

SPECIFICATIONS

Features/Benefits

- Requires Gerber Treysta® Rough-In, G00GS50 Series (Horizontal Inputs) or G00GS52 Series (Vertical Inputs), Sold Separately
- Includes Treysta® Ceramic Disc Pressure Balance Cartridge
- Includes Lemora® Single Function Showerhead, D460234 (1.75 gpm) or D460134 (2.0 gpm)
- 1.75 gpm (6.6 L/min) Max Flow @ 80 psi (D501534TC)
- 2.0 gpm (7.6 L/min) Max Flow @ 80 psi (D502534TC)
- 6" Metal Shower Arm
- Finish-Matched Deep Wall Kit, D113001, Sold Separately
- Finish-Matched Shallow Wall Kit, GA663B11, Sold Separately



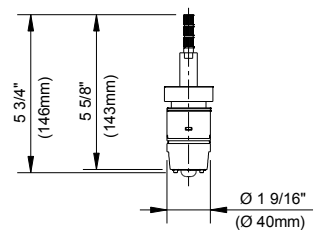
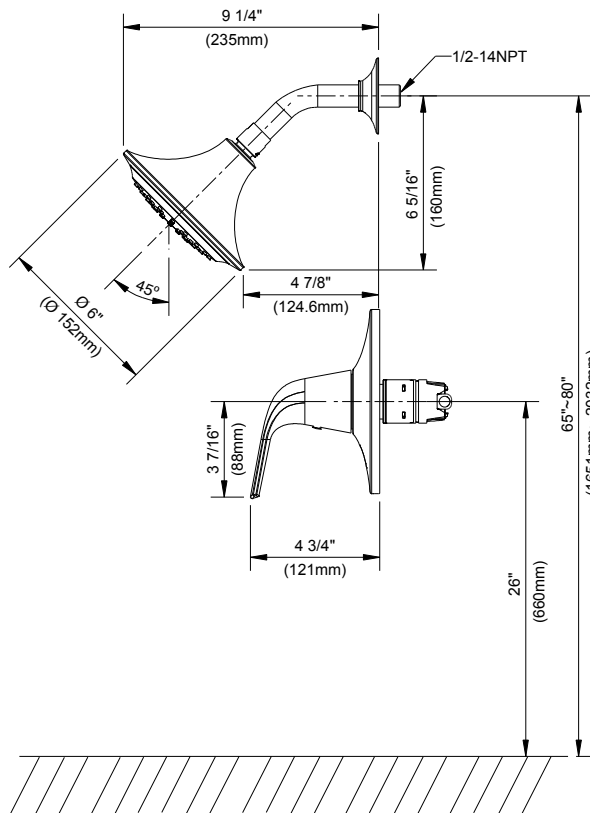
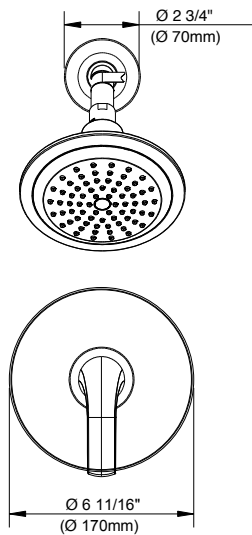
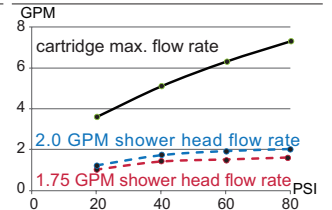
Available Color/Finishes

Chrome
Please see gerber-us.com or current price list for available finishes. Finish is defined by additional suffix.

Standards & Certifications



Flow Rate



Submittal Information:

Name: _____ Contractor: _____
Location: _____ Contact #: _____