

**SPECIFICATIONS**



**Features/Benefits**

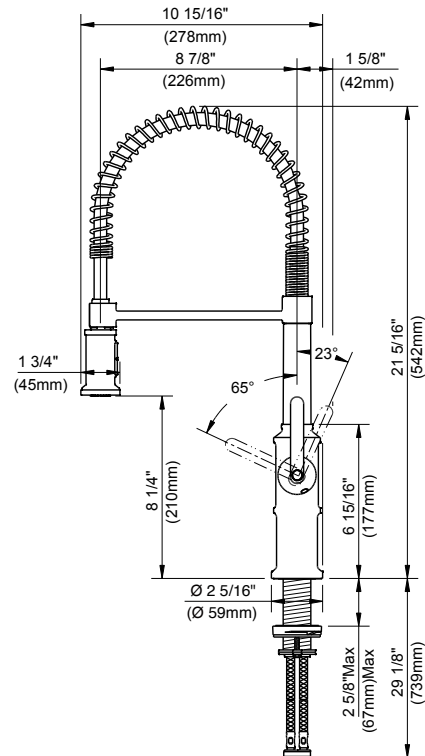
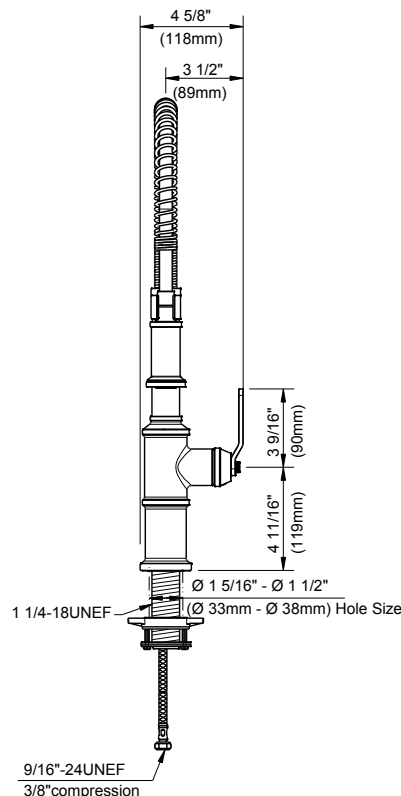
- Spring-Action Spray Wand
- 21 5/16" Spout Height, 8 7/8" Spout Reach
- 1.75gpm (6.6 L/min) Standard Using GA56804750N Spray Head
- Alternative Flow Rates Available with Spray / Aerated Water Stream
  - 1.5 gpm (5.7 L/min) When Used with GA56804752N Spray Head
- Twist-Action 2 Function Spray / Aerated Stream
- Ceramic Disc Cartridge
- 360 Degree Swivel Spout
- Single Hole Installation
- Optional Deck Plate, DA665051 Sold Separately for 3-Hole Applications

**Available Color/Finishes**

**Chrome**

Please see [gerberonline.com](http://gerberonline.com) or current price list for available finishes. Finish is defined by additional suffix.

**Standards & Certifications**



**Submittal Information:**

Name: \_\_\_\_\_  
 Location: \_\_\_\_\_

Contractor: \_\_\_\_\_  
 Contact #: \_\_\_\_\_