

## SPECIFICATIONS

### AERATOR KIT 1.75 GPM

#### Description

- Flow rate at 1.75 gallon per minute
- Female or male thread available
- Insert provided by Neoperl (see the number in brackets below)
- Rolling printed "A112.18.1M, 1.75 GPM / 6.6 LPM Max"
- Pressure compensating between 20 psi and 80 psi

#### Standards

MEETS ASME  
A112.18.1M

- ASME A112.18.1M

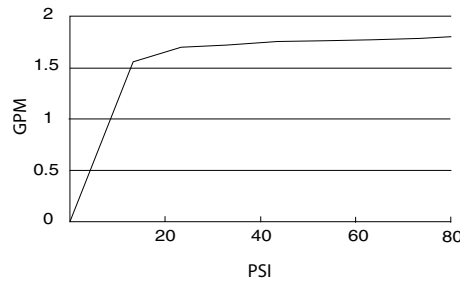
#### Warranty

Danze products are covered by a manufacturer's limited "lifetime" warranty for manufacturing defects.

#### Model Numbers:

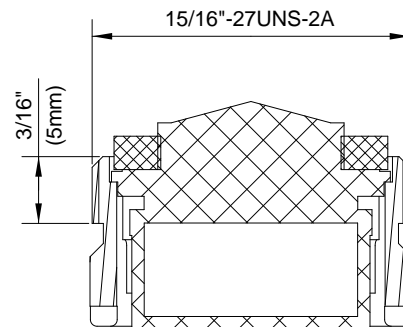
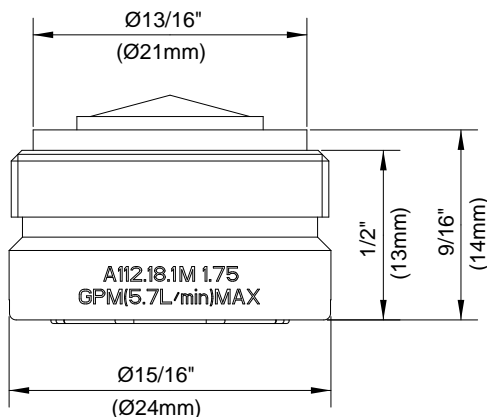
<b>DA500184N (42.3061.0.000)</b>	1.75 GPM, junior, male, bubble, no wrench included
<b>DA500186N (40.2061.0.0001)</b>	1.75 GPM, standard, female, bubble, no wrench included
<b>DA500210N (40.2061.0.0001)</b>	1.75 GPM, standard, male, bubble, no wrench included
<b>DA500188N (40.2061.0.0001)</b>	1.75 GPM, standard, female, bubble, no wrench included
<b>DA613086N (40.2061.0.0001)</b>	1.75 GPM, standard, male, bubble
<b>DA613085N (42.3061.0.000)</b>	1.75 GPM, junior, male, bubble
<b>DA613087N (31.2013.1)</b>	1.75 GPM, standard, female, bubble
<b>DA613089N (31.2013.1)</b>	1.75 GPM, junior, male, bubble
<b>DA613088N (31.2013.1)</b>	1.75 GPM, standard, male, bubble

#### Flow Rate



#### Finishes Available

- Chrome
- Other: Refer to Price List for additional finish



#### Submittal Information:

Job Name: \_\_\_\_\_  
Contractor: \_\_\_\_\_

Location: \_\_\_\_\_  
Contact #: \_\_\_\_\_