

SPECIFICATIONS

FLORIN™ FIVE-FUNCTION HANDSHOWER

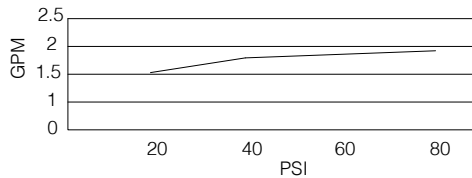
Model

D462038

Description

- 5 functions: wide, centerjet, aeration, massage and wide + centerjet
- Easy clean jets
- Easy glide selector ring
- Dual Valve™ technology
- 2.0gpm (7.6 L/min) maximum flow rate @80psi

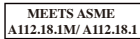
Flow Rate



Standards



• UPC/cUPC



• ASME A112.18.1M/ A112.18.1

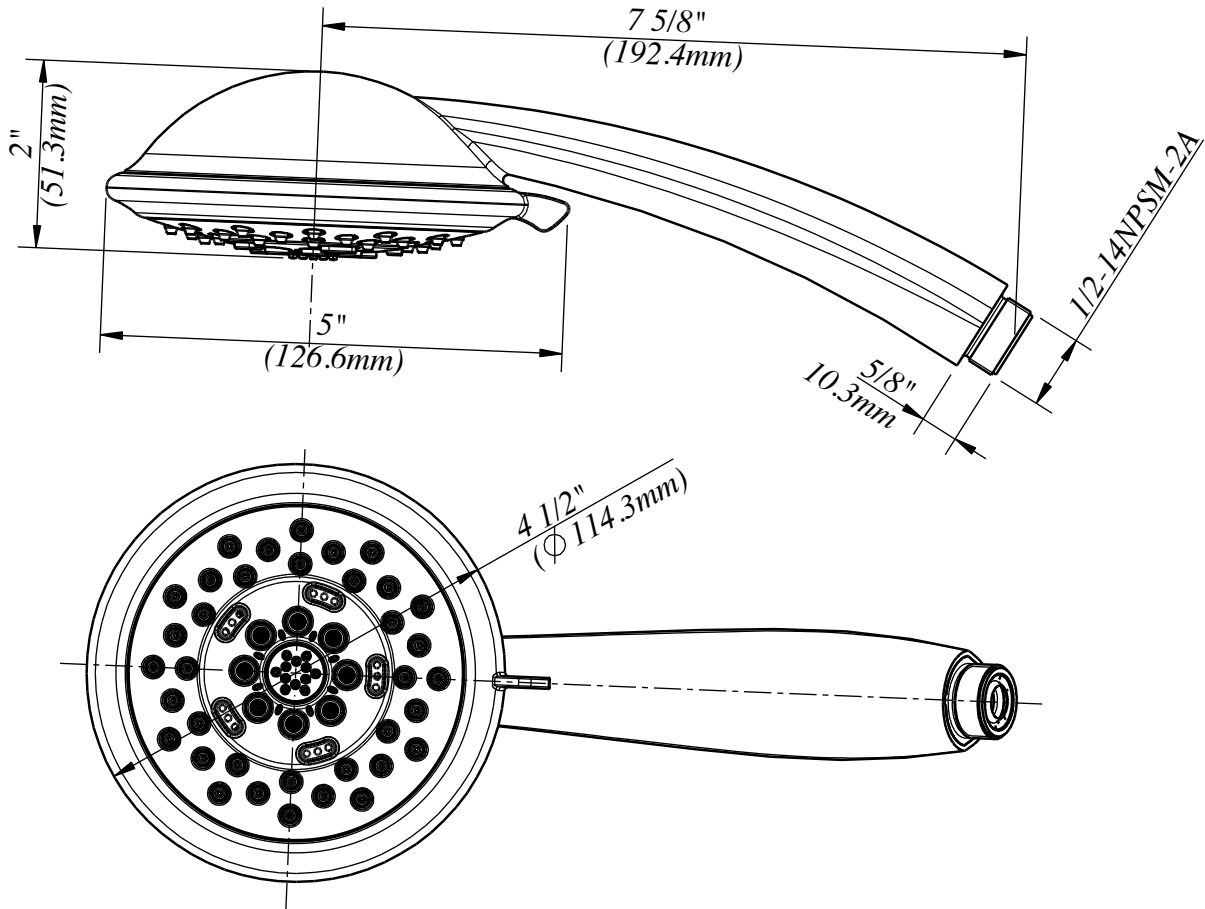
• WaterSense Pending

Finishes Available

- Chrome
- Other: Refer to Price List for additional finish

Warranty

Danze products are covered by a manufacturer's limited "lifetime" warranty for manufacturing defects.



Submittal Information:

Job Name: _____

Location: _____

Contractor: _____

Contact #: _____