

SPECIFICATIONS



Features/Benefits

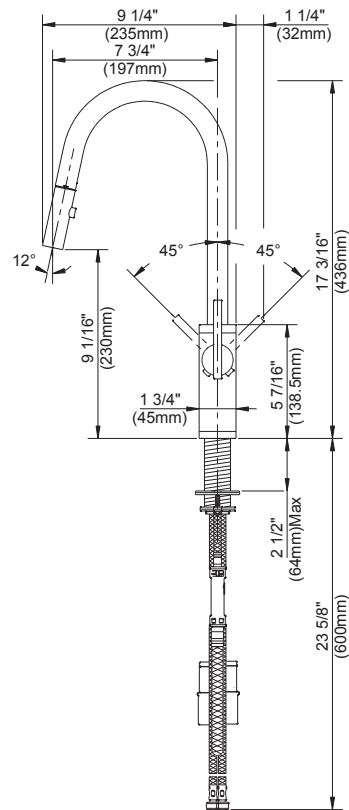
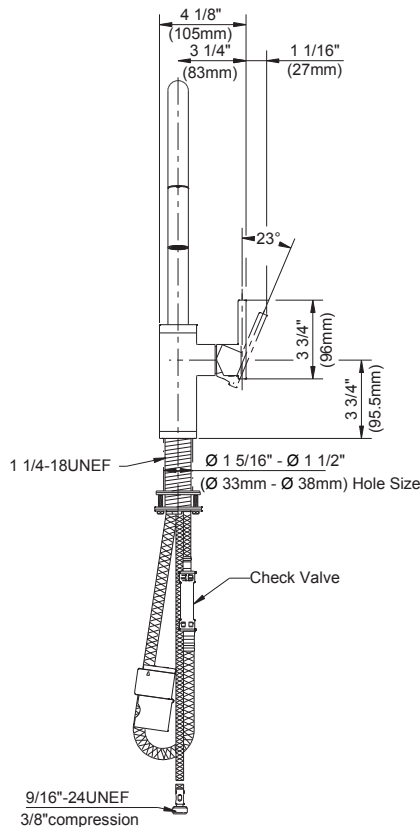
- SnapBack® Retraction System
- Easily Adjustable GripLock® Weight
- 17 1/4" Spout Height, 7 3/4" Spout Reach
- 1.75 gpm (6.6 L/min) Standard Using DA52802354N Spray Head
 - 1.5 gpm (5.7 L/min) When Used with GA52802350N Spray Head
- 2 Function Spray / Aerated Stream
- Ceramic Disc Cartridge
- 360 Degree Swivel Spout
- Single Hole Installation
- Optional Deck Plate, DA665051, Sold Separately

Available Color/Finishes

Chrome

Please see gerberonline.com or current price list for available finishes. Finish is defined by additional suffix.

Standards & Certifications



Submittal Information:

Name: _____
 Location: _____

Contractor: _____
 Contact #: _____