

**SPECIFICATIONS**

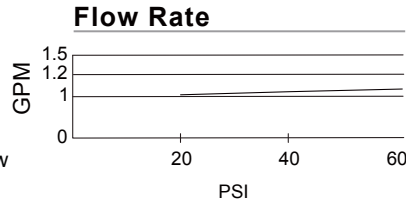
**AMALFI™ TWO HANDLE CENTERSET LAVATORY FAUCET**

**Model**

D301130

**Description**

- Ceramic disc valves
- 7 7/8" high spout, 3 3/4" spout length, laminar flow
- Includes 50/50 touch down drain DA505219P with color-matching flange and cap and black tailpiece
- 3 hole mount
- 1.2gpm (4.5L/min) maximum flow rate @60 psi
- Meets CEC Requirement



**Standards**



NSF/ANSI 372

- NSF/ANSI 372

MEETS ASME A112.18.1M/A112.18.1

- ASME A112.18.1M/A112.18.1



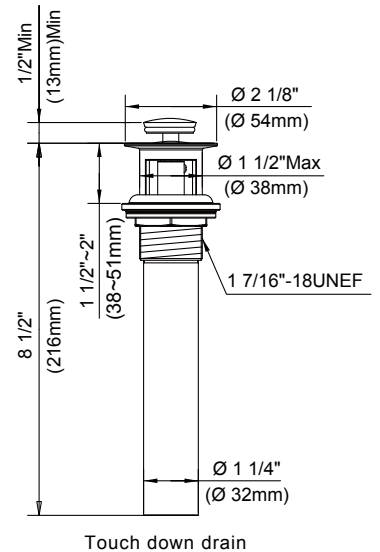
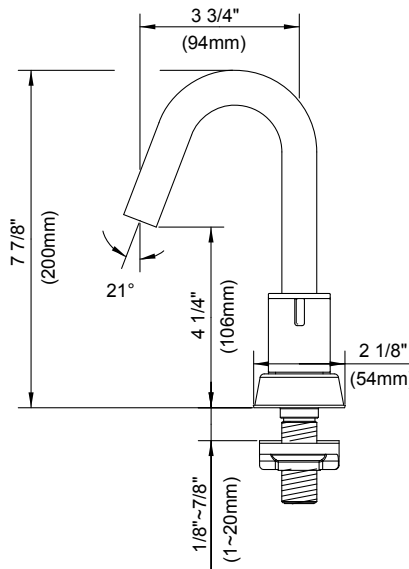
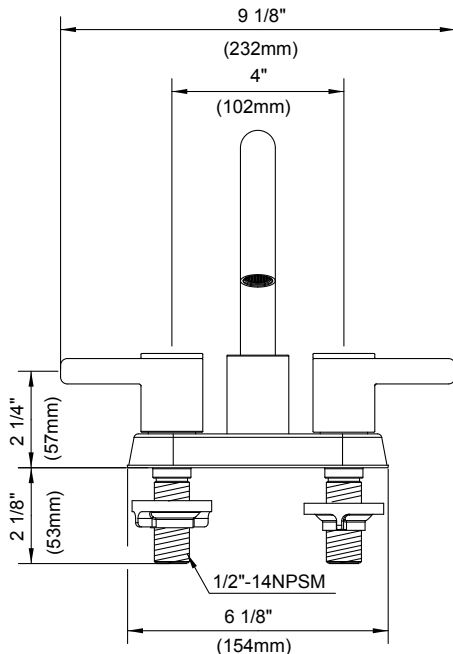
- ADA Accessibility Guidelines for Buildings and Facilities - 309.4 Operation for Operable Parts

**Warranty**

Danze products are covered by a manufacturer's limited "lifetime" warranty for manufacturing defects.

**Finishes Available**

- Chrome
- Other: Refer to Price List for additional finish



Submittal Information:

Job Name: \_\_\_\_\_

Location: \_\_\_\_\_

Contractor: \_\_\_\_\_

Contact #: \_\_\_\_\_