

SPECIFICATIONS

AMALFI™ TRIM ONLY FOR TWO HANDLE ROMAN TUB FAUCET

Model

D300930T

Description

- High-rise solid brass spout
- Slip spout mounting
- Use with valve: D210000BT (fixed) or D215000BT (widespread)

Standards



• UPC/cUPC

• Energy Policy Act of 1992



• ADA Accessibility Guidelines for Buildings and Facilities - 4.27.4 Controls and Mechanisms

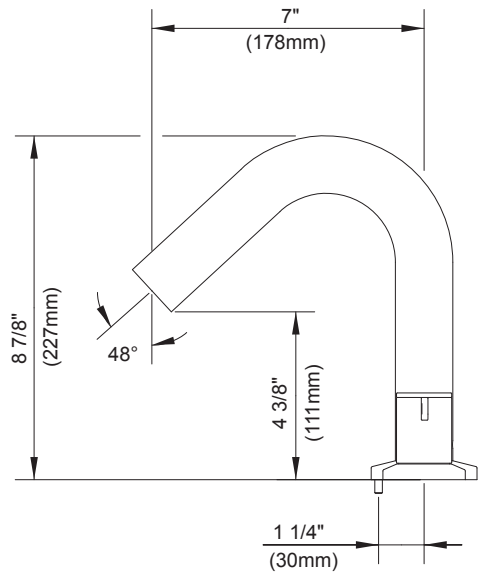
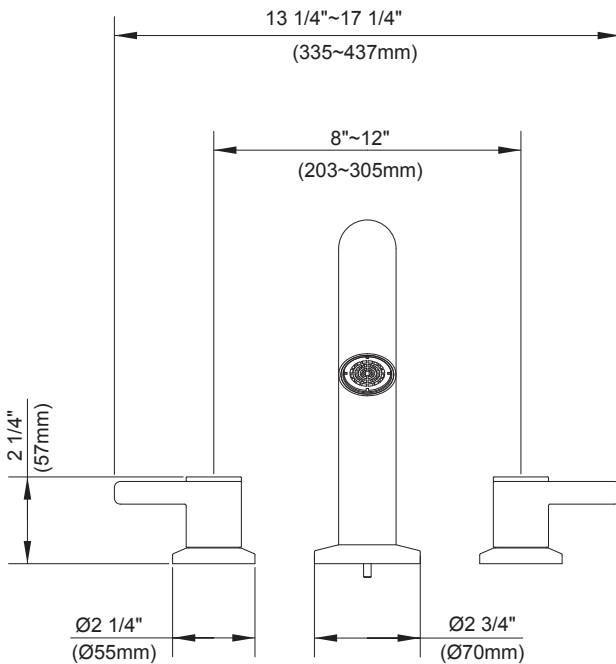
Warranty

Danze products are covered by a manufacturer's limited "lifetime" warranty for manufacturing defects.



Finishes Available

- Chrome
- Other: Refer to Price List for additional finish



Submittal Information:

Job Name: _____

Location: _____

Contractor: _____

Contact #: _____