

## SPECIFICATIONS



### Features/Benefits

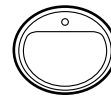
- 1.2 gpm (4.5 L/min) Max Flow @ 60 psi with Laminar Water Stream
- Alternative Flow Rates Available with Spray Water Stream
  - 1.0 gpm (3.8 L/min) When Used with DA613094N Aerator
  - 0.5 gpm (1.9 L/min) When Used with DA613093N Aerator
- 4 3/8" Spout Height, 4 7/8" Spout Reach
- Ceramic Disc Cartridge
- Includes Metal Touch-Down Drain Assembly
- Single Hole Mount
- Optional Deck Plate Included
- Optional Temperature Indicator Included

### Available Color/Finishes

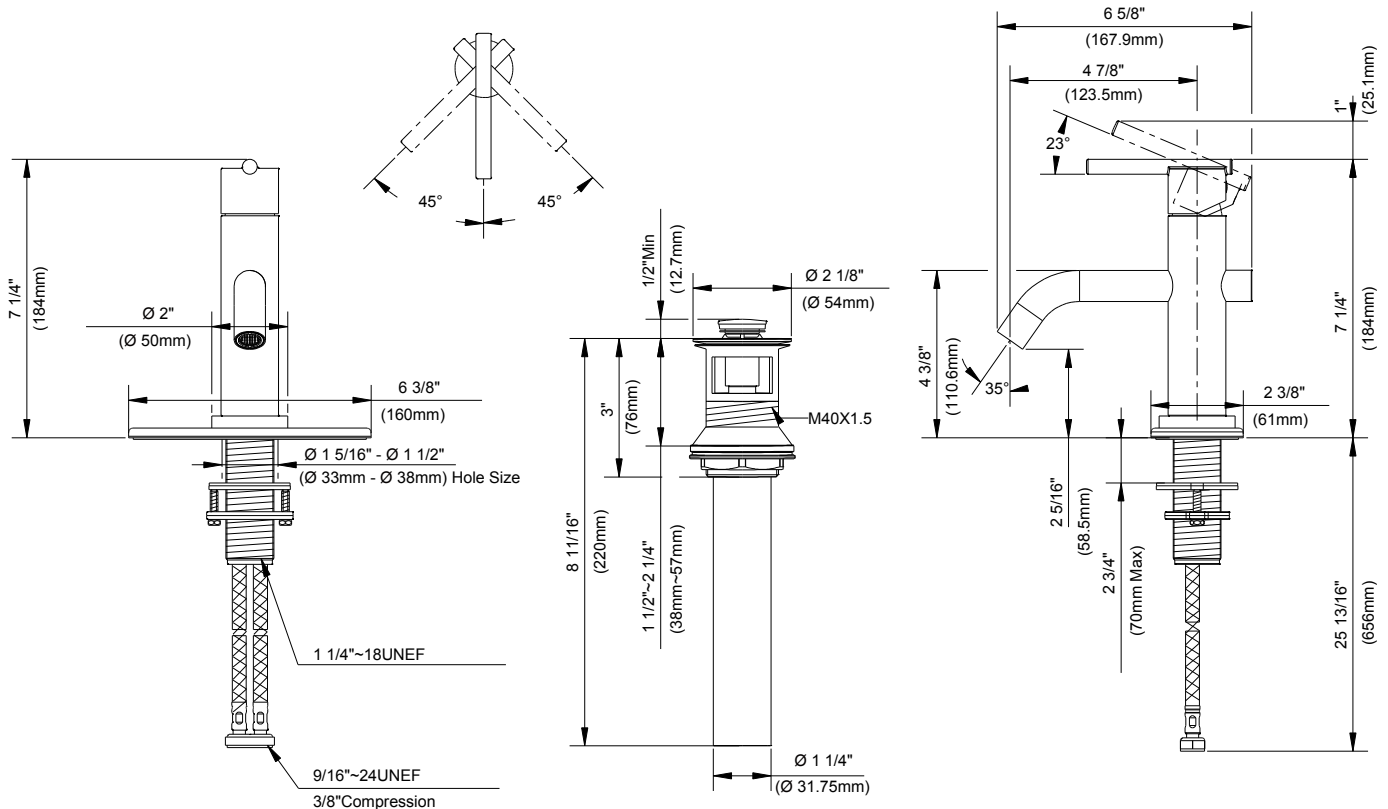
Chrome

Please see [gerberonline.com](http://gerberonline.com) or current price list for available finishes. Finish is defined by additional suffix.

### Mount Type



### Standards & Certifications



### Submittal Information:

Name: \_\_\_\_\_  
 Location: \_\_\_\_\_

Contractor: \_\_\_\_\_  
 Contact #: \_\_\_\_\_