

**SPECIFICATIONS**

**Features/Benefits**

- 1.2 gpm (4.5 L/min) Max Flow @ 60 psi
- Features a Clear, Natural Ribbon Water Stream
- 13" High Swivel Spout, 5 1/2" Spout Reach
- Ceramic Disc Cartridge
- Includes Metal Grid Strainer Drain, with Cover, with or without Overflow
- Single Hole Mount
- Optional Deck Plate, DA607568, Sold Separately
- Optional Temperature Indicator Included

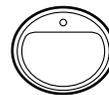


**Available Color/Finishes**

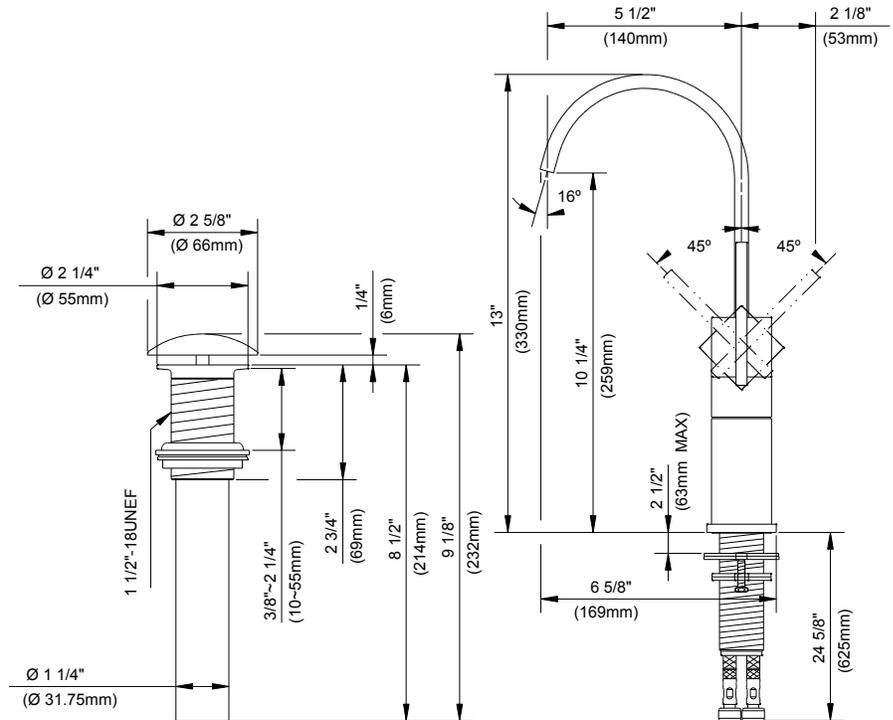
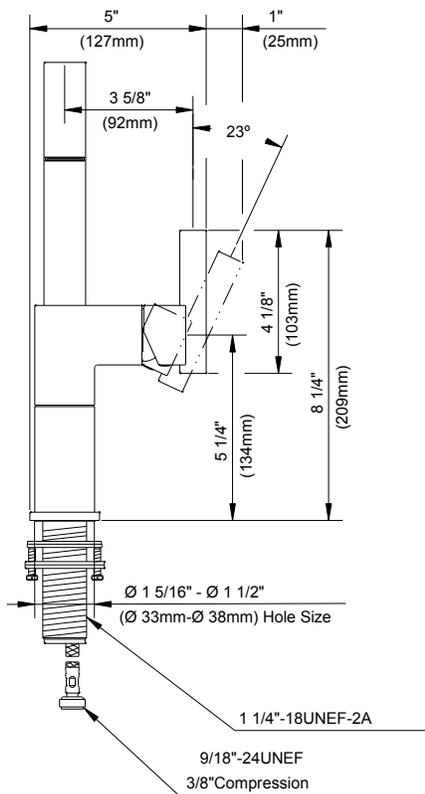
Color	Description
	Chrome

Please see danze.com or current price list for available finishes. Finish is defined by additional suffix.

**Mount Type**



**Standards & Certifications**



**Submittal Information:**

Name: \_\_\_\_\_  
Location: \_\_\_\_\_

Contractor: \_\_\_\_\_  
Contact #: \_\_\_\_\_

**WARRANTY:** Danze products are covered by a manufacturer's lifetime limited warranty for manufacturing defects.

Danze, Inc., 2500 Internationale Parkway, Woodridge, IL 60517, USA [www.danze.com](http://www.danze.com)