

SPECIFICATIONS

Features/Benefits



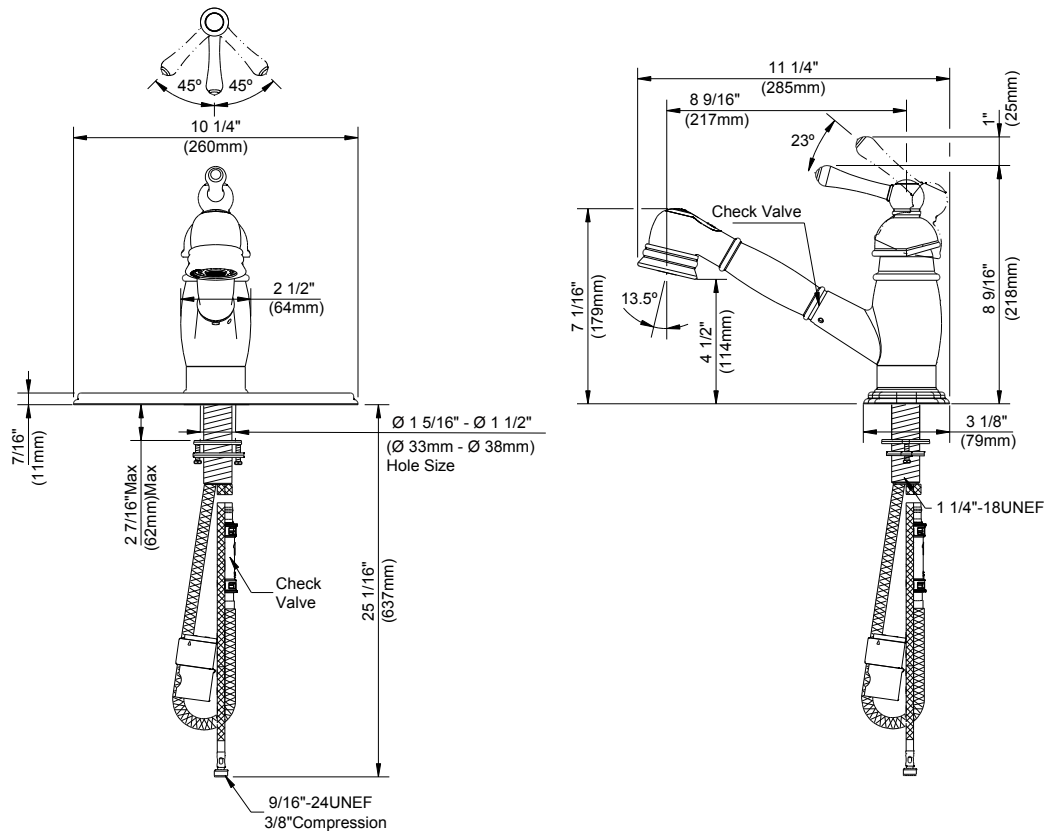
- SnapBack® Retraction System
- Easily Adjustable GripLock® Weight
- 7 1/16" Spout Height, 8 9/16" Spout Reach
- 1.75 gpm (6.6 L/min) Max Flow @ 60 psi (Sprayhead DA52316754N)
- 1.5 gpm (5.7 L/min) Max Flow @ 60 psi (Sprayhead DA52316755N)
- 2 Function Spray/Aerated Stream
- Ceramic Disc Cartridge
- 120 Degree Swivel Spout
- Single Hole Installation
- Optional Deck Plate Included

Available Color/Finishes

Chrome

Please see gerberonline.com or current price list for available finishes. Finish is defined by additional suffix.

Standards & Certifications



Submittal Information:

Name: _____
Location: _____

Contractor: _____
Contact #: _____