



42-110 Series Maxwell®

Two Handle Kitchen Faucet



Features:

- Chrome plated cover plate
- Acrylic handles with hot and cold index buttons
- Ceramic disc cartridges
- Working parts can be easily replaced
- 8" D-tube spout
- 8" centers for mounting
- 2.2 gpm (8.3 L/min) maximum aerator at 60 psi
- 1/2" NPSM supply connection w/brass supply nuts
- Lead free waterways per CA AB 1953

Technical Specifications:

- ASME A112.18.1M
- CSA B125
- ANSI/NSF 61
- IAPMO/UPC
- CA AB 1953

Catalog Numbers:

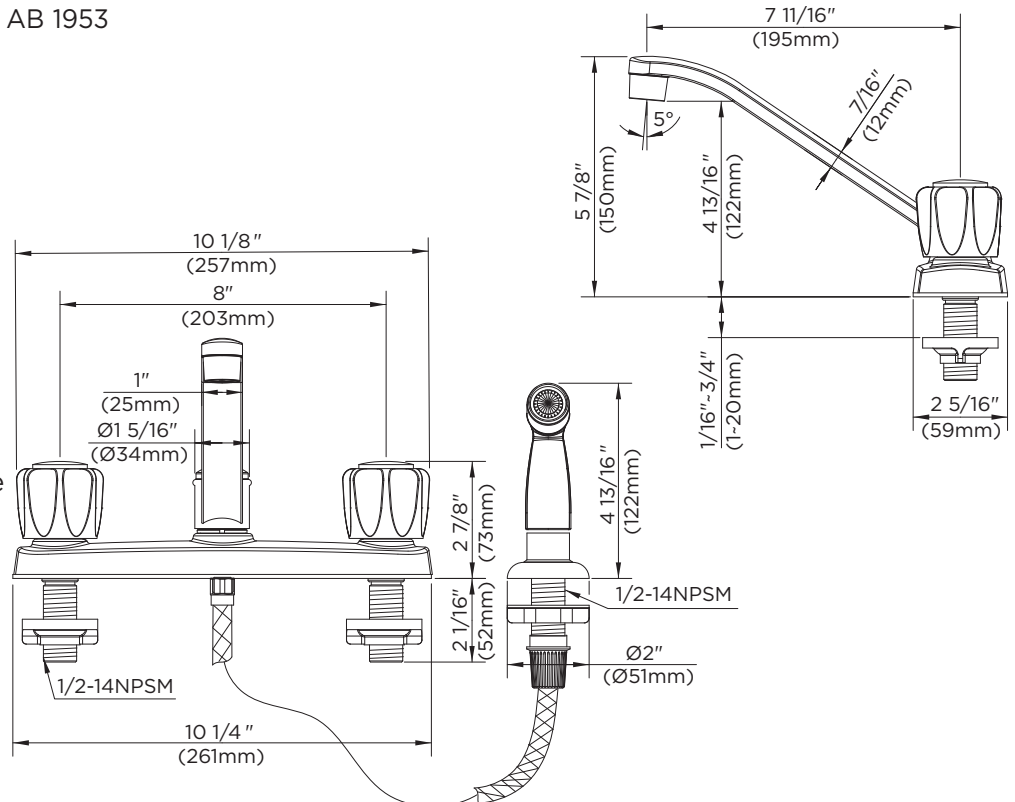
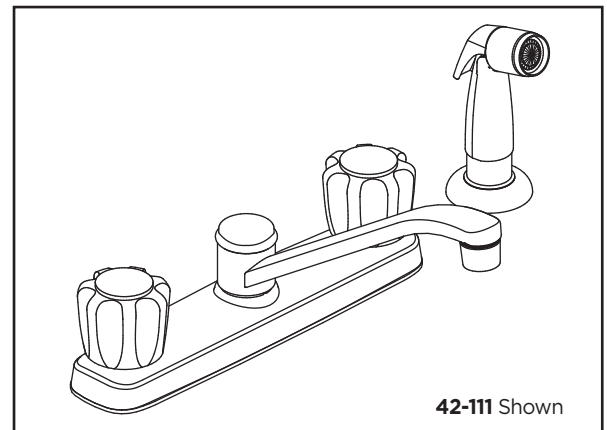
- 42-110** Less Spray, Chrome
- 42-111** With Spray, Chrome

Prefixes Available:

None

Suffixes Available:

None



Job Name	
Date	
Model Specified	
Quantity	
Customer	
Contractor	
Architect/engineer	

Gerber Toll Free Technical Support: 888-648-6466
www.gerberonline.com