



60-220 Series Bath Accessories Hospitality Series

Features:

Grab Bars:

- Stainless steel construction for durability
- Institutional grab bars in 1 1/4" diameter
- 1 1/2" from wall per ADA guidelines
- 250 lbs. weight capacity per ADA guidelines
- Installation screws concealed with flanges
- Additional toggle screws included for ease of installation

Robe Hooks and Toilet Paper Holders:

- Simple contemporary styling
- Set screw less mechanism
- Template included for easy installation

Technical Specifications:

- ANSI A117.1 (Grab Bars only)

Catalog Numbers:

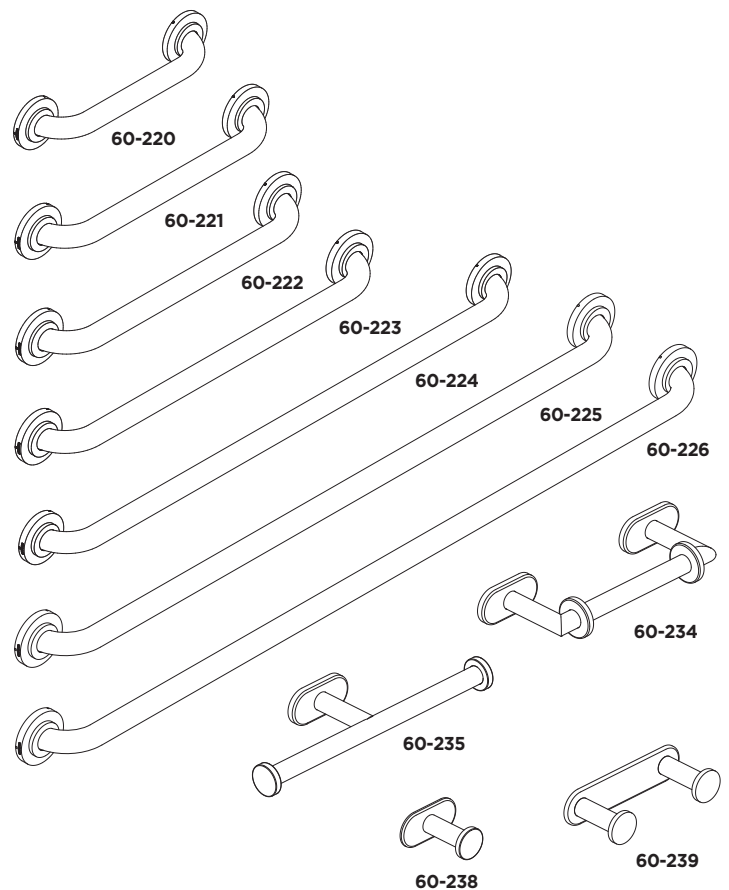
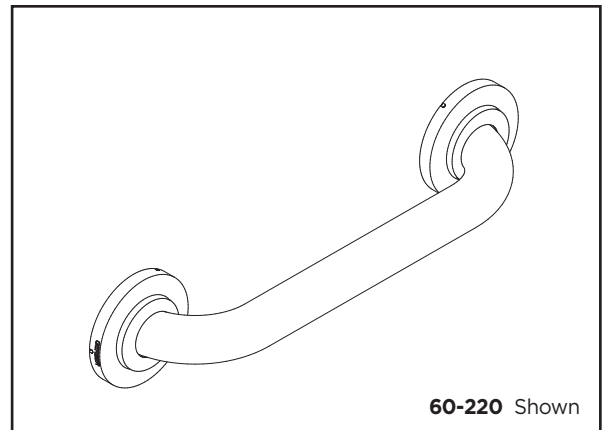
- | | | | |
|--------------------------|---------------|-----------------|---|
| 1. Grab bar 1 1/4" x 12" | 60-220 | Chrome | ♿ |
| 2. Grab bar 1 1/4" x 16" | 60-221 | Chrome | ♿ |
| 3. Grab bar 1 1/4" x 18" | 60-222 | Chrome | ♿ |
| 4. Grab bar 1 1/4" x 24" | 60-223 | Chrome | ♿ |
| 5. Grab bar 1 1/4" x 36" | 60-224 | Chrome | ♿ |
| 6. Grab bar 1 1/4" x 42" | 60-225 | Chrome | ♿ |
| 7. Grab bar 1 1/4" x 48" | 60-226 | Chrome | ♿ |
| 8. Toilet Paper Holders | 60-234 | Single - Chrome | |
| | 60-235 | Double - Chrome | |
| 9. Robe Hooks | 60-238 | Single - Chrome | |
| | 60-239 | Double - Chrome | |

Prefixes Available:

None

Suffixes Available

None



Job Name	
Date	
Model Specified	
Quantity	
Customer	
Contractor	
Architect/engineer	

Gerber Toll Free Technical Support: 888-648-6466
www.gerberonline.com



60-220 Series Bath Accessories Hospitality Series

