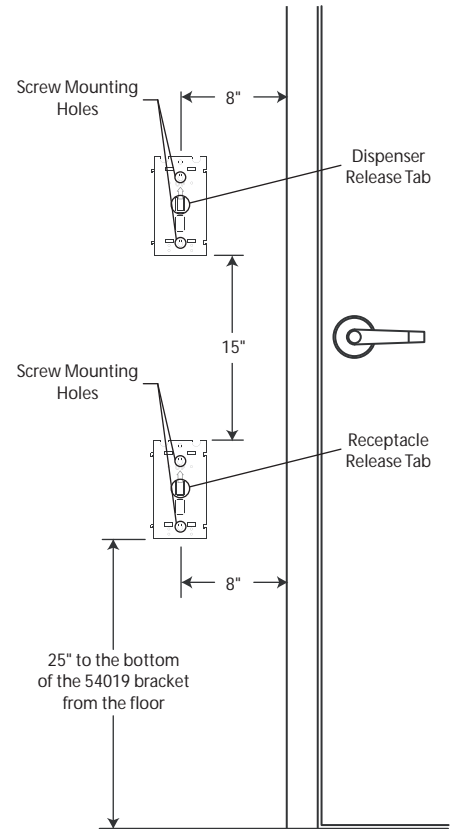
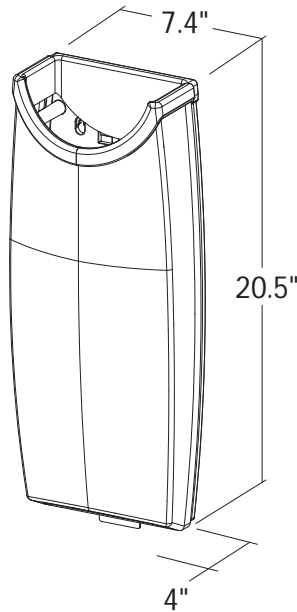
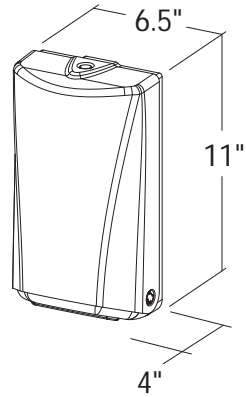
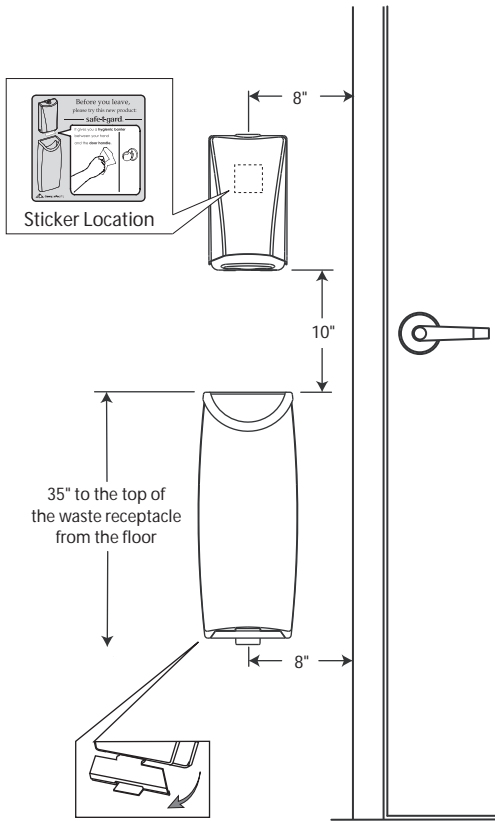


Specification Sheet: 59508, 59513, 59502

Safe-T-Gard™ Dispenser Specification and Mounting Sheet



54019 Mounting Bracket Location

When liner is not used, pull release tab located on the bottom of trash can to empty waste

Dispenser Location

Overall Dimensions:

Dispenser: 6.5"W x 11"H x 4"D
Receptacle: 7.4"W x 20.5"H x 4"D

Overall Weight:

Dispenser: 1.0 lbs. (436 g)
Receptacle: 2.2 lbs. (997 g)

Capacity:

The dispenser accepts two full packages of Georgia-Pacific SKU #10440 Safe-T-Gard™ tissue. The dimensions of the tissue are 4" W x 10" L. The capacity of the waste receptacle is approximately 2.1 gallons.

Specifications:

The dispenser and waste receptacle are constructed of low maintenance, impact resistant polymer materials. Georgia-Pacific SKU #54019 mounting bracket is the recommended method of mounting the dispenser and waste receptacle to the wall, and is included with each dispenser.

The mounting bracket has a release tab that allows the dispenser and waste receptacle to be removed from the wall for easy cleaning and emptying of waste. There is a decorative waste liner retainer included with the waste receptacle. This retainer allows a standard 17" x 18" LLD or HMWHD can liner to be used with the dispenser.

Warning: Safe-T-Gard™ is intended to be mounted only beside the door. Placement on the door itself may subject the user to liability for infringement of United States Patent 6,508,383; Lidahl, et al. Door Sanitation System, January 21, 2003.



GRAPHIC GUIDELINES

DIGITAL DOCUMENT. NOT DESIGNED FOR PRINTING.

DRAWN BY: NM

DATE: 04/24/2020

GEORGIA-PACIFIC CONSUMER PRODUCTS LP

THIS DOCUMENT IS THE PROPERTY OF GEORGIA-PACIFIC CONSUMER PRODUCTS LP. THE CONTENTS ARE CONFIDENTIAL AND CONSTITUTE TRADE SECRETS PROPRIETARY TO GEORGIA-PACIFIC CONSUMER PRODUCTS LP. NEITHER THIS DOCUMENT NOR ITS CONTENTS SHALL BE DISCLOSED TO ANY UNAUTHORIZED PERSON, COPIED OR PUBLISHED WITHOUT GEORGIA-PACIFIC CONSUMER PRODUCTS LP PRIOR WRITTEN CONSENT. COPYRIGHT GEORGIA-PACIFIC LP

DESCRIPTION:

SPEC SHEET, SAFE-T-GARD

DOCUMENT #:

PRT-0000000813

REV.

A

REVISIONS

ER	DESCRIPTION	DATE	CHECKED BY	REV
2417	RELEASE	04/24/20	ST	A

