

# Charleston Pendant

5191004, 5291004 | 1.0

## GENERATION LIGHTING PENDANT

### GENERAL PRODUCT INFORMATION:

These fixtures are intended to be installed utilizing NEC compliant junction boxes.

This product is safety listed for damp locations.

Incandescent version may be dimmed with a standard incandescent dimmer. LED version may be dimmed with a LED dimmer. Consult lamp manufacturer for additional information.

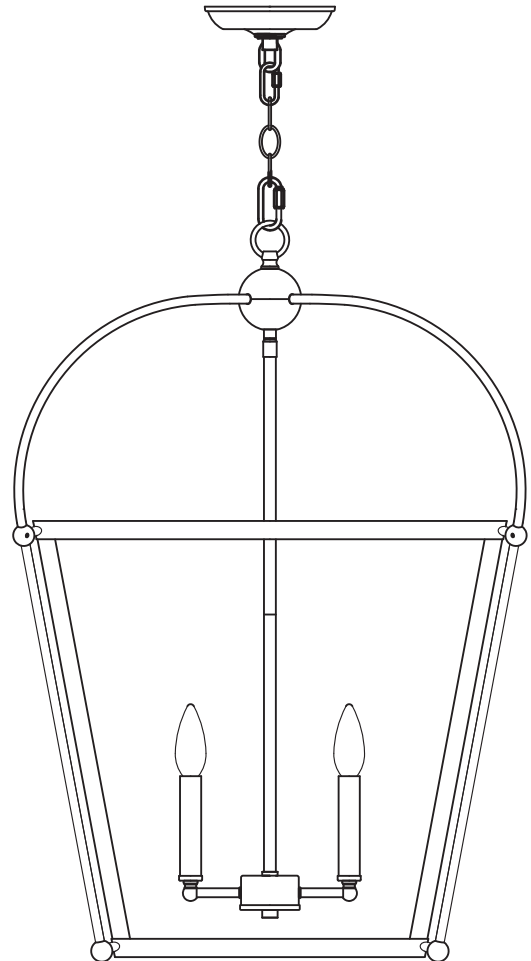
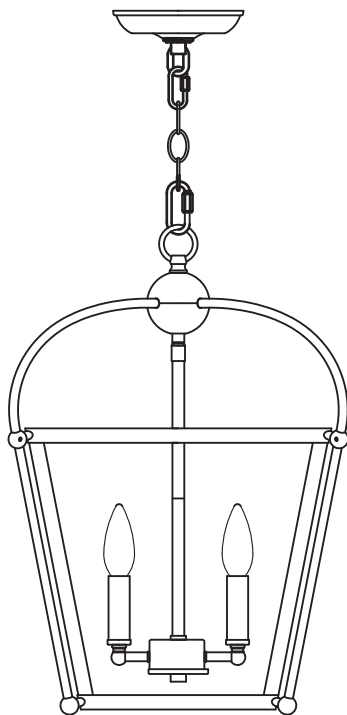
This instruction shows a typical installation.

### CAUTION - RISK OF FIRE

This product must be installed in accordance with the applicable installation code by a person familiar with the construction and operation of the product and the hazards involved.

Use minimum 90°c supply conductors.

**SAVE THESE INSTRUCTIONS!**



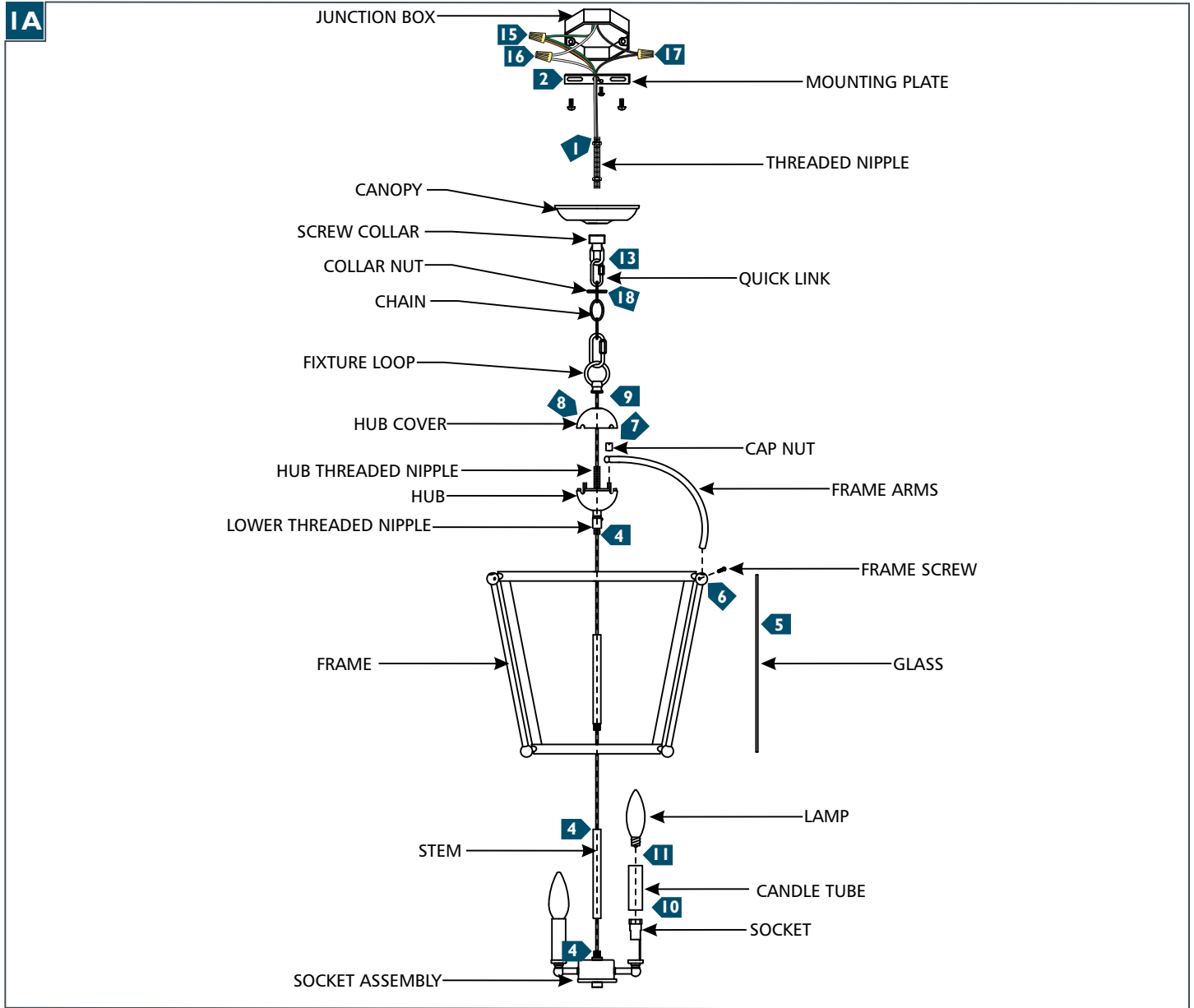
GENERATION LIGHTING

7400 Linder Ave., Skokie, IL 60077

T 847.410.4400 | F 847.410.4500

www.generationlighting.com

# Install the Fixture



- 1** Screw the shorter end of the threaded nipple tightly onto the mounting plate.
- 2** Secure the mounting plate to the junction box.
- 3** Temporarily unscrew and remove the collar nut and screw the screw collar tightly onto the threaded nipple.
- 4** Feed the wires through the stems and lower threaded nipple and screw them together, then screw them to socket assembly.
- 5** Slide the glass into the frame.
- 6** Install the fixture arms onto the frame using the frame screws.
- 7** Place the fixture frame over the socket/stem assembly, align and install the fixture arms onto the hub, secure them in place with the cap nuts.
- 8** Feed the fixture wire through the hub cover over and place it over the hub.
- 9** Feed the fixture wires through the fixture loop and screw it onto the hub threaded nipple.
- 10** Install the candle tubes by sliding them over the sockets.
- 11** Screw the lamps into the sockets. Refer to the label on the socket for Max Wattage information.
- 12** Determine the wanted height of the fixture and remove a portion of the chain by opening a link from the top.
- 13** Install the canopy and the collar nut onto the chain (in that order) then install the fixture assembly onto the screw collar using a quick link.
- 14** Weave the cord through the chain, screw collar, canopy, threaded nipple, and out of the junction box. Trim the cord leaving enough to make electrical connections.
- 15** Connect the fixture to a suitable ground in accordance to local electrical codes.
- 16** Connect the white fixture wire (square and/or rigid) to the neutral power line wire with a wire nut.
- 17** Connect the black fixture wire (round and/or smooth) to the hot power line wire with a wire nut.
- 18** Neatly place all the wires into the junction box, place the canopy onto the ceiling, and secure it in place by screwing the collar nut tightly onto the screw collar.