

Windom 3 & 4 Light Wall

4402803, 4402804 | 1.0

GENERATION LIGHTING WALL

SAVE THESE INSTRUCTIONS!

CAUTION - RISK OF FIRE
This product must be installed in accordance with the applicable installation code by a person familiar with the construction and operation of the product and the hazards involved.
Use minimum 90°c supply conductors.

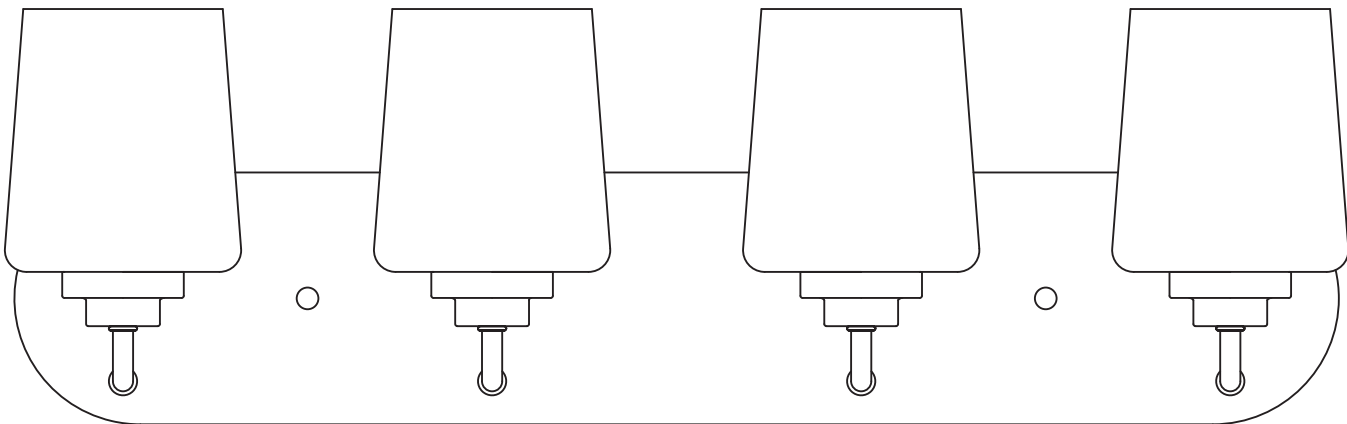
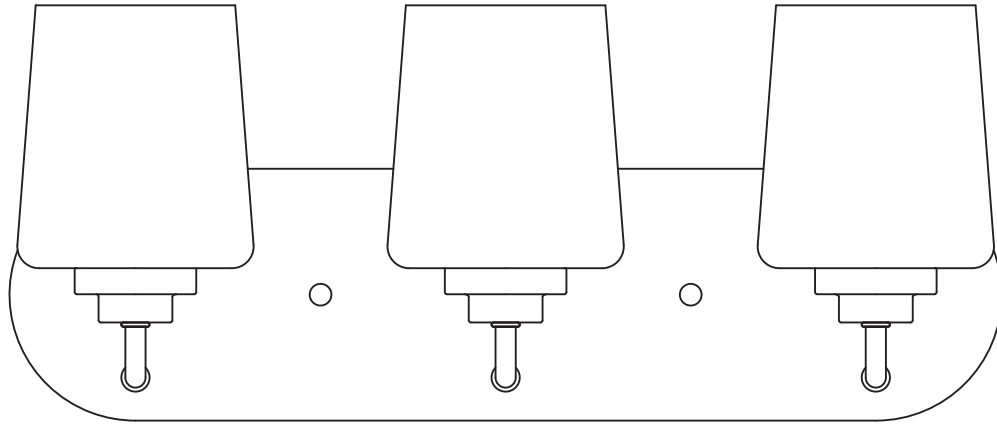
GENERAL PRODUCT INFORMATION:

These fixtures are intended to be installed utilizing NEC compliant junction boxes.

This product is safety listed for damp locations.

Incandescent version may be dimmed with a standard incandescent dimmer. LED version may be dimmed with a LED dimmer. Consult lamp manufacturer for additional information.

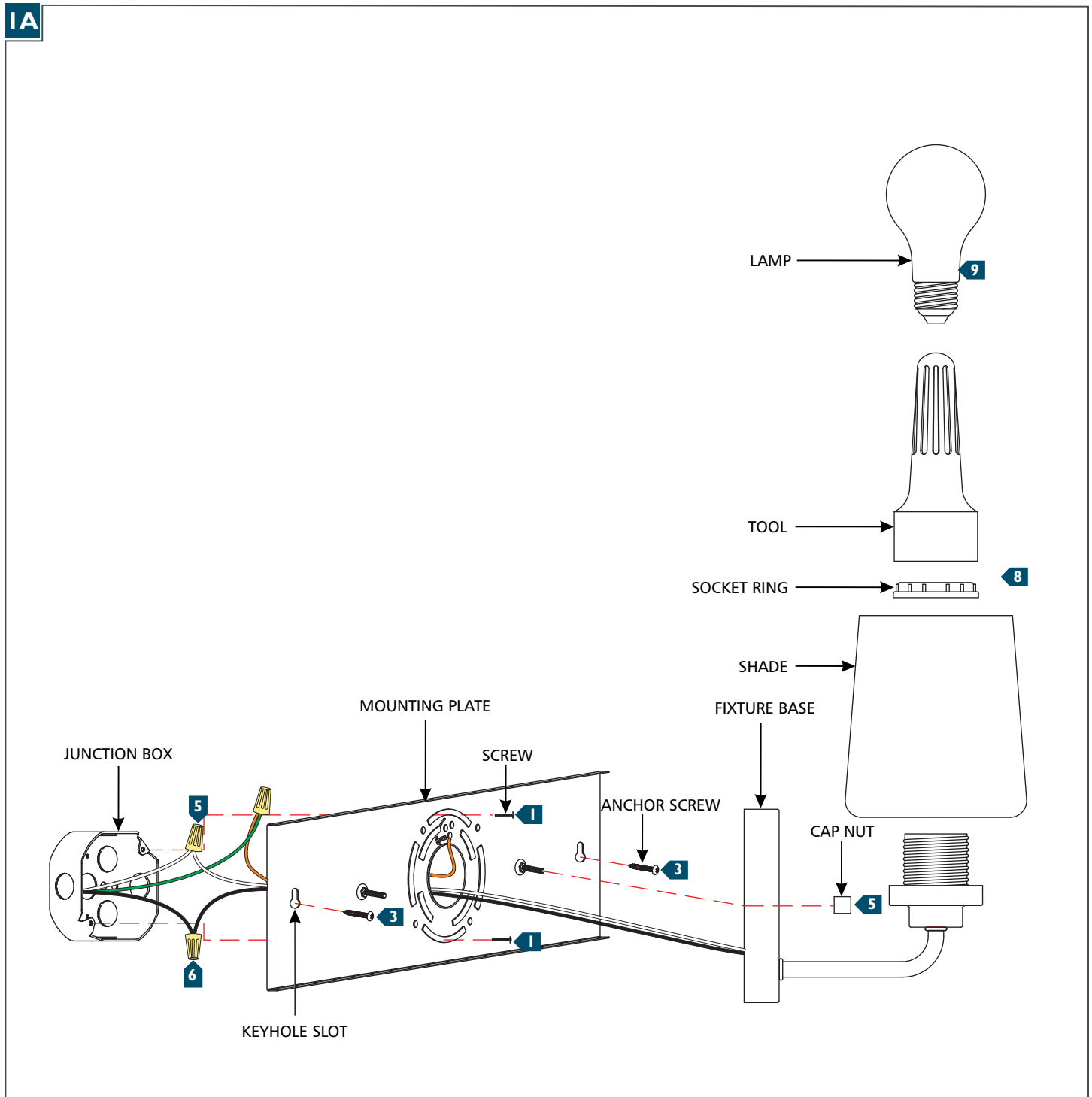
This instruction shows a typical installation.



GENERATION LIGHTING
7400 Linder Ave., Skokie, IL 60077
T 847.410.4400 | F 847.410.4500
www.generationlighting.com

Install the Fixture

IA



- 1 Temporarily install the mounting plate to the junction box.
- 2 Ensure the mounting plate is level and mark the location of the keyhole slots then remove the mounting plate.
- 3 Install drywall anchors at the marked locations and reinstall the mounting plate with the provided anchor screws.
- 4 Connect the fixture to a suitable ground in accordance to local electrical codes.
- 5 Connect the white fixture wire (square and/or rigid) to the neutral power line wire with a wire nut.
- 6 Connect the black fixture wire (round and/or smooth) to the hot power line wire with a wire nut.
- 7 Neatly place all the wires into the junction box, place the fixture base onto the mounting plate, and secure it in place with cap nuts.
- 8 Slide the shade over the socket, then used the socket ring and tool to secure the shade to the fixture base.
- 9 Screw the lamp into the socket. Refer to the label on the socket for Max Wattage Information.