

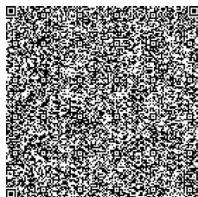
FREDRICKSBURG SMALL & LARGE ONE LIGHT OUTDOOR WALL LANTERNS

8547701; 8647701

General Product Information



WARRANTY



FCC STATEMENT

Tools Required



Safety Information

CAUTION-RISK OF FIRE

This product must be installed in accordance with the applicable installation code by a person familiar with the construction and operation of the product and the hazards involved.

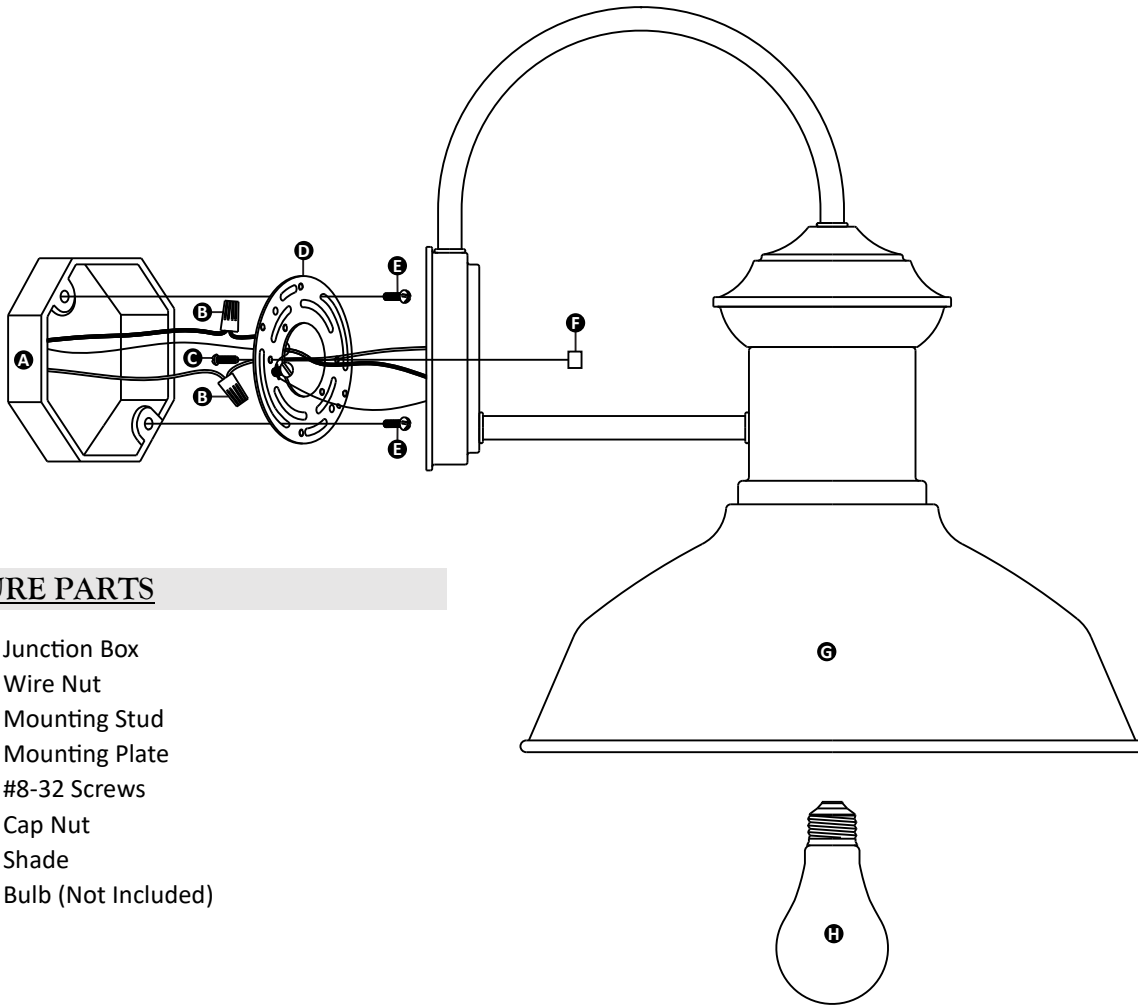
USE MINIMUM 90°C SUPPLY CONDUCTORS.



Turn off electrical current at the source before working with any lighting fixture or portable lamp.

Install and use this product in adherence with local electrical codes and regulations.





FIXTURE PARTS

- A. Junction Box
- B. Wire Nut
- C. Mounting Stud
- D. Mounting Plate
- E. #8-32 Screws
- F. Cap Nut
- G. Shade
- H. Bulb (Not Included)

INSTRUCTIONS

I. Preparing the Fixture

1. Secure the mounting plate to the junction box with the #8-32 screws.

II. Wiring the Fixture

1. Connect the fixture to a suitable ground in accordance with local electrical codes.
2. Connect the following wires using a wire nut:
 - a) White fixture wire to the neutral power line wire.
 - b) Black fixture wire to the hot power line wire.
3. Tuck all wires into the junction box.

III. Installing the Fixture

1. Place the fixture base onto the two mounting studs and secure it with the cap nuts.
2. Screw the lamp into the socket. Refer to the label on the socket for Max Wattage Information.
3. For wet locations, caulk around the base of the fixture with waterproof construction sealant.