

# Belton Flush Mount

7514503 | 1.1

## GENERATION LIGHTING CEILING

### GENERAL PRODUCT INFORMATION:

These fixtures are intended to be installed utilizing NEC compliant junction boxes.

This product is safety listed for damp locations.

Incandescent version may be dimmed with a standard incandescent dimmer. LED version may be dimmed with a LED dimmer. Consult lamp manufacturer for additional information.

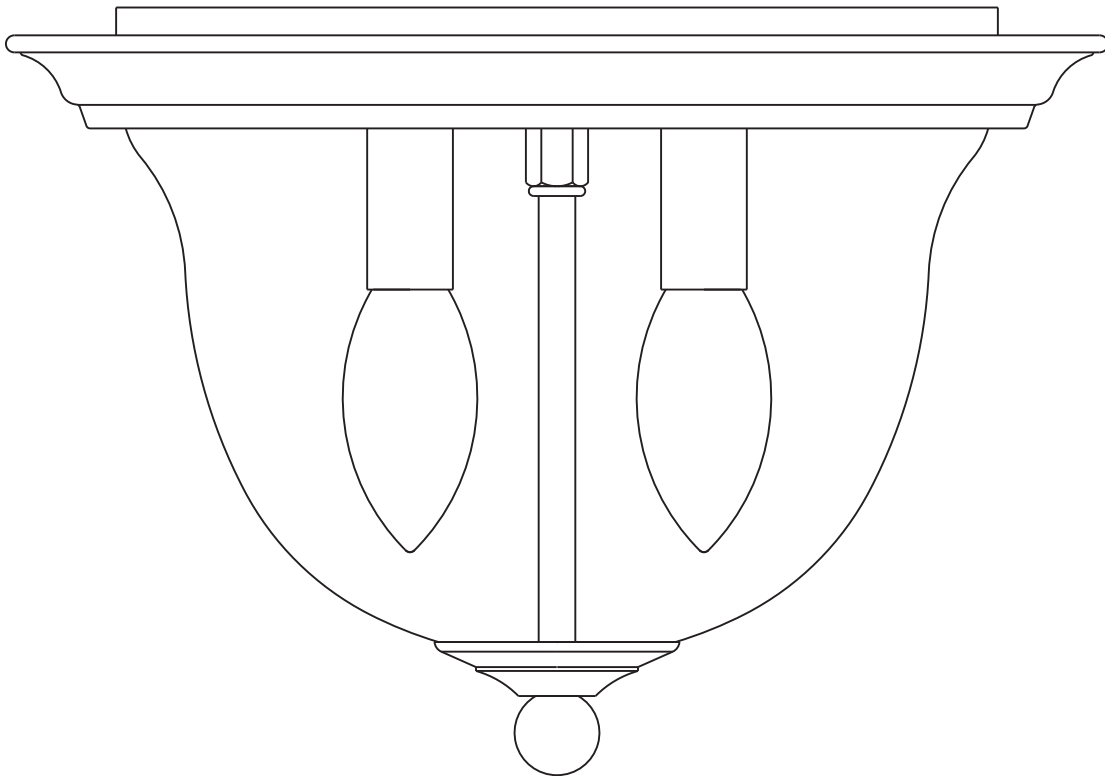
This instruction shows a typical installation.

### SAVE THESE INSTRUCTIONS!

#### CAUTION - RISK OF FIRE

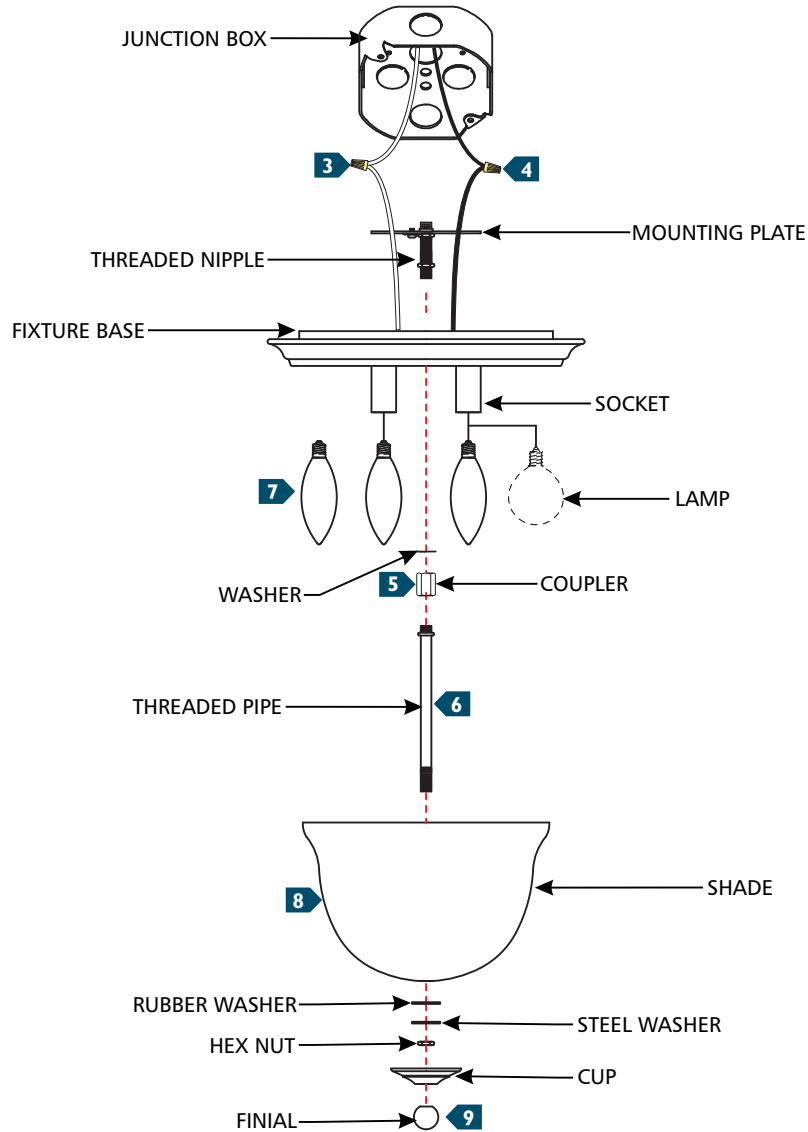
This product must be installed in accordance with the applicable installation code by a person familiar with the construction and operation of the product and the hazards involved.

Use minimum 90°c supply conductors.



## Install the Fixture

1A



- 1 Secure the mounting plate to the junction box.
- 2 Connect the fixture ground wire to a suitable ground with accordance to local electrical codes.
- 3 Connect the white fixture wire to the neutral power line wire with a wire nut.
- 4 Connect the black fixture wire to the hot power line wire with a wire nut.
- 5 Mount the fixture base and washer onto the threaded nipple, then secure them in place by screwing the coupler onto the threaded nipple.
- 6 Screw the threaded pipe to the bottom of the fixture.
- 7 Screw the lamps into the sockets. Refer to the label on the socket for Max Wattage information.
- 8 Place the shade, rubber washer, and steel washer onto the threaded pipe, then secure them in place by screwing the hex nut onto the pipe.
- 9 Place the cup onto the threaded pipe and secure it in place by screwing the finial onto the pipe.