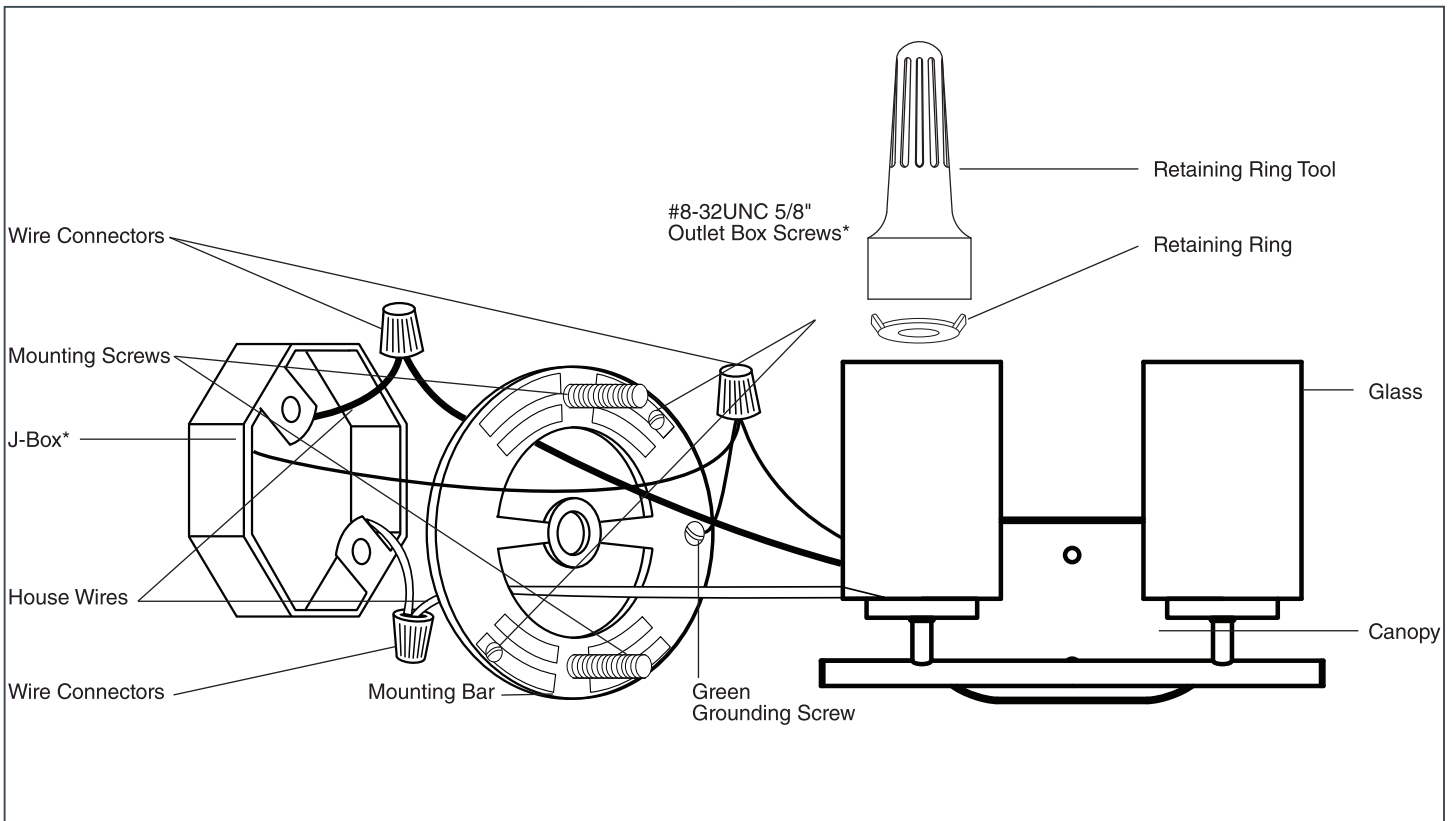


Wall**1.0**GENERATION LIGHTING
WALL**SAVE THESE INSTRUCTIONS!****CAUTION - RISK OF FIRE**

This product must be installed in accordance with the applicable installation code by a person familiar with the construction and operation of the product and the hazards involved.

Use minimum 90°C supply conductors.

**Before You Begin**

Carefully remove the fixture from the carton and check that all parts are included, as shown in figure 1. Be careful not to misplace any of the screws or parts which are needed to install this fixture.

Installation

1. Thread fixture mounting screws through universal mounting plate. Run screws all the way down to their heads.
2. Secure universal mounting plate to outlet box with outlet box screws (not supplied).
3. A. Use a listed wire connector to connect the fixture hot wire (black wire, or round and smooth tracer) to the supply hot wire.
B. Use a listed wire connector to connect the fixture common wire (white wire, or square and rigid) to the supply common wire.
C. Gently try to remove the wires from the connector. If you can remove the wires, carefully re-do the wiring connection.
4. **Grounding Instructions:** Connect the supply ground wire, fixture ground wire, and mounting bar ground wire (pre attached) using the supplied wiring connector. Gently try to remove the wires from the connector. If you can remove the wires, carefully re-do the wiring connection.

Final Assembly

1. Make sure no bare wires can be seen outside wire connectors.
2. After wires are connected, tuck them carefully inside outlet box. Push the canopy firmly over the mounting screws and against the wall. Secure canopy in place by threading cap nuts onto mounting screws.
3. Place glass onto socket and secure in place by threading retaining ring to socket.
4. Install lamps (not supplied).

GENERATION LIGHTING
7400 Linder Ave., Skokie, IL 60077
T 847.410.4400 | F 847.410.4500
www.generationlighting.com