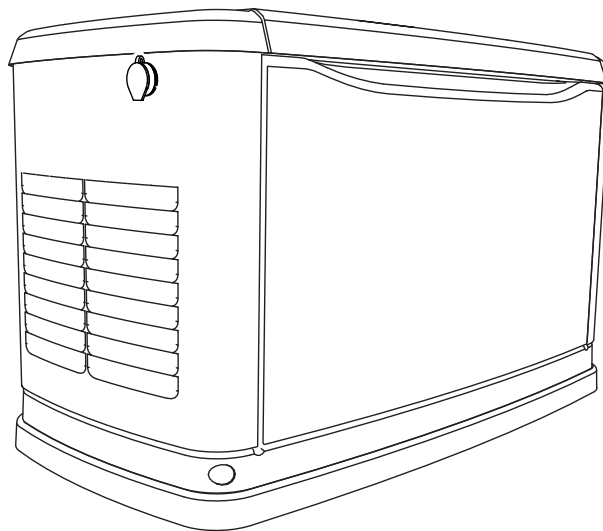


## Owner's Manual 60 Hz Air-Cooled Generators

10 kW to 24 kW



### **⚠ WARNING**

Loss of life. This product is not intended to be used in a critical life support application. Failure to adhere to this warning could result in death or serious injury. (000209b)

Register your Generac product at:  
[WWW.GENERAC.COM](http://WWW.GENERAC.COM)  
1-888-GENERAC  
(888-436-3722)

Para español, visita: <http://www.generac.com/service-support/product-support-lookup>

Pour le français, visiter : <http://www.generac.com/service-support/product-support-lookup>

**SAVE THIS MANUAL FOR FUTURE REFERENCE**

**Use this page to record important information about this generator.**

|                  |  |
|------------------|--|
| Model:           |  |
| Serial:          |  |
| Production Date: |  |
| Volts:           |  |
| LPV Amps:        |  |
| NG Amps:         |  |
| Hz:              |  |
| Phase:           |  |
| Controller P/N:  |  |
| STA MAC ID:      |  |
| SSID:            |  |

Record the information found on the unit data label on this page. See **General Information** for the location of the unit data label. The unit has a label plate affixed to the inside partition, to the left of the control panel console as shown in **Figure 2-1**, **Figure 2-2**, or **Figure 2-3**. See **Operation** for directions on how to open the top lid and remove the front panel.

Always supply the complete model and serial numbers of the unit when contacting an Independent Authorized Service Dealer (IASD) about parts and service.

**Operation and Maintenance:** Correct maintenance and care of the unit ensures a minimum number of problems, and keeps operating expenses at a minimum. It is the operator's responsibility to perform all safety inspections, to verify all maintenance for safe operation is performed promptly, and to have the equipment inspected periodically by an IASD. Normal maintenance, service, and replacement of parts are the responsibility of the owner/operator and are not considered defects in materials or workmanship within the terms of the warranty. Individual operating habits and usage may contribute to the need for additional maintenance or service.

When the generator requires servicing or repairs, Generac recommends contacting an IASD for assistance. Authorized service technicians are factory-trained and are capable of handling all service needs. To locate the nearest IASD, please visit the dealer locator at:

[www.generac.com/Dealer-Locator](http://www.generac.com/Dealer-Locator).

|  |
|--|
|  <b>WARNING</b><br><b>CANCER AND REPRODUCTIVE HARM</b><br><a href="http://www.P65Warnings.ca.gov">www.P65Warnings.ca.gov</a><br>(000393a) |
|--|

# Table of Contents

## **Section 1: Safety Information**

|                                   |   |
|-----------------------------------|---|
| <b>Introduction</b> .....         | 1 |
| Read This Manual Thoroughly ..... | 1 |
| <b>Safety Rules</b> .....         | 1 |
| How to Obtain Service .....       | 1 |
| <b>General Hazards</b> .....      | 2 |
| <b>Exhaust Hazards</b> .....      | 3 |
| <b>Electrical Hazards</b> .....   | 3 |
| <b>Fire Hazards</b> .....         | 3 |
| <b>Explosion Hazards</b> .....    | 4 |
| <b>Battery Hazards</b> .....      | 4 |

## **Section 2: General Information**

|   |    |
|---|----|
| <b>Generator Components and Control Locations</b> ..... | 7  |
| <b>Data Decals</b> .....                                | 10 |
| <b>Specifications</b> .....                             | 11 |
| Generator .....   | 11 |
| Engine .....  | 11 |
| <b>Protection Systems</b> .....                         | 12 |
| <b>Emissions</b> .....                                  | 12 |
| <b>Fuel Requirements</b> .....                          | 12 |
| <b>Battery Requirements</b> .....                       | 12 |
| <b>Battery Charger</b> .....                            | 12 |
| <b>Engine Oil Requirements</b> .....                    | 12 |
| <b>Activating the Generator</b> .....                   | 13 |
| <b>Wi-Fi Module</b> .....                               | 13 |
| <b>Replacement Parts</b> .....                          | 13 |
| <b>Accessories</b> .....                                | 13 |

## **Section 3: Operation**

|   |    |
|---|----|
| <b>Site Prep Verification</b> .....                   | 15 |
| <b>Generator Enclosure</b> .....                      | 15 |
| Opening the Lid .....                                 | 15 |
| Front Access Panel Removal .....                      | 15 |
| Intake Side Panel Removal .....                       | 16 |
| Main Line Circuit Breaker (Generator Disconnect) .... | 16 |
| LED Indicator Lights .....                            | 16 |
| <b>Auxiliary Shutdown Switch</b> .....                | 17 |
| <b>Control Panel Interface</b> .....                  | 17 |
| <b>Using the AUTO/OFF/MANUAL Buttons</b> .....        | 17 |
| <b>Operating Modes</b> .....                          | 18 |
| <b>Interface Menu Displays</b> .....                  | 18 |
| LCD Panel .....                                       | 18 |

|  |    |
|--|----|
| <b>Menu System Navigation</b> .....  | 19 |
| <b>Setting the Exercise Timer</b> .....  | 21 |
| <b>Battery Charger</b> .....   | 21 |
| <b>Manual Transfer Operation</b> .....   | 21 |
| Transfer to Generator Power Source .....   | 21 |
| Transfer to Utility Power Source .....   | 22 |
| <b>Automatic Transfer Operation</b> .....  | 22 |
| <b>Automatic Sequence of Operation</b> .....   | 22 |
| Utility Failure .....  | 22 |
| Cranking .....   | 22 |
| Cold Smart Start .....   | 22 |
| Cleaning Cycle .....   | 22 |
| Load Transfer .....  | 23 |
| <b>Shutting Generator Down While Under Load<br/>or During a Utility Outage</b> ..... | 23 |

## **Section 4: Maintenance**

|  |    |
|--|----|
| <b>Maintenance</b> .....                               | 25 |
| <b>Preparing for Maintenance</b> .....                 | 25 |
| <b>Performing Scheduled Maintenance</b> .....          | 25 |
| <b>Service Schedule</b> .....                          | 26 |
| Maintenance Log .....                                  | 26 |
| <b>Checking Engine Oil Level</b> .....                 | 27 |
| Engine Oil Requirements .....                          | 27 |
| <b>Changing the Oil and Oil Filter</b> .....           | 27 |
| <b>Servicing the Air Cleaner</b> .....                 | 28 |
| <b>Spark Plug(s)</b> .....                             | 29 |
| <b>Valve Clearance Adjustment</b> .....                | 29 |
| Checking Valve Clearance .....                         | 29 |
| Adjusting Valve Clearance .....                        | 30 |
| <b>Battery Maintenance</b> .....                       | 30 |
| Inspecting the Battery .....                           | 31 |
| <b>Cleaning the Sediment Trap</b> .....                | 32 |
| <b>Post Maintenance Checks</b> .....                   | 32 |
| Performing Fuel System Leak Test .....                 | 33 |
| <b>Attention After Submersion</b> .....                | 33 |
| <b>Corrosion Protection</b> .....                      | 33 |
| <b>Remove From and Return To Service Procedure</b> ... | 33 |
| Remove From Service .....                              | 33 |
| Return to Service .....                                | 34 |

## **Section 5: Troubleshooting / Quick Reference Guide**

|  |    |
|--|----|
| <b>Generator Troubleshooting</b> ..... | 35 |
| <b>Quick Reference Guide</b> .....     | 37 |

**This page intentionally left blank.**

# Section 1: Safety Information

## Introduction

Thank you for purchasing this compact, high performance, air-cooled, engine-driven generator. It is designed to automatically supply electrical power to operate critical loads during a utility power failure.

This unit is factory installed in an all-weather, metal enclosure intended exclusively for outdoor installation. This generator will operate using either vapor withdrawn liquid propane (LP) or natural gas (NG).

**NOTE:** This generator is suitable for supplying typical residential loads such as induction motors (sump pumps, refrigerators, air conditioners, furnaces, etc.), electronic components (computer, monitor, TV, etc.), lighting loads, and microwaves, when sized correctly. This unit is equipped with a Wi-Fi<sup>®</sup> module, which allows the generator owner to monitor generator status from anywhere they have Internet access.

**NOTE:** Wi-Fi<sup>®</sup> is a registered trademark of Wi-Fi Alliance<sup>®</sup>.

The information in this manual is accurate based on products produced at the time of publication. The manufacturer reserves the right to make technical updates, corrections, and product revisions at any time without notice.

## Read This Manual Thoroughly



Consult Manual. Read and understand manual completely before using product. Failure to completely understand manual and product could result in death or serious injury. (000100a)

If any section of this manual is not understood, contact the nearest Independent Authorized Service Dealer (IASD) or Generac Customer Service at 1-888-436-3722 (1-888-GENERAC), or visit [www.generac.com](http://www.generac.com) for starting, operating, and servicing procedures. The owner is responsible for correct maintenance and safe use of the unit.

This manual must be used in conjunction with all other supporting product documentation supplied with the product.

SAVE THESE INSTRUCTIONS for future reference. This manual contains important instructions that must be followed during placement, operation, and maintenance of the unit and its components. Always supply this manual to any individual that will use this unit, and instruct them on how to correctly start, operate, and stop the unit in case of emergency.

## Safety Rules

The manufacturer cannot anticipate every possible circumstance that might involve a hazard. The alerts in this manual, and on tags and decals affixed to the unit, are not all inclusive. If using a procedure, work method, or operating technique that the manufacturer does not specifically recommend, verify that it is safe for others and does not render the equipment unsafe.

Throughout this publication, and on tags and decals affixed to the unit, DANGER, WARNING, CAUTION, and NOTE blocks are used to alert personnel to special instructions about a particular operation that may be hazardous if performed incorrectly or carelessly. Observe them carefully. Alert definitions are as follows:



Indicates a hazardous situation which, if not avoided, will result in death or serious injury.

(000001)



Indicates a hazardous situation which, if not avoided, could result in death or serious injury.

(000002)



Indicates a hazardous situation which, if not avoided, could result in minor or moderate injury.

(000003)

**NOTE:** Notes contain additional information important to a procedure and will be found within the regular text of this manual.

These safety alerts cannot eliminate the hazards that they indicate. Common sense and strict compliance with the special instructions while performing the action or service are essential to preventing accidents.

## How to Obtain Service

When the unit requires servicing or repairs, contact Generac Customer Service at 1-888-GENERAC (1-888-436-3722) or visit [www.generac.com](http://www.generac.com) for assistance.

When contacting Generac Customer Service about parts and service, always supply the complete model and serial number of the unit as given on its data decal located on the unit. Record the model and serial numbers in the spaces provided on the front cover of this manual.

## General Hazards

**⚠ DANGER**

Loss of life. Property damage. Installation must always comply with applicable codes, standards, laws and regulations. Failure to do so will result in death or serious injury. (000190)

**⚠ DANGER**

Automatic start-up. Disconnect utility power and render unit inoperable before working on unit. Failure to do so will result in death or serious injury. (000191)



**⚠ WARNING**

Loss of life. This product is not intended to be used in a critical life support application. Failure to adhere to this warning could result in death or serious injury. (000209b)

**⚠ WARNING**

Equipment damage. This unit is not intended for use as a prime power source. It is intended for use as an intermediate power supply in the event of temporary power outage only. Doing so could result in death, serious injury, and equipment damage. (000247a)

**⚠ WARNING**

Accidental Start-up. Disconnect the negative battery cable, then the positive battery cable when working on unit. Failure to do so could result in death or serious injury. (000130)

**⚠ WARNING**

Equipment damage. Only qualified service personnel may install, operate, and maintain this equipment. Failure to follow proper installation requirements could result in death, serious injury, and equipment or property damage. (000182a)



**⚠ WARNING**

Electrocution. Potentially lethal voltages are generated by this equipment. Render the equipment safe before attempting repairs or maintenance. Failure to do so could result in death or serious injury. (000187)

**⚠ WARNING**

Electric shock. Only a trained and licensed electrician should perform wiring and connections to unit. Failure to follow proper installation requirements could result in death, serious injury, and equipment or property damage. (000155a)



**⚠ WARNING**

Moving Parts. Do not wear jewelry when starting or operating this product. Wearing jewelry while starting or operating this product could result in death or serious injury. (000115)



**⚠ WARNING**

Moving Parts. Keep clothing, hair, and appendages away from moving parts. Failure to do so could result in death or serious injury. (000111)



**⚠ WARNING**

Hot Surfaces. When operating machine, do not touch hot surfaces. Keep machine away from combustibles during use. Hot surfaces could result in severe burns or fire. (000108)

**⚠ WARNING**

Equipment and property damage. Do not alter construction of, installation, or block ventilation for generator. Failure to do so could result in unsafe operation or damage to the generator. (000146)

**⚠ WARNING**

Risk of injury. Do not operate or service this machine if not fully alert. Fatigue can impair the ability to service this equipment and could result in death or serious injury. (000215)

**⚠ WARNING**

Environmental Hazard. Always recycle batteries at an official recycling center in accordance with all local laws and regulations. Failure to do so could result in environmental damage, death, or serious injury. (000228)

**⚠ WARNING**

Injury and equipment damage. Do not use generator as a step. Doing so could result in falling, damaged parts, unsafe equipment operation, and could result in death or serious injury. (000216)

- Inspect generator regularly, and contact the nearest IASD for parts needing repair or replacement.

## Exhaust Hazards



**⚠ DANGER**

Asphyxiation. Running engines produce carbon monoxide, a colorless, odorless, poisonous gas. Carbon monoxide, if not avoided, will result in death or serious injury. (000103)



**⚠ WARNING**

Asphyxiation. Always use a battery operated carbon monoxide alarm indoors and installed according to the manufacturer's instructions. Failure to do so could result in death or serious injury. (000178a)

**⚠ WARNING**

Equipment and property damage. Do not alter construction of, installation, or block ventilation for generator. Failure to do so could result in unsafe operation or damage to the generator. (000146)



**⚠ WARNING**

Fire risk. Fuel and vapors are extremely flammable. Do not operate indoors. Doing so could result in death, serious injury, or property or equipment damage. (000281)

## Electrical Hazards



**⚠ DANGER**

Electrocution. Contact with bare wires, terminals, and connections while generator is running will result in death or serious injury. (000144)



**⚠ DANGER**

Electrocution. Never connect this unit to the electrical system of any building unless a licensed electrician has installed an approved transfer switch. Failure to do so will result in death or serious injury. (000150)

**⚠ DANGER**

Electrical backfeed. Use only approved switchgear to isolate generator from the normal power source. Failure to do so will result in death, serious injury, and equipment damage. (000237)



**⚠ DANGER**

Electrocution. Verify electrical system is properly grounded before applying power. Failure to do so will result in death or serious injury. (000152)



**⚠ DANGER**

Electrocution. Do not wear jewelry while working on this equipment. Doing so will result in death or serious injury. (000188)



**⚠ DANGER**

Electrocution. Water contact with a power source, if not avoided, will result in death or serious injury. (000104)



**⚠ DANGER**

Electrocution. In the event of electrical accident, immediately shut power OFF. Use non-conductive implements to free victim from live conductor. Apply first aid and get medical help. Failure to do so will result in death or serious injury. (000145)

## Fire Hazards



**⚠ WARNING**

Fire hazard. Do not obstruct cooling and ventilating airflow around the generator. Inadequate ventilation could result in fire hazard, possible equipment damage, death or serious injury. (000217)



**⚠ WARNING**

Fire and explosion. Installation must comply with all local, state, and national electrical building codes. Noncompliance could result in unsafe operation, equipment damage, death, or serious injury. (000218)



**⚠ WARNING**

Fire hazard. Use only fully-charged fire extinguishers rated "ABC" by the NFPA. Discharged or improperly rated fire extinguishers will not extinguish electrical fires in automatic standby generators. (000219)



**⚠ WARNING**

Consult Manual. Read and understand manual completely before using product. Failure to completely understand manual and product could result in death or serious injury. (000100a)



**⚠ WARNING**

Electrocution. Refer to local codes and standards for safety equipment required when working with a live electrical system. Failure to use required safety equipment could result in death or serious injury.

(000257)



**⚠ WARNING**

Risk of Fire. Unit must be positioned in a manner that prevents combustible material accumulation underneath. Failure to do so could result in death or serious injury. (000147)

Comply with regulations the local agency for workplace health and safety has established. Also, verify that the generator is installed in accordance with the manufacturer's instructions and recommendations. Following proper installation, do nothing that might alter a safe installation and render the unit in noncompliance with the aforementioned codes, standards, laws, and regulations.

## Explosion Hazards



**⚠ DANGER**

Explosion and fire. Fuel and vapors are extremely flammable and explosive. No leakage of fuel is permitted. Keep fire and spark away. Failure to do so will result in death or serious injury.

(000192)

**⚠ DANGER**

Explosion and fire. Connection of fuel source must be completed by a qualified professional technician or contractor. Incorrect installation of this unit will result in death, serious injury, and property and equipment damage.

(000151a)



**⚠ DANGER**

Risk of fire. Allow fuel spills to completely dry before starting engine. Failure to do so will result in death or serious injury.

(000174)



**⚠ WARNING**

Risk of Fire. Hot surfaces could ignite combustibles, resulting in fire. Fire could result in death or serious injury.

(000110)

## Battery Hazards



**⚠ DANGER**

Electrocution. Do not wear jewelry while working on this equipment. Doing so will result in death or serious injury.

(000188)



**⚠ WARNING**

Explosion. Do not dispose of batteries in a fire. Batteries are explosive. Electrolyte solution can cause burns and blindness. If electrolyte contacts skin or eyes, flush with water and seek immediate medical attention.

(000162)



**⚠ WARNING**

Explosion. Batteries emit explosive gases while charging. Keep fire and spark away. Wear protective gear when working with batteries. Failure to do so could result in death or serious injury.

(000137a)



**⚠ WARNING**

Electrical shock. Disconnect battery ground terminal before working on battery or battery wires. Failure to do so could result in death or serious injury.

(000164)



**⚠ WARNING**

Risk of burns. Batteries contain sulfuric acid and can cause severe chemical burns. Wear protective gear when working with batteries. Failure to do so could result in death or serious injury.

(000138a)



**⚠ WARNING**

Risk of burn. Do not open or mutilate batteries. Batteries contain electrolyte solution which can cause burns and blindness. If electrolyte contacts skin or eyes, flush with water and seek immediate medical attention.

(000163a)



**⚠WARNING**

Environmental Hazard. Always recycle batteries at an official recycling center in accordance with all local laws and regulations. Failure to do so could result in environmental damage, death, or serious injury. (000228)

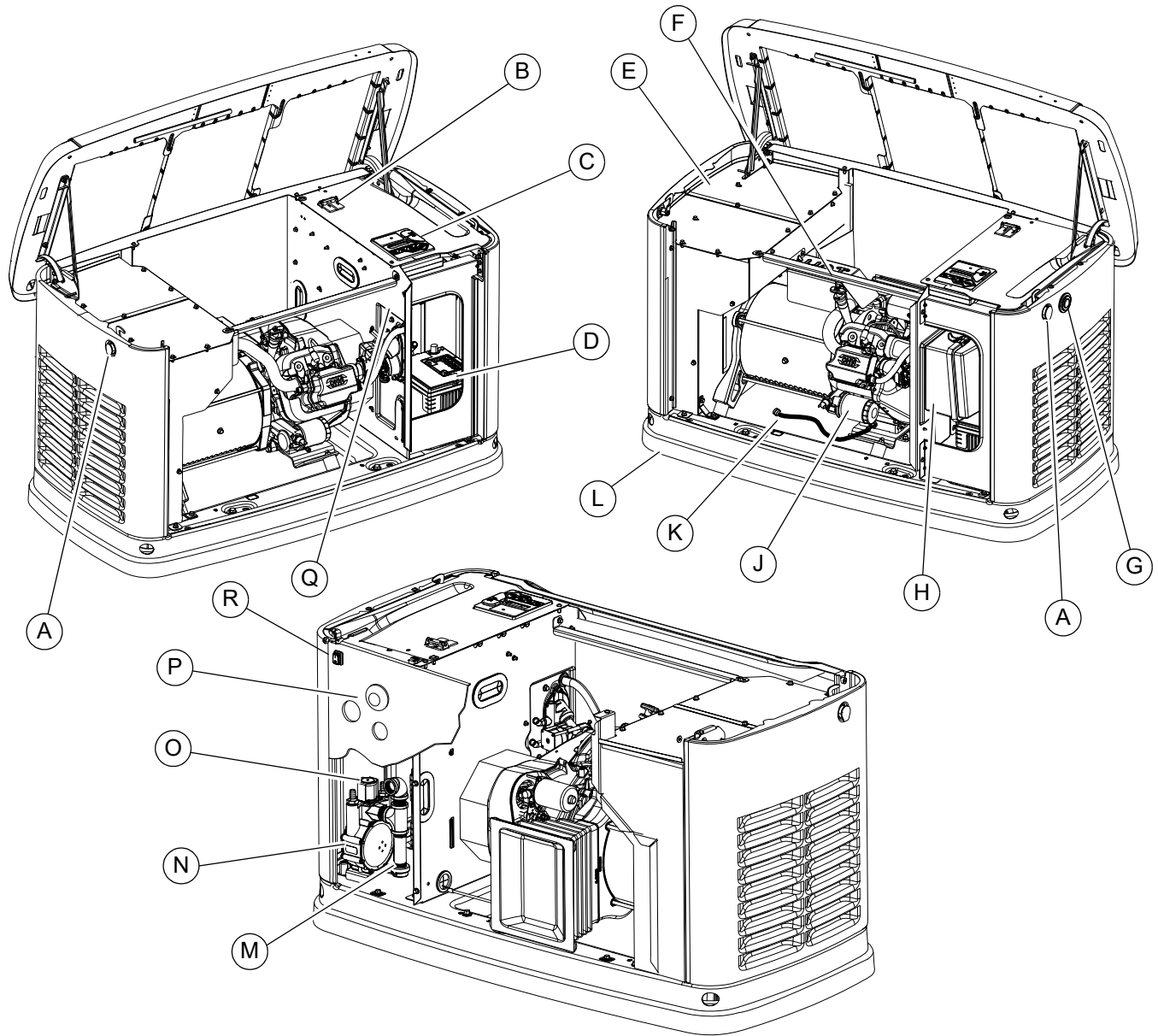
---

Always recycle batteries in accordance with local laws and regulations. Contact your local solid waste collection site or recycling facility to obtain information on local recycling processes. For more information on battery recycling, visit the Battery Council International website at: <http://batteryCouncil.org>

**This page intentionally left blank.**

# Section 2: General Information

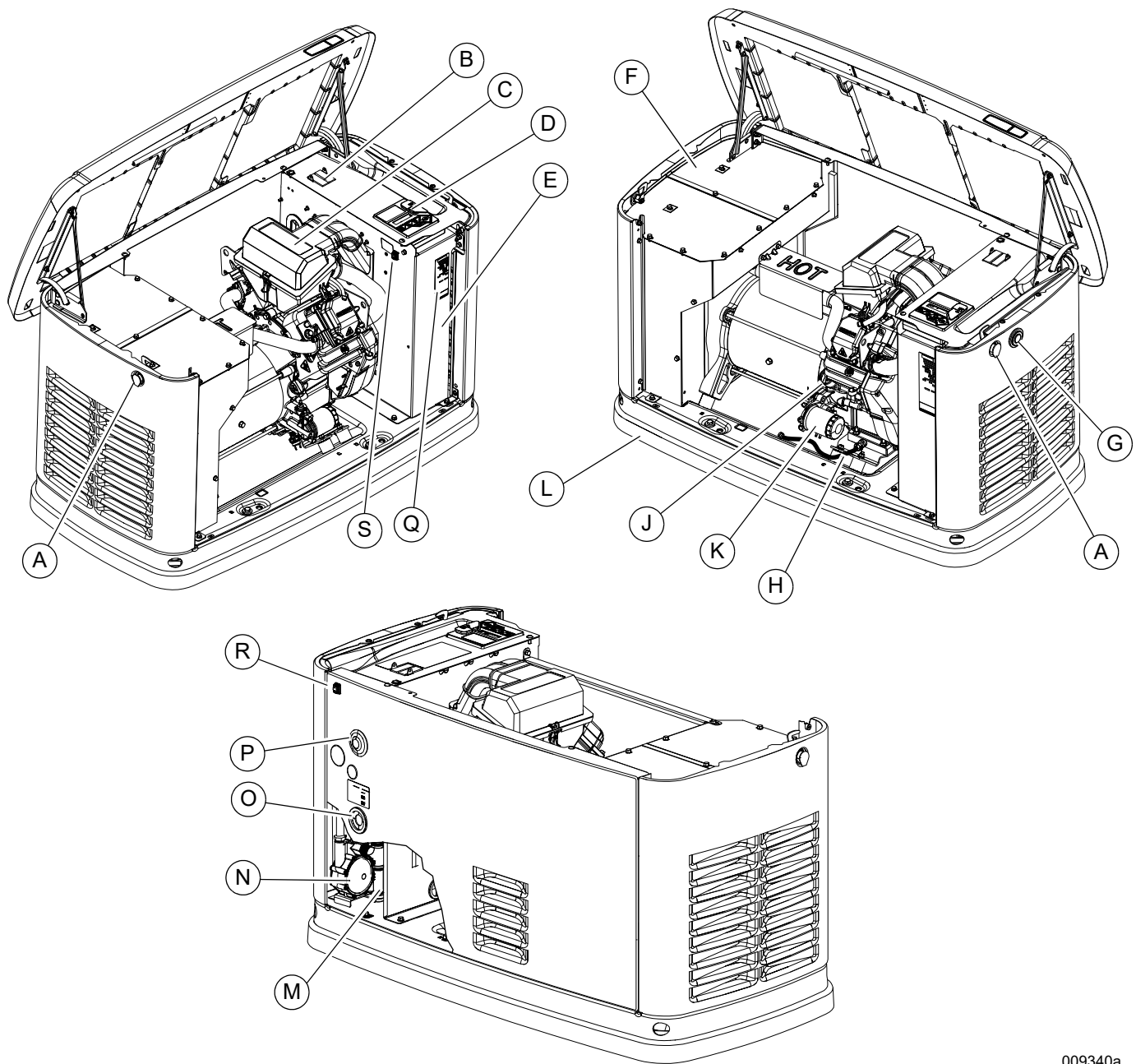
## Generator Components and Control Locations



001818

**Figure 2-1. 10 kW—Components and Control Locations**

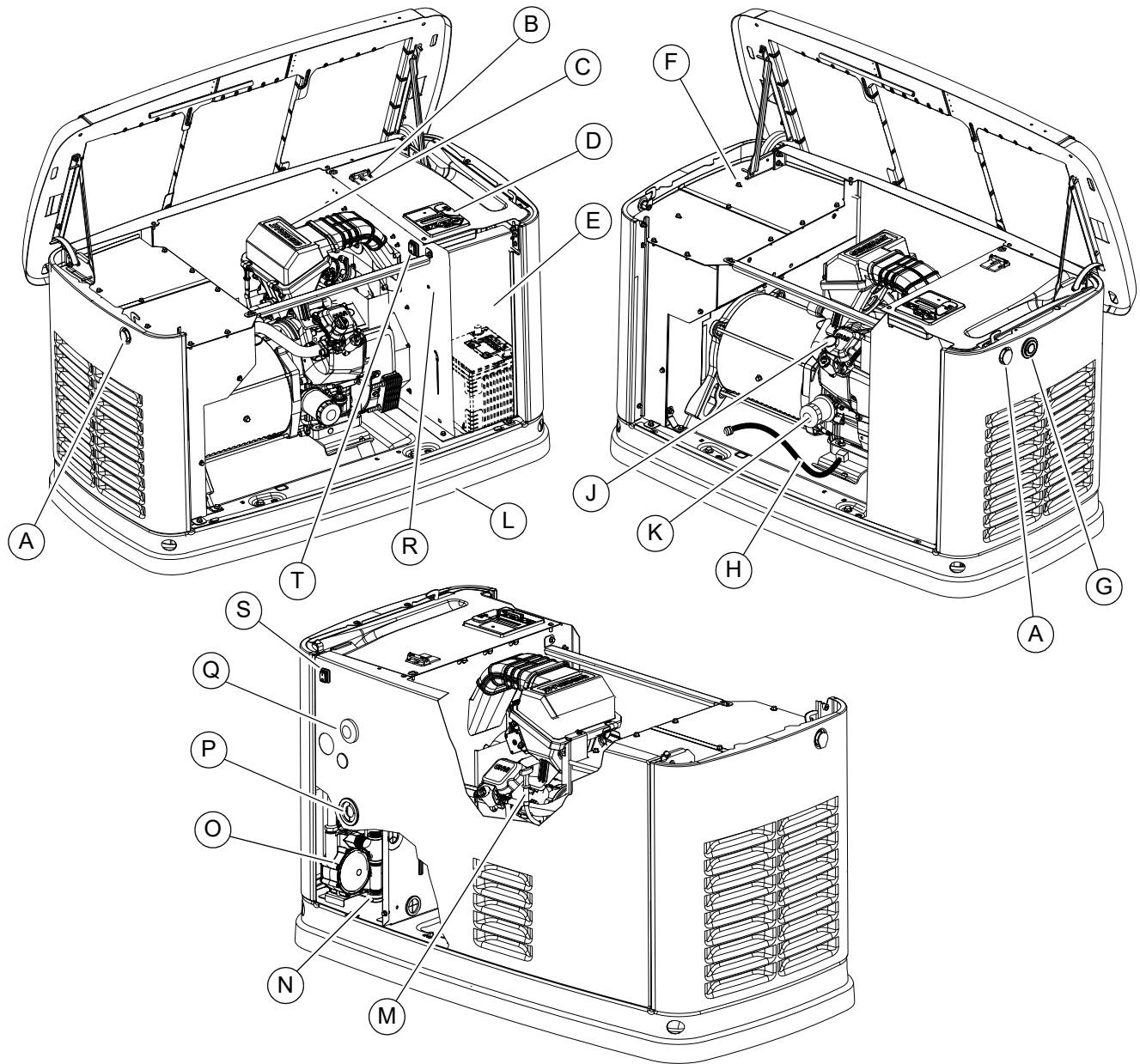
|   |                                  |                         |                                    |
|---|----------------------------------|-------------------------|------------------------------------|
| <b>A</b> Lock with cover                                  | <b>F</b> Oil fill cap/dipstick   | <b>K</b> Oil drain hose | <b>O</b> Fuel inlet                |
| <b>B</b> Main line circuit breaker (generator disconnect) | <b>G</b> Status LED indicators   | <b>L</b> Composite base | <b>P</b> Wi-Fi module              |
| <b>C</b> Control panel                                    | <b>H</b> Airbox with air cleaner | <b>M</b> Sediment trap  | <b>Q</b> Data decal location       |
| <b>D</b> Battery compartment (battery not supplied)       | <b>J</b> Oil filter              | <b>N</b> Fuel regulator | <b>R</b> Auxiliary shutdown switch |
| <b>E</b> Exhaust enclosure                                |                                  |                         |                                    |



009340a

**Figure 2-2. 13 kW–16 kW—Components and Control Locations**

|          |  |          |                       |          |                |          |                           |
|----------|--|----------|-----------------------|----------|----------------|----------|---------------------------|
| <b>A</b> | Lock with cover                                  | <b>F</b> | Exhaust enclosure     | <b>L</b> | Composite base | <b>Q</b> | Data decal location       |
| <b>B</b> | Main line circuit breaker (generator disconnect) | <b>G</b> | Status LED indicators | <b>M</b> | Sediment trap  | <b>R</b> | Auxiliary shutdown switch |
| <b>C</b> | Airbox with air cleaner                          | <b>H</b> | Oil drain hose        | <b>N</b> | Fuel regulator | <b>S</b> | Auxiliary shutdown switch |
| <b>D</b> | Control panel                                    | <b>J</b> | Oil fill cap/dipstick | <b>O</b> | Fuel inlet     |          |                           |
| <b>E</b> | Battery compartment (battery not supplied)       | <b>K</b> | Oil filter            | <b>P</b> | Wi-Fi module   |          |                           |



001786

**Figure 2-3. 20 kW–24 kW—Components and Control Locations**

|   |                                |                         |                                    |
|---|--------------------------------|-------------------------|------------------------------------|
| <b>A</b> Lock with cover                                  | <b>F</b> Exhaust enclosure     | <b>L</b> Composite base | <b>Q</b> Wi-Fi module              |
| <b>B</b> Main line circuit breaker (generator disconnect) | <b>G</b> Status LED indicators | <b>M</b> Oil dipstick   | <b>R</b> Data decal location       |
| <b>C</b> Airbox with air cleaner                          | <b>H</b> Oil drain hose        | <b>N</b> Sediment trap  | <b>S</b> Auxiliary shutdown switch |
| <b>D</b> Control panel                                    | <b>J</b> Oil fill cap          | <b>O</b> Fuel regulator | <b>T</b> Auxiliary shutdown switch |
| <b>E</b> Battery compartment (battery not supplied)       | <b>K</b> Oil filter            | <b>P</b> Fuel inlet     |                                    |

## Data Decals

Two decals on the generator provide information about the unit itself and required fuel inlet pressure for correct operation.

|   |  |                        |   |
|---|--|------------------------|---|
| <div style="border: 1px solid black; padding: 10px; margin-bottom: 10px;"> <p style="text-align: center;"><b>GENERAC</b></p> <p>MODEL: G0065510<br/>             SERIAL: 1000000XXX<br/>             ITEM NO: 0065510<br/>             PROD DATE: 20xx/xx/xx<br/>             VOLTS: 120/240 1 PHASE<br/>             LPV AMPS: 183.3/91.7 HZ: 60<br/>             NG AMPS: 162.5/81.3 RPM: 3600<br/>             INSULATION CLASS: F 10 PF<br/>             CONTROLLER P/N: 0J8371C<br/>             COUNTRY OF ORIGIN: USA<br/>             DUTY RTG: _____<br/>             XD 0.23 X'D 0.20<br/>             RATED AMBIENT TEMP: 40°C<br/>             FOR STANDBY SERVICE</p> <table style="width: 100%; border: none;"> <tr> <td style="width: 50%; border: none;">NEUTRAL FLOATING<br/>UNBALANCED LOAD<br/>CAPACITY: 25%</td> <td style="width: 50%; border: none;">MANUF.<br/>LOC.<br/>1004</td> </tr> </table> <p style="text-align: center; border-top: 1px dashed black;">RAINPROOF ENCLOSURE</p> <div style="border: 1px solid black; padding: 5px; margin: 5px 0;"> <p style="font-size: 8px; margin: 0;">SwRI ID No. 12204-01-01<br/>Compliant with Clause (2)<br/>of Section 4.14 of NFPA 37<br/>LISTED BY: Southwest Research<br/>Institute San Antonio, Texas</p> </div> <p style="font-size: 8px; margin: 0;">NOTE 1 ISO CHAR. MAXO<br/>NOTE 2 ISO CHAR. MAXO<br/>NOTE 3 ISO CHAR. MAXO<br/>NOTE 4 ISO CHAR. MAXO<br/>NOTE 5 ISO CHAR. MAXO<br/>NOTE 6 ISO CHAR. MAXO<br/>NOTE 7 ISO CHAR. MAXO</p> <p style="font-size: 8px; margin: 0;">GENERAC POWER SYSTEMS, INC<br/>WAUKESHA, WI USA 53189 0L2157</p> </div> | NEUTRAL FLOATING<br>UNBALANCED LOAD<br>CAPACITY: 25%   | MANUF.<br>LOC.<br>1004 | <p><b>Model Data Decal</b></p> <p>Includes important information about the unit including:</p> <ul style="list-style-type: none"> <li>• model number</li> <li>• serial number</li> <li>• production date</li> <li>• voltage</li> <li>• frequency</li> <li>• amps</li> <li>• country of origin</li> <li>• rated ambient temperature</li> </ul> <p>The model data decal also displays certification symbols by Underwriter's Laboratory (UL) and the Southwest Research Institute (SwRI).</p> |
| NEUTRAL FLOATING<br>UNBALANCED LOAD<br>CAPACITY: 25%  | MANUF.<br>LOC.<br>1004   |                        |   |
| <div style="border: 1px solid black; padding: 10px;"> <p style="text-align: center;"><b>FUEL INLET</b></p> <p>PRIMARY FUEL _____ SERIAL # _____</p> <p><b>DIESEL</b><br/>MAX FLOW RATE: _____ BTU/HR</p> <p><b>NATURAL GAS</b><br/>MIN. INLET PRESSURE: _____ in W.C.<br/>MAX INLET PRESSURE: _____ in W.C.<br/>MAX FLOW RATE: _____ BTU/HR</p> <p><b>LP-VAPOR</b><br/>MIN. INLET PRESSURE: _____ in W.C.<br/>MAX INLET PRESSURE: _____ in W.C.<br/>MAX FLOW RATE: _____ BTU/HR</p> <p style="text-align: center;">FLEX HOSE CONNECTION ONLY</p> </div>   | <p><b>Fuel Inlet Pressure</b></p> <p>Displays unit serial number, along with minimum and maximum inlet pressures for natural gas (NG) and liquid propane (LP) supply. Space is provided for installer to enter maximum flow rates based on installed pipe sizes and lengths.</p> |                        |   |

## Specifications

### Generator

| Model  | 10 kW  | 13        | 16 kW     | 20 kW     | 22 kW     | 24 kW     |
|--|--|-----------|-----------|-----------|-----------|-----------|
| Rated voltage  | 240  |           |           |           |           |           |
| Rated maximum load current (amps) at rated voltage with LP*  | 41.7   | 54.2      | 66.7      | 83.3      | 91.7      | 100.0     |
| Main line circuit breaker (generator disconnect)   | 45 amp   | 60 amp    | 70 amp    | 90 amp    | 100 amp   |           |
| Phase  | 1  |           |           |           |           |           |
| Rated AC frequency   | 60 Hz  |           |           |           |           |           |
| Battery requirement (field supplied)   | 12 volts, Group 26R-540CCA Minimum or Group 35AGM-650CCA Minimum (see <a href="#">Replacement Parts</a> )  |           |           |           |           |           |
| Enclosure  | Aluminum   |           |           |           |           |           |
| Weight (lb / kg) (without battery)   | 338 / 153  | 385 / 175 | 420 / 191 | 436 / 198 | 445 / 202 | 455 / 206 |
| Normal operating range   | This unit is tested in accordance to UL 2200 standards with an operating temperature of -20 °F (-29 °C) to 122 °F (50 °C). For areas where temperatures fall below 32 °F (0 °C), a cold weather kit is recommended. When operated above 77 °F (25 °C), there may be a decrease in engine power. See <a href="#">Engine</a> . |           |           |           |           |           |
| These generators are rated in accordance with UL 2200, Safety Standard for Stationary Engine Generator Assemblies, and CSA-C22.2 No. 100-04 Standard for Motors and Generators.<br>* NG ratings will depend on specific fuel joules/BTU content. Typical derates are between 10-20% off the LP gas rating. |  |           |           |           |           |           |

### Engine

| Model   | 10 kW                                 | 13/16 kW               | 20–24 kW                     |
|---|---------------------------------------|------------------------|------------------------------|
| Engine type   | G-Force™ 400 Series                   | G-Force™ 800 Series    | G-Force™ 1000 Series         |
| Number of cylinders   | 1                                     | 2                      | 2                            |
| Displacement  | 460 cc                                | 816 cc                 | 999 cc                       |
| Cylinder block  | Aluminum with cast iron sleeve        |                        |                              |
| Recommended spark plug  | See <a href="#">Replacement Parts</a> |                        |                              |
| Spark plug gap  | 0.020 in (0.508 mm)                   |                        | 0.040 in (1.02 mm)           |
| Hydraulic lifters   | No                                    | Yes                    | No                           |
| Valve clearance   | 0.002–0.004 in (0.05–0.1 mm)          | N/A                    | 0.002–0.004 in (0.05–0.1 mm) |
| Starter   | 12 VDC                                |                        |                              |
| Oil capacity including filter   | Approx. 1.1 qt (1.03 L)               | Approx. 2.2 qt (2.1 L) | Approx. 1.9 qt (1.8 L)       |
| Recommended oil filter  | See <a href="#">Replacement Parts</a> |                        |                              |
| Recommended air filter  | See <a href="#">Replacement Parts</a> |                        |                              |
| Engine power is subject to and limited by such factors as fuel BTU/joules, ambient temperature, and altitude. Engine power decreases approximately 3.5% for each 1,000 ft (304.8 m) above sea level, and also will decrease approximately 1% for each 10 °F (6 °C) above 60 °F (15 °C) ambient temperature. |                                       |                        |                              |

A detailed specification sheet for a particular generator is available from a local IASD.

## Protection Systems

The generator may need to run for long periods of time with no operator present to monitor engine or generator conditions. The generator is equipped with protection systems to automatically shut down the unit to protect against potentially damaging conditions. Some of these systems include:

### Alarms:

- High Temperature
- Low Oil Pressure
- Overcrank
- Overspeed
- Overvoltage
- Undervoltage
- Overload
- Underspeed
- RPM Sensor Loss
- Controller Fault
- Wiring Error
- Stepper Overcurrent

### Warnings:

- Charger Warning
- Charger Missing AC
- Low Battery
- Battery Problem
- Exercise Set Error
- USB Warning
- Download Failure

The control panel contains a display alerting the operator when a fault condition occurs. The above list is not all-inclusive. See [Operation](#) for more information about alarms and control panel operation.

**NOTE:** A warning indicates a condition on the generator which should be addressed, but will not shut down generator. An alarm shuts down the generator to protect system from any damage. In event of an alarm, an owner can clear the alarm and restart generator prior to contacting an IASD. Contact an IASD if the intermittent issue occurs again.

## Emissions

The United States Environmental Protection Agency (US EPA) (and California Air Resources Board (CARB), for engines/equipment certified to California standards) requires this engine/equipment to comply with exhaust and evaporative emissions standards. Locate the emissions compliance decal on the engine to determine applicable standards. See the included emissions warranty for emissions warranty information. Follow the maintenance specifications in this manual to ensure the engine complies with applicable emissions standards for the duration of the product's life.

This generator is certified to operate on liquid propane vapor fuel or pipeline natural gas.

The Emission Control System code is EM (Engine Modification). The Emission Control System on this generator consists of the following:

| System        | Components  |
|---------------|---|
| Air induction | - Intake manifold<br>- Air cleaner                  |
| Fuel metering | - Carburetor and mixer assembly<br>- Fuel regulator |
| Ignition      | - Spark plug<br>- Ignition module                   |
| Exhaust       | - Exhaust manifold<br>- Muffler                     |

## Fuel Requirements



**⚠ DANGER**

Explosion and Fire. Fuel and vapors are extremely flammable and explosive. Add fuel in a well ventilated area. Keep fire and spark away. Failure to do so will result in death or serious injury.

(000105)

The engine has been fitted with a dual fuel carburetion system. The unit will run on NG or LP gas (vapor), but has been factory-configured to run on NG. The fuel system will be configured for the available fuel source during installation.

Recommended fuels should have a BTU content of at least 1,000 BTUs per ft<sup>3</sup> (37.26 megajoules per m<sup>3</sup>) for natural gas, or at least 2,500 BTUs per ft<sup>3</sup> (93.15 megajoules per m<sup>3</sup>) for LP gas.

**NOTE:** If converting to LP gas from NG, a minimum LP tank size of 250 gal (946 L) is recommended. See installation manual for complete procedures and details.

## Battery Requirements

12 volts, Group 26R Wet Cell 540CCA minimum or Group 35 AGM 650CCA minimum (not included with unit). See [Battery Maintenance](#) for correct battery maintenance procedures.

## Battery Charger

The battery charger is integrated into the control panel module in all models. It operates as a smart charger, verifying output charging levels are safe and continuously optimized to promote maximum battery life. A kit is provided to install a fuse in transfer switch for T1 battery charger connection. Follow installation instructions provided with kit.

**NOTE:** Do not use external battery chargers.

## Engine Oil Requirements

See [Engine Oil Requirements](#) for correct oil viscosity.



## Activating the Generator

Generator should be activated upon initial startup. See installation manual for complete instructions.

## Wi-Fi Module

Generator is equipped with a Wi-Fi module. See Wi-Fi module owner's manual for further information.

## Replacement Parts

| Description           | 10 kW                                      | 13 kW  | 16 kW | 20 kW                          | 22 kW | 24 kW |
|-----------------------|--|--------|-------|--------------------------------|-------|-------|
| 26R Exide battery     | 0H3421S                                    |        |       |                                |       |       |
| Spark plug            | 0G0767B (RC12YC or equivalent)             |        |       | 0G0767A (RC12YC or equivalent) |       |       |
| Oil filter            | 070185E                                    |        |       |                                |       |       |
| Air filter            | 0E9371A                                    | 0J8478 |       |                                |       |       |
| Control panel fuse    | 0D7178T                                    |        |       |                                |       |       |
| Transfer switch fuses | See transfer switch manual for part number |        |       |                                |       |       |

## Accessories

**NOTE:** Performance enhancing accessories are available for air-cooled generators. Contact an IASD or visit [www.generac.com](http://www.generac.com) for additional information on replacement parts, accessories, and extended warranties. See also <http://www.ordertree.com/generac/air-cooled-homestandby-generators/>.

| Accessory   | Description  |
|---|--|
| Cold Weather Accessories*— <ul style="list-style-type: none"> <li>• Battery Pad Warmer</li> <li>• Oil Warmer</li> <li>• Breather Warmer</li> </ul> * each sold separately | <ul style="list-style-type: none"> <li>• Recommended in areas where temperatures fall below 0 °F (-18 °C).<br/>(<i>Not necessary for use with AGM-style batteries</i>)</li> <li>• Recommended in areas where temperatures fall below 0 °F (-18 °C).</li> <li>• Recommended in areas where heavy icing occurs.</li> </ul>   |
| Scheduled Maintenance Kit   | Includes all items necessary to perform complete routine maintenance on the generator along with oil recommendations (oil not included).   |
| Fascia Base Wrap  | The fascia base wrap snaps together around the bottom of the new air-cooled generators. This offers a sleek, contoured appearance as well as protection from rodents and insects by covering the lifting holes located in the base. Requires use of the mounting pad shipped with the generator.   |
| Mobile Link® 4G LTE Cellular Accessory  | The Mobile Link 4G LTE Cellular Accessory allows users to monitor generator status from anywhere in the world, using a smartphone, tablet, or PC. Easily access information such as the current operating status and maintenance alerts. Users can connect an account with an authorized service dealer for fast, friendly, and proactive service. With Mobile Link, users are taken care of before the next power outage.   |
| Touch-Up Paint Kit  | If the generator enclosure is scratched or damaged, it is important to touch-up the paint to protect from future corrosion. The touch-up paint kit includes the necessary paint to correctly maintain or touch-up a generator enclosure.   |
| Extended Warranty Coverage  | Extend generator warranty coverage by purchasing extended warranty coverage. Covers both parts and labor. Extended coverage can be purchased within 12 months of the end-user's purchase date. This extended coverage is applicable to registered units and end-user proof of purchase must be available upon request. Available for Generac® and Guardian® products. Not available for Corepower™, PowerPact®, and EcoGen™ products or all international purchases. |
| Wi-Fi LP Fuel Level Monitor   | The Wi-Fi enabled LP fuel level monitor provides constant monitoring of a connected LP fuel tank. Monitoring the LP tank's fuel level is an important step in verifying the generator is ready to run during an unexpected power failure. Status alerts are available through a free application to notify users when the LP tank needs a refill.  |

| <b>Accessory</b>                          | <b>Description</b>   |
|---|--|
| Smart Management Module (50 and 100 amps) | Smart Management Modules (SMM's) are used to optimize the performance of a standby generator. They manage large electrical loads upon startup and shed them to aid in recovery when overloaded. In many cases, using SMM's can reduce the overall size and cost of the system. |
| Ultrasonic Cleaning Solution              | 1 gal (3.8 L) of ultra concentrated cleaning solution for metal and plastic surfaces. Makes 6 gal (22.7 L) of cleaning solution.   |
| All Surface Protectant                    | All surface protectant for vinyl, rubber, and plastics. Creates a barrier to seal and protect surfaces from water and UV rays while renewing the look of the surface.  |

## Section 3: Operation

### Site Prep Verification

#### **⚠ DANGER**

Automatic start-up. Disconnect utility power and render unit inoperable before working on unit. Failure to do so will result in death or serious injury.

(000191)

Generator must be installed to allow unimpeded airflow into and out of generator.

Mechanical and gravity outdoor air intake openings for air distribution and supply systems must be located not less than 10 ft (3.05 m) horizontally from generator enclosure. See Section 401.4 in the ICC Mechanical Code for additional information.

Verify all shrubs or tall grasses within 3 ft (0.91 m) of intake and discharge louvers on the sides of the enclosure have been removed. Install generator on high ground where water levels will not rise and endanger it. This unit must not operate in or be subjected to standing water. Verify all potential water sources such as water sprinklers, roof run-off, rain gutter downspouts, and sump pump discharges are directed away from unit.

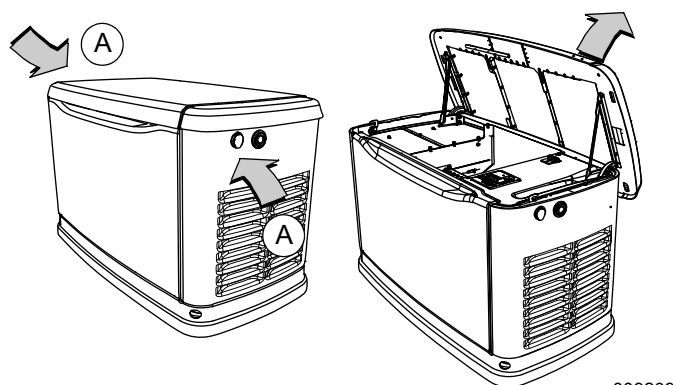
### Generator Enclosure

Enclosure lid is locked prior to shipment. A set of keys is attached to cardboard on top of generator. An additional set of keys is attached to pallet bracket on the front intake end of generator.

**NOTE:** Keys provided with this unit are intended for service personnel use only.

#### Opening the Lid

1. Use keys to open generator lid.
2. See [Figure 3-1](#). Two locks (A) secure lid; one on each side. Open protective rubber cap to access keyhole.



009209

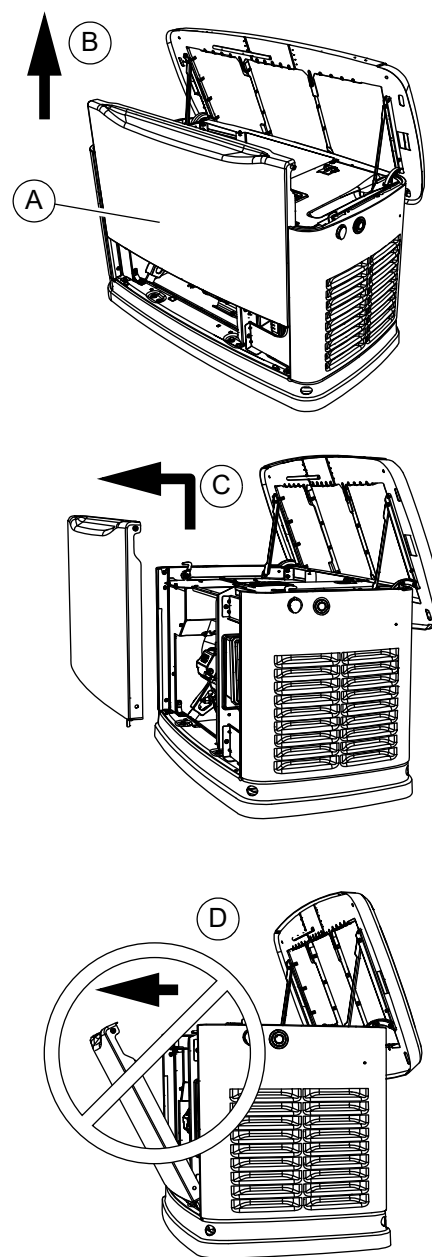
**Figure 3-1. Opening the Lid**

3. Press down on lid above side lock, and unlock latch to correctly open lid.
4. Repeat for other side. Lid may appear stuck if pressure is not applied from the top.

**NOTE:** Always verify side locks are unlocked before attempting to lift lid.

#### Front Access Panel Removal

See [Figure 3-2](#). Remove front access panel (A) by lifting straight up and out once lid is open.



009210

**Figure 3-2. Remove Front Access Panel**

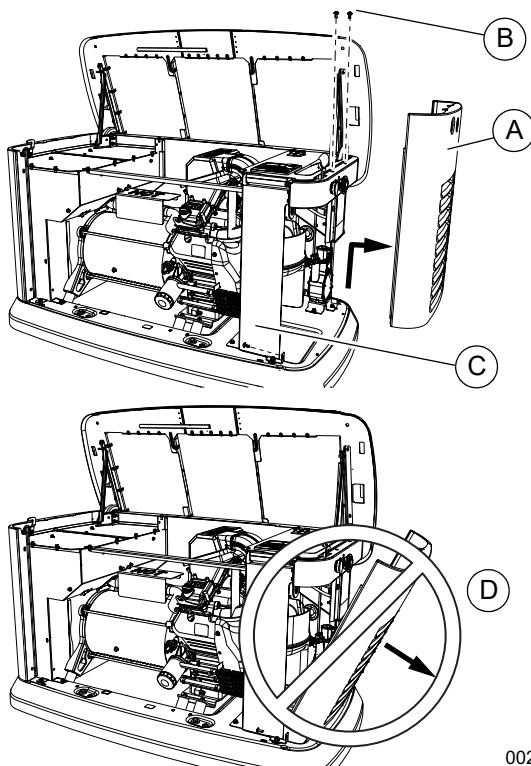
**NOTE:** Always lift front access panel straight up before pulling away from enclosure (B and C). Do not pull panel away from the enclosure before lifting up (D).

### Intake Side Panel Removal

See **Figure 3-3**. Intake side panel (A) must be removed to access battery compartment, fuel regulator, and sediment trap.

1. Raise lid and remove front panel.
2. Use a hex key to remove two mounting screws (B) and L-bracket screw (C).
3. Lift intake panel up and away from generator.

**NOTE:** Always lift intake side panel straight up before pulling away from enclosure. Do not pull panel away from enclosure before lifting up (D).

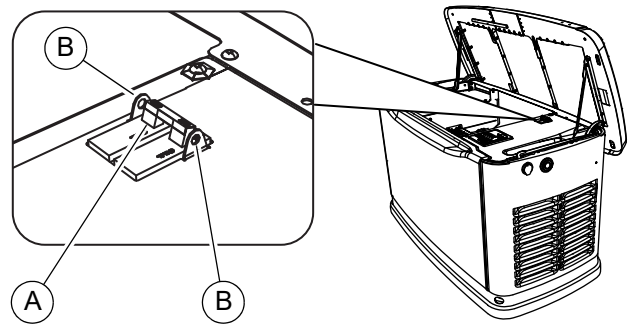


**Figure 3-3. Intake Side Panel Removal**

### Main Line Circuit Breaker (Generator Disconnect)

See **Figure 3-4**. This is a 2-pole main line circuit breaker (MLCB) (generator disconnect) (A) rated according to relevant specifications.

The generator MLCB (generator disconnect) can be locked in OFF (OPEN) for security. Use an appropriately-sized padlock (not included) with a shackle long enough to pass through both lock tabs (B).



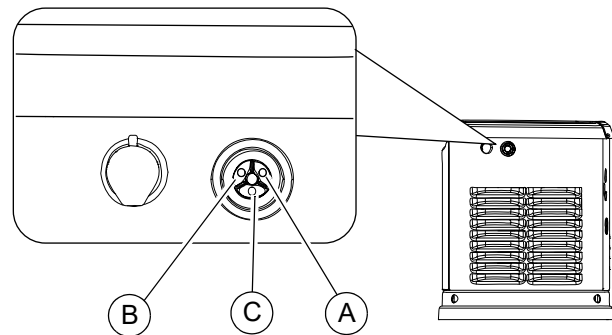
001810

**Figure 3-4. Main Line Circuit Breaker (MLCB)**

**NOTE:** DO NOT leave generator MLCB (generator disconnect) locked in OFF (OPEN) during normal generator operation. Leaving generator MLCB (generator disconnect) in OFF (OPEN) will prevent generator from powering structure during a power outage when placed in AUTO mode.

### LED Indicator Lights

See **Figure 3-5**. Three LEDs are visible behind a translucent lens on the generator side panel. These LEDs indicate generator operating status.



001791

**Figure 3-5. LED Indicator Lights**

- Green LED “Ready” light (A) illuminates when utility is present and control panel is in AUTO. LED flashes when automatic transfer switch converts to generator power during a utility power outage.
- Red LED “Alarm” light (B) illuminates when generator is OFF or a fault is detected. Contact an IASD.
- Yellow LED “Non-Critical Alert” light (C) illuminates when maintenance is required.

**NOTE:** Yellow LED may be illuminated at the same time as either the red or green LED.

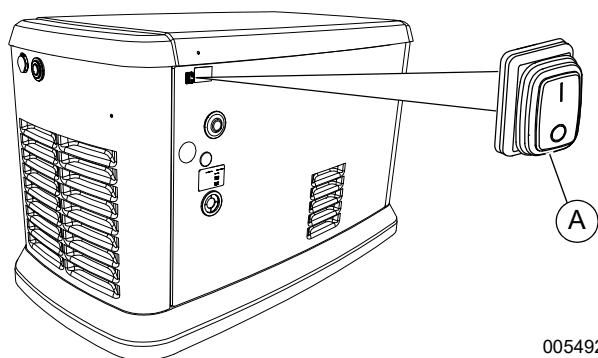
## Auxiliary Shutdown Switch



Equipment Damage. The auxiliary shutdown switch is not to be used to power down the unit under normal operating circumstances. Doing so will result in equipment damage. (000399)

All generators are equipped with an external means of shutting down the generator which complies with the latest NEC code requirement. Primary generator shutdown sequence is described in [Shutting Generator Down While Under Load or During a Utility Outage](#).

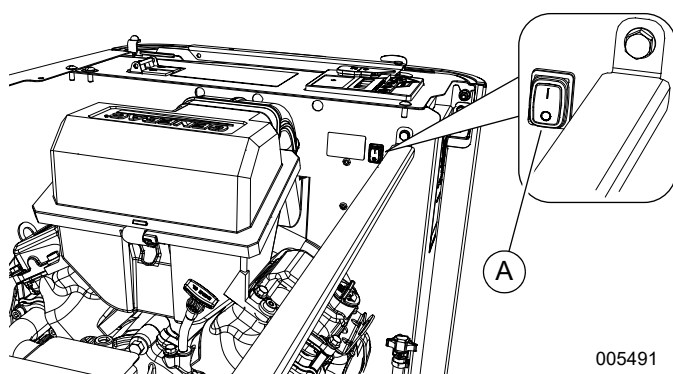
See [Figure 3-6](#). An auxiliary shutdown switch (A) is located on the exterior of the generator back panel. This auxiliary shutdown switch shuts down generator and disables restarts.



**Figure 3-6. External Auxiliary Shutdown Switch (all models)**

**NOTE:** Whenever possible, perform primary shutdown procedure before disabling generator with auxiliary shutdown switch.

See [Figure 3-7](#). 13–24 kW generators also have an auxiliary shutdown switch (A) located inside generator.



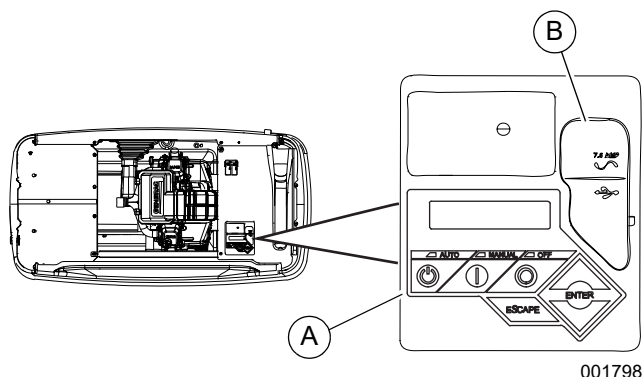
**Figure 3-7. Internal Auxiliary Shutdown Switch (13–24kW)**

**NOTE:** Generator will not start if either switch is OPEN (O). Controller displays an “Auxiliary Shutdown” alarm, and red LED “Alarm” light illuminates. To clear this condition, set switch or switches to CLOSED (I). Clear alarm

by pressing OFF button, and then ENTER. The generator can then be placed in AUTO or MANUAL.

## Control Panel Interface

See [Figure 3-8](#). The control panel interface (A) is located under the enclosure lid. Verify both left and right side locks are unlocked before attempting to lift lid of enclosure. Open lid as directed in [Opening the Lid](#).



**Figure 3-8. Generator Control Panel**

The 7.5A fuse is located beneath rubber cover (B) to the right of the control panel.

Verify both left and right side locks are securely out of the way before closing unit.

All appropriate panels must be in place during any operation of the generator. This includes operation by a servicing technician while conducting troubleshooting procedures.

## Using the AUTO/OFF/MANUAL Buttons

| Button | Description of Operation   |
|--------|--|
| AUTO   | Activates fully automatic system operation. Allows unit to automatically start and exercise generator according to exercise timer (see <a href="#">Setting the Exercise Timer</a> ). Green LED flashes when automatic transfer switch converts to generator power during a utility power outage. |
| OFF    | Shuts down engine and prevents automatic operation of unit.  |
| MANUAL | Cranks and starts generator. Transfer to standby power will not occur unless there is a utility failure. Blue LED flashes when automatic transfer switch converts to generator power during a utility power outage.  |

**NOTE:** Damage caused by mis-wiring of interconnect wires is not warrantable.

## Operating Modes

| Mode     | Description  |
|----------|--|
| MANUAL   | <ul style="list-style-type: none"> <li>• Will not transfer to standby if utility is present.</li> <li>• Transfers to standby if utility drops below 65% of nominal for five consecutive seconds (dealer programmable) after warm-up.</li> <li>• Transfers back when utility returns for 15 consecutive seconds (dealer programmable). Engine continues to run until removed from MANUAL.</li> </ul>  |
| AUTO     | <ul style="list-style-type: none"> <li>• Starts and runs if utility drops for five consecutive seconds (dealer programmable).</li> <li>• Starts an engine warm-up timer (duration varies when <b>Cold Smart Start</b> is enabled).                             <ul style="list-style-type: none"> <li>–Will not transfer if utility subsequently returns.</li> <li>–Transfers to standby if utility is not present.</li> </ul> </li> <li>• Transfers to utility once utility returns (above 80% of nominal) for 15 consecutive seconds (dealer programmable).</li> <li>• Will not transfer to utility unless utility returns. Unit will shut down if OFF button is pressed or a shutdown alarm is present.</li> <li>• Unit will shut down after one minute cool-down time when utility power returns.</li> </ul> |
| EXERCISE | <ul style="list-style-type: none"> <li>• Will not exercise if unit is already running in either AUTO or MANUAL.</li> <li>• During exercise, controller will only transfer if utility drops during exercise for five seconds (dealer programmable), and will switch to AUTO.</li> </ul>   |

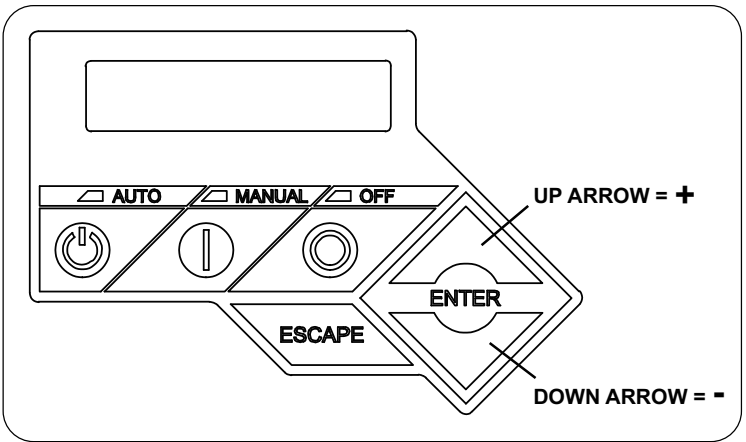
## Interface Menu Displays

### LCD Panel

| Feature           | Description  |
|-------------------|--|
| HOME page         | Default page displayed if no buttons are pressed for 60 seconds. Normally shows current status message, and current date and time. Highest priority active alarm/warning is automatically posted on this page, as well as flashing the backlight when such a condition is detected. In the case of multiple alarms/warnings, only first message is displayed. Press OFF button and then ENTER button to clear an alarm or warning. When “Hours of Protection” is displayed, this represents total time generator has been monitoring utility supply and ready to provide backup power if needed. |
| Display Backlight | Normally off. The backlight will automatically illuminate and remain on for 30 seconds if operator presses any button.   |
| MAIN MENU page    | Allows operator to navigate to all other pages or sub-menus by using arrow keys and ENTER button. Page can be accessed at any time with several presses of the dedicated ESCAPE button. Each press of the ESCAPE button takes operator to previous menu until MAIN MENU displays. This page contains information for History; Status; Edit; and Debug.   |

## Menu System Navigation

Press ESCAPE button from any page to access the MENU. If needed, press ESCAPE button several times to reach the MENU page. Navigate to the desired menu by using the ↑/↓ buttons. Press ENTER button when desired menu is displayed and flashing.



## EVOLUTION 2.0 / SYNC 3.0 HSB MENU MAP

Note: Menu functions and features may vary depending on unit model and firmware revision.

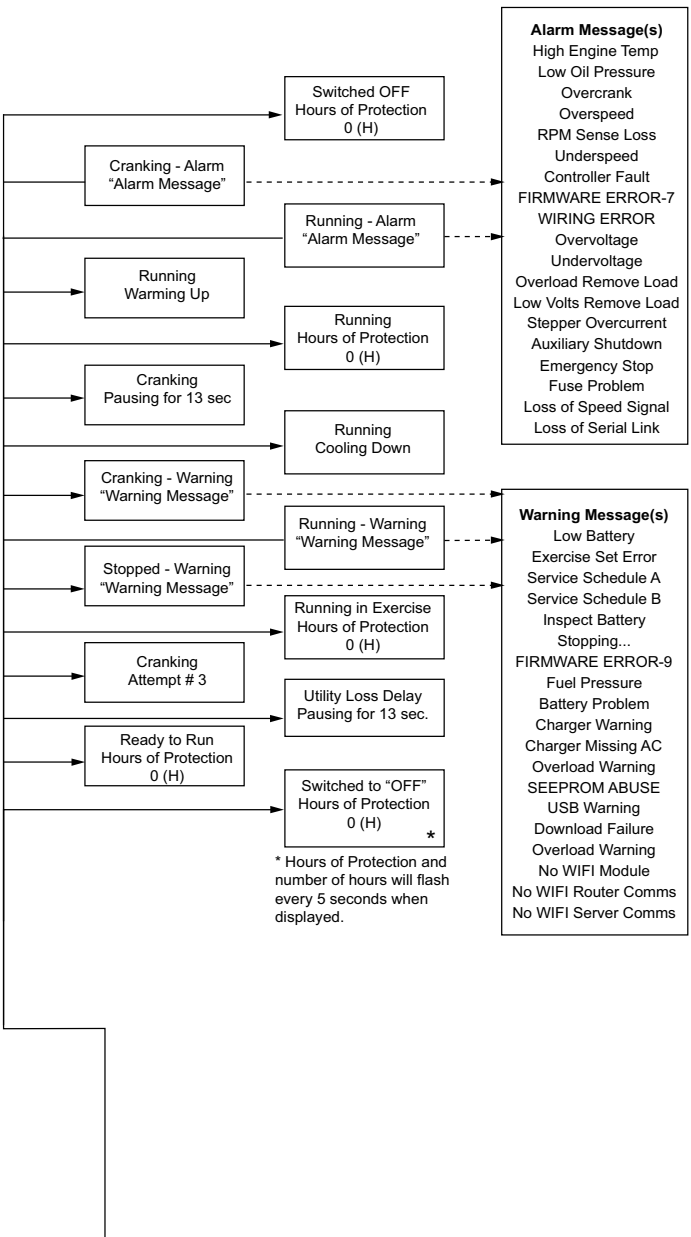
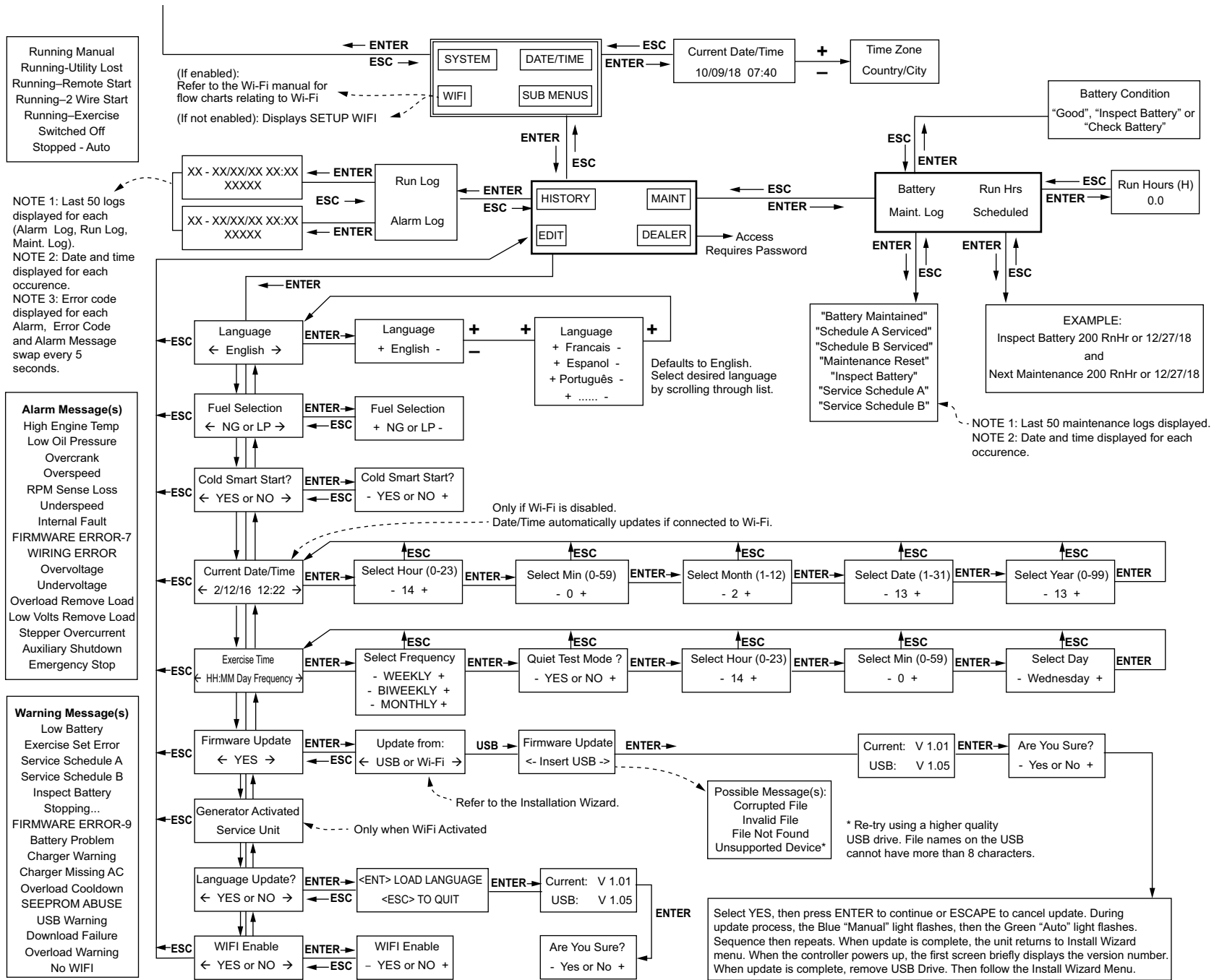


Figure 3-9. Navigation Menu

Figure 3-10. Navigation Menu





## Setting the Exercise Timer

This generator is equipped with a configurable exercise timer. Configuration can be performed directly at the control panel or through the Mobile Link® application. There are two settings for the exercise timer:

**Day/Time:** Generator will start and exercise for period defined, on day of week and at time of day specified. During this exercise period, unit runs for approximately five minutes and then shuts down.

**Exercise frequency:** Exercise frequency can be set to Weekly, Biweekly, or Monthly. If Monthly is selected, day of month must be selected from 1–28. Generator will exercise on that day each month. Transfer of loads to generator output does not occur during exercise cycle unless utility power is lost.

**NOTE:** If Wi-Fi is enabled, exercise timer will automatically adjust for Daylight Saving Time.

**NOTE:** The exercise feature will operate only when generator is in AUTO, and will not work unless this procedure is performed. If Wi-Fi is NOT enabled, current date/time will need to be reset every time the 12 volt battery is disconnected and then reconnected, and/or when the fuse is removed.

**Low Speed Exercise (Quiet-Test™) Profile:** Unit will run at operating speed for approximately five seconds, then drop speed to prepare for Quiet-Test. Speed will drop to predetermined Quiet-Test speed after approximately 40 seconds and continue to run until Quiet-Test is complete, a total of five minutes.

**Table 3-1** details exercise information and programming options for all home standby generators.

**NOTE:** If Quiet-Test is disabled, generator will exercise at the rated rpm.

**Table 3-1. Generator Exercise Characteristics**

|                                   |                          |
|-----------------------------------|--------------------------|
| <b>Generator Size</b>             | 10–24 kW                 |
| <b>Exercise Frequency Options</b> | Weekly/Bi-Weekly/Monthly |
| <b>Exercise Time Length</b>       | 5 minutes                |

## Battery Charger

**IMPORTANT NOTE:** Contact an IASD if controller screen displays “CHARGER MISSING AC.”

**NOTE:** Battery charger is integrated into the control module in all models.

The battery charger operates as a smart charger which verifies:

- output is continually optimized to promote maximum battery life.
- charging levels are safe.

**NOTE:** A warning is displayed on LCD when battery needs service.

**NOTE:** Do not use external battery chargers.

## Manual Transfer Operation



**⚠ DANGER**

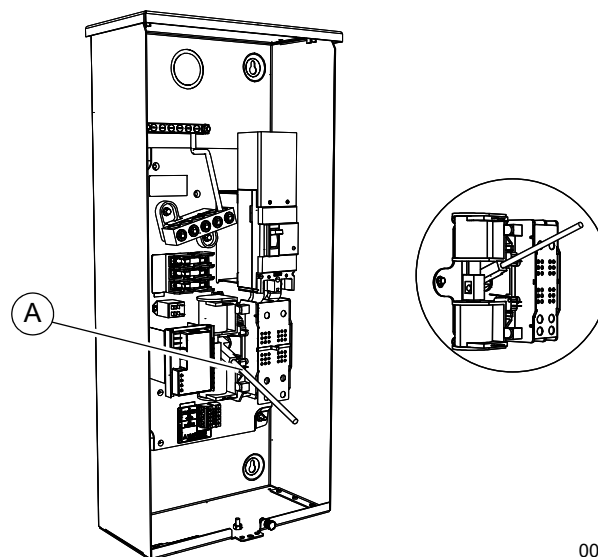
Electrocution. Do not manually transfer under load. Disconnect transfer switch from all power sources prior to manual transfer. Failure to do so will result in death or serious injury, and equipment damage.

(000132)

Prior to automatic operation, manually exercise transfer switch to verify there is no interference with correct operation of the mechanism. Manual operation of transfer switch is required if electronic operation should fail.

### Transfer to Generator Power Source

1. Verify generator is in OFF mode.
2. Set generator MLCB (generator disconnect) to OFF (OPEN).
3. Turn off utility power supply to transfer switch using means provided (such as a utility MLCB).
4. See **Figure 3-11**. Use manual transfer handle (A) inside transfer switch to move main contacts to STANDBY (loads connected to standby power source).



002565

**Figure 3-11. Typical Manual Transfer Switch Operation**

5. Press MANUAL button on control panel to crank and start engine.
6. Allow engine to stabilize and warm up for a few minutes.

7. Set generator MLCB (generator disconnect) to ON (CLOSED). Standby power source now powers loads.

### Transfer to Utility Power Source

Shut down generator and transfer to utility source after utility power has been restored. Proceed as follows to manually transfer to utility power and shut down generator:

1. Set generator MLCB (generator disconnect) to OFF (OPEN).
2. Run engine for one minute at no-load to stabilize internal temperature.
3. Press OFF button on control panel. Engine will shut down.
4. Verify utility power supply to transfer switch is turned off.
5. Set main contacts to UTILITY (loads connected to utility power source) using manual transfer handle inside transfer switch.
6. Turn on utility power supply to transfer switch using means provided (such as a utility MLCB).
7. Press AUTO button on control panel.
8. Set generator MLCB (generator disconnect) to ON (CLOSED).
9. Close and lock lid.

### Automatic Transfer Operation

Proceed as follows to select automatic operation:

1. Verify transfer switch main contacts are set to UTILITY (loads connected to utility power source).
2. Verify normal utility power source voltage is available to loads connected to transfer switch.
3. Press AUTO button on control panel.
4. Set generator MLCB (generator disconnect) to ON (CLOSED).

Generator will start automatically when utility source voltage drops below a preset level. Loads are transferred to standby power source after unit starts.

### Automatic Sequence of Operation

#### Utility Failure

If generator is set to AUTO when utility fails (below 65% of nominal), a five second (dealer programmable) line interrupt delay time is started. The engine cranks and starts if utility power is not available when timer expires. An engine warm-up timer will be initiated once engine is started. Timer duration varies depending on whether or not **Cold Smart Start** is enabled. The controller will transfer load to generator when warm-up time expires. If utility power is restored (above 80% nominal) at any time from initiation of engine start until generator is ready to

accept load (warm-up time has not elapsed), the controller completes start cycle and runs generator through its normal cool down cycle. However, load will remain on utility source.

#### Cranking

The system will control the cyclic cranking as follows:

- **10 kW Unit:** five cranking cycles as follows: 15 seconds cranking, seven seconds resting, followed by four additional cycles of seven seconds cranking followed by seven seconds resting.
- **13–24 kW Units:** five cranking cycles as follows: 16 seconds cranking, seven seconds resting, 16 seconds cranking, seven seconds resting, followed by three additional cycles of seven seconds cranking followed by seven seconds resting.

**NOTE:** An alarm will be triggered if generator does not start after these five attempts.

#### Cold Smart Start

Cold Smart Start is factory-enabled, but can be disabled in the EDIT menu. Generator will monitor ambient temperature when Cold Smart Start is enabled. The warm-up delay will be adjusted based on prevailing conditions.

See **Table 3-2**. If ambient temperature is below a fixed temperature (based on model) upon startup in AUTO, generator will warm up for 30 seconds. This allows engine to warm before a load is applied. The generator will startup with normal warm-up delay of five seconds if ambient temperature is at or above the fixed temperature.

| Generator size    | 10 kW–20 kW   | 22/24 kW      |
|-------------------|---------------|---------------|
| Fixed temperature | 50 °F (10 °C) | 20 °F (-7 °C) |

A check for correct output voltage buildup will be performed when generator engine is started.

#### Cleaning Cycle

If some condition impedes normal voltage creation, such as frost crystals or dust/dirt preventing a good electrical connection, start sequence will be interrupted so a cleaning cycle of the internal electrical connections can be attempted.

Cleaning cycle is an extended warm up period which lasts for several minutes while normal generator voltage output is determined to be low. During this cycle, generator controller will display “Warming Up” on the display screen.

The generator controller display will show “Under Voltage” if cleaning cycle fails to clear the obstruction. After several minutes, alarm message can be cleared, and the generator restarted.

If the problem persists, make no further attempts to start. Contact an IASD.

## Load Transfer

The transfer of load when generator is running is dependent upon operating mode.

## Shutting Generator Down While Under Load or During a Utility Outage

---

**⚠ DANGER**

Automatic start-up. Disconnect utility power and render unit inoperable before working on unit. Failure to do so will result in death or serious injury.

(000191)

---

**IMPORTANT NOTE: To avoid equipment damage, follow these steps, in order, during utility outages. Shutdowns may be required during utility outages to perform routine maintenance or to conserve fuel.**

### To turn generator OFF:

1. Set utility MLCB to OFF (OPEN).
2. Set generator MLCB (generator disconnect) to OFF (OPEN).
3. Allow generator to run for cool-down for approximately one minute.
4. Set generator to OFF at the controller.
5. Remove 7.5A fuse from controller.

### To turn generator back ON:

1. Install 7.5A fuse in controller.
2. Verify generator MLCB (generator disconnect) is OFF (OPEN).
3. Set generator to AUTO mode at the controller.
4. Generator will start and run. Allow generator to run and warm up for a few minutes.
5. Set generator MLCB (generator disconnect) to ON (CLOSED).
6. Set utility MLCB to ON (CLOSED).

The system now operates in automatic mode.

**This page intentionally left blank.**

## Section 4: Maintenance

### Maintenance

Regular maintenance will improve performance and extend engine/equipment life. Generac Power Systems, Inc. recommends that all maintenance work be performed by an Independent Authorized Service Dealer (IASD). Regular maintenance, replacement, or repair of the emissions control devices and systems may be performed by any repair shop or person of the owner's choosing. To obtain emissions control warranty service free of charge, the work must be performed by an IASD. See the emissions warranty.

### Preparing for Maintenance

#### DANGER

Automatic start-up. Disconnect utility power and render unit inoperable before working on unit. Failure to do so will result in death or serious injury.

(000191)

#### WARNING

Equipment damage. Only qualified service personnel may install, operate, and maintain this equipment. Failure to follow proper installation requirements could result in death, serious injury, and equipment or property damage.

(000182a)

Proceed as follows to prepare unit for maintenance:

1. Set utility MLCB to OFF (OPEN).
2. Lift lid and set generator MLCB (generator disconnect) to OFF (OPEN).
3. If running during a utility outage, allow generator to run and cool down for one minute with no load.
4. Press OFF button on controller.
5. Remove 7.5A fuse from control panel.
6. Remove front panel and intake side panel.

### Performing Scheduled Maintenance

It is important to perform maintenance as specified in the [Service Schedule](#) for correct generator operation. Engine oil and oil filter must be changed, and valve clearance adjusted (where applicable, see [Engine](#)) after first 25 hours of operation.

Emissions-critical maintenance must be performed as scheduled in order for emissions warranty to be valid. Emissions-critical maintenance consists of servicing the air filter and spark plug(s) in accordance with [Service Schedule](#).

Controller will prompt for Schedule A or Schedule B maintenance to be performed. Schedule A maintenance consists of oil, oil filter, and battery check. Schedule B maintenance includes oil, oil filter, battery check, air cleaner, spark plug(s), and valve clearance (where applicable, see [Engine](#)).

Since most maintenance alerts occur at the same time (most have two year intervals), only one will appear on control panel display at a time. Once first alert is cleared, the next active alert will be displayed.

## Service Schedule

| Service   | Daily If Running Continuously or Before Each Use | Every Year | Schedule A Every Two Years or 200 Hours | Schedule B Every Four Years or 400 Hours |
|---|--|------------|---|--|
| Inspect enclosure louvers for dirt and debris *   | •  |            |   |  |
| Inspect lines and connections for fuel or oil leaks   | •  |            |   |  |
| Check engine oil level  | •  |            |   |  |
| Inspect for water intrusion **  |  | •          |   |  |
| Perform fuel system leak test   |  | •          |   |  |
| Check battery condition, electrolyte level, and state of charge   |  | •          | •                                       | •  |
| Replace engine oil and oil filter †   |  |            | •                                       | •  |
| Replace engine air filter   |  |            |   | •  |
| Clean; inspect spark plug gap; replace if necessary   |  |            |   | •  |
| Inspect/adjust valve clearance (where applicable) ‡   |  |            |   | •  |
| Inspect/clean sediment trap   | <i>See local codes and guidelines.</i>           |            |   |  |
| <p><b>Contact the nearest IASD for assistance if necessary.</b></p> <p>* Remove any shrubs or tall grasses which have grown within 3 ft (0.91 m) of intake and discharge louvers on enclosure sides. Clean any debris (dirt, grass clippings, etc.) which may have accumulated inside enclosure.</p> <p>** Verify all sources of potential water intrusion such as water sprinklers, roof run-off, rain gutter downspouts, and sump pump discharges are directed away from generator enclosure.</p> <p>† Change engine oil and filter after first 25 hours of operation. In cold weather conditions (ambient below 40 °F [4.4 °C]), or if unit is operated continuously in hot weather conditions (ambient above 85 °F [29.4 °C]), change engine oil and filter every year or 100 hours of operation.</p> <p>‡ Inspect/adjust valve clearance after first 25 hours of operation. (Excludes units with hydraulic lifters. See <a href="#">Engine</a>.)</p> |  |            |   |  |

**NOTE:** Contact an IASD or visit [www.generac.com](http://www.generac.com) for additional information on replacement parts.

## Maintenance Log

### Battery Inspection and Charge Check

Dates Performed:

|  |  |  |  |  |  |  |  |  |  |
|--|--|--|--|--|--|--|--|--|--|
|  |  |  |  |  |  |  |  |  |  |
|  |  |  |  |  |  |  |  |  |  |
|  |  |  |  |  |  |  |  |  |  |

### Oil, Oil Filter, Air Filter, and Spark Plug Replacement

Dates Performed:

|  |  |  |  |  |  |  |  |  |  |
|--|--|--|--|--|--|--|--|--|--|
|  |  |  |  |  |  |  |  |  |  |
|  |  |  |  |  |  |  |  |  |  |
|  |  |  |  |  |  |  |  |  |  |

### Valve Adjustment

**NOTE:** Not required on 13 or 16 kW units with 816cc engines.

Dates Performed:

|  |  |  |  |  |  |  |  |  |  |
|--|--|--|--|--|--|--|--|--|--|
|  |  |  |  |  |  |  |  |  |  |
|  |  |  |  |  |  |  |  |  |  |
|  |  |  |  |  |  |  |  |  |  |

## Checking Engine Oil Level



### ⚠️ WARNING

Risk of burns. Allow engine to cool before draining oil or coolant. Failure to do so could result in death or serious injury.

(000139)

### ⚠️ WARNING

Skin irritation. Avoid prolonged or repeated contact with used motor oil. Used motor oil has been shown to cause skin cancer in laboratory animals. Thoroughly wash exposed areas with soap and water.

(000210)

### ⚠️ CAUTION

Engine damage. Verify proper type and quantity of engine oil prior to starting engine. Failure to do so could result in engine damage.

(000135)

**IMPORTANT NOTE: Verify oil level daily when power outages necessitate running generator for extended periods. Generator will shut down if oil level is low.**

Proceed as follows to check engine oil level:

1. Set utility MLCB to OFF (OPEN).
2. Set generator MLCB (generator disconnect) to OFF (OPEN).
3. Allow generator to run for a cool-down period of approximately one minute, if generator was running during an outage.
4. Press OFF button to turn generator off. Wait five minutes.
5. See [Figure 2-1](#), [Figure 2-2](#), or [Figure 2-3](#). Remove oil dipstick and wipe it dry with a clean cloth.
6. Completely insert oil dipstick into oil dipstick tube and remove.
7. Observe oil level. Oil level should be at FULL mark on oil dipstick.
8. If necessary, remove oil fill cap and add recommended oil to engine (with oil dipstick removed) until oil level reaches FULL mark. Insert oil dipstick and install fill cap. See [Engine Oil Requirements](#).

To restart generator:

1. Press AUTO button on control panel.
2. Allow generator to start and warm up for a few minutes.
3. Set generator MLCB (generator disconnect) to ON (CLOSED).

The system is now operating in AUTO. The utility MLCB can be turned ON (CLOSED).

## Engine Oil Requirements

### ⚠️ CAUTION

Engine damage. Verify proper type and quantity of engine oil prior to starting engine. Failure to do so could result in engine damage.

(000135)

Engine oil should be serviced in accordance with the recommendations of this manual to maintain product warranty. Generac maintenance kits consisting of engine oil, oil filter, air filter, spark plug(s), a shop towel, and a funnel are available through an IASD.

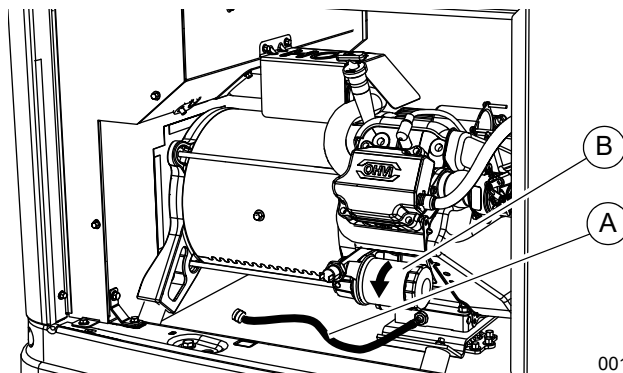
All Generac oil kits meet minimum American Petroleum Institute (API) Service Class SJ, SL, or better. Do not use special additives.

Synthetic SAE 5W-30 for all temperature ranges. See [Engine](#).

## Changing the Oil and Oil Filter

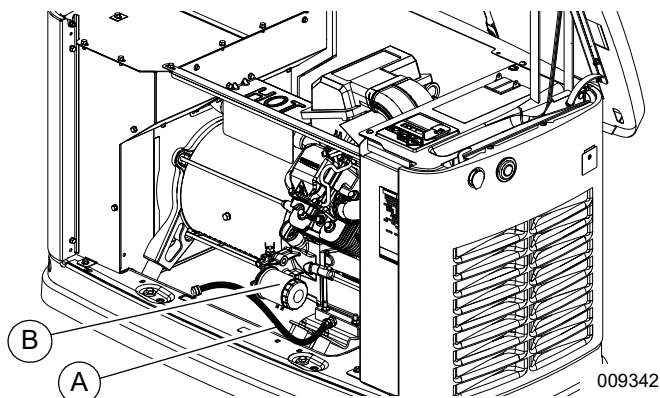
Proceed as follows to change oil and oil filter:

1. Lift lid and press MANUAL button on control panel to start engine, and run unit until it is thoroughly warmed up. Press OFF button on control panel to shut down engine.
2. See [Figure 4-1](#), [Figure 4-2](#), or [Figure 4-3](#). Remove front panel when unit has cooled. Pull oil drain hose (A) free of retaining clip. Remove cap from oil drain hose and place free end into a suitable container. Drain oil.

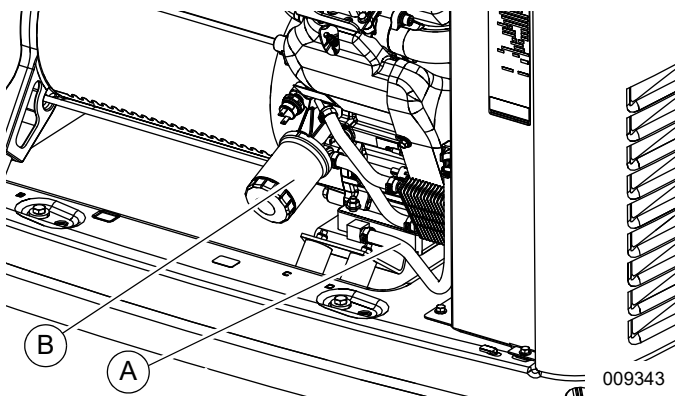


001831

**Figure 4-1. Oil Filter and Drain Location (10 kW)**



**Figure 4-2. Oil Filter and Drain Location (13–16 kW)**



**Figure 4-3. Oil Filter and Drain Location (20–24 kW)**

3. Install cap on oil drain hose. Position and secure oil drain hose with the retaining clip.
4. Remove oil filter (B) by turning it counterclockwise.
5. Apply a light coating of clean engine oil to gasket of new filter.
6. Screw new filter on by hand until gasket lightly contacts oil filter adapter. Tighten filter an additional three-quarter to one full turn.
7. Fill engine with recommended oil. See [Engine Oil Requirements](#).
8. Press MANUAL button on control panel to start engine. Run for one minute, and inspect for leaks.
9. Press OFF button on control panel to stop engine. Wait five minutes.
10. Inspect oil level. Add oil as needed. DO NOT OVERFILL.
11. Insert oil dipstick and/or attach fill cap.
12. Press AUTO button on control panel to return unit to AUTO.
13. Close and lock lid.
14. Dispose of used oil and filter according to local, state, or national codes.

## Servicing the Air Cleaner



### WARNING

Risk of fire. Never operate engine without the air cleaner installed. Operating engine without the air cleaner could result in death or serious injury. (000249)

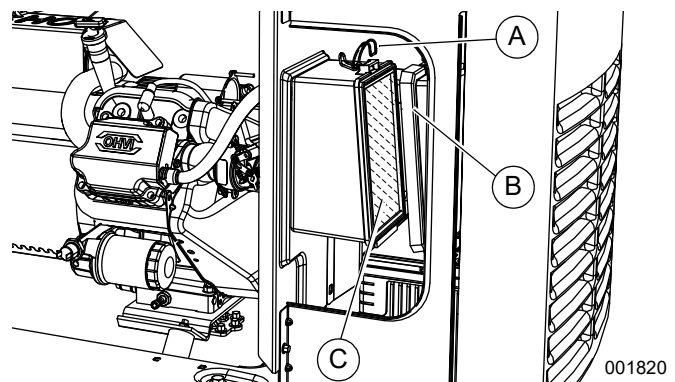


### WARNING

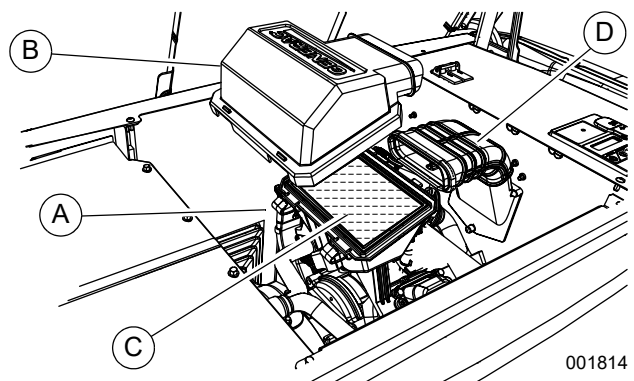
Explosion and fire. Never clean air filter element with gasoline or low flash-point detergents. Doing so could result in death, serious injury, or equipment damage. (000580)

Proceed as follows to service air cleaner:

1. Lift lid and press OFF button on control panel to stop generator.
2. Remove front panel.
3. See [Figure 4-4](#) or [Figure 4-5](#). Remove cover clips (A) and air cleaner cover (B).



**Figure 4-4. Servicing Air Cleaner (10 kW)**



**Figure 4-5. Servicing Air Cleaner (13–24 kW)**

4. Remove old air filter element (C) and discard.
5. Thoroughly clean air cleaner enclosure of any dust or debris.
6. Install a new air filter element.
7. Install air cleaner cover and fasten cover clips.



8. (13–24 kW units only): Verify air inlet duct (D) is correctly connected to air cleaner cover.
9. Press AUTO button on control panel to return unit to AUTO.

## Spark Plug(s)



### ⚠ WARNING

Electric shock. Do not disconnect spark plug wires with engine running. Doing so could result in death or serious injury.

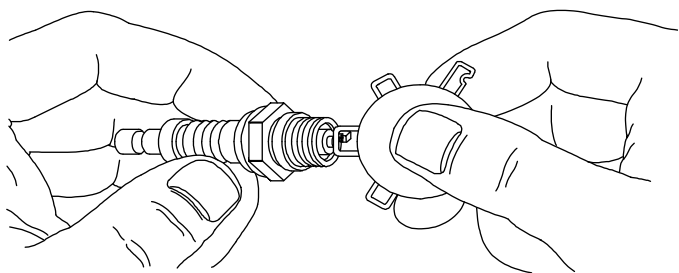
(000140a)

Proceed as follows to inspect spark plug gap(s) and replace spark plug(s) as necessary:

1. With generator OFF and engine cool, lift lid and remove front panel.
2. Clean area around base of spark plug(s) to keep dirt and debris out of engine.
3. Remove spark plug(s) and inspect. Install new spark plug(s) if existing spark plug(s) is worn, or if reuse is questionable.
4. Clean spark plug(s) by scraping or washing with a wire brush and commercial solvent. Do not blast spark plug(s) to clean.

**NOTE:** Clean spark plug(s) in emergency situations only. Otherwise, replace spark plug(s).

5. See [Figure 4-6](#). Inspect spark plug gap(s) using a wire feeler gauge. Replace spark plug(s) if spark plug gap is out of specification. See [General Information](#).



000211

**Figure 4-6. Spark Plug Gap Measurement**

**NOTE:** New spark plug(s) should have spark plug gap checked prior to installation.

6. Install spark plug(s), and tighten to 18.4 ft-lbs (25 Nm).
7. Press AUTO button to return unit to AUTO mode.

## Valve Clearance Adjustment

**IMPORTANT NOTE:** Contact an IASD for service assistance. Correct valve clearance is essential for prolonging the life of the engine. Excludes units equipped with hydraulic lifters. See [Engine](#).

**IMPORTANT NOTE:** Valve lash not required on 13 or 16 kW units with 816cc engine. See [Engine](#).

Inspect valve clearance after first 25 hours of operation, then after 400 hour intervals. Adjust if necessary.

### Checking Valve Clearance



### ⚠ WARNING

Risk of Burn. Allow the engine to cool before performing the following procedure. Failure to do so could result in serious injury.

(000560)

### ⚠ WARNING

Accidental Start-up. Disconnect the negative battery cable, then the positive battery cable when working on unit. Failure to do so could result in death or serious injury.

(000130)

### ⚠ WARNING

Accidental start-up. Disconnect spark plug wires when working on unit. Failure to do so could result in death or serious injury.

(000141)

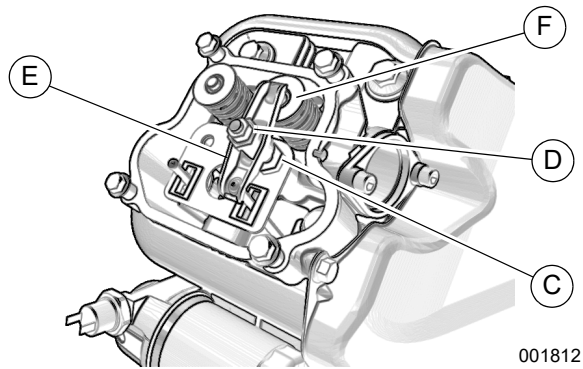
**NOTE:** Engine should be cool before checking valve clearance. Adjustment is not needed if valve clearance is within dimensions provided in [Engine](#).

Proceed as follows to check valve clearance.

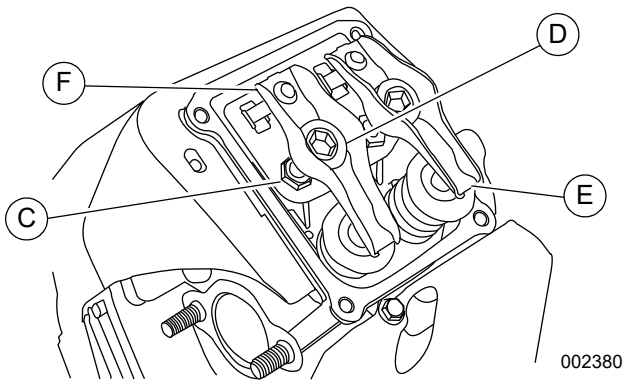
1. Close fuel valve and disconnect battery to avoid accidental startup.
2. Remove spark plug wire(s), and position spark plug wire(s) away from spark plug(s).
3. Remove spark plug(s).
4. Remove the four screws attaching the valve cover. Remove and discard gasket. (Repeat for second cylinder, if equipped.)
5. Verify piston is at top dead center (TDC) of its compression stroke (both valves closed).

**NOTE:** To move piston to TDC, remove intake baffle at front of the engine to access the flywheel nut. Use a large socket and socket wrench to rotate flywheel nut clockwise, which will rotate the crankshaft. Watch piston through spark plug hole. Piston will move up and down. Piston is at TDC when at its highest point of travel.

- See [Figure 4-7](#) or [Figure 4-8](#). Verify valve clearance between each rocker arm (E) and valve stem (F) with a feeler gauge.



**Figure 4-7. Valve Clearance Adjustment (10 kW)**



**Figure 4-8. Valve Clearance Adjustment (20–24 kW)**

- Install replacement valve cover gasket(s).
- Install valve cover(s). Tighten fasteners in a cross pattern, tightening to:

|          |                    |
|----------|--------------------|
| 10 kW    | 80 in-lbs (9.0 Nm) |
| 20–24 kW | 60 in-lbs (6.8 Nm) |

### Adjusting Valve Clearance



#### ⚠ WARNING

Risk of Burn. Allow the engine to cool before performing the following procedure. Failure to do so could result in serious injury.

(000560)

**IMPORTANT NOTE:** Valve lash not required on 13 or 16 kW units with 816cc engine. See [Engine](#).

See [Figure 4-7](#) or [Figure 4-8](#). Proceed as follows to adjust valve clearance:

**NOTE:** Allow engine to cool before adjusting valve clearance.

- Remove spark plug wire(s) and position spark plug wire(s) away from spark plug(s).
- Remove spark plug(s).
- Remove the four screws attaching valve cover. Remove and discard gasket.
- Verify piston is at TDC of its compression stroke (both valves closed).
- Loosen rocker jam nut (C) using a 10 mm wrench (10 kW units) or 13 mm wrench (20–24 kW units).
- Turn pivot ball stud (D) using a 14 mm wrench (10 kW units), or 10 mm hex key (20–24 kW units) while inspecting clearance between rocker arm (E) and valve stem (F) with a feeler gauge. Adjust clearance as per [Engine](#).

**NOTE:** Hold rocker jam nut in place as pivot ball stud is turned.

- When valve clearance is correct, hold pivot ball stud in place with a wrench and tighten rocker arm jam nut. Tighten jam nut according to:

|          |                       |
|----------|-----------------------|
| 10 kW    | 53 in-lbs (6.0 Nm)    |
| 20–24 kW | 174 in-lbs (19.68 Nm) |

- Inspect valve clearance to verify it did not change.
- Install new valve cover gasket.
- Install valve cover. Tighten fasteners in a cross pattern. Tighten to:

|          |                    |
|----------|--------------------|
| 10 kW    | 80 in-lbs (9.0 Nm) |
| 20–24 kW | 60 in-lbs (6.8 Nm) |

**NOTE:** Start all four screws before tightening, or it will not be possible to get all screws in place. Verify valve cover gasket is in place.

- Install spark plug(s) and tighten to 18 ft-lbs (25 Nm).
- Attach spark plug wire(s) to spark plug(s).
- Repeat process for other cylinder if equipped.

### Battery Maintenance



#### ⚠ DANGER

Electrocution. Do not wear jewelry while working on this equipment. Doing so will result in death or serious injury.

(000188)



#### ⚠ WARNING

Explosion. Do not dispose of batteries in a fire. Batteries are explosive. Electrolyte solution can cause burns and blindness. If electrolyte contacts skin or eyes, flush with water and seek immediate medical attention.

(000162)


**WARNING**

Explosion. Batteries emit explosive gases while charging. Keep fire and spark away. Wear protective gear when working with batteries. Failure to do so could result in death or serious injury.

(000137a)


**WARNING**

Explosion. Batteries emit explosive gases. Always disconnect negative battery cable first to avoid spark. Failure to do so could result in death or serious injury.

(000238)


**WARNING**

Electrical shock. Disconnect battery ground terminal before working on battery or battery wires. Failure to do so could result in death or serious injury.

(000164)


**WARNING**

Risk of burns. Batteries contain sulfuric acid and can cause severe chemical burns. Wear protective gear when working with batteries. Failure to do so could result in death or serious injury.

(000138a)


**WARNING**

Risk of burn. Do not open or mutilate batteries. Batteries contain electrolyte solution which can cause burns and blindness. If electrolyte contacts skin or eyes, flush with water and seek immediate medical attention.

(000163a)

**WARNING**

Environmental Hazard. Always recycle batteries at an official recycling center in accordance with all local laws and regulations. Failure to do so could result in environmental damage, death, or serious injury.

(000228)

Always recycle batteries in accordance with local laws and regulations. Contact your local solid waste collection site or recycling facility to obtain information on local recycling processes. For more information on battery recycling, visit the Battery Council International website at: <http://batteryCouncil.org>

Strictly observe the following precautions when working on batteries:

- Remove 7.5A fuse from generator control panel.
- Disconnect battery charger as directed in *Inspecting the Battery*.
- Use tools with insulated handles.
- Wear rubber gloves and boots.

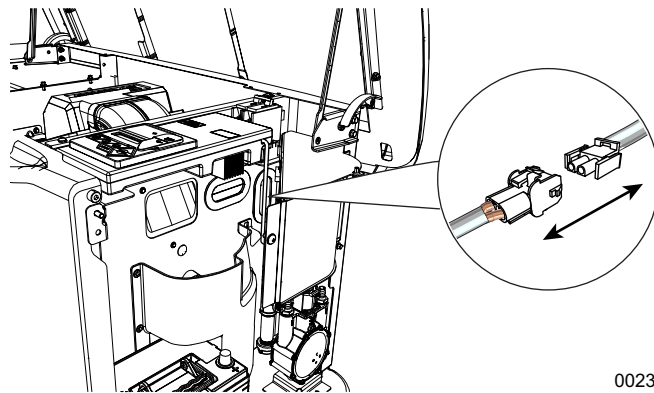
- Do not place tools or metallic objects on top of battery.
- Disconnect charging source prior to connecting or disconnecting battery terminals.
- Wear full eye protection and protective clothing.
- If electrolyte contacts skin, wash it off immediately with water.
- If electrolyte contacts eyes, flush thoroughly with water immediately and seek medical attention.
- Wash down spilled electrolyte with an acid neutralizing agent. A common practice is to use a solution of 1 lb (454 g) bicarbonate of soda to 1 gal (3.8 L) of water. Add bicarbonate of soda solution until evidence of reaction (foaming) has ceased. Flush resulting liquid with water and dry area completely.
- DO NOT smoke near battery.
- DO NOT cause flame or spark in battery area.
- Discharge static electricity from the body before touching battery by first touching a grounded metal surface.

Battery should be regularly inspected per *Service Schedule*. Contact an IASD for assistance if necessary.

### Inspecting the Battery

Proceed as follows to inspect battery:

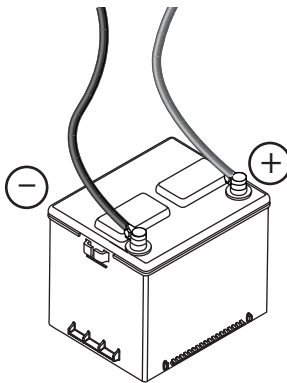
1. Press OFF button to shut down generator, then lift lid and remove front panel.
2. Remove 7.5A fuse from control panel.
3. Remove intake side panel. (See *Intake Side Panel Removal*.)
4. See *Figure 4-9*. Disconnect white battery charger cable.



002389

**Figure 4-9. Disconnecting Battery Charger Cable**

- See [Figure 4-10](#). Inspect battery posts and cables for tightness and corrosion. Tighten and clean as necessary.



001832

**Figure 4-10. Battery Cables**

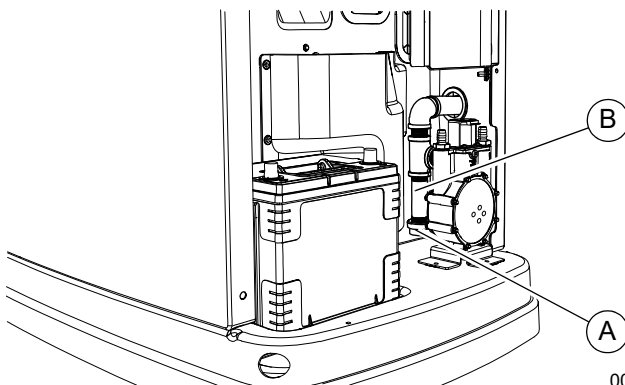
- Unsealed batteries only:** Completely disconnect battery, removing negative battery cable first. Check battery fluid level and, if necessary, fill with distilled water only. DO NOT use tap water. Have an IASD or a qualified service technician verify state of charge and condition.
- Connect positive battery cable, then negative battery cable.
- Connect battery charger cable.
- Install intake side panel, and install 7.5 A fuse.
- Press AUTO button on controller.
- Install front panel and close generator lid.

## Cleaning the Sediment Trap

The sediment trap removes contaminants (moisture and fine particles) from gaseous fuels before they enter the fuel regulator. Accumulated moisture and particles must be emptied from the sediment trap per local codes and guidelines.

Proceed as follows to clean sediment trap:

- Remove intake side panel. See [Intake Side Panel Removal](#).
- Turn generator fuel supply OFF.
- See [Figure 4-11](#). Unscrew and remove cap (A).



001821

**Figure 4-11. Cleaning the Sediment Trap**

- Use a clean-out tool (not provided) to remove accumulated moisture and particles from cap and body (B).
- Wipe inside of each component with a clean, dry, lint-free cloth.
- Seal threads of cap with appropriate sealing compound. Install cap and hand-tighten.
- Tighten cap with an appropriately sized pipe wrench. DO NOT overtighten.
- Turn generator fuel supply ON. Inspect for leaks by spraying all connection points with a non-corrosive gas leak detection fluid. Solution should not be blown away or form bubbles.
- Install intake side panel.

## Post Maintenance Checks

Proceed as follows to perform post maintenance checks:

- Perform required maintenance procedure(s).
- Install intake side panel and front panel if removed. (See [Intake Side Panel Removal](#) and [Front Access Panel Removal](#).)
- Install 7.5A fuse in control panel.
- Complete Install Wizard information.
- Press AUTO button on control panel. Allow unit to run for one minute with no load (if running during a utility outage).
- Set generator MLCB (generator disconnect) to ON (CLOSED).
- Set utility MLCB to ON (CLOSED).

The system is now in AUTO.

**NOTE:** If correct utility is present at this time, generator will perform its usual shutdown process.

## Performing Fuel System Leak Test



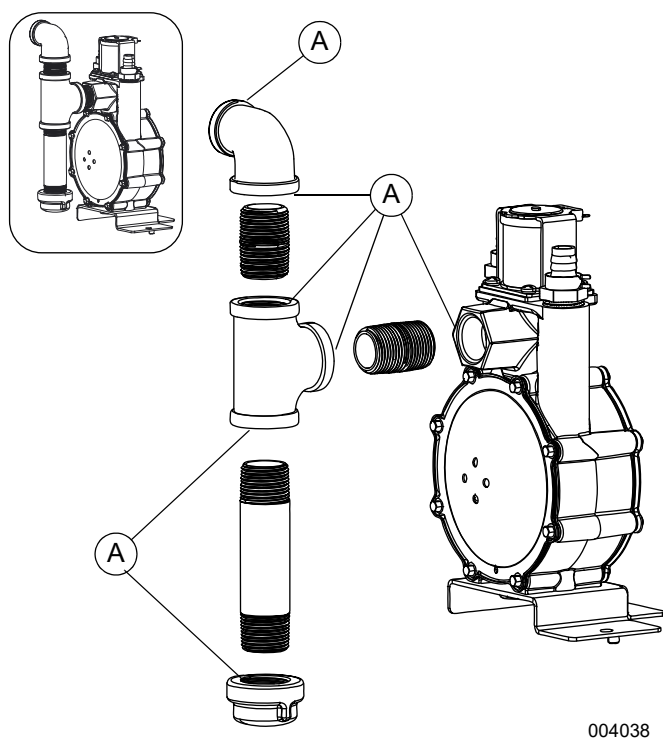
**⚠ DANGER**

Explosion and fire. Fuel and vapors are extremely flammable and explosive. No leakage of fuel is permitted. Keep fire and spark away. Failure to do so will result in death or serious injury. (000192)

All products are factory-tested before shipping to verify the performance and integrity of the fuel system. However, it is important to perform a final fuel system leak test before starting the generator. The entire fuel system should be tested from supply to regulator.

See [Figure 4-12](#). Perform a final fuel system leak test after generator installation. The test will identify possible leaks at all connection points (A).

It is best practice to perform a fuel system leak test during normally-scheduled maintenance.



**Figure 4-12. Connection Points to Leak Check**

Inspect for leaks by spraying all connection points with a non-corrosive gas leak detection fluid. The solution should not be blown away or form bubbles.

## Attention After Submersion

DO NOT start or operate generator if it has been submerged in water. Have an IASD thoroughly clean, dry, and inspect generator following any submersion in water. If the structure (home) has been flooded, it should be inspected by a certified electrician to verify there will not be any electrical problems during generator operation or when utility power is returned.

## Corrosion Protection

Regular scheduled maintenance should be conducted to inspect unit for corrosion. Inspect all metal components of generator, including base frame, brackets, alternator can, the entire fuel system (inside and outside of the generator), and fastener locations. If there is corrosion found on generator components (e.g. regulator, engine/alternator mounts, fuel plenum, etc.), replace parts as necessary.

Periodically wash and wax enclosure using automotive type products. Do not spray unit with a hose or power washer. Use warm, soapy water and a soft cloth. Frequent washing is recommended in salt water/coastal areas. Spray engine linkages with a light oil such as WD-40.

## Remove From and Return To Service Procedure

### Remove From Service



**⚠ WARNING**

Explosion. Batteries emit explosive gases. Always disconnect negative battery cable first to avoid spark. Failure to do so could result in death or serious injury. (000238)

If generator cannot be exercised monthly, at a minimum, and will be out of service longer than 90 days, proceed as follows to prepare generator for storage:

1. Start engine and allow it to warm up.
2. Close fuel shutoff valve in fuel supply line and allow engine to stop.
3. Set generator MLCB (generator disconnect) to OFF (OPEN) once engine has stopped.
4. Disconnect battery charger AC input T1/Neutral cable (with white sleeve) at controller.
5. Remove 7.5A fuse from generator control panel.
6. Disconnect battery cables. Remove negative battery cable first.
7. Drain oil completely while engine is still warm, and then fill crankcase with oil. See [Changing the Oil and Oil Filter](#).
8. Attach a tag to engine indicating viscosity and classification of the new oil in the crankcase.
9. Remove spark plug(s) and spray a fogging agent into spark plug(s) threaded openings. Install and tighten spark plug(s) to specification.
10. Remove battery and store in a cool, dry place.
11. Clean and wipe down generator enclosure.

## Return to Service



### **WARNING**

Explosion. Batteries emit explosive gases. Always connect positive battery cable first to avoid spark. Failure to do so could result in death or serious injury.

(000133)



### **CAUTION**

Equipment damage. Do not make battery connections in reverse. Doing so will result in equipment damage.

(000167a)

Proceed as follows to return unit to service after storage:

1. Inspect engine tag for oil viscosity and classification. Drain and fill with recommended oil if necessary.
2. Verify state of battery. Fill all cells of unsealed batteries to correct level with distilled water. **DO NOT** use tap water. Charge battery to 100% state of charge. Replace battery if faulty.
3. Clean and wipe down generator enclosure.
4. Verify 7.5A fuse is removed from generator control panel.
5. Connect battery. Observe battery polarity. Damage will occur if battery is connected incorrectly. Install positive battery cable first.
6. Connect battery charger AC input T1/Neutral cable (with white sleeve) at controller.
7. Open fuel shutoff valve.
8. Insert 7.5 A fuse into generator control panel.
9. Complete Install Wizard procedure (diagrammed in generator installation manual).
10. Press MANUAL button to start unit. Allow unit to warm up for a few minutes.
11. Press OFF button to stop unit.
12. Set generator MLCB (generator disconnect) to ON (CLOSED).
13. Press AUTO button on control panel.

The generator is ready for service.

**NOTE:** Exercise timer and current date and time must be reset if battery is discharged or has been disconnected.

# Section 5: Troubleshooting / Quick Reference Guide

## Generator Troubleshooting

| Problem   | Cause  | Correction   |
|---|--|--|
| Engine will not crank                           | Blown fuse.  | Correct short circuit condition by replacing 7.5 A fuse in generator control panel. Contact an IASD if fuse continues to blow.             |
|   | Loose, corroded, or faulty battery cables.                                     | Tighten, clean, or replace as necessary.*  |
|   | Faulty starter contact.  |  |
|   | Faulty starter motor.  |  |
|   | Discharged battery.  | Charge or replace battery.   |
| Engine cranks but will not start                | No fuel.   | Replenish fuel / turn on fuel valve.   |
|   | Faulty fuel solenoid (FS).   | Contact an IASD for assistance.  |
|   | Harness/wiring issue.  |  |
|   | Faulty spark plug(s).  | Clean; inspect spark plug gap; replace spark plug(s) if necessary.   |
|   | Valve clearance out of adjustment, if applicable. See <a href="#">Engine</a> . | Inspect and adjust valve clearance.  |
| Engine starts hard and runs rough               | Plugged or damaged air cleaner.  | Inspect and clean air cleaner.   |
|   | Faulty spark plug(s).  | Clean; inspect spark plug gap; replace spark plug(s) if necessary.   |
|   | Incorrect fuel pressure.   | Verify fuel pressure to regulator is 10–12 in water column (2.49–2.99 kPa) for LP gas, and 3.5–7.0 in water column (0.87–1.74 kPa) for NG. |
|   | Fuel selector in wrong position.   | Set fuel conversion valve to correct position and program controller for fuel type.  |
|   | Valve clearance out of adjustment, if applicable. See <a href="#">Engine</a> . | Inspect and adjust valve clearance.  |
|   | Internal engine issue.   | Contact an IASD for assistance.  |
| Unit is set to OFF, but engine continues to run | Controller wired incorrectly.  | Contact an IASD for assistance.  |
|   | Faulty control board.  |  |
| No AC output from generator                     | Generator MLCB (generator disconnect) is OFF (OPEN).                           | Set generator MLCB (generator disconnect) to ON (CLOSED).  |
|   | Generator internal failure.  | Contact an IASD for assistance.  |
|   | Engine may be warming up. See <a href="#">Cold Smart Start</a> .               | Check the controller screen to verify status.  |

| Problem   | Cause  | Correction  |
|---|--|---|
| No transfer to standby after utility source failure   | Generator MLCB (generator disconnect) is OFF (OPEN). | Set generator MLCB (generator disconnect) to ON (CLOSED).           |
|   | Faulty transfer switch coil.                         | Contact an IASD for assistance.                                     |
|   | Faulty transfer relay.                               |   |
|   | Transfer relay circuit open.                         |   |
|   | Faulty control logic board.                          | Engine may be warming up. See <b>Cold Smart Start</b> .             |
| Unit consumes large amounts of oil  | Excessive engine oil.                                | Adjust oil to correct level. See <b>Checking Engine Oil Level</b> . |
|   | Faulty engine breather.                              | Contact an IASD for assistance.                                     |
|   | Incorrect type or viscosity of oil.                  | See <b>Engine Oil Requirements</b> .                                |
|   | Damaged gasket, seal, or hose.                       | Inspect for oil leaks.  |
|   | Restricted air filter.                               | Replace air filter.   |
| Wi-Fi network connection broken or intermittent   | Various.   | See Wi-Fi module owner's manual.                                    |
| * Contact an IASD or visit <a href="http://www.generac.com">www.generac.com</a> for assistance. |  |   |



## Quick Reference Guide

To clear an active alarm, press OFF button on the control panel, then the ENTER button, and finally the AUTO button. Contact an IASD if alarm reoccurs.

| Active Alarm          | LED            | Problem  | Action                                       | Solution  |
|-----------------------|----------------|--|--|---|
| NONE                  | FLASHING GREEN | Unit running in AUTO but no power in house.          | Check generator MLCB (generator disconnect). | Check generator MLCB (generator disconnect). If it is ON, contact an IASD.  |
| HIGH TEMPERATURE      | RED            | Unit shuts down during operation.                    | Check LEDs / screen for alarms.              | Inspect ventilation around generator, intake, exhaust, and rear of generator. If no obstructions are present, contact an IASD.  |
| OVERLOAD REMOVE LOAD  | RED            | Unit shuts down during operation.                    | Check LEDs / screen for alarms.              | Clear alarm and remove household loads from generator. Put in AUTO and restart.   |
| RPM SENSE LOSS        | RED            | Unit was running and shut down, attempts to restart. | Check LEDs / screen for alarms.              | Clear alarm and remove household loads from generator. Put into AUTO and restart. If generator does not start, contact an IASD.   |
| NOT ACTIVATED         | NONE           | Unit will not start in AUTO with utility loss.       | Check if screen says unit not activated.     | See Activation section in installation manual.  |
| NONE                  | GREEN          | Unit will not start in AUTO with utility loss.       | Check screen for start delay countdown.      | If startup delay is greater than expected, contact an IASD to adjust from 2 to 1500 seconds.  |
| LOW OIL PRESSURE      | RED            | Unit will not start in AUTO with utility loss.       | Check LEDs / screen for alarms.              | Check oil level and add oil as needed. If oil level is correct, contact an IASD.  |
| RPM SENSE LOSS        | RED            | Unit will not start in AUTO with utility loss.       | Check LEDs / screen for alarms.              | Clear alarm. Using control panel, check battery by navigating to BATTERY MENU option from MAIN MENU. If battery condition displays GOOD, contact an IASD. If control panel displays CHECK BATTERY, replace battery. |
| OVERCRANK             | RED            | Unit will not start in AUTO with utility loss.       | Check LEDs / screen for alarms.              | Verify fuel line shutoff valve is ON. Clear alarm. Start unit in MANUAL. If it does not start, or starts and runs rough, contact an IASD.   |
| LOW VOLTS REMOVE LOAD | RED            | Unit will not start in AUTO with utility loss.       | Check LEDs / screen for alarms.              | Clear alarm and remove household loads from generator. Put in AUTO and restart.   |
| OVERSPEED             | RED            | Unit will not start in AUTO with utility loss.       | Check LEDs / screen for alarms.              | Contact an IASD.  |
| UNDERVOLTAGE          | RED            | Unit will not start in AUTO with utility loss.       | Check LEDs / screen for alarms.              | Contact an IASD.  |
| UNDERSPEED            | RED            | Unit will not start in AUTO with utility loss.       | Check LEDs / screen for alarms.              | Contact an IASD.  |
| STEPPER OVERCURRENT   | RED            | Unit will not start in AUTO with utility loss.       | Check LEDs / screen for alarms.              | Contact an IASD.  |
| WIRING ERROR          | RED            | Unit will not start in AUTO with utility loss.       | Check LEDs / screen for alarms.              | Contact an IASD.  |
| OVERVOLTAGE           | RED            | Unit will not start in AUTO with utility loss.       | Check LEDs / screen for alarms.              | Contact an IASD.  |

| Active Alarm       | LED    | Problem                              | Action                                   | Solution  |
|--------------------|--------|--------------------------------------|--|---|
| AUXILIARY SHUTDOWN | RED    | Unit will not start.                 | Check auxiliary shutdown switches        | Set auxiliary shutdown switch(es) to CLOSED (I). Clear alarm.   |
| LOW BATTERY        | YELLOW | Yellow LED illuminated in any state. | Check screen for additional information. | Clear alarm. Using control panel, check battery by navigating to BATTERY MENU option from MAIN MENU. If battery condition displays GOOD, contact an IASD. If control panel displays CHECK BATTERY, replace battery. |
| BATTERY PROBLEM    | YELLOW | Yellow LED illuminated in any state. | Check screen for additional information. | Contact an IASD.  |
| CHARGER WARNING    | YELLOW | Yellow LED illuminated in any state. | Check screen for additional information. | Contact an IASD.  |
| CHARGER MISSING AC | YELLOW | Yellow LED illuminated in any state. | Check screen for additional information. | Contact an IASD.  |
| SERVICE A          | YELLOW | Yellow LED illuminated in any state. | Check screen for additional information. | Perform SERVICE A maintenance. Press ENTER to clear.  |
| SERVICE B          | YELLOW | Yellow LED illuminated in any state. | Check screen for additional information. | Perform SERVICE B maintenance. Press ENTER to clear.  |
| INSPECT BATTERY    | YELLOW | Yellow LED illuminated in any state. | Check screen for additional information. | Inspect battery. Press ENTER to clear.  |



Part No. A0000705105 Rev. A 05/07/2020  
©2020 Generac Power Systems, Inc.  
All rights reserved.  
Specifications are subject to change without notice.  
No reproduction allowed in any form without prior written  
consent from Generac Power Systems, Inc.

**GENERAC®**



Generac Power Systems, Inc.  
S45 W29290 Hwy. 59  
Waukesha, WI 53189  
1-888-GENERAC (1-888-436-3722)  
[www.generac.com](http://www.generac.com)



*Owner's Manual*  
*For*  
*Automatic Transfer Switch*

100 - 200 Amp, Service Entrance/Non-Service Entrance

**Model Numbers**

**RTSW100A3**

**RTSC100A3**

**RTSW150A3**

**RTSW200A3**

**RTSC200A3**

MODEL NUMBER: \_\_\_\_\_

SERIAL NUMBER: \_\_\_\_\_

DATE PURCHASED: \_\_\_\_\_

WWW.GENERAC.COM  
888-436-3722

Para español , visita: <http://www.generac.com/service-support/product-support-lookup>

Pour le français, visiter : <http://www.generac.com/service-support/product-support-lookup>

**SAVE THIS MANUAL FOR FUTURE REFERENCE**

---

**⚠ WARNING**

California Proposition 65. This product contains or emits chemicals known to the state of California to cause cancer, birth defects, and other reproductive harm.

(000005)

# Table of Contents

---

## **Section 1 Safety**

|                                  |          |
|----------------------------------|----------|
| <b>1.1 General</b> .....         | <b>1</b> |
| <b>1.2 General Hazards</b> ..... | <b>1</b> |

## **Section 2 General Information**

|  |          |
|--|----------|
| <b>2.1 Introduction</b> .....                                | <b>3</b> |
| <b>2.2 Unpacking</b> .....                                   | <b>3</b> |
| <b>2.3 Equipment Description</b> .....                       | <b>3</b> |
| 2.3.1 Transfer Switch Mechanism .....                        | 3        |
| 2.3.2 Utility Service Circuit Breaker<br>(if equipped) ..... | 4        |
| <b>2.4 Transfer Switch Data Decal</b> .....                  | <b>4</b> |
| <b>2.5 Transfer Switch Enclosure</b> .....                   | <b>4</b> |
| <b>2.6 Safe Use of Transfer Switch</b> .....                 | <b>4</b> |
| <b>2.7 Load Management Options</b> .....                     | <b>4</b> |
| 2.7.1 Smart A/C Module .....                                 | 4        |
| 2.7.2 Smart Management Module (Optional) .....               | 5        |
| 2.7.3 Load Management Analysis .....                         | 5        |

## **Section 3 Installation**

|   |          |
|---|----------|
| <b>3.1 Introduction to Installation</b> .....       | <b>7</b> |
| <b>3.2 Mounting</b> .....                           | <b>7</b> |
| <b>3.3 Connecting Power Source and Load Lines</b> . | <b>7</b> |
| <b>3.4 Connecting Start Circuit Wires</b> .....     | <b>7</b> |
| <b>3.5 Connecting Smart A/C Module</b> .....        | <b>8</b> |
| 3.5.1 Control of Air Conditioner Load .....         | 8        |
| <b>3.6 Auxiliary Contacts</b> .....                 | <b>9</b> |

## **Section 4 Operation**

|   |           |
|---|-----------|
| <b>4.1 Functional Tests and Adjustments</b> .....   | <b>11</b> |
| <b>4.2 Manual Operation</b> .....                   | <b>11</b> |
| 4.2.1 Close to Utility Source Side .....            | 11        |
| 4.2.2 Close to Generator Source Side .....          | 11        |
| 4.2.3 Return to Utility Source Side .....           | 12        |
| <b>4.3 Voltage Checks</b> .....                     | <b>12</b> |
| 4.3.1 Utility Voltage Checks .....                  | 12        |
| 4.3.2 Generator Voltage Checks .....                | 12        |
| <b>4.4 Generator Tests Under Load</b> .....         | <b>12</b> |
| <b>4.5 Checking Automatic Operation</b> .....       | <b>13</b> |
| <b>4.6 Installation Summary</b> .....               | <b>13</b> |
| <b>4.7 Shutting Generator Down While Under Load</b> | <b>13</b> |
| <b>4.8 Testing The Smart A/C Module</b> .....       | <b>13</b> |
| <b>4.9 Testing The Smart Management Module</b> ..   | <b>14</b> |

## **Section 5 Drawings and Diagrams**

|   |           |
|---|-----------|
| <b>5.1 Installation Drawing</b> .....                             | <b>15</b> |
| 5.1.1 No. 0G6832-A 100A<br>SE & non-SE/150-200A non-SE .....      | 15        |
| 5.1.2 No. 0K2422-A 150/200A SE .....                              | 16        |
| <b>5.2 Interconnection Drawing</b> .....                          | <b>18</b> |
| 5.2.1 No. 0L3240-A (Part 1 of 4)<br>Liquid-cooled Generator ..... | 18        |
| 5.2.2 No. 0L3240-A (Part 2 of 4)<br>Liquid-cooled Generator ..... | 19        |
| 5.2.3 No. 0L3240-A (Part 3 of 4)<br>Air-cooled Generator .....    | 20        |
| 5.2.4 No. 0L3240-A (Part 4 of 4)<br>Air-cooled Generator .....    | 21        |

**This page intentionally left blank.**



# Section 1 Safety

## 1.1 — General

Read the following information carefully before attempting to install, operate or service this equipment. Also read the instructions and information on tags, decals, and labels that may be affixed to the transfer switch. Replace any decal or label that is no longer legible.



**⚠ WARNING**

Consult Manual. Read and understand manual completely before using product. Failure to completely understand manual and product could result in death or serious injury. (000100a)

The manufacturer cannot anticipate every possible circumstance that might involve a hazard. The warnings in this manual, and on tags and decals affixed to the unit are not all-inclusive. If using a procedure, work method or operating technique the manufacturer does not specifically recommend, ensure that it is safe. Also make sure the procedure, work method or operating technique used does not render the transfer switch unsafe.

Throughout this publication, and on tags and decals affixed to the generator, DANGER, WARNING, CAUTION and NOTE blocks are used to alert personnel to special instructions about a particular operation that may be hazardous if performed incorrectly or carelessly. Observe them carefully. Their definitions are as follows:

**⚠ DANGER**

Indicates a hazardous situation which, if not avoided, will result in death or serious injury.

(000001)

**⚠ WARNING**

Indicates a hazardous situation which, if not avoided, could result in death or serious injury.

(000002)

**⚠ CAUTION**

Indicates a hazardous situation which, if not avoided, could result in minor or moderate injury.

(000003)

**NOTE:**

Notes contain additional information important to a procedure and will be found within the regular text of this manual.

These safety warnings cannot eliminate the hazards that they indicate. Common sense and strict compliance with the special instructions while performing the action or service are essential to preventing accidents.

## 1.2 — General Hazards

- Any AC generator that is used for backup power if a NORMAL (UTILITY) power source failure occurs, must be isolated from the NORMAL (UTILITY) power source by means of an approved transfer switch. Failure to properly isolate the NORMAL and STANDBY power sources from each other may result in injury or death to electric utility workers, due to backfeed of electrical energy.
- Improper or unauthorized installation, operation, service or repair of the equipment is extremely dangerous and may result in death, serious personal injury, or damage to equipment and/or personal property.
- Extremely high power and dangerous voltages are present inside an installed transfer switch. Any contact with high voltage terminals, contacts or wires can result in LETHAL electric shock, while arc flash can cause blindness and severe burns. DO NOT WORK ON THE TRANSFER SWITCH UNTIL ALL POWER SUPPLIES TO THE SWITCH HAVE BEEN POSITIVELY TURNED OFF.
- Competent, qualified personnel should install, operate and service this equipment. Adhere strictly to local, state and national electrical and building codes. When using this equipment, comply with regulations the National Electrical Code (NEC), CSA Standard; C22.1 Canadian Electric Code and Occupational Safety and Health Administration (OSHA) have established.
- Never handle any kind of electrical device while standing in water, while barefoot, or while hands or feet are wet. DANGEROUS ELECTRICAL SHOCK MAY RESULT.
- Because jewelry conducts electricity, wearing it may cause dangerous electrical shock. Remove all jewelry (such as rings, watches, bracelets, etc.) before working on this equipment.
- If working on this equipment while standing on metal or concrete, place insulative mats over a dry wood platform. Work on this equipment only while standing on such insulative mats.
- Never work on this equipment while physically or mentally fatigued.

- Keep the transfer switch enclosure door closed and bolted at all times. Only qualified personnel should be permitted access to the switch interior.
- In case of an accident caused by electric shock, immediately shut down the source of electrical power. If this is not possible, attempt to free the victim from the live conductor but **AVOID DIRECT CONTACT WITH THE VICTIM**. Use a nonconducting implement, such as a dry rope or board, to free the victim from the live conductor. If the victim is unconscious, apply first aid and get immediate medical help.
- When an automatic transfer switch is installed for a standby generator set, the generator engine may crank and start at any time without warning. To avoid possible injury that might be caused by such sudden start-ups, the system's automatic start circuit must be disabled before working on or around the generator or transfer switch. Then place a "DO NOT OPERATE" tag on the transfer switch and on the generator.
- Any voltage measurements should be performed with a meter that meets UL3111 safety standards, and meets or exceeds overvoltage class CAT III.

## Section 2 General Information

### 2.1 — Introduction

Thank you for purchasing a Generac transfer switch. This manual has been prepared especially for the purpose of familiarizing personnel with the design, application, installation, operation and servicing of the applicable equipment. Read this manual carefully and comply with all instructions. This will help to prevent accidents or damage to equipment that might otherwise be caused by carelessness, incorrect application, or improper procedures.

Every effort has been expended to make sure that the contents of this manual are both accurate and current. The manufacturer, however, reserves the right to change, alter or otherwise improve the product or manual at any time without prior notice.

### 2.2 — Unpacking

Carefully unpack the transfer switch. Inspect closely for any damage that might have occurred during shipment. The purchaser must file with the carrier any claims for loss or damage incurred while in transit.

Check that all packing material is completely removed from the switch prior to installation.

### 2.3 — Equipment Description

The automatic transfer switch is used for transferring electrical load from a UTILITY (NORMAL) power source to a GENERATOR (STANDBY) power source. Such a transfer of electrical loads occurs automatically when the UTILITY power source has failed or is substantially reduced and the GENERATOR source voltage and frequency have reached an acceptable level. The transfer switch prevents electrical feedback between two different power sources (such as the UTILITY and GENERATOR sources) and, for that reason, codes require it in all standby electric system installations.

The transfer switch consists of a transfer mechanism, utility service disconnect circuit breaker (if equipped), a control relay, a Smart A/C module, fuses, terminal strip, and fuse holder for connection of sensing wires.

This transfer switch is suitable for use as service equipment if equipped with utility service circuit breaker.

#### 2.3.1— Transfer Switch Mechanism

These switches (Figure 2-1) are used with a single-phase system, when the single-phase NEUTRAL line is to be connected to a neutral lug and is not to be switched. Solderless, screw-type terminal lugs are standard.

Solderless, screw-type terminal lugs are standard.

The conductor size range is as follows:

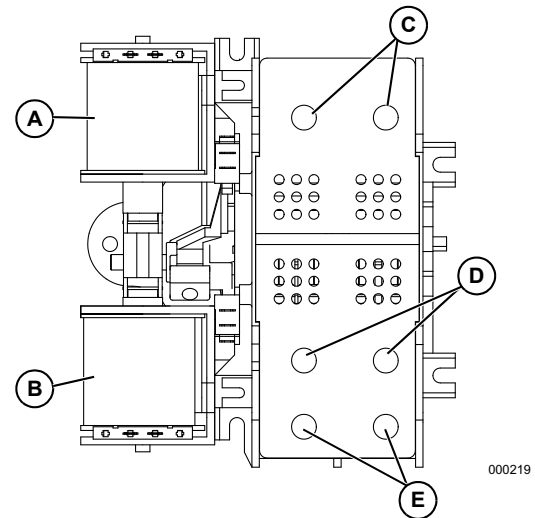
| Switch Rating | Wire Range          | Conductor Tightening Torque |
|---------------|---------------------|-----------------------------|
| 100A          | #14-1/0 AWG (Cu/Al) | 50 in-lbs (5.6 Nm)          |
| 150/200A      | #6-250 MCM (Cu/Al)  | 275 in-lbs (31 Nm)          |

This transfer switch is suitable for control of motors, electric discharge lamps, tungsten filament and electric heating equipment where the sum of motor full load ampere ratings and the ampere ratings of other loads do not exceed the ampere rating of the switch and the tungsten load does not exceed 30 percent of the switch rating.

This UL listed transfer switch is for use in optional standby systems only (NEC article 702).

A 100A rated switch is suitable for use on circuits capable of delivering not more than 10,000 RMS symmetrical amperes, 250 VAC maximum, when protected by a 100A maximum circuit breaker (Siemens types QP or BQ) or 150A maximum circuit breaker (Square D Q2, Westinghouse CA-CAH, General Electric TQ2 and Siemens QJ2).

A 200A rated switch is suitable for use on a circuit capable of 10,000 RMS symmetrical amperes, 240 VAC when protected by a circuit breaker without an adjustable short time response or by fuses.



**Figure 2-1. Typical Single-Phase ATS Transfer Mechanism**

|   |                          |
|---|--------------------------|
| A | Utility Closing Coil     |
| B | Generator Closing Coil   |
| C | Utility Lugs (N1 & N2)   |
| D | Generator Lugs (E1 & E2) |
| E | Load Lugs (T1 & T2)      |

### 2.3.2— Utility Service Circuit Breaker (if equipped)

The utility service and generator disconnect circuit breakers for 100 amp models are:

- Type BQ, 2-pole
- 120/240VAC, 100A
- 50/60 Hertz
- Wire range: #1 - #8 AWG (Cu/Al)
- The conductor tightening torque is 50 **in-lbs.** (5.6 Nm).

The utility service circuit breakers for 150/200 amp models are:

- Type 225AF, 2-pole
- 120/240VAC, 150A/200A
- 50/60 Hertz
- Wire range:
  - Line: 300 MCM - 6 STR (Cu/Al)
  - Load - ATS: 250 MCM - 6 STR (Cu/Al)
- The conductor tightening torque is:
  - Line: 375 **in-lbs** (42.4 Nm)
  - Load - ATS: 275 **in-lbs.** (31 Nm)

The utility service circuit breakers for Siemens 150/200 amp models are:

- Siemens, Type QN, 2-pole
- 120/240 VAC, 150/200A
- 50/60 Hertz
- Wire range:
  - Line: 300 MCM - 1 STR (Cu/Al)
  - Load - ATS: 250 MCM - 6 STR (Cu/Al)
- The conductor tightening torque is:
  - Line: 250 **in-lbs.** (28.2 Nm)
  - Load - ATS: 275 **in-lbs.** (31 Nm)

### 2.4 — Transfer Switch Data Decal

A data decal is permanently affixed to the transfer switch enclosure. Use this transfer switch only with the specific limits shown on the data decal and on other decals and labels that may be affixed to the switch. This will prevent damage to equipment and property.

When requesting information or ordering parts for this equipment, make sure to include all information from the data decal.

For future reference, record the Model and Serial numbers in the space provided on the front cover of this manual

### 2.5 — Transfer Switch Enclosure

The standard switch enclosure is a National Electrical Manufacturer's Association (NEMA) and UL 3R type. UL and NEMA 3R (indoor/outdoor rated) type enclosures primarily provide a degree of protection against falling rain and sleet; are undamaged by the formation of ice on the enclosure.

### 2.6 — Safe Use of Transfer Switch



#### ⚠ WARNING

Consult Manual. Read and understand manual completely before using product. Failure to completely understand manual and product could result in death or serious injury. (000100a)

Before installing, operating or servicing this equipment, read the SAFETY RULES carefully. Comply strictly with all SAFETY RULES to prevent accidents and/or damage to the equipment. The manufacturer recommends that a copy of the SAFETY RULES be posted near the transfer switch. Also, be sure to read all instructions and information found on tags, labels and decals affixed to the equipment.

Two publications that outline the safe use of transfer switches are the following:

- NFPA 70; National Electrical Code
- UL 1008, STANDARD FOR SAFETY-AUTOMATIC TRANSFER SWITCHES

**NOTE:** It is essential to use the latest version of any standard to ensure correct and current information.

### 2.7 — Load Management Options

Load management systems are designed to work together to prevent a generator from being overloaded by large appliance loads. A Smart A/C Module is standard in these switches. An optional Smart Management Module is also available.

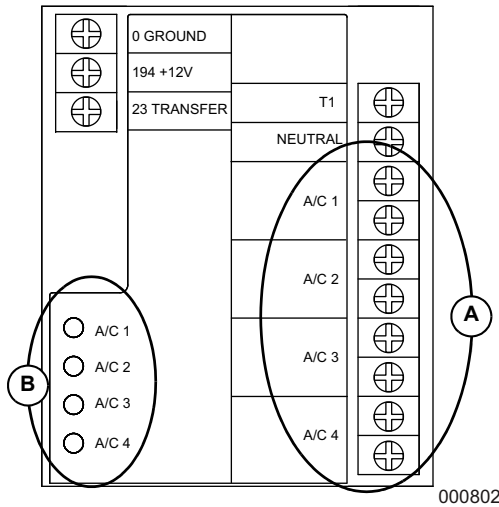
#### 2.7.1— Smart A/C Module

Up to four air conditioner loads can be managed by the Smart A/C Module. The Smart A/C Module manages the loads by “shedding” the connected loads in the event of a drop in generator frequency (overload). Loads to be “shed” are in 4 priority levels on the module.

Priorities A/C 1-4 (A in Figure 2-2) have connections for an air conditioner. To control an air conditioner, no additional equipment is required. Internal normally closed relays interrupt the 24 VAC thermostat control signal to disable the air conditioner load.

Four LEDs, located on the Smart A/C Module (B in Figure 2-2), illuminate when a load is connected and powered.

The Smart A/C Module has a test button used to simulate an overload condition. This button operates even when the transfer signal is inactive.

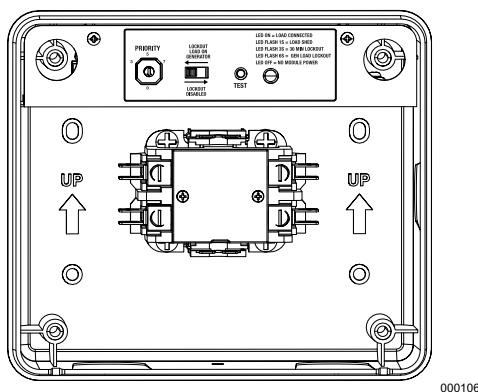


**Figure 2-2. Smart A/C Module**

**2.7.2— Smart Management Module (Sold Separately)**

Any loads, including central air conditioners, can be managed using a Smart Management Module (SMM). The system can accommodate up to eight individual SMM modules.

**NOTE:** The SMM modules are self-contained and have individual built-in controllers.



**Figure 2-3. Smart Management Module**

**2.7.3— Application Considerations**

Generator overload condition is determined by generator frequency. Loads are shed when frequency is less than 58 Hz for three seconds or less than 50 Hz for ½ second (for 60 Hz systems).

The Smart A/C Module can be used in conjunction with individual Smart Management Modules (SMM) to manage a combined total of eight loads.

- Use Priorities A/C 1-4 on the Smart A/C Module as the top priorities, then up to four Smart Management Modules as Priorities 5-8.
- Use only select A/C priorities on the Smart A/C Module as the top priorities, then use additional Smart Management Modules as the remaining priorities.
- A Smart Management Module can share a priority with an A/C priority on the Smart A/C Module provided the generator is sized to handle the combined surge load from both appliances. Sharing priorities can allow up to 12 loads to be managed in a properly sized system.

In any combination of modules, the recovery times after a loss of utility power or shutdown due to overload are shown in Table 1.

**Table 1. Priority Settings**

| Priority | Recovery Time        | Smart A/C Module | Smart Management Module |
|----------|----------------------|------------------|-------------------------|
| 1        | 5 minutes            | Yes              | Yes                     |
| 2        | 5 minutes 15 seconds | Yes              | Yes                     |
| 3        | 5 minutes 30 seconds | Yes              | Yes                     |
| 4        | 5 minutes 45 seconds | Yes              | Yes                     |
| 5        | 6 minutes            | NA               | Yes                     |
| 6        | 6 minutes 15 seconds | NA               | Yes                     |
| 7        | 6 minutes 30 seconds | NA               | Yes                     |
| 8        | 6 minutes 45 seconds | NA               | Yes                     |

Refer to the SMM Owner’s/Installation Manual for detailed characteristics and specifications of that product.

**This page intentionally left blank.**

## Section 3 Installation

### 3.1 — Introduction to Installation

This equipment has been wired and tested at the factory. Installing the switch includes the following procedures:

- Mounting the enclosure.
- Connecting power source and load leads.
- Connecting the generator start and sensing circuit.
- Connecting any auxiliary contact (if needed).
- Testing functions.

### 3.2 — Mounting

Mounting dimensions for the transfer switch enclosure are in this manual. Enclosures are typically wall-mounted. See the “Installation Diagram” section.

#### DANGER

Equipment malfunction. Installing a dirty or damaged transfer switch will cause equipment malfunction and will result in death or serious injury.

(000119)

This transfer switch is mounted in a UL type 3R enclosure. It can be mounted outside or inside and should be based on the layout of installation, convenience and proximity to the utility supply and load center.

Install the transfer switch as close as possible to the electrical loads that are to be connected to it. Mount the switch vertically to a rigid supporting structure. To prevent switch distortion, level all mounting points. If necessary, use washers behind mounting holes to level the unit.

### 3.3 — Connecting Power Source and Load Lines



#### DANGER

Electrocution. Turn utility and emergency power supplies to OFF before connecting power source and load lines. Failure to do so will result in death or serious injury.

(000116)

Installation and interconnection diagrams are provided in this manual.

**NOTE:** All installations must comply with national, state and local codes. It is the responsibility of the installer to perform an installation that will pass the final electrical inspection.

The utility supply connection is made at the utility service disconnect circuit breaker terminals. The generator and customer load connections are made at the transfer switch mechanism, inside the switch enclosure.

Conductor sizes must be adequate to handle the maximum current to which they will be subjected, based on the 75°C column of tables, charts, etc. used to size conductors. The installation must comply fully with all applicable codes, standards and regulations.

All power cables can enter the enclosure through the knockouts provided. If not using the knockouts, conduit entry into the enclosure above the level of uninsulated live parts shall use fittings listed for use in wet locations to maintain the Type 3R rating. Conduits should be arranged to provide separation between the Utility and Generator supply conductors inside the enclosure.

**NOTE:** If aluminum conductors are used, apply corrosion inhibitor to conductors. After tightening terminal lugs, carefully wipe away any excess corrosion inhibitor.

Tighten terminal lugs to the torque values as noted on the decal located on the inside of the door. After tightening terminal lugs, carefully wipe away any excess corrosion inhibitor.

#### CAUTION

Equipment damage. Verify all conductors are tightened to the factory specified torque value. Failure to do so could result in damage to the switch base.

(000120)

Connect power source and load conductors to clearly marked terminal lugs on transfer mechanism as follows:

1. Connect utility (normal) power source cables to utility service disconnect circuit breaker if equipped, or N1 and N2 lugs of the transfer switch. See Figure 2-1.
2. Connect the generator (standby) source power cables to transfer switch terminals E1, E2.
3. Connect customer LOAD leads to switch terminals T1, T2.

### 3.4 — Connecting Start Circuit Wires

Control system interconnections may consist of N1, N2, and T1, and leads 23 and 194. The generator control wiring is a Class 1 signaling circuit. Reference instruction manual of specific engine generator for wiring connection details. Recommended wire gauge sizes for this wiring depends on the length of the wire, as recommended in the following chart:

| Maximum Wire Length  | Recommended Wire Size |
|----------------------|-----------------------|
| 1-115 ft (1-35m)     | No. 18 AWG.           |
| 116-185 ft (36-56m)  | No. 16 AWG.           |
| 186-295 ft (57-89m)  | No. 14 AWG.           |
| 296-460 ft (90-140m) | No. 12 AWG.           |

**Exception:** Conductors of AC and DC circuits, rated 1000 volts nominal, or less, shall be permitted to occupy the same equipment, cable, or conduit. All conductors shall have an insulation rating equal to at least the maximum circuit voltage applied to any conductor within the equipment, cable, or conduit. See NEC 300.3(C)(1).

### 3.5 — Connecting Smart A/C Module

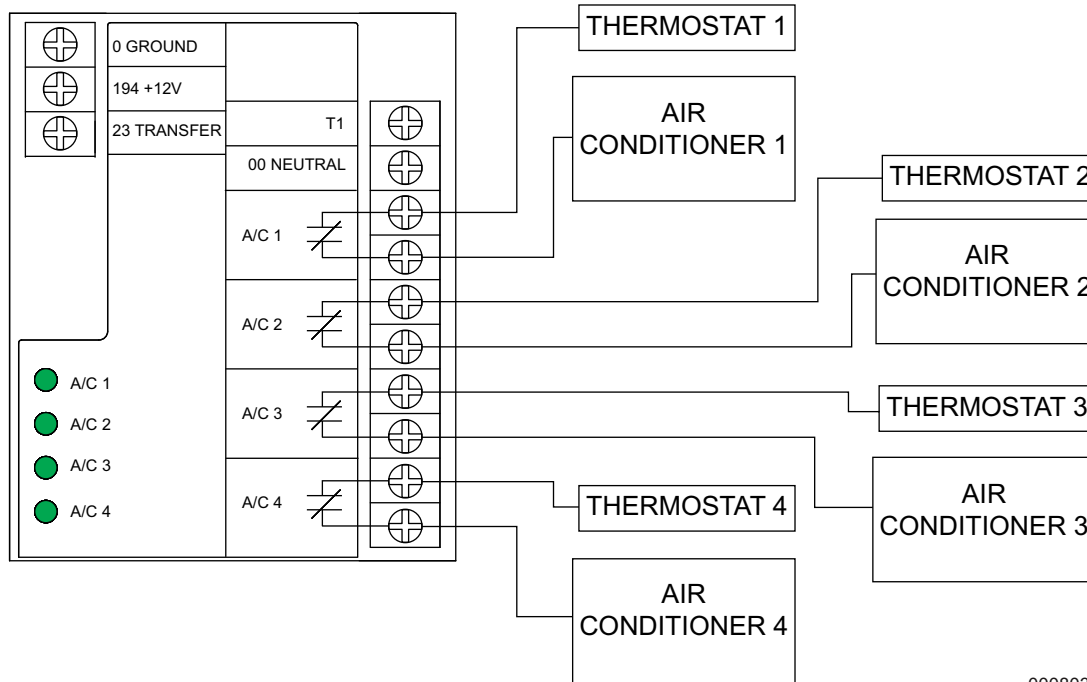
The Smart A/C Module can control an air conditioner (24 VAC) directly. See Figure 3.1.

#### 3.5.1— Control of Air Conditioner Load

1. Route the thermostat cable (from the furnace/thermostat to the outdoor air conditioner unit) to the transfer switch.
2. Connect the wire to the terminal strip terminals (A/C 1) on the Smart A/C Module as shown in Figure 3.1. These are normally closed contacts which open upon load shed conditions. Route thermostat wire away from high voltage wires.
3. If required, connect additional air conditioners to the terminal strip terminals (A/C 2-4).

| Contact Ratings |                     |
|-----------------|---------------------|
| A/C 1-4         | 24 VAC, 1.0 Amp Max |

**NOTE:** These instructions are for a typical air conditioner installation. Control of certain heat pumps and 2-stage air conditioners may require special connections or the use of Smart Management Modules (SMM) to control the loads.



000803

**Figure 3-1. Typical Smart A/C Connections**



### 3.6 — Auxiliary Contacts

If desired, there are Auxiliary Contacts on the transfer switch to operate customer accessories, remote advisory lights, or remote annunciator devices. A suitable power source must be connected to the common terminal (D). See Figure 3-2.

Contact operation is shown in the following chart:

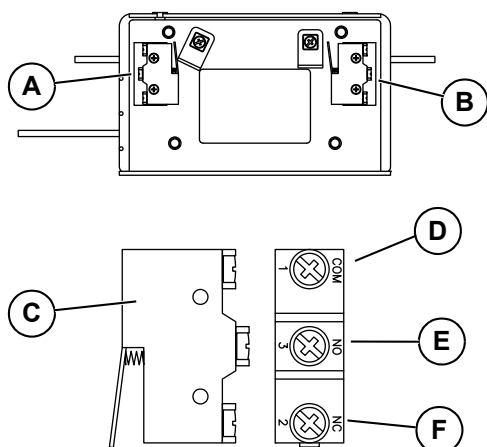
|                           | Switch Position |         |
|---------------------------|-----------------|---------|
|                           | Utility         | Standby |
| Common to Normally Open   | Open            | Closed  |
| Common to Normally Closed | Closed          | Open    |

**NOTE: Auxiliary Contacts are rated 10 amps at 125 or 250 volts AC.**



Equipment damage. Exceeding rated voltage and current will result in damage to the auxiliary contacts.

(000134)



000140

**Figure 3-2. Auxiliary Contacts**

|   |                                   |
|---|-----------------------------------|
| A | Auxiliary Contact (Actuated)      |
| B | Auxiliary Contact (Non-Actuated)  |
| C | Single Contact (Utility Position) |
| D | Common Terminal                   |
| E | Normally Open Terminal            |
| F | Normally Closed Terminal          |

**This page intentionally left blank.**

## Section 4 Operation

### 4.1 — Functional Tests and Adjustments

Following transfer switch installation and interconnection, inspect the entire installation carefully. A competent, qualified electrician should inspect it. The installation should comply strictly with all applicable codes, standards, and regulations. When absolutely certain the installation is proper and correct, complete a functional test of the system.

#### CAUTION

Equipment damage. Perform functional tests in the exact order they are presented in the manual. Failure to do so could result in equipment damage.

(000121)

**IMPORTANT:** Before proceeding with functional tests, read and make sure all instructions and information in this section is understood. Also read the information and instructions of labels and decals affixed to the switch. Note any options or accessories that might be installed and review their operation.

### 4.2 — Manual Operation



#### DANGER

Electrocution. Do not manually transfer under load. Disconnect transfer switch from all power sources prior to manual transfer. Failure to do so will result in death or serious injury, and equipment damage.

(000132)

A manual handle is shipped with the transfer switch. See 1 in Figure 4-1. Manual operation must be checked **BEFORE** the transfer switch is operated electrically. To check manual operation, proceed as follows:

1. Ensure the generator is in the OFF mode.
2. Turn OFF both UTILITY (service disconnect circuit breaker) and EMERGENCY (generator main line circuit breaker) power supplies to the transfer switch.
3. Note position of transfer mechanism main contacts by observing the movable contact carrier arm. This can be viewed through the long narrow slot in the inside cover of the ATS. The top of the movable contact carrier arm is yellow to be easily identified.
  - Manual operation handle in the UP position - LOAD terminals (T1, T2) are connected to UTILITY terminals (N1, N2).

- Manual operation handle in the DOWN position - LOAD terminals (T1, T2) are connected to EMERGENCY terminals (E1, E2).

#### CAUTION

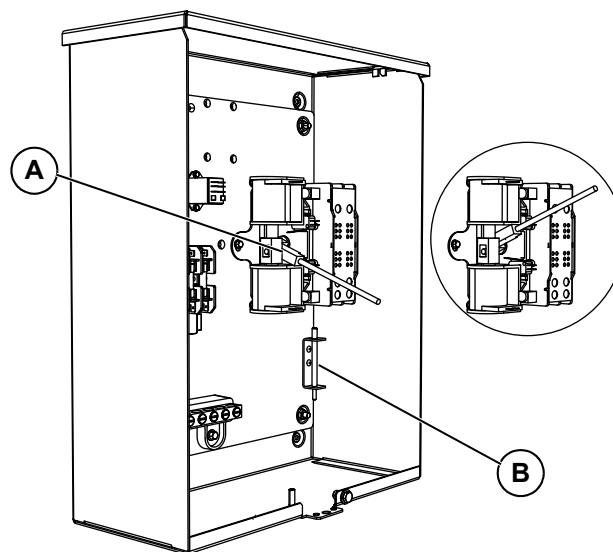
Equipment damage. Do not use excessive force while manually operating the transfer switch. Doing so could result in equipment damage.

(000122)

#### 4.2.1— Close to Utility Source Side

Before proceeding, verify the position of the switch by observing the position of manual operation handle in Figure 4-1. If the handle is UP, the contacts are closed in the NORMAL (UTILITY) position, no further action is required. If the handle is DOWN, proceed with Step 1.

1. With the handle inserted into the movable contact carrier arm (see A in Figure 4-1), move handle UP. Be sure to hold on to the handle as it will move quickly after the center of travel.
2. Remove manual operating handle from movable contact carrier arm. Return handle to storage bracket (see B in Figure 4-1).



000228

**Figure 4-1.**

#### 4.2.2— Close to Generator Source Side

Before proceeding, verify the position of the switch by observing the position of the manual operation handle in Figure 4-1. If the handle is DOWN, the

**contacts are closed in the GENERATOR (STANDBY) position. No further action is required. If the handle is UP, proceed with Step 1.**

1. With the handle inserted into the movable contact carrier arm, move the handle DOWN. Be sure to hold on to the handle as it will move quickly after the center of travel.
2. Remove manual operating handle from movable contact carrier arm. Return handle to storage bracket.

#### 4.2.3— Return to Utility Source Side

1. Manually actuate switch to return manual operating handle to the UP position.
2. Remove manual operating handle from movable contact carrier arm. Return handle to storage bracket.

### 4.3 — Voltage Checks

#### 4.3.1— Utility Voltage Checks

1. Turn ON the UTILITY power supply to the transfer switch using the utility service disconnect circuit breaker.



**⚠ DANGER**

Electrocution. High voltage is present at transfer switch and terminals. Contact with live terminals will result in death or serious injury.

(000129)

2. With an accurate AC voltmeter, check for correct voltage. Measure across ATS terminal lugs N1 and N2; N1 to NEUTRAL and N2 to NEUTRAL.



**⚠ DANGER**

Electrocution. Turn utility supply OFF before working on utility connections of the transfer switch. Failure to do so will result in death or serious injury.

(000123)

#### 4.3.2— Generator Voltage Checks

1. On the generator panel, select the MANUAL mode of operation. The generator should crank and start.
2. Let the generator stabilize and warm up at no-load for at least five minutes.

3. Set the generator's main circuit breaker (CB1) to its ON or CLOSED position.



**⚠ DANGER**

Electrocution. High voltage is present at transfer switch and terminals. Contact with live terminals will result in death or serious injury.

(000129)

4. With an accurate AC voltmeter and frequency meter, check the no-load, voltage and frequency. Measure across ATS terminal lugs E1 to E2; E1 to NEUTRAL and E2 to NEUTRAL.

|                         |             |
|-------------------------|-------------|
| Frequency               | 60-62 Hz    |
| Terminals E1 to E2      | 240-246 VAC |
| Terminals E1 to NEUTRAL | 120-123 VAC |
| Terminals E2 to NEUTRAL | 120-123 VAC |

5. When certain that generator supply voltage is correct and compatible with transfer switch ratings, turn OFF the generator supply to the transfer switch.
6. Set the generator main circuit breaker (CB1) to OFF or OPEN.
7. On the generator panel, select the OFF mode to shut down the generator.

**NOTE: Do NOT proceed until generator AC output voltage and frequency are correct and within stated limits. If the no-load voltage is correct but no-load frequency is incorrect, the engine governed speed may require adjustment. If no-load frequency is correct but voltage is not, the voltage regulator may require adjustment.**

### 4.4 — Generator Tests Under Load

1. Set the generator main circuit breaker to OFF or OPEN.
2. Set the utility service disconnect circuit breaker to OFF or OPEN.
3. Manually actuate the transfer switch main contacts to the emergency (Standby) position. See “Manual Operation”.
4. To start the generator, select the MANUAL mode of operation. When engine starts, let it stabilize for a few minutes.
5. Set the generator main circuit breaker to ON or CLOSED. The generator now powers all LOAD circuits. Check generator operation under load as follows:
  - Turn on electrical loads to the full rated wattage/ amperage capacity of the generator. DO NOT OVERLOAD.

- With maximum rated load applied, check voltage and frequency across transfer switch terminals E1 and E2. Voltage should be greater than 230 VAC (240 VAC system); frequency should be greater than 59 Hz.
  - Verify that the gas pressure remains within acceptable parameters (see the generator Installation Guidelines manual).
  - Let the generator run under rated load for at least 30 minutes. With unit running, listen for unusual noises, vibration, overheating, etc., that might indicate a problem.
6. When checkout under load is complete, set main circuit breaker of the generator to the OFF or OPEN position.
  7. Let the generator run at no-load for several minutes. Then, shut down by selecting the OFF mode.
  8. Move the main switch contacts back to the utility position.

**NOTE:** See “Manual Operation”. Handle and operating lever of transfer switch should be in down position.

9. Turn on the utility power supply to transfer switch, using whatever means provided (such as a utility main line circuit breaker). The utility power source now powers the loads.
10. The system is now set for fully automatic operation.

## 4.5 — Checking Automatic Operation

To check the system for proper automatic operation, proceed as follows:

1. Verify generator is in OFF mode.
2. Verify switch is de-energized.
3. Install front cover of the transfer switch.
4. Turn the utility power supply to the transfer switch ON, using the utility main line circuit breaker.
5. Set the generator main circuit breaker to ON.
6. On the generator panel, select AUTO. The system is now ready for automatic operation.
7. Turn utility power supply to the transfer switch OFF.

**With the generator ready for automatic operation, the engine should crank and start when the utility source power is turned OFF after a ten second delay (factory default setting). After starting, the transfer switch should connect load circuits to the standby side after a five (5) second delay. Let the system operate through its entire automatic sequence of operation.**

**With the generator running and loads powered by generator AC output, turn ON the utility power supply to the transfer switch. The following should occur:**

- After approximately 15 seconds, the switch should transfer loads back to the utility power source.
- Approximately one minute after re-transfer, the engine should shut down.

**With the generator in the AUTOMATIC mode, the system is now set for fully automatic operation.**

## 4.6 — Installation Summary

1. Verify the installation has been properly performed as outlined by the manufacturer and that it meets all applicable laws and codes.
2. Verify proper operation of the system as outlined in the appropriate installation and owner’s manuals.
3. Educate the end-user on the proper operation, maintenance and service call procedures.

## 4.7 — Shutting Generator Down While Under Load

**Important! To turn the generator off during utility outages to perform maintenance, or conserve fuel, follow these steps:**

To turn the generator OFF (while running in AUTO and online):

1. Turn the main utility disconnect OFF.
2. Turn the main line circuit breaker (MLCB) on the generator to OFF (OPEN).
3. Turn the generator OFF.

To turn the generator back ON:

1. Put the generator back into AUTO and allow to start and warm-up for a few minutes.
2. Set the MLCB on the generator to ON.

The system will now be operating in automatic mode. The main utility disconnect can be turned ON (CLOSED).

If Utility returns, the transfer switch will return to utility mode and the generator will cycle off after it times out.

## 4.8 — Testing The Smart A/C Module

A Test pushbutton is provided on the bottom of the Smart A/C Module to test the operation of the load shed functions. The Test button will work when the ATS is in the Utility or the Generator position.

1. Turn on the Utility supply to the ATS.
2. Verify managed loads are powered and all LEDs illuminate on Smart A/C Module.
3. Press the TEST button on the Smart A/C Module.
4. Verify that all of the connected loads to be “shed” become disabled.

5. After five (5) minutes verify A/C 1 is energized and Status LED A/C 1 is ON.
6. After another 15 seconds, verify A/C 2 is energized and Status LED A/C 2 is ON.
7. After another 15 seconds, verify Load A/C 3 is energized and Status LED Load A/C 3 is ON.
8. After another 15 seconds, verify A/C 4 is energized and Status LED A/C 4 is ON.

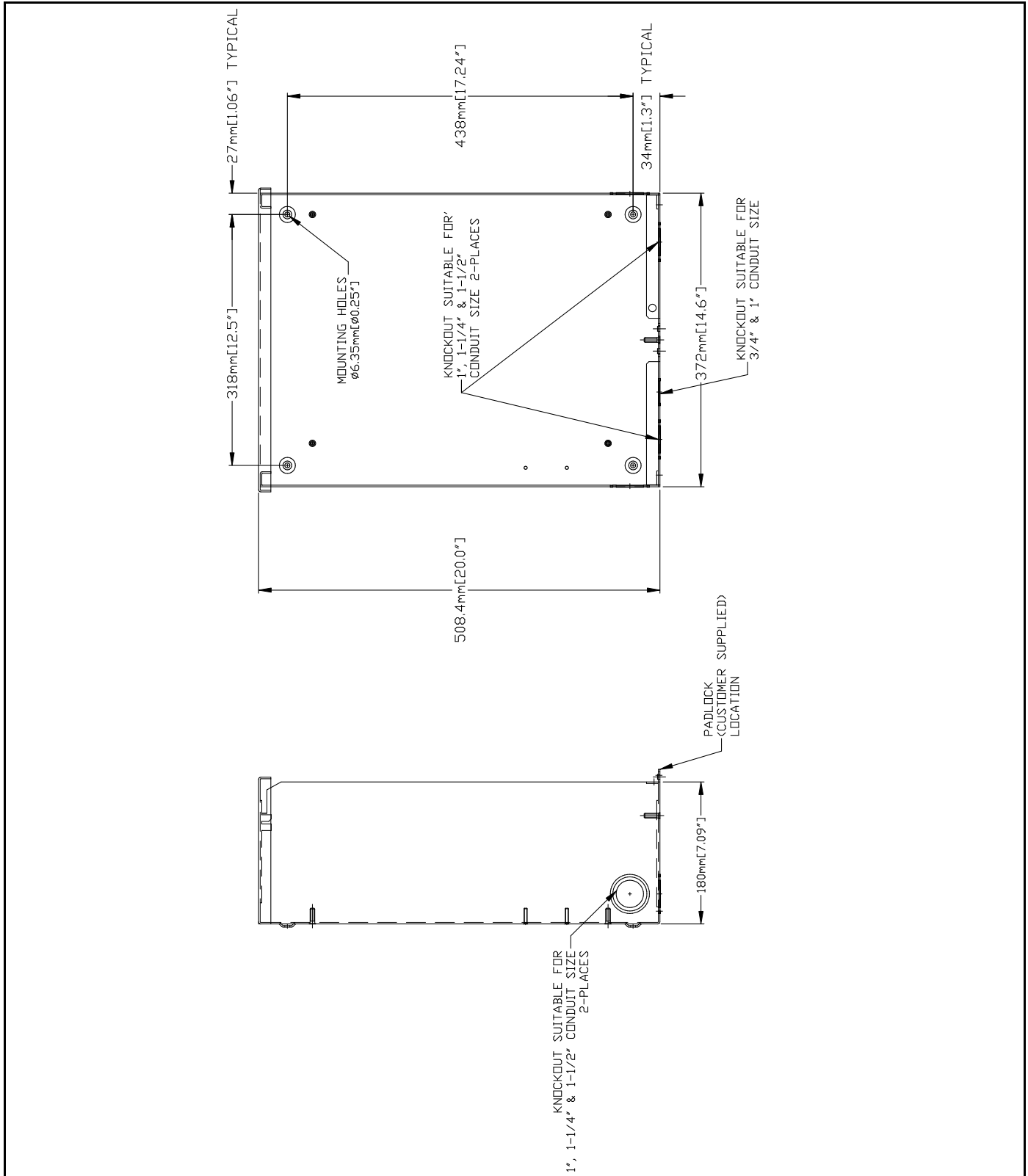
## **4.9 — Testing The Smart Management Module**

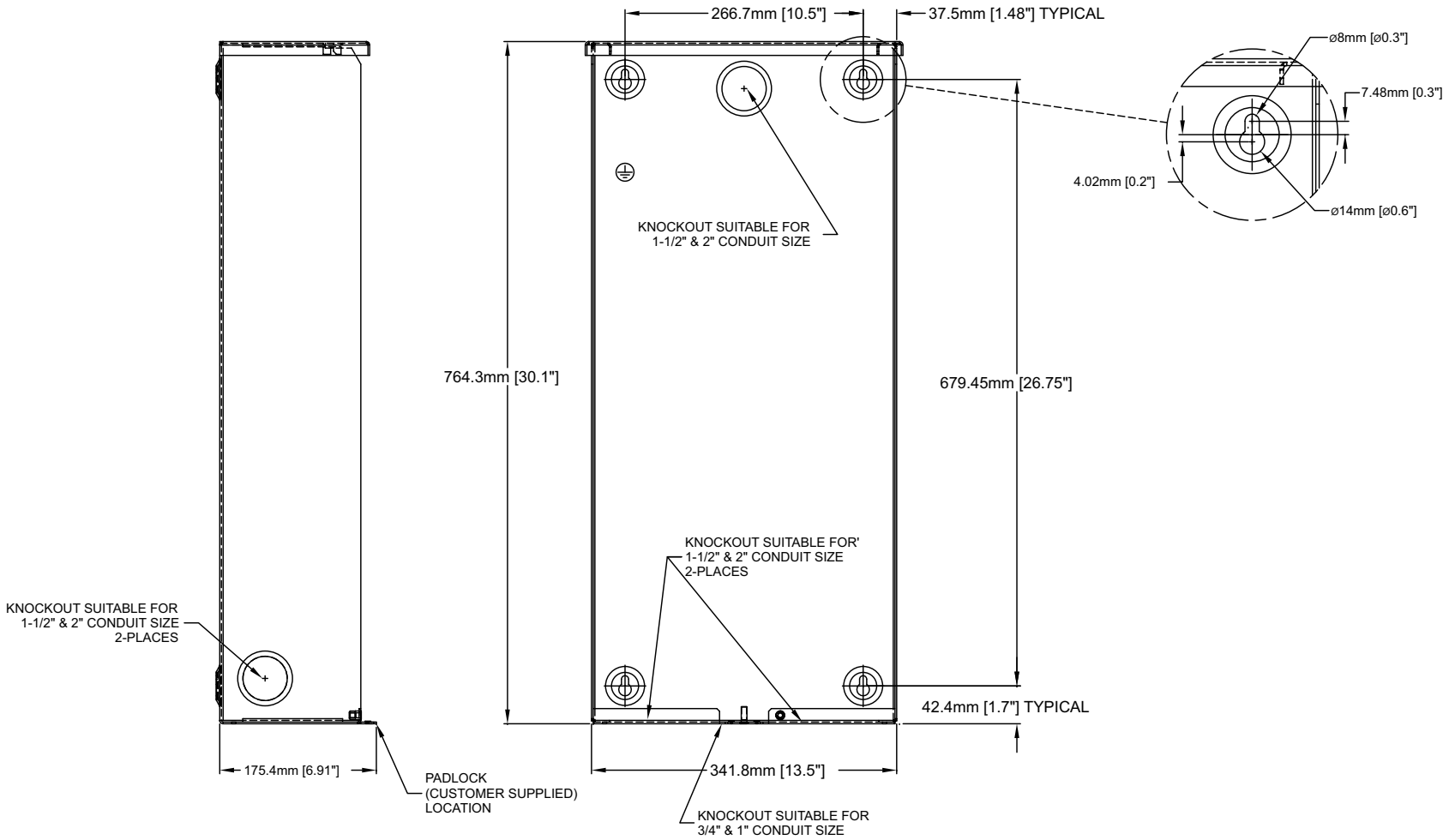
Refer to the SMM Owner's/Installation Manual for testing that product.

# Section 5 Drawings and Diagrams

## 5.1 — Installation Drawing

### 5.1.1— No. 0G6832-A 100A SE & non-SE/150-200A non-SE



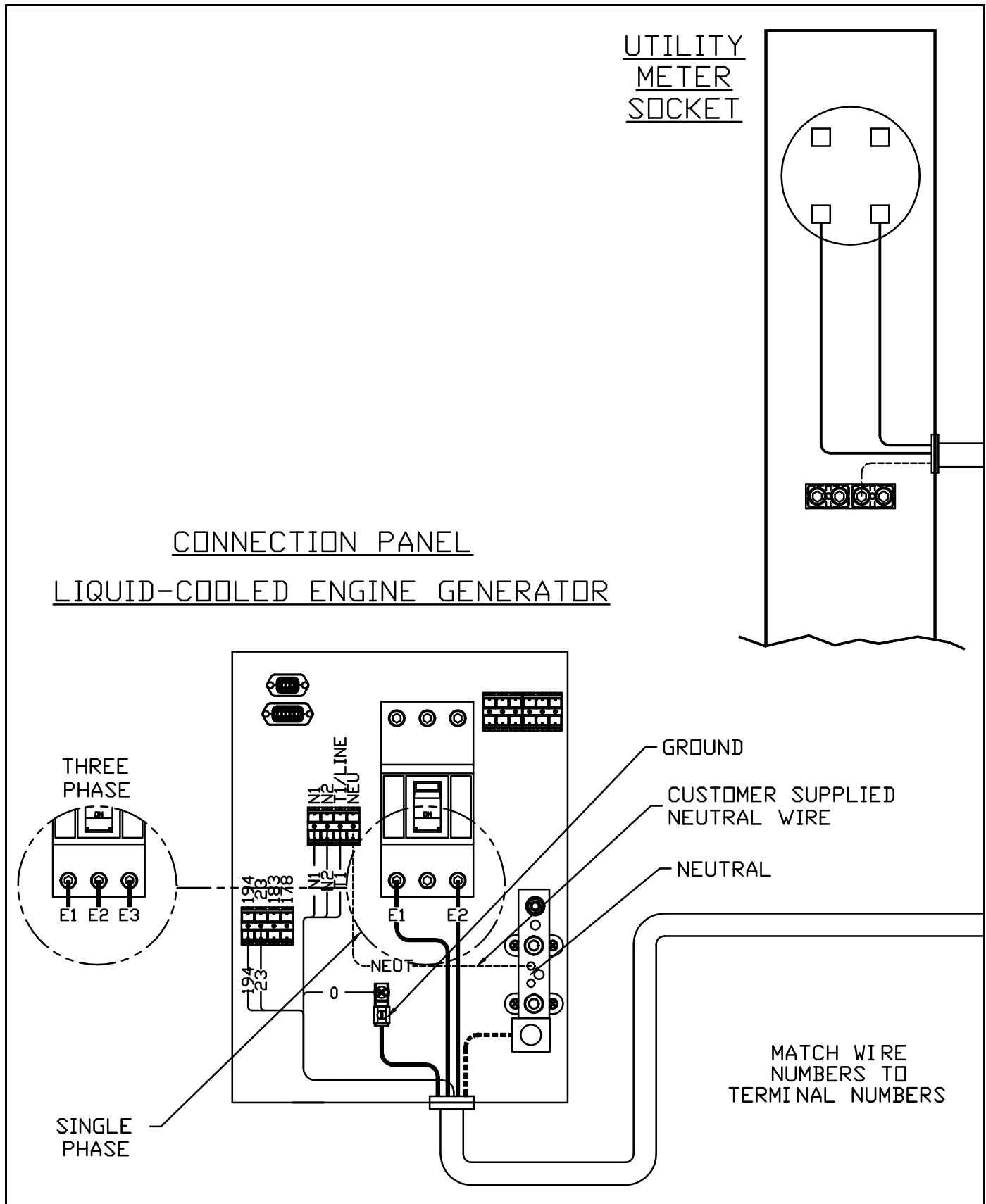




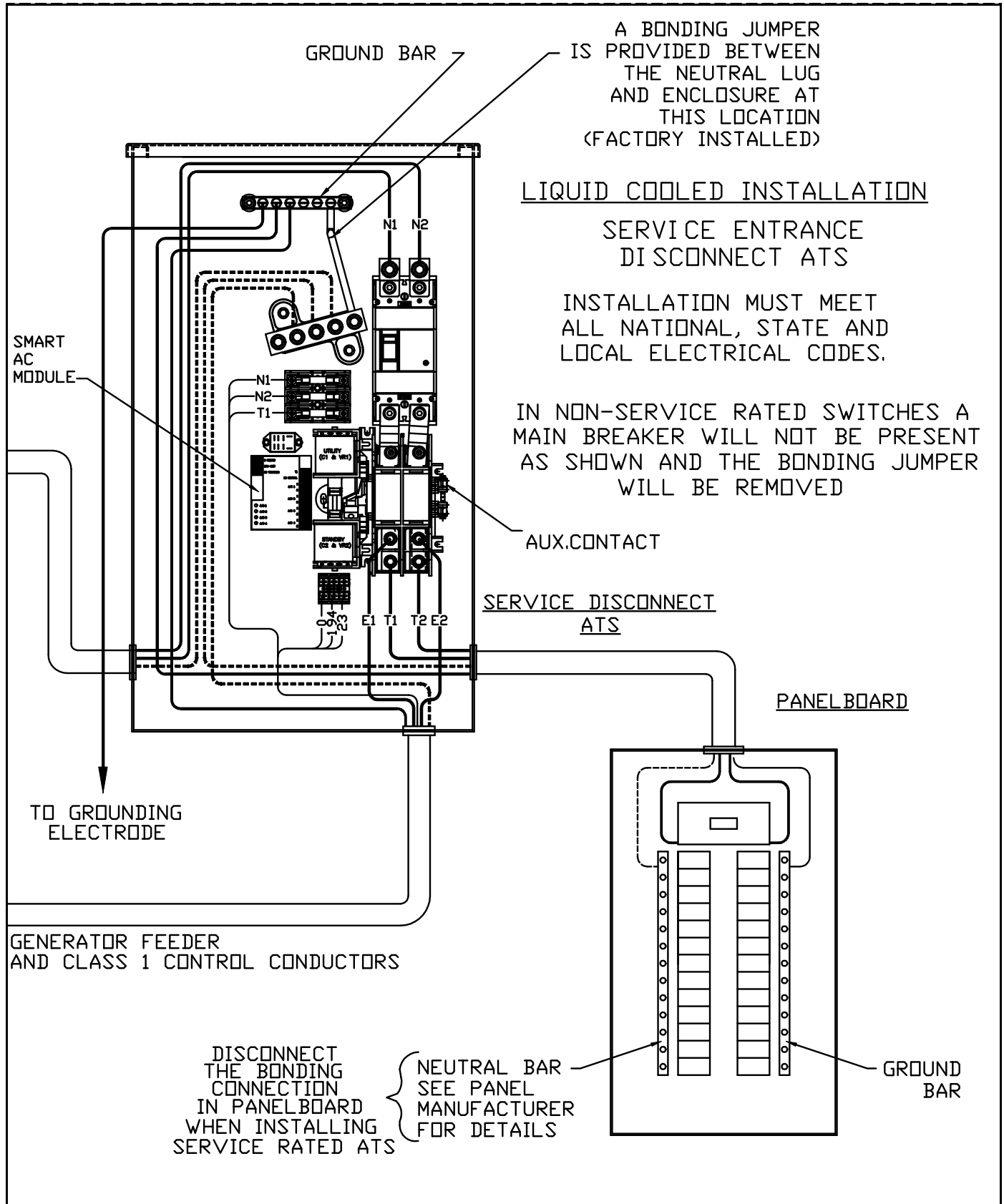
**This page intentionally left blank.**

## 5.2 — Interconnection Drawing

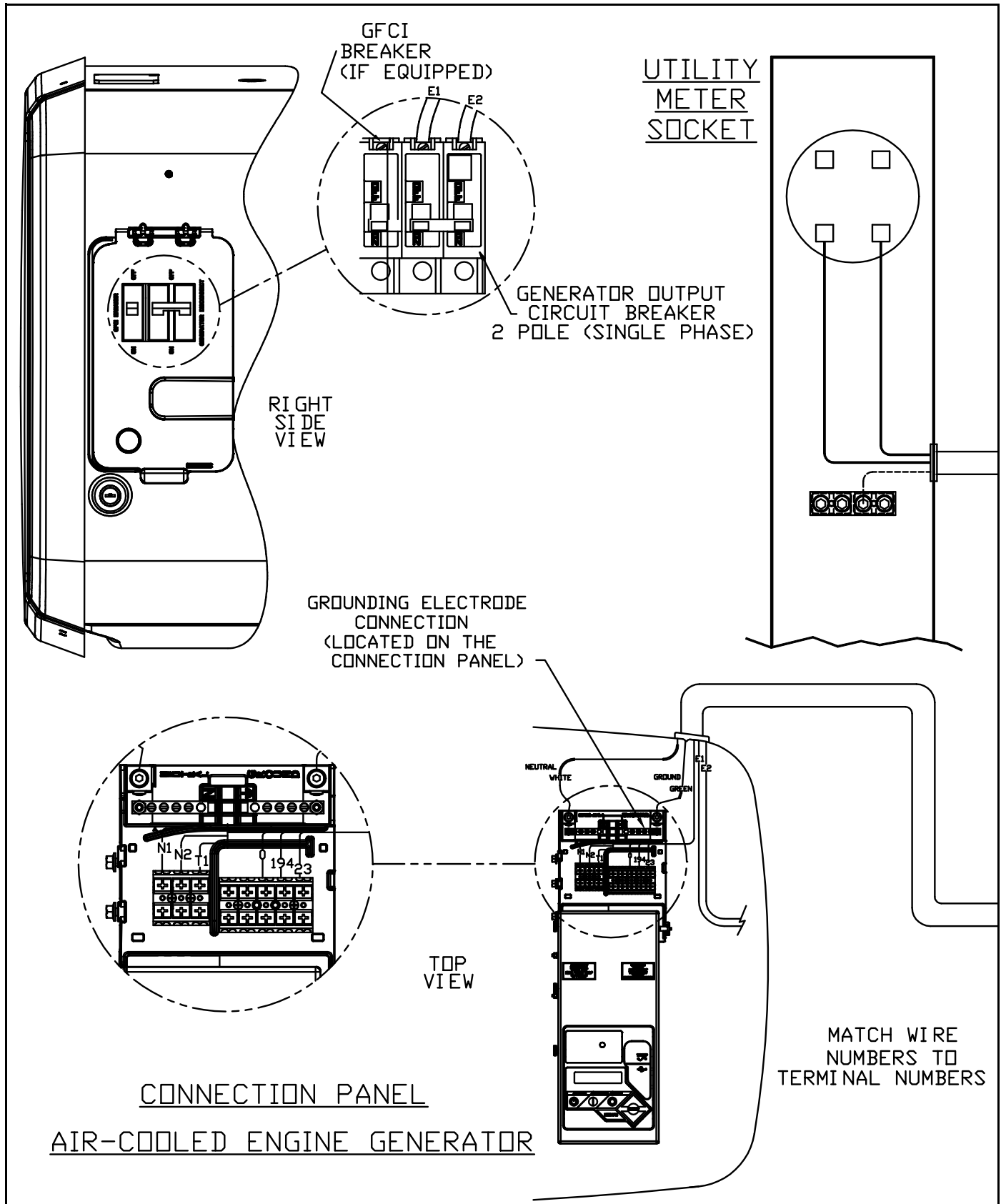
### 5.2.1— No. 0L3240-A (Part 1 of 4) Liquid-cooled Generator



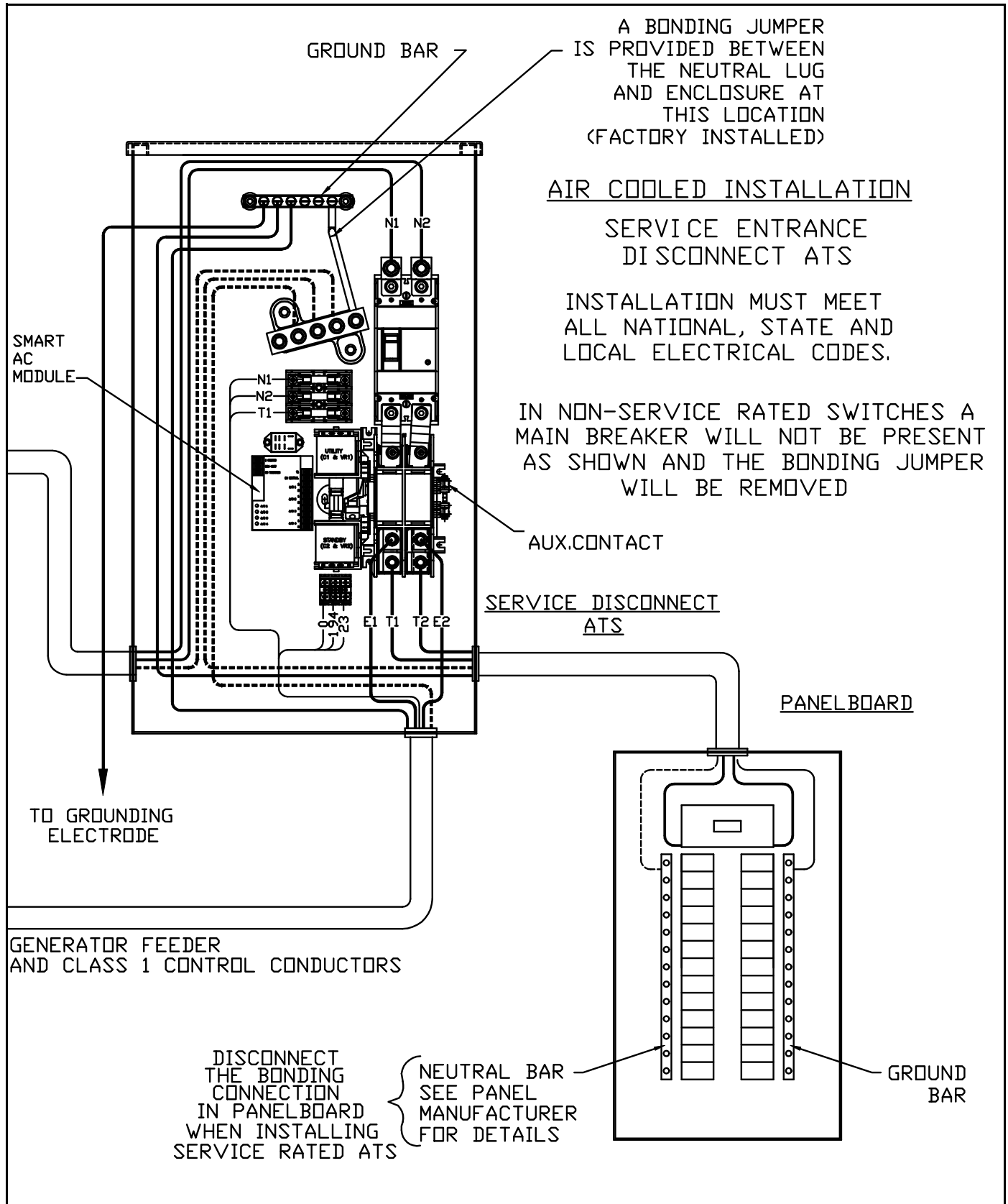
5.2.2— No. 0L3240-A (Part 2 of 4) Liquid-cooled Generator



5.2.3— No. 0L3240-A (Part 3 of 4) Air-cooled Generator



5.2.4— No. 0L3240-A (Part 4 of 4) Air-cooled Generator



**This page intentionally left blank.**



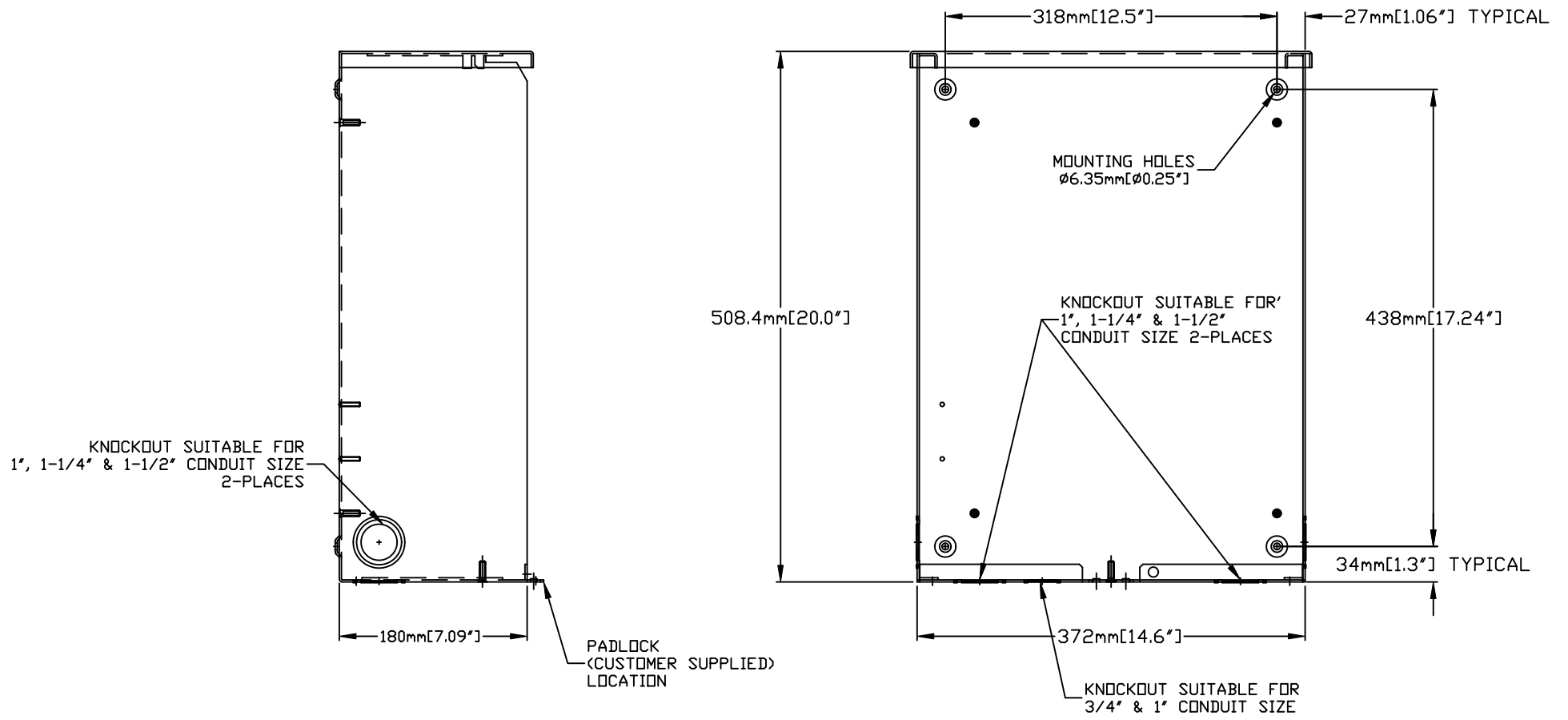
Part No. 0L3202 Rev. A 05/15/15 Printed in USA  
©2015 Generac Power Systems, Inc. All rights reserved  
Specifications are subject to change without notice.  
No reproduction allowed in any form without prior written  
consent from Generac Power Systems, Inc.

**GENERAC**<sup>®</sup>

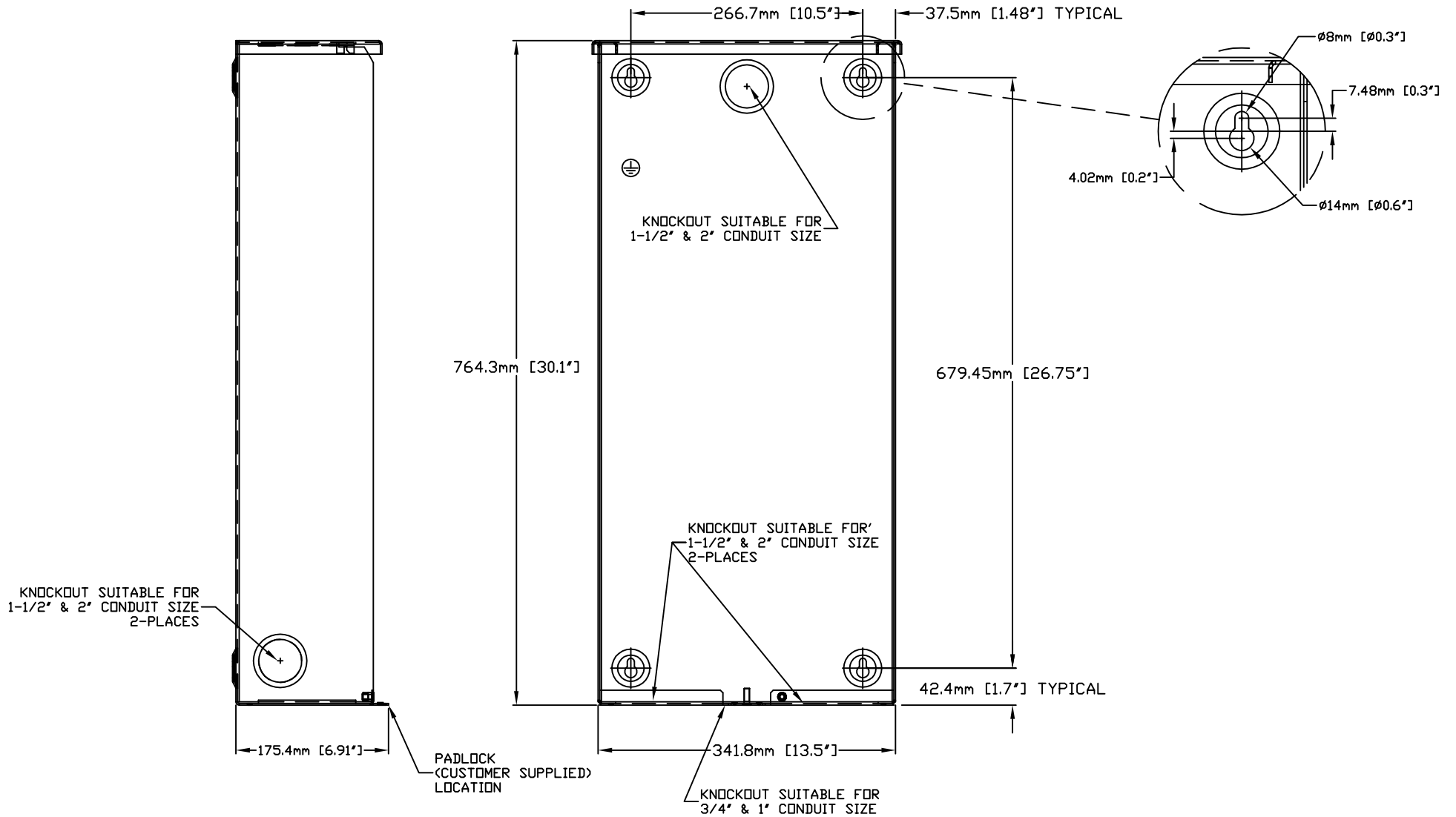


Generac Power Systems, Inc.  
S45 W29290 Hwy. 59  
Waukesha, WI 53189  
1-888-GENERAC (1-888-436-3722)  
[generac.com](http://generac.com)





GROUP G



THIS PAGE IS LEFT INTENTIONALLY BLANK