

XD5000E

Model 6864-0 UPC: 696471068641

Features

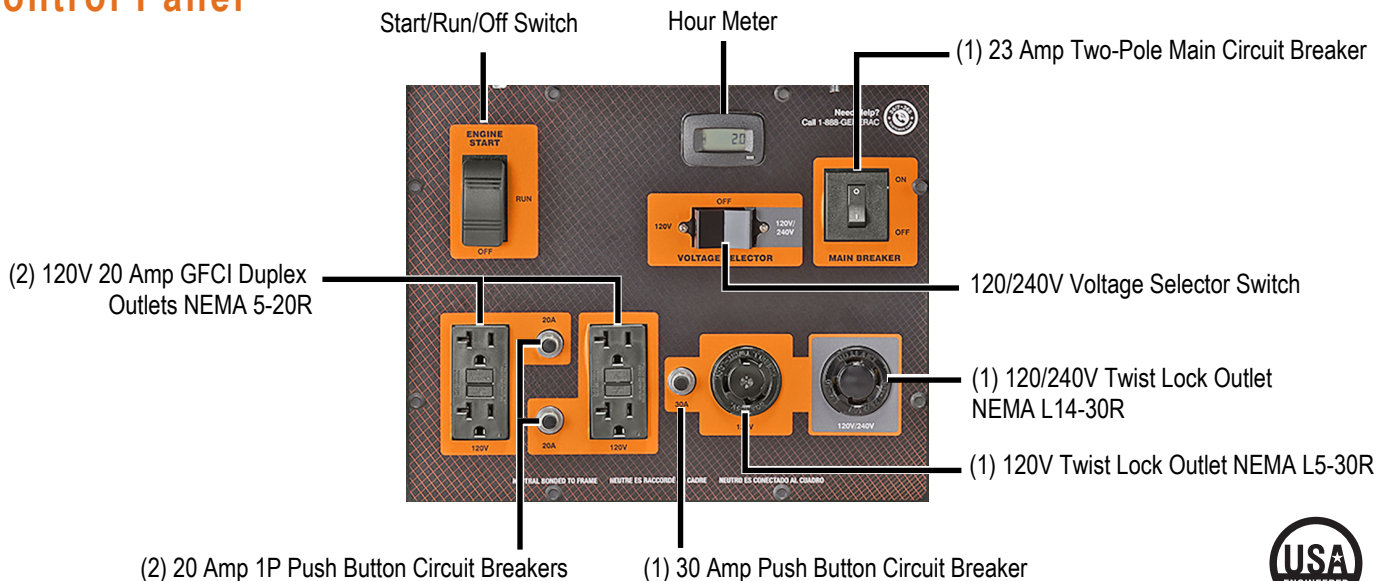
- **Diesel power** requires less maintenance, is more efficient, and provides a long life.
- **Yanmar LW Series 435cc air-cooled direct injection**, EPA Tier IV, industrial-grade engine.
- **Less than 6% total harmonic distortion** for clean, smooth operation of sensitive electronics, tools, and applications.
- **Large-capacity 12 gallon fuel tank** with fuel gauge provides a long run-time of 32.4 hours at 50% load.
- **Compression release lever** provides easier starting during cold ambient temperatures.
- **Low Oil Pressure Shutdown** automatically safeguards engine from damage.
- **Fuel primer bulb** provides quicker starts when the fuel tank has previously run empty.
- **Durable**, fully welded 1 1/4" steel frame.
- **Integrated lifting eye** provides easy transport and security on the jobsite.
- **120/240V selector switch** provides full 120V power.
- **Single touch electric start** provides hassle-free start-up (battery not included).
- **Hour Meter** with maintenance resets tracks usage and monitors maintenance cycles.



Portability Kit sold separately. Part No. G0069100

AC Rated Output Running Watts 5000
AC Maximum Output Starting Watts 5500

Control Panel



*Assembled in the USA using domestic and foreign parts

XD5000E

Specifications

Product Series	XD5000E
Model	6864-0
AC Rated Output Running Watts	5000
AC Maximum Output Motor Starting Watts	5500
AC Voltage	120/240
AC Frequency	60 Hz
Rated AC Amperage	41.7 / 20.8
Total Harmonic Distortion	<6%
Engine Displacement	435cc
Engine Type	Air-cooled, 4 cycle, Vertical Cylinder Diesel
Engine RPM	3600
Recommended Oil	SAE 10W-30
Oil Capacity qt (L)	1.7 (1.6)
Lubrication Method	Pressure
Fuel Shut Off	On Fuel Tank
Starting Method	Electric with Recoil Back-up
Battery Included	No
Battery Type	12V 35Ah, Group U1
Battery Part No.	N/A (purchase locally)
Battery Dimensions	Group U1 has a standard case size
Low Oil Shutdown Method	Low Pressure

Neutral Bonded to Ground	Yes
Start Switch Type	Start/Run/Off
Start Switch Location	On Control Panel
Fuel Gauge	On Cap
Fuel Tank Capacity gal (L)	12 (45.4)
Run Time at 50% of Rated Load (Hours)	32.4
Warranty- Residential	2 Year Ltd
Warranty- Commercial	2 Year Ltd
Included	Engine Oil, Owner's Manual

Portability Kit (Sold Separately)	Model 0069100
Handle Style	Folding / Locking
Wheel Type	10.4" (264.1mm) Solid
Carton Length in (mm)	21.5 (546)
Carton Width in (mm)	26.5 (673)
Carton Height in (mm)	5.5 (140)
Unit Weight lbs (kg)	24.5 (11)
Shipping Weight lbs (kg)	24.5 (11)

Dimensions and Weights

Length in (mm)	33.1 (840.74)
Width in (mm)	22.5 (570)
Height in (mm)	25.6 (650)
Extended Length in (mm)	35.75 (905) Handle Down
Carton Length in (mm)	33.9 (861.06)
Carton Width in (mm)	24 (608)
Carton Height in (mm)	31.6 (803) with pallet
Unit Weight lbs (kg)	252 (114)
Shipping Weight lbs (kg)	257 (117)

