

ROUGHING IN DIMENSIONS MAY VARY AND ARE SUBJECT TO CHANGE. NO RESPONSIBILITY IS ASSUMED FOR USE OF SUPERCEDED OR VOIDED DATA.



2100 South Clearwater Drive  
Des Plaines, IL 60018  
Phone: 800-566-2100  
Fax: 847-803-5454  
www.geberitnorthamerica.com

# ROUGH-IN

FITTING NO.

151.604.XX.1

BY: SID DATE: 03-18-08

SUBMITTED MODEL NO.

CHK: *je* REV:

**FOR TECHNICAL ASSISTANCE**  
1-800-TEC-TRUE (1-800-832-8783)

SUBMITTED AS SHOWN

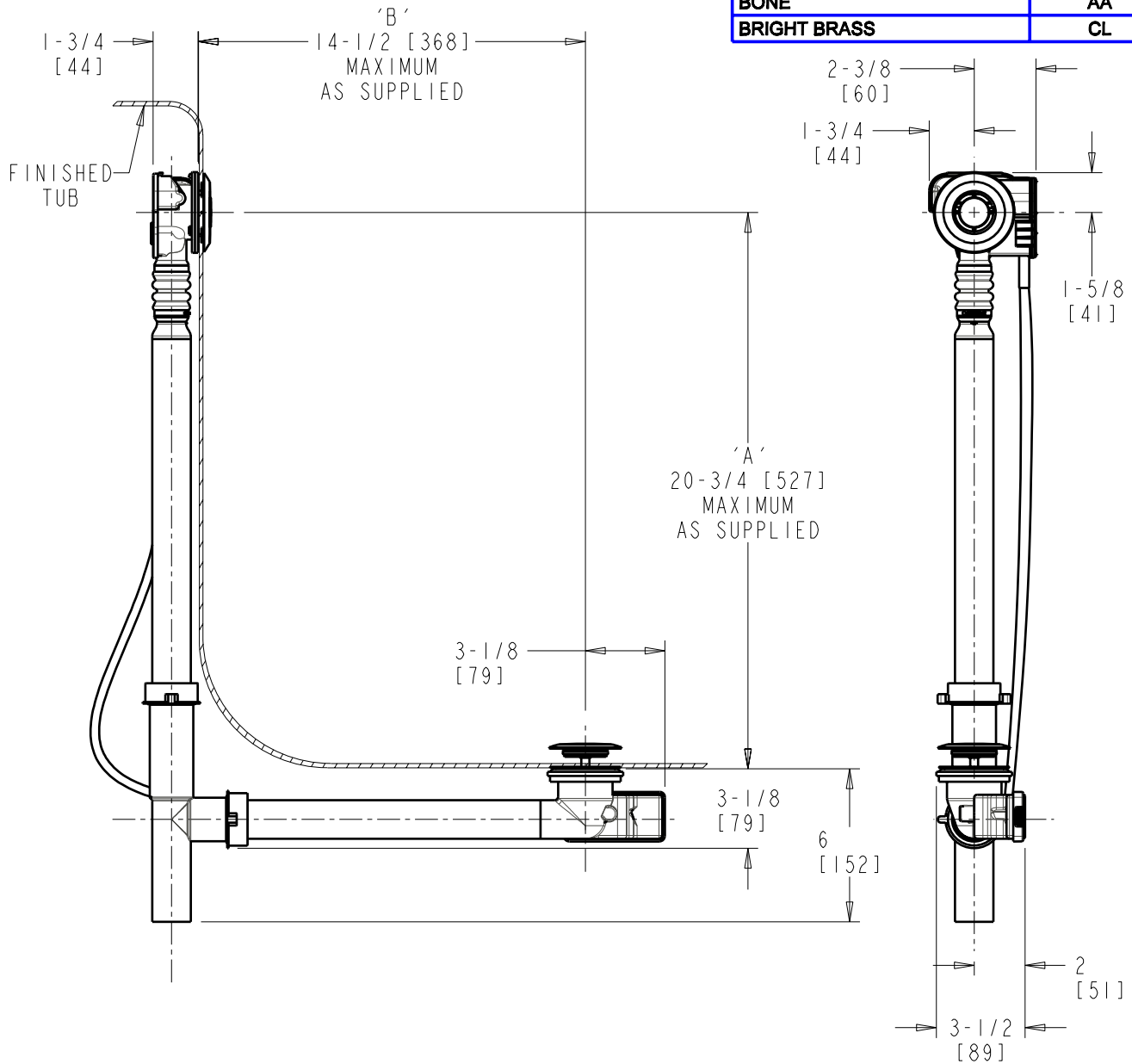
SUBMITTED AS NOTED

SEE ATTACHED FOR  
SUBMITTED MODIFICATION

JOB NAME

ITEM NO.

**NOTE:**  
'A' + 'B' NOT TO EXCEED 33"



FINISH DESCRIPTION	FINISH CODE
POLISHED CHROME	21
WHITE	DY
BISCUIT	FF
BONE	AA
BRIGHT BRASS	CL

DIMENSIONS ARE IN INCHES AND [MILLIMETERS].

**TECHNICAL DATA**

- PUSH CONTROL CABLE-OPERATED BATH WASTE AND OVERFLOW
- WITH DECORATIVE TRIM KIT AND FLEXIBLE NECK
- FITS MOST TUBS 24"-27" DEEP
- 1-1/2" TUBULAR PP .08" WALL
- FITS TUB WALL THICKNESS UP TO 1/2"
- 2" DIA. DRAIN HOLE OPENING
- 2" TO 2-1/2" DIA. OVERFLOW HOLE OPENING

- MOLDED PLASTIC PUSH BUTTON & PLUNGER; FINISHED AS SPECIFIED ABOVE
- STAINLESS STEEL STRAINER
- 33" TEFLON® COATED STAINLESS STEEL CABLE
- INSTALLATION TOOLS INCLUDED
- ASME A112.18.2/CSA B125.2 COMPLIANT