

ROUGHING IN DIMENSIONS MAY VARY AND ARE SUBJECT TO CHANGE. NO RESPONSIBILITY IS ASSUMED FOR USE OF SUPERCEDED OR VOIDED DATA.



2100 South Clearwater Drive
Des Plaines, IL 60018
Phone: 800-566-2100
Fax: 847-803-5454
www.geberitnorthamerica.com

ROUGH-IN

FITTING NO.

151.468.XX.1

BY: SID DATE: 09-26-07
CHK: *[Signature]* REV: 04-28-08

SUBMITTED MODEL NO.

FOR TECHNICAL ASSISTANCE
1-800-TEC-TRUE (1-800-832-8783)

SUBMITTED AS SHOWN

SUBMITTED AS NOTED

SEE ATTACHED FOR
SUBMITTED MODIFICATION

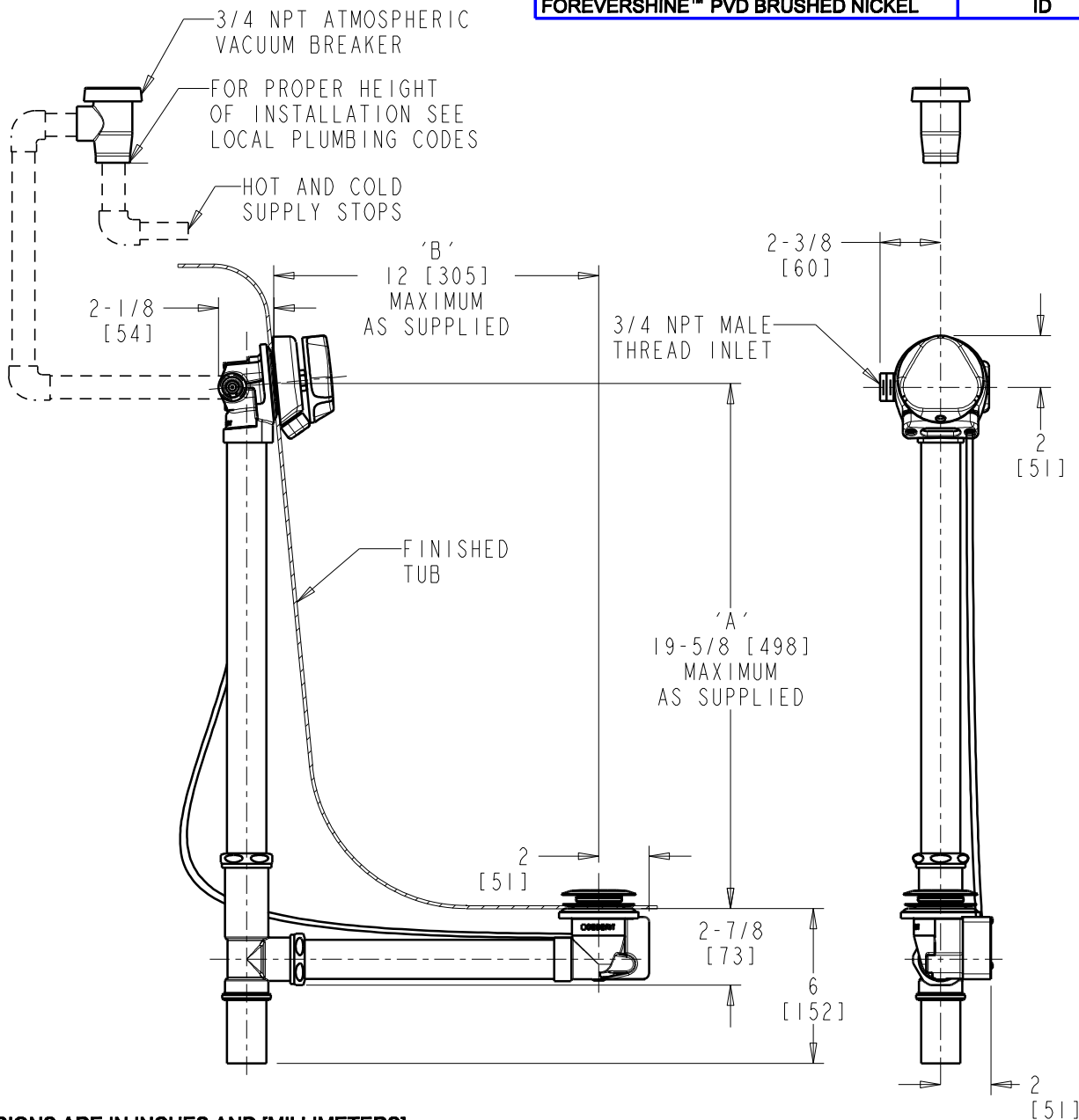
JOB NAME

ITEM NO.

NOTE:

'A' + 'B' NOT TO EXCEED 27" .

FINISH DESCRIPTION	FINISH CODE (.XX.)
POLISHED CHROME	21
FOREVERSHINE™ PVD BRASS	GG
FOREVERSHINE™ PVD BRUSHED NICKEL	ID



DIMENSIONS ARE IN INCHES AND [MILLIMETERS].

TECHNICAL DATA

- TURN CONTROL CABLE-OPERATED BATH WASTE AND OVERFLOW WITH INTEGRATED FILLER
- WITH DECORATIVE TRIM KIT
- FITS MOST TUBS 17"-24" DEEP
- 1-1/2" TUBULAR BRASS 17 GA.
- FITS TUB WALL THICKNESS 9/16" TO 3/4"
- 2" DIA. DRAIN HOLE OPENING
- 2" TO 2-1/2" DIA. OVERFLOW HOLE OPENING

- SOLID BRASS TRADITIONAL TURN HANDLE AND PLUNGER; FINISHED AS SPECIFIED
- STAINLESS STEEL STRAINER
- 27" TEFLON® COATED STAINLESS STEEL CABLE
- INSTALLATION TOOL INCLUDED
- ASME A112.18.2/CSA B125.2 COMPLIANT
- IAPMO PS 69 COMPLIANT