

# Installation Manual

Montageanleitung  
Instructions de montage  
Istruzioni per il montaggio





## Safety Information



### WARNING

#### Eye damage and cuts from glass fragments

- ▶ Wear protective goggles
- ▶ Wear cut-resistant gloves
- ▶ Protect glass edges and surfaces against damage
- ▶ Secure the glass plate against falling
- ▶ Only process components that are not damaged
- ▶ Mount the mounting frame without mechanical distortion to prevent tension on the glass plate



### ADVERTENCIA

#### Lesiones en los ojos y por cortes por esquirlas de vidrio

- ▶ Utilizar unas gafas de protección
- ▶ Utilizar unos guantes a prueba de cortes
- ▶ Proteger los bordes y superficies de vidrio frente a daños
- ▶ Asegurar la placa de vidrio frente a caídas
- ▶ Trabajar únicamente componentes libres de daños
- ▶ Montar el marco de fijación sin estiraje mecánico para evitar deformaciones en la placa de vidrio



## Product Data

### Product Specifications

- Water consumption: Dual flush system allows for 0.8 GPF (3 l) or 1.6 GPF (6 l)
- For wall-hung washdown toilets see -->[www.geberit.us](http://www.geberit.us) for compatibility listing
- 8 mm ESG tempered safety glass
- Concealed water supply
- cUPC listed

### Material Determination

Recommended material for wall surface construction

(2 x 1/2" or 2 x 3/8"):

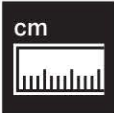
- Gypsum / green board
- Cement board
- Tile backer board
- Ceramic tile surface

### Warranty

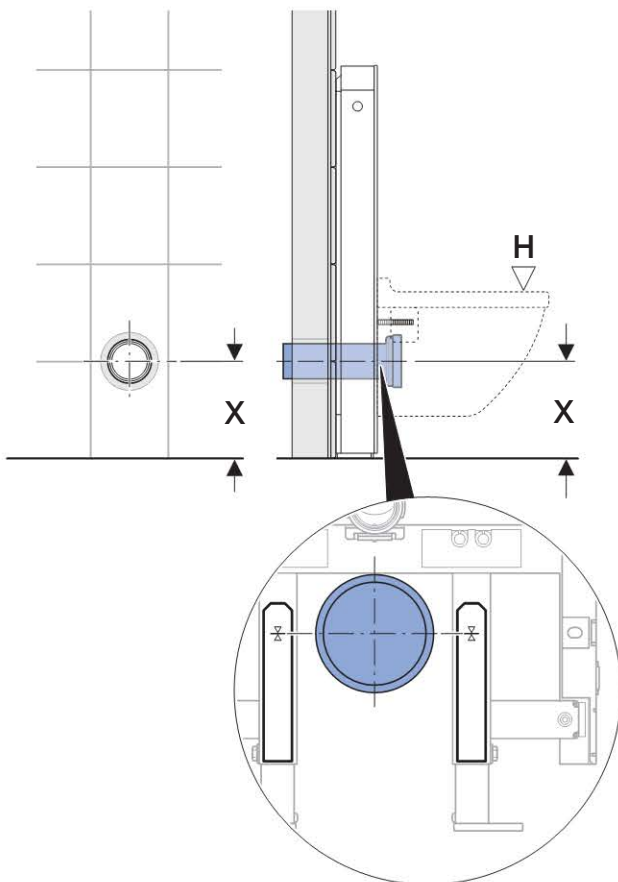
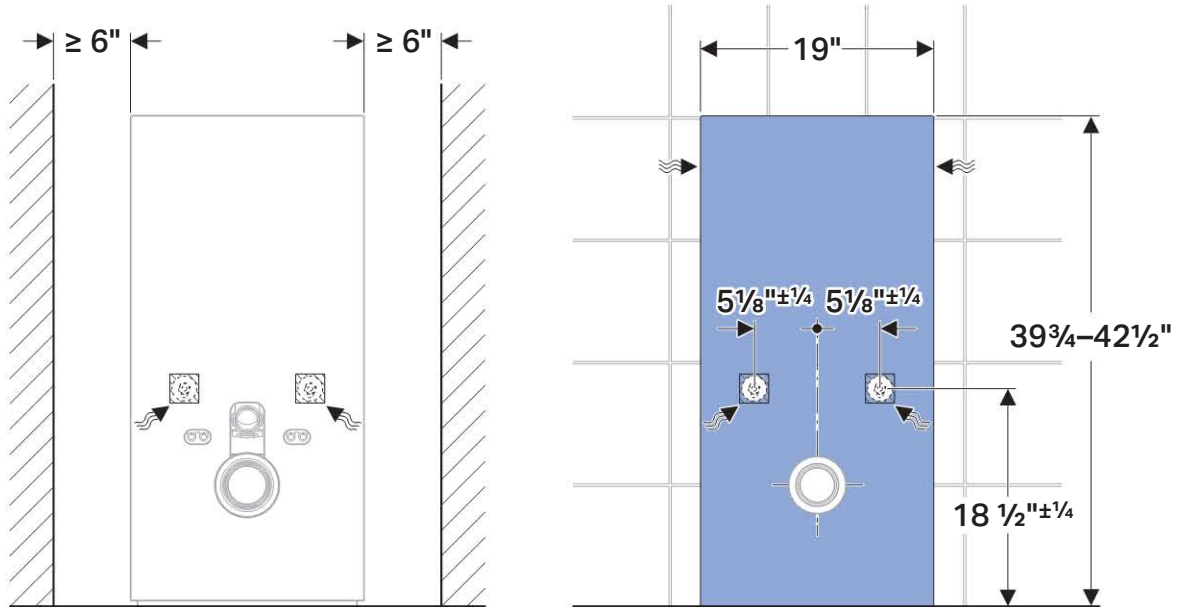
Limited lifetime warranty on tank and frame.  
10 year warranty on fill valve and flush valve.

### Dimensions

All dimensions are inches unless otherwise specified.



# Dimensioning



Seat Height	~Rim Height H	X
17.25	16.13	9.00
17.50	16.38	9.25
18.00	16.88	9.75
18.50	17.38	10.25
18.75	17.63	10.50



# Installation

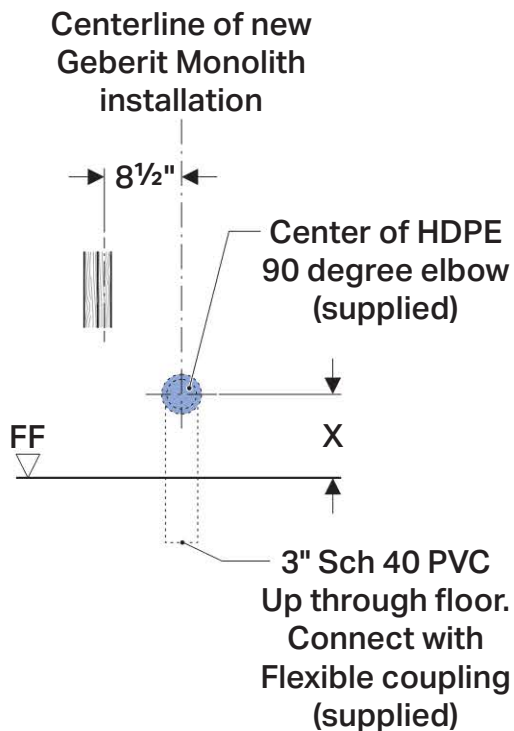
## Installation requirements

To install Geberit Monolith, a 2 x 6" or 2 x 4" wood frame or metal frame construction is required. Studs must be placed where Geberit Monolith will be positioned.

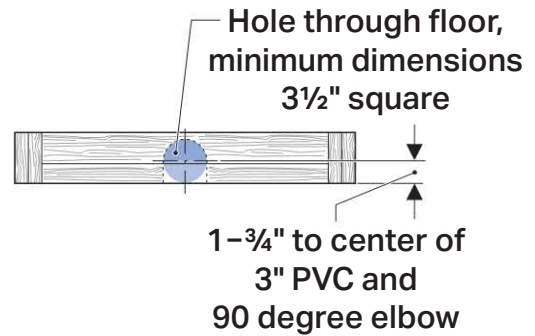
Reference only! Always consult ceramic manufacturers data sheets for latest fixture dimensions.

# 1

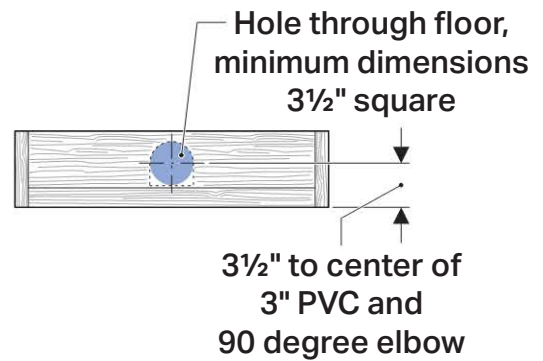
## Drainage elbow installation



## Top view 2 x 4 wall



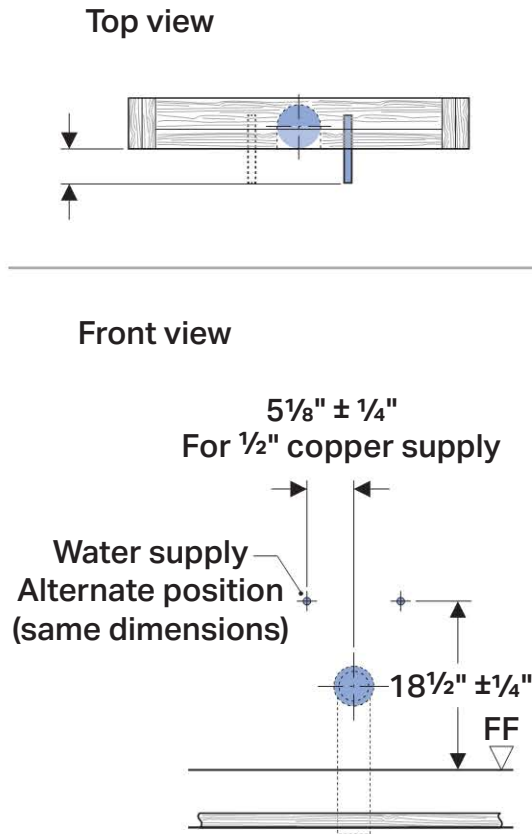
## Top view 2 x 6 wall



- ▶ Install protection plug (yellow)

# 2

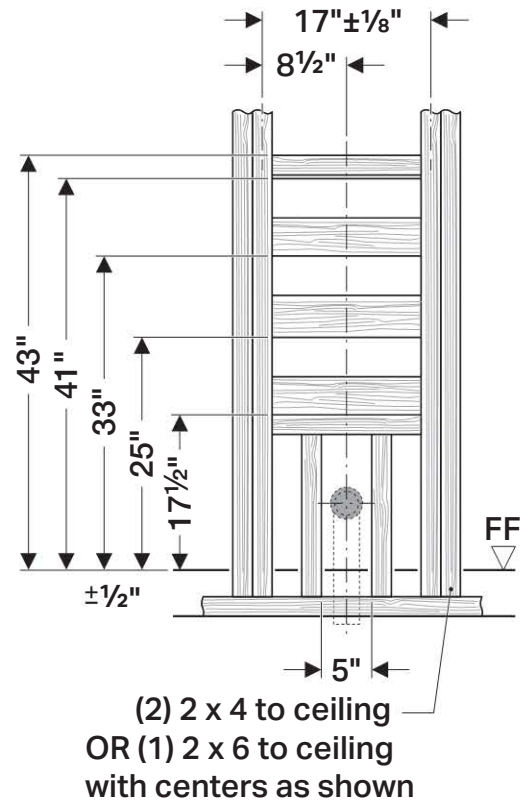
## Water supply installation



- ▶ Stub out water supply line. Angle stop valve to be installed later.

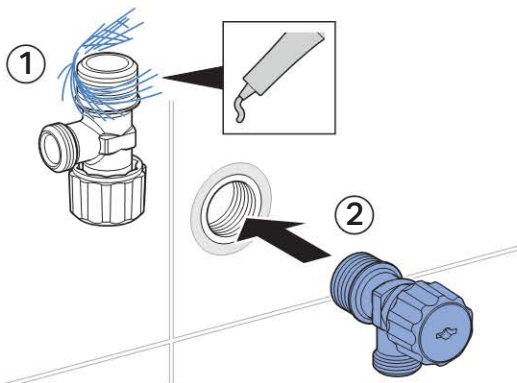
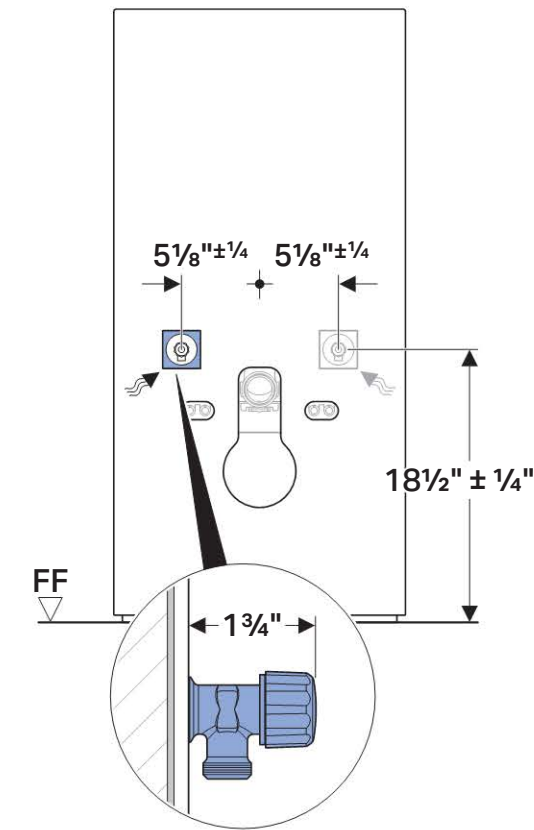
# 3

## Frame installation



- 1 Strap drainage elbow to studs to prevent from falling back into wall.
- 2 Finish wall surface construction.

**3** Attach supplied angle valve.



**i** Outlet of valve must point to 4 o'clock position.

**4**

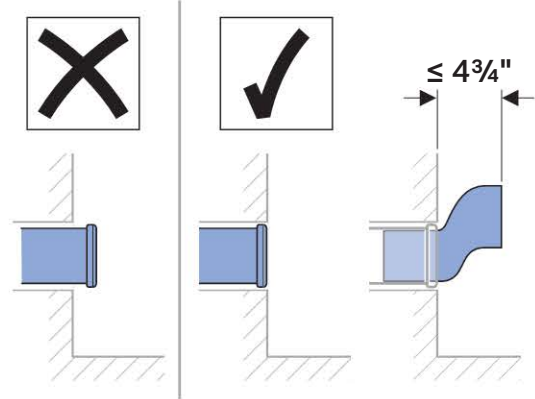


**4**

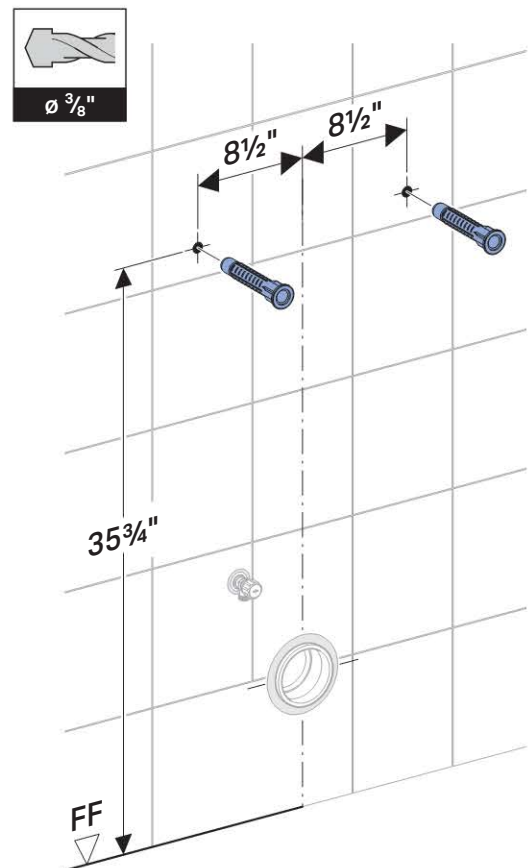
**Monolith installation**

**! CAUTION**  
**High torque forces**  
 Structure may be damaged  
 ▶ Do not overtighten hex nuts.

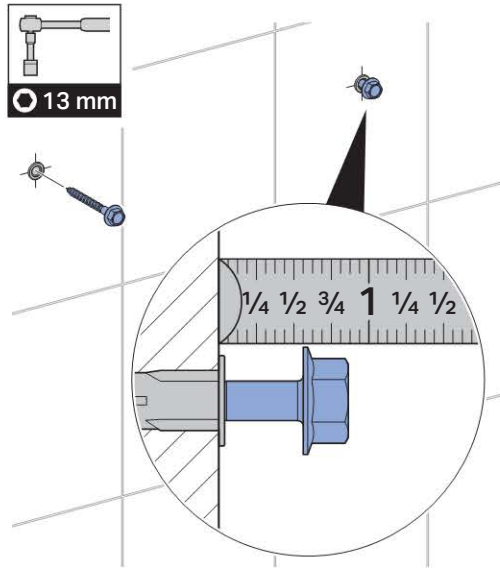
**i** Offset bends can be used to increase the ceramic seat height up to 2 3/4".



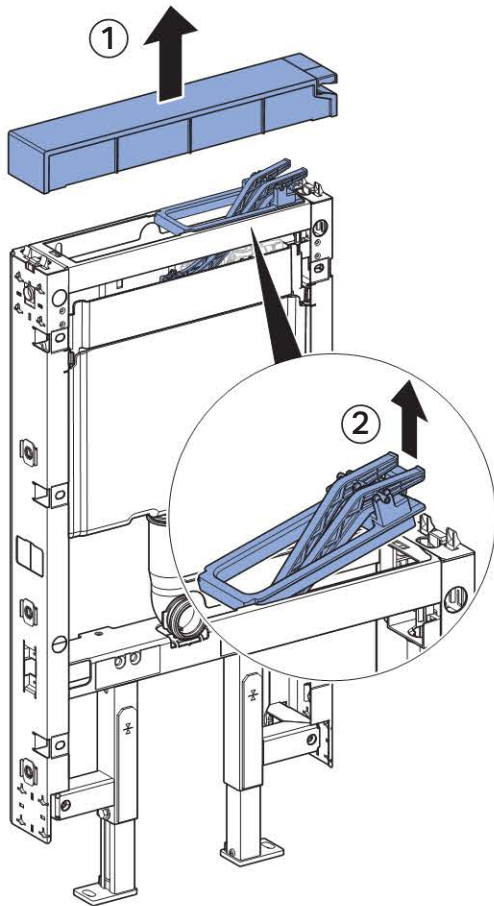
**1** When using an offset bend, drilling level is 35 3/4" + offset height.



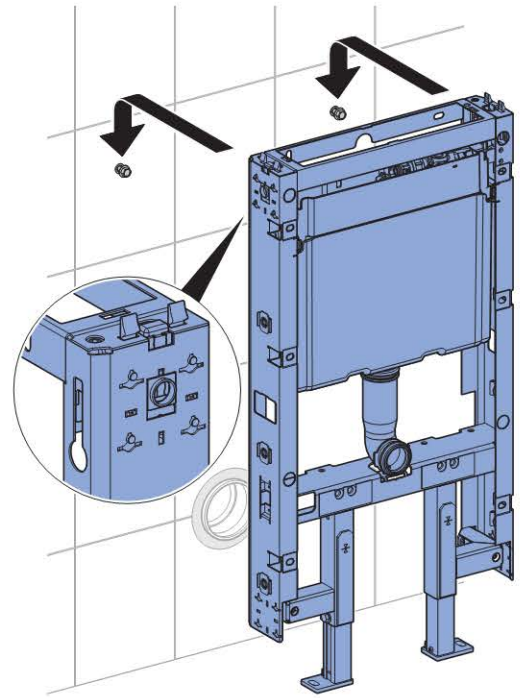
2



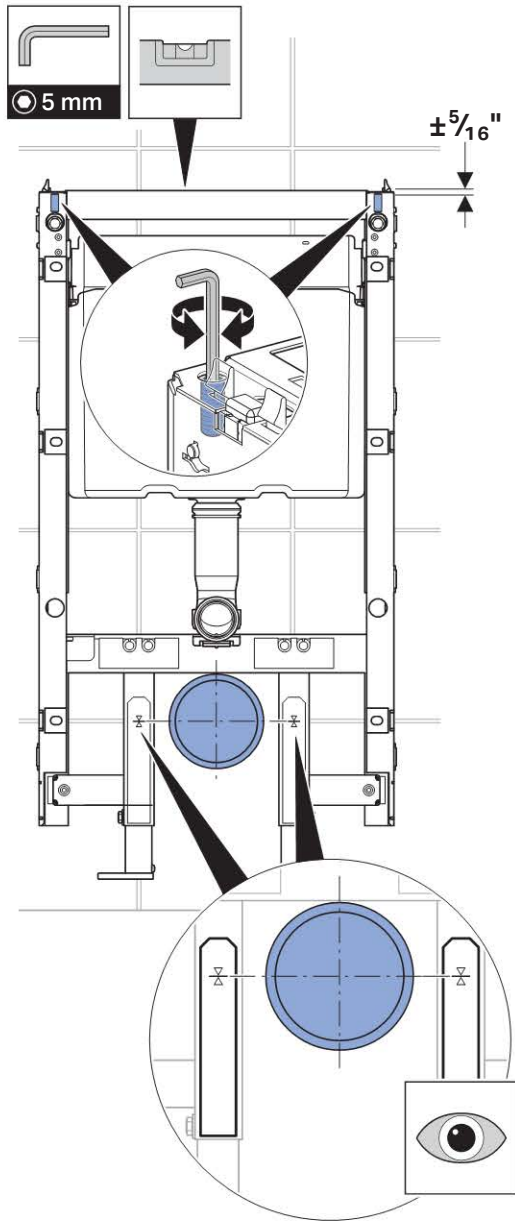
3



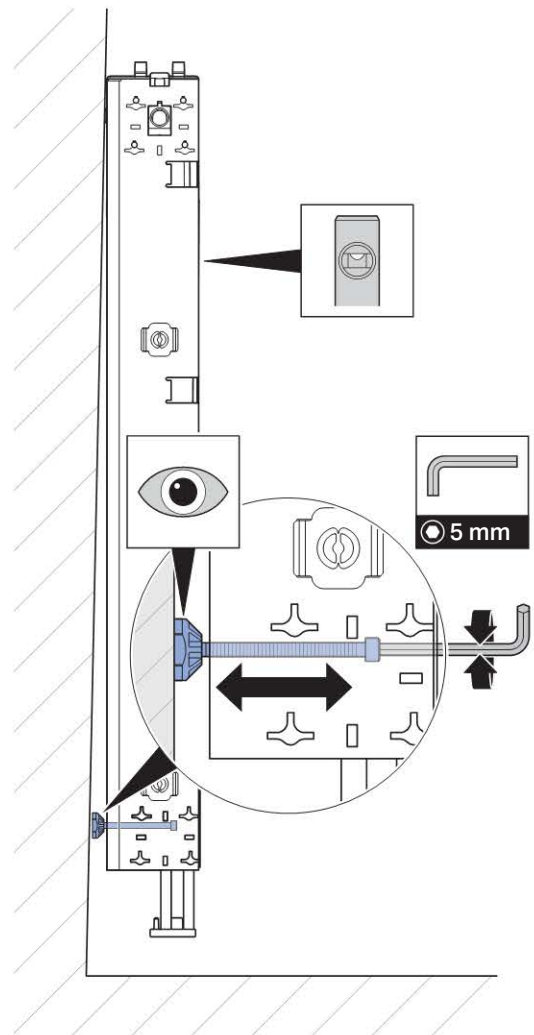
4



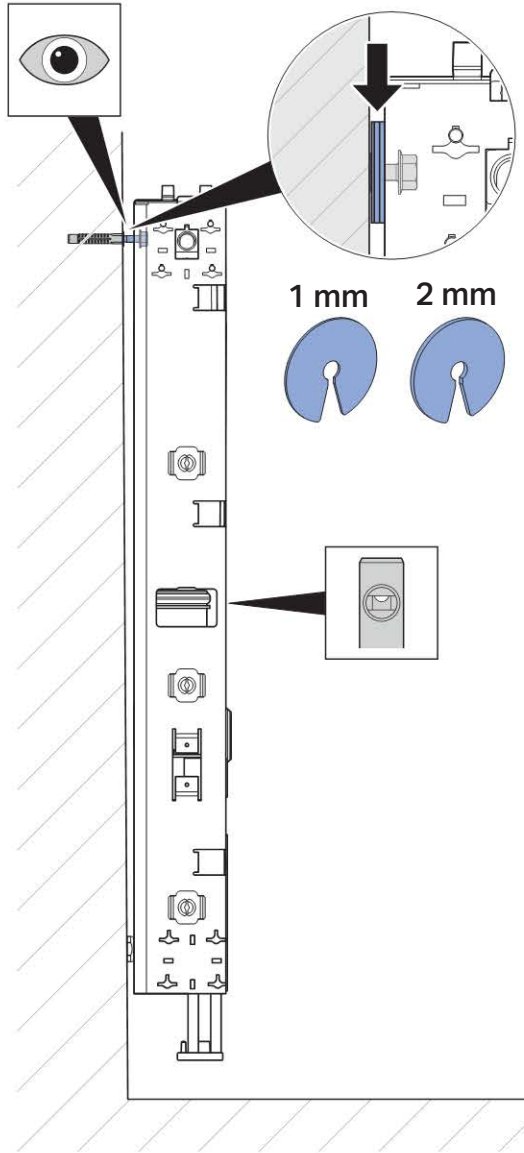
- 5** Fine leveling adjustment. Raise or lower sides as needed. Be sure this mark is lined up to be equal to center of drainage elbow.



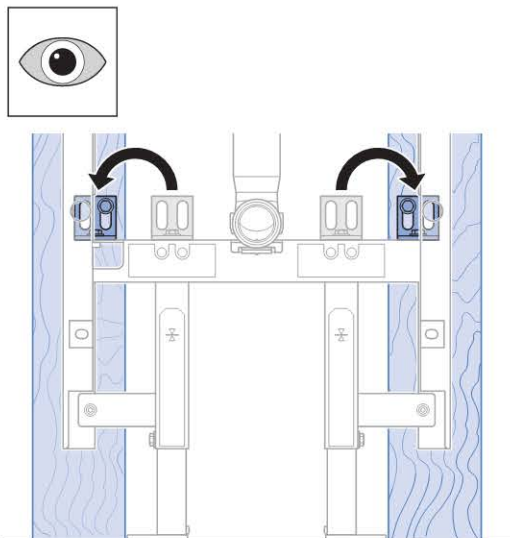
- 6** Vertical fine leveling adjustment. Adjust as needed.





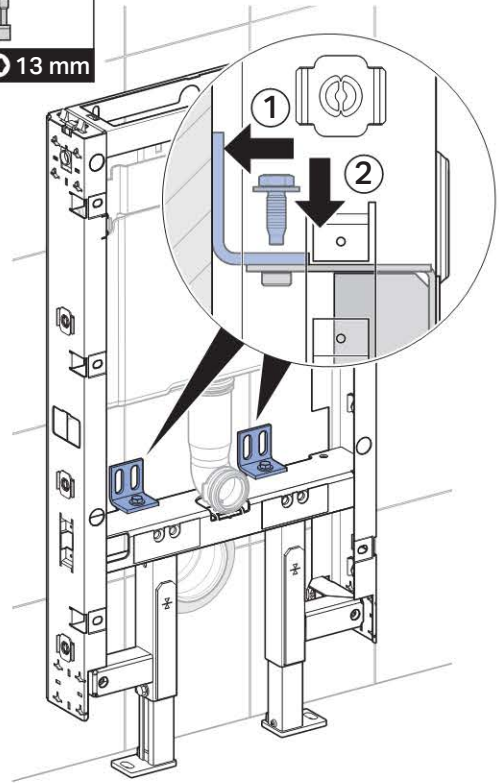
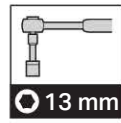


Mounting brackets can be set to outer position as needed.

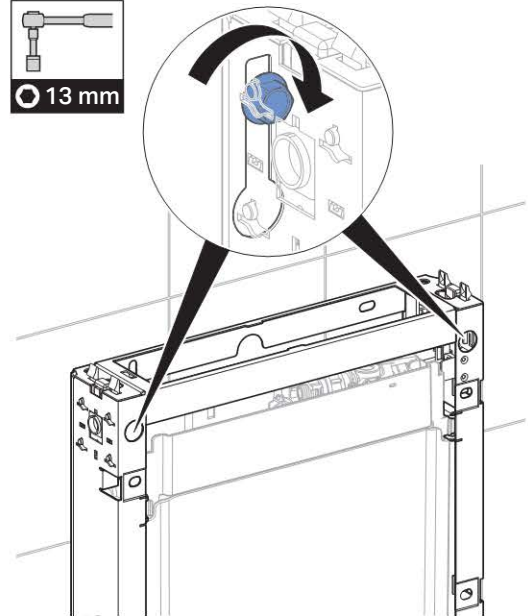
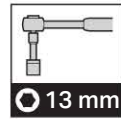


**7**

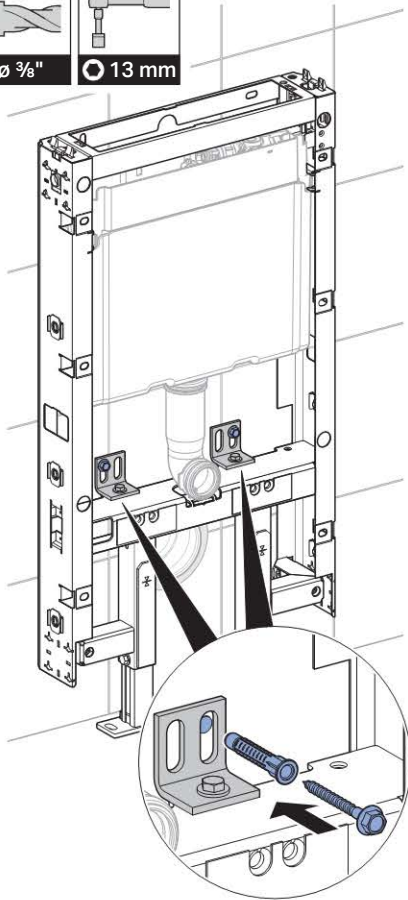
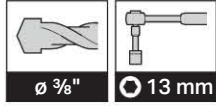
Shift mounting brackets towards the wall first. Subsequently tighten the hex screws.



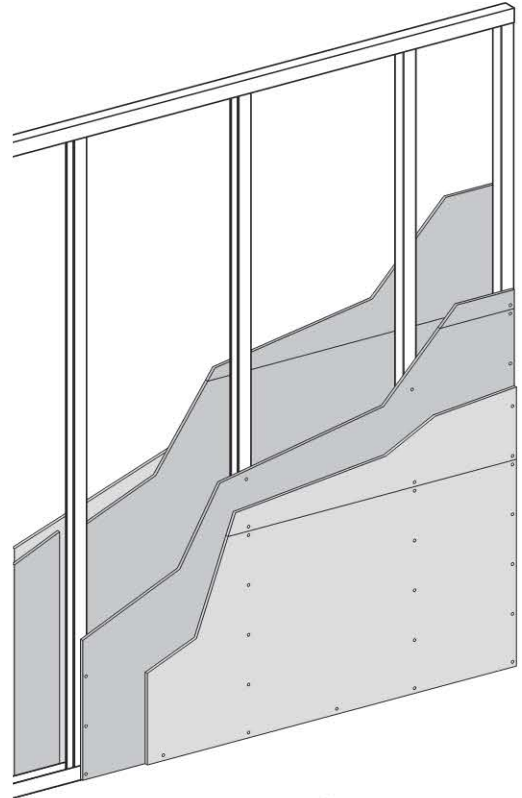
**8**



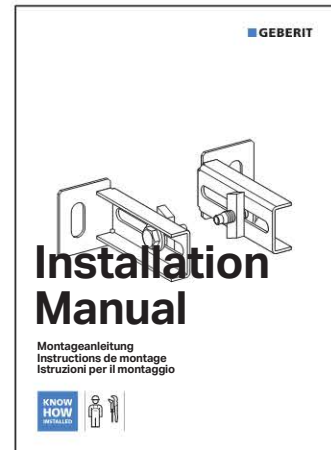
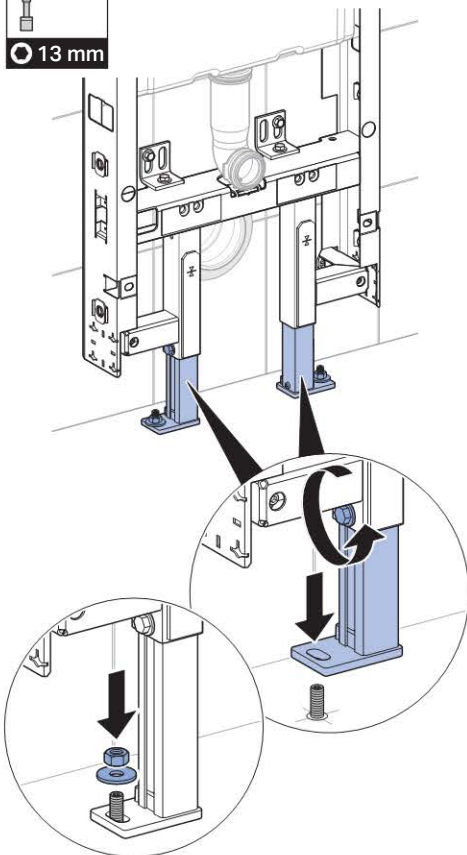
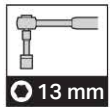
9



Use support bracket set in case of drywall construction.



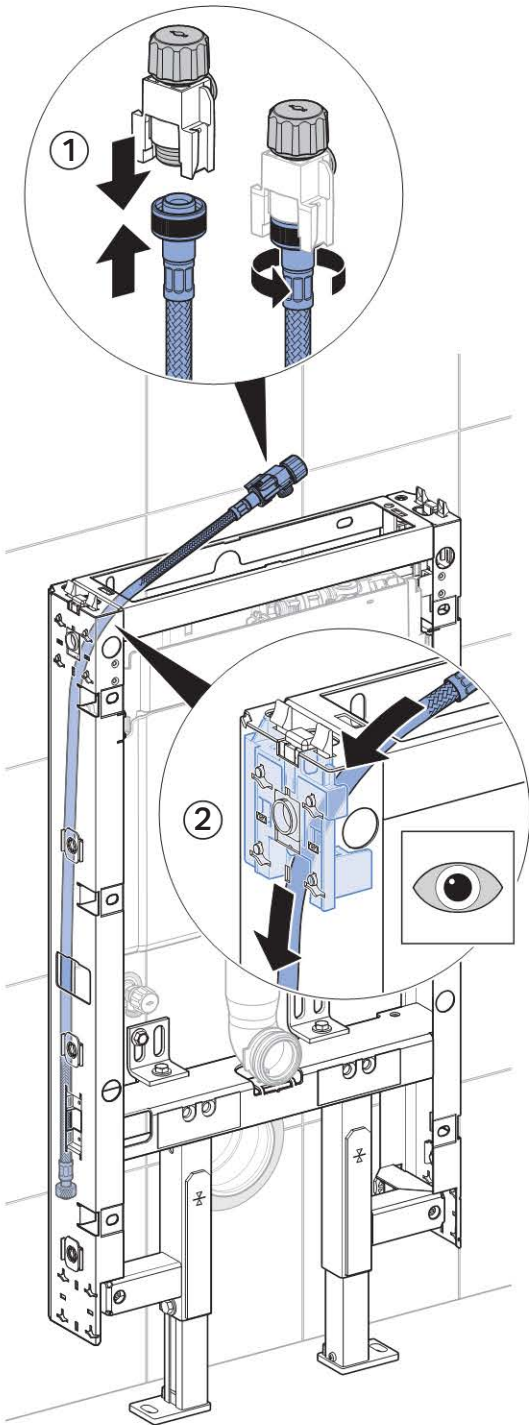
10



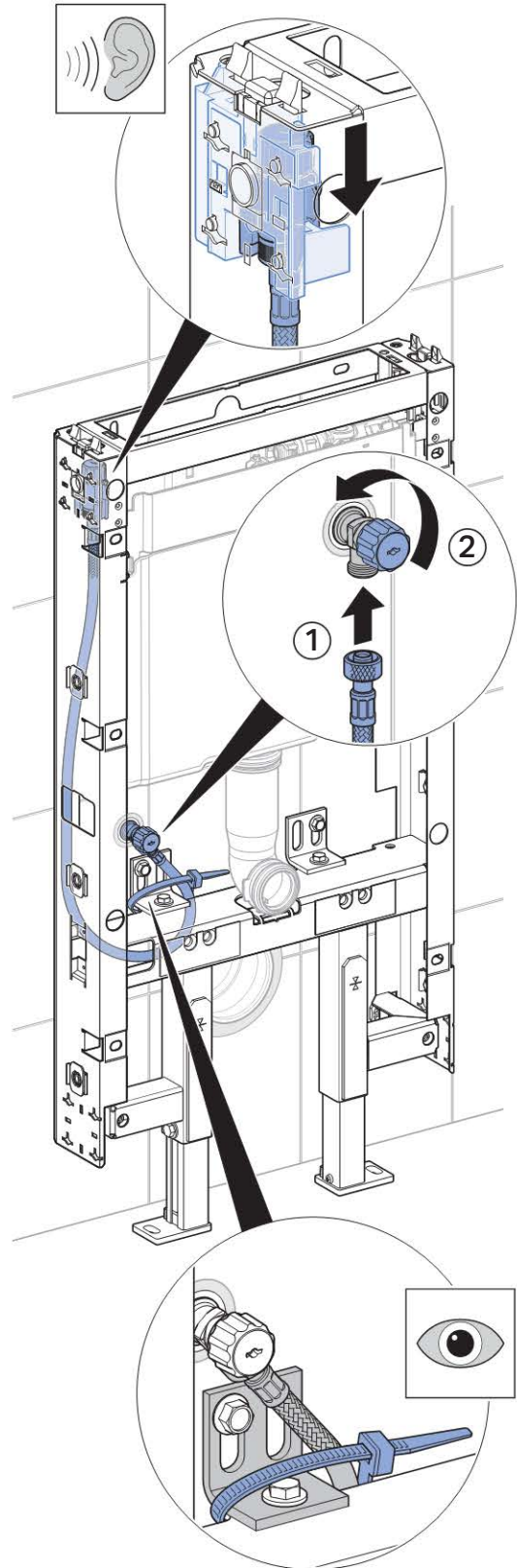
824.919.00.0

5

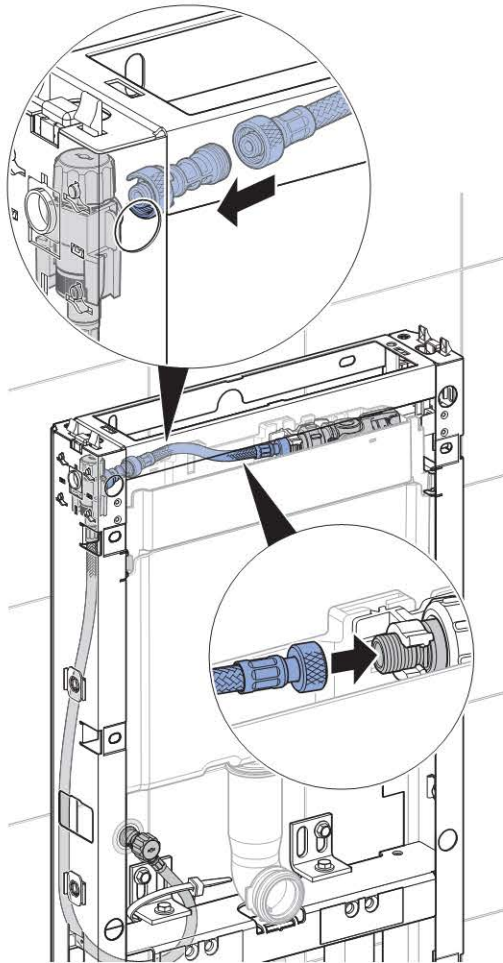
1



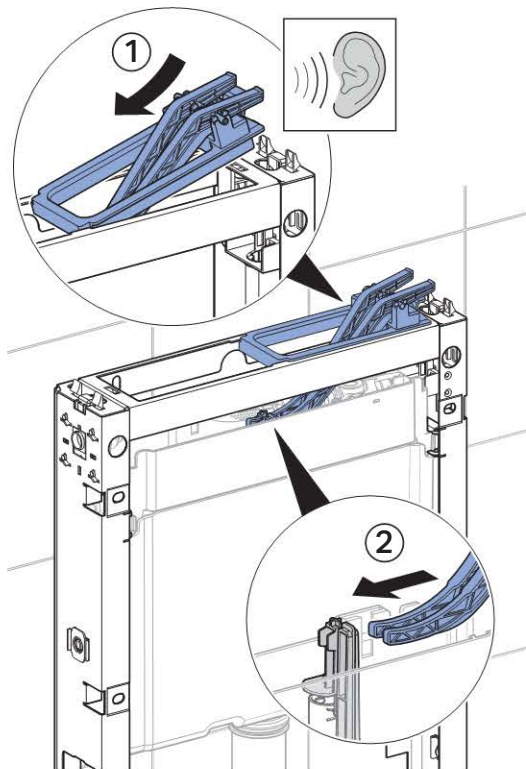
2



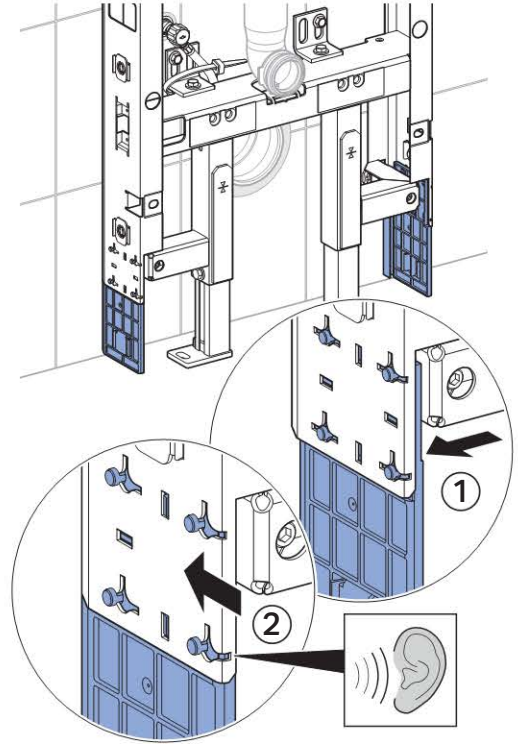
3



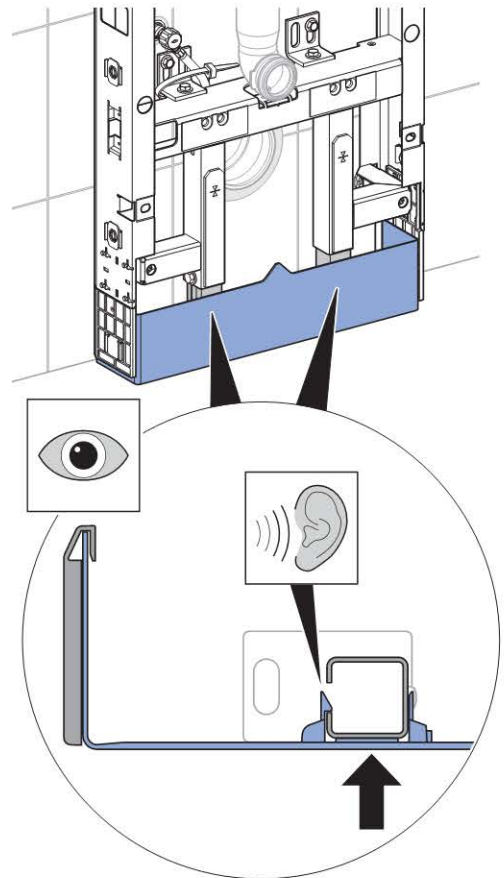
4



5



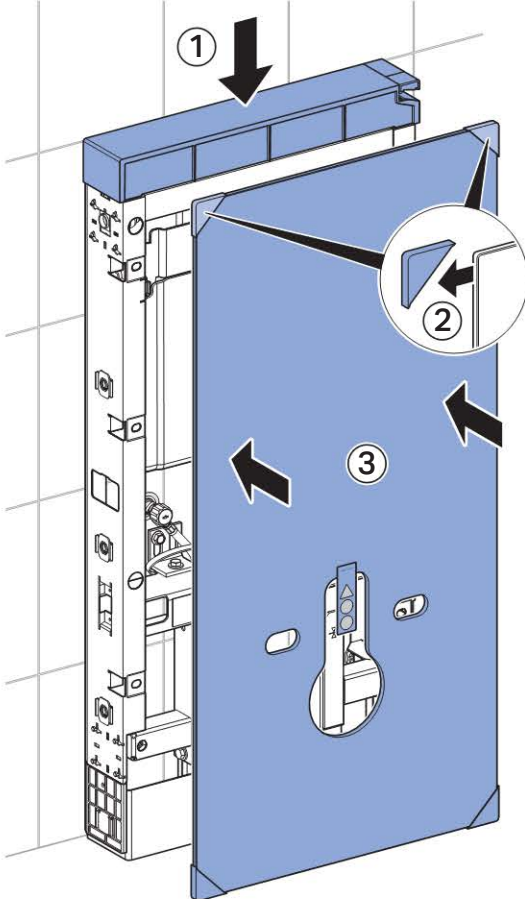
6



# 5

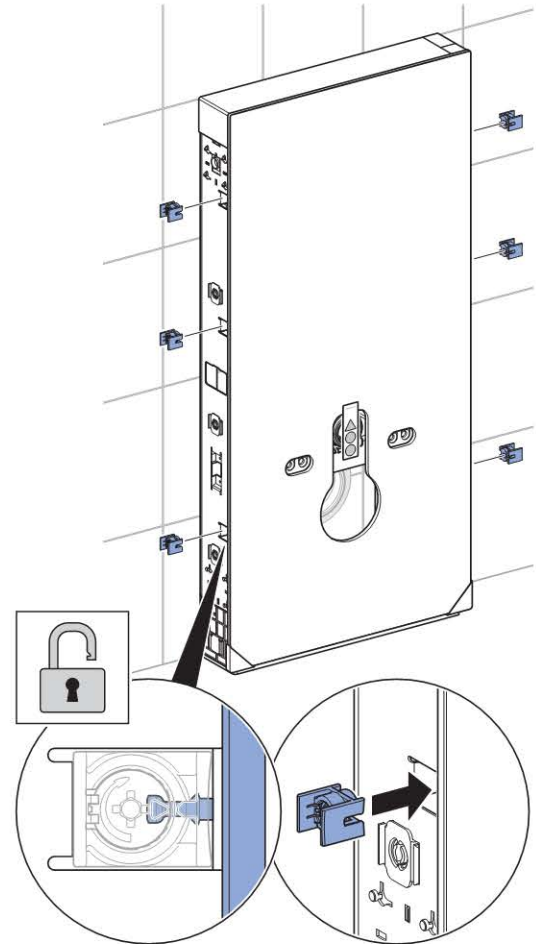


## 1

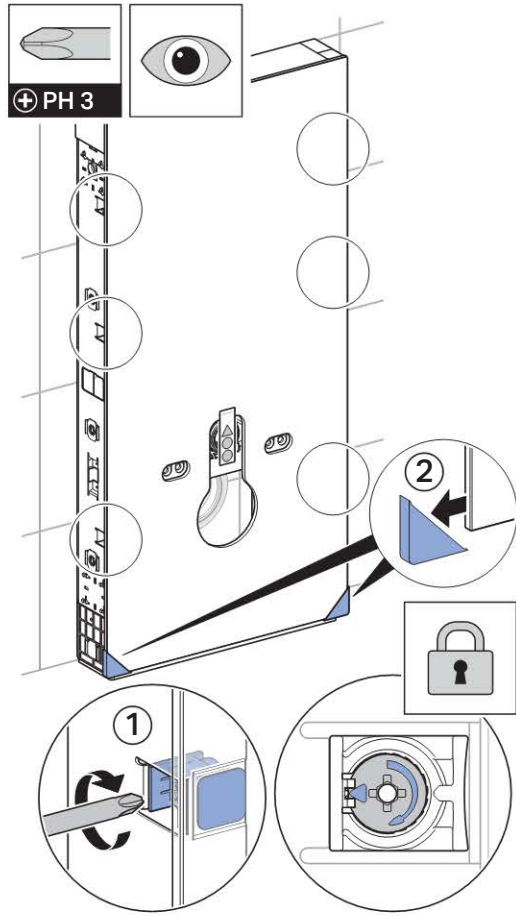


**i** Check that inserts are fully unlocked before inserting into Geberit Monolith.

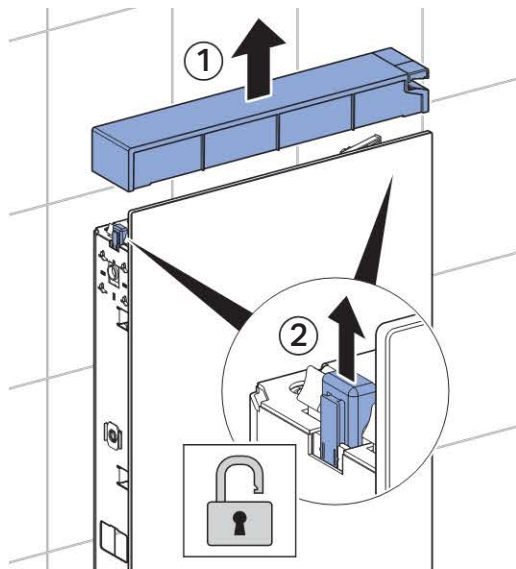
## 2



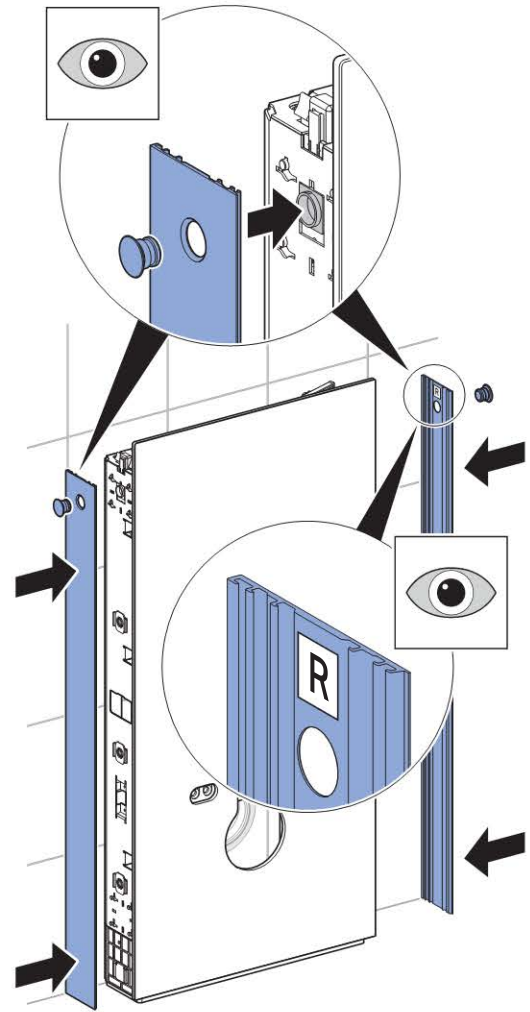
3



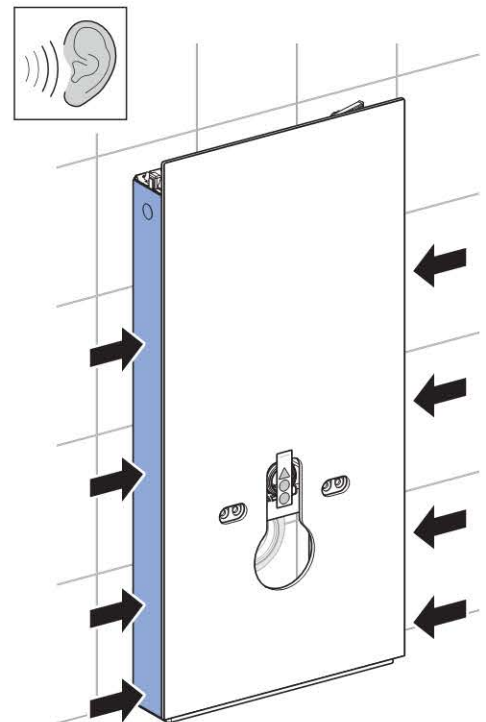
4



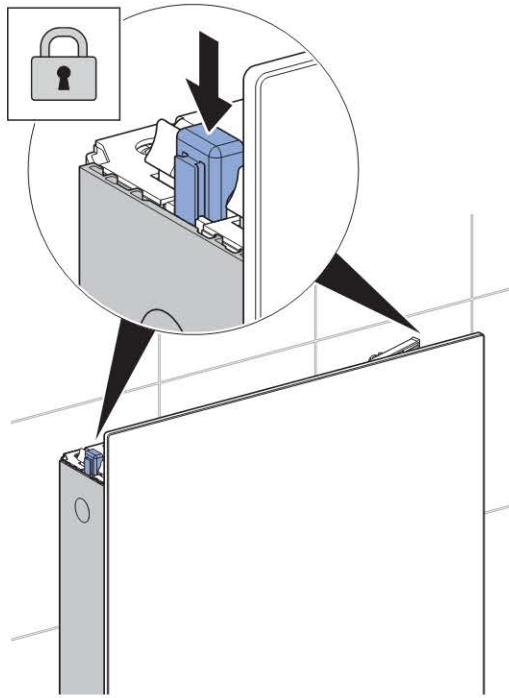
5



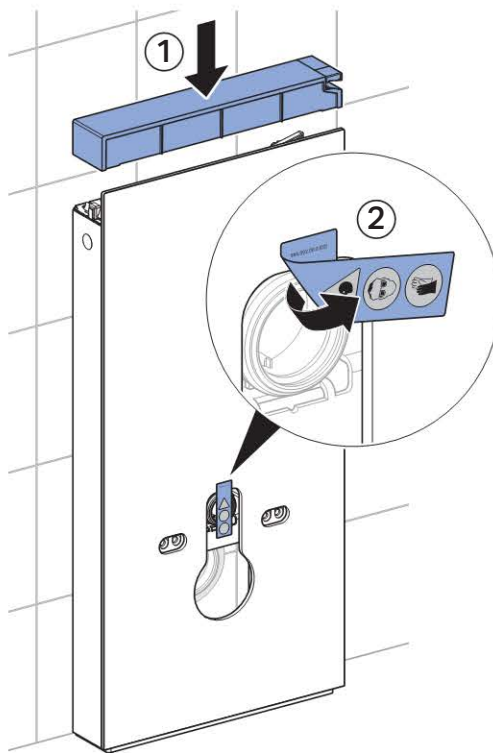
6



7

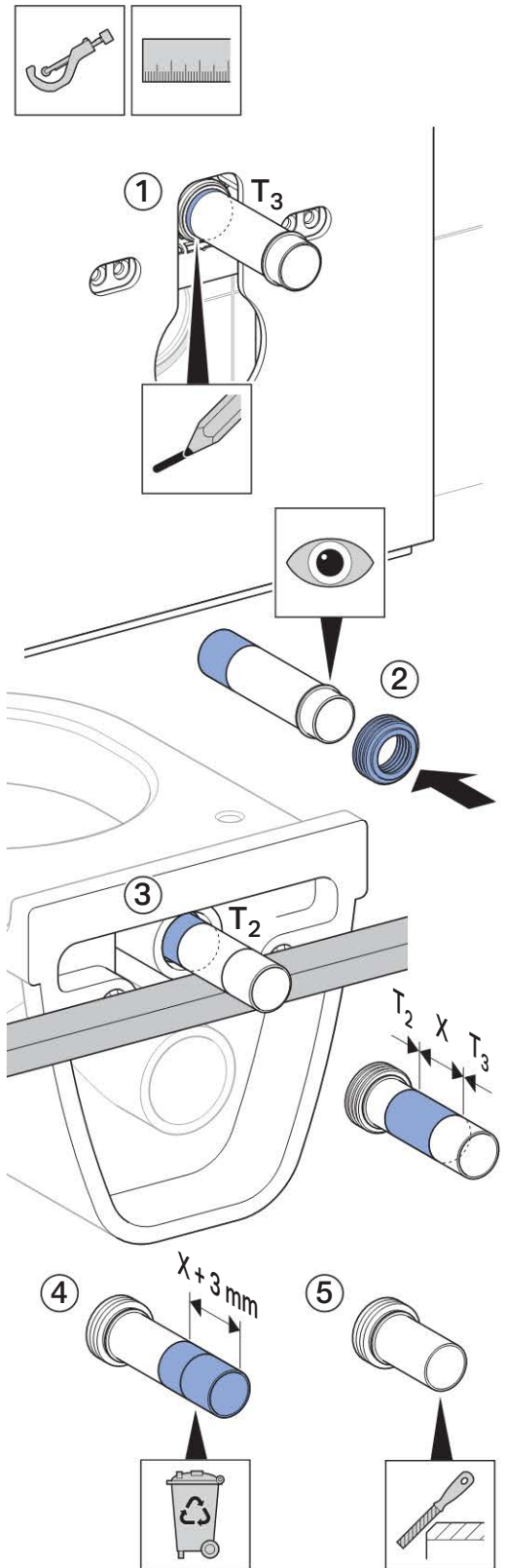


8

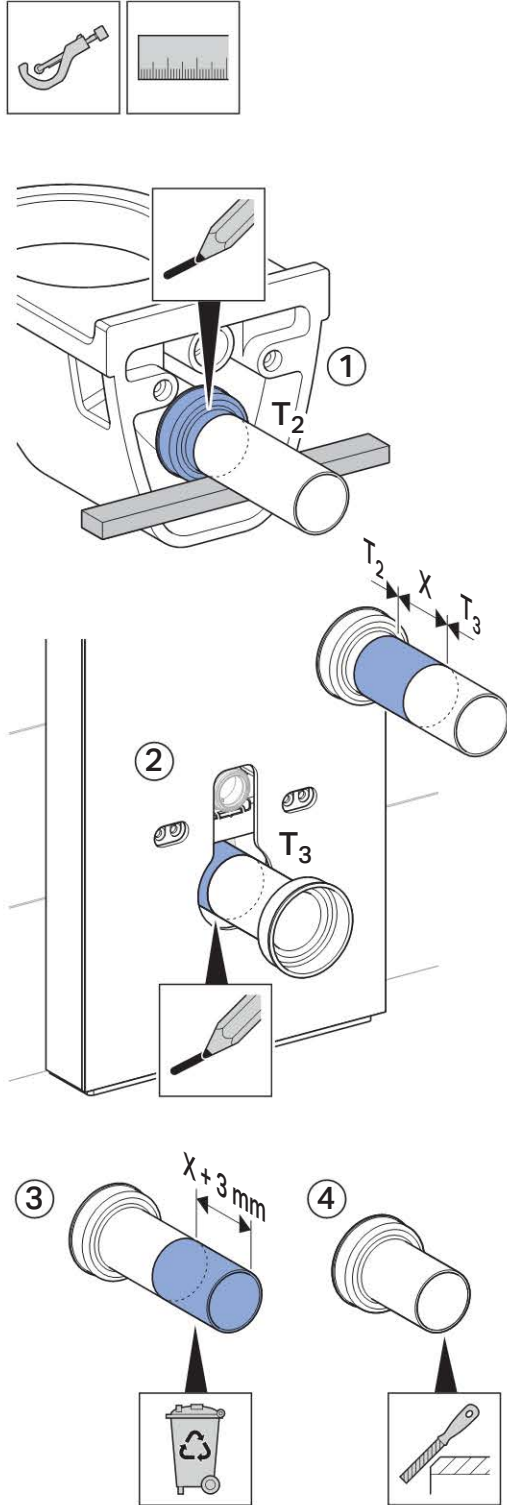


5

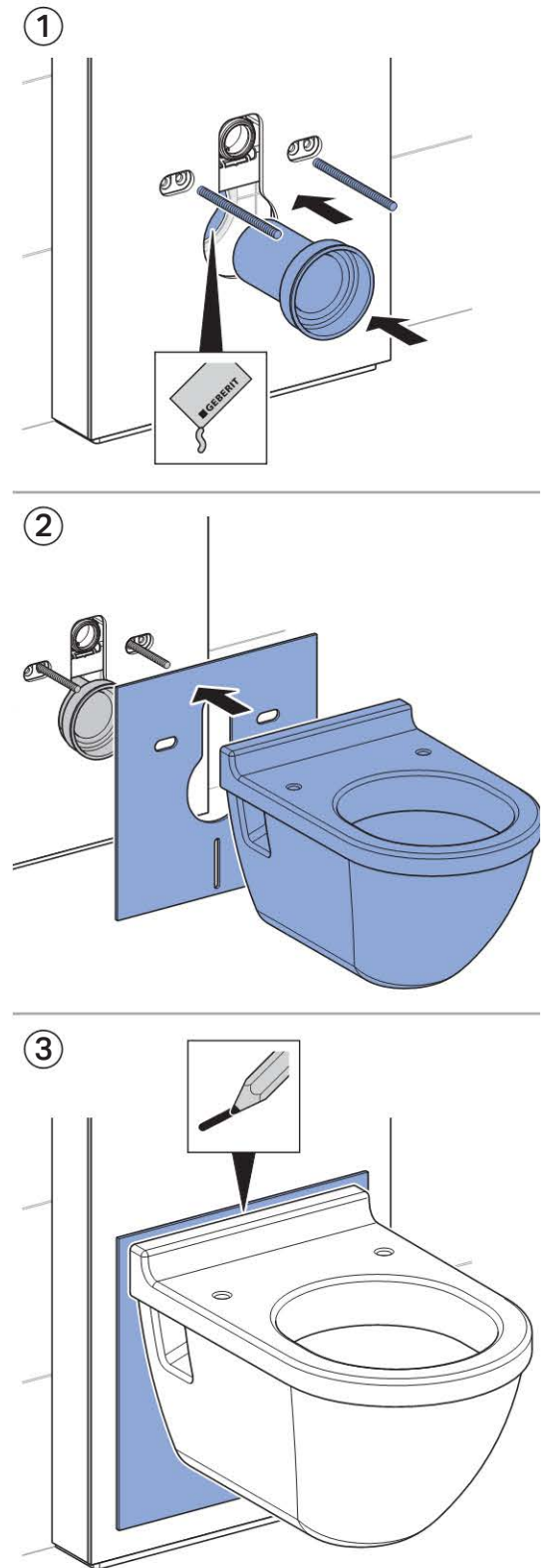
1



2

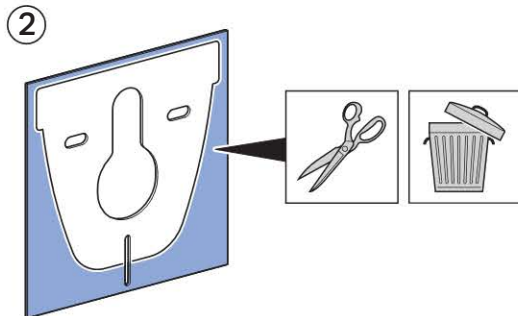


3

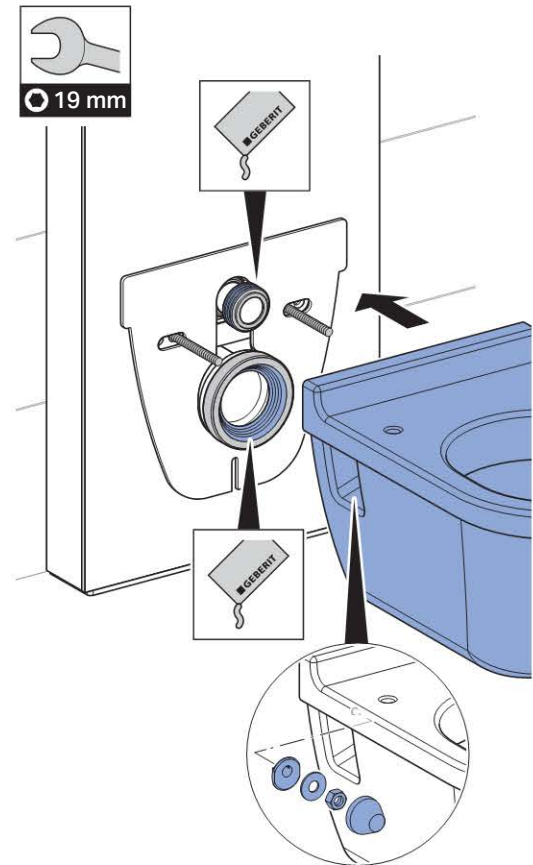




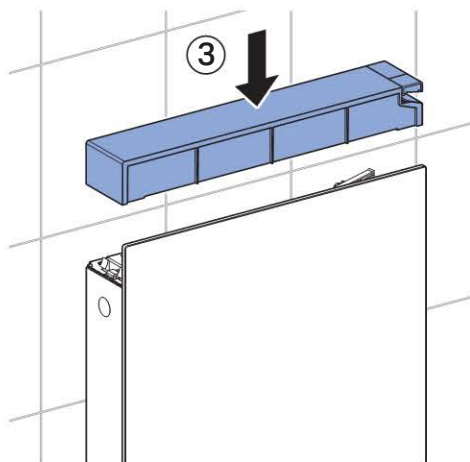
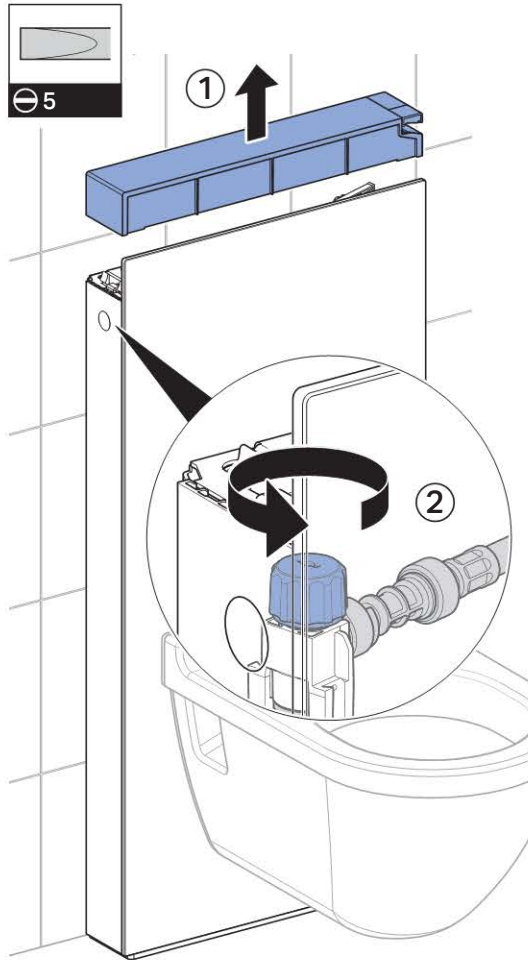
4



5

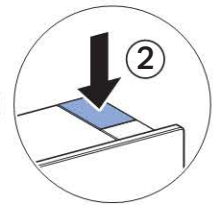
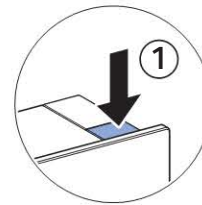
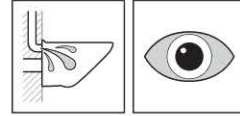


6



## Initial commissioning

1



2





**Geberit International AG**  
**Schachenstrasse 77**  
**CH-8645 Jona**

**T +41 55 221 63 00**  
**F +41 55 221 63 16**  
**documentation@geberit.com**

**→ [www.geberit.com](http://www.geberit.com)**