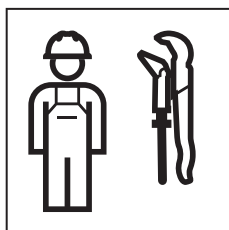


INSTALLATION MANUAL

MONTAGEANLEITUNG
INSTRUCTIONS DE MONTAGE
ISTRUZIONI PER IL MONTAGGIO



Product Data

Product Specifications

Geberit article number 109.797.00.1

Flush volume: 1.6 / 0.8 gpf (6.0 / 3.0 lpf)

Concealed tank for floor-standing WC and actuator plate.

Water supply connection 1/2" copper, minimum water pressure 35 PSI.

For Geberit actuator plates Sigma.

To achieve the specified flush volume, the washdown WC for single or dual flush from a third-party supplier must be ANSI-listed.

Approved for use in the US and Canada (cUPC®).

Properties

- Backflow preventing fill valve.
- Shockproof concealed tank, fully insulated against condensation, made of high-density polyethylene (HDPE).

Warranty

Limited lifetime warranty on tank. 10-year warranty on fill valve and flush valve. One year warranty on actuator plate.

Material Requirements

Recommended material for a supporting structure:

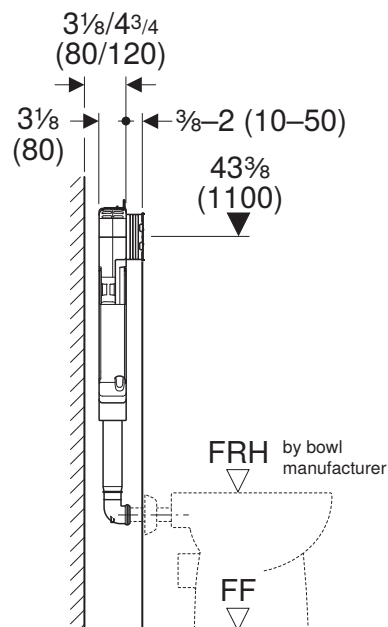
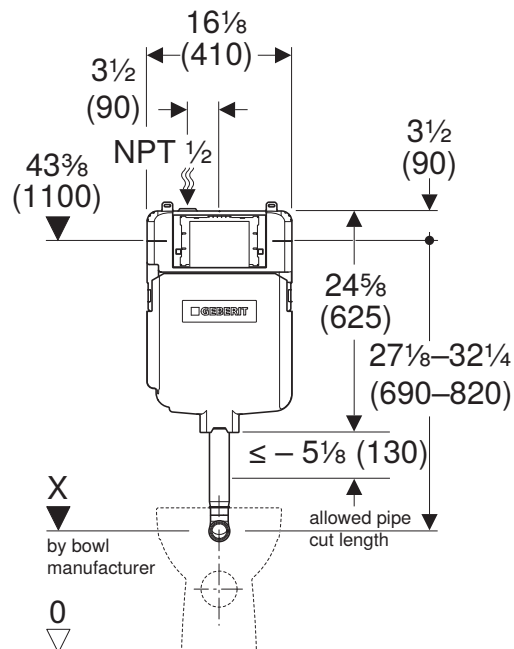
- Gypsum board (green)
- Board made of fiber cement
- Tile-bearing board
- Tiles made of ceramic



Minimum covering thickness 3/8" (10 mm).

Dimensions in Inches

Installation Dimensions



Installation rules

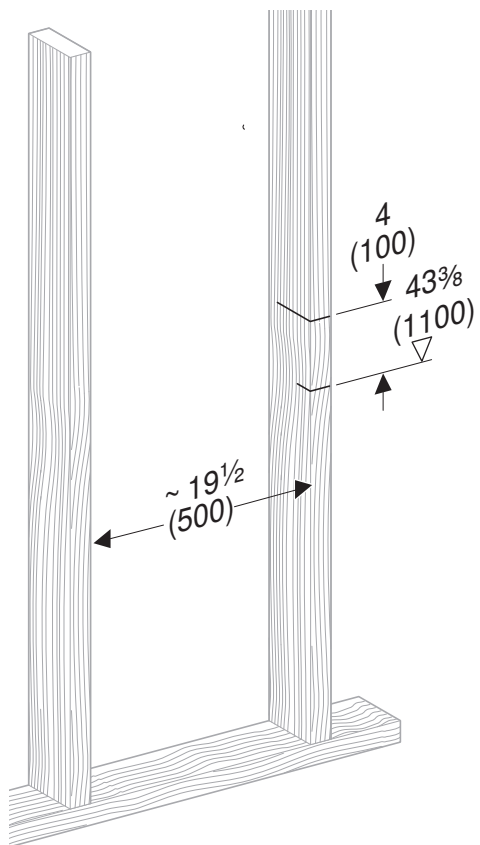
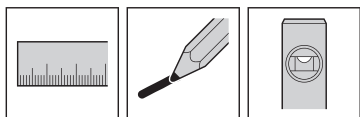
To install the concealed tank, a 2 x 4" wood construction is required. The studs must be placed 19 1/2" (clearance) apart.

Finished Rim Height (FRH)

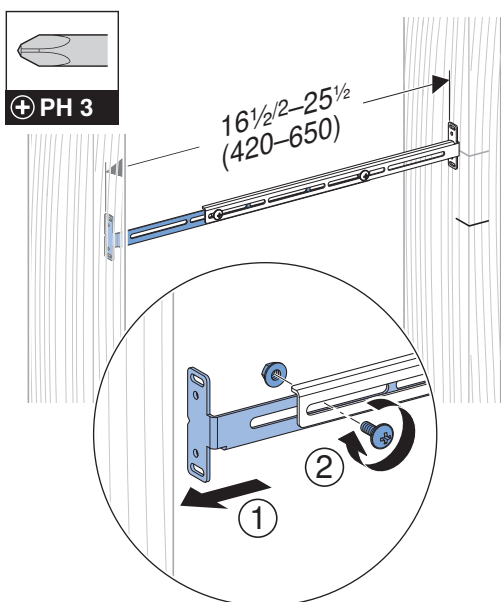
Determine FRH for the floor-standing WC and adjust the height of the concealed tank in accordance with the dimensions of the WC ceramic. The height of the floor construction must also be observed.



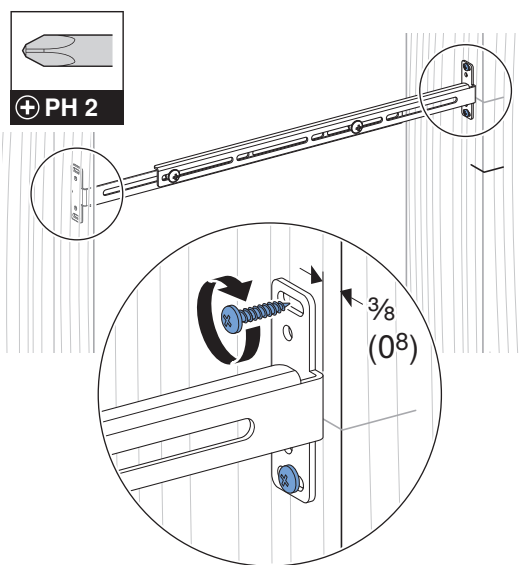
1



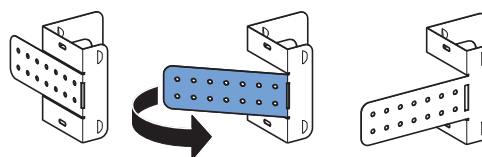
2



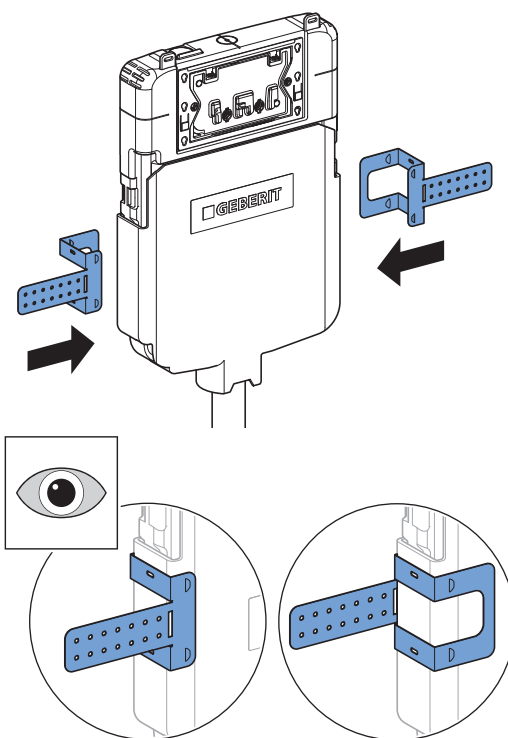
3



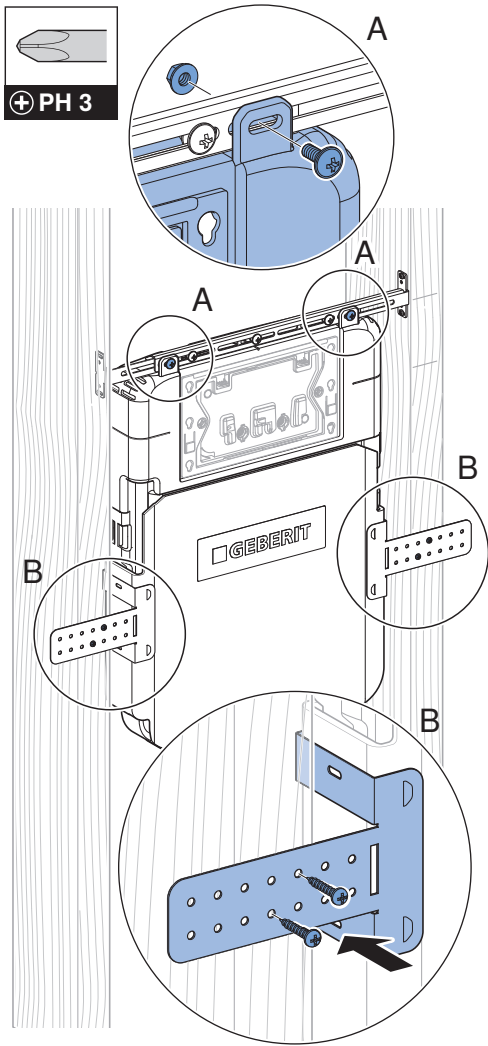
4



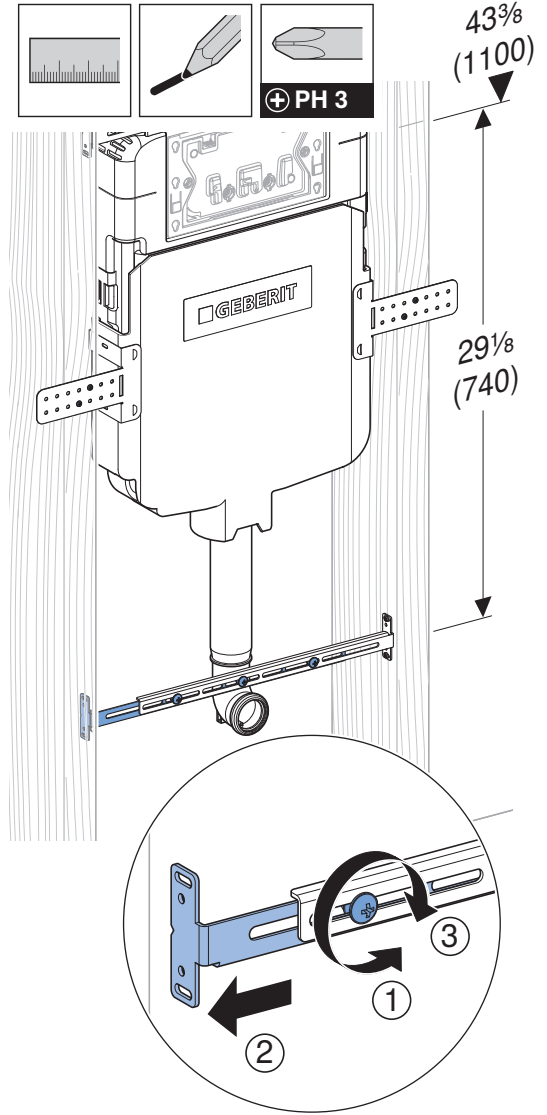
5



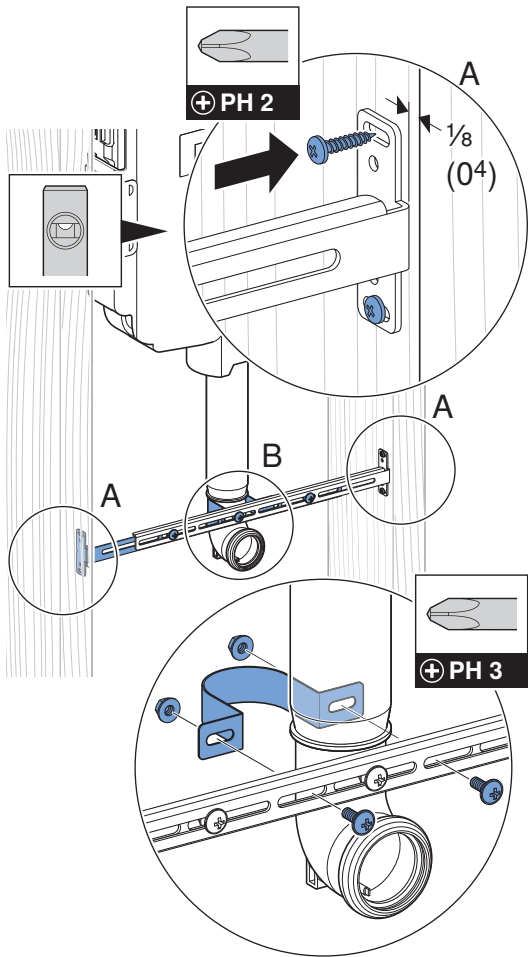
6



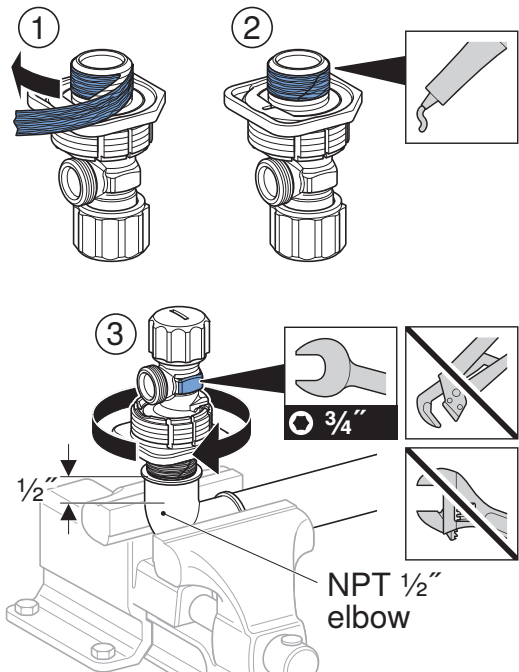
7



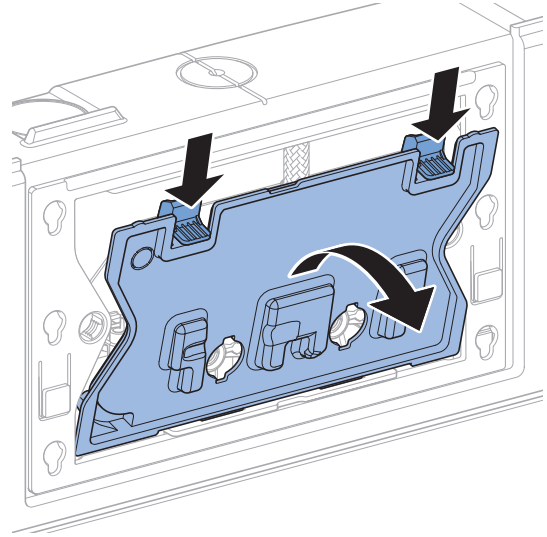
8



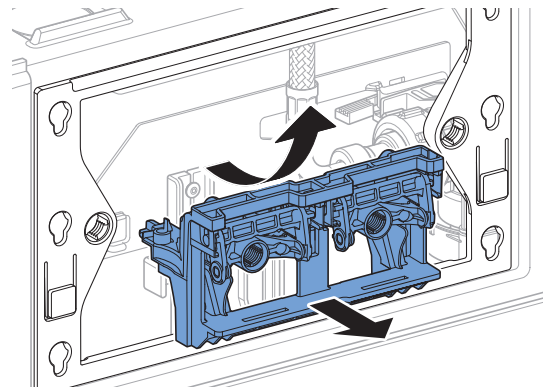
1



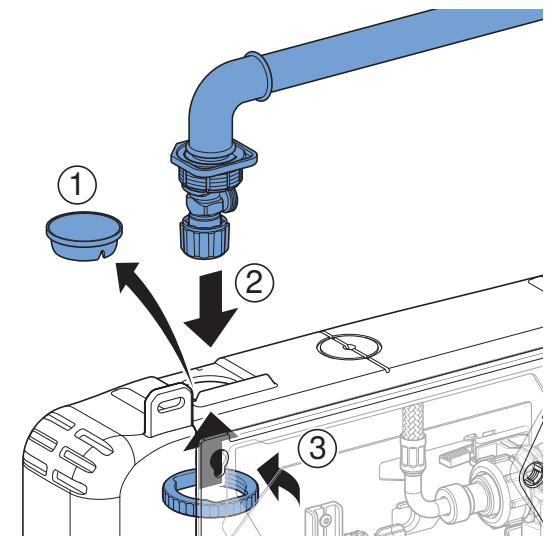
2



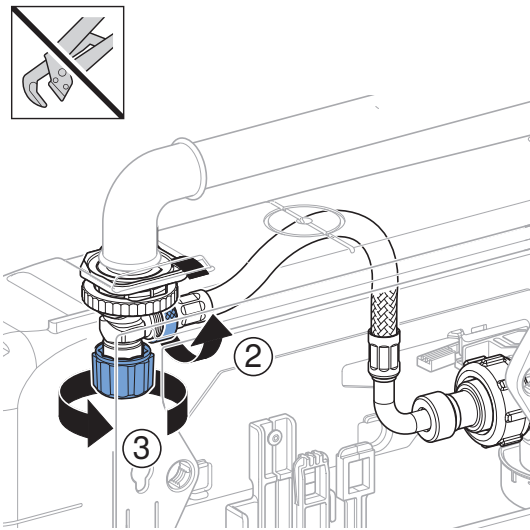
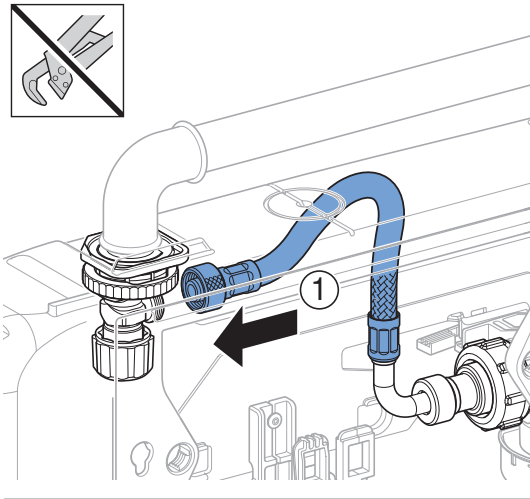
3



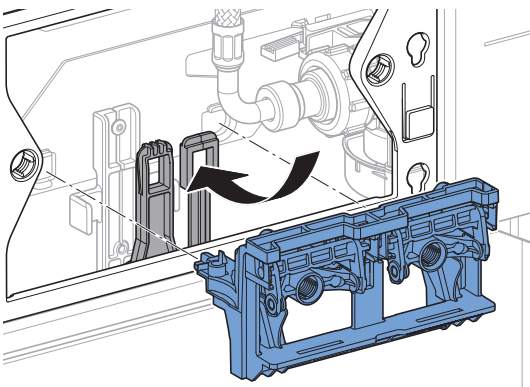
4



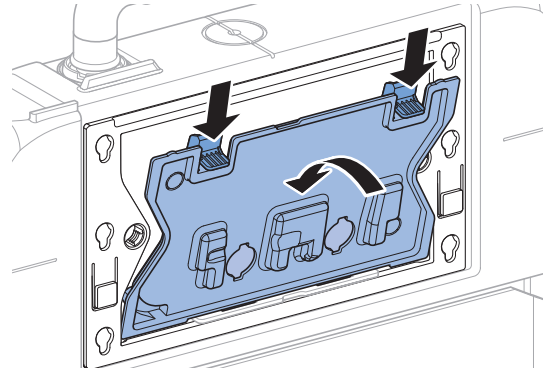
5



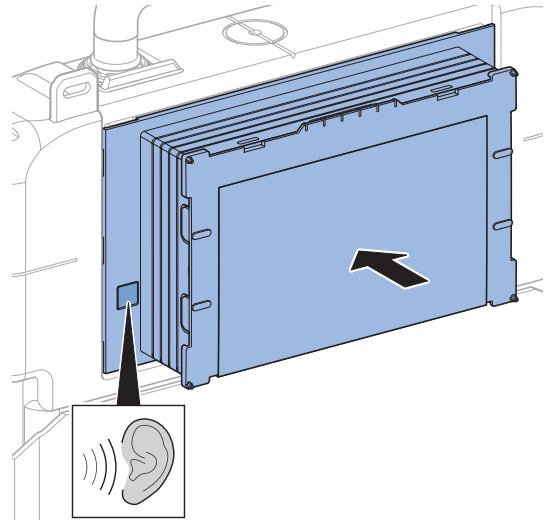
6



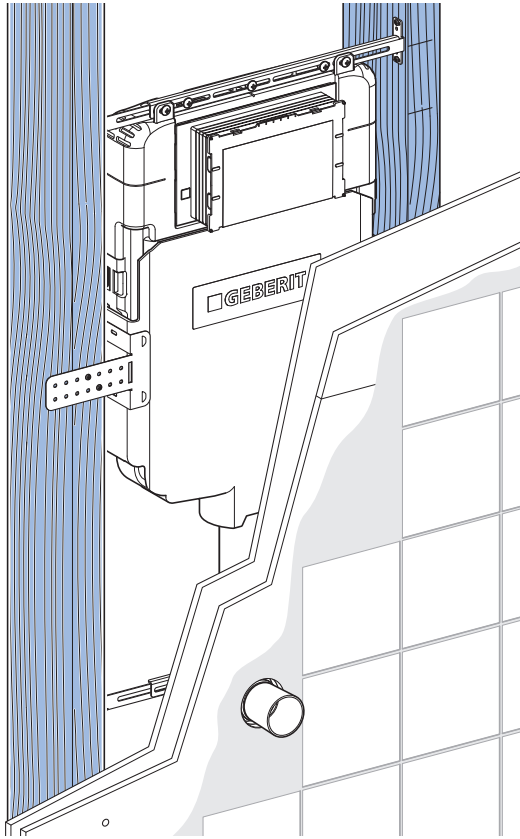
7



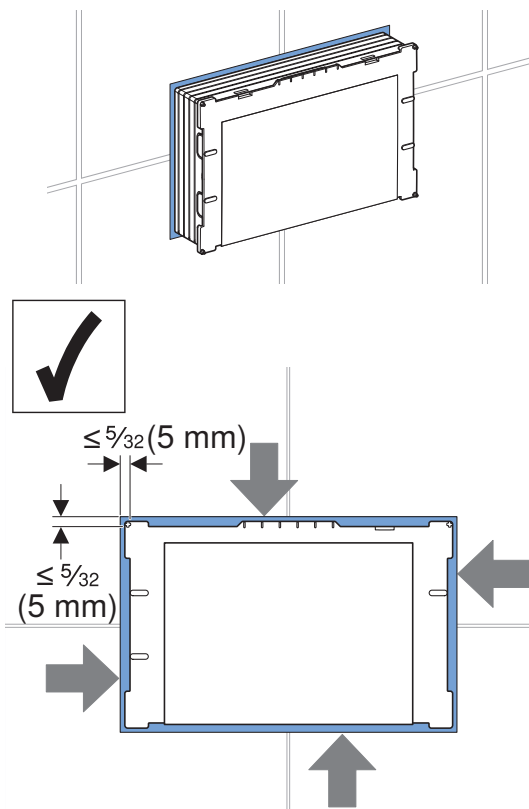
8



1



2



Geberit
2100 South Clearwater Drive
Des Plaines, IL 60018 US
Phone: 847/803-5000
Fax: 847/803-5454
Technical: 800/832-8783
www.geberit.us

Geberit International AG
Schachenstrasse 77, CH-8645 Jona
documentation@geberit.com
www.geberit.com