

# GEBERIT FLUSHING SYSTEM

## For 1.6/0.8 GPF (6/3 LPF) and 1.28/0.8 GPF (4.8/3 LPF) Floor-Mount, Back Outlet Toilets, 2x4 Installations

### PRODUCT SPECIFICATIONS

In-Wall Sigma concealed tank with actuator flush panel or pneumatic push button for washdown floor mounted toilet with rear water inlet. System shall fit within minimum 3½" (90 mm) framing wall or plumbing chase, with wood construction or steel framing members placed 19¾" (500 mm) apart. Water supply shall have flow diameter no smaller than ½" (13 mm) copper tube, and a minimum flow pressure of 2 PSI (0.01 MPa). The toilet bowl shall be a third party listed low-consumption 1.6 GPF (6 LPF), 1.6/0.8 GPF (6/3 LPF) dualflush or 1.28/0.8 GPF (4.8/3 LPF) dual-flush floor mounted toilet with rear water inlet type. All components shall be compliant with applicable codes and product standards.

### FEATURES

- Water consumption – Dual-flush system allows 1.6/0.8 GPF (6/3 LPF) or 1.28/0.8 GPF (4.8/3 LPF) Type212, giving effective flush volume of 1.1 GPF (4 LPF)
- Anti-siphon fill valve
- Impact resistant high density polyethylene (HDPE) tank, insulated to prevent condensation
- Bowl rim height depends on ceramic chosen. See manufacturer for details
- For finished walls up to 3½" (9cm) thick
- For use with Geberit Sigma actuator plates (not included)
- Includes installation and rough-in materials


Complies with the latest editions of:



- ASME: A112.19.5, A112.19.14
- ANSI Z124.4
- CSA B125.3
- ANSI/ASSE 1002
- IAPMO PS-50
- UNAR / UNAR-HET
- ASME A112.19.2
- State of Massachusetts listed

### WARRANTY

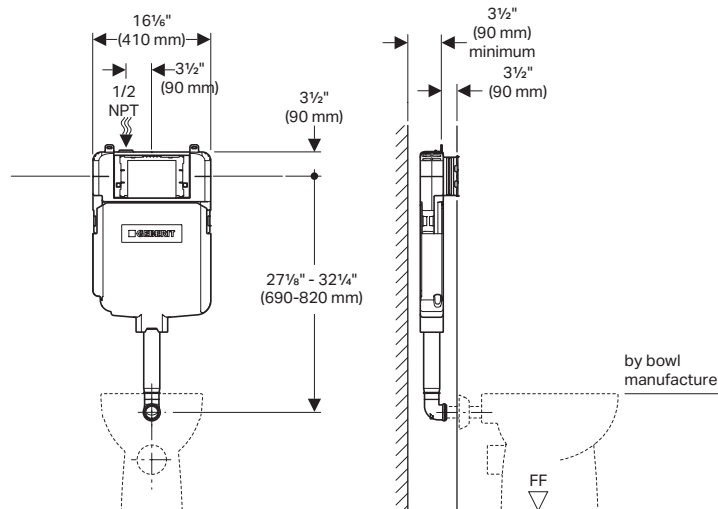
- Limited lifetime warranty on tank and carrier, 10-year warranty on fill valve

Not intended for installation within outside walls or for use with water supply temperatures less than 32°F (0°C) or greater than 65°F (18°C).

Products marked with  comply with the American Disabilities Act (ADA) when installed per the requirements of the latest ADA Accessibility Guidelines (ADAAG) and/or ICC/ANSI A117.1.

Model No.	Description	
109.797.00.1	Geberit Sigma Concealed Tank with 1.60/0.8 GPF	
107.781.00.1	Geberit Sigma Concealed Tank with 1.20/0.8 GPF	

Where water closet grab bars are required and corresponding reinforcement provided as outlined in the latest NYC Building Code and Federal FHA Guidelines, the installed product complies both for grab bars installed at the time of initial construction as well as for grab bars planned for future installation.



### ARCHITECT/ENGINEER APPROVAL

Job Name: \_\_\_\_\_

Date: \_\_\_\_\_ Quantity: \_\_\_\_\_

Model Specified: \_\_\_\_\_

Variations Specified: \_\_\_\_\_

Customer/Wholesaler: \_\_\_\_\_

Contractor: \_\_\_\_\_

Architect: \_\_\_\_\_

# GEBERIT FLUSHING SYSTEM

**For 1.6/0.8 GPF (6/3 LPF) and 1.28/0.8 GPF (4.8/3 LPF) Floor-Mount, Back Outlet Toilets, 2x4 Installations**

## COMPATIBLE 1.28/0.8 GPF (4.8/3 LPF) FLOOR MOUNT TOILET BOWL MODELS



Brand Name	Model Number*	Model Name
Duravit	216909	ME by Starck
	216959	ME by Starck

## WATERSENSE EPA HIGH EFFICIENCY COMPATIBLE 1.28/0.8 GPF (4.8/3 LPF) FLOOR MOUNT TOILET BOWL MODELS



Brand Name	Model Number*	Model Name
Duravit	216909	ME by Starck
	216959	ME by Starck

## COMPATIBLE 1.6/0.8 GPF (6/3 LPF) FLOOR-MOUNT TOILET BOWL MODELS



Brand Name	Model Number*	Model Name
Devon & Devon	WCBTWBLU	Blues
	WCBTWCLA	Classica
	WCBTWET	Etoile
	WCBTWNET	New Etoile
	WCBTWROS	Rose
	WCBTWWES	Westminster
Laufen	823338	Kartell
Neo-Metro	8951-W-2	Euro-Urban
Villeroy & Boch	6607 U1 XX	Subway

## WATERSENSE EPA HIGH EFFICIENCY COMPATIBLE 1.6/0.8 GPF (6/3 LPF) FLOOR-MOUNT TOILET BOWL MODEL



Brand Name	Model Number*	Model Name
Laufen	823338	Kartell

\*Consult toilet manufacturers for up-to-date model numbers and availability.

**Geberit**  
 2100 S. Clearwater Drive  
 Des Plaines, IL 60018  
 USA

**P 847-803-7777**  
**F 847-849-1845**

**www.geberit.us**