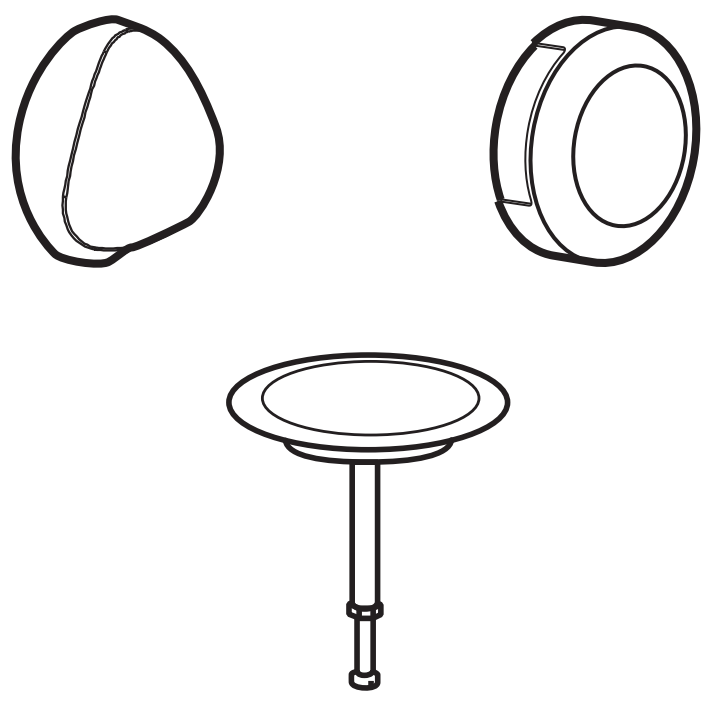


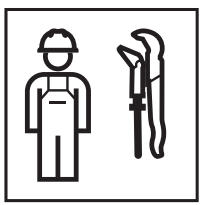
← fold (drop keyline)



↑ fold (drop keyline)
↓ fold (drop keyline)

Installation Manual

Montageanleitung
Instructions de montage
Istruzioni per il montaggio



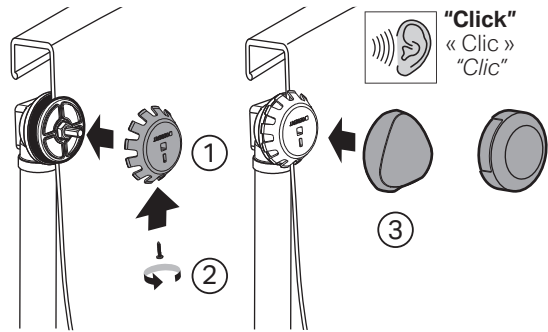
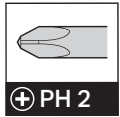
fold (drop keyline)



1

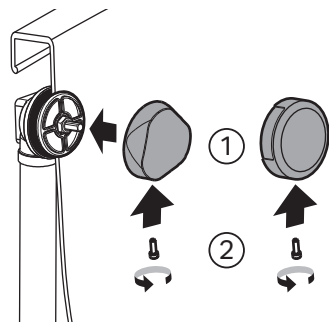
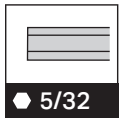
1

Plastic
Plastique
Plástico



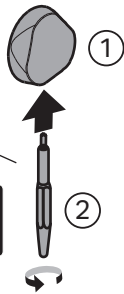
2

Metal
Métal
Metal

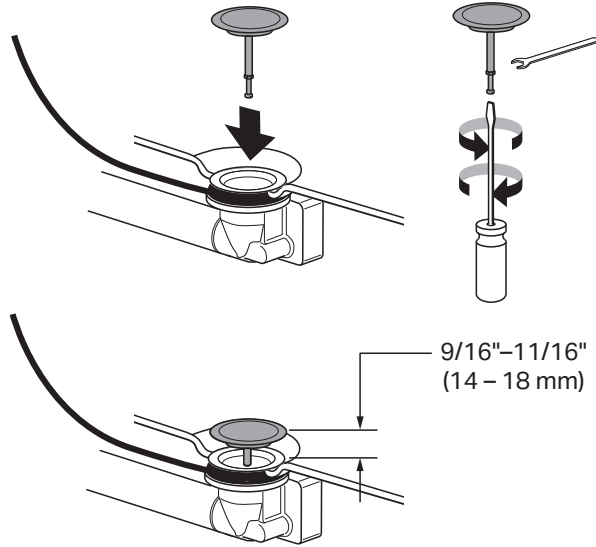


3

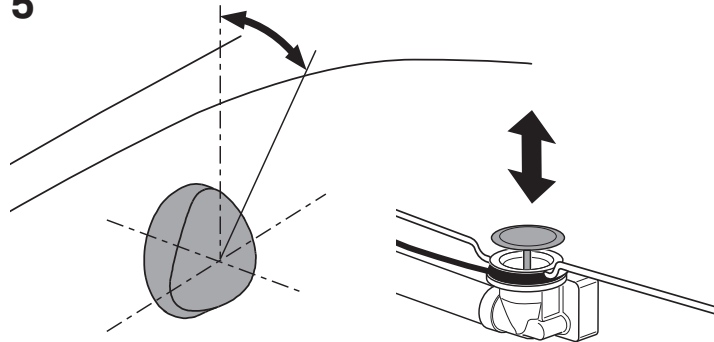
Metal
Métal
Metal



4



5



fold (drop keyline)

Geberit
2100 S. Clearwater Drive
Des Plaines, IL 60018
USA
P 800-566-2100
F 847-803-5454
→ geberit.us