

ROUGHING IN DIMENSIONS MAY VARY AND ARE SUBJECT TO CHANGE. NO RESPONSIBILITY IS ASSUMED FOR USE OF SUPERCEDED OR VOIDED DATA.



2100 South Clearwater Drive  
Des Plaines, IL 60018  
Phone: 800-566-2100  
Fax: 847-803-5454  
www.geberitnorthamerica.com

# ROUGH-IN

BY: SID    DATE: 05-07-08  
CHK: *[Signature]*    REV:

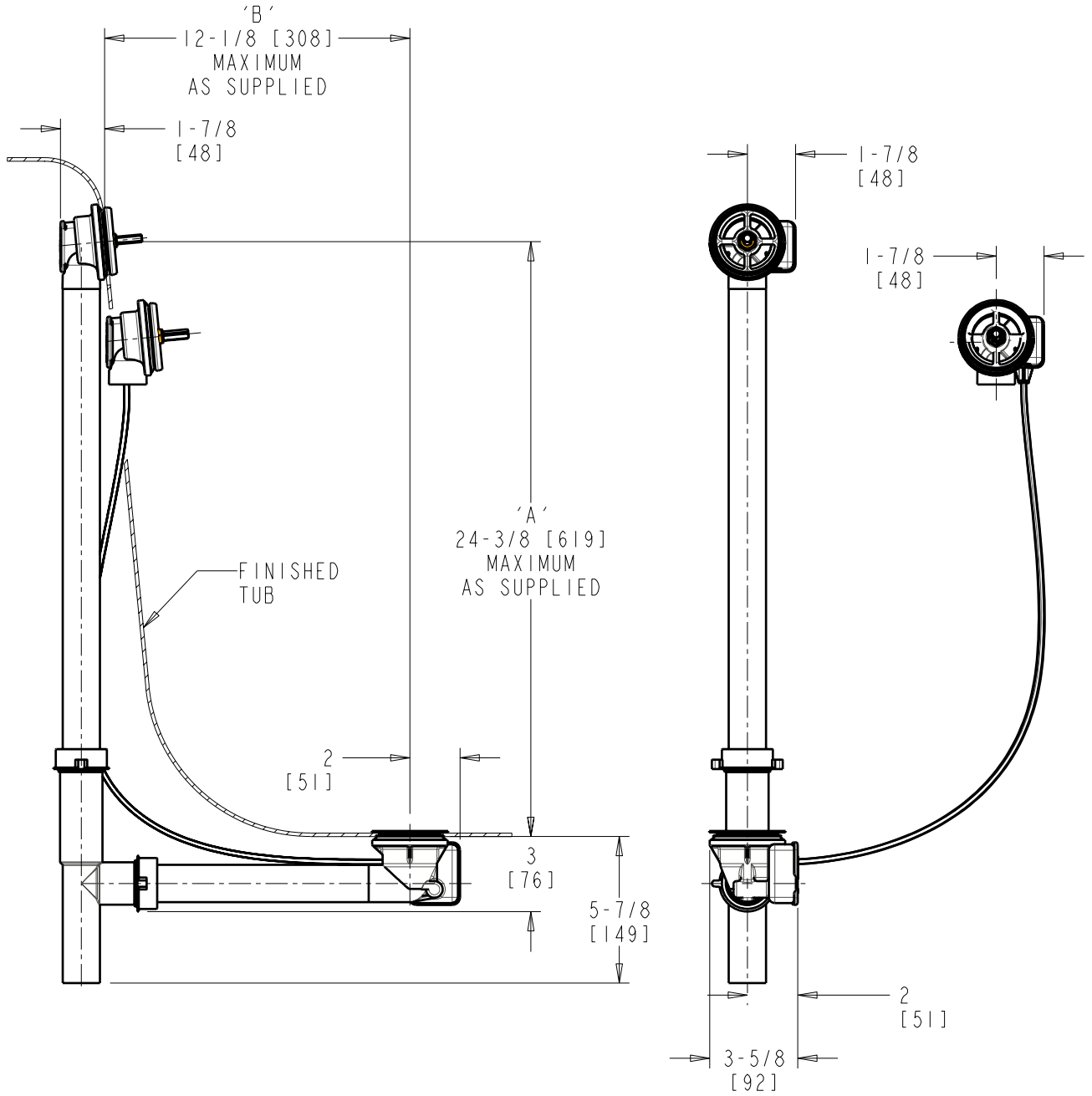
FITTING NO.

151.518.00.1

SUBMITTED MODEL NO.

**FOR TECHNICAL ASSISTANCE**  
1-800-TEC-TRUE (1-800-832-8783)

SUBMITTED AS SHOWN	SUBMITTED AS NOTED	SEE ATTACHED FOR SUBMITTED MODIFICATION
JOB NAME		ITEM NO.



DIMENSIONS ARE IN INCHES AND [MILLIMETERS].

**TECHNICAL DATA**

- TURN CONTROL CABLE-OPERATED BATH WASTE AND OVERFLOW
- ROUGH-IN BODY FOR REMOTE ACTIVATION
- FITS MOST TUBS 17"-24" DEEP
- 1-1/2" TUBULAR PP .08 WALL
- FITS TUB WALL THICKNESS 1/16" TO 5/16"
- 2" DIA. DRAIN HOLE OPENING
- 2" TO 2-1/2" DIA. OVERFLOW HOLE OPENING
- STAINLESS STEEL STRAINER
- 59" TEFLON® COATED STAINLESS STEEL CABLE
- INSTALLATION TOOL INCLUDED
- ASME A112.18.2/CSA B125.2 COMPLIANT