

Geberit Product and Parts Catalog

February 2017

**KNOW
HOW
INSTALLED**



Table of Contents

Geberit North America is part of the Geberit Group, a European market leader and global provider of sanitary technology. Located in Des Plaines, Illinois, Geberit North America provides concealed tank and carrier systems for wall-hung and floor-mounted toilets and fixtures. Geberit systems improve the look of any bathroom by hiding the unsightly toilet tank. Replacing a standard tank and toilet with the Geberit system results in more usable space, improved hygiene and better accessibility. The unique dual-flush valve saves water and is practically maintenance free. Geberit also offers cable-controlled bath waste and overflows in a variety of designer finishes. Critical working parts are outside the waterway, ensuring years of trouble-free operation.

For more information, contact your Geberit sales representative, call 800/566-2100 or go to → geberit.us.

Geberit Installation Systems	Page 3
Product features, installation scenarios and system components	4-5
Systems for Wall-Hung Toilets	
Geberit Duofix Carrier with Sigma Concealed Tank (2x6 Installation) and actuators	6-7
Geberit Duofix Carrier with Sigma Concealed Tank (2x4 Installation) and actuators	8-9
Geberit Duofix Carrier with Omega Concealed Tank (pre-wall Installation) and actuators	10
Systems for Wall-Hung Urinals	
Geberit Duofix Carrier and actuators	11
Systems for Wall-Hung Bidets	
Geberit Duofix Carrier	12
Systems for Wall-Hung Lavatories	
Geberit Duofix Carrier	12
Systems for Floor-Mounted, Back Outlet Toilets	
Geberit Sigma Concealed Tank (2x6 Installation) and actuators	14-15
System Accessories	
Installation and Flushing Systems	16-18
Geberit Monolith	21
Systems for Floor-Mounted Toilets	
Geberit Monolith System for Floor-Mount Toilets	22
System for Wall-Hung Toilets	
Geberit Monolith System for Wall-Hung Toilets	22
Geberit Bath Waste & Overflow Systems	23
Trim Finishes and Rough-In Unit Materials	24-25
Selecting the Right Size Bath Waste & Overflow	26-27
TurnControl BWO Systems	
Rough-in, Remote Control, Complete Units, Trim Kits and accessories	28-29
PushControl BWO Systems	
Complete Units and accessories	30
TurnControl BWO Systems with Cascading Tub Filler	
Complete Units and accessories	30
Geberit Replacement Parts	31
Installation Systems, Flushing System, Actuators and Cover Plates	
Geberit Installation Systems, Duofix Carriers	32-39
Geberit Flushing System, Sigma Concealed Tank	40
Sigma, Samba, Twist, Mambo, Rumba and Tango Flush Plate Actuators	41-46
Type 01 and Type 10 Remote Push Button Actuators	47
Type 70 Remote Push Button Actuators	48
Rectangular Remote Push Button Actuators	49
Inactive Remote Push Buttons Actuators	50-51
Sigma Cover Plates	52
Sigma Cover Plates, Surface Even	53
Omega Cover Plate, Surface Even	53
Omega Flush Plate Actuators	54
Inactive Kappa Flush Plate Actuators	55
Inactive Flush Plate Actuators	56-57
Urinal Flush Plate Actuators	58-59
Monolith	
Floor-Mount	60
Wall-Mount Module 2.0	61
Inactive Module 1.0	62
Flushing Systems	
Filling Valves and Flushing Valves	63
Bath Waste & Overflow Systems	
Replacement parts, kits, TurnControl handles and plunger assemblies	64-65
Index	66-69
Limited Warranty	70

Possession of this Catalog does not constitute an offer to sell Geberit product.

Please refer to → geberit.us for our comprehensive terms and conditions.

Geberit Installation Systems



19 3/4" (500 mm)



65"

68"

26 3/4"

(670 mm)

7 1/8" or
9 1/8"
(180 or
230 mm)

4"

Distinctive... Sustainable... Uncompromising

Geberit Installation Systems keep the unsightly out of sight.

Aesthetics

Safely hidden behind the wall, Geberit in-wall technology allows unique beauty from floor to ceiling.

Water Saving

Geberit dual-flush technology provides an effective flush volume of 1.1 GPF, exceeding the 1.28 GPF High Efficiency Toilet (HET) standard.

Space Saving

Putting the unsightly toilet tank in the wall, where it belongs, gives you more room. The entire bathroom is safer and more accessible.

Easy to Clean

Because the toilet is off the floor, cleaning the entire area is easy.

Flexibility

The adjustable-height carrier allows you to position the toilet 15" to 19" off the floor for meeting ADA requirements or personal preference.

Strength and Stability

The Geberit installation system supports up to 880 lbs., exceeding ASME A112.6.2 strength requirements.

Accessible Maintenance

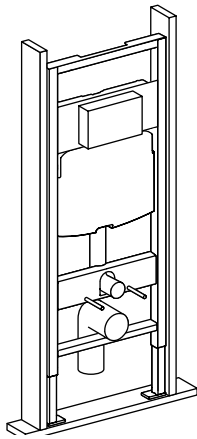
The Geberit installation system offers easy access to all internal components, including the fill and flush valves, through decorative actuator flush panels. No tools are needed for simple changeouts.



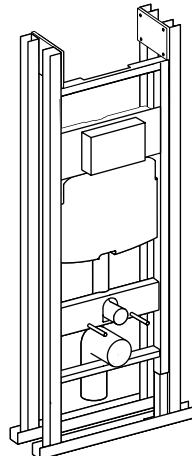
Installation Scenarios

Geberit Duofix carriers are simple and easy to install. They require either a 2" x 4" or a 2" x 6" wood frame or metal frame construction. The studs must be placed 19-3/4" apart where the carrier will be positioned inside a wall. For pre-wall installations, frame to wall anchors are needed.

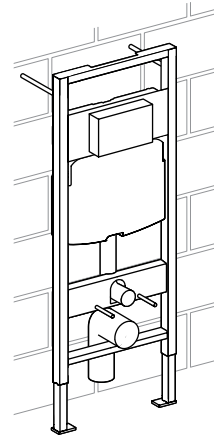
Wood frame in-wall installation, front activation.



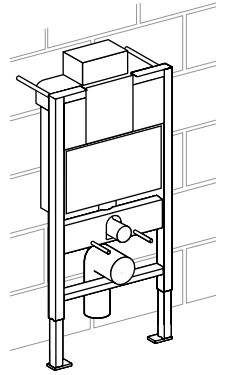
Metal frame in-wall installation, front activation.



Pre-wall installation, front activation.



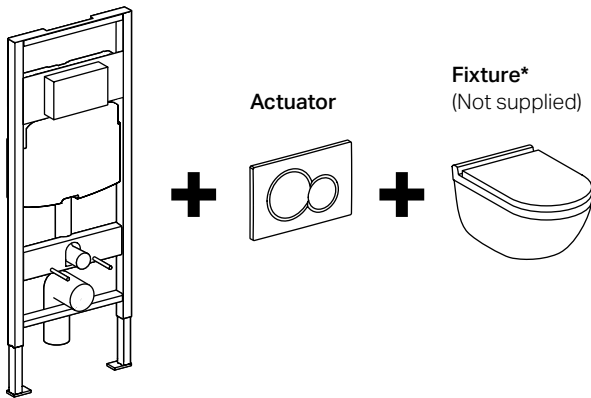
Pre-wall installation, top or front activation.



System Components

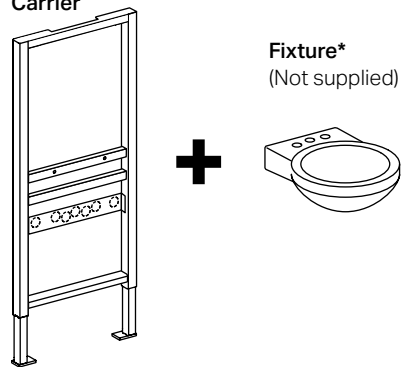
Toilet (See pages 6-10)

Geberit Duofix Carrier with Concealed Tank



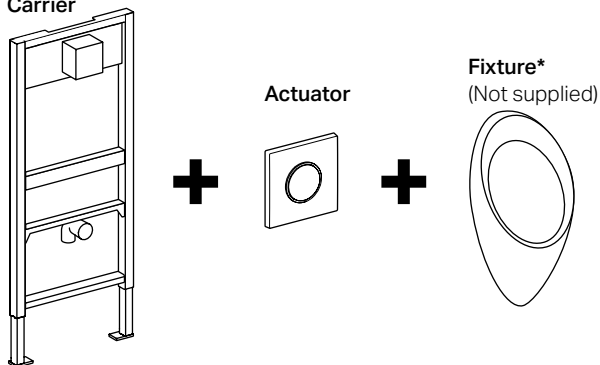
Lavatory (See page 12)

Geberit Duofix Carrier



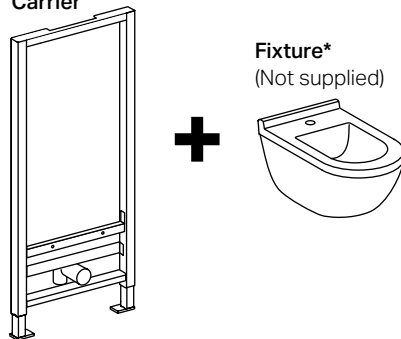
Urinal (See page 11)

Geberit Duofix Carrier



Bidet (See page 12)

Geberit Duofix Carrier

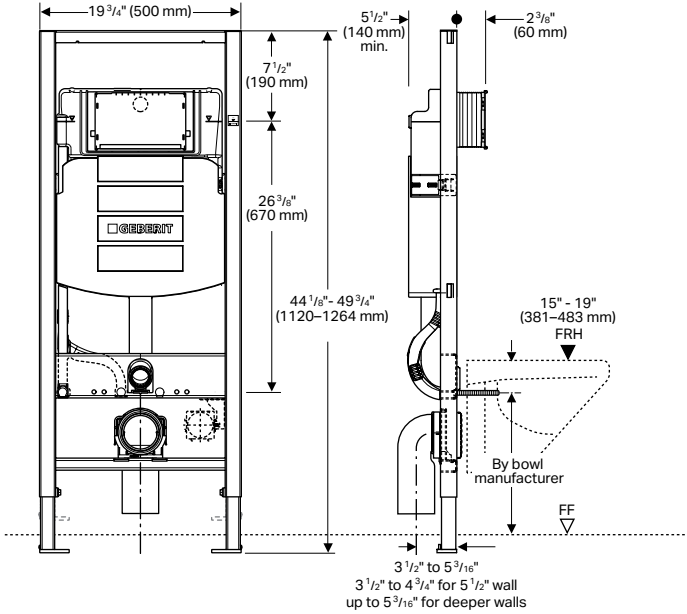


* Contact vitreous china manufacturer for complete selection of products. Refer to → geberit.us for recommended manufacturers.

Systems for Wall-Hung Toilets for Sigma 2x6 Installation

Geberit Duofix Carrier, Sigma 2x6 Installation


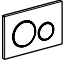
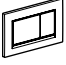
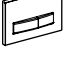
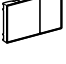
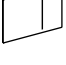
Model No.	Description	List Price
111.335.00.5	Carrier frame with Sigma Concealed Tank	\$519.00



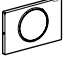
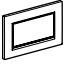
- NOTES:
1. Concealed tank shipped dual-flush ready
 2. Geberit Duofix Carrier for 2-hole washdown style wall-hung toilet fixtures only
 3. Refer to → geberit.us for latest list of code approved compatible toilet fixtures, including certified WaterSense® combinations


Note: For System Accessories see pages 16-18.

Dual-Flush Actuators, Sigma 2x6 Installation

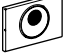




Style	Material	Finish	Model No.	List Price		
	Plastic	Alpine White	115.770.11.5	\$89.00		
		Polished Chrome	115.770.21.5	121.00		
		Matte Chrome	115.770.46.5	121.00		
	Metal	Br Ni-Polished Ni-Br Ni*	115.882.ID.1	251.00		
		Br SS-Polished SS-Br SS*	115.882.SN.1	252.00		
		Br Ni-Polished Ni-Br Ni* VR	115.889.ID.1	290.00		
		Br SS-Polished SS-Br SS* VR	115.889.SN.1	290.00		
	Plastic	Polished Chr-Matte Chr-Polished Chr*	115.882.KH.1	187.00		
		White-Polished Chrome-White*	115.882.KJ.1	129.00		
		White-Polished Gold-White*	115.882.KK.1	595.00		
		White-Matte Chr-Matte Chr*	115.882.KL.1	159.00		
		Black-Polished Chrome-Black*	115.882.KM.1	159.00		
		Matte Chr-Pol Chr-Matte Chr*	115.882.KN.1	187.00		
	Plastic	Polished Chr-Matte Chr-Polished Chr***	115.883.KH.1	210.00		
		White-Polished Chrome-White***	115.883.KJ.1	131.00		
		White-Polished Gold-White***	115.883.KK.1	170.00		
		White-Matte Chr-Matte Chr***	115.883.KL.1	170.00		
		Black-Polished Chrome-Black***	115.883.KM.1	170.00		
		Matte Chr-Polished Chr-Matte Chr***	115.883.KN.1	210.00		
		Sigma50 	Die Cast	Customer supplied inlay	115.788.00.5	366.00
				Alpine White	115.788.11.5	366.00
				Polished Chrome	115.788.21.5	472.00
				Black	115.788.DW.5	366.00
Sigma60+ 	Die Cast	Brushed chrome	115.640.GH.1	618.00		
		Glass				
	Glass	White Glass	115.640.SI.1	618.00		
		Black Glass	115.640.SJ.1	618.00		
		Umber Glass	115.640.SQ.1	618.00		
		Rough-in set (REQUIRED accessory)	243.168.00.1	16.00		
		Cover frame (optional accessory) Polished Chrome	115.641.21.1	160.00		
		Cover frame (optional accessory) Brushed Chrome	115.641.GH.1	160.00		
		Sigma70 	Die Cast	Customizable	115.620.00.1	523.00
				Metal		
Glass	Br SS	115.620.FW.1	694.00			
	White Glass	115.620.SI.1	612.00			
	Black Glass	115.620.SJ.1	612.00			
Glass	Umber Glass	115.620.SQ.1	612.00			

Single-Flush Actuators, Sigma 2x6 Installation













	Sigma10+ Metal	Br SS	115.758.SN.5	\$252.00
		Br SS VR	115.787.SN.5	286.00
	Plastic	Polished Chr-Matte Chr-Polished Chr*	115.758.KH.5	187.00
		White-Polished Chrome-White*	115.758.KJ.5	130.00
		White-Polished Gold-White*	115.758.KK.5	371.00
		White-Matte Chr-Matte Chr*	115.758.KL.5	159.00
Sigma30+ 	Die Cast	Black-Polished Chrome-Black*	115.758.KM.5	159.00
		Matte Chr-Pol Chr-Matte Chr*	115.758.KN.5	187.00
		Polished Gold***	115.893.45.1	594.00
Die Cast	White-Polished Chr-White***	115.893.KJ.1	246.00	
	Br Chrome-Pol Chr-Br Chrome***	115.893.KX.1	361.00	
	Pol Chr-Br Chrome-Pol Chr***	115.893.KY.1	361.00	

Products marked with  comply with the American Disabilities Act (ADA) when installed per the requirements of the latest ADA Accessibility Guidelines (ADAAG) and/or ICC/ANSI A117.1.



Hands-Free Actuators and Transformer, Sigma 2x6 Installation

Style	Material	Finish	Model No.	List Price
	Metal	Br SS (AC Power)	115.890.SN.5	\$858.00
	Single-Flush	Br SS (Battery/DC Power)	115.891.SN.5	858.00
	Glass	Black (AC Power)	116.090.SG.1	1,448.00
	Dual-Flush	Mirror (AC Power)	116.090.SM.1	1,448.00
		Connection cable (optional accessory) length 78-3/4" (2 m)	242.658.00.1	42.00
		Extension mains cable (optional accessory for Sigma10 and Sigma80) length 78-3/4" (2 m)	241.831.00.1	58.00
		Transformer for AC powered hands-free actuator. (For Sigma10 and Sigma80)	115.861.00.1	145.00


Dual-Flush Buttons for Concealed Installations, Sigma 2x6 Installation

	Plastic	Alpine White	116.042.11.1	\$119.00
		Polished Chrome	116.042.21.1	154.00
	Plastic	Alpine White 	116.044.11.1	119.00
	Plastic	Matte Chr-Polished Chr**	116.055.KH.1	170.00
		Polished Chrome-White**	116.055.KJ.1	154.00
	Metal	Br SS 	115.630.FW.1	782.00
		White Glass 	115.630.SI.1	664.00
		Black Glass 	115.630.SJ.1	664.00
		Umber Glass 	115.630.SQ.1	664.00
	Plastic	Polished Chrome-Matte Chrome**	115.932.KA.1	154.00
		Metal	Brushed Chrome	115.932.GH.1
	Plastic	Polished Chrome 	115.934.21.1	154.00

Dual-Flush Buttons for Furniture Installations, Sigma 2x6 Installation

	Plastic	Alpine White	116.050.11.1	\$119.00
		Polished Chrome	116.050.21.1	154.00
		Matte Chrome	116.050.46.1	154.00
	Plastic	Matte Chr-Polished Chr**	116.057.KH.1	170.00
		Polished Chrome-White**	116.057.KJ.1	154.00

Single-Flush Buttons for Concealed Installations, Sigma 2x6 Installation

	Plastic	Alpine White	116.040.11.1	\$101.00
		Polished Chrome	116.040.21.1	119.00

* Finishes follow this pattern = Plate-Ring-Button

** Finishes follow this pattern = Frame-Button

*** Finishes follow this pattern = Frame-Button Edge Trim-Button

† Note: For tile, stone or other hard surfaced walls only!


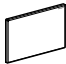
‡ Not intended to be sold in California

VR = Vandal Resistant


Br SS = Brushed Stainless Steel

Br Ni = Brushed Nickel


Cover Plates for Sigma Concealed Tank, Sigma 2x6 Installation, for use with Flush Buttons

Style	Material	Finish	Model No.	List Price
	Glass	White	115.766.SI.1	\$205.00
	Metal	Br SS	115.764.FW.1	164.00
	Plastic	Customizable	115.766.00.1	164.00
		Alpine White	115.768.11.1	71.00
		Polished chrome	115.768.21.1	94.00
		Matte Chrome	115.768.46.1	94.00

Surface Even Cover Plates for Sigma Concealed Tank, 2x6 Installation, for use with Flush Buttons

	Plastic	Customizable + rough-in kit†	115.698.00.1	\$205.00
		Customizable with frame + rough-in kit†	115.699.00.1	258.00

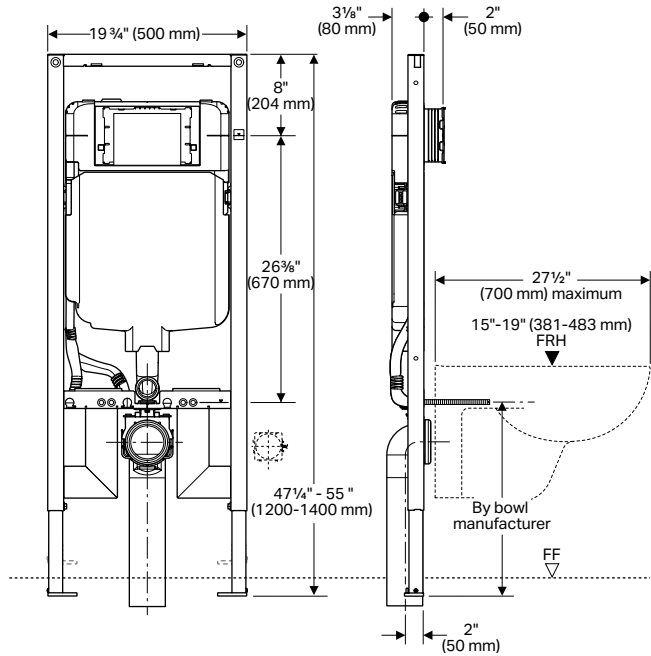
Note: Includes required accessory kit 243.168.00.1

Products marked with  comply with the American Disabilities Act (ADA) when installed per the requirements of the latest ADA Accessibility Guidelines (ADAAG) and/or ICC/ANSI A117.1.

Systems for Wall-Hung Toilets, 2x4 Installation

Geberit Duofix Carrier, Sigma 2x4 Installation


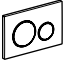
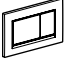
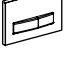
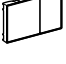
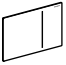
Model No.	Description	List Price
111.798.00.1	Carrier frame with Sigma Concealed Tank	\$646.00



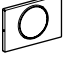
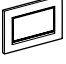
- NOTES:
1. Concealed tank shipped dual-flush ready
 2. Geberit Duofix Carrier for 2-hole washdown style wall-hung toilet fixtures only
 3. Refer to → geberit.us for latest list of Code approved Compatible toilet fixtures, including certified WaterSense® combinations


Note: For System Accessories see pages 16-18.

Dual-Flush Actuators, Sigma 2x4 Installation

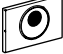

Style	Material	Finish	Model No.	List Price		
	Plastic	Alpine White	115.770.11.5	\$89.00		
		Polished Chrome	115.770.21.5	121.00		
		Matte Chrome	115.770.46.5	121.00		
	Metal	Br Ni-Polished Ni-Br Ni*	115.882.ID.1	251.00		
		Br SS-Polished SS-Br SS*	115.882.SN.1	252.00		
		Br Ni-Polished Ni-Br Ni* VR	115.889.ID.1	290.00		
		Br SS-Polished SS-Br SS* VR	115.889.SN.1	290.00		
	Plastic	Polished Chr-Matte Chr-Polished Chr*	115.882.KH.1	187.00		
		White-Polished Chrome-White*	115.882.KJ.1	129.00		
		White-Polished Gold-White*	115.882.KK.1	595.00		
		White-Matte Chr-Matte Chr*	115.882.KL.1	159.00		
		Black-Polished Chrome-Black*	115.882.KM.1	159.00		
		Matte Chr-Pol Chr-Matte Chr*	115.882.KN.1	187.00		
	Plastic	Polished Chr-Matte Chr-Polished Chr***	115.883.KH.1	210.00		
		White-Polished Chrome-White***	115.883.KJ.1	131.00		
		White-Polished Gold-White***	115.883.KK.1	170.00		
		White-Matte Chr-Matte Chr***	115.883.KL.1	170.00		
		Black-Polished Chrome-Black***	115.883.KM.1	170.00		
		Matte Chr-Polished Chr-Matte Chr***	115.883.KN.1	210.00		
			Die Cast	Customer supplied inlay	115.788.00.5	366.00
				Alpine White	115.788.11.5	366.00
Polished Chrome	115.788.21.5			472.00		
Black	115.788.DW.5			366.00		
Brushed Chrome	115.788.GH.5			472.00		
Smoke Glass	115.788.SD.5			472.00		
	Die Cast	Brushed Chrome	115.640.GH.1	618.00		
		Glass	White Glass	115.640.SI.1	618.00	
			Black Glass	115.640.SJ.1	618.00	
			Umber Glass	115.640.SQ.1	618.00	
		Cover frame (optional accessory)	115.641.21.1	160.00		
		Polished Chrome				
		Cover frame (optional accessory)	115.641.GH.1	160.00		
		Brushed Chrome				
		Note: Required accessory kit 243.168.00.1 is included with 111.798.00.1 carrier.				
			Die Cast	Customizable	115.625.00.1	523.00
Metal	Br SS			115.625.FW.1	694.00	
Glass	White Glass		115.625.SI.1	612.00		
	Black Glass		115.625.SJ.1	612.00		
	Umber Glass		115.625.SQ.1	612.00		

Single-Flush Actuators, Sigma 2x4 Installation










	Metal	Br SS	115.758.SN.5	\$252.00
		Br SS VR	115.787.SN.5	286.00
	Plastic	Pol Chr-Matte Chr-Polished Chr*	115.758.KH.5	187.00
		White-Polished Chrome-White*	115.758.KJ.5	130.00
		White-Polished Gold-White*	115.758.KK.5	371.00
		White-Matte Chr-Matte Chr*	115.758.KL.5	159.00
		Black-Polished Chrome-Black*	115.758.KM.5	159.00
		Matte Chr-Pol Chr-Matte Chr*	115.758.KN.5	187.00
		Die Cast	Polished Gold***	115.893.45.1
White-Polished Chr-White***	115.893.KJ.1		246.00	
Br Chrome-Pol Chr-Br Chrome***	115.893.KX.1		361.00	
Pol Chr-Br Chrome-Pol Chr***	115.893.KY.1		361.00	

Products marked with  comply with the American Disabilities Act (ADA) when installed per the requirements of the latest ADA Accessibility Guidelines (ADAAG) and/or ICC/ANSI A117.1.


Hands-Free Actuators and Transformer, Sigma 2x4 Installation

Style	Material	Finish	Model No.	List Price
Sigma10 [†] 	Metal	Br SS (AC Power)	115.856.SN.1	\$858.00
		Single-Flush		
Sigma80 	Glass	Black (AC Power)	116.092.SG.1	1,448.00
		Mirror (AC Power)	116.092.SM.1	1,448.00
		Connection cable (optional accessory) length 78-3/4" (2 mm)	242.658.00.1	42.00
		Extension mains cable (optional accessory for Sigma10 and Sigma80) length 78-3/4" (2 mm)	241.831.00.1	58.00
		Transformer for AC powered hands-free actuator. (For Sigma10 and Sigma80)	115.861.00.1	145.00


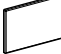
Dual-Flush Buttons for Concealed Installations, Sigma 2x4 Installation

Style	Material	Finish	Model No.	List Price	
Type 01 	Plastic	Alpine White	116.043.11.1	\$119.00	
		Polished Chrome	116.043.21.1	154.00	
	Plastic	Alpine White 	116.045.11.1	119.00	
Type 10 	Plastic	Matte Chr-Polished Chr**	116.056.KH.1	170.00	
		Polished Chrome-White**	116.056.KJ.1	154.00	
Type 70 	Metal	Br SS 	115.635.FW.1	782.00	
		Glass	White Glass 	115.635.SI.1	664.00
			Black Glass 	115.635.SJ.1	664.00
			Umber Glass 	115.635.SQ.1	664.00


Single-Flush Buttons for Concealed Installations, Sigma 2x4 Installation

Style	Material	Finish	Model No.	List Price
Type 01 [†] 	Plastic	Alpine White	116.041.11.1	\$101.00
		Polished Chrome	116.041.21.1	119.00

Cover Plates for Concealed Tank, Sigma 2x4 Installation, for use with Flush Buttons

	Glass	White	115.766.SI.1	\$205.00
		Br SS	115.764.FW.1	164.00
			Customizable	115.766.00.1
	Plastic	Alpine White	115.768.11.1	71.00
		Polished chrome	115.768.21.1	94.00
		Matte Chrome	115.768.46.1	94.00

Surface Even Cover Plates for Sigma Concealed Tank, 2x4 Installation, for use with Flush Buttons

	Plastic	Customizable [†]	115.696.00.1	\$205.00
		Customizable with frame [†]	115.697.00.1	258.00
Note: Required accessory kit 243.168.00.1 is included with 111.798.00.1 carrier.				

* Finishes follow this pattern = Plate-Ring-Button

** Finishes follow this pattern = Frame-Button

*** Finishes follow this pattern = Frame-Button Edge Trim-Button


† Note: For tile, stone or other hard surfaced walls only!

‡ Not intended to be sold in California

VR = Vandal Resistant

Br SS = Brushed Stainless Steel

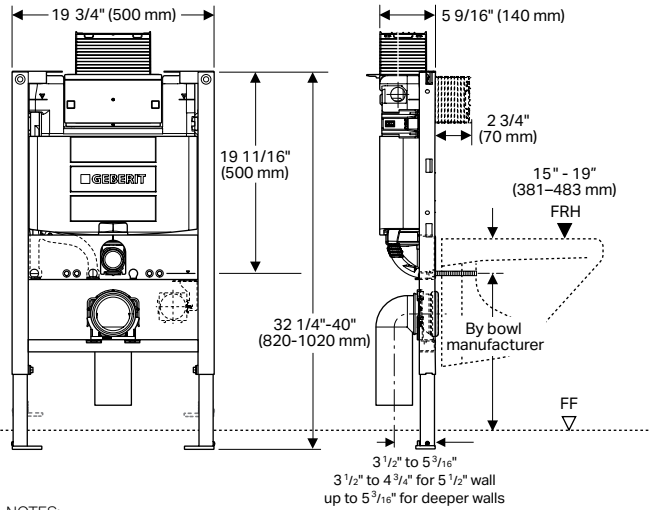
Br Ni = Brushed Nickel

Products marked with  comply with the American Disabilities Act (ADA) when installed per the requirements of the latest ADA Accessibility Guidelines (ADAAG) and/or ICC/ANSI A117.1.

Systems for Wall-Hung Toilets, Pre-Wall, 2x6 Installation

Geberit Duofix Carrier, Omega 2x6 Installation




Model No.	Description	List Price
111.012.00.1	Carrier frame with Omega Concealed Tank, pre-wall installations	\$557.00



- NOTES:
1. Concealed tank shipped dual-flush ready
 2. Carrier for 2-hole washdown style wall-hung toilet fixtures only
 3. Refer to geberit.us for latest list of code approved compatible toilet fixtures, including certified WaterSense® combinations










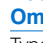


Note: For System Accessories see pages 16-18.

Dual-Flush Actuators, Omega 2x6 Installation



Style	Material	Finish	Model No.	List Price	
	Plastic	Polished Chrome/ Matte Chrome/Polished Chrome*	115.085.KH.1	\$260.00	
		White/Polished Chrome/White*	115.085.KJ.1	192.00	
		White/Gold-Plated/White*	115.085.KK.1	212.00	
		White/Matte Chrome/ Matte Chrome*	115.085.KL.1	212.00	
	Plastic	Polished Chrome/ Matte Chrome/Polished Chrome***	115.080.KH.1	260.00	
		White/Polished Chrome/White***	115.080.KJ.1	192.00	
		White/Gold-Plated/White***	115.080.KK.1	212.00	
		White/Matte Chrome/ Matte Chrome***	115.080.KL.1	212.00	
		Black/Polished Chrome/Black***	115.080.KM.1	212.00	
		Matte Chrome/ Polished Chrome/Matte Chrome***	115.080.KN.1	260.00	
	Die Cast	Brushed Chrome	115.081.GH.1	758.00	
		Glass	White Glass/Aluminum	115.081.SI.1	758.00
		Black Glass/Aluminum	115.081.SJ.1	758.00	
		Umber Glass/Aluminum	115.081.SQ.1	758.00	
	Die Cast	Cover frame (when needed)			
		Brushed Chrome	115.086.GH.1	160.00	
		Polished Chrome	115.086.21.1	160.00	

* Finishes follow this pattern = Plate-Ring-Button
 ** Finishes follow this pattern = Frame-Button
 *** Finishes follow this pattern = Frame-Button Edge Trim-Button
 † Note: For tile, stone or other hard surfaced walls only!
 ‡ Not intended to be sold in California

Dual-Flush Buttons for Concealed Installations, Omega 2x6 Installation

Style	Material	Finish	Model No.	List Price
	Plastic	Alpine White	116.042.11.1	\$119.00
		Polished Chrome	116.042.21.1	154.00
	Plastic	Alpine White 	116.044.11.1	119.00
		Matte Chr-Polished Chr**	116.055.KH.1	170.00
	Plastic	Polished Chrome-White**	116.055.KJ.1	154.00
		Metal	Brushed Stainless Steel 	115.084.FW.1
	Glass	White Glass 	115.084.SI.1	664.00
		Black Glass 	115.084.SJ.1	664.00
		Umber Glass 	115.084.SQ.1	664.00
	Plastic	Polished Chrome-Matte Chrome**	115.932.KA.1	154.00
		Metal	Brushed Chrome	115.932.GH.1
	Plastic	Polished Chrome 	115.934.21.1	154.00

Dual-Flush Buttons for Furniture Installations, Omega 2x6 Installation

	Plastic	Alpine White	116.050.11.1	\$119.00
		Polished Chrome	116.050.21.1	154.00
		Matte Chrome	116.050.46.1	154.00
	Plastic	Matte Chr-Polished Chr**	116.057.KH.1	170.00
		Polished Chrome-White**	116.057.KJ.1	154.00


Single-Flush Buttons for Concealed Installations, Omega 2x6 Installation

	Plastic	Alpine White	116.040.11.1	\$101.00
		Polished Chrome	116.040.21.1	119.00


Cover Plates for Omega Concealed Tank Pre-wall, 2x6 Installation for use with Flush Buttons

	Glass	White	115.082.SI.1	\$164.00
	Metal	Customizable	115.082.00.1	205.00

Surface Even Cover Plates for Omega Concealed Tank, 2x6 Installation, for use with Flush Buttons

	Plastic	Customizable + rough-in kit†	115.087.00.1	\$205.00
		Customizable with frame + rough-in kit†	115.088.00.1	258.00

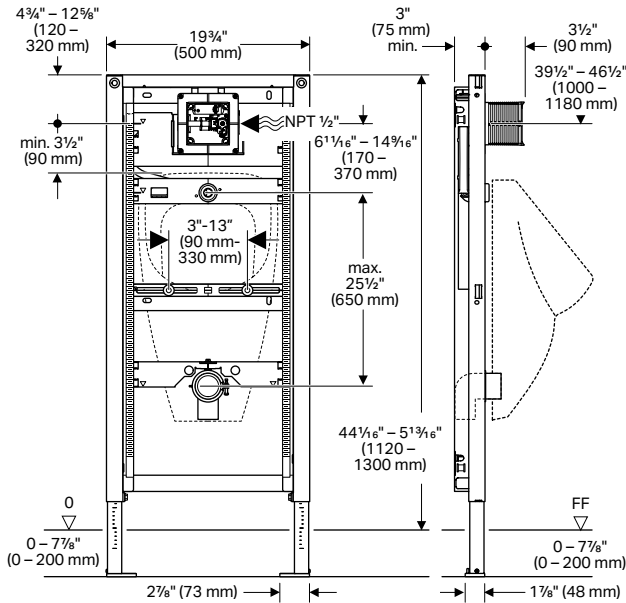
Note: Includes required accessory kit.

Products marked with  comply with the American Disabilities Act (ADA) when installed per the requirements of the latest ADA Accessibility Guidelines (ADAAG) and/or ICC/ANSI A117.1.

Systems for Wall-Hung Urinals

Geberit Duofix Carrier

Model No.	Description	List Price
111.625.00.1	Carrier frame with rough-in box	\$557.00

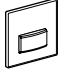
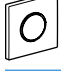



NOTES:


- Carrier for 2-hole "Euro" style wall-hung urinal fixtures only
- ASSE 1001 Certified Atmospheric Vacuum Breaker included.
- Refer to → geberit.us for latest list of code-approved compatible urinal fixtures


Note: For System Accessories see pages 16-18.

Actuators

Style	Material	Finish	Model No.	List Price
Type 50 	Die Cast	Customer supplied inlay	116.016.00.5	\$543.00
		Alpine White	116.016.11.5	543.00
		Black	116.016.DW.5	543.00
		Brushed Chrome	116.016.GH.5	751.00
	Glass	Umber	116.016.SQ.5	632.00
Type 10 	Metal	Br SS	116.015.SN.1	370.00
Type 30 	Plastic	Polished Chr-Matte Chr-Polished Chr****	116.017.KH.1	370.00
		White-Polished Chrome-White***	116.017.KJ.1	370.00

Hands-Free Actuators

Type 10 	Metal	Br SS (Battery/DC Power)	116.035.SN.1	\$858.00
		Br SS (AC Power – CLASS 2 power supply transformer included)	116.025.SN.1	858.00

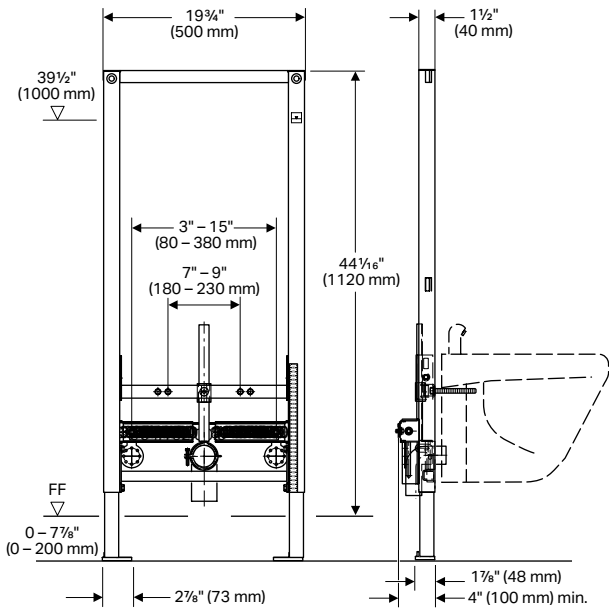
Products marked with  comply with the American Disabilities Act (ADA) when installed per the requirements of the latest ADA Accessibility Guidelines (ADAAG) and/or ICC/ANSI A117.1.

Geberit Installation Systems

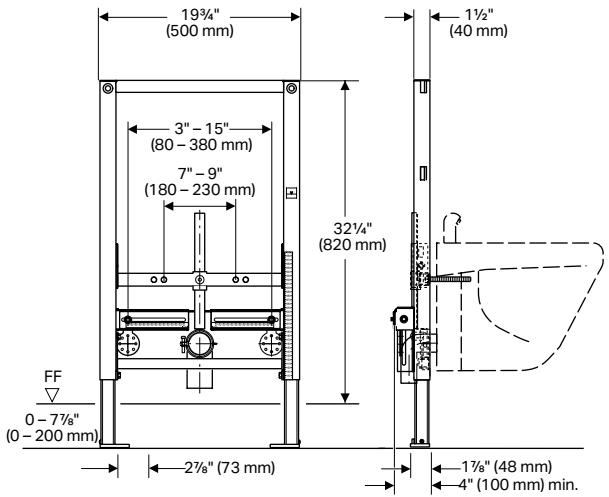
Systems for Wall-Hung Bidets

Geberit Duofix Carriers 

Model No.	Description	List Price
111.520.00.1	Carrier frame, standard height	\$557.00



111.524.00.1	Carrier frame, short height (matches 111.012.00.1)	\$557.00
--------------	--	----------



- NOTES:
1. Geberit Duofix Carrier for 2-hole wall-hung bidet fixtures only
 2. Refer to → geberit.us for latest list of code-approved compatible bidet fixtures

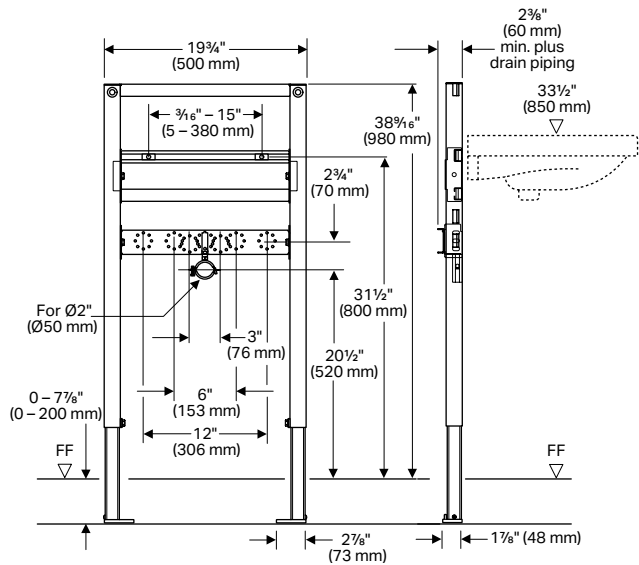
Note: For System Accessories see pages 16-18.

Geberit Installation Systems


System for Wall-Hung Lavatories

Geberit Duofix Carrier 

Model No.	Description	List Price
111.490.00.1	Carrier frame, short height (matches 111.012.00.1)	\$256.00



- NOTES:
1. Geberit Duofix Carrier for 2-hole wall-hung lavatory fixtures only
 2. Refer to → geberit.us for latest list of code-approved compatible lavatory fixtures

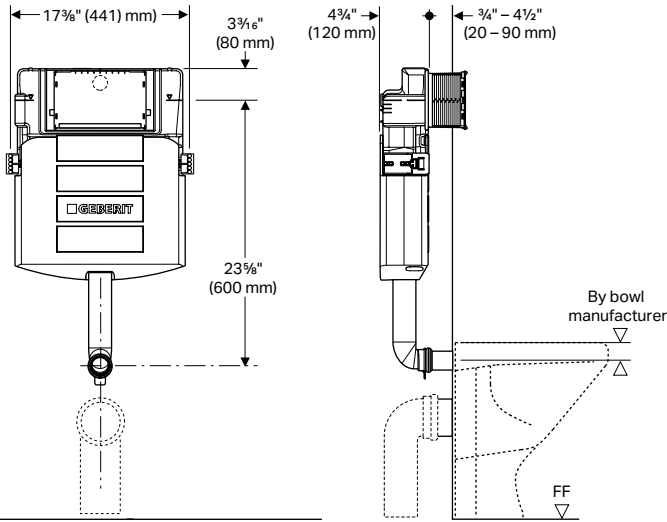
Products marked with  comply with the American Disabilities Act (ADA) when installed per the requirements of the latest ADA Accessibility Guidelines (ADAAG) and/or ICC/ANSI A117.1.



Systems for Floor-Mounted, Back Outlet Toilets, 2x6 Installation

Concealed Tank, Sigma 2x6 Installation

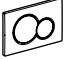
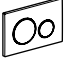
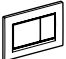
Model No.	Description	List Price
109.304.00.5	Sigma Concealed Tank 2x6 Installation	\$381.00



- NOTES:
1. Concealed tank shipped dual-flush ready
 2. Tank for floor-mounted, back outlet washdown style toilet fixtures only
 3. Refer to geberit.us for latest list of code approved compatible toilet fixtures, including certified WaterSense® combinations

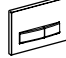
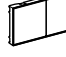
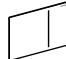
Note: For System Accessories see pages 16-18.

Dual-Flush Actuators, Sigma 2x6 Installation

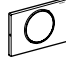
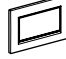
Style	Material	Finish	Model No.	List Price
	Plastic	Alpine White	115.770.11.5	\$89.00
		Polished Chrome	115.770.21.5	121.00
		Matte Chrome	115.770.46.5	121.00
	Metal	Br Ni-Polished Ni-Br Ni*	115.882.ID.1	251.00
		Br SS-Polished SS-Br SS*	115.882.SN.1	252.00
		Br Ni-Polished Ni-Br Ni* VR	115.889.ID.1	290.00
		Br SS-Polished SS-Br SS* VR	115.889.SN.1	290.00
		Plastic	Polished Chr-Matte Chr-Polished Chr*	115.882.KH.1
	Plastic	White-Polished Chrome-White*	115.882.KJ.1	129.00
		White-Polished Gold-White*	115.882.KK.1	595.00
		White-Matte Chr-Matte Chr*	115.882.KL.1	159.00
		Black-Polished Chrome-Black*	115.882.KM.1	159.00
		Matte Chr-Pol Chr-Matte Chr*	115.882.KN.1	187.00
		Polished Chr-Matte Chr-Polished Chr***	115.883.KH.1	210.00
		White-Polished Chrome-White***	115.883.KJ.1	131.00
White-Polished Gold-White***	115.883.KK.1	170.00		
White-Matte Chr-Matte Chr***	115.883.KL.1	170.00		
Black-Polished Chrome-Black***	115.883.KM.1	170.00		
Matte Chr-Polished Chr-Matte Chr***	115.883.KN.1	210.00		

* Finishes follow this pattern = Plate-Ring-Button
 ** Finishes follow this pattern = Frame-Button
 *** Finishes follow this pattern = Frame-Button Edge Trim-Button
 † Note: For tile, stone or other hard surfaced walls only!
 ‡ Not intended to be sold in California
 VR = Vandal Resistant
 Br SS = Brushed Stainless Steel
 Br Ni = Brushed Nickel

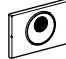




Dual-Flush Actuators, Sigma 2x6 Installation (continued)


Style	Material	Finish	Model No.	List Price	
	Die Cast	Customer supplied inlay	115.788.00.5	\$366.00	
		Alpine White	115.788.11.5	366.00	
		Polished Chrome	115.788.21.5	472.00	
		Black	115.788.DW.5	366.00	
		Brushed Chrome	115.788.GH.5	472.00	
		Smoke Glass	115.788.SD.5	472.00	
		Green Satin Glass	115.788.SE.5	472.00	
	Die Cast	Brushed chrome	115.640.GH.1	618.00	
		Glass	White Glass	115.640.SI.1	618.00
	Glass	Black Glass	115.640.SJ.1	618.00	
		Umber Glass	115.640.SQ.1	618.00	
		Rough-in set (REQUIRED accessory)	243.168.00.1	16.00	
		Cover frame (optional accessory) Polished Chrome	115.641.21.1	160.00	
		Cover frame (optional accessory) Brushed Chrome	115.641.GH.1	160.00	
		Die Cast	Customizable	115.620.00.1	523.00
			Metal	Br SS	115.620.FW.1
		Glass	White Glass	115.620.SI.1	612.00
Black Glass			115.620.SJ.1	612.00	
Umber Glass			115.620.SQ.1	612.00	

Single-Flush Actuators, Sigma 2x6 Installation













	Metal	Br SS	115.758.SN.5	\$252.00
		Br SS VR	115.787.SN.5	286.00
	Plastic	Pol Chr-Matte Chr-Pol Chr*	115.758.KH.5	187.00
		White-Polished Chrome-White*	115.758.KJ.5	130.00
		White-Polished Gold-White*	115.758.KK.5	371.00
		White-Matte Chr-Matte Chr*	115.758.KL.5	159.00
		Black-Polished Chrome-Black*	115.758.KM.5	159.00
Matte Chr-Polished Chr-Matte Chr*	115.758.KN.5	187.00		
	Die Cast	Polished Gold***	115.893.45.1	594.00
		White-Polished Chr-White***	115.893.KJ.1	246.00
		Br Chrome-Pol Chr-Br Chrome***	115.893.KX.1	361.00
		Pol Chr-Br Chrome-Pol Chr***	115.893.KY.1	361.00

Hands-Free Actuators and Transformer, Sigma 2x6 Installation



	Metal	Br SS (AC Power)	115.890.SN.5	\$858.00
		Single-Flush Br SS (Battery/DC Power)	115.891.SN.5	858.00
	Glass	Black (AC Power)	116.090.SG.1	1,448.00
		Dual-Flush Mirror (AC Power)	116.090.SM.1	1,448.00
		Connection cable (optional accessory) length 78-3/4" (2 m)	242.658.00.1	42.00
		Extension mains cable (optional accessory for Sigma10 and Sigma80) length 78-3/4" (2 m)	241.831.00.1	58.00
		Transformer for AC powered hands-free actuator. (For Sigma10 and Sigma80)	115.861.00.1	145.00

Products marked with  comply with the American Disabilities Act (ADA) when installed per the requirements of the latest ADA Accessibility Guidelines (ADAAG) and/or ICC/ANSI A117.1.


Dual-Flush Buttons for Concealed Installations, Sigma 2x6 Installation

Style	Material	Finish	Model No.	List Price	
Type 01 	Plastic	Alpine White	116.042.11.1	\$119.00	
		Polished Chrome	116.042.21.1	154.00	
		Alpine White 	116.044.11.1	119.00	
Type 10 	Plastic	Matte Chr-Polished Chr**	116.055.KH.1	170.00	
		Polished Chrome-White**	116.055.KJ.1	154.00	
Type 70 	Metal	Br SS 	115.630.FW.1	782.00	
		Glass	White Glass 	115.630.SI.1	664.00
			Black Glass 	115.630.SJ.1	664.00
			Umber Glass 	115.630.SQ.1	664.00
Rectangle 	Plastic	Polished Chrome-Matte Chrome**	115.932.KA.1	154.00	
		Metal	Brushed Chrome	115.932.GH.1	243.00
	Plastic	Polished Chrome 	115.934.21.1	154.00	

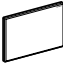
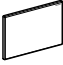
Dual-Flush Buttons for Furniture Installations, Sigma 2x6 Installation

Type 01 	Plastic	Alpine White	116.050.11.1	\$119.00
		Polished Chrome	116.050.21.1	154.00
		Matte Chrome	116.050.46.1	154.00
Type 10 	Plastic	Matte Chr-Polished Chr**	116.057.KH.1	170.00
		Polished Chrome-White**	116.057.KJ.1	154.00

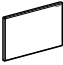
Single-Flush Buttons for Concealed Installations, Sigma 2x6 Installation

Type 01† 	Plastic	Alpine White	116.040.11.1	\$101.00
		Polished Chrome	116.040.21.1	119.00

Cover Plates for Sigma Concealed Tank, Sigma 2x6 Installation, for use with Flush Buttons

	Glass	White	115.766.SI.1	\$205.00	
		Metal	Br SS	115.764.FW.1	164.00
			Customizable	115.766.00.1	164.00
	Plastic	Alpine White	115.768.11.1	71.00	
		Polished chrome	115.768.21.1	94.00	
		Matte Chrome	115.768.46.1	94.00	




Surface Even Cover Plates for Sigma Concealed Tank, 2x6 Installation, for use with Flush Buttons


	Plastic	Customizable + rough-in kit	115.698.00.1†	\$205.00
		Customizable with frame + rough-in kit	115.699.00.1†	258.00

Note: Includes required accessory kit 243.168.00.1

Optional Accessories

Toilet and Seat

Description	Model No.	List Price
 Starck 3 elongated ceramic bowl, back outlet, washdown toilet	131.128.11.1	\$423.00
 Starck 3 elongated seat and lid	131.142.11.1	100.00
 Waste bend for rough-ins up to 12 inches. For use with bowl 131.128.11.1	131.127.29.1	44.00

Products marked with  comply with the American Disabilities Act (ADA) when installed per the requirements of the latest ADA Accessibility Guidelines (ADAAG) and/or ICC/ANSI A117.1.

System Accessories

Geberit Optional and Required Accessories for Installation



Description Model Number List Price 111.335 111.798 111.012 111.520 111.524 111.490 111.625 109.304

OPTIONAL Connection Sets and Accessories for Finished Walls up to 3.5" (9cm) Thick

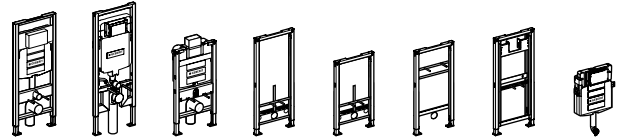
	Connector set with mounting hardware (bowl installation kit), HDPE; Alpine White cover caps	152.404.11.1	\$42.00	✓	✓	✓						
	PE syphon trap with horizontal outlet and seal; Ø1.96" (Ø50 mm) outlet	152.950.11.1	35.00								✓	
	PE syphon trap with vertical outlet and seal; Ø1.97" (Ø50 mm) outlet	152.951.11.1	35.00								✓	
	Acoustic insulation set for wall-hung toilets and bidets	156.050.00.1	18.00	✓	✓	✓	✓	✓				
	Cover caps with leveling washer, plastic, Alpine White	217.713.11.1	7.00	✓	✓	✓	✓	✓	✓			
	HDPE connection set with 1" (2.5 cm) offset and mounting hardware (bowl installation kit); with socket for Ø3.50" (Ø90 mm) push fit piping and Ø55 supply inlet; Matte Chrome cover caps	405.116.00.1	218.00	✓	✓	✓						✓

REQUIRED Connection Sets and Accessories for Finished Walls 3.5" - 7.0" (9-18cm) Thick

	HDPE Connector set for extended installation and mounting hardware (bowl installation kit), with socket for Ø3.50" (Ø90 mm) push fit piping and Ø2.16" (Ø55 mm) supply inlet; Matte Chrome cover caps	152.438.46.1	54.00	✓	✓	✓						✓
	Extension set for actuator plates for Sigma Concealed Tanks 2x6 and 2x4, Kappa and Omega Concealed Tanks	240.938.00.1	22.00	✓	✓	✓						✓
	Mud guard protection housing for Sigma Concealed Tanks 2x6 and 2x4, plastic, 4 inch (10 cm)	241.826.00.1	13.00	✓	✓							✓
	Mud guard protection housing and extension set for urinal carrier	241.930.00.1	19.00								✓	
	Mounting rod M12 x 10" long. Not supplied.	M12 x 10"	—	✓	✓	✓	✓	✓				
	Mounting rod M10 x 10" long. Not supplied.	M10 x 10"	—							✓		
	Mounting rod M8 x 10" long. Not supplied.	M8 x 10"	—								✓	

GEBERIT SYSTEM ACCESSORIES

Geberit Optional and Required Accessories for Installation



Description Model Number List Price **111.335 111.798 111.012 111.520 111.524 111.490 111.625 109.304**

OPTIONAL Installation Accessories for Bidet Seats

	Water supply hose for bidet seat for Kappa and Omega Concealed Tank pre-wall. For adding bidet seat to an installed carrier. For complete installation, must order with 249.801.00.1.	240.839.00.1	\$57.00			✓						
	Water supply hose for bidet seat for 111.798.00.1 carrier with Sigma Concealed Tank 2x4. For adding bidet seat to an installed carrier. For complete installation, must order with 249.801.00.1.	243.173.00.1	46.00		✓							
	HDPE connection set with 1" (2.5 cm) offset and mounting hardware (bowl installation kit); with socket for Ø3.50" (Ø90 mm) push fit piping and Ø55 supply inlet; Matte Chrome cover caps	249.801.00.1	111.00	✓	✓	✓						✓

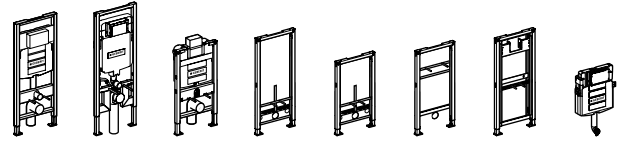
OPTIONAL Installation Accessories for Geberit Duofix Carrier Frames

	Frame to wall anchoring for 5.125"-7.875" (13-20 cm) thick unfinished pre-wall	111.013.00.1	22.00		✓							
	Frame to wall anchoring for 5.125"-7.875" (13-20 cm) thick unfinished pre-wall	111.815.00.1	34.00	✓		✓	✓	✓	✓	✓	✓	
	Frame to wall anchoring for 5.125"-7.875" (13-20 cm) thick unfinished pre-wall corner installations	111.835.00.1	34.00	✓	✓	✓	✓	✓	✓	✓	✓	
	Support brackets for wall-hung toilets with small contact surface (thin profiles)	111.847.00.1	44.00	✓		✓						
	Fire protection set for Sigma Concealed Tank 90 min. fire resistance to DIN EN 1364-1:1999-10	111.863.00.1	490.00	✓								
	Frame to wall anchoring where foot installations into floor are not allowed for 5.125"-7.875" (13-20 cm)	111.867.00.1	65.00	✓	✓	✓	✓	✓	✓	✓	✓	
	Fastening set for sinks with 14.9"-22.8" (38-58 cm) mounting centers	111.868.00.1	111.00							✓		
	Frame to stud fastening set for extended stud spacing from 19.75"-25.56" (50-65 cm)	111.869.00.1	34.00	✓	✓	✓	✓	✓	✓	✓	✓	
	Frame to wall anchoring extensions for 7.875"-15.75" (20-40 cm) thick (unfinished pre-wall)	111.887.00.1	14.00	✓	✓	✓	✓	✓	✓	✓	✓	
	Crossbar for inlet 1/2" thread	242.042.00.1	69.00								✓	
	Elbow supply fitting set, Gun Metal	465.034.00.1	37.00				✓	✓	✓			

GEBERIT SYSTEM ACCESSORIES

System Accessories

Geberit Optional and Required Accessories for Installation



Description Model Number List Price **111.335 111.798 111.012 111.520 111.524 111.490 111.625 109.304**

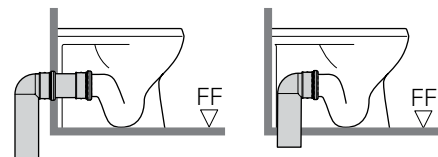
OPTIONAL Installation Waste Fitting Accessories

	PP connector set with bend for floor-mount toilets with mounting hardware, 1 x 90° bends with socket for Ø4.375" (Ø110 mm) push fit piping for Ø3.82"-4.21" (Ø97-107 mm) male connection and expansion to Ø4.375" (Ø110 mm) outlet	152.647.00.1	\$111.00															✓ (For A or B discharge. See below)
	HDPE waste fitting outlet bend, 1 x 90° bend with socket for Ø3.50" (Ø90 mm) push fit piping and Ø3.50" (Ø90 mm) outlet	366.061.16.1	22.00															✓ (For A discharge. See below)
	HDPE straight connector with socket for Ø3.50" (Ø90 mm) push fit piping and Ø3.50" (Ø90 mm) outlet x 12" (31 cm) long	366.887.16.1	34.00	✓	✓	✓												✓ (For A discharge. See below)
	HDPE connector with offset for LH horizontal drain connections (as viewed from sitting position), 1 x 90° bend with socket for Ø3.50" (Ø90 mm) push fit piping, with 45° offset and Ø3.50" (Ø90 mm) outlet for 5.5" (13.97 cm) minimum walls only.	366.913.16.1	71.00	✓	✓	✓												✓ (For A discharge. See below)
	HDPE connector with offset for RH horizontal drain connections (as viewed from sitting position), 1 x 90° bend with socket for Ø3.50" (Ø90 mm) push fit piping, with 45° offset and Ø3.50" (Ø90 mm) outlet for 5.5" (13.97 cm) minimum walls only.	366.914.16.1	71.00	✓	✓	✓												✓ (For A discharge. See below)
	Cast iron outlet bend; 1 x 90° bend with socket for Ø3.50" (Ø90 mm) push fit piping and 3" CIP outlet	367.071.18.1	147.00	✓	✓	✓												✓ (For A discharge. See below)
	HDPE "Back-to-back" connector for horizontal drain connections; 2 x 90° bends with sockets for Ø3.50" (Ø90 mm) push fit piping, with 45° offset and expansion to Ø4.375" (Ø110 mm) outlet for 10.75" (27.31 cm) minimum walls only.	367.485.16.1	147.00	✓	✓	✓												✓ (For A or B discharge. See below)
	HDPE "Back-to-back" connector for vertical drain connections; 2 x 90° bends with sockets for Ø3.50" (Ø90 mm) push fit piping and expansion to Ø4.375" (Ø110 mm) outlet for 10.75" (27.31 cm) minimum walls only.	367.923.16.1	147.00	✓	✓	✓												✓ (For A or B discharge. See below)

Note: Any of these fittings in combination with carrier 111.798.00.1 are cUPC and IPC listed.

Waste Fitting Discharge Configurations for Floor Mount Back Outlet Toilets

Note: Mounting collar/clamp by installer



A. Floor-Mount Rear Discharge into Wall

B. Floor-Mount Rear Discharge into Floor





Geberit Monolith



GEBERIT MONOLITH

System for Floor-Mount Toilets

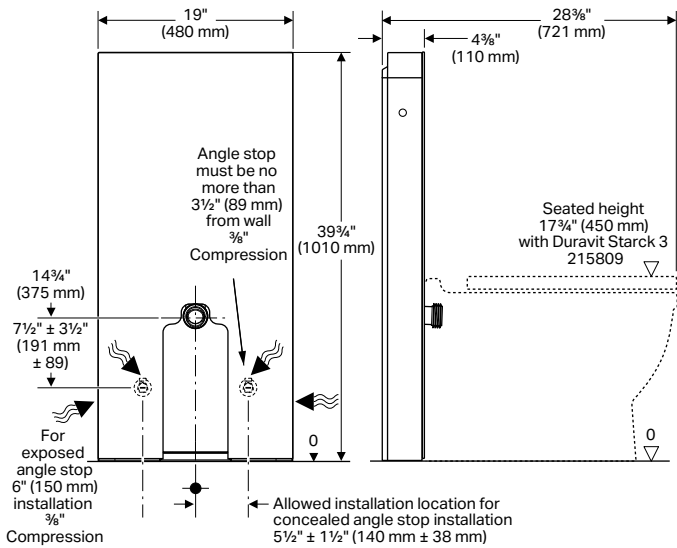
Geberit Monolith for Floor-Mount Toilet

Model Number	Description	List Price
131.144.SF.1	Geberit Monolith for floor-mounted toilets, White Glass with Duravit Starck 3 WC and Seat/Lid	\$867.00
131.144.SG.1	Geberit Monolith for floor-mounted toilets, Black Glass with Duravit Starck 3 WC and Seat/Lid	867.00

Consists of:

- (1) Geberit Monolith 131.126.xx.1 (SF=white; SG=black)
- (1) Geberit Toilet Outlet 131.127.29.1
- (1) Duravit Starck 3 Floor Mounted Elongated Toilet, White 131.128.11.1 (Duravit 215802)*
- (1) Seat and Lid for Duravit Starck 3 131.142.11.1 (Duravit 006332)

* Available only through Geberit



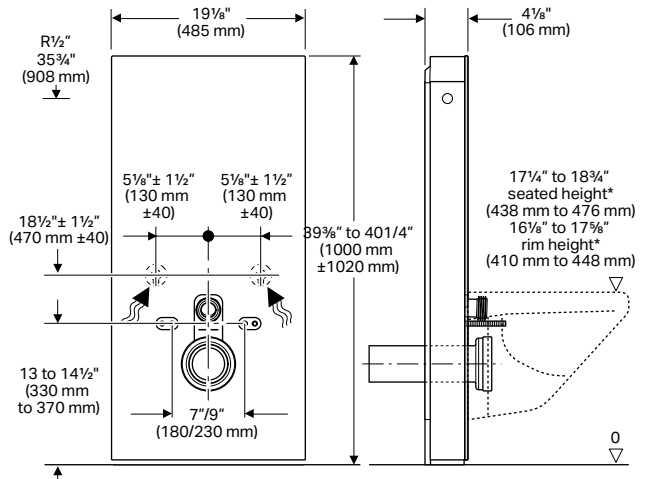
System for Wall-Hung Toilets

Geberit Monolith Module 2.0

Model No.	Description	List Price
131.028.SI.5	Geberit Monolith for wall-hung toilets, White Glass	\$1,340.00
131.028.SJ.5	Geberit Monolith for wall-hung toilets, Black Glass	1,340.00
131.028.SQ.5	Geberit Monolith for wall-hung toilets, Umber Glass	1,340.00
131.028.TG.5	Geberit Monolith for wall-hung toilets, Sand Glass	1,340.00

Notes:

1. Concealed tank shipped dual-flush ready
2. Geberit Monolith for 2-hole washdown style wall-hung toilet fixtures only
3. Refer to → geberit.us for latest list of code approved compatible toilet fixtures, including certified WaterSense® combinations



Geberit Bath Waste & Overflow Systems



Trim Finishes and Rough-In Unit Materials

It's Geberit It's Cable-Operated

Unlike other styles of bath drains, the Geberit Bath Waste & Overflow (BWO) critical working parts are outside the waterway to prevent clogging. The high quality cable is crafted from Teflon® coated stainless steel and has a plastic sleeve to deliver years of trouble-free service.

Styles to Meet Your Needs

PushControl BWO

The Geberit PushControl BWO offers a thin, elegant look.



Traditional TurnControl BWO

The Geberit "original" was first-to-market over 25 years ago.



Cascading Tub Filler BWO

An integrated system that combines the functionality of filling and draining into one component.



Selecting a trim finish

The distinctive contoured handles are offered in a wide variety of finishes to match almost any décor. ForeverShine™ finishes have been developed to ensure that the quality and look of the product on which it is applied will last a lifetime. Clean up is simple and requires no abrasive cleansers or chemicals so maintaining the original factory finish is easy.

We are so confident of this finish process that we provide a limited lifetime warranty on ForeverShine™ products installed in residential applications.

Finish	Metal	Plastic
Alpine White (11)		■
Polished Chrome (21)	■	■
Bone (AA)		■
White (DY)		■
Biscuit (FF)		■
Antique Brass (97)	■	
Old Silver Pewter (98)	■	
Satin Brass (CH) *	■	
Black (EK) *	■	
Satin Chrome (FT) *	■	
ForeverShine™ PVD Brass (GG) *	■	■
ForeverShine™ PVD Pearl Nickel (HD)	■	
ForeverShine™ PVD Satin Sheen (HI)	■	
ForeverShine™ PVD Platinum (HJ)	■	
Hard Coat Oil Rubbed Bronze (HM)	■	
ForeverShine™ PVD Polished Nickel (IB)	■	
ForeverShine™ PVD Brushed Nickel (ID)	■	

* Finish available only from participating tub manufacturers.

Material Selection

Tubular Plastic

Plastic (polypropylene) is used chiefly for molded parts, electrical insulation, packaging.

Tubular Brass

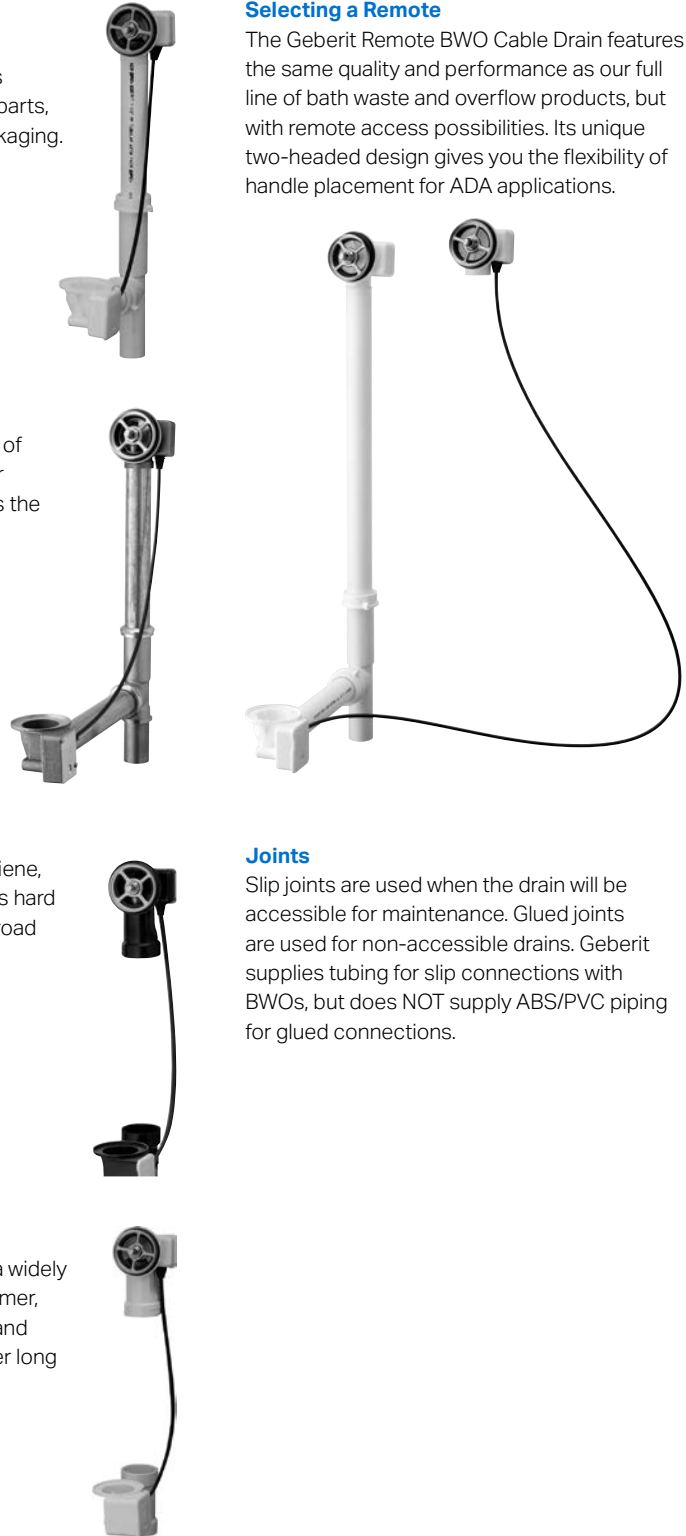
Brass is a yellowish alloy of copper and zinc used for enhancing items such as the Geberit BWO.

ABS

ABS (Acrylonitrile, Butadiene, Styrene) is a plastic that's hard and durable through a broad range of temperatures.

PVC

PVC, polyvinyl chloride, a widely used thermoplastic polymer, is tough, dent-resistant and maintains properties over long periods of time.



Selecting a Remote

The Geberit Remote BWO Cable Drain features the same quality and performance as our full line of bath waste and overflow products, but with remote access possibilities. Its unique two-headed design gives you the flexibility of handle placement for ADA applications.

Joints

Slip joints are used when the drain will be accessible for maintenance. Glued joints are used for non-accessible drains. Geberit supplies tubing for slip connections with BWOs, but does NOT supply ABS/PVC piping for glued connections.

Selecting the Right Size Bath Waste & Overflow

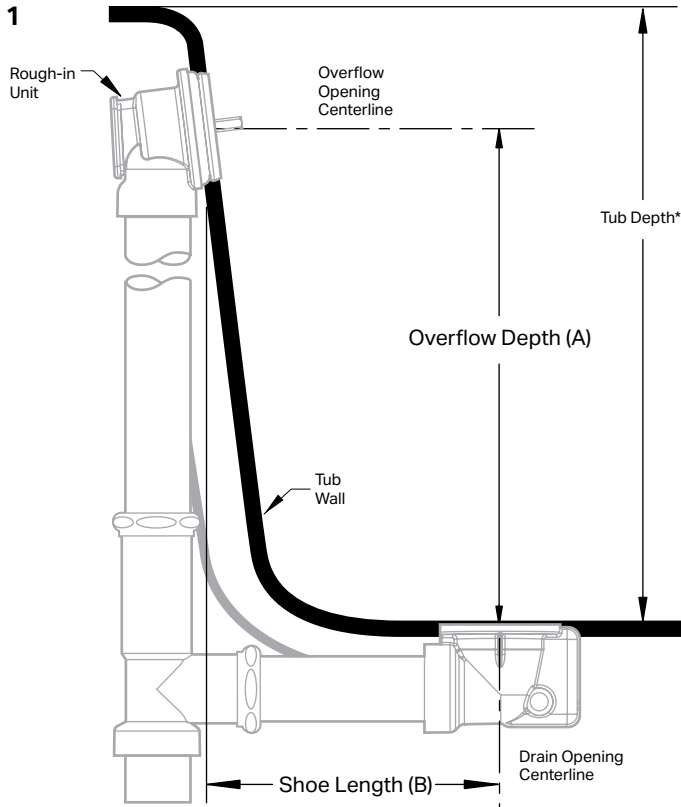
For convenience, use this page when sizing your cable length.

Sizing a Geberit cable drain is simple. Start with acquiring the **Tub Depth** (see **Figure 1**), which serves as a rough guide for your final selection. While the actual definition of "tub depth" varies by manufacturer and model, the measurement is used to get a rough idea of the cable length you will need. Use the **Standard Rough-In Unit Cable Lengths** chart (below, right) to determine cable length based on your tub depth.

To assure your rough calculations are correct and your BWO will function properly, however, please follow these steps (refer to **Figure 1**).

1. Determine the **Overflow Depth (A)** which is the distance from the overflow center to drain mounting surface.
2. Determine the **Drain Shoe Length (B)** which is the distance from the drain centerline to the overflow mounting surface.
3. Choose **material** and joint **connection type**. Because material selection and joint preparations selection are covered by local codes, be sure a professional contractor is involved. Geberit offers a complete spectrum of BWO materials to assure code compliance (see page 25). The materials offered are Tubular Polypropylene, Tubular Brass, ABS and PVC.
4. To determine the **final size** of your BWO for **Tubular Slip-Joint** Plastic/Brass cable drain, use **Figure 2** on page 27. To determine the final size of your BWO for **glued ABS/PVC** cable drain, use **Figure 3** on page 27.
5. Your information can now be used to find the **part number** on each type of Geberit BWO.

Figure 1



Standard Rough-In Unit Cable Lengths

Key	Typical Tub Depth*	Cable Length
■	12"-16" (301-402)	17" (432)
■	17"-24" (427-602)	27" (678)
■	17"-24" (427-602)	33" (828)
■	25"-29" (628-728)	43" (1,079)
■	30" (753)	59" (1,481)

*Varies by manufacturer and model number.
Non-standard sizes, please refer to → [geberit.us](https://www.geberit.us)

Once you have determined the size and part number, you can also give this information to your sales outlet so they can verify you have the right Geberit model for your needs.

Figure 2
Standard Tubular Slip Joint
Rough-In Unit Cable Length
Configuration Guide

Use this chart to figure cable length needed for Plastic/Brass standard Tubular installations.

Example:

- Ⓐ Overflow Depth = 14"
- Ⓑ Drain Shoe Length = 7.5"

Requires a Rough-In Unit with a cable length of 27".

Custom installations can be achieved using standard Tubular Rough-In Units provided cable length is within acceptable range illustrated by shaded areas in guide.

Geberit recommends you review any custom installations with your sales outlet to assure you have the right model for your needs.

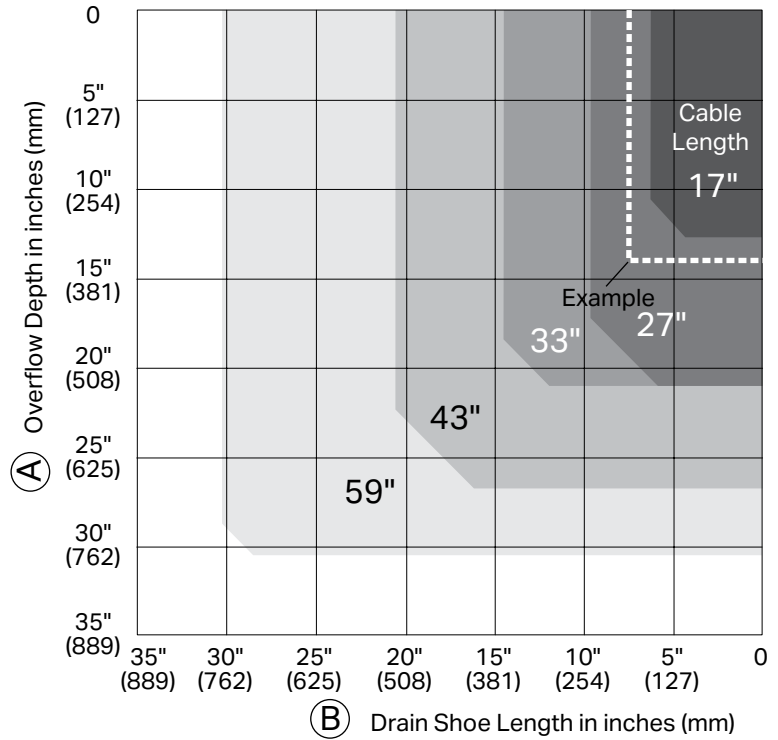
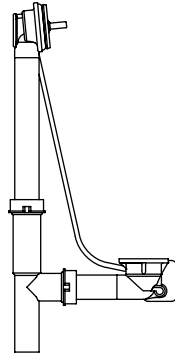


Figure 3
ABS/PVC Glued Rough-In Unit
Cable Length Configuration Guide*

Use this chart to figure cable length needed for ABS/PVC glued custom installations.

Shaded areas indicate acceptable range of measurements for each cable length.

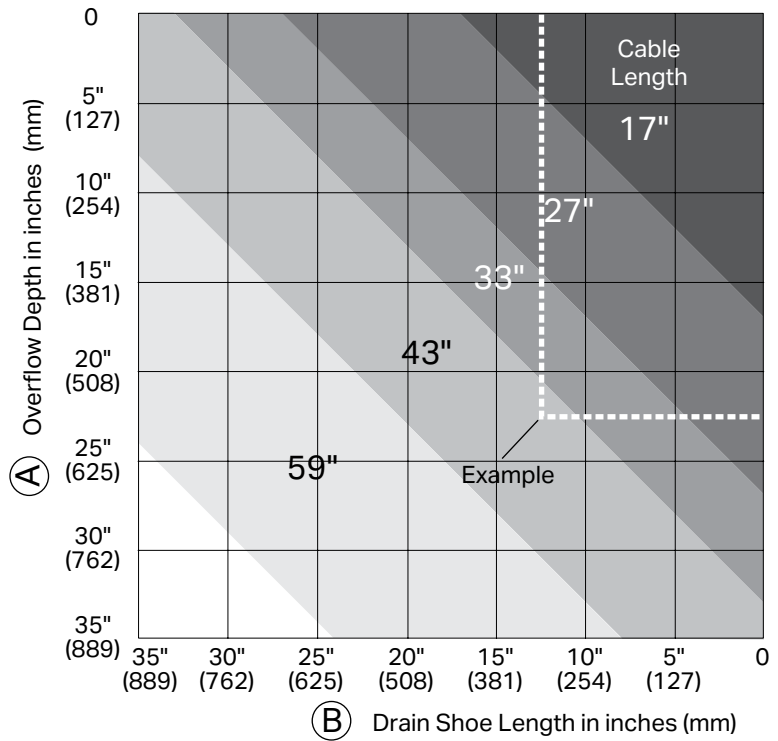
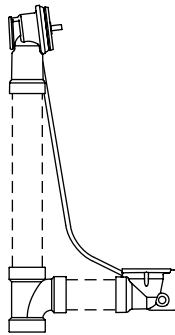
Example:

- Ⓐ Overflow Depth = 22.5"
- Ⓑ Drain Shoe Length = 12.5"

Requires a Rough-In Unit with a cable length of 43".

Geberit recommends you review any custom installations with your sales outlet to assure you have the right model for your needs.

* ABS/PVC pipes not supplied



TurnControl BWO Systems

TurnControl Rough-In Unit

Does not include Trim Kit (see page 29) (Fits Tub Wall Thickness 1/16"–5/16") (Figs. A & B)

Description	Model No.	Tub Depth*	Cable Length	Overflow Depth	Drain Shoe Length	List Each
Tubular Plastic Rough-In (Fig. A)	151.501.00.1	12"-16"	17"	Use Figure 2 on page 27		\$71.00
1½" Tubular plastic slip joint with PVC Tee connection	151.504.00.1	17"-24"	27"			76.00
	151.508.00.1	17"-24"	33"			83.00
	151.512.00.1	25"-29"	43"			98.00
	151.515.00.1	30"	59"			112.00
Tubular Brass Rough-In (Fig. A)	151.460.00.1	17"-24"	27"			355.00
1½" Tubular Brass slip joint with Brass Tee connection						
Tubular Brass Rough-In (Fig. A)	151.450.00.1	17"-24"	27"			355.00
Brass Chicago Code Tee						
ABS Rough-In (Fig. B)	151.502.00.1	12"-16"	17"	Use Figure 3 on page 27		71.00
1½" ABS Sch 40 for glued joint	151.505.00.1	17"-24"	27"			76.00
(Pipes not supplied)	151.510.00.1	17"-24"	33"			83.00
	151.513.00.1	25"-29"	43"			98.00
	151.516.00.1	30"	59"			112.00
PVC Rough-In (Fig. B)	151.503.00.1	12"-16"	17"			71.00
1½" PVC Sch 40 for glued joint.	151.506.00.1	17"-24"	27"			76.00
(Pipes not supplied)	151.511.00.1	17"-24"	33"			83.00
	151.514.00.1	25"-29"	43"			98.00
	151.517.00.1	30"	59"			112.00

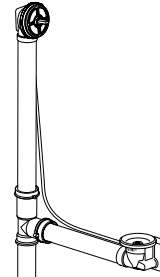


Fig. A
Tubular
Rough-In Unit

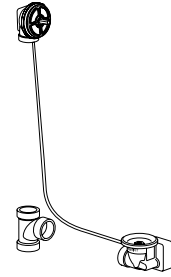


Fig. B
ABS/PVC
Rough-In Unit

TurnControl Remote Control Rough-In Unit

Does not include Trim Kit (see page 29) (Figs. C & D)

Description	Model No.	Tub Depth*	Cable Length	Overflow Depth	Drain Shoe Length	List Price
Tubular Plastic Rough-In (Fig. C)	151.518.00.1	17"-24"	59"	—	—	\$174.00
ABS Rough-In (Fig. D)	151.519.00.1	17"-24"	59"	—	—	174.00
PVC Rough-In (Fig. D)	151.520.00.1	17"-24"	59"	—	—	174.00

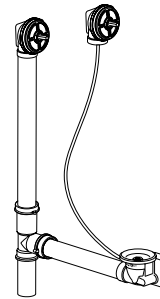


Fig. C
Tubular Remote Control
Rough-In Unit

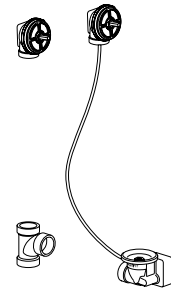


Fig. D
ABS/PVC Remote Control
Rough-In Unit

TurnControl Rough-In Unit (Non-Standard)

Does not include Trim Kit (see page 29) (Fits Tub Wall Thickness 1/16"–5/16") (Fig. A)

Description	Model No.	Tub Depth*	Cable Length	Overflow Depth	Drain Shoe Length	List Price
Tubular Plastic Rough-In (Fig. A)	150.183.00.1	17"-24"	33"	30.50"	20.50"	\$111.00
(Non-Standard)	150.184.00.1	25"-29"	43"	30.50"	30.00"	123.00



Fully detailed information can be found at → geberit.us

* Tub Depth is only a rough calculation. To ensure proper cable length, refer to information on pages 26 and 27.

TurnControl Complete Unit

Includes Trim Kit and Tubular Plastic Rough-In Unit (Fits Tub Wall Thickness 1/16"–5/16") (Figs. E & F)

Material	Finish	Tub Depth*	Cable Length	Overflow Depth	Drain Shoe Length	Traditional Model No. (Fig. E)	List Each
Metal	ForeverShine™ PVD Brushed Nickel	17"-24"	27"	Use Figure 2 on Page 27		150.176.ID.1	\$237.00
Plastic	Polished Chrome	17"-24"	27"			150.156.21.1	139.00
	White	17"-24"	27"			150.156.DY.1	144.00
	Biscuit	17"-24"	27"			150.156.FF.1	144.00

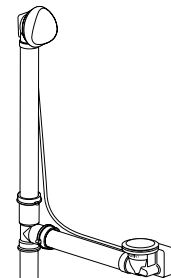
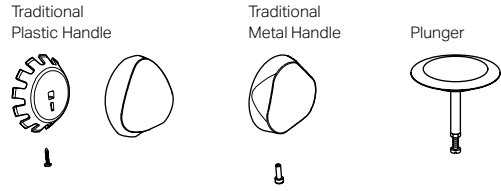


Fig. E
Traditional TurnControl
Tubular Rough-In
Complete Unit

TurnControl Trim Kit – Includes Handle and Plunger

		Model No.	
		Traditional	List Price
Metal	Polished Chrome	151.551.21.1	\$98.00
	Hard Coat Oil Rubbed Bronze	151.551.HM.1	155.00
	ForeverShine™ PVD Polished Nickel	151.551.IB.1	150.00
	ForeverShine™ PVD Brushed Nickel	151.551.ID.1	150.00
	Antique Brass	151.551.97.1	141.00
	Old Silver Pewter	151.551.98.1	141.00
	Satin Brass	151.551.CH.1*	—
	Black	151.551.EK.1*	—
	Satin Chrome	151.551.FT.1*	—
	ForeverShine™ PVD Brass	151.551.GG.1*	—
	ForeverShine™ PVD Pearl Nickel	151.551.HD.1	161.00
	ForeverShine™ PVD Satin Sheen	151.551.HI.1	141.00
	ForeverShine™ PVD Platinum	151.551.HJ.1	161.00
Plastic	Alpine White	151.550.11.1	60.00
	Polished Chrome	151.550.21.1	60.00
	Bone	151.550.AA.1	66.00
	White	151.550.DY.1	66.00
	Biscuit	151.550.FF.1	66.00
	ForeverShine™ PVD Brass	151.550.GG.1*	—











*Finish available only from participating tub manufacturers.

TurnControl, Remote Control Trim Kit

Note: if ordering a TurnControl Remote Control Rough-in Unit (page 28), you must order two TurnControl Trim Kits in the desired finish to complete the installation.

TurnControl Accessories

Description	Model No.	List Price	
 ADA Handle Extension, Polished Chrome. For Metal Handles Only	241.789.21.1	\$28.00	
 Test Plug Kit	240.691.00.1	28.00	
 Extended Tub Wall Thickness Kit 3/8"–1/2", Tubular Plastic/Brass Rough-In	241.769.00.1	43.00	
 Extended Tub Wall Thickness Kit 3/8"–1/2", ABS/PVC Rough-In	241.771.00.1	43.00	
 Extended Tub Wall Thickness Kit 3/8"–1/2", Tub Filler	241.772.00.1	43.00	
 Extended Tub Wall Thickness Kit 9/16"–3/4", Tubular/Brass Rough-In	241.773.00.1	43.00	
 Extended Tub Wall Thickness Kit 9/16"–3/4", ABS/PVC Rough-In	241.774.00.1	43.00	
 Extended Tub Wall Thickness Kit 9/16"–3/4", Tub Filler	241.775.00.1	43.00	

PushControl BWO Systems

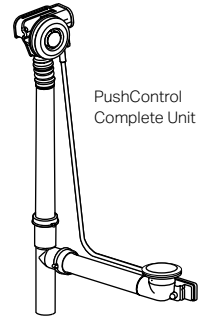
PushControl Complete Unit

Includes Trim Kit, Tubular Plastic Rough-In Unit and Installation Tools (Fits Tub Wall Thickness 1/16"–1/2")



Material	Finish	Model No.	Tub Depth*	Cable Length	Overflow Depth	Drain Shoe Length	List Each
Metal	Polished Chrome	151.603.21.1	17"–24"	27"	Use Figure 2 on page 27		\$229.00
		151.605.21.1	17"–24"	33"			247.00
	ForeverShine™	151.603.ID.1	17"–24"	27"			287.00
	PVD Brushed Nickel	151.605.ID.1	17"–24"	33"			302.00
Plastic	Polished Chrome	151.602.21.1	17"–24"	27"			174.00
		151.604.21.1	17"–24"	33"			189.00

* Tub Depth is only a rough calculation. To ensure proper cable length, refer to information on pages 26 and 27.

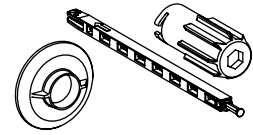


PushControl Complete Unit

PushControl Accessories

Description	Model No.	List Price
PushControl Toolkit (Included with purchase of each PushControl Complete Unit)	241.729.00.1	\$35.00

Note: ForeverShine™ finishes ensure the quality and look of your Geberit BWO will last a lifetime. Geberit offers a limited lifetime warranty on ForeverShine™ products installed in residential applications.



PushControl Toolkit

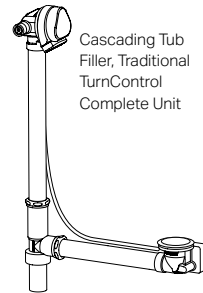
TurnControl BWO Systems with Cascading Tub Filler

Cascading Tub Filler, Complete Unit

Includes Trim Kit, Tubular Plastic Rough-In Unit and Installation Tools (Fits Tub Wall Thickness 1/16"–1/2")

Material	Finish	Model No.	Tub Depth*	Cable Length	Overflow Depth	Drain Shoe Length	Tub Wall Thickness	List Each
Metal	Polished Chrome	151.466.21.1	17"–24"	27"	Use Figure 2 on page 27		1/16"–5/16"	\$ 899.00
		151.467.21.1	17"–24"	27"			3/8"–1/2"	899.00
		151.468.21.1	17"–24"	27"			9/16"–3/4"	899.00

* Tub Depth is only a rough calculation. To ensure proper cable length, refer to information on pages 26 and 27.



Cascading Tub Filler, Traditional TurnControl Complete Unit

Cascading Tub Filler, TurnControl ADA Handle Extension

Includes Trim Kit, Tubular Brass Rough-In Unit and Vacuum Breaker

Description	Model No.	List Price
ADA Handle Extension, Polished Chrome	241.789.21.1	\$28.00

Note: ForeverShine™ finishes ensure the quality and look of your Geberit BWO will last a lifetime. Geberit offers a limited lifetime warranty on ForeverShine™ products installed in residential applications.



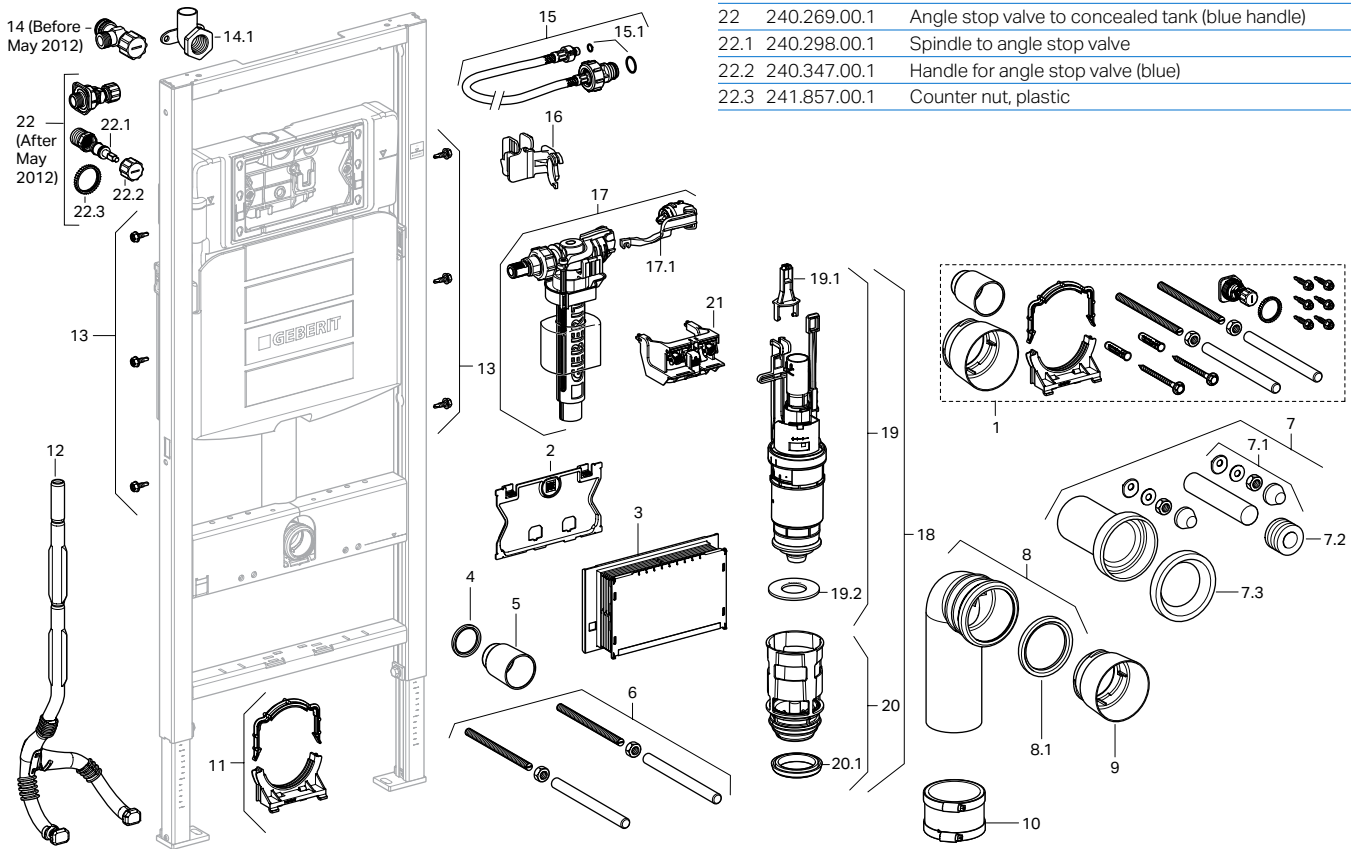
ADA Handle Extension

Replacement Parts

Geberit Duofix Carrier 111.335.00.5, Sigma 2x6 Installation

Item	Model No.	Description	List Price
1	242.314.00.1	Materials for Concealed Carrier and Tank installation	\$40.00
2	242.315.00.1	Splash guard protection cover for Sigma Concealed Tank	6.00
3	243.345.00.1 or 243.168.00.1	Mud guard protection housing for Sigma Concealed Tanks 2x6 and 2x4, plastic	16.00
4	362.771.00.1	Seal for concealed flush pipe, EPDM	2.00
5	362.796.92.1	Protection plug, plastic	5.00
6	240.189.00.1	Threaded rod for wall-mounted toilet or bidet installation	4.00
7	152.404.46.1	Connector set with mounting hardware (bowl installation kit), HDPE; Matte Chrome cover caps	42.00
7.1	217.713.46.1	Cover caps with leveling washer, plastic, Matte Chrome	7.00
7.2	119.668.00.1	Seal for supply inlet tube, EPDM	2.00
7.3	152.424.00.1	Seal for toilet outlet connector, EPDM	3.00
8	366.061.16.1	HDPE waste fitting outlet bend, 1 x 90° bend with socket for Ø3.50" (Ø90 mm) push fit piping and Ø3.50" (Ø90 mm) outlet	22.00
8.1	387.282.00.1	Seal for outlet bends, EPDM	5.00
9	366.820.92.1	Protection plug, plastic	4.00

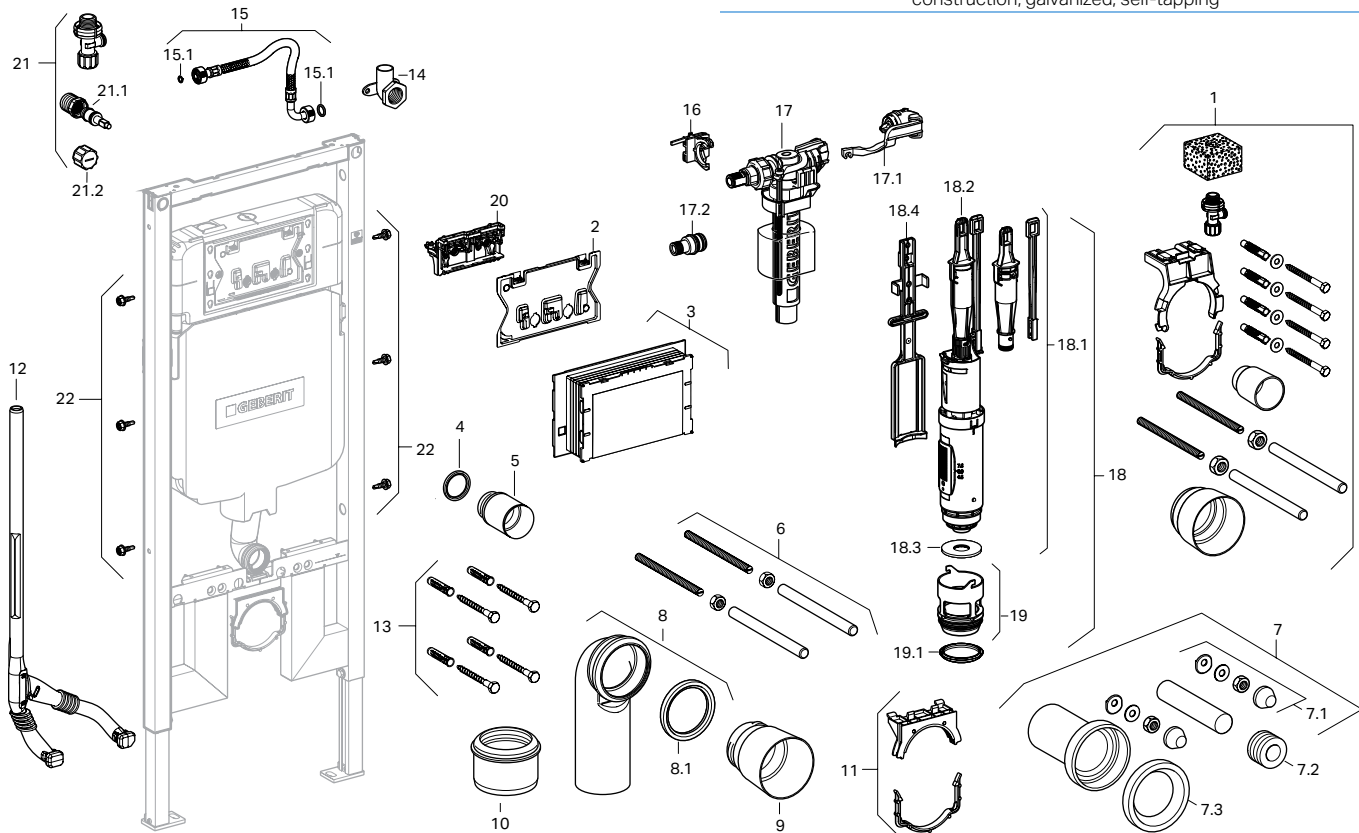
Item	Model No.	Description	List Price
10	—	Flexible coupling FERNCO 3005-33	—
11	242.012.00.1	Outlet pipe bracket (complete)	\$4.00
12	242.886.00.1	Conduit pipe for shower toilet water supply with Sigma Concealed Tank 2x6, Omega Concealed Tank or Kappa Concealed Tank (from 2013 on)	10.00
13	111.892.00.1	Frame mounting screws for steel stud construction, galvanized, self-tapping	6.00
14	240.853.00.1	Supply angle stop (black handle)	14.00
14.1	240.851.00.1	Drop ear elbow, copper	11.00
15	240.921.00.1	Connection hose for Sigma Concealed Tank, 3/8"	14.00
15.1	240.922.00.1	Seal kit for braided hose, EPDM O-ring	9.00
16	240.923.00.1	Fixation clip for filling valve	6.00
17	241.469.00.1	Filling valve Type 380 for Sigma, Omega and Kappa Concealed Tanks	26.00
17.1	240.771.00.1	Seal kit for filling valve Type 380	11.00
18	241.858.00.1	Dual-flush valve complete with valve seat basket	21.00
19	240.622.00.1	Dual-flush valve for Sigma Concealed Tank	14.00
19.1	241.167.00.1	Yoke set for flush valves	9.00
19.2	816.418.00.1	Flat gasket for flush valve	2.00
20	241.859.00.1	Valve seat basket and noise bushing for flush valve	10.00
20.1	241.868.00.1	U-cup seal for valve basket	2.00
21	241.829.00.1	Flush actuator gear box	6.00
22	240.269.00.1	Angle stop valve to concealed tank (blue handle)	17.00
22.1	240.298.00.1	Spindle to angle stop valve	13.00
22.2	240.347.00.1	Handle for angle stop valve (blue)	4.00
22.3	241.857.00.1	Counter nut, plastic	4.00



Geberit Duofix Carrier 111.798.00.1, Sigma 2x4 Installation

Item	Model No.	Description	List Price
1	242.314.00.1	Materials for Concealed Carrier and Tank installation	\$40.00
2	242.418.00.1	Splash guard protection cover for Sigma Concealed Tank 2x4	6.00
3	243.345.00.1 or 243.168.00.1	Mud guard protection housing for Sigma Concealed Tank 2x4, plastic	16.00
4	362.771.00.1	Seal for concealed flush pipe, EPDM	2.00
5	362.796.92.1	Protection plug, plastic	5.00
6	240.189.00.1	Threaded rod for wall-mounted toilet or bidet installation	4.00
7	152.404.46.1	Connector set with mounting hardware (bowl installation kit), HDPE; Matte Chrome cover caps	42.00
7.1	217.713.46.1	Cover caps with leveling washer, plastic, Matte Chrome	7.00
7.2	119.668.00.1	Seal for supply inlet tube, EPDM	2.00
7.3	152.424.00.1	Seal for toilet outlet connector, EPDM	3.00
8	241.899.00.1	HDPE waste fitting outlet bend, 1 x 90° bend with socket for Ø3.50" (Ø90 mm) push fit piping and Ø3.50" (Ø90 mm) outlet	51.00
8.1	387.282.00.1	Seal for outlet bends, EPDM	5.00
9	366.820.92.1	Protection plug, plastic	4.00
10	—	Flexible coupling FERNCO 3005-33	—
11	242.012.00.1	Outlet pipe bracket (complete)	4.00
12	242.888.00.1	Conduit pipe for shower toilet water supply with Sigma Concealed Tank 2x4 (from mid-2013 on)	10.00
13	216.179.00.1	Installation hardware	3.00
14	240.851.00.1	Drop ear elbow, copper	11.00

Item	Model No.	Description	List Price
15	242.415.00.1	Connection hose for Sigma Concealed Tank 2x4, 3/8"	\$16.00
15	243.357.00.1	Connection hose for Sigma Concealed Tank 2x4, 3/8" - for salt water applications	21.00
15.1	240.922.00.1	Seal kit for braided hose, EPDM O-ring	9.00
16	243.279.00.1	Fixation clip for filling valve	5.00
17	241.469.00.1	Filling valve Type 380 for Sigma, Omega and Kappa Concealed Tanks	26.00
17.1	240.771.00.1	Seal kit for filling valve Type 380	11.00
17.2	241.670.00.1	Nipple to filling valve Type 380 for Sigma Concealed Tank 2x4	16.00
18	241.290.00.1	Dual-flush valve complete with valve seat basket for Sigma Concealed Tank 2x4	33.00
18.1	242.416.00.1	Dual-flush valve for Sigma Concealed Tank 2x4	16.00
18.2	241.167.00.1	Yoke set for flush valves	9.00
18.3	241.291.00.1	Flat gasket for flush valve for Sigma Concealed Tank 2x4	2.00
18.4	241.292.00.1	Fixing rail to Sigma Concealed Tank 2x4	5.00
19	242.269.00.1	Valve seat basket and noise bushing for flush valve	16.00
19.1	241.293.00.1	U-cup seal for valve basket	4.00
20	243.344.00.1	Flush actuator gear box	16.00
21	240.847.00.1	Stop valve to concealed tank (blue handle - for salt water applications)	25.00
21	242.414.00.1	Stop valve to concealed tank (blue handle)	17.00
21.1	240.298.00.1	Spindle to angle stop valve	13.00
21.2	240.347.00.1	Handle for angle stop valve (blue)	4.00
22	111.892.00.1	Frame mounting screws for steel stud construction, galvanized, self-tapping	6.00

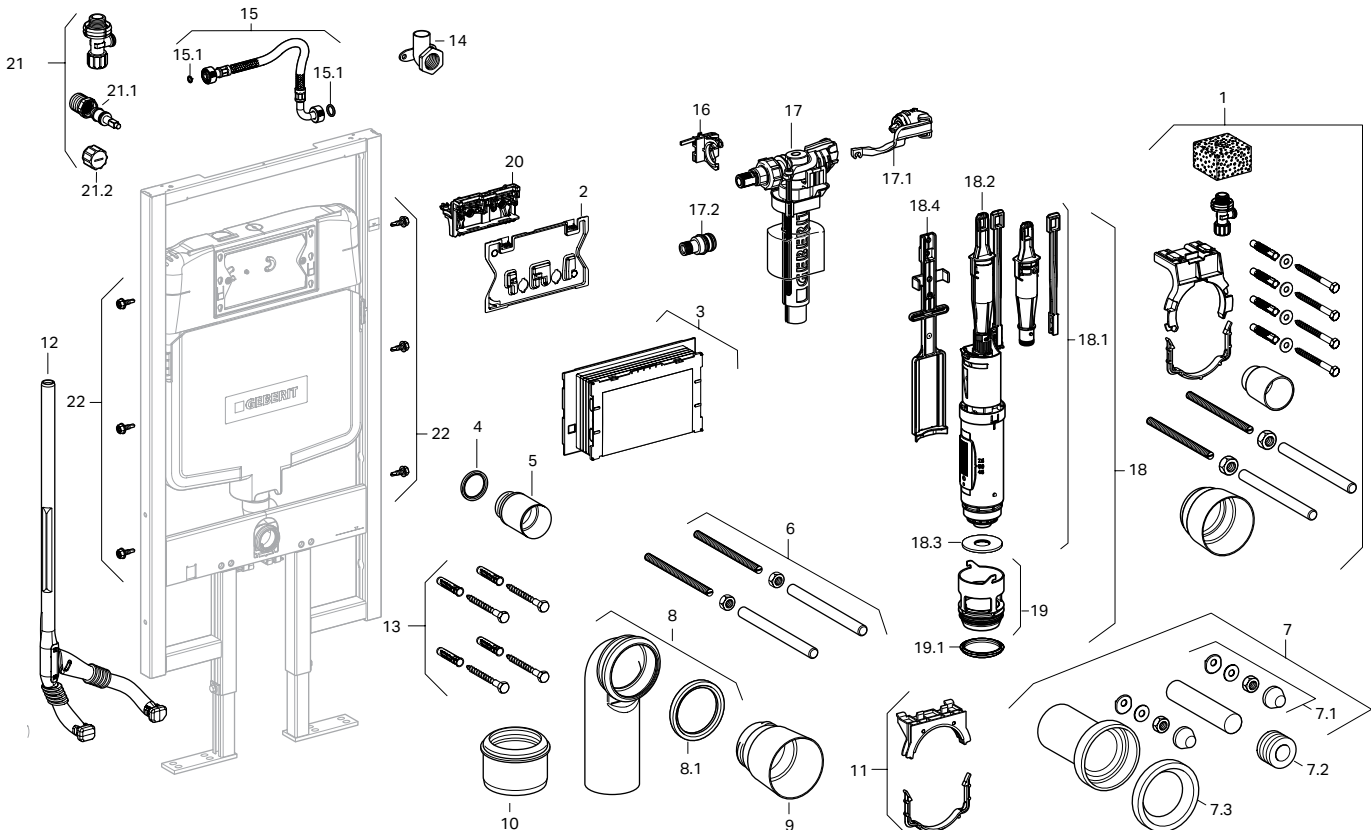


Replacement Parts

Inactive Geberit Duofix Carrier 111.728.00.1, Sigma 2x4 Installation

Item	Model No.	Description	List Price
1	242.314.00.1	Materials for Concealed Carrier and Tank installation	\$40.00
2	242.418.00.1	Splash guard protection cover for Sigma Concealed Tank 2x4	6.00
3	243.345.00.1 or 243.168.00.1	Mud guard protection housing for Sigma Concealed Tank 2x4, plastic	16.00
4	362.771.00.1	Seal for concealed flush pipe, EPDM	2.00
5	362.796.92.1	Protection plug, plastic	5.00
6	240.189.00.1	Threaded rod for wall-mounted toilet or bidet installation	4.00
7	152.404.46.1	Connector set with mounting hardware (bowl installation kit), HDPE; Matte Chrome cover caps	42.00
7.1	217.713.46.1	Cover caps with leveling washer, plastic, Matte Chrome	7.00
7.2	119.668.00.1	Seal for supply inlet tube, EPDM	2.00
7.3	152.424.00.1	Seal for toilet outlet connector, EPDM	3.00
8	241.899.00.1	HDPE waste fitting outlet bend, 1 x 90° bend with socket for Ø3.50" (Ø90 mm) push fit piping and Ø3.50" (Ø90 mm) outlet	51.00
8.1	387.282.00.1	Seal for outlet bends, EPDM	5.00
9	366.820.92.1	Protection plug, plastic	4.00
10	—	Flexible coupling FERNCO 3005-33	—
11	242.012.00.1	Outlet pipe bracket (complete)	4.00
12	242.888.00.1	Conduit pipe for shower toilet water supply with Sigma Concealed Tank 2x4 (from mid-2013 on)	10.00
13	216.179.00.1	Installation hardware	3.00
14	240.851.00.1	Drop ear elbow, copper	11.00

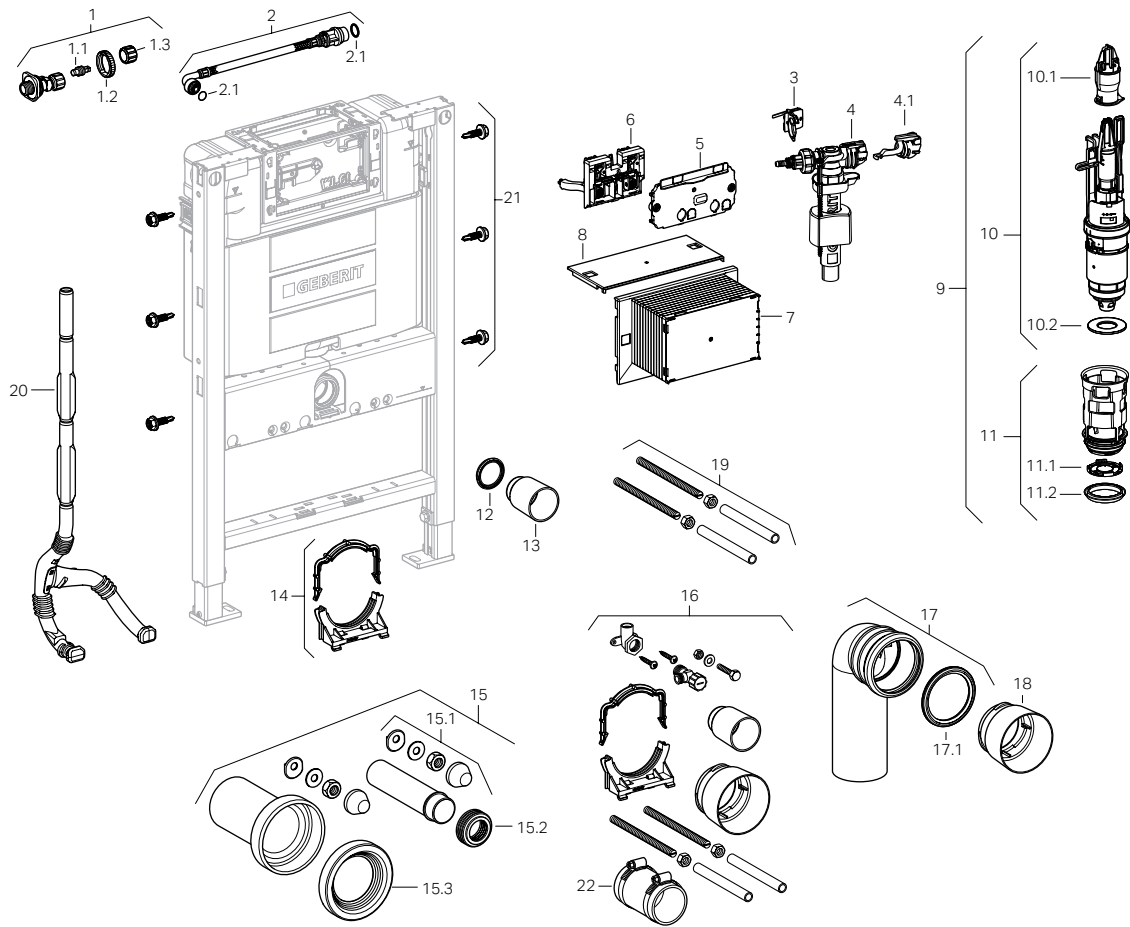
Item	Model No.	Description	List Price
15	242.415.00.1	Connection hose for Sigma Concealed Tank 2x4, 3/8"	\$16.00
15	243.357.00.1	Connection hose for Sigma Concealed Tank 2x4, 3/8" - for salt water applications	21.00
15.1	240.922.00.1	Seal kit for braided hose, EPDM O-ring	9.00
16	241.286.00.1	Fixation clip for filling valve	5.00
17	241.469.00.1	Filling valve Type 380 for Sigma, Omega and Kappa Concealed Tanks	26.00
17.1	240.771.00.1	Seal kit for filling valve Type 380	11.00
17.2	241.670.00.1	Nipple to filling valve Type 380 for Sigma Concealed Tank 2x4	16.00
18	241.290.00.1	Dual-flush valve complete with valve seat basket for Sigma Concealed Tank 2x4	33.00
18.1	242.416.00.1	Dual-flush valve for Sigma Concealed Tank 2x4	16.00
18.2	241.167.00.1	Yoke set for flush valves	9.00
18.3	241.291.00.1	Flat gasket for flush valve for Sigma Concealed Tank 2x4	2.00
18.4	241.292.00.1	Fixing rail to Sigma Concealed Tank 2x4	5.00
19	242.269.00.1	Valve seat basket and noise bushing for flush valve	16.00
19.1	241.293.00.1	U-cup seal for valve basket	4.00
20	242.417.00.1	Flush actuator gear box	9.00
21	240.847.00.1	Stop valve to concealed tank (blue handle - for salt water applications)	25.00
21	242.414.00.1	Stop valve to concealed tank (blue handle)	17.00
21.1	240.298.00.1	Spindle to angle stop valve	13.00
21.2	240.347.00.1	Handle for angle stop valve (blue)	4.00
22	111.892.00.1	Frame mounting screws for steel stud construction, galvanized, self-tapping	6.00



Geberit Duofix Carrier 111.012.00.1, Omega 2x6 Installation

Item	Model No.	Description	List Price
1	240.269.00.1	Angle stop valve to concealed tank (blue handle)	\$17.00
1.1	240.298.00.1	Spindle to angle stop valve	13.00
1.2	241.857.00.1	Counter nut, plastic	4.00
1.3	240.347.00.1	Handle for angle stop valve (blue)	4.00
2	240.629.00.1	Reinforced braided hose for Geberit Kappa and Omega Concealed Tank	21.00
2.1	240.922.00.1	Seal kit for braided hose, EPDM O-ring	9.00
3	243.088.00.1	Mounting bracket for filling valve	6.00
4	241.469.00.1	Fill valve Type 380	26.00
4.1	240.771.00.1	Seal kit for filling valve Type 380	11.00
5	243.090.00.1	Protection plate	59.00
6	243.091.00.1	Support block	18.00
7	243.092.00.1	Mud guard protection housing	27.00
8	243.093.00.1	Insertion plate	8.00
9	243.094.00.1	Flush valve complete with valve seat basket	39.00
10	243.095.00.1	Dual-flush valve	32.00
10.1	241.167.00.1	Handle set to flush valve	9.00
10.2	816.418.00.1	Flat gasket for flush valve	2.00
11	243.096.00.1	Valve seat basket and noise bushing for flush valve	11.00
11.1	243.139.00.1	Throttle for basket	7.00
11.2	241.868.00.1	U-cup seal for valve basket after 2008	2.00

Item	Model No.	Description	List Price
12	362.771.00.1	Seal for concealed flush pipe, EPDM	\$2.00
13	362.796.92.1	Protection plug, plastic	5.00
14	242.012.00.1	Outlet pipe bracket (complete)	4.00
15	152.404.46.1	Connector set with mounting hardware (bowl installation kit), HDPE; Alpine White cover caps	42.00
15.1	217.713.46.1	Cover caps with leveling washer, plastic, Matte Chrome	7.00
15.2	119.668.00.1	Seal for supply inlet tube, EPDM	2.00
15.3	152.424.00.1	Seal for toilet outlet connector, EPDM	3.00
16	242.314.00.1	Materials for Concealed Carrier and Tank installation	40.00
17	366.061.16.1	HDPE waste fitting outlet bend, 1 x 90° bend with socket for Ø3.50" (Ø90 mm) push fit piping and Ø3.50" (Ø90 mm) outlet	22.00
17.1	387.282.00.1	Seal for outlet bends, EPDM	5.00
18	366.820.92.1	Protection plug, plastic	4.00
19	240.189.00.1	Threaded rod for wall-mounted toilet or bidet installation	4.00
20	242.886.00.1	Conduit pipe for shower toilet water supply with Sigma Concealed Tank 2x6, Omega Concealed Tank or Kappa Concealed Tank (from 2013 on)	10.00
21	111.892.00.1	Frame mounting screws for steel stud construction, galvanized, self-tapping	6.00
22	—	Flexible coupling FERNCO 3005-33	—

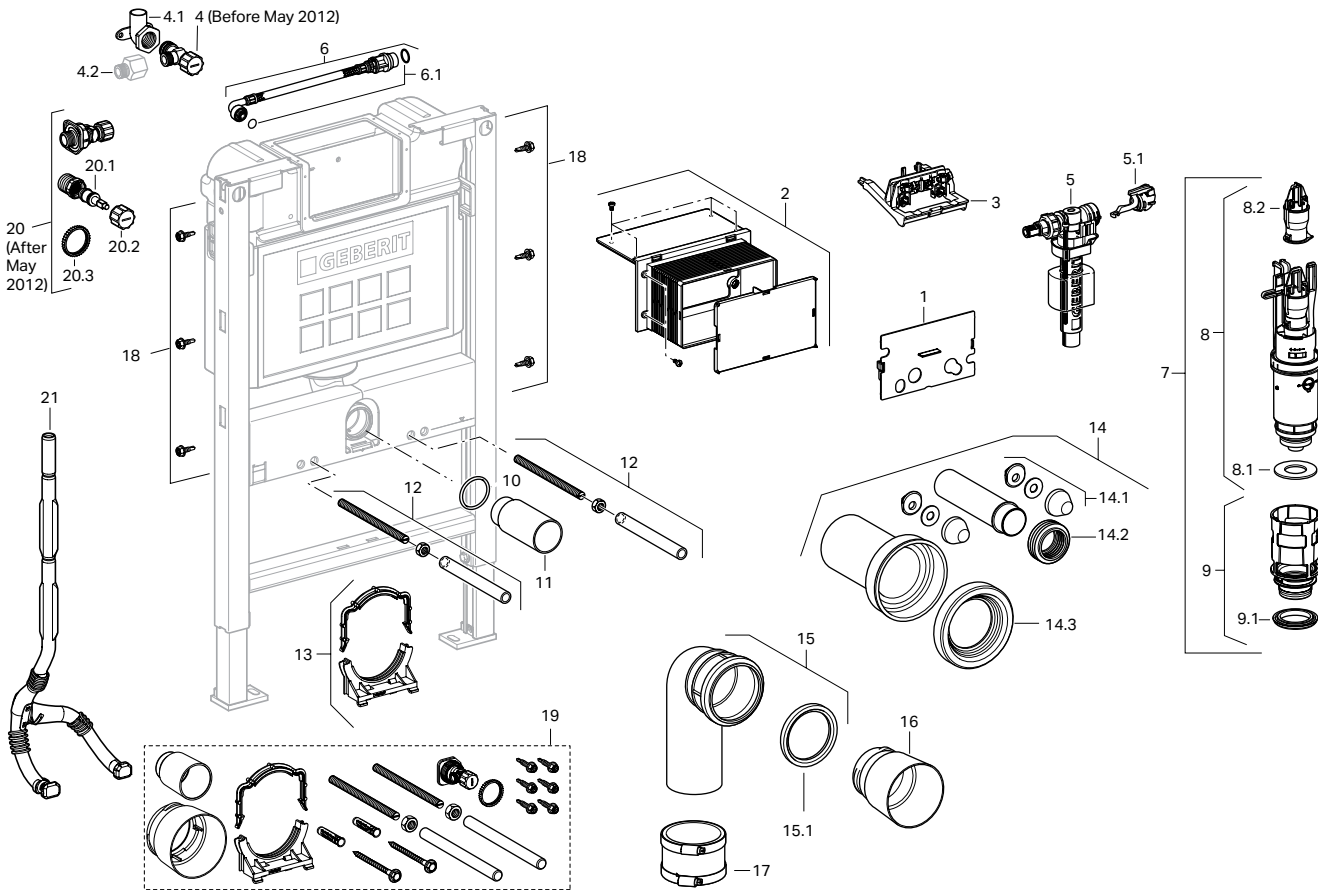


Replacement Parts

Inactive Geberit Duofix Carrier 111.255.00.1, 2x6 Installation

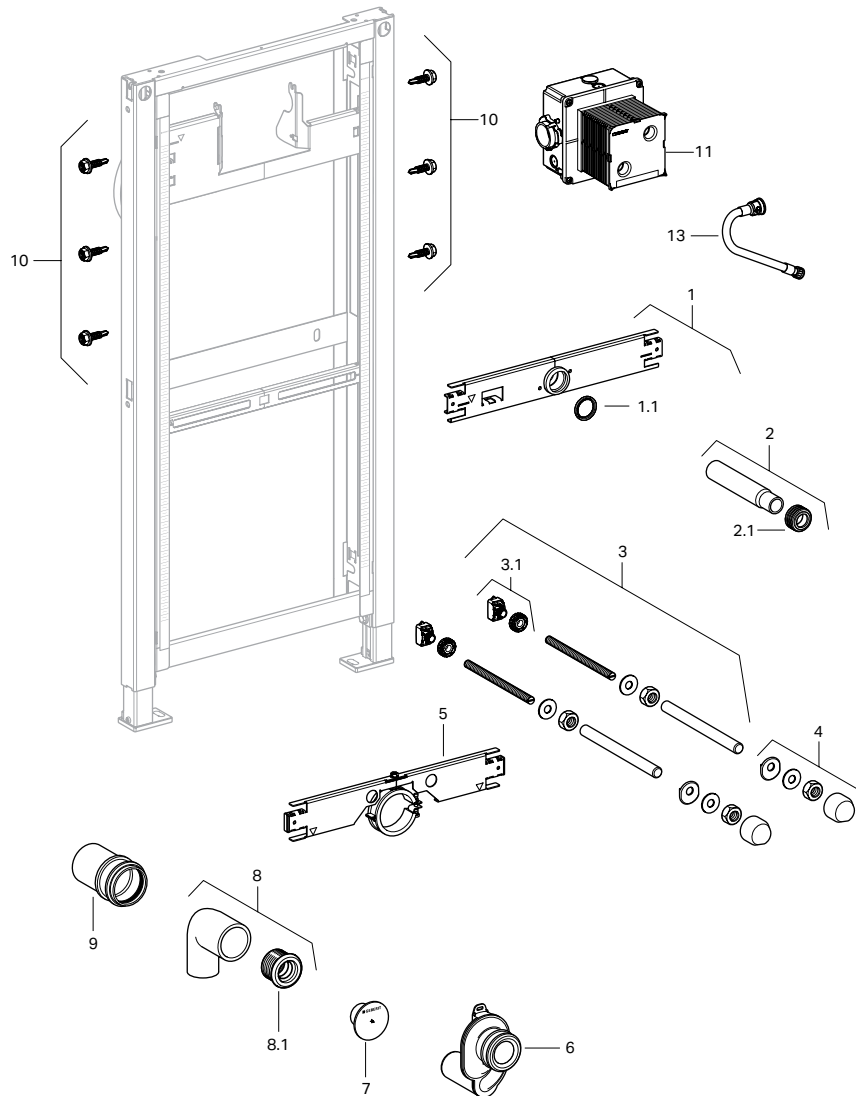
Item	Model No.	Description	List Price
1	242.316.00.1	Splash guard protection cover for Kappa Concealed Tank	\$6.00
2	240.172.00.1	Mud guard protection housing for Kappa Concealed Tank, plastic, comes standard	24.00
3	240.533.00.1	Flush actuator gear box	12.00
4	240.853.00.1	Supply angle Stop (black handle)	14.00
4.1	240.851.00.1	Drop ear elbow, copper	11.00
4.2	—	Adapter 3/8" BSPP-F to 1/2" NPT-M, Brass	—
5	241.469.00.1	Filling valve Type 380 for Sigma and Kappa concealed tanks	26.00
5.1	240.771.00.1	Seal kit for filling valve Type 380	11.00
6	240.629.00.1	Connection hose for Kappa Concealed Tank	21.00
6.1	240.922.00.1	Seal kit for braided hose, EPDM O-ring	9.00
7	240.637.00.1	Dual-flush valve complete with valve seat basket for UP200	35.00
8	240.638.00.1	Dual-flush valve for Kappa Concealed Tank	24.00
8.1	816.418.00.1	Flat gasket for flush valve	2.00
8.2	241.167.00.1	Yoke set for flush valves	9.00
9	241.859.00.1	Valve seat basket and noise bushing for flush valve	10.00
9.1	241.868.00.1	U-cup seal for valve basket	2.00
10	362.771.00.1	Seal for concealed flush pipe, EPDM	2.00
11	362.796.92.1	Protection plug, plastic	5.00
12	240.189.00.1	Threaded rod for wall-mounted toilet or bidet installation	4.00

Item	Model No.	Description	List Price
13	242.012.00.1	Outlet pipe bracket (complete)	\$4.00
14	152.404.46.1	Connector set with mounting hardware (bowl installation kit), HDPE; Matte Chrome cover caps	42.00
14.1	217.713.46.1	Cover caps with leveling washer, plastic, Matte Chrome	7.00
14.2	119.668.00.1	Seal for supply inlet tube, EPDM	2.00
14.3	152.424.00.1	Seal for toilet outlet connector, EPDM	3.00
15	366.061.16.1	HDPE waste fitting outlet bend, 1 x 90° bend with socket for Ø3.50" (Ø90 mm) push fit piping and Ø3.50" (Ø90 mm) outlet	22.00
15.1	387.282.00.1	Seal for outlet bends, EPDM	5.00
16	366.820.92.1	Protection plug, plastic	4.00
17	—	Flexible coupling FERNCO 3005-33	—
18	111.892.00.1	Frame mounting screws for steel stud construction, galvanized, self-tapping	6.00
19	242.314.00.1	Installation materials for concealed carrier and tank	40.00
20	240.269.00.1	Angle stop valve to concealed tank (Blue handle)	17.00
20.1	240.298.00.1	Spindle to angle stop valve	13.00
20.2	240.347.00.1	Handle for angle stop valve (Blue)	4.00
20.3	241.857.00.1	Counter nut, plastic	4.00
21	242.886.00.1	Conduit pipe for shower toilet water supply with Sigma Concealed Tank 2x6, Omega Concealed Tank or Kappa Concealed Tank (from 2013 on)	10.00



Geberit Duofix Carrier 111.625.00.1

Item	Model No.	Description	List Price	Item	Model No.	Description	List Price
1	242.039.00.1	Crossbar for water supply	\$70.00	8	240.315.00.1	Waste fitting outlet bend, PE; 1 x 90° bend with Ø2.48"/Ø1.97" (Ø63/Ø50 mm)	\$24.00
1.1	362.790.00.1	Round cord ring, EPDM	2.00	8.1	152.693.00.1	Seal for connector, EPDM; for Ø1.97" (Ø50 mm) outlet	3.00
2	152.489.16.1	Supply inlet tube with seal, PE; with Ø1.34" (Ø35 mm) supply inlet	27.00	9	242.516.00.1	Outlet pipe Ø1.97" (Ø50 mm) Terrain article no. 225.2G	24.00
2.1	119.669.00.1	Sleeve, EPDM	3.00	10	111.892.00.1	Frame mounting screws for steel stud construction, galvanized, self-tapping	6.00
3	242.045.00.1	Fixing, with plastic nuts, complete	14.00	11	241.930.00.1	Mud guard protection housing and extension set for urinal carrier	19.00
3.1	242.046.00.1	Plastic union nuts for crossbar for fixing	11.00	12	242.131.00.1	Elbow, 90° (not shown)	60.00
4	240.027.46.1	Cover caps, plastic, Matte Chrome	6.00	13	242.195.00.1	Inlet Hose	55.00
5	242.047.00.1	Outlet cross member	27.00				
6	152.950.11.1	Syphonic trap with horizontal outlet and seal, PE; with Ø1.97" (Ø50 mm) outlet	35.00				
7	853.614.92.1	Protection plug	5.00				

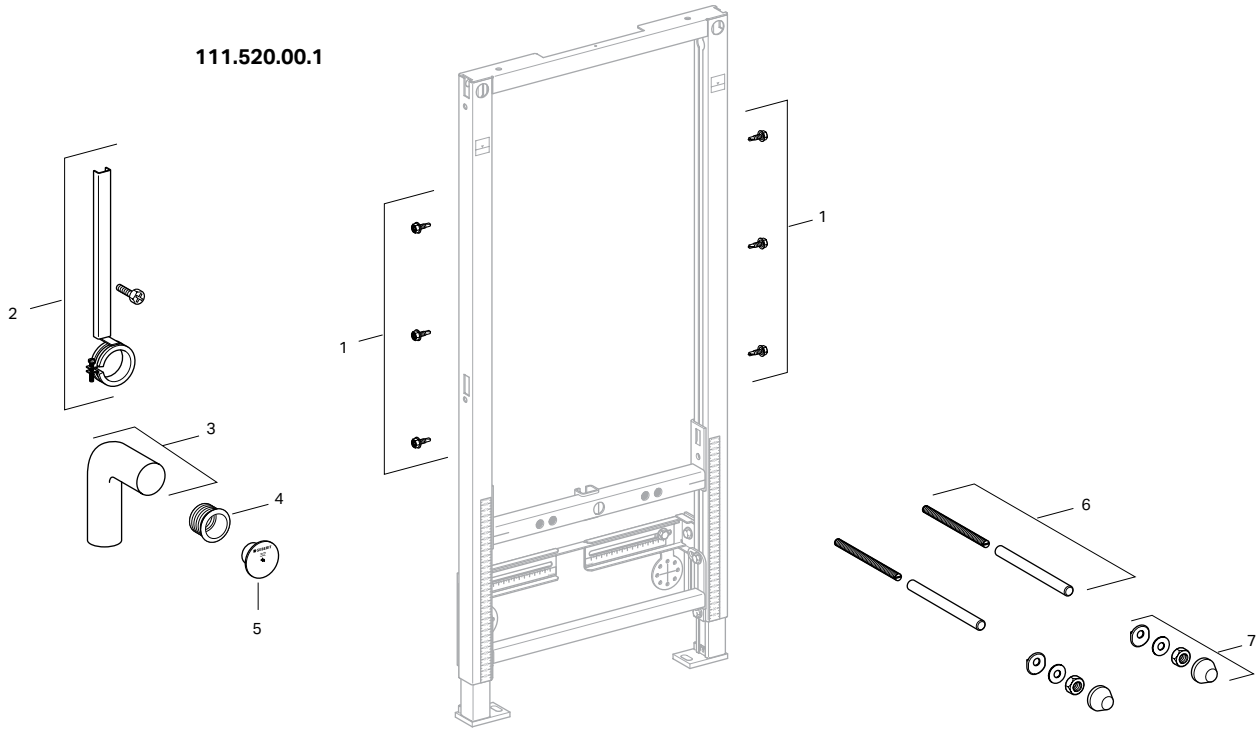


Replacement Parts

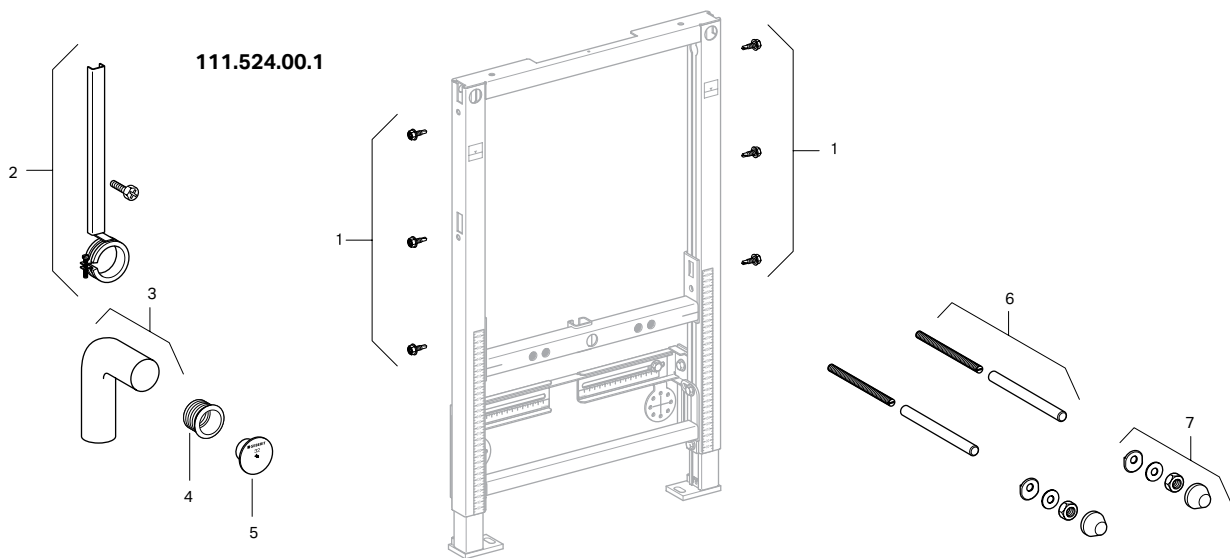
Geberit Duofix Carriers 111.520.00.1 and 111.524.00.1

Item	Model No.	Description	List Price	Item	Model No.	Description	List Price
1	111.892.00.1	Frame mounting screws for steel stud construction, galvanized, self-tapping	\$6.00	5	240.306.00.1	Protection plug, Ø1.26" (Ø32 mm)	\$2.00
2	241.066.00.1	Pipe mounting bracket	14.00	6	240.189.00.1	Threaded rod for wall-mounted toilet or bidet installation	4.00
3	241.067.16.1	Outlet bend – 90 degrees	12.00	7	217.713.46.1	Cover caps with leveling washer, plastic, Matte Chrome	7.00
4	152.682.00.1	Outlet seal, EPDM, push on for Ø1.97" (Ø50 mm) tube	3.00				

111.520.00.1

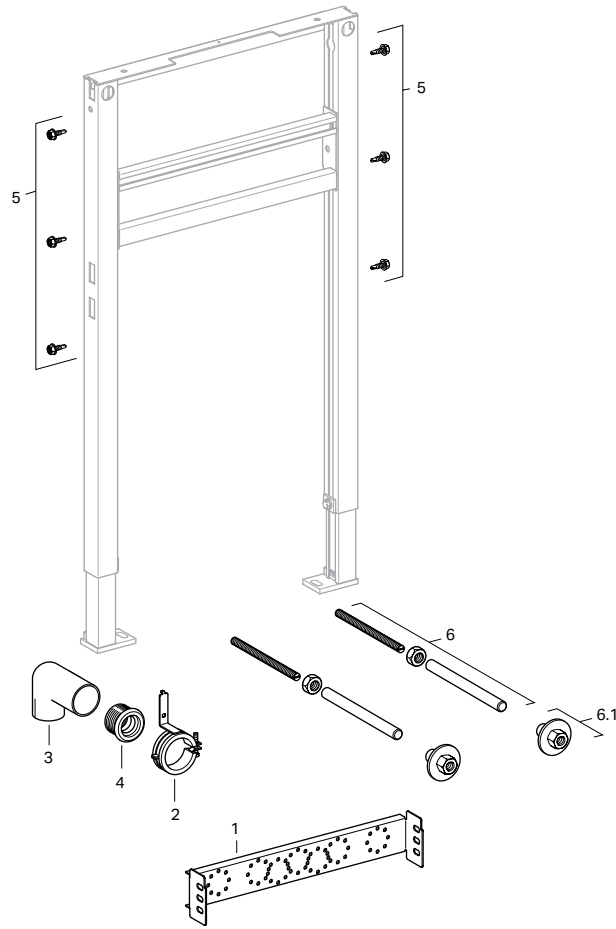


111.524.00.1



Geberit Duofix Carrier 111.490.00.1

Item	Model No.	Description	List Price	Item	Model No.	Description	List Price
1	241.803.00.1	Crossbar for deck-mounted faucet	\$14.00	5	111.892.00.1	Frame mounting screws for steel stud construction, galvanized, self-tapping	\$6.00
2	241.805.00.1	Pipe bracket for outlet bend	12.00	6	241.059.00.1	Threaded rod for wall-mounted washbasin	14.00
3	241.067.16.1	Outlet bend – 90 degrees	12.00	6.1	241.009.00.1	M10 nuts for Basin Frame set of 2	9.00
4	152.682.00.1	Standard outlet seal, EPDM, push on for Ø1.97" (Ø50 mm) tube	3.00				
	152.796.00.1	Outlet seal, EPDM Ø1.97"/Ø1.57" (Ø50/40 mm)	3.00				

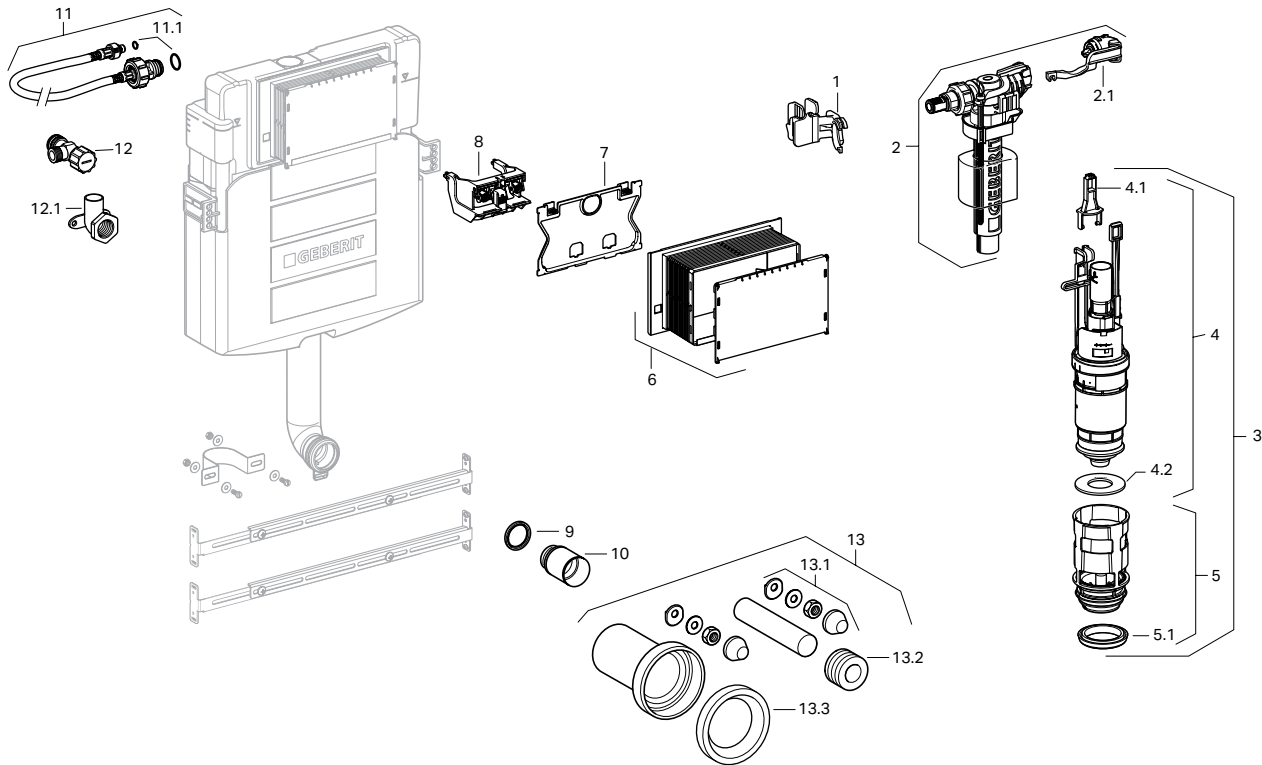


Replacement Parts

Geberit Sigma Concealed Tank 109.304.00.5, 2x6 Installation

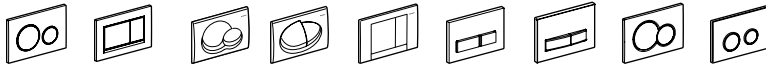
Item	Model No.	Description	List Price
1	240.923.00.1	Fixation clip for filling valve	\$6.00
2	241.469.00.1	Filling valve Type 380 for Sigma, Omega and Kappa Concealed Tanks	26.00
2.1	240.771.00.1	Seal kit for filling valve Type 380	11.00
3	241.858.00.1	Dual-flush valve complete with valve seat basket	21.00
4	240.622.00.1	Dual-flush valve for Sigma Concealed Tank	14.00
4.1	241.167.00.1	Yoke set for flush valves	9.00
4.2	816.418.00.1	Flat gasket for flush valve	2.00
5	241.859.00.1	Valve seat basket and noise bushing for flush valve	10.00
5.1	241.868.00.1	U-cup seal for valve basket	2.00
6	243.345.00.1	Mud guard protection housing for Sigma or 243.168.00.1 Concealed Tanks 2x6 and 2x4, plastic	16.00
7	242.315.00.1	Splash guard protection cover for Sigma Concealed Tank 2x6	6.00
8	241.829.00.1	Flush actuator gear box	6.00

Item	Model No.	Description	List Price
9	362.771.00.1	Seal for concealed flush pipe, EPDM	\$2.00
10	362.796.92.1	Protection plug, plastic	5.00
11	240.921.00.1	Connection hose for Sigma Concealed Tank, 3/8"	14.00
	241.854.00.1	Connection hose for Sigma Concealed Tank, 3/8" – dezincification resistant	21.00
11.1	240.922.00.1	Seal kit for braided hose, EPDM O-ring	9.00
12	240.853.00.1	Supply angle stop (black handle)	14.00
12.1	240.851.00.1	Drop ear elbow, copper	11.00
13	152.404.46.1	Connector set with mounting hardware (bowl installation kit), HDPE; Matte Chrome cover caps	42.00
13.1	217.713.46.1	Cover caps with leveling washer, plastic, Matte Chrome	7.00
13.2	119.668.00.1	Seal for supply inlet tube, EPDM	2.00
13.3	152.424.00.1	Seal for toilet outlet connector, EPDM	3.00



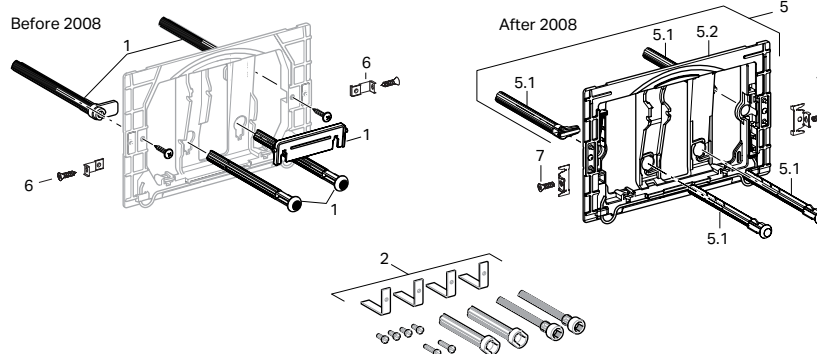
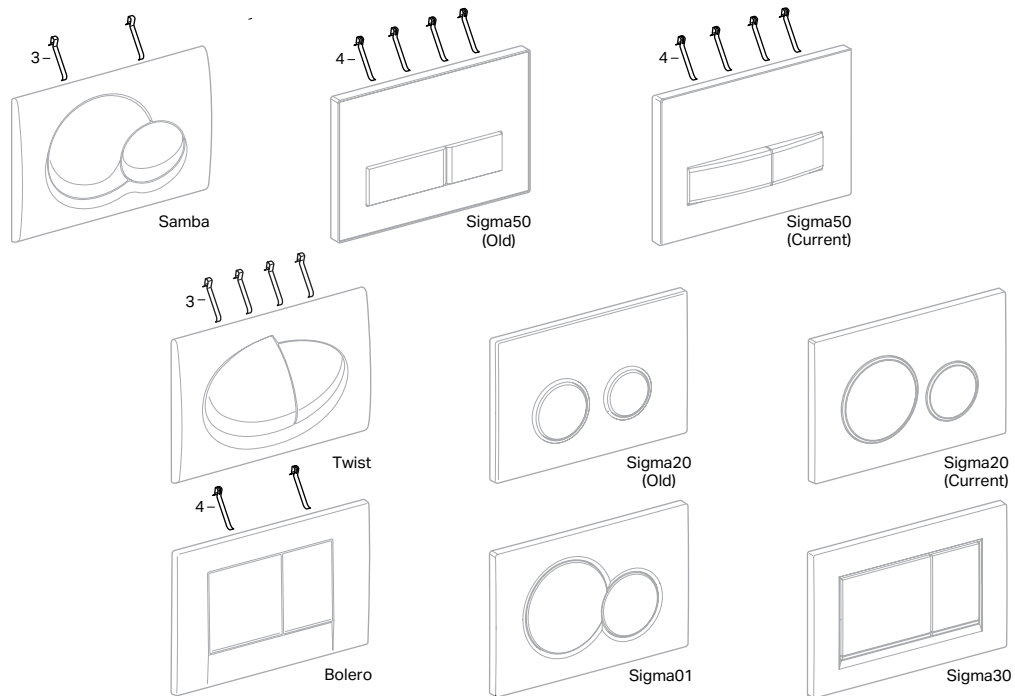
Geberit Samba, Twist, Bolero, Sigma01, Sigma20, Sigma30 and Sigma50 Actuators 


115.882 115.883 115.770 115.780 115.777 115.788 115.788 115.770 115.778 115.781 Actuator Dimensions: All Sigma and Bolero models 9.7" x 6.5" (24.6 cm x 16.4 cm)



Item	1	2	3	4	5	6	7	8	9	Model No.	Description	List Price
1	1									241.875.00.1	Actuator bolt and rod kit	\$12.00
2	2	2	2	2	2	2	2	2	2	240.938.00.1	Extension set for actuator plates for Sigma Concealed Tanks 2x6, 2x4, Kappa and Omega Concealed Tanks	22.00
			3	3	3					813.514.00.1	Spring for actuator plate	2.00
						4	4			241.295.00.1	Spring for actuator plate, 10 pcs	9.00
5	5	5	5	5	5	5	5	5	5	241.873.00.1	Conversion kit for tool-free assembly (converts units manufactured prior to 04.01.2008)	27.00
5.1	5.1	5.1	5.1	5.1	5.1	5.1	5.1	5.1	5.1	241.874.00.1	Actuator bolt and rod kit, tool-free assembly	11.00
5.2	5.2	5.2	5.2	5.2	5.2	5.2	5.2	5.2	5.2	241.876.00.1	Mounting frame, tool-free assembly	15.00
				6	6	6				240.698.00.1	AV screws Twist plate + Allen key set-2	40.00
7			7	7	7	7			7	241.877.00.1	Fastening set for mounting frame, tool-free assembly	49.00

115.770, 115.780, 115.777, 115.788, 115.770, 115.778, 115.781, 115.882, 115.883, 115.889



Products marked with  comply with the American Disabilities Act (ADA) when installed per the requirements of the latest ADA Accessibility Guidelines (ADAAG) and/or ICC/ANSI A117.1.

Replacement Parts

Geberit Mambo, Rumba, Tango, Sigma10 and Sigma30 Actuators

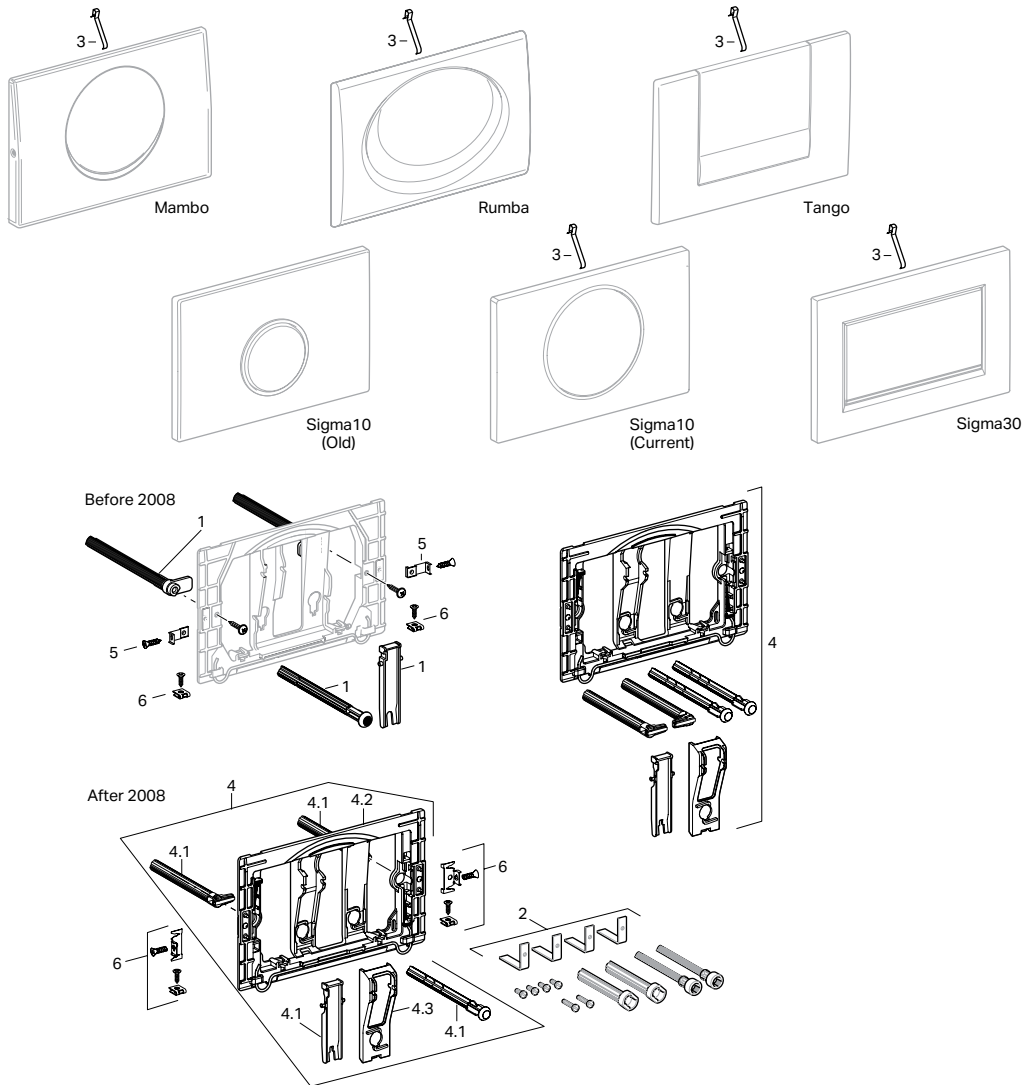
115.893 115.760 115.750 115.751 115.758 115.758
115.787


Actuator Dimensions: All Sigma and Tango models 9.7" x 6.5" (24.6 cm x 16.4 cm)



Item	1	2	3	4	5	6	Model No.	Description	List Price
1	1	1	1	1	1	1	241.875.00.1	Actuator bolt and rod kit	\$12.00
2	2	2	2	2	2	2	240.938.00.1	Extension set for actuator plates for Sigma Concealed Tanks 2x6, 2x4, Kappa and Omega Concealed Tanks	22.00
3	3	3	3	3	3	3	813.514.00.1	Spring for actuator plate	2.00
4	4	4	4	4	4	4	241.873.00.1	Conversion kit for tool-free assembly (converts units manufactured prior to 04.01.2008)	27.00
4.1	4.1	4.1	4.1	4.1	4.1	4.1	241.874.00.1	Actuator bolt and rod kit, tool-free assembly	11.00
4.2	4.2	4.2	4.2	4.2	4.2	4.2	241.876.00.1	Mounting frame, tool-free assembly	15.00
			4.3				241.878.00.1	Rocker mounting Mambo, tool free. From 2008	11.00
5	5		5				241.093.00.1	Fastening for cover plate UP300 set-2	16.00
6	6		6			6	241.877.00.1	Fastening set for mounting frame, tool-free assembly	49.00

115.760, 115.750, 115.751, 115.758, 115.787, 115.893



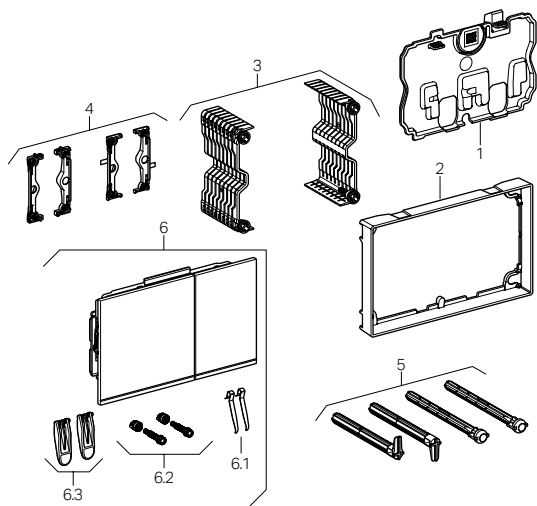
Products marked with  comply with the American Disabilities Act (ADA) when installed per the requirements of the latest ADA Accessibility Guidelines (ADAAG) and/or ICC/ANSI A117.1.

Geberit Sigma60 Actuators (2016 Version)

115.640



Item	Model No.	Description	List Price
1	243.423.00.1	Protection plate Sigma60 (2016)	\$69.00
2	243.413.00.1	Compensation frame Sigma60 (2016)	151.00
3	243.414.00.1	Distance element Sigma60 (2016) set-2	32.00
4	243.424.00.1	Adapter Set Sigma60 (2016)	42.00
5	242.588.00.1	Actuator rod set for Omega and Sigma60	19.00
6	243.415.GH.1	Actuator plate Sigma60 (2016), Bright Chrome	599.00
6	243.415.SI.1	Actuator plate Sigma60 (2016), White Glass	535.00
6	243.415.SJ.1	Actuator plate Sigma60, Black Glass	535.00
6	243.415.SQ.1	Actuator plate Sigma60 (2016), Umber Glass	535.00
6.1	813.514.00.1	Spring for actuator plate	2.00
6.2	242.920.00.1	Stopper pin for Sigma60/Omega60 set-2	5.00
6.3	243.422.00.1	Rocker actuator plate Sigma60 (2016) set	21.00

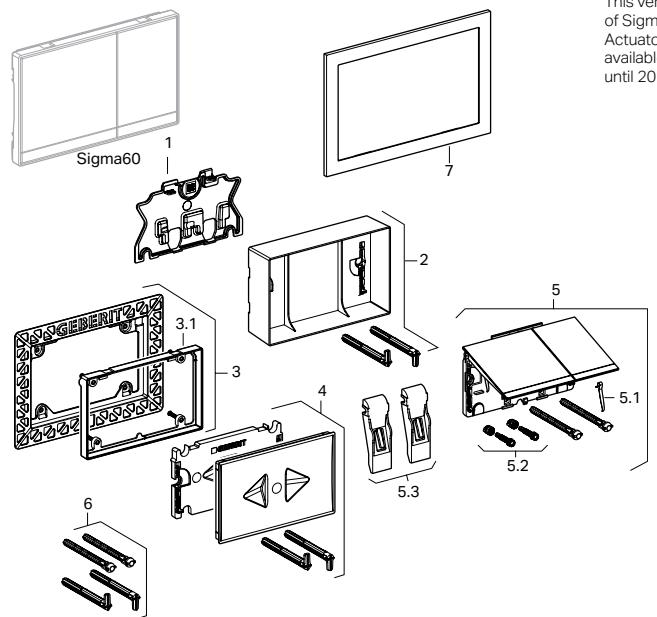


Geberit Sigma60 Actuators


115.795/115.796/115.792 Actuator Dimensions: 8.7" x 5.5" (22.1 cm x 13.9 cm)



Item	Model No.	Description	List Price
1	242.583.00.1	Protection plate	\$13.00
2	242.576.00.1	Protection box	17.00
3	242.582.00.1	Mounting frame with compensation frame	110.00
3.1	242.584.00.1	Compensation frame	79.00
4	242.579.00.1	Protection box compensation frame	24.00
5	115.796.GH.1	Brushed Chrome trim set	427.00
5.1	813.514.00.1	Spring for actuator plate	2.00
5.2	242.920.00.1	Stopper pin for Omega60/Sigma60 set-2	5.00
5.3	243.278.00.1	Rocker plate for Omega60/Sigma60 set-2	10.00
6	242.588.00.1	Actuator rod set for Omega and Sigma60	19.00
7	242.544.GH.1	Cover plate, Brushed Chrome	124.00



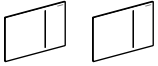
This version of Sigma60 Actuator available until 2016

Products marked with  comply with the American Disabilities Act (ADA) when installed per the requirements of the latest ADA Accessibility Guidelines (ADAAG) and/or ICC/ANSI A117.1.

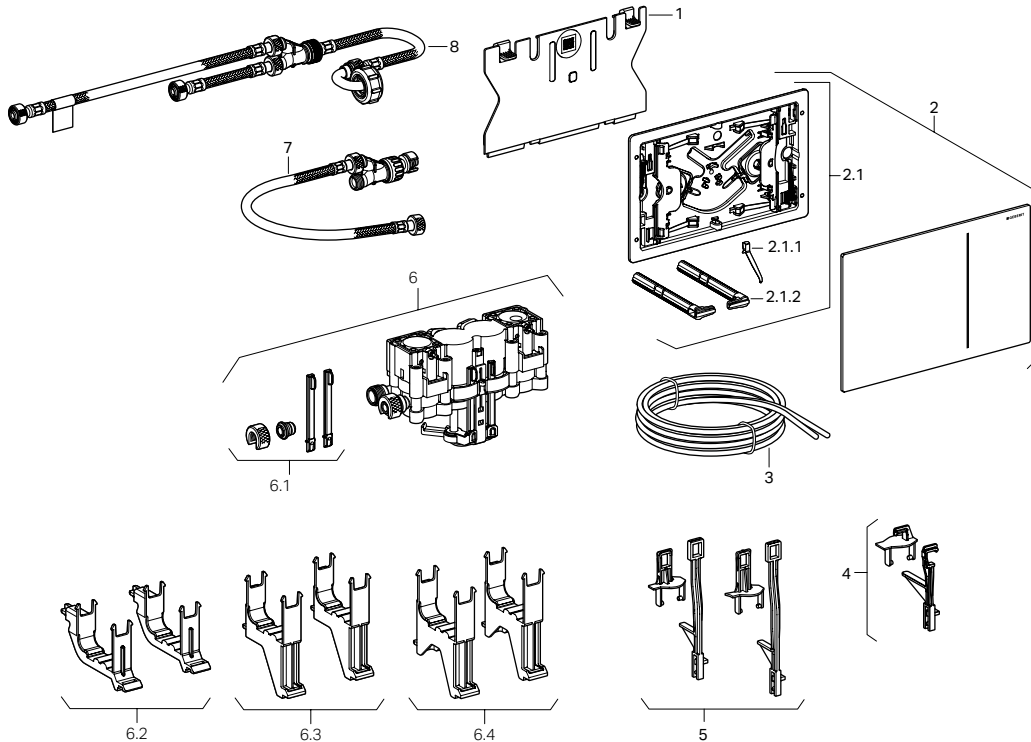
Replacement Parts


Geberit Sigma70 Actuators

115.620 115.625 Actuator Dimensions: 9.5" x 6.3" (24 cm x 15.8 cm)



Item	Model No.	Description	List Price
1	242.819.00.1	Protection plate for Sigma Concealed Tank 2x6	\$12.00
1	243.084.00.1	Protection plate for Sigma Concealed Tank 2x4	59.00
2	242.813.FW.1	Actuator plate Sigma70, Brushed SS	189.00
2	242.813.SI.1	Actuator plate Sigma70, White Glass	159.00
2	242.813.SJ.1	Actuator plate Sigma70, Black Glass	159.00
2	242.813.SQ.1	Actuator plate Sigma70, Umber Glass	159.00
2	242.813.00.1	Actuator plate Sigma70 customer supplied inlay	189.00
2.1	242.814.00.1	Mounting frame Sigma70	32.00
2.1.1	2.1.1	Spring for actuator plate	2.00
2.1.2	2.1.2	Actuator rod set mount w/o tool	11.00
3	243.297.00.1	Double pneumatic hose, 78.74" (2 m), dual-flush (Green/Clear)	6.00
4	242.825.00.1	Conversion set flush valve Sigma Concealed Tank, 4.72" (12 cm) and Omega Concealed Tank 2x6	10.00
5	242.826.00.1	Conversion set flush valve Sigma Concealed Tank, 3.16" (8 cm) 2x4	10.00
6	242.820.00.1	Hydraulic flushing device	189.00
6.1	6.1	Spare parts set for hydraulic lifter	10.00
6.2	243.170.00.1	Support block hydraulic servo lifter for 2x6 Sigma Concealed Tank	16.00
6.3	243.171.00.1	Support block hydraulic servo lifter for 2x4 Sigma Concealed Tank	16.00
6.4	243.347.00.1	Support block hydraulic servo lifter for 2x4 Sigma Concealed Tank (2016 version)	16.00
7	242.824.00.1	Connection hose complete for Sigma Concealed Tank, 4.72" (12 cm) 2x6	40.00
8	242.823.00.1	Connection hose complete for Sigma Concealed Tank, 3.16" (8 cm) 2x4	56.00



Products marked with  comply with the American Disabilities Act (ADA) when installed per the requirements of the latest ADA Accessibility Guidelines (ADAAG) and/or ICC/ANSI A117.1.

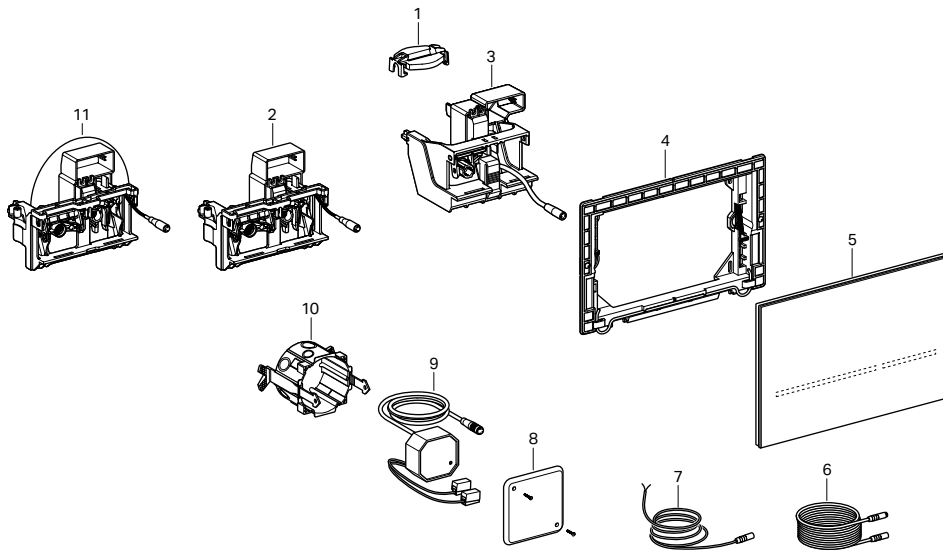
Geberit Sigma80 Actuators


116.090 116.091 116.092

Actuator Dimensions: 9.75" x 6.5" (24.6 cm x 16.4 cm)



Item	Model No.	Description	List Price		
1	1	1	242.975.11.1	Handle crown for flush valve	\$5.00
	2		242.424.00.1	Lifting device WC-control, 2x4	159.00
3			241.150.00.1	Lifting device WC-control w/servomotor, 2x6	159.00
4	4	4	242.617.00.1	Mounting frame Sigma80	44.00
5	5	5	242.618.SG.1	Actuator plate Sigma80 Black	778.00
5	5	5	242.618.SM.1	Actuator plate Sigma80 Mirror	778.00
6	6	6	241.831.00.1	Extension mains cable 78.74" (2.0 m) WC-control	58.00
7	7	7	242.658.00.1	Connection cable 78.74" (2.0 m) WC-control Sigma80	42.00
8	8	8	241.161.00.1	Cover for housing for electric socket	11.00
9	9	9	241.149.00.1	Power supply unit WC-control	110.00
10	10	10	241.302.00.1	Housing for electric socket for PSU	13.00
		11	243.356.00.1	Lifting device WC-control 2x4 (2016 version)	159.00



Products marked with  comply with the American Disabilities Act (ADA) when installed per the requirements of the latest ADA Accessibility Guidelines (ADAAG) and/or ICC/ANSI A117.1.

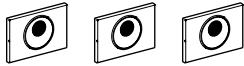
The information and pricing in this document are subject to change without notice.

Replacement Parts

Geberit Hands-Free Sigma10 and Mambo Actuator

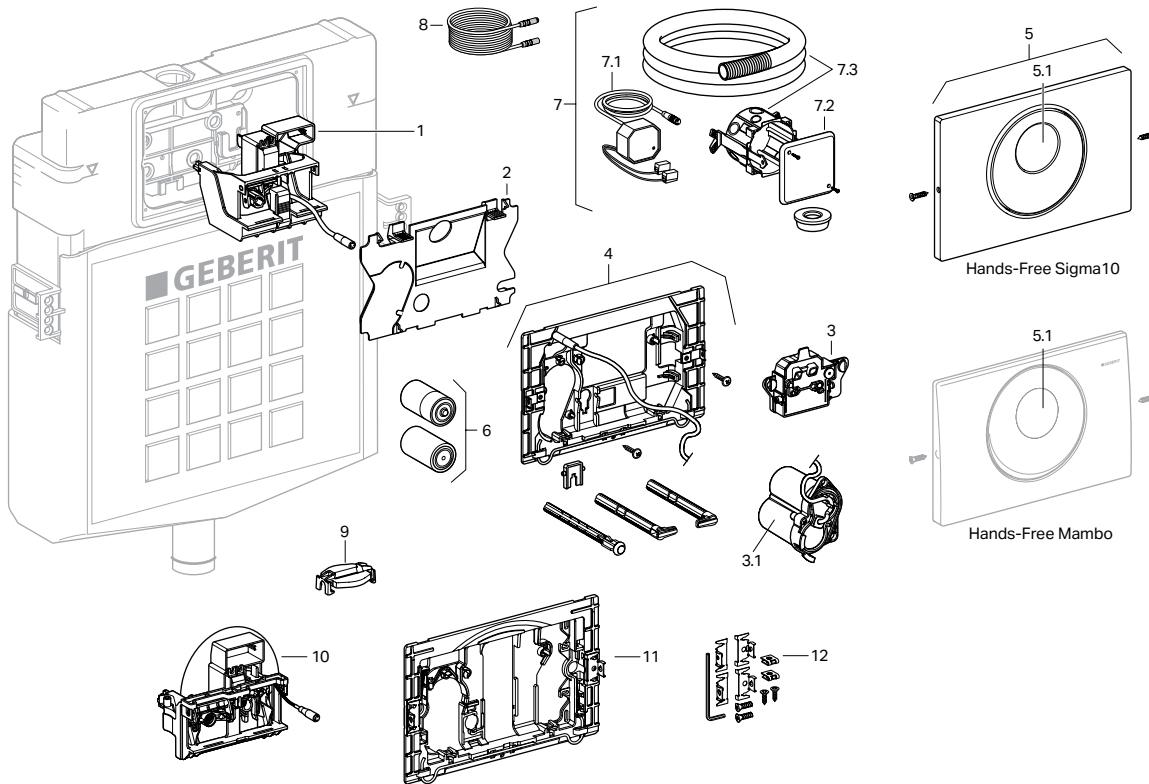
115.891 115.890 115.856


Actuator Dimensions: 9.7" x 6.5" (24.6 cm x 16.4 cm)



Item	Model No.	Description	List Price
1	1	241.150.00.1 Lifting device with servo-motor for WC-control	\$159.00
2	2	241.303.00.1 Protection plate for WC-control Sigma10 and Mambo	9.00
3	3	241.476.00.1 Electronic sensor for WC-control	376.00
3.1	3.1	242.870.00.1 Battery housing (only for 115.891)	131.00
4	4	242.871.00.1 Mounting frame for WC-control	27.00
5	5	242.781.SN.1 IR actuator plate for WC-control Sigma10 and Mambo	189.00
5.1	5.1	241.478.00.1 IR window with adapter for WC-control Sigma10 and Mambo	32.00
6	—	2 batteries, LR20 (standard) "D" cells	—
7	7	115.861.00.1 Control installation set	145.00
7.1	7.1	241.149.00.1 Power supply unit	110.00
7.2	7.2	241.161.00.1 Cover for housing for electric socket	11.00
7.3	7.3	241.302.00.1 Housing for electric socket	13.00
8	8	241.831.00.1 Extension mains cable	58.00
9	9	242.975.11.1 Flush valve crown	5.00
	10	243.356.00.1 Lifting device WC-control 2x4 (2016 version)	159.00
	11	242.425.00.1 Mounting frame for Mambo	115.00
	12	241.877.00.1 Fastening set for mounting frame. Tool free assembly.	49.00

115.891 (Battery/DC), 115.890 (AC), 115.856 (AC)



Products marked with  comply with the American Disabilities Act (ADA) when installed per the requirements of the latest ADA Accessibility Guidelines (ADAAG) and/or ICC/ANSI A117.1.

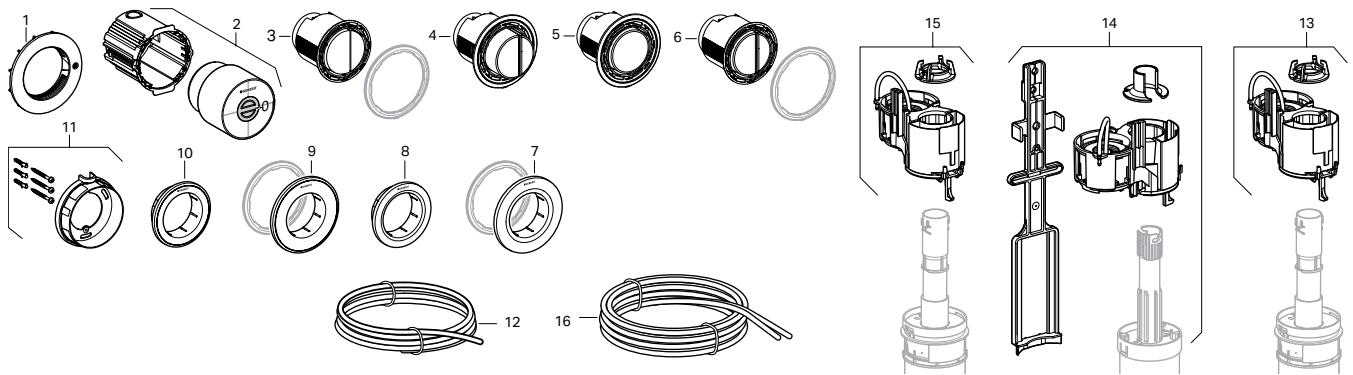
Geberit Type 01 and Type 10 Remote Push Button Actuators


116.040 116.041 116.042 116.043 116.044 116.045 116.050 116.055 116.056 116.057



Actuator Dimensions: Type 01 and Type 10
 Concealed Installation: 3.7" (9.4 cm) dia.
 Furniture Installation: 3.94" (10 cm) dia.

Item	Model No.	Description	List Price
	1	1	242.939.00.1 Nut remote control for furniture \$16.00
2	2	2	243.130.00.1 Concealed housing w/ protection cover 19.00
	3	3	243.398.KH.1 Actuator protruding Type 10 dual flush Matte Chrome 136.00
	3	3	243.398.KK.1 Actuator protruding Type 10 dual flush Alpine White 120.00
	4	4	243.396.11.1 Actuator protruding Type 01 dual flush Polished Chrome/White 92.00
5	5		243.395.11.1 Actuator Type 01 pneumatic single flush, Alpine White 84.00
5	5		243.395.21.1 Actuator Type 01 pneumatic single flush, Bright Chrome 92.00
	6	6	243.397.11.1 Actuator Type 01 pneumatic dual flush, Alpine White 92.00
	6	6	243.397.21.1 Actuator Type 01 pneumatic dual flush, Bright Chrome 120.00
	6	6	243.397.46.1 Actuator Type 01 pneumatic dual flush, Matte Chrome 120.00
7	7	7	242.961.11.1 Collar for Type 01 for concealed actuator, Alpine White 28.00
7	7	7	242.961.21.1 Collar for Type 01 for concealed actuator, Bright Chrome 28.00
	8	8	242.962.11.1 Collar for Type 01 furniture actuator, Alpine White 16.00
	8	8	242.962.21.1 Collar for Type 01 furniture actuator, Bright Chrome 28.00
	8	8	242.962.46.1 Collar for Type 01 furniture actuator, Matte Chrome 28.00
	9	9	242.963.KH.1 Collar for Type 10 for concealed actuator, Matte Chrome 35.00
	9	9	242.963.KJ.1 Collar for Type 10 for concealed actuator, Polished Chrome/White 35.00
	10	10	242.964.KH.1 Collar for Type 10 furniture actuator, Matte Chrome 35.00
	10	10	242.964.KJ.1 Collar for Type 10 furniture actuator, Polished Chrome/White 35.00
11	11		242.965.00.1 Fastening ring for Type 01 S/M actuator 32.00
12	12		256.000.00.1 Pneumatic hose 3.5m 5.00
13			240.573.00.1 Pneumatic flushing device for WC-control single flush 19.00
	14	14	242.594.00.1 Pneumatic flushing device dual for UP720/UP172 35.00
	15	15	240.574.00.1 Pneumatic flushing device for WC-control dual flush 24.00
	16	16	240.575.00.1 Double pneumatic hose for dual flush 2m (Blue/Clear) 6.00



Products marked with  comply with the American Disabilities Act (ADA) when installed per the requirements of the latest ADA Accessibility Guidelines (ADAAG) and/or ICC/ANSI A117.1.

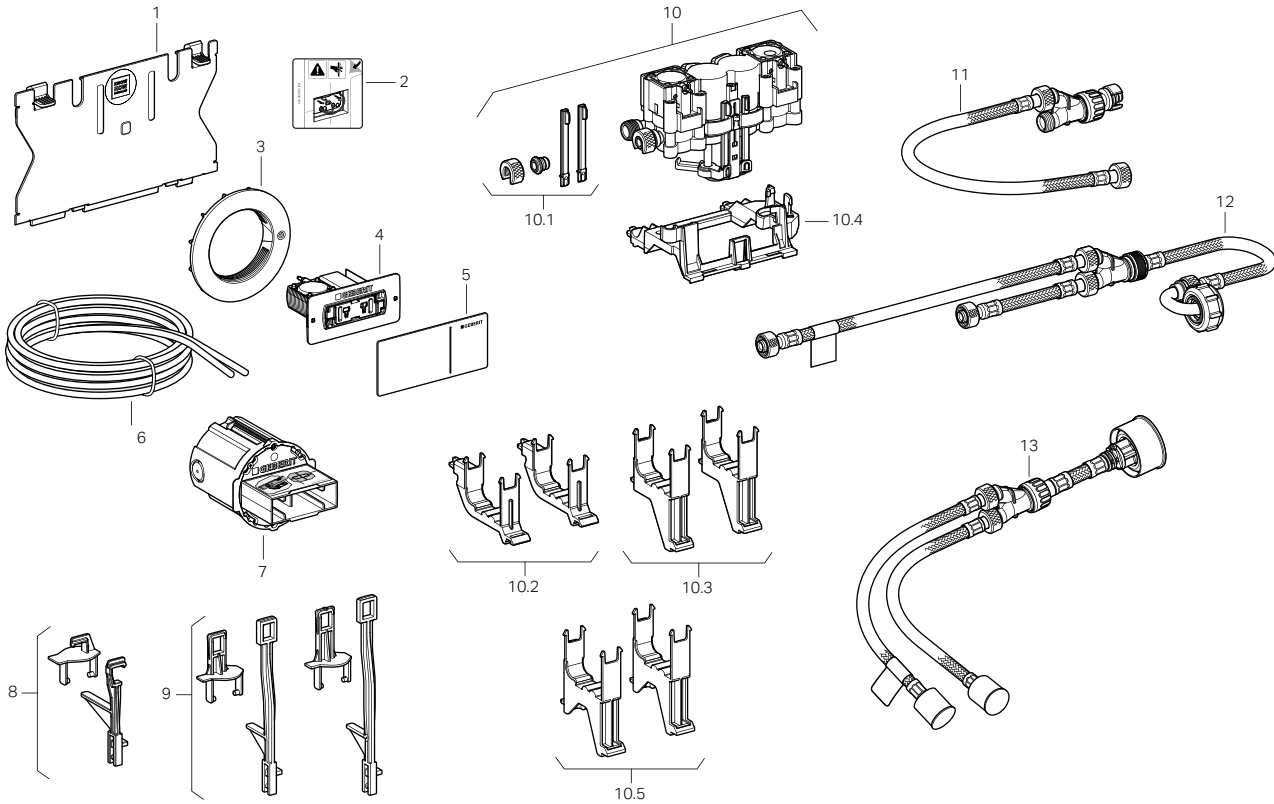
Replacement Parts

Geberit Type 70 Remote Dual-Flush Buttons

115.630 115.635 115.084 Actuator Dimensions: 4.4" x 1.9" (11.2 cm x 5 cm)




Item	Model No.	Description	List Price	
1	242.819.00.1	Protection plate Type 70, for 2x6 Sigma Concealed Tank	\$12.00	
1	243.084.00.1	Protection plate Type 70, for 2x4 Sigma Concealed Tank	59.00	
	2	243.111.00.1	Sticker protection plate for Type 70, for 2x6 Omega Concealed Tank	11.00
3	3	242.939.00.1	Nut remote control for furniture installations	16.00
4	4	242.956.00.1	Ready-to-fit set remote flush actuation Type 70	184.00
5	5	242.957.FW.1	Remote flush actuation Type 70 Stainless Steel	376.00
		242.957.SI.1	Remote flush actuation Type 70 White Glass	275.00
		242.957.SJ.1	Remote flush actuation Type 70 Black Glass	275.00
		242.957.SQ.1	Remote flush actuation Type 70 Umber Glass	275.00
6	6	243.297.00.1	Double pneumatic hose for dual-flush 2m (Green/Clear)	6.00
7	7	242.949.00.1	Installation set remote flush actuation Type 70	59.00
8	8	242.825.00.1	Conversion set flush valve for 2x6 Sigma/Omega Concealed Tank	10.00
	9	242.826.00.1	Conversion set flush valve for 2x4 Sigma Concealed Tank	10.00
10	10	242.820.00.1	Hydraulic flushing device	189.00
10.1	10.1	242.822.00.1	Spare parts set for hydraulic lifter	10.00
10.2		243.170.00.1	Support block hydraulic servo lifter for 2x6 Sigma Concealed Tank	16.00
	10.3	243.171.00.1	Support block hydraulic servo lifter for 2x4 Sigma Concealed Tank	16.00
	10.4	243.169.00.1	Support block hydraulic servo lifter for 2x6 Omega Concealed Tank	16.00
	10.5	243.347.00.1	Support block hydraulic servo lifter for 2x4 Sigma Concealed Tank (2016 version)	16.00
11		242.824.00.1	Connection hose complete for Type 70, for 2x6 Sigma Concealed Tank	40.00
	12	242.823.00.1	Connection hose complete for Type 70, for 2x4 Sigma Concealed Tank	56.00
	13	242.958.00.1	Connection hose complete for Type 70, for 2x6 Omega Concealed Tank	118.00

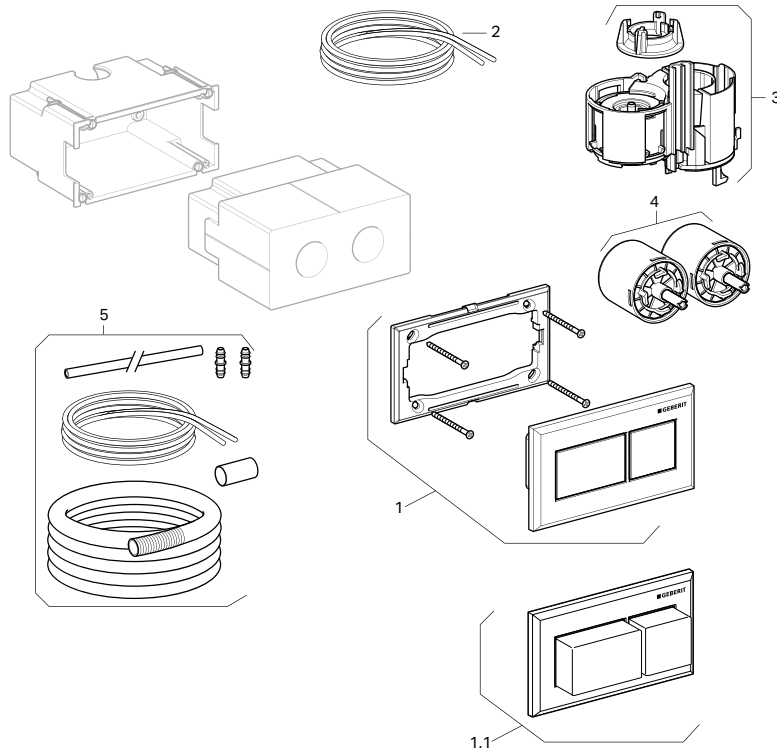



Geberit Rectangular Remote Push Button Actuators

115.932 115.934 Actuator Dimensions: 5.06" x 2.91" (12.9 cm x 7.4 cm)



Item	Model No.	Description	List Price
1	242.849.GH.1	Push button, dual-flush, for Rectangle WC flush control, Brushed Chrome	\$173.00
1	242.849.KA.1	Push button, dual-flush, for Rectangle WC flush control, Polished Chrome-Matte Chrome	110.00
1.1	115.934.21.1	Push button, dual-flush, for Rectangle WC flush control, Polished Chrome 	154.00
2	242.848.00.1	Pneumatic hose, extension set, dual-flush	24.00
3	242.846.00.1	Pneumatic lifter, dual-flush	24.00
4	242.847.00.1	Pneumatic cylinder for WC flush control	24.00
5	242.873.00.1	Double pneumatic hose, 197" (5.0 m), dual-flush	6.00



Products marked with  comply with the American Disabilities Act (ADA) when installed per the requirements of the latest ADA Accessibility Guidelines (ADAAG) and/or ICC/ANSI A117.1.

Replacement Parts

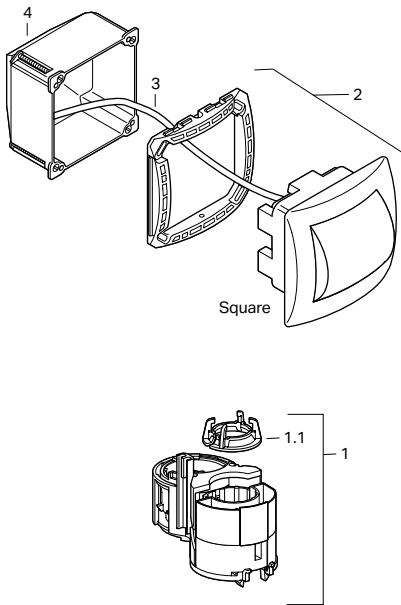
Inactive Geberit Square Remote Push Button Actuators

115.941 115.942 115.991 Actuator Dimensions: 4.25" x 4.25" (10.8 cm x 10.8 cm)

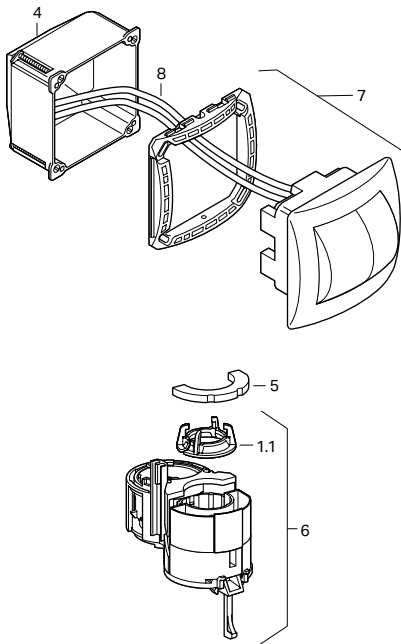


Item		Model No.	Description	List Price
1		240.573.00.1	Pneumatic flushing device for WC flush control single	\$19.00
1.1	1.1	880.328.11.1	Lifter flange dual-flush valve system	6.00
2	2	240.571.11.1	Wall mount actuator for pneumatic single-flush for WC flush control, Alpine White	45.00
2	2	240.571.KA.1	Wall mount actuator for pneumatic single-flush for WC flush control, Matte Chrome	63.00
3	3	256.000.00.1	Pneumatic hose	5.00
4	4	240.582.00.1	Concealed housing	19.00
	5	242.401.00.1	Brass weight for WC flush control pneumatic dual-flush	40.00
	6	240.574.00.1	Pneumatic flushing device for WC flush control dual-flush	24.00
	7	240.572.11.1	Wall mount actuator for pneumatic dual-flush for WC flush control, Alpine White	49.00
		240.572.KA.1	Wall mount actuator for pneumatic dual-flush for WC flush control, Matte Chrome	80.00
	8	240.575.00.1	Double pneumatic hose for dual-flush (Blue/Clear)	6.00
	9	242.594.00.1	Pneumatic flushing device single-flush UP720, carrier model 111.728	35.00

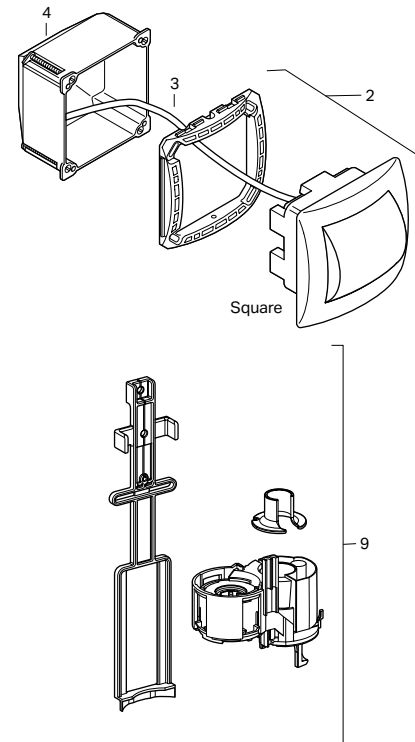
115.941 (Sigma 2x6 or Omega 2x6)



115.942 (Sigma 2x6 or Omega 2x6)



115.991 (Sigma 2x4)



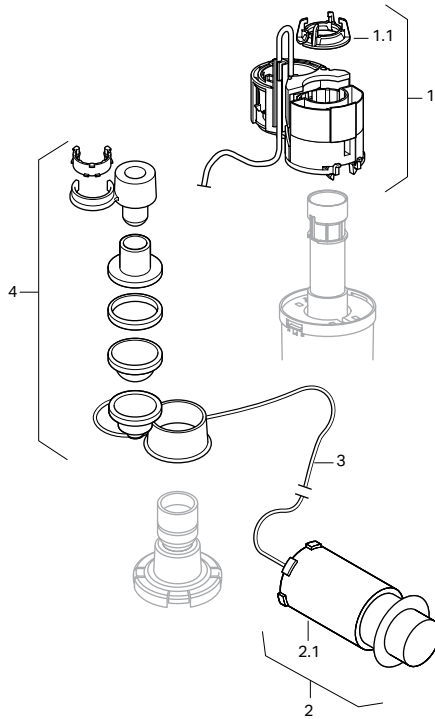
Inactive Geberit Round Remote Push Button Actuators

115.114 115.992 115.999 Actuator Dimensions: Round Single-Flush 2.5" (6.4 cm) dia., Round Dual-Flush 2.44" (6.2 cm) dia., Halfmoon 3.25" (8 cm) dia.

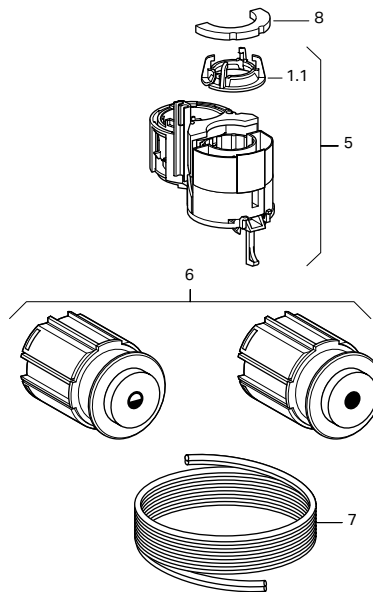


Item		Model No.	Description	List Price
1		240.573.00.1	Pneumatic flushing device for WC-control single-flush. From 1999	\$19.00
1.1	1.1	880.328.11.1	Lifter flange dual-flush valve system	6.00
2		241.199.11.1	Wall mount manual actuator pneumatic single-flush	49.00
		241.199.21.1	Wall mount manual actuator pneumatic single-flush	54.00
2.1		240.794.00.1	Bellows to pneumatic actuator	6.00
3		256.000.00.1	Pneumatic hose	5.00
4		240.004.00.1	Conversion set for single flush valves 1985 - 1998	19.00
	5	240.574.00.1	Pneumatic flushing device for WC-control dual-flush	24.00
	6	242.380.21.1	Actuator WC-control pneumatic dual-flush set	133.00
	7	240.575.00.1	Double pneumatic hose for dual-flush (Blue/Clear)	6.00
	8	242.401.00.1	Brass weight 28.5g for WC-control pneumatic dual-flush	40.00
	9	241.413.21.1	Wall mount manual actuator, pneumatic dual-flush for WC flush control	77.00
	9.1	242.548.00.1	Collar for wall mount actuator WC flush control	16.00

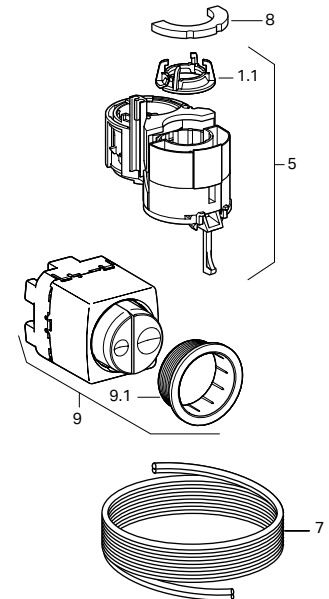
115.114 (Sigma 2x6 or Omega 2x6)



115.992 (Sigma 2x6 or Omega 2x6)



115.999 (Sigma 2x6 or Omega 2x6)



Replacement Parts

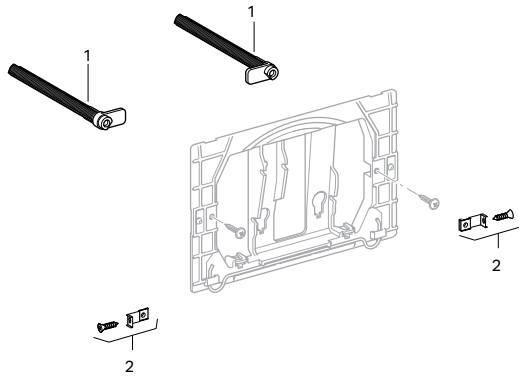
Geberit Cover Plates, Sigma for Use with Flush Buttons

115.764 115.766 115.768 Actuator Dimensions: 9.7" x 6.5" (24.6 cm x 16.4 cm)

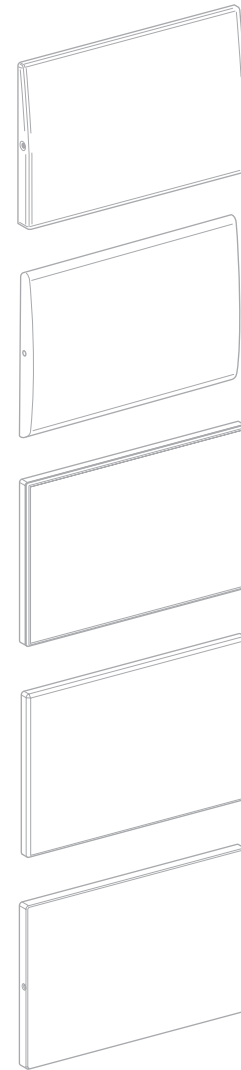
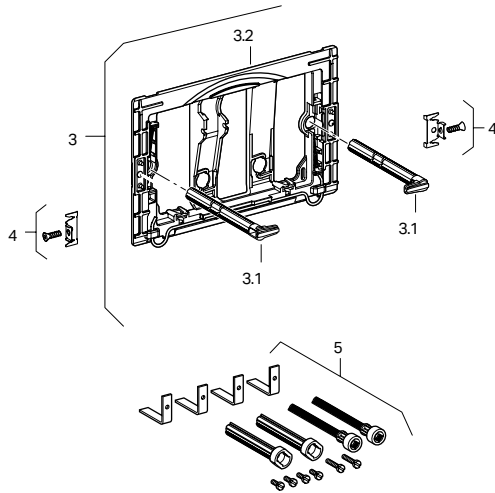


Item	Model No.	Description	List Price
1	1	Actuator rod set to screw together (Until the end of 2007)	\$12.00
2	2	Fastening for cover plate UP300 set-2	16.00
3	3	Conversion set for tool-free installation	27.00
3.1	3.1	Actuator rod set mount w/o tool (From 2008)	11.00
3.2	3.2	Mounting frame tool-free (From 2008)	15.00
4	4	Screw for Twist, Tango, Mambo set-2. For tool-free mounting frame.	49.00
5	5	Extension set for C/C UP200/UP300	22.00

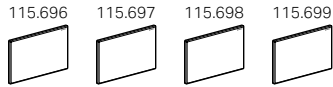
< 2008



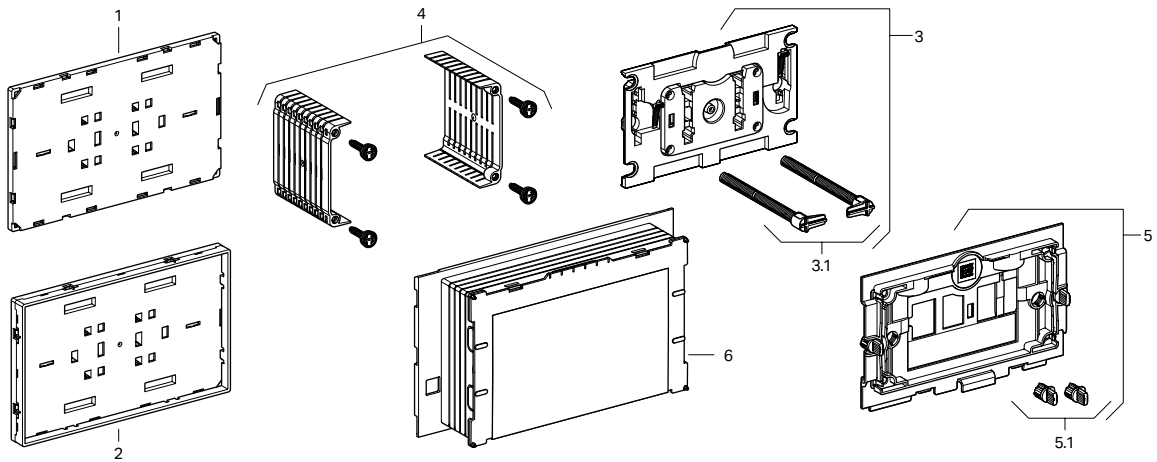
> 2008



Geberit Cover Plates, Sigma, Surface-Even



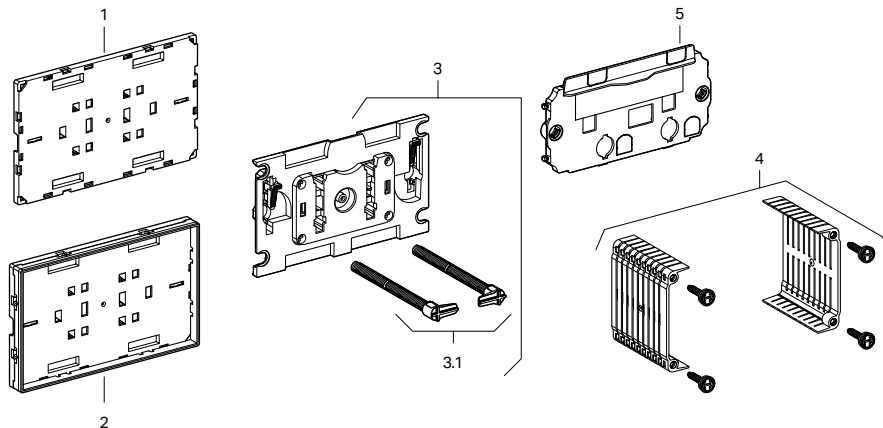
Item	Model No.	Description	List Price
1	243.303.00.1	Support plate Sigma	\$52.00
2	243.307.21.1	Support plate Sigma with sight frame	85.00
3	243.301.00.1	Mechanism plate	20.00
3.1	242.588.00.1	Actuator rod set for Omega and Sigma60	19.00
4	243.110.00.1	Distance element Omega60 set-2	27.00
5	243.304.00.1	Adapter plate Sigma surface even cover plate	56.00
5.1	243.305.00.1	Locking pin set-2	5.00
	243.168.00.1	Rough install set surface even C/C for Sigma 12 cm	16.00



Geberit Cover Plates, Omega, Surface-Even



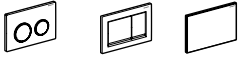
Item	Model No.	Description	List Price
1	243.299.00.1	Support plate Omega	\$56.00
2	243.306.21.1	Support plate Omega with sight frame	112.00
3	243.301.00.1	Mechanism plate	20.00
3.1	242.588.00.1	Actuator rod set for Omega and Sigma60	19.00
4	243.110.00.1	Distance element Omega60 set-2	27.00
5	243.302.00.1	Protection plate for Omega cover plate, surface even	21.00



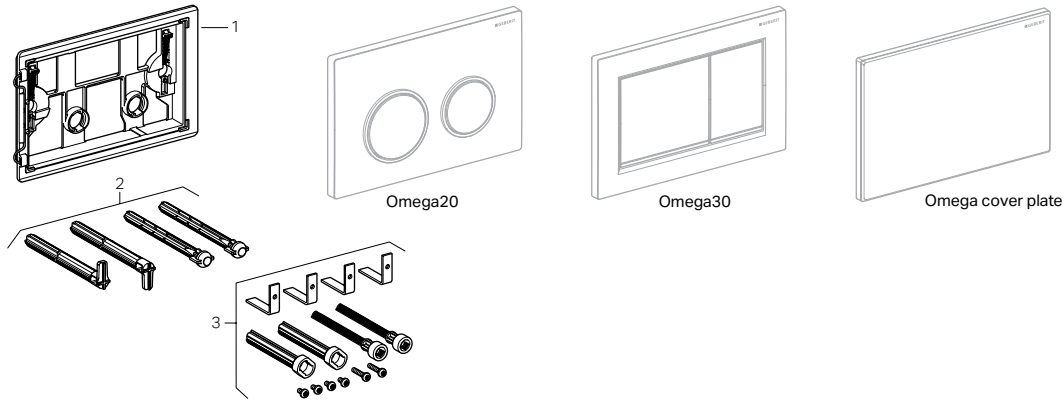
Replacement Parts

Geberit Omega20 and Omega30 Actuators

115.085 115.080 115.082 Actuator Dimensions: 8.3" x 5.6" (21.2 cm x 14.2 cm)



Item	Model No.	Description	List Price
1	1	1 243.108.00.1 Mounting frame Omega	\$16.00
2	2	2 242.588.00.1 Rod set to Omega and Sigma60	19.00
3	3	3 240.938.00.1 Extension set for actuator plates for Sigma Concealed Tanks 2x6 and 2x4, Kappa and Omega Concealed Tanks	22.00

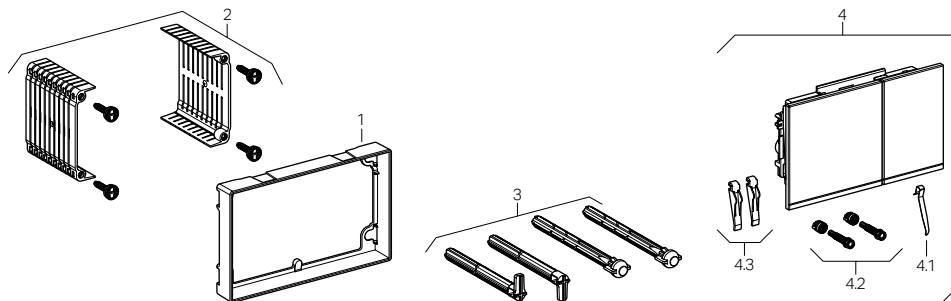



Geberit Omega60 Actuators

115.081 Actuator Dimensions: 7.2" x 4.5" (18.4 cm x 11.4 cm), 8.2"x5.5" (20.9 cm x 13.9 cm with frame)



Item	Model No.	Description	List Price
1	243.109.00.1	Compensation frame Omega60	\$103.00
2	243.110.00.1	Distance element Omega60 set-2	27.00
3	242.588.00.1	Rod set to Omega and Sigma60	19.00
4	243.118.GH.1	Actuator plate Omega60, Brushed Chrome	522.00
4	243.118.SI.1	Actuator plate Omega60, White Glass	466.00
4	243.118.SJ.1	Actuator plate Omega60, Black Glass	466.00
4	243.118.SQ.1	Actuator plate Omega60, Umber Glass	466.00
4.1	813.514.00.1	Spring for actuator plate	2.00
4.2	242.920.00.1	Stopper pin for Omega60/Sigma60 set-2	5.00
4.3	243.294.00.1	Rocker plate for Omega60/Sigma60 set-2	10.00



Products marked with  comply with the American Disabilities Act (ADA) when installed per the requirements of the latest ADA Accessibility Guidelines (ADAAG) and/or ICC/ANSI A117.1.

Inactive Geberit Kappa Actuators

115.228 115.258 115.260 115.680 Actuator Dimensions: 8.3" x 5.6" (21.2 cm x 14.2 cm)

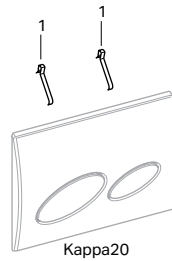


Item				Model No.	Description	List Price
1	1	1	—	241.295.00.1	Spring for actuator plate, 10 pcs	\$9.00
2	2	2	2	240.639.00.1	Actuator lever rod set for Kappa Concealed Tank	6.00
3	3	3	3	240.646.00.1	Mounting frame for Kappa Concealed Tank/Artline	11.00
4	4	4	4	240.938.00.1	Extension set for actuator plates for Sigma Concealed Tanks 2x6 and 2x4, Kappa and Omega Concealed Tanks	22.00

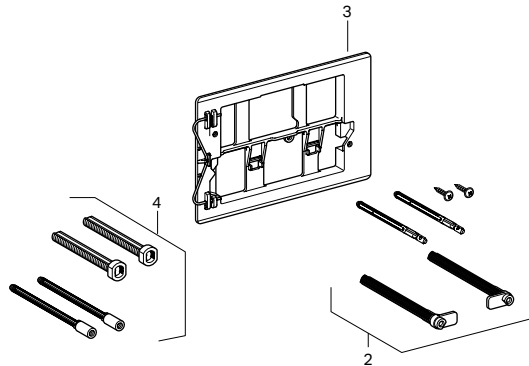
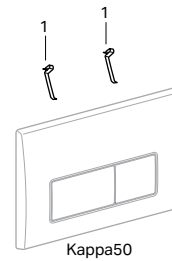
115.680




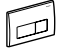
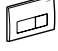
115.228



115.258/115.260




Complete Units

Style	Material	Finish	Model No.	List Price
 Kappa20		Alpine White	115.228.11.1	\$107.00
		Polished Chrome	115.228.21.1	144.00
		Matte Chrome	115.228.46.1	144.00
 Kappa50		Brushed Stainless Steel	115.258.00.1	256.00
 Kappa50		Alpine White	115.260.11.1	256.00
		Polished Chrome	115.260.21.1	256.00
		Matte Chrome	115.260.31.1	256.00

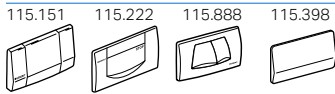
Cover Plates for Kappa Concealed Tank Pre-wall, 2x6 Installation for use with Flush Buttons

	Alpine White	115.680.11.1	\$94.00
	Polished Chrome	115.680.21.1	127.00

Products marked with  comply with the American Disabilities Act (ADA) when installed per the requirements of the latest ADA Accessibility Guidelines (ADAAG) and/or ICC/ANSI A117.1.

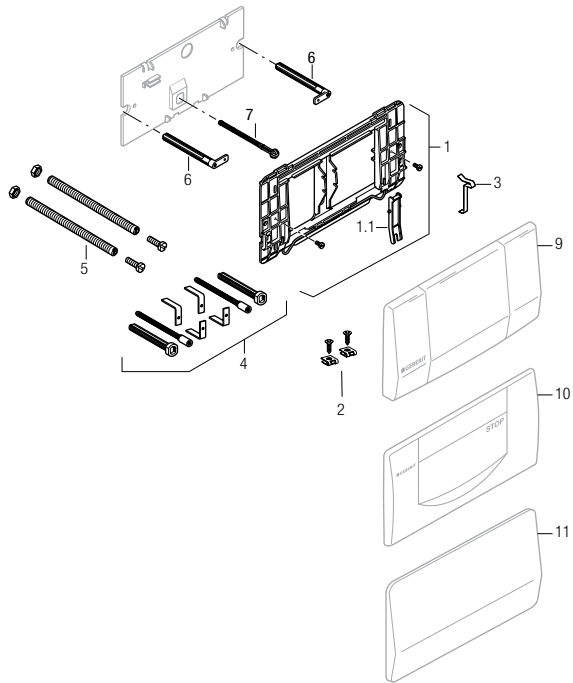
Replacement Parts

Inactive Geberit Duofix Carriers 110.816, 110.826 and 111.816

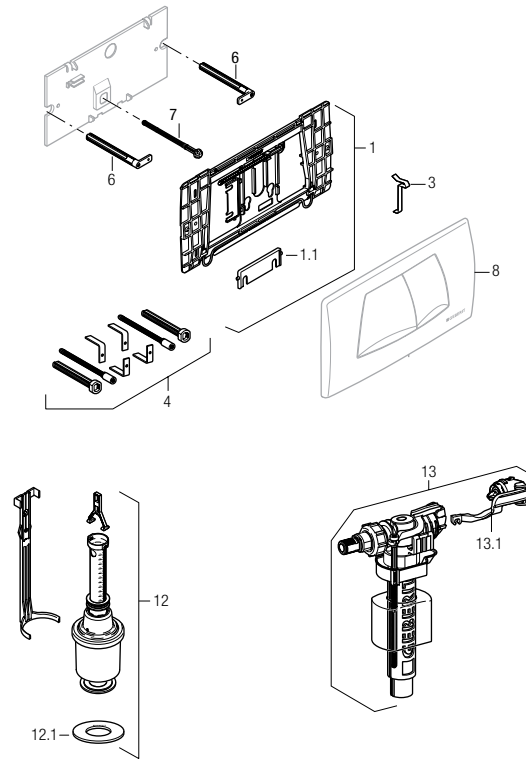



Item	Model No.	Description	List Price
	1	240.513.00.1 Mounting frame for Twinline dual flush	\$14.00
1	1	240.068.00.1 Mounting Frame for Highline	12.00
1.1	1.1	240.066.00.1 Stop-and-go lever for Highline and 200F	5.00
	1.1	240.514.00.1 Push rod locking piece for Twinline	5.00
2	2	241.877.00.1 Screw for Twist, Tango, Mambo set-2	49.00
3	3	813.514.00.1 Spring for actuator plate	2.00
4	4	240.058.00.1 Extension set for actuator flush plates	24.00
5	5	216.024.00.1 Threaded bolt (one pair) set	16.00
6	6	240.067.00.1 Actuator bolt	2.00
7	7	240.074.00.1 Actuator rod for Twinline, 200F, Highline	2.00
	8	115.888.11.1 Actuator plate Tinline dual flush, White Alpine	76.00
	8	115.888.21.1 Actuator plate Tinline dual flush, Bright Chrome	135.00
	8	115.888.46.1 Actuator plate Tinline dual flush, Matte Chrome	135.00
9		115.151.00.1 Actuator plate, Highline single flush, Brushed SS	369.00
	10	115.222.11.1 Actuator plate, 200F single flush, Alpine White	76.00
	10	115.222.21.1 Actuator plate, 200F single flush, Bright Chrome	135.00
	10	115.222.46.1 Actuator plate, 200F single flush, Matte Chrome	135.00
	11	115.398.00.1 Cover plate Tinline dual flush, Brushed SS	156.00
12	12	240.114.00.1 Flush valve universal S/G C/C	31.00
12.1	12.1	816.418.00.1 Flat gasket for flush valve	2.00
13	13	241.469.00.1 Filling valve Type 380 for Sigma, Omega and Kappa Concealed Tanks	26.00
13.1	13.1	240.771.00.1 Seal kit for filling valve Type 380	11.00

115.151 (Highline), 115.222 (200F), 115.398 (Twinline Coverplate)



115.888 (Twinline Dual Flush)



Products marked with  comply with the American Disabilities Act (ADA) when installed per the requirements of the latest ADA Accessibility Guidelines (ADAAG) and/or ICC/ANSI A117.1.

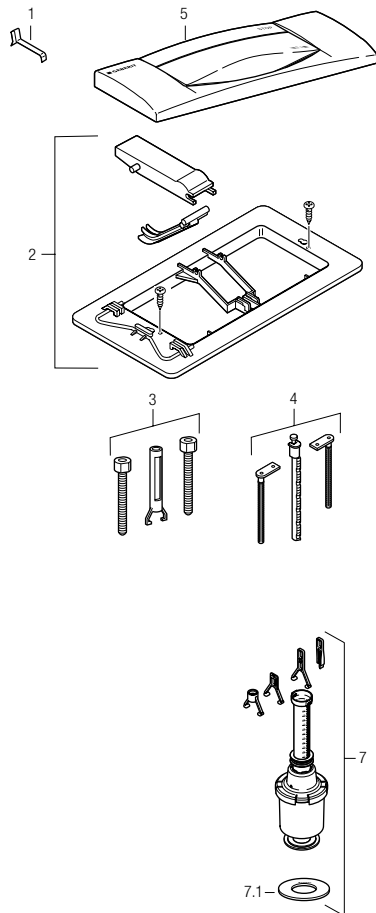
Inactive Geberit Duofix Carriers 110.816, 110.826 and 111.816 

115.333 115.394

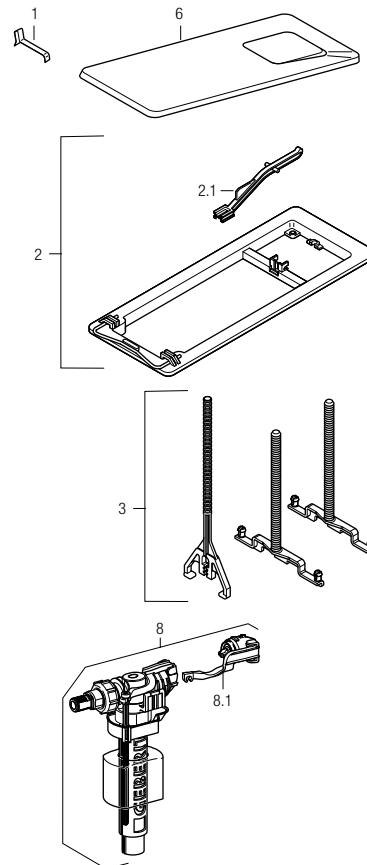



Item	Model No.		Description	List Price
1	1	813.514.00.1	Spring for actuator plate	\$2.00
2		240.322.00.1	Mounting frame	19.00
	2	240.041.00.1	Conversion set	40.00
	2.1	889.110.11.1	Rocker lever	9.00
3		240.180.00.1	Extension set for actuator plates 115.333/115.395 for finished wall from 3.50"-7.00" (9-18cm)	16.00
	3	240.087.00.1	Extension set for actuator plate 115.392/115.394	14.00
4		240.323.00.1	Actuator rod for 300T/115.392/115.394	12.00
5		115.333.11.1	300T Style, Alpine White	76.00
	6	115.394.11.1	Topline Style, Alpine White	162.00
7	7	7	240.113.00.1 Flush valve universal S/G E/C	27.00
7.1	7.1	7.1	816.418.00.1 Flat gasket for flush valve	2.00
8	8	8	241.469.00.1 Filling valve Type 380 for Sigma, Omega and Kappa Concealed Tanks	26.00
8.1	8.1	8.1	240.771.00.1 Seal kit for filling valve Type 380	11.00

115.333 (300T)



115.394 (Topline)



Products marked with  comply with the American Disabilities Act (ADA) when installed per the requirements of the latest ADA Accessibility Guidelines (ADAAG) and/or ICC/ANSI A117.1.

Replacement Parts

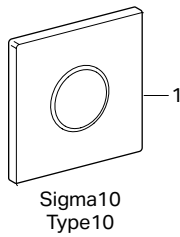
Geberit Type 50, Type 30, Type 10, Bolero and Mambo Urinal Actuators

116.015 116.017 116.016 116.012 116.013 Actuator Dimensions: 5.12" x 5.12" (13 cm x 13 cm)

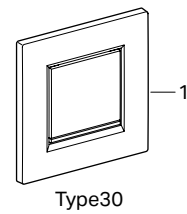


Item					Model No.	Description	List Price
1				1	241.915.SN.1	Actuator plate Type 10/Mambo, Brushed SS	\$189.00
	1				243.270.KH.1	Actuator plate Type 30, Polished Chrome-Matte Chrome-Polished Chrome	75.00
	1				243.270.KJ.1	Actuator plate Type 30, White-Polished Chrome-White	75.00
		1			242.764.11.1	Actuator plate Type 50, Alpine White	189.00
		1			242.764.GH.1	Actuator plate Type 50, Brushed Chrome	376.00
		1			242.764.SQ.1	Actuator plate Type 50, Umber Glass	189.00
		1			242.764.00.1	Actuator plate Type 50, Custom	189.00
2	2	2	2	2	241.934.00.1	Stop valve with throttle, complete	63.00
2.1	2.1	2.1	2.1	2.1	241.933.00.1	Regulating screw	21.00
3	3	3	3	3	241.937.00.1	Pneumatic actuator with mounting frame	63.00
4	4	4	4	4	241.931.00.1	Distance bolts, set	3.00
5	5	5	5	5	241.935.00.1	Pneumatic valve	138.00
5.1	5.1	5.1	5.1	5.1	241.932.00.1	Basket filter	3.00
5.2	5.2	5.2	5.2	5.2	241.936.00.1	Nozzle set, White	16.00
6	6	6	6	6	241.947.00.1	Insulation protection with connection terminal	5.00
7	7	7	7	7	242.156.00.1	Lip seal flushing pipe	3.00
8	8	8	8	8	242.484.00.1	Flow limiter for UR-controls	6.00

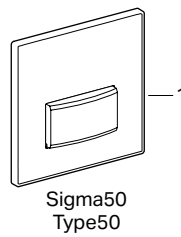
116.015



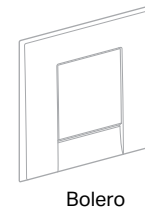
116.017



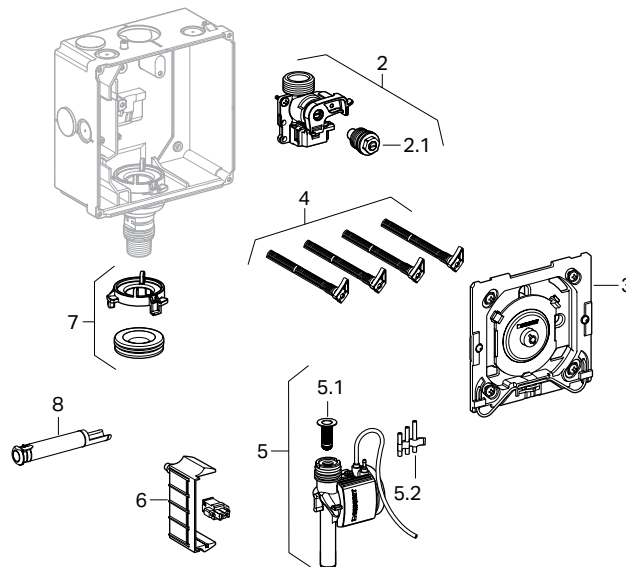
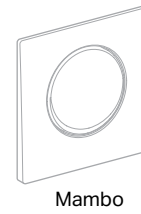
116.016




116.012



116.013



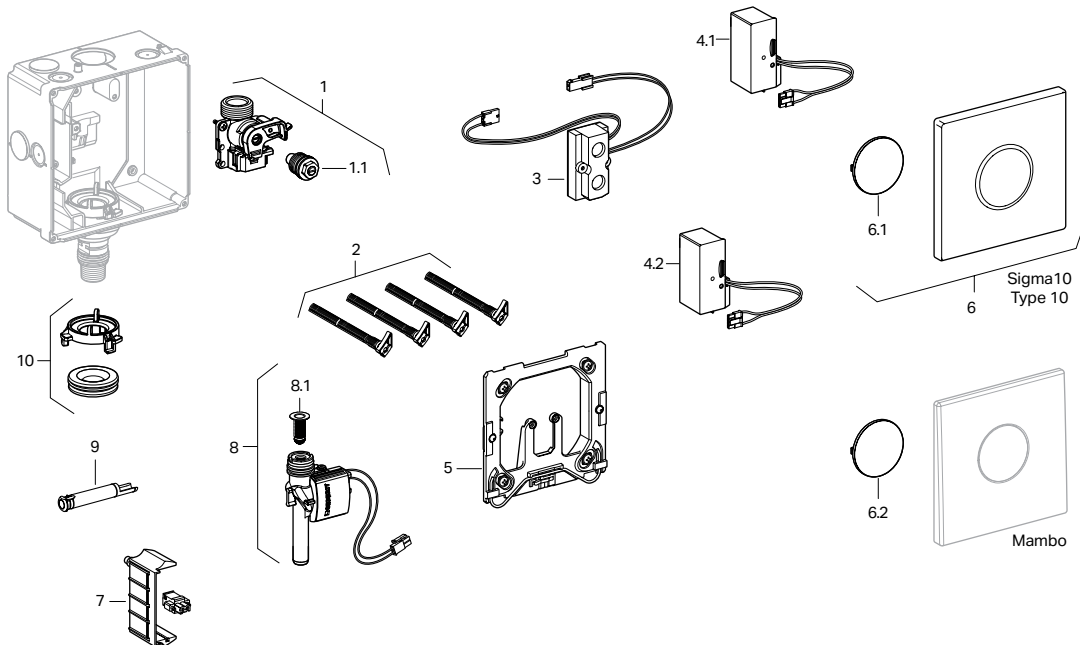
Products marked with  comply with the American Disabilities Act (ADA) when installed per the requirements of the latest ADA Accessibility Guidelines (ADAAG) and/or ICC/ANSI A117.1.


Geberit Hands-Free Type 10 and Mambo Urinal Actuator

116.035 116.025 116.033 116.023 Actuator Dimensions: 5.12" x 5.12" (13 cm x 13 cm)



Item	1	1.1	1.1	1.1	1.1	Model No.	Description	List Price
1	1	1	1	1	1	241.934.00.1	Stop valve with throttle, complete	\$63.00
1.1	1.1	1.1	1.1	1.1	1.1	241.933.00.1	Regulating screw	21.00
2	2	2	2	2	2	241.931.00.1	Distance bolts, set	3.00
3	3	3	3	3	3	241.941.00.1	Sensor electronics	282.00
4.1			4.1			241.945.00.1	Battery housing for UR-control	14.00
			4.2			241.944.00.1	Transformer for UR-control	56.00
4.3			4.3			—	2x "AA" alkaline batteries	—
5	5	5	5	5	5	241.943.00.1	Mounting frame for horizontal fixation	21.00
6	6	6	6	6	6	241.925.SN.1	Cover plate for UR-control Sigma10	189.00
6.1	6.1					241.905.00.1	IR window UR-control Sigma10	19.00
			6.2			241.903.00.1	Mambo only	19.00
7	7	7	7	7	7	241.947.00.1	Insulation protection with connection terminal	5.00
8	8	8	8	8	8	241.946.00.1	Solenoid valve for UR-control	138.00
8.1	8.1	8.1	8.1	8.1	8.1	241.932.00.1	Basket filter	3.00
9	9	9	9	9	9	242.484.00.1	Flow limiter for UR-controls	6.00
10	10	10	10	10	10	242.156.00.1	Lip seal flushing pipe	3.00



Products marked with  comply with the American Disabilities Act (ADA) when installed per the requirements of the latest ADA Accessibility Guidelines (ADAAG) and/or ICC/ANSI A117.1.

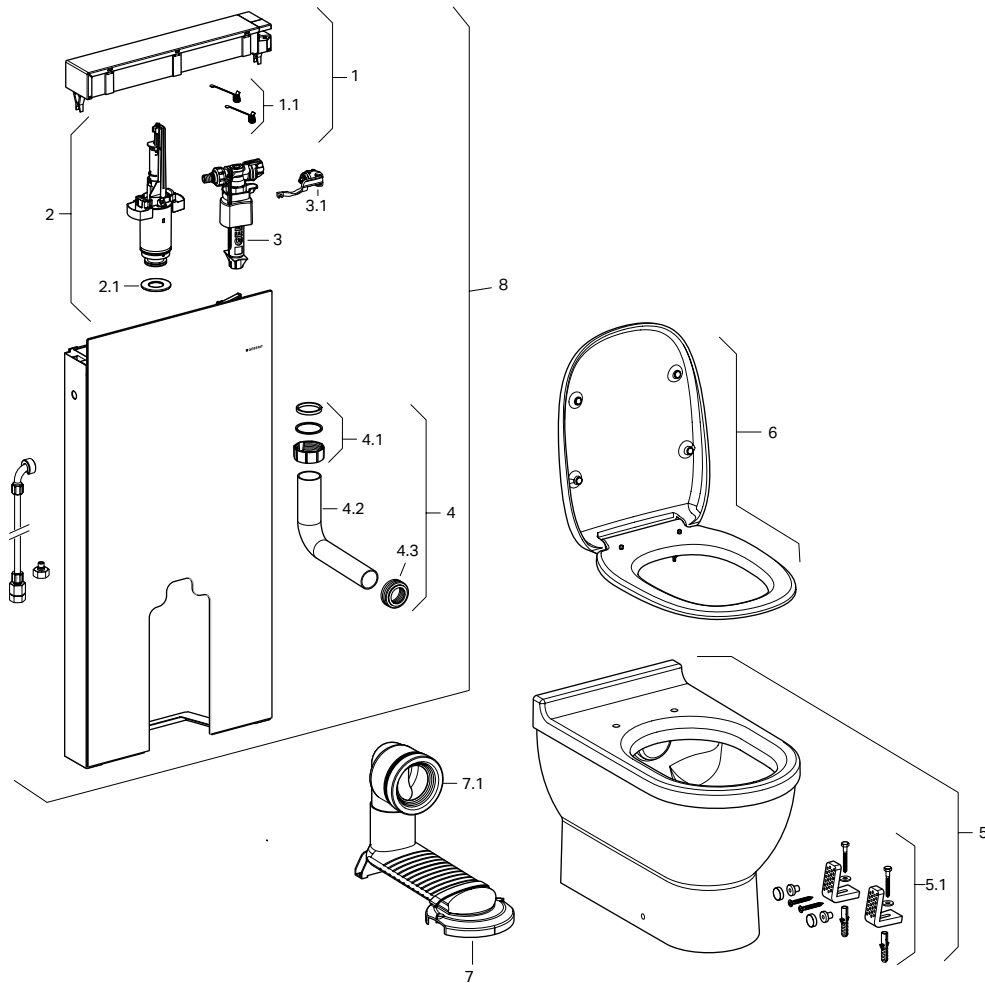
The information and pricing in this document are subject to change without notice.

Replacement Parts

Geberit Monolith for Floor-Mount Toilet

Item	Model No.	Description	List Price
1	242.743.IW.1	Dual-flush tank lid	\$41.00
1.1	242.486.00.1	Spring set for tank lid (2)	11.00
2	242.389.00.1	Flushing valve 6/3L	24.00
2.1	816.418.00.1	Flat gasket for flush valve	2.00
3	241.469.00.1	Filling valve Type 380	26.00
3.1	240.771.00.1	Seal kit for filling valve Type 380	11.00
4	242.390.11.1	Flush bend assembly	22.00
4.1	240.431.11.1	Compression nut and seal	5.00
4.2	118.006.11.1	Flush bend	15.00
4.3	119.668.00.1	Seal for supply inlet tube, EPDM	2.00

Item	Model No.	Description	List Price
5	131.128.11.1	Starck 3 elongated ceramic bowl for Monolith, Duravit 215809	\$423.00
5.1	242.745.00.1	Mounting hardware set for Starck 3 ceramic bowl	10.00
6	131.142.11.1	Starck 3 elongated seat and lid, Duravit 006332	100.00
7	131.127.29.1	Connection set w/S-bend ABS AB20-40	44.00
7.1	152.424.00.1	Seal for toilet outlet connector, EPDM	3.00
8	131.126.SF.1	Monolith Module, White Glass	311.00
	131.126.SG.1	Monolith Module, Black Glass	311.00


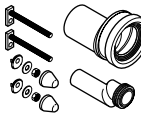



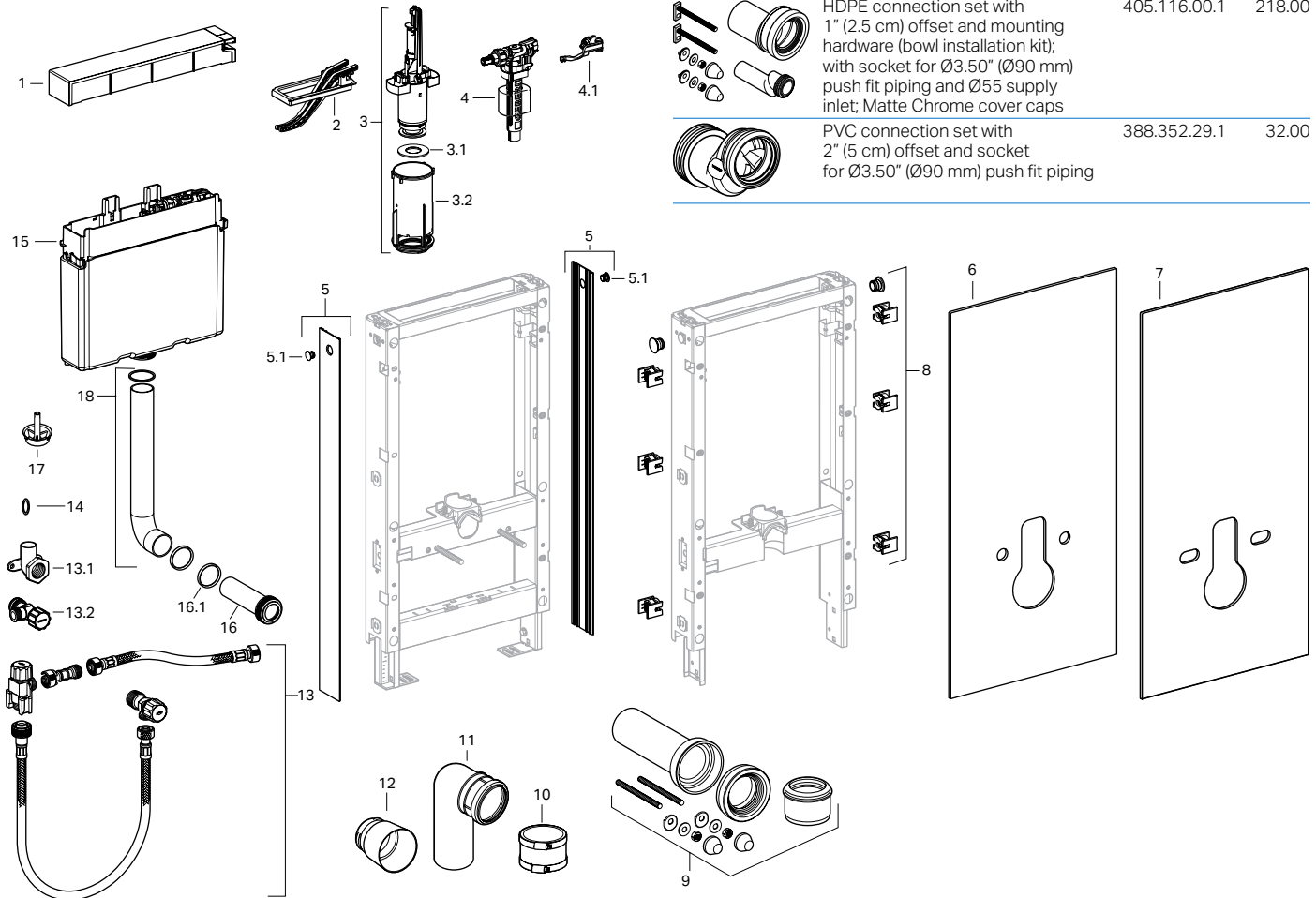
Geberit Monolith Module 2.0

Item	Model No.	Description	List Price
1	243.440.TA.1	Dual-flush tank lid	\$122.00
2	242.387.00.1	Dual-flush lever	8.00
3	242.389.00.1	Flush valve 6/3L	24.00
3.1	816.418.00.1	Flat gasket for flush valve	2.00
3.2	243.293.00.1	Basket	5.00
4	241.469.00.1	Filling valve Type 380	26.00
4.1	240.771.00.1	Seal kit for filling valve Type 380	11.00
5	243.443.TA.1	Side cladding set, Brushed Aluminum (until 03/31/17)	110.00
5.1	243.042.JF.1	Side casing cover	12.00
6	242.383.SI.1	Front glass cladding, 7.09" (180 mm) centers, White Glass	251.00
6	242.383.SJ.1	Front glass cladding, 7.09" (180 mm) centers, Black Glass	251.00
6	242.383.SQ.1	Front glass cladding, 7.09" (180 mm) centers, Umber Glass	251.00
6	242.383.TG.1	Front glass cladding, 7.09" (180 mm) centers, Sand Glass	251.00
7	242.530.SI.1	Front glass cladding, 7.09"/9.06" (180/230 mm) centers, White Glass	251.00
7	242.530.SJ.1	Front glass cladding, 7.09"/9.06" (180/230 mm) centers, Black Glass	251.00
7	242.530.SQ.1	Front glass cladding, 7.09"/9.06" (180/230 mm) centers, Umber Glass	251.00
7	242.530.TG.1	Front glass cladding, 7.09"/9.06" (180/230 mm) centers, Sand Glass	251.00
8	242.480.00.1	Mounting hardware set for glass cladding	17.00

Item	Model No.	Description	List Price
9	131.084.16.1	Connection set	\$24.00
10	—	Flexible coupling FERNCO 3005-33	—
11	366.061.16.1	HDPE waste fitting outlet bend, 1 x 90° bend with socket for Ø3.50" (Ø90 mm) push fit piping and Ø3.50" (Ø90 mm) outlet	22.00
12	366.820.92.1	Protection plug, plastic	4.00
13	131.013.00.1	SS braided supply hose and fittings	64.00
13.1	240.851.00.1	Drop ear elbow, copper	11.00
13.2	240.853.00.1	Supply angle stop (black handle)	14.00
14	241.487.00.1	O-ring of EPDM reinforced braided hose	14.00
15	243.446.00.1	Tank (complete)	251.00
16	152.434.06.1	Flush pipe	28.00
16.1	362.771.00.1	Ring seal	2.00
17	240.344.00.1	Damming device	5.00
18	243.442.00.1	Flushbend (complete)	22.00
19	243.444.JF.1	Bottom cover (not shown)	24.00
20	243.445.JF.1	Bottom cover (not shown)	24.00
21	243.447.JF.1	Elongated side part (not shown)	12.00

Optional Accessories

Description	Model No.	List Price
Bowl Connection Sets and Accessories		
 PP connection set with 1" (2.5 cm) offset and socket for Ø3.50" (Ø90 mm) push fit piping. Order with 405.116.00.1 for hardware (bowl installation kit) and Ø55 offset supply inlet	131.085.11.1	\$20.00
 HDPE connection set with 1" (2.5 cm) offset and mounting hardware (bowl installation kit); with socket for Ø3.50" (Ø90 mm) push fit piping and Ø55 supply inlet; Matte Chrome cover caps	405.116.00.1	218.00
 PVC connection set with 2" (5 cm) offset and socket for Ø3.50" (Ø90 mm) push fit piping	388.352.29.1	32.00

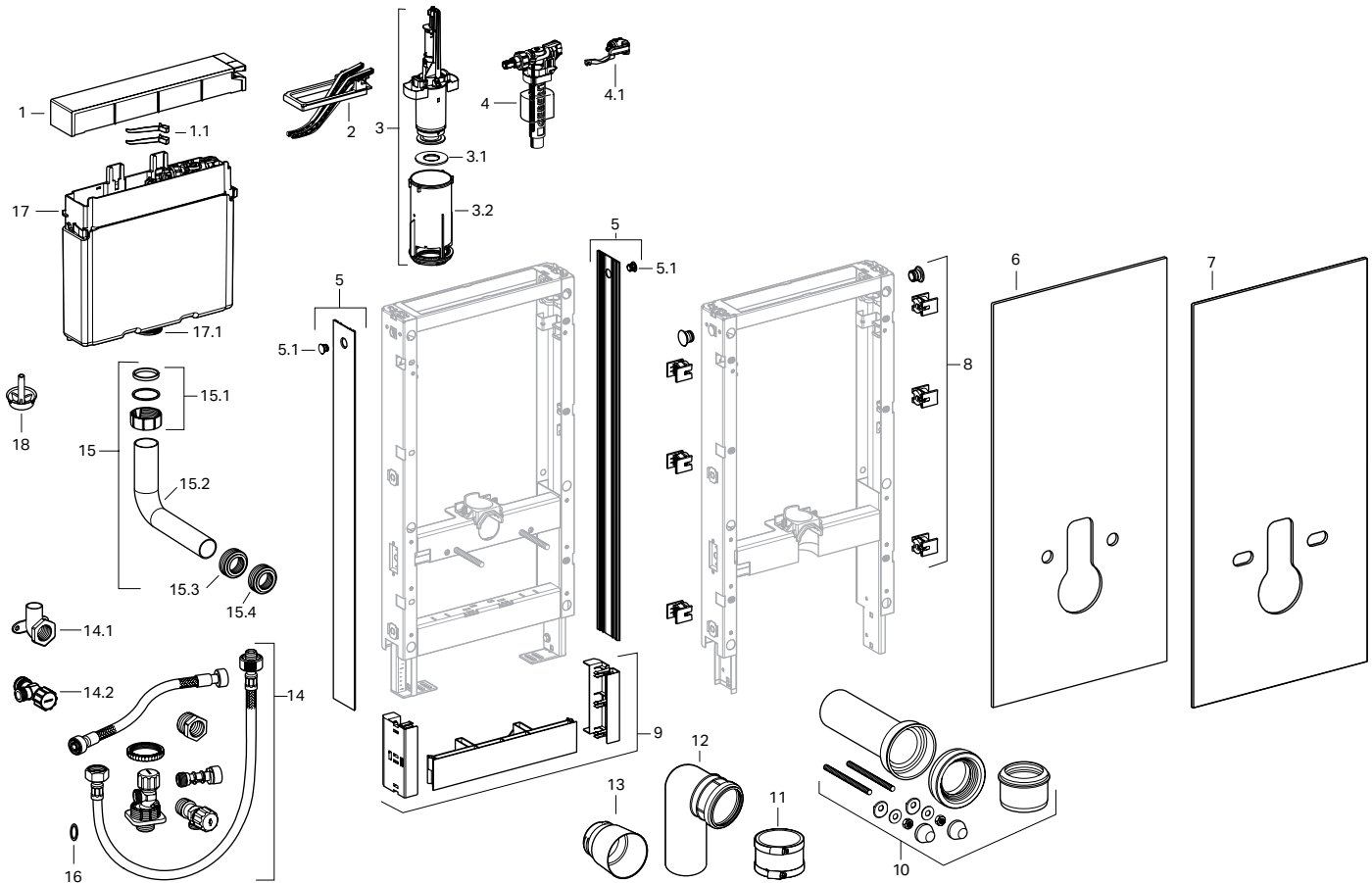


Replacement Parts

Inactive Geberit Monolith Module 1.0

Item	Model No.	Description	List Price
1	242.386.TA.1	Dual-flush tank lid	\$122.00
1.1	242.486.00.1	Spring set for tank lid (2)	11.00
2	242.387.00.1	Dual-flush lever	8.00
3	242.389.00.1	Flush valve 6/3L	24.00
3.1	816.418.00.1	Flat gasket for flush valve	2.00
3.2	243.293.00.1	Basket	5.00
4	241.469.00.1	Filling valve Type 380*	26.00
4.1	240.771.00.1	Seal kit for filling valve Type 380	11.00
5	242.385.TA.1	Side cladding set, brushed aluminum (until 03/31/17)	110.00
5.1	243.042.16.1	Side casing cover	12.00
6	242.383.SI.1	Front glass cladding, 7.09" (180 mm) centers, White Glass	251.00
6	242.383.SJ.1	Front glass cladding, 7.09" (180 mm) centers, Black Glass	251.00
6	242.383.SQ.1	Front glass cladding, 7.09" (180 mm) centers, Umber Glass	251.00
7	242.530.SI.1	Front glass cladding, 7.09"/9.06" (180/230 mm) centers, White Glass	251.00
7	242.530.SJ.1	Front glass cladding, 7.09"/9.06" (180/230 mm) centers, Black Glass	251.00
7	242.530.SQ.1	Front glass cladding, 7.09"/9.06" (180/230 mm) centers, Umber Glass	251.00

Item	Model No.	Description	List Price
8	242.480.00.1	Mounting hardware set for glass cladding	\$17.00
9	242.391.94.1	Base parts	28.00
10	131.084.16.1	Connection set	24.00
11	—	Flexible coupling FERNCO 3005-33	—
12	366.061.16.1	HDPE waste fitting outlet bend, 1 x 90° bend with socket for Ø3.50" (Ø90 mm) push fit piping and Ø3.50" (Ø90 mm) outlet	22.00
13	366.820.92.1	Protection plug, plastic	4.00
14	131.074.00.1	SS braided supply hose and fittings	62.00
14.1	240.851.00.1	Drop ear elbow, copper	11.00
14.2	240.853.00.1	Supply angle Stop (black handle)	14.00
15	242.390.11.1	Flush bend	22.00
15.1	240.431.11.1	Compression nut and seal	5.00
15.2	118.003.11.1	Flush bend	7.00
15.3	119.668.00.1	Seal for supply inlet tube, EPDM	2.00
15.4	—	Seal for supply inlet (discard) (66mm)	—
16	241.487.00.1	O-ring of EPDM reinforced braided hose	14.00
17	243.437.00.1	Tank (complete)	140.00
17.1	243.438.00.1	Flush pipe connector (until 03/31/17)	22.00
18	240.344.00.1	Damming device	5.00
19	243.439.00.1	Cover (not shown)	37.00

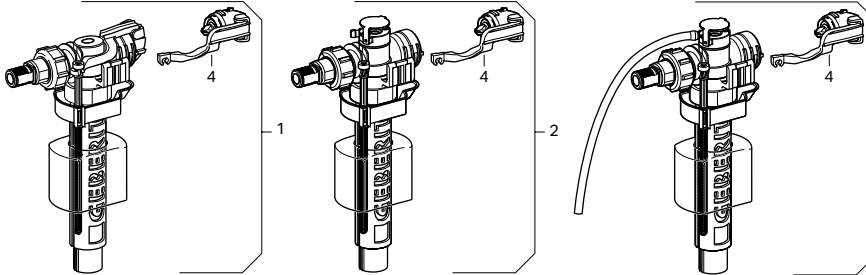


Replacement Parts

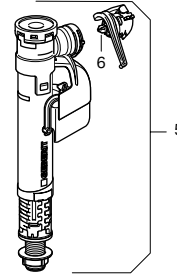
Geberit Filling Valves Type 380 and Type 360

Item	Model No.	Description	List Price
1	240.700.00.1	Filling valve Type 380 for exposed tanks (replacement)	\$26.00
2	241.469.00.1	Filling valve Type 380 for concealed tanks	26.00
3	241.470.00.1	Filling valve Type 380 for tanks w/refill (replacement)	29.00
4	240.771.00.1	Seal kit for filling valve Type 380	11.00
5	271.227.00.1	Filling valve Type 360 15/16" UNF w/o refill for exposed tanks (replacement)	55.00
6	241.813.00.1	Seal kit for filling valve Type 360	11.00

Filling Valve Type 380



Filling Valve Type 360



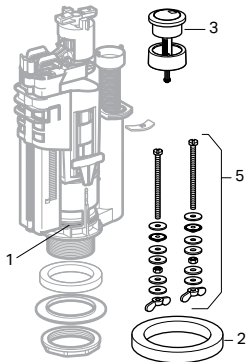
Geberit Flushing Valves Type 290, 280 and Type 250

Item	Model No.	Description	List Price
1	816.418.00.1	Flat gasket for flush valve	\$2.00
2	813.812.00.1	Gasket	9.00
	241.800.KD.1	Flushing valve Type 280 actuator button, dual-flush	14.00
	241.820.21.1	Flushing valve Type 280 actuator button, single-flush	12.00
5	217.869.00.1	Hardware kit	5.00
6	282.350.21.2	Flushing valve Type 290, dual-flush	79.00
	282.050.21.2	Flushing valve Type 290, single-flush	62.00

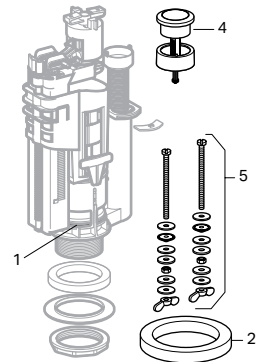
Note: Type 50 formerly called Impuls and Twico.

† For Flushing valve Type 250, the only spare part available is item #1. If other parts are needed, a complete Flushing valve Type 290 (item #6) must be ordered.

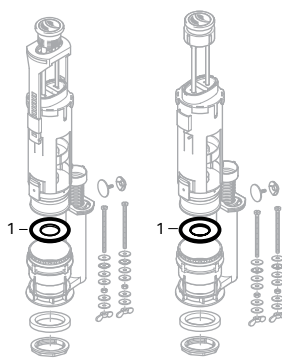
Flushing Valve Type 280 Dual-flush



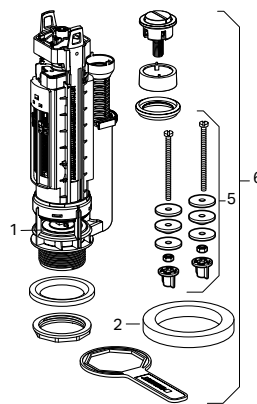
Flushing Valve Type 280 Single-flush



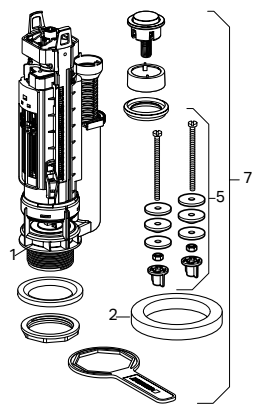
Flushing Valve Type 250† Dual-flush



Flushing Valve Type 290 Dual-flush



Flushing Valve Type 290 Single-flush



Replacement Parts

Replacement Parts and Kits (See page 65 for Item drawings)

Item	Description	Model No.	List Price
1	TurnControl Overflow/Drain Service Kit	242.767.00.1	\$28.00
2	Brass Tee Assembly	—	—
3	Chicago Code Brass Tee Assembly	241.766.00.1	54.00
4	PushControl Overflow/Drain Service Kit	242.768.00.1	17.00
5	PushControl Trim Service Kits		
	Metal Polished Chrome	241.726.21.1	112.00
	ForeverShine™ PVD Brushed Nickel	241.726.ID.1	163.00
	Plastic Polished Chrome	241.725.21.1	71.00
6	Cascading Tub Filler Service Kit	242.769.00.1	17.00
7	Check Valve Kit	240.736.00.1	8.00
8	Cascading Tub Filler Trim Service Kits		
	Metal Polished Chrome	242.776.00.1	42.00
	ForeverShine™ PVD Brass	242.776.GG.1*	46.00
	ForeverShine™ PVD Brushed Nickel	242.776.ID.1†	66.00
8.1	Stream Former Kit	—	—
9	Vacuum Breaker WATTS Model No. 288A	—	—
10	See TurnControl Traditional Metal Handles table below		
12	See TurnControl Traditional Plastic Handles table in next column		
14	See Plunger Assemblies table in next column		
15	TurnControl Handle/Plunger Service Kit	242.777.00.1	18.00

TurnControl Metal Handles (See page 65 for Item drawings)

Finish	Item No. 10 Traditional Model No.	List Price
Polished Chrome	240.702.21.1	\$61.00
Hard Coat Oil Rubbed Bronze	240.702.HM.1	112.00
ForeverShine™ PVD Polished Nickel	240.702.IB.1	96.00
ForeverShine™ PVD Brushed Nickel	240.702.ID.1	96.00
Gold	240.702.45.1†	117.00
Unfinished Brass	240.702.50.1	77.00
Antique Brass	240.702.97.1	87.00
Old Silver Pewter	240.702.98.1	87.00
Satin Brass	240.702.CH.1*	87.00
Black	240.702.EK.1*	102.00
Satin Chrome	240.702.FT.1*	87.00
ForeverShine™ PVD Brass	240.702.GG.1*	87.00
ForeverShine™ PVD Pearl Nickel	240.702.HD.1	102.00
ForeverShine™ PVD Satin Sheen	240.702.HI.1	87.00
ForeverShine™ PVD Platinum	240.702.HJ.1	102.00

TurnControl Plastic Handles (See page 65 for Item drawings)

Finish	Item No. 12 Traditional Model No.	List Price
Alpine White	241.628.11.1	\$41.00
Gold	241.628.45.1†	82.00
Polished Chrome	241.628.21.1	41.00
Bone	241.628.AA.1	41.00
White	241.628.DY.1	41.00
Biscuit	241.628.FF.1	41.00
ForeverShine™ PVD Brass	241.628.GG.1	82.00

Plunger Assemblies (See page 65 for Item drawings)

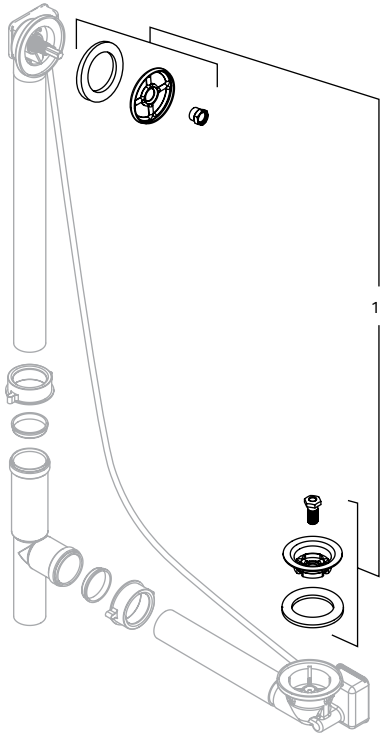
Item	Description	Model No.	List Price
14	Metal Polished Chrome	241.728.21.1	\$31.00
	Gold	241.728.45.1†	51.00
	Antique Brass	241.728.97.1	37.00
	Old Silver Pewter	241.728.98.1	37.00
	Satin Brass	241.728.CH.1*	37.00
	Black	241.728.EK.1*	43.00
	Satin Chrome	241.728.FT.1*	37.00
	ForeverShine™ PVD Brass	241.728.GG.1*	37.00
	ForeverShine™ PVD Pearl Nickel	241.728.HD.1	43.00
	ForeverShine™ PVD Satin Sheen	241.728.HI.1	37.00
	ForeverShine™ PVD Platinum	241.728.HJ.1	43.00
	Hard Coat Oil Rubbed Bronze	241.728.HM.1	56.00
	ForeverShine™ PVD Polished Nickel	241.728.IB.1	41.00
	ForeverShine™ PVD Brushed Nickel	241.728.ID.1	41.00
	Plastic Alpine White	241.727.11.1	26.00
	Polished Chrome	241.727.21.1	31.00
	Gold	241.727.45.1†	51.00
	Bone	241.727.AA.1	26.00
	White	241.727.DY.1	26.00
	Biscuit	241.727.FF.1	26.00
	ForeverShine™ PVD Brass	241.727.GG.1*	37.00

Note: ForeverShine™ finishes ensure the quality and look of your Geberit BWO will last a lifetime. Geberit offers a limited lifetime warranty on ForeverShine™ products installed in residential applications.

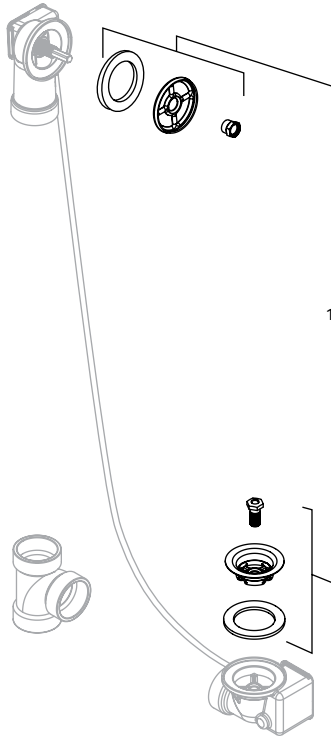
* Finish available only from participating tub manufacturers.

† Until 01/31/2018

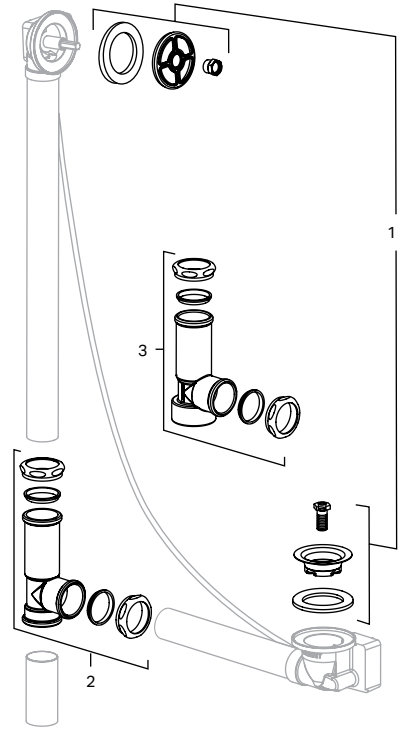
Tubular Plastic



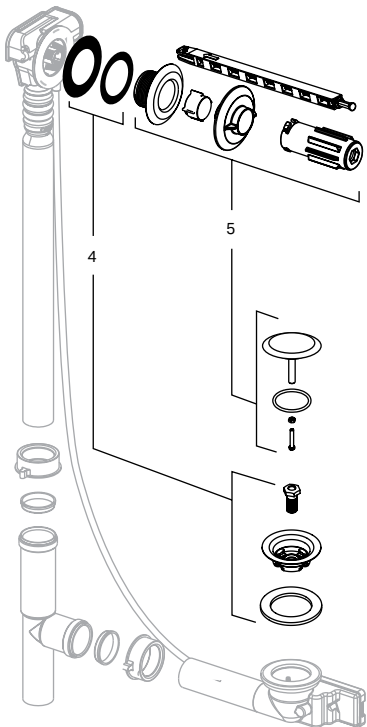
ABS/PVC



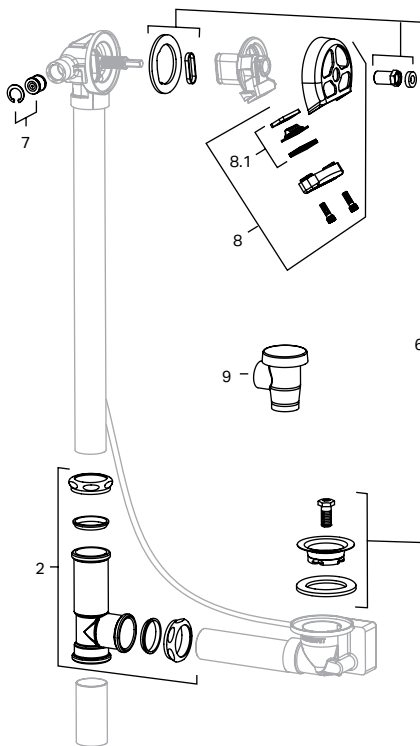
Tubular Brass



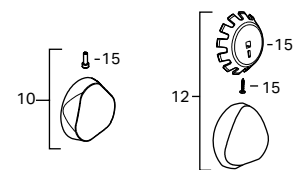
PushControl



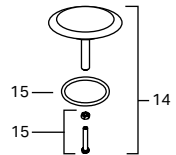
Cascading Tub Filler



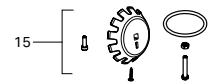
TurnControl Handle Parts



Plungers Parts



Replacement Parts Kit



Index

Model No.	List Price	Page	Model No.	List Price	Page	Model No.	List Price	Page
109.304.00.5	381.00	14	115.620.SJ.1	612.00	6, 14	115.882.SN.1	252.00	6, 8, 14
111.012.00.1	557.00	10	115.620.SQ.1	612.00	6, 14	115.883.KH.1	210.00	6, 8, 14
111.013.00.1	22.00	17	115.625.00.1	523.00	8	115.883.KJ.1	131.00	6, 8, 14
111.335.00.5	519.00	6	115.625.FW.1	694.00	8	115.883.KK.1	170.00	6, 8, 14
111.490.00.1	256.00	12	115.625.SI.1	612.00	8	115.883.KL.1	170.00	6, 8, 14
111.520.00.1	557.00	12	115.625.SJ.1	612.00	8	115.883.KM.1	170.00	6, 8, 14
111.524.00.1	557.00	12	115.625.SQ.1	612.00	8	115.883.KN.1	210.00	6, 8, 14
111.625.00.1	557.00	11	115.630.FW.1	782.00	7, 15	115.888.11.1	76.00	56
111.798.00.1	646.00	8	115.630.SI.1	664.00	7, 15	115.888.21.1	135.00	56
111.815.00.1	34.00	17	115.630.SJ.1	664.00	7, 15	115.888.46.1	135.00	56
111.835.00.1	34.00	17	115.630.SQ.1	664.00	7, 15	115.889.ID.1	290.00	6, 8, 14
111.847.00.1	44.00	17	115.635.FW.1	782.00	9	115.889.SN.1	290.00	6, 8, 14
111.863.00.1	490.00	17	115.635.SI.1	664.00	9	115.890.SN.5	858.00	7, 14
111.867.00.1	65.00	17	115.635.SJ.1	664.00	9	115.891.SN.5	858.00	7, 14
111.868.00.1	111.00	17	115.635.SQ.1	664.00	9	115.893.45.1	594.00	6, 8, 14
111.869.00.1	34.00	17	115.640.GH.1	618.00	6, 8, 14	115.893.KJ.1	246.00	6, 8, 14
111.887.00.1	14.00	17	115.640.SI.1	618.00	6, 8, 14	115.893.KX.1	361.00	6, 8, 14
111.892.00.1	6.00	32, 33, 34, 35, 36, 37, 38, 39	115.640.SJ.1	618.00	6, 8, 14	115.893.KY.1	361.00	6, 8, 14
115.080.KH.1	260.00	10	115.640.SQ.1	618.00	6, 8, 14	115.932.GH.1	243.00	7, 10, 15
115.080.KJ.1	192.00	10	115.641.21.1	160.00	6, 8, 14	115.932.KA.1	154.00	7, 10, 15
115.080.KK.1	212.00	10	115.641.GH.1	160.00	6, 8, 14	115.934.21.1	154.00	7, 10, 15
115.080.KL.1	212.00	10	115.680.11.1	94.00	55	116.015.SN.1	370.00	11
115.080.KM.1	212.00	10	115.680.21.1	127.00	55	116.016.00.5	543.00	11
115.080.KN.1	260.00	10	115.696.00.1	205.00	9	116.016.11.5	543.00	11
115.081.GH.1	758.00	10	115.697.00.1	258.00	9	116.016.DW.5	543.00	11
115.081.SI.1	758.00	10	115.698.00.1	205.00	7, 15	116.016.GH.5	751.00	11
115.081.SJ.1	758.00	10	115.699.00.1	258.00	7, 15	116.016.SQ.5	632.00	11
115.081.SQ.1	758.00	10	115.758.KH.5	187.00	6, 8, 14	116.017.KH.1	370.00	11
115.082.00.1	205.00	10	115.758.KJ.5	130.00	6, 8, 14	116.017.KJ.1	370.00	11
115.082.SI.1	164.00	10	115.758.KK.5	371.00	6, 8, 14	116.025.SN.1	858.00	11
115.084.FW.1	782.00	10	115.758.KL.5	159.00	6, 8, 14	116.035.SN.1	858.00	11
115.084.SI.1	664.00	10	115.758.KM.5	159.00	6, 8, 14	116.040.11.1	101.00	7, 10, 15
115.084.SJ.1	664.00	10	115.758.KN.5	187.00	6, 8, 14	116.040.21.1	119.00	7, 10, 15
115.084.SQ.1	664.00	10	115.758.SN.5	252.00	6, 8, 14	116.041.11.1	101.00	9
115.085.KH.1	260.00	10	115.764.FW.1	164.00	7, 9, 15	116.041.21.1	119.00	9
115.085.KJ.1	192.00	10	115.766.00.1	164.00	7, 9, 15	116.042.11.1	119.00	7, 10, 15
115.085.KK.1	212.00	10	115.766.SI.1	205.00	7, 9, 15	116.042.21.1	154.00	7, 10, 15
115.085.KL.1	212.00	10	115.768.11.1	71.00	7, 9, 15	116.043.11.1	119.00	9
115.085.KM.1	212.00	10	115.768.21.1	94.00	7, 9, 15	116.043.21.1	154.00	9
115.085.KN.1	260.00	10	115.768.46.1	94.00	7, 9, 15	116.044.11.1	119.00	7, 10, 15
115.086.21.1	160.00	10	115.770.11.5	89.00	6, 8, 14	116.045.11.1	119.00	9
115.086.GH.1	160.00	10	115.770.21.5	121.00	6, 8, 14	116.050.11.1	119.00	7, 10, 15
115.087.00.1	205.00	10	115.770.46.5	121.00	6, 8, 14	116.050.21.1	154.00	7, 10, 15
115.088.00.1	258.00	10	115.787.SN.5	286.00	6, 8, 14	116.050.46.1	154.00	7, 10, 15
115.151.00.1	369.00	56	115.788.00.5	366.00	6, 8, 14	116.055.KH.1	170.00	7, 10, 15
115.222.11.1	76.00	56	115.788.11.5	366.00	6, 8, 14	116.055.KJ.1	154.00	7, 10, 15
115.222.21.1	135.00	56	115.788.21.5	472.00	6, 8, 14	116.056.KH.1	170.00	9
115.222.46.1	135.00	56	115.788.DW.5	366.00	6, 8, 14	116.056.KJ.1	154.00	9
115.228.11.1	107.00	55	115.788.GH.5	472.00	6, 8, 14	116.057.KH.1	170.00	7, 10, 15
115.228.21.1	144.00	55	115.788.SD.5	472.00	6, 8, 14	116.057.KJ.1	154.00	7, 10, 15
115.228.46.1	144.00	55	115.788.SE.5	472.00	6, 8, 14	116.090.SG.1	1448.00	7, 14
115.258.00.1	256.00	55	115.788.SQ.5	472.00	6, 8, 14	116.090.SM.1	1448.00	7, 14
115.260.11.1	256.00	55	115.796.GH.1	427.00	43	116.092.SG.1	1448.00	9
115.260.21.1	256.00	55	115.856.SN.1	858.00	9	116.092.SM.1	1448.00	9
115.260.31.1	256.00	55	115.861.00.1	145.00	7, 9, 14, 46	118.003.11.1	7.00	62
115.333.11.1	76.00	57	115.882.ID.1	251.00	6, 8, 14	118.006.11.1	15.00	60
115.394.11.1	162.00	57	115.882.KH.1	187.00	6, 8, 14	119.668.00.1	2.00	32, 33, 34, 35, 36, 40, 60, 62
115.398.00.1	156.00	56	115.882.KJ.1	129.00	6, 8, 14	119.669.00.1	3.00	37
115.620.00.1	523.00	6, 14	115.882.KK.1	595.00	6, 8, 14	131.013.00.1	64.00	61
115.620.FW.1	694.00	6, 14	115.882.KL.1	159.00	6, 8, 14	131.028.SI.5	1340.00	22
115.620.SI.1	612.00	6, 14	115.882.KM.1	159.00	6, 8, 14	131.028.SJ.5	1340.00	22
			115.882.KN.1	187.00	6, 8, 14			

Model No.	List Price	Page	Model No.	List Price	Page	Model No.	List Price	Page
131.028.SQ.5	1340.00	22	151.603.ID.1	287.00	30	240.622.00.1	14.00	32, 40
131.028.TG.5	1340.00	22	151.604.21.1	189.00	30	240.629.00.1	21.00	35, 36
131.074.00.1	62.00	62	151.605.21.1	247.00	30	240.637.00.1	35.00	36
131.084.16.1	24.00	61, 62	151.605.ID.1	302.00	30	240.638.00.1	24.00	36
131.085.11.1	20.00	61	152.404.11.1	42.00	16	240.639.00.1	6.00	55
131.126.SF.1	311.00	60	152.404.46.1	42.00	32, 33, 34, 35, 36, 40	240.646.00.1	11.00	55
131.126.SG.1	311.00	60	152.424.00.1	3.00	32, 33, 34, 35, 36, 40, 60	240.691.00.1	28.00	29
131.127.29.1	44.00	15, 60	152.434.06.1	28.00	61	240.698.00.1	40.00	41
131.128.11.1	423.00	15, 60	152.438.46.1	54.00	16	240.700.00.1	26.00	63
131.142.11.1	100.00	15, 60	152.489.16.1	27.00	37	240.702.21.1	61.00	64
131.144.SF.1	867.00	22	152.647.00.1	111.00	18	240.702.45.1†	117.00	64
131.144.SG.1	867.00	22	152.682.00.1	3.00	38, 39	240.702.50.1	77.00	64
150.156.21.1	139.00	28	152.693.00.1	3.00	37	240.702.97.1	87.00	64
150.156.DY.1	144.00	28	152.796.00.1	3.00	39	240.702.98.1	87.00	64
150.156.FF.1	144.00	28	152.950.11.1	35.00	16, 37	240.702.CH.1*	87.00	64
150.176.ID.1	237.00	28	152.951.11.1	35.00	16	240.702.EK.1*	102.00	64
150.183.00.1	111.00	28	156.050.00.1	18.00	16	240.702.FT.1*	87.00	64
150.184.00.1	123.00	28	216.024.00.1	16.00	56	240.702.GG.1*	87.00	64
151.450.00.1	355.00	28	216.179.00.1	3.00	33, 34	240.702.HD.1	102.00	64
151.460.00.1	355.00	28	217.713.11.1	7.00	16	240.702.HI.1	87.00	64
151.466.21.1	899.00	30	217.713.46.1	7.00	32, 33, 34, 35, 36, 38, 40	240.702.HJ.1	102.00	64
151.467.21.1	899.00	30	217.869.00.1	5.00	63	240.702.HM.1	112.00	64
151.468.21.1	899.00	30	240.004.00.1	19.00	51	240.702.IB.1	96.00	64
151.501.00.1	71.00	28	240.027.46.1	6.00	37	240.702.ID.1	96.00	64
151.502.00.1	71.00	28	240.041.00.1	40.00	57	240.736.00.1	8.00	64
151.503.00.1	71.00	28	240.058.00.1	24.00	56	240.771.00.1	11.00	32, 33, 34, 35, 36, 40, 56, 57, 60, 61, 62, 63
151.504.00.1	76.00	28	240.066.00.1	5.00	56	240.794.00.1	6.00	51
151.505.00.1	76.00	28	240.067.00.1	2.00	56	240.839.00.1	57.00	17
151.506.00.1	76.00	28	240.068.00.1	12.00	56	240.847.00.1	25.00	33, 34
151.508.00.1	83.00	28	240.074.00.1	2.00	56	240.851.00.1	11.00	32, 33, 34, 36, 40, 61, 62
151.510.00.1	83.00	28	240.087.00.1	14.00	57	240.853.00.1	14.00	32, 36, 40, 61, 62
151.511.00.1	83.00	28	240.113.00.1	27.00	57	240.921.00.1	14.00	32, 40
151.512.00.1	98.00	28	240.114.00.1	31.00	56	240.922.00.1	9.00	32, 33, 34, 35, 36, 40
151.513.00.1	98.00	28	240.172.00.1	24.00	36	240.923.00.1	6.00	32, 40
151.514.00.1	98.00	28	240.180.00.1	16.00	57	240.938.00.1	22.00	16, 41, 42, 52, 54, 55
151.515.00.1	112.00	28	240.189.00.1	4.00	32, 33, 34, 35, 36, 38	241.009.00.1	9.00	39
151.516.00.1	112.00	28	240.269.00.1	17.00	32, 35, 36	241.059.00.1	14.00	39
151.517.00.1	112.00	28	240.298.00.1	13.00	32, 33, 34, 35, 36	241.066.00.1	14.00	38
151.518.00.1	174.00	28	240.306.00.1	2.00	38	241.067.16.1	12.00	38, 39
151.519.00.1	174.00	28	240.315.00.1	24.00	37	241.093.00.1	16.00	42, 52
151.520.00.1	174.00	28	240.322.00.1	19.00	57	241.149.00.1	110.00	45, 46
151.550.11.1	60.00	29	240.323.00.1	12.00	57	241.150.00.1	159.00	45, 46
151.550.21.1	60.00	29	240.344.00.1	5.00	61, 62	241.161.00.1	11.00	45, 46
151.550.AA.1	66.00	29	240.347.00.1	4.00	32, 33, 34, 35, 36	241.167.00.1	9.00	32, 33, 34, 35, 36, 40
151.550.DY.1	66.00	29	240.431.11.1	5.00	60, 62	241.199.11.1	49.00	51
151.550.FF.1	66.00	29	240.513.00.1	14.00	56	241.199.21.1	54.00	51
151.550.GG.1*	—00	29	240.514.00.1	5.00	56	241.286.00.1	5.00	34
151.551.21.1	98.00	29	240.533.00.1	12.00	36	241.290.00.1	33.00	33, 34
151.551.97.1	141.00	29	240.571.11.1	45.00	50	241.291.00.1	2.00	33, 34
151.551.98.1	141.00	29	240.571.KA.1	63.00	50	241.292.00.1	5.00	33, 34
151.551.CH.1*	—00	29	240.572.11.1	49.00	50	241.293.00.1	4.00	33, 34
151.551.EK.1*	—00	29	240.572.KA.1	80.00	50	241.295.00.1	9.00	41, 55
151.551.FT.1*	—00	29	240.573.00.1	19.00	47, 50, 51	241.302.00.1	13.00	45, 46
151.551.GG.1*	—00	29	240.574.00.1	24.00	47, 50, 51	241.303.00.1	9.00	46
151.551.HD.1	161.00	29	240.575.00.1	6.00	47, 50, 51	241.413.21.1	77.00	51
151.551.HI.1	141.00	29	240.582.00.1	19.00	50			
151.551.HJ.1	161.00	29						
151.551.HM.1	155.00	29						
151.551.IB.1	150.00	29						
151.551.ID.1	150.00	29						
151.602.21.1	174.00	30						
151.603.21.1	229.00	30						

Index (continued)

Model No.	List Price	Page	Model No.	List Price	Page	Model No.	List Price	Page
241.469.00.1	26.00	32, 33, 34, 35, 36, 40, 56, 57, 60, 61, 62, 63	241.874.00.1	11.00	41, 42, 44, 52	242.516.00.1	24.00	37
241.470.00.1	29.00	63	241.875.00.1	12.00	41, 42, 52	242.530.SI.1	251.00	61, 62
241.476.00.1	376.00	46	241.876.00.1	15.00	41, 42, 52	242.530.SJ.1	251.00	61, 62
241.478.00.1	32.00	46	241.877.00.1	49.00	41, 42, 46, 52, 56	242.530.SQ.1	251.00	61, 62
241.487.00.1	14.00	61, 62	241.878.00.1	11.00	42	242.530.TG.1	251.00	61
241.628.11.1	41.00	64	241.899.00.1	51.00	33, 34	242.544.GH.1	124.00	43
241.628.21.1	41.00	64	241.903.00.1	19.00	59	242.548.00.1	16.00	51
241.628.45.1†	82.00	64	241.905.00.1	19.00	59	242.576.00.1	17.00	43
241.628.AA.1	41.00	64	241.915.SN.1	189.00	58	242.579.00.1	24.00	43
241.628.DY.1	41.00	64	241.925.SN.1	189.00	59	242.582.00.1	110.00	43
241.628.FF.1	41.00	64	241.930.00.1	19.00	16, 37	242.583.00.1	13.00	43
241.628.GG.1	82.00	64	241.931.00.1	3.00	58, 59	242.584.00.1	79.00	43
241.670.00.1	16.00	33, 34	241.932.00.1	3.00	58, 59	242.588.00.1	19.00	43, 53, 54
241.725.21.1	71.00	64	241.933.00.1	21.00	58, 59	242.594.00.1	35.00	47, 50
241.726.21.1	112.00	64	241.934.00.1	63.00	58, 59	242.617.00.1	44.00	45
241.726.ID.1	163.00	64	241.935.00.1	138.00	58	242.618.SG.1	778.00	45
241.727.11.1	26.00	64	241.936.00.1	16.00	58	242.618.SM.1	778.00	45
241.727.21.1	31.00	64	241.937.00.1	63.00	58	242.658.00.1	42.00	7, 9, 14, 45
241.727.45.1†	51.00	64	241.941.00.1	282.00	59	242.743.IW.1	41.00	60
241.727.AA.1	26.00	64	241.943.00.1	21.00	59	242.745.00.1	10.00	60
241.727.DY.1	26.00	64	241.944.00.1	56.00	59	242.764.00.1	189.00	58
241.727.FF.1	26.00	64	241.945.00.1	14.00	59	242.764.11.1	189.00	58
241.727.GG.1*	37.00	64	241.946.00.1	138.00	59	242.764.GH.1	376.00	58
241.728.21.1	31.00	64	241.947.00.1	5.00	58, 59	242.764.SQ.1	189.00	58
241.728.45.1†	51.00	64	242.012.00.1	4.00	32, 33, 34, 35, 36	242.767.00.1	28.00	64
241.728.97.1	37.00	64	242.039.00.1	70.00	37	242.768.00.1	17.00	64
241.728.98.1	37.00	64	242.042.00.1	69.00	17	242.769.00.1	17.00	64
241.728.CH.1*	37.00	64	242.045.00.1	14.00	37	242.776.00.1	42.00	64
241.728.EK.1*	43.00	64	242.046.00.1	11.00	37	242.776.GG.1†*	46.00	64
241.728.FT.1*	37.00	64	242.047.00.1	27.00	37	242.776.ID.1†	66.00	64
241.728.GG.1*	37.00	64	242.131.00.1	60.00	37	242.777.00.1	18.00	64
241.728.HD.1	43.00	64	242.156.00.1	3.00	58, 59	242.781.SN.1	189.00	46
241.728.HI.1	37.00	64	242.195.00.1	55.00	37	242.813.00.1	189.00	44
241.728.HJ.1	43.00	64	242.269.00.1	16.00	33, 34	242.813.FW.1	189.00	44
241.728.HM.1	56.00	64	242.314.00.1	40.00	32, 33, 34, 35, 36	242.813.SI.1	159.00	44
241.728.IB.1	41.00	64	242.315.00.1	6.00	32, 40	242.813.SJ.1	159.00	44
241.728.ID.1	41.00	64	242.316.00.1	6.00	36	242.813.SQ.1	159.00	44
241.729.00.1	35.00	30	242.380.21.1	133.00	51	242.814.00.1	32.00	44
241.766.00.1	54.00	64	242.383.SI.1	251.00	61, 62	242.819.00.1	12.00	44, 48
241.769.00.1	43.00	29	242.383.SJ.1	251.00	61, 62	242.820.00.1	189.00	44, 48
241.771.00.1	43.00	29	242.383.SQ.1	251.00	61, 62	242.822.00.1	10.00	44, 48
241.772.00.1	43.00	29	242.383.TG.1	251.00	61	242.823.00.1	56.00	44, 48
241.773.00.1	43.00	29	242.385.TA.1	110.00	62	242.824.00.1	40.00	44, 48
241.774.00.1	43.00	29	242.386.TA.1	122.00	62	242.825.00.1	10.00	44, 48
241.775.00.1	43.00	29	242.387.00.1	8.00	61, 62	242.826.00.1	10.00	44, 48
241.789.21.1	28.00	29, 30	242.389.00.1	24.00	60, 61, 62	242.846.00.1	24.00	49
241.800.KD.1	14.00	63	242.390.11.1	22.00	60, 62	242.847.00.1	24.00	49
241.803.00.1	14.00	39	242.391.94.1	28.00	62	242.848.00.1	24.00	49
241.805.00.1	12.00	39	242.401.00.1	40.00	50, 51	242.849.GH.1	173.00	49
241.813.00.1	11.00	63	242.414.00.1	17.00	33, 34	242.849.KA.1	110.00	49
241.820.21.1	12.00	63	242.415.00.1	16.00	33, 34	242.870.00.1	131.00	46
241.826.00.1	13.00	16	242.416.00.1	16.00	33, 34	242.871.00.1	27.00	46
241.829.00.1	6.00	32, 40	242.417.00.1	9.00	34	242.873.00.1	6.00	49
241.831.00.1	58.00	7, 9, 14, 45, 46	242.418.00.1	6.00	33, 34	242.886.00.1	10.00	32, 35, 36
241.854.00.1	21.00	40	242.424.00.1	159.00	45	242.888.00.1	10.00	33, 34
241.857.00.1	4.00	32, 35, 36, 40	242.425.00.1	115.00	46	242.920.00.1	5.00	43, 54
241.858.00.1	21.00	32, 40	242.480.00.1	17.00	61, 62	242.939.00.1	16.00	47, 48
241.859.00.1	10.00	32, 36, 40	242.484.00.1	6.00	58, 59	242.949.00.1	59.00	48
241.868.00.1	2.00	32, 35, 36, 40	242.486.00.1	11.00	60, 62	242.956.00.1	184.00	48
241.873.00.1	27.00	41, 42, 52				242.957.FW.1	376.00	48
						242.957.SI.1	275.00	48
						242.957.SJ.1	275.00	48

Model No.	List Price	Page	Model No.	List Price	Page
242.957.SQ.1	275.00	48	243.396.11.1	92.00	47
242.958.00.1	118.00	48	243.397.11.1	92.00	47
242.961.11.1	28.00	47	243.397.21.1	120.00	47
242.961.21.1	28.00	47	243.397.46.1	120.00	47
242.962.11.1	16.00	47	243.398.KH.1	136.00	47
242.962.21.1	28.00	47	243.398.KK.1	120.00	47
242.962.46.1	28.00	47	243.413.00.1	151.00	43
242.963.KH.1	35.00	47	243.414.00.1	32.00	43
242.963.KJ.1	35.00	47	243.415.GH.1	599.00	43
242.964.KH.1	35.00	47	243.415.SI.1	535.00	43
242.964.KJ.1	35.00	47	243.415.SJ.1	535.00	43
242.965.00.1	32.00	47	243.415.SQ.1	535.00	43
242.975.11.1	5.00	45, 46	243.422.00.1	21.00	43
243.042.16.1	12.00	62	243.423.00.1	69.00	43
243.042.JF.1	12.00	61	243.424.00.1	42.00	43
243.084.00.1	59.00	44, 48	243.437.00.1	140.00	62
243.088.00.1	6.00	35	243.438.00.1	22.00	62
243.090.00.1	59.00	35	243.439.00.1	37.00	62
243.091.00.1	18.00	35	243.440.TA.1	122.00	61
243.092.00.1	27.00	35	243.442.00.1	22.00	61
243.093.00.1	8.00	35	243.443.TA.1	110.00	61
243.094.00.1	39.00	35	243.444.JF.1	24.00	61
243.095.00.1	32.00	35	243.445.JF.1	24.00	61
243.096.00.1	11.00	35	243.446.00.1	251.00	61
243.108.00.1	16.00	54	243.447.JF.1	12.00	61
243.109.00.1	103.00	54	249.801.00.1	111.00	17
243.110.00.1	27.00	53, 54	256.000.00.1	5.00	47, 50, 51
243.111.00.1	11.00	48	271.227.00.1	55.00	63
243.118.GH.1	522.00	54	282.050.21.2	62.00	63
243.118.SI.1	466.00	54	282.350.21.2	79.00	63
243.118.SJ.1	466.00	54	362.771.00.1	2.00	32, 33, 34, 35, 36, 40, 61
243.118.SQ.1	466.00	54	362.790.00.1	2.00	37
243.130.00.1	19.00	47	362.796.92.1	5.00	32, 33, 34, 35, 36, 40
243.139.00.1	7.00	35	366.061.16.1	22.00	18, 32, 35, 36, 61, 62
243.168.00.1	16.00	6, 14, 32, 33, 34, 40, 53	366.820.92.1	4.00	32, 33, 34, 35, 36, 61, 62
243.169.00.1	16.00	48	366.887.16.1	34.00	18
243.170.00.1	16.00	44, 48	366.913.16.1	71.00	18
243.171.00.1	16.00	44, 48	366.914.16.1	71.00	18
243.173.00.1	46.00	17	367.071.18.1	147.00	18
243.270.KH.1	75.00	58	367.485.16.1	147.00	18
243.270.KJ.1	75.00	58	367.923.16.1	147.00	18
243.278.00.1	10.00	43	387.282.00.1	5.00	32, 33, 34, 35, 36
243.279.00.1	5.00	33	388.352.29.1	32.00	61
243.293.00.1	5.00	61, 62	405.116.00.1	218.00	16, 61
243.294.00.1	10.00	54	465.034.00.1	37.00	17
243.297.00.1	6.00	44, 48	813.514.00.1	2.00	41, 42, 43, 44, 54, 56, 57
243.299.00.1	56.00	53	813.812.00.1	9.00	63
243.301.00.1	20.00	53	816.418.00.1	2.00	32, 35, 36, 40, 56, 57, 60, 61, 62, 63
243.302.00.1	21.00	53	853.614.92.1	5.00	37
243.303.00.1	52.00	53	880.328.11.1	6.00	50, 51
243.304.00.1	56.00	53	889.110.11.1	9.00	57
243.305.00.1	5.00	53			
243.306.21.1	112.00	53			
243.307.21.1	85.00	53			
243.344.00.1	16.00	33			
243.345.00.1	16.00	32, 33, 34, 40			
243.347.00.1	16.00	44, 48			
243.356.00.1	159.00	45, 46			
243.357.00.1	21.00	33, 34			
243.395.11.1	84.00	47			
243.395.21.1	92.00	47			

Limited Warranty

LIMITED WARRANTY – The Company offers limited warranties regarding certain of its products. Such limited warranties can be found in the Company's catalogs and on its website at → [geberit.us](https://www.geberit.us). **THE COMPANY SHALL NOT BE LIABLE TO BUYER, OR TO ANYONE CLAIMING UNDER BUYER, FOR ANY OTHER OBLIGATIONS OR LIABILITIES, INCLUDING, BUT NOT LIMITED TO, OBLIGATIONS OR LIABILITIES ARISING OUT OF BREACH OF CONTRACT OR WARRANTY, NEGLIGENCE OR OTHER TORT OR ANY THEORY OF STRICT LIABILITY, WITH RESPECT TO THE PRODUCTS OR THE COMPANY'S ACTS OR OMISSIONS OR OTHERWISE. THE COMPANY AND BUYER AGREE THAT THE EXPRESS WARRANTIES DESCRIBED ABOVE ARE EXCLUSIVE AND IN LIEU OF ALL OTHER WARRANTIES. ALL OTHER EXPRESS WARRANTIES ARE DISCLAIMED. FOR COMMERCIAL PRODUCTS, ALL WARRANTIES IMPLIED BY LAW, INCLUDING WITHOUT LIMITATION THE IMPLIED WARRANTIES OF MERCHANTABILITY AND FITNESS FOR A PARTICULAR PURPOSE, ARE DISCLAIMED. FOR CONSUMER PRODUCTS, WARRANTIES IMPLIED BY LAW, INCLUDING THOSE OF MERCHANTABILITY AND FITNESS FOR A PARTICULAR PURPOSE, ARE EXPRESSLY LIMITED TO THE PERIOD OF THE EXPRESS LIMITED WARRANTY FOR THE RELEVANT PRODUCT.** Some States do not allow limitations on how long an implied warranty lasts, so the above limitation may not apply to Buyer. IN NO EVENT SHALL THE COMPANY BE LIABLE FOR INCIDENTAL, CONSEQUENTIAL, INDIRECT OR SPECIAL DAMAGES. THE COMPANY'S AGGREGATE LIABILITY WITH RESPECT TO A DEFECTIVE PRODUCT AND THIS CONTRACT SHALL BE LIMITED TO AN AMOUNT EQUAL TO THE MONIES PAID TO THE COMPANY FOR THAT DEFECTIVE PRODUCT. Some states do not allow the exclusion or limitation of incidental or consequential damages, so the above limitation or exclusion may not apply to Buyer. Please see the Company's limited warranty statement for details on limitations.

TO WHOM DOES THIS WARRANTY APPLY? – The Company extends the following limited warranty to the original user only.

WHAT DOES THIS WARRANTY COVER AND HOW LONG DOES IT LAST? This warranty covers the following Commercial Products:

BATH WASTE & OVERFLOW PRODUCTS WARRANTY – Bath Waste & Overflow products are warranted against defects in material and workmanship for the life of the Products.

GEBERIT INSTALLATION SYSTEMS – Frame, Flushing Tanks, and Actuators for Geberit Installation Systems are warranted against defects in material and workmanship for the life of the Products. Filling and Flushing valves are warranted against defects in material and workmanship for 10 years from the date of Product purchase. The Company offers NO WARRANTY for Product batteries. Use of third party Actuators (and hardware), or Fill and Flush valves voids all Flushing Tank warranties.

FIVE YEAR FINISH WARRANTY – RESIDENTIAL – For Products used in residential applications, the finish of the Product is warranted against material manufacturing defects for a period of five (5) years from the date of Product purchase.

FOREVERSHINE™ and HARD COAT FINISHES WARRANTY – RESIDENTIAL – ForeverShine™ and Hard Coat finishes installed in residential-use applications are warranted not to corrode, tarnish or discolor for the life of the Product.

OTHER WARRANTIES – All other Products not covered above are warranted against material manufacturing defects for a period of one (1) year from the date of Product purchase.

WHAT THIS WARRANTY DOES NOT COVER – The Company will not be liable for any labor, transportation or consequential expenses not specifically stated above. There is **NO WARRANTY** in cases of damage in transit, negligence, abuse, abnormal usage, misuse, accidents, normal

wear and tear, damage due to environmental or natural elements, failure to follow the Company's instructions, unauthorized repair, incorrectly performed maintenance or repair, improper installation or storage or use of acidic, abrasive cleaning materials. In order for this Warranty to apply, Buyer must retain and provide to the Company receipts showing date of Product purchase and documenting proper maintenance. Any oral or written description of the Products is for the sole purpose of identifying the Products and shall not be construed as an express warranty. **THE COMPANY SHALL NOT BE LIABLE TO BUYER, OR TO ANYONE CLAIMING UNDER BUYER, FOR ANY OTHER OBLIGATIONS OR LIABILITIES, INCLUDING, BUT NOT LIMITED TO, OBLIGATIONS OR LIABILITIES ARISING OUT OF BREACH OF CONTRACT OR WARRANTY, NEGLIGENCE OR OTHER TORT OR ANY THEORY OF STRICT LIABILITY, WITH RESPECT TO THE PRODUCTS OR THE COMPANY'S ACTS OR OMISSIONS OR OTHERWISE. THE COMPANY AND BUYER AGREE THAT THE EXPRESS WARRANTIES DESCRIBED ABOVE ARE EXCLUSIVE AND IN LIEU OF ALL OTHER WARRANTIES. ALL OTHER EXPRESS WARRANTIES ARE DISCLAIMED. FOR COMMERCIAL PRODUCTS, ALL WARRANTIES IMPLIED BY LAW, INCLUDING WITHOUT LIMITATION THE IMPLIED WARRANTIES OF MERCHANTABILITY AND FITNESS FOR A PARTICULAR PURPOSE, ARE DISCLAIMED. FOR CONSUMER PRODUCTS, WARRANTIES IMPLIED BY LAW, INCLUDING THOSE OF MERCHANTABILITY AND FITNESS FOR A PARTICULAR PURPOSE, ARE EXPRESSLY LIMITED TO THE PERIOD OF THE EXPRESS LIMITED WARRANTY STATED ABOVE FOR THE RELEVANT PRODUCT.** Some States do not allow limitations on how long an implied warranty lasts, so the above limitation may not apply to you. Any assistance the Company provides to or procures for Buyer outside the terms, limitations or exclusions of this warranty will not constitute a waiver of the terms, limitations or exclusions of this limited warranty, nor will such assistance extend or revive the warranty. The Company will not reimburse Buyer for any expenses incurred by Buyer in repairing, correcting or replacing any defective Products, except for expenses incurred with the Company's prior written permission.

HOW TO GET SERVICE – For complete warranty details, or to provide notice of a warranty claim or request warranty service, contact your Geberit Sales Representative or Geberit, Customer Service, 2100 S. Clearwater Drive, Des Plaines, Illinois 60018 or 847-803-5000. As the Company's sole and exclusive obligation under this warranty (and Buyer's sole and exclusive remedy), upon prompt written notice of breach from Buyer during the warranty period, the Company will either replace or repair the defective Product or refund the wholesale purchase price, at its option, if an inspection by the Company discloses defects in material or workmanship covered by this warranty. These warranty provisions do not cover the battery shipped with the electronic products.

LIMITATION ON DAMAGES – IN NO EVENT SHALL THE COMPANY BE LIABLE FOR INCIDENTAL, CONSEQUENTIAL, INDIRECT OR SPECIAL DAMAGES. WITHOUT LIMITING THE FOREGOING, THE COMPANY SHALL NOT BE LIABLE FOR ANY DAMAGE A PALM DEVICE OR ANY SOFTWARE OR RELATED EQUIPMENT ALLEGEDLY CAUSES TO A SYSTEM OR OTHERWISE. THE COMPANY'S AGGREGATE LIABILITY WITH RESPECT TO A DEFECTIVE PRODUCT AND THIS CONTRACT SHALL BE LIMITED TO AN AMOUNT EQUAL TO THE MONIES PAID TO THE COMPANY FOR THAT DEFECTIVE PRODUCT.

Some states do not allow the exclusion or limitation of incidental or consequential damages, so the above limitation or exclusion may not apply to you.

HOW DOES STATE LAW APPLY? – This warranty gives you specific legal rights, and you may also have other rights which vary from state to state.

Restrictions Apply

Geberit
2100 S. Clearwater Drive
Des Plaines, IL 60018
USA

P 800-566-2100
F 847-803-5454

→ geberit.us

