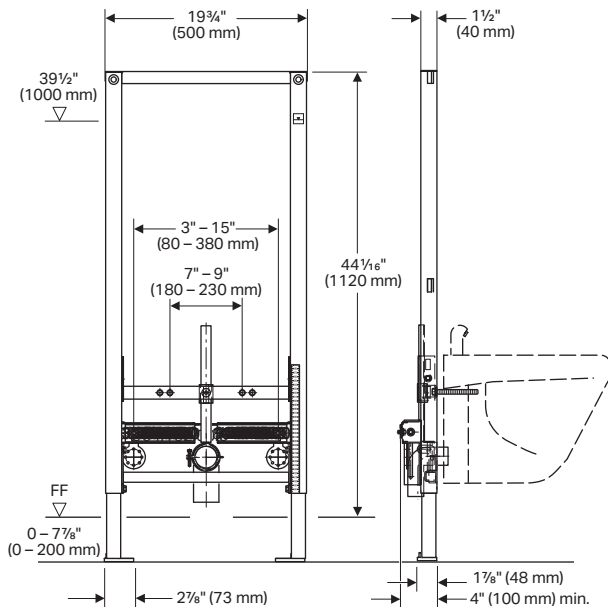
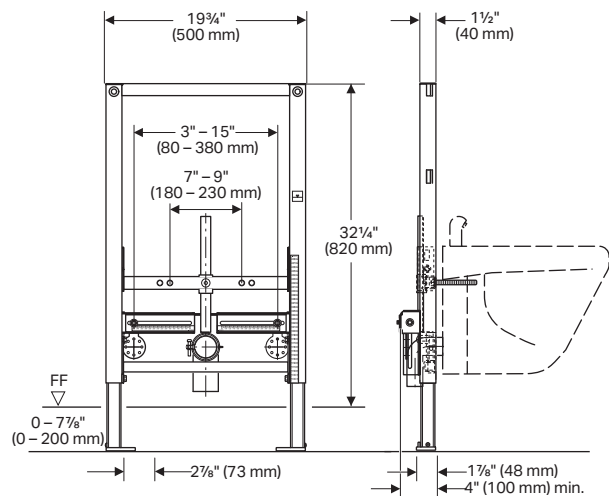


Geberit Installation System for Wall-Hung Bidets

Model No.	Description	
111.520.00.1	Geberit Duofix Carrier for wall-hung bidets, standard height.	



Model No.	Description	
111.524.00.1	Geberit Duofix Carrier for wall-hung bidets, short height. (matches 111.012.00.1)	



Product Specifications

In-Wall Duofix carrier system for wall-hung bidets. System shall fit within minimum 5 1/2" (140 mm) framing wall or plumbing chase with wood construction or steel framing members placed 19 3/4" (500 mm) apart. Framing members should be capable of supporting a 880 pound (400 kg) load without damage to the wall. The bidet bowl shall be a third party listed 2-hole wall-hung type. The carrier frame shall be adjustable for bowl rim heights from 15" (381 mm) to 19" (483 mm). All components shall be compliant with applicable codes and product standards.

Warranty

Limited lifetime warranty on carrier.

Features

- 16-gauge, powder-coated, structural-steel tubing rated to 880 lbs (400 kg) without damage to finished wall or carrier unit
- Fixture rim height adjustments from 15" (381 mm) to 19" (483 mm)
- Frame height:
 - 111.520.00.1 = 44 1/8" (1120 mm)
 - 111.524.00.1 = 32 1/4" (820 mm)
- Installation hardware included

Products marked with comply with the American Disabilities Act (ADA) when installed per the requirements of the latest ADA Accessibility Guidelines (ADAAG) and/or ICC/ANSI A117.1.



ARCHITECT/ENGINEER APPROVAL	
Job Name	_____
Date	_____
Quantity	_____
Model Specified	_____
Variations Specified	_____
Customer/Wholesaler	_____
Contractor	_____
Architect	_____

Geberit
2100 S. Clearwater Drive
Des Plaines, IL 60018
USA

P 800-566-2100
F 847-803-5454

→ geberit.us