

Geberit Installation System for 1.6/0.8 GPF (6/3 LPF) Wall-Hung Toilets, Pre-Wall Installations

Product Specifications

In-Wall Duofix carrier system and concealed tank with actuator flush panel or pneumatic push button for washdown wall-hung toilets. System shall fit within minimum 5½" (140 mm) framing wall or plumbing chase, with wood construction or steel framing members placed 19¾" (500 mm) apart. Framing members should be capable of supporting a 880 pound (400 kg) load without damage to the wall. Water supply shall have flow diameter no smaller than 1/2" (13 mm) copper tube, and a minimum flow pressure of 2 PSI (0.01 MPa). The toilet bowl shall be a third party listed low-consumption 1.6 GPF (6 LPF) or 1.6/0.8 GPF (6/3 LPF) dual-flush 2-hole wall-hung type. The carrier frame shall be adjustable for bowl rim heights from 15" to 19" (381 to 483 mm). Actuator flush panels shall be diecast zinc, molded plastic, glass or fabricated stainless steel and plated to preserve material integrity. All components shall be compliant with applicable codes and product standards.

Warranty

Limited lifetime warranty on tank and carrier, 10-year warranty on fill valve and flush valve. One-year warranty on actuator flush plates.

Features

- Water consumption – Dual-flush system allows 1.6/0.8 GPF (6/3 LPF), giving effective flush volume of 1.1 GPF (4 LPF)
- Anti-siphon fill valve
- Impact resistant high density polyethylene (HDPE) tank, insulated to prevent condensation
- 16-gauge, powder-coated, structural-steel tubing rated to 880 lbs. (400 kg) without damage to finished wall or carrier unit
- Bowl rim height adjustments from 15" to 19" (381 to 483 mm)
- 32¼" (820 mm) frame height
- For finished walls up to 3½" (9 cm) thick
- Small inspection opening for Omega flush actuator plates
- Includes installation and rough-in materials

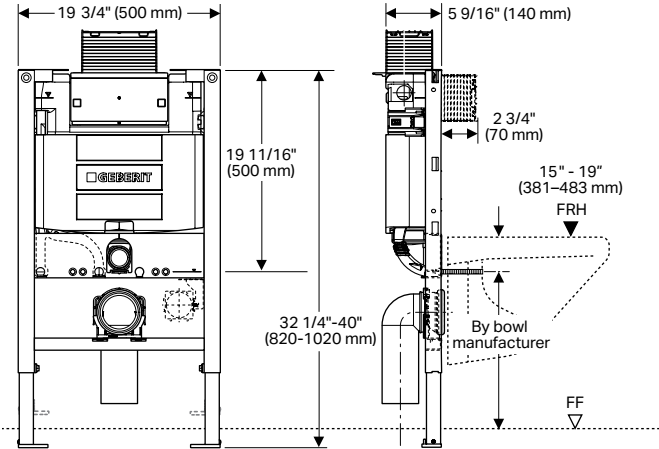
Complies with the latest editions of:

- ASME: A112.6.2, A112.19.5, A112.19.14
- ANSI Z124.4
- CSA B125.3
- ANSI/ASSE 1002
- IAPMO PS-50
- UNAR / UNAR-HET
- ASME A112.19.2
- State of Massachusetts listed

Products marked with comply with the American Disabilities Act (ADA) when installed per the requirements of the latest ADA Accessibility Guidelines (ADAAG) and/or ICC/ANSI A117.1.

Where water closet grab bars are required and corresponding reinforcement provided as outlined in the latest NYC Building Code and Federal FHA Guidelines, the installed product complies both for grab bars installed at the time of initial construction as well as for grab bars planned for future installation.

Model No.	Description
111.012.00.1	Geberit Duofix Carrier with Omega Concealed Tank, pre-wall installations for wall-hung toilets



ARCHITECT/ENGINEER APPROVAL

Job Name _____

Date _____ Quantity _____

Model Specified _____

Variations Specified _____

Customer/Wholesaler _____

Contractor _____

Architect _____

Geberit Installation System for 1.6/0.8 GPF (6/3 LPF) Wall-Hung Toilets, Pre-Wall Installations

Other Compatible Wall-Hung Toilet Bowl Models

Brand	Model Number*	Model Name	Brand	Model Number*	Model Name	Brand	Model Number*	Model Name	
Blu	LW6008	Coco	Duravit	255059	Happy D.2	Laufen	8.2055.0	Mimo	
Bathworks	LW6020	Metrix	(continued)	252909	ME by Starck	(continued)	8.2094.6	Mylife	
	LW6030	Coco		252959	ME by Starck		8.2094.8	Mylife	
	LW6030A	Coco		253009	ME by Starck		8.2070.8	Palace	
Devon & Devon	IBWCSBLUES	Blues		256109	P3 Comforts		8.2080.1	Palomba	
	IBWCSET	Etoile		256159	P3 Comforts		8.2080.8**	Palomba	
	2IBWCBSSET	Etoile		221909	PuraVida	Neo-Metro	8951	Euro-Urban Contour	
	IBWCSET	New Etoile		021009	Starck 1		8957	Metaal	
	2IBWCBSSET	New Etoile		016009	Starck 2		8952	miniLoo	
Duravit	IBWCSRO	Rose		253309	Starck 2	ROCA	346768	Armani	
	018209	1930 Series		253359	Starck 2		346518	Dama Senso	
	220509	2nd Floor		253409	Starck 2		346468	Giralda	
	222009	2nd Floor		220009	Starck 3		346628	Hall	
	017509	Bathroom_Foster		220109	Starck 3		346568	Happening	
	015609	Caro		222509	Starck 3	Swiss	SM-WT449	Sublime	
	019809	Caro		220209	Starck 3 compact	Madison	SM-WT442	St Tropez	
	019849	Caro		222709	Starck 3 compact		SM-WT660	Plaisir	
	221109	D-Code		252709	Starck 3	TOTO	CT418FG	Aquia	
	253509	D-Code		222609	Starck 3		CT486FG	Maris	
	220909	D-Code		222659	Starck 3	Tynan	7531.XX	Aine	
	222309	D-Code		220309	Starck 3 extra long	Plumbing	7532.XX	Fionn	
	020709	Darling		220609	Starck 3	Villeroy & Boch	6612-YY-XX	Aveo	
	254509	Darling New		221509	Starck 3		4684-YY-XX**	Architectura	
	255709	Darling New		220409	Starck X		4688-UR-XX**	Architectura	
	254409	Darling New		221709	Vero		5664-YY-XX	Bellevue	
	254459	Darling New		DXV	47010-11	Seagram		6653-YY-XX	Century
	256309	Darling New		Icera	C-6610	Clarity		6665-YY-XX	Editorials
	256359	Darling New			C-2340	Metro Loft		6661-10-XX	Homimage
	253609	DuraStyle			C-2370	Piano		5627-YY-XX	La Belle
	253709**	DuraStyle		Kallista	P70361-00	Pléo		7631-YY-XX	Magnum
	253809	DuraStyle		Kohler	K-6299	Veil		5628-YY-XX	Memento
	253909	DuraStyle			K-6300	Veil for Bidet Seat		6664-YY-XX	Oblic
	254009	DuraStyle		Lacava	5458	Aquagrande		5684-YY-XX	Omnia Architectura
	254109	DuraStyle			5051WC	Giulia		5674-YY-XX	Omnia Architectura
253759	Durastyle			4278	Piazza		5678-YY-XX	Omnia Architectura Vita	
254209	DuraStyle			6058	Suave		5670-YY-XX	Pure Stone	
254259	DuraStyle			2958	Tre		5622-YY-XX	Sentique	
255109	DuraStyle		Laufen	8.2090.0	Alessi dOt		6661-YY-XX	Strada	
255209	DuraStyle			8.2090.8	Alessi dOt		4609-UR-XX**	Subway	
255909	DuraStyle			8.2097.6	Alessi One		6600-YY-XX	Subway	
256209****	DuraStyle Basic			8.2097.8	Alessi One		5600-YY-XX	Subway	
255409	Esplanade			8.2067.1	Form		5614-XX	Subway	
017109	Happy D			8.2066.1**	Hi Jet				
222109***	Happy D.2			8.2033.8	Kartell				
222209	Happy D.2			8.2033.6	Kartell				
255009	Happy D.2			8.2033.1	Kartell				
				8.2095.0***	Laufen Pro				
				8.2096.9	Laufen Pro				
				8.2095.6***	Laufen Pro				
				8.2095.2	Laufen Pro Compact				
				8.2096.2	Laufen Pro S				
				8.2096.3**	Laufen Pro S				
				8.2068.0	LB3				
				8.2068.8**	LB3				
				8.2043.5****	Living City				
				8.2043.9**	Living				

Geberit
2100 S. Clearwater Drive
Des Plaines, IL 60018
USA

P 800-566-2100
F 847-803-5454

→ geberit.us

*Consult toilet manufacturers for up-to-date model numbers and availability.

**Meets 600 grams MaP performance score according to *Maximum Performance (MaP) of Toilet Fixture list, version 03/25/2017*.

***Meets 800 grams MaP performance score according to *Maximum Performance (MaP) of Toilet Fixture list, version 03/25/2017*.

****Meets 800 grams MaP performance score self-attested by manufacturer.