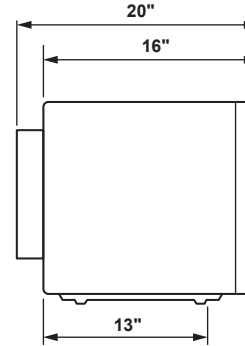
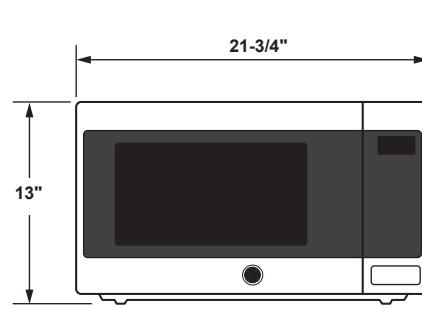


# PCWK15C1WSS

## GE Profile™ Series 1.5 Cu. Ft. Countertop Convection/Microwave Oven

### DIMENSIONS AND INSTALLATION INFORMATION (IN INCHES)

EXTERIOR DIMENSIONS (IN INCHES)	
Height	13"
Width	21-3/4"
Depth	16"
Depth including bumpout	20"
Depth from back of case to front legs	13"



### OPTIONAL ACCESSORY TRIM KITS FOR GE MICROWAVE OVENS (AVAILABLE AT ADDITIONAL COST)

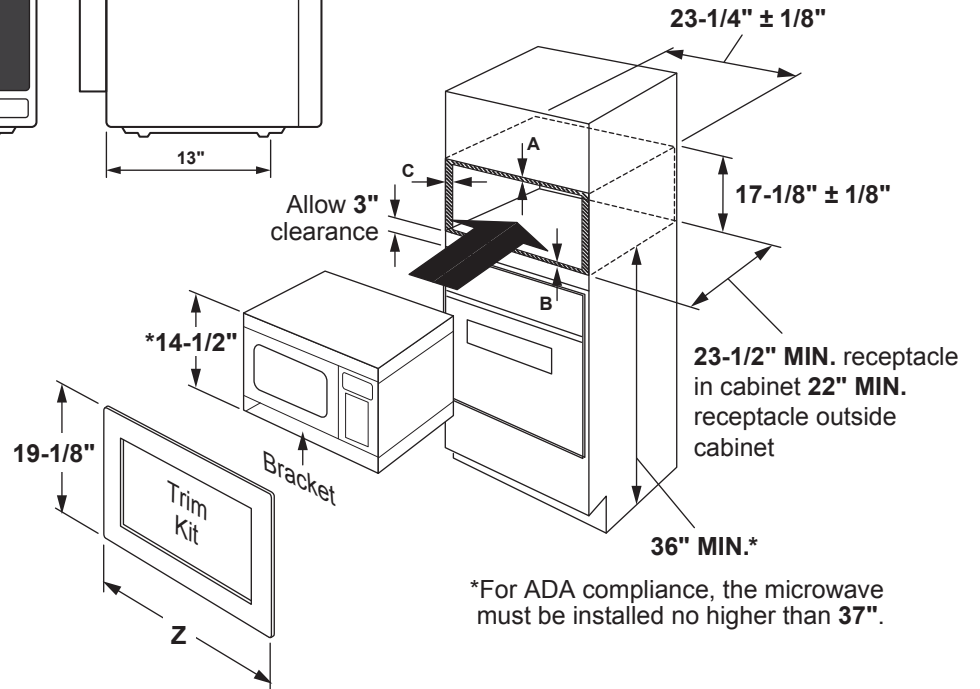
For a custom built-in appearance, these kits allow built-in installation of the countertop microwave oven into a wall or cabinet alone and are U.L. approved for installation over a GE single electric wall oven. These kits should not be installed over a gas wall oven.

ACCESSORY TRIM KITS	"Z"	MAX HEIGHT	TRIM KITS
30" Deluxe	29-3/4"	19-1/8"	JX9153SJ
27" Deluxe	26-7/8"	19-1/8"	JX9152SJ

**NOTE:** 120V, 60-cycle, grounded power receptacle location optional on back within cabinet opening.

**INSTALLATION INFORMATION:** This information is not intended to be used for installing unit described. Before installing, consult installation instructions packed with product/kit for current dimensional data.

\*Height of product when installed with kit rail and bottom duct: 14-1/2"



CABINET OVERLAP REQUIREMENTS	30"	27"
A - Overlap of trim kit over top of cabinet	1"	1"
B - Overlap of trim kit over bottom of cabinet	1"	1"
C - Overlap of trim kit over sides of cabinet	3-5/16"	1-7/8"

**NOTE:** Allow an additional inch of clearance beyond trim kit frame on all sides.



For answers to your Monogram, GE Café™ Series, GE Profile™ Series or GE Appliances product questions, visit our website at [geappliances.com](http://geappliances.com) or call GE Answer Center® Service, 800.626.2000.



Specification Revised 7/24

# PCWK15C1WSS

## GE Profile™ Series 1.5 Cu. Ft. Countertop Convection/Microwave Oven

### FEATURES AND BENEFITS

1.5 cu. ft. capacity – 1,000 Watts (IEC-705 test procedure)

Convection cooking – Choose this setting when baking or browning is desired

WiFi powered by SmartHQ™ - Works with Google Assistant and Alexa, so you can use your microwave from any room in the house

Sensor cooking controls – Automatically adjust time and power for delicious cooking results

Warming oven – Keeps food hot and ready to serve

Optional built-in trim kit – Achieve a custom appearance and built-in convenience with a sleek, matching trim kit

Convection rack – Achieve golden-brown results with a specially designed rack that allows air to circulate around foods for even heat distribution during convection cooking

Recessed turntable – Maximizes oven space and flush design easily accommodates multiple dishes

Two-step Child Lock - Helps prevent unintended use by younger family members, with the option to deactivate it if not needed

Model PCWK15C1WSS – Stainless steel

