

PHS93EYPFS

GE Profile™ ENERGY STAR® 30" Smart Slide-In Fingerprint-Resistant Front-Control Induction and Convection Range with No Preheat Air Fry

DIMENSIONS AND INSTALLATION INFORMATION (IN INCHES)

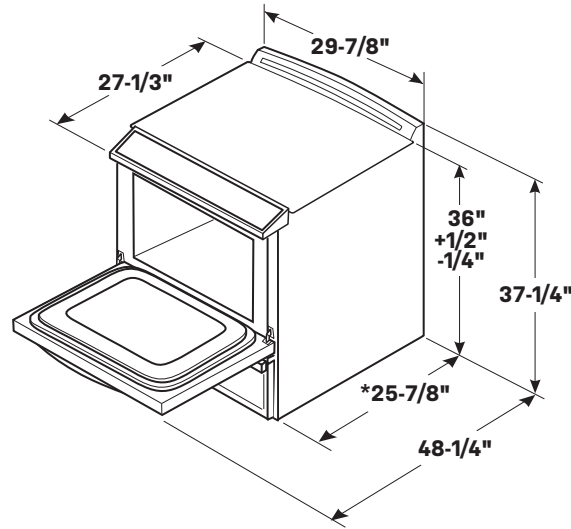
RECEPTACLE LOCATIONS: Locally approved flexible service cord or conduit must be used because terminals are not accessible after range installation. See shaded area in drawing for location of electrical outlet box. Recommended outlet locations allow range to be installed directly against rear wall.

NOTE: This appliance has been approved for 0" spacing to adjacent surfaces above the cooktop. However, a 6" minimum spacing to surfaces less than 15" above the cooktop and adjacent cabinet is recommended to reduce exposure to steam, grease splatter and heat.

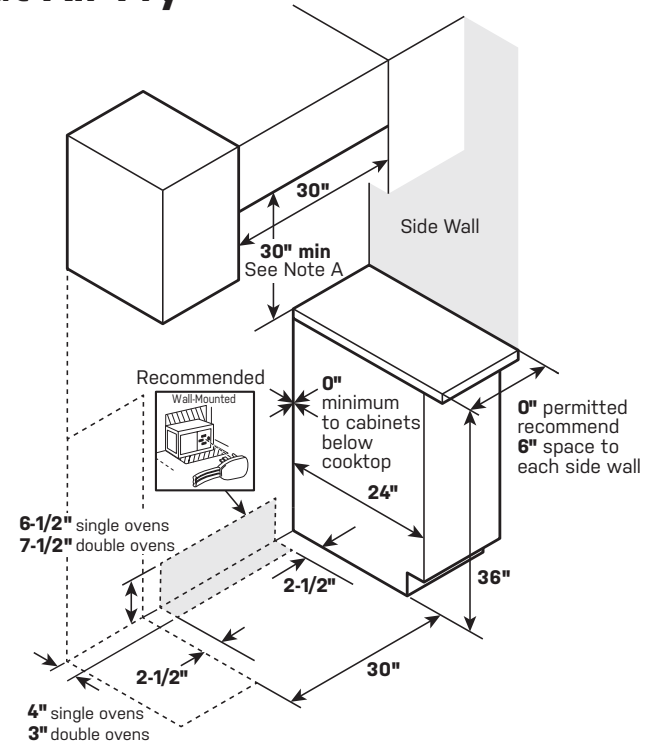
INSTALLATION INFORMATION: Before installing, consult installation instructions for current dimensional data and additional requirements.

KW RATING	
240V	12.5
208V	10.4
BREAKER SIZE	
240V	40 Amps†
208V	40 Amps†

†NOTE: Check local codes for required breaker size.



*Depth including door handle is approximately 28-1/4".



Note A: 30" Minimum to bare cabinet, see installation instructions heights less than 30".



All GE Appliances ranges are equipped with an Anti-Tip device. The installation of this device is an important, required step in the installation of the range.



PHS93EYPFS

GE Profile™ ENERGY STAR® 30" Smart Slide-In Fingerprint-Resistant Front-Control Induction and Convection Range with No Preheat Air Fry

FEATURES AND BENEFITS

Guided Cooking – This range is equipped with guided cooking from Hestan Cue™ to help streamline your cooking with a system that combines video-guided recipes from chefs with automatic time, temperature and cooking pace adjustments.

Sous Vide Capability – A sous vide enabled cooktop lets you achieve perfection on the stove with a precision cooking probe.

No Preheat Air Fry – With this air fryer right in the oven, you can cook healthier, crispier versions of your favorite foods. There's no preheat required and it shortens the cook time because every minute counts.

Built-in WiFi – This smart oven features built-in WiFi so you can control oven functions with the SmarthQ™ app on your smart device.

Fingerprint-Resistant Stainless Steel – A stainless finish that makes it easy to keep your appliances free of smudges and prints.

Fit Guarantee – This induction range will fit your existing 30" cut-out, or GE Appliances will help pay for modifications up to \$300.

Induction Cooktop – An induction cooktop makes stovetop cooking fast and efficient, with more precise temperature control and easy cleanup.

Touch Controls – Glide touch controls let you control the cooktop with the swipe of a finger and are easy to clean thanks to seamless integration.

Induction Element – An 11-inch induction element that is powerful enough to boil water in 101 seconds, but precise enough for delicate dishes.

Synchronized Elements – Control two cooktop elements with a single button to create a bigger cooking surface for griddles.

Synchronized Clocks and Lights – Synchronize your oven and GE Appliances over-the-range microwave so the clocks are always matching and lights and ventilation automatically come on when a burner is activated with Chef Connect.

Model PHS93EYPFS – Fingerprint-Resistant Stainless Steel

