

PFQ83HSSWW

GE Profile™ 4.6 cu. ft. Capacity UltraFast Combo with PowerSteam Technology Washer/Dryer

DIMENSIONS AND INSTALLATION INFORMATION (IN INCHES)

| ELECTRIC RATING | |
|-----------------|-------------|
| 120V | 11.0A, 60Hz |

INSTALLATION INFORMATION:

For complete information, see installation instructions packed with your Combo.

CIRCUIT REQUIREMENTS:

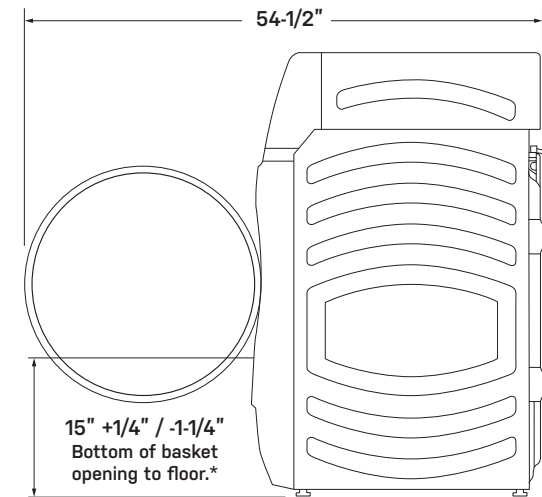
An individual, properly grounded branch circuit, protected by a 15-amp circuit breaker or a time-delay fuse, is required.

NOTE:

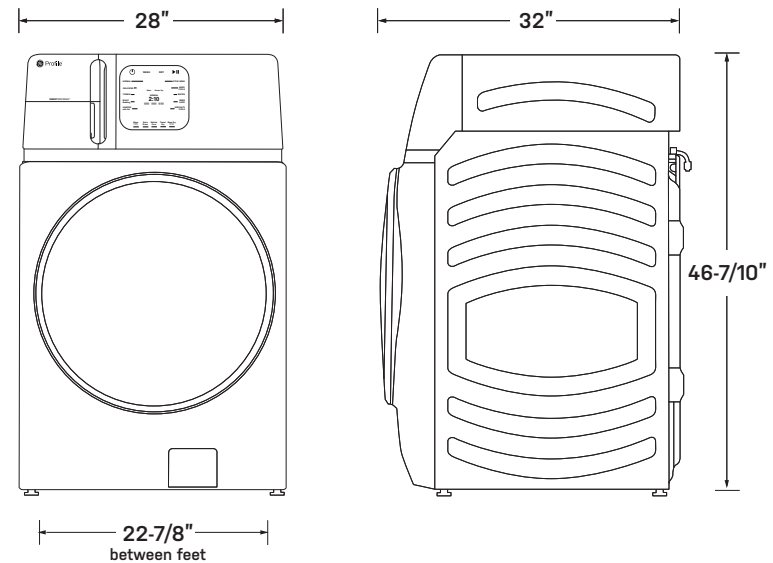
Combo wall outlet must be located within 36" of service cord entry and accessible when combo is mounted in position.

INCLUDED POWER CORD LENGTH: Up to 66"

INCLUDED DRAIN HOSE LENGTH: Up to 60"



*With leveling leg adjust



For answers to your Monogram, Café™, GE Profile™ or GE Appliances product questions, visit our website at geappliances.com or call GE Answer Center® Service, 800.626.2000.



Specification Revised 5/24

PFQ83HSSWW

GE Profile™ 4.6 cu. ft. Capacity UltraFast Combo with PowerSteam Technology Washer/Dryer

ALCOVE OR CLOSET INSTALLATION:

- Approved for closet installation. Closet doors must be louvered or otherwise ventilated and have at least 60 square inches (387.1 cm²) of open area.

NO VENTING REQUIRED:

- Minimum clearances between Combo cabinet and adjacent walls or other surfaces are: 0" all sides and top.*

MINIMUM CLEARANCE OTHER THAN ALCOVE OR CLOSET INSTALLATIONS:

- Minimum clearances to combustible surfaces 0" all sides and top.*

WEIGHT

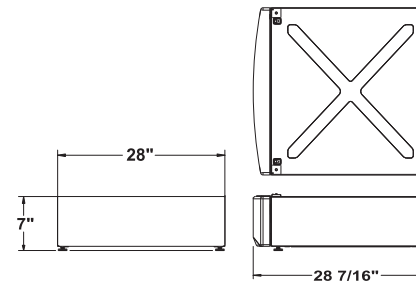
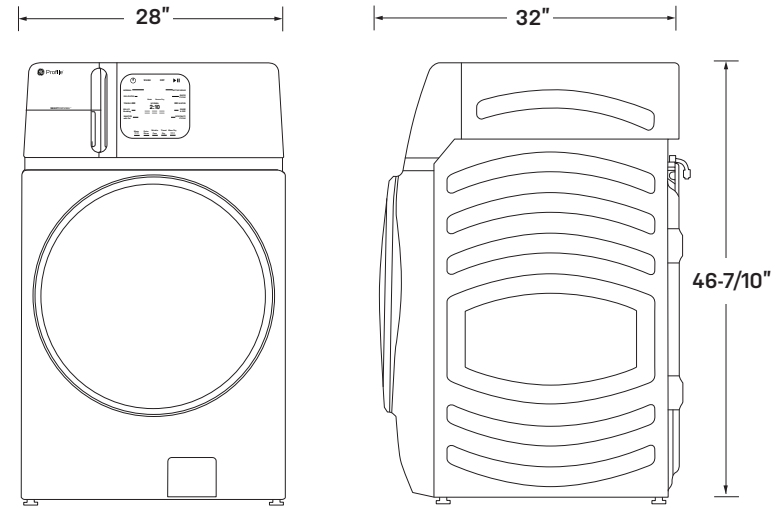
- Carton weight 323 lbs.
- Product weight 302 lbs.

ACCESSORIES**

| GE Part Number | Description |
|----------------|---|
| GFR0728SNWW | 7" RightHeight™ Riser – White |
| WX14X10011 | Washer Hoses – 6' Stainless Steel 90° Elbows; 2-pack |
| PM14X10002 | Washer Hoses – 4' Rubber; 2-pack |
| WH1X2267 | Washer Hoses – Filter Screen; 1-per |
| WH41X36697 | Washer Hose – Unicoupler (sink faucet hook-up) |
| WX14X10014 | 1' Hose Splitter 2-way (Short Hose with Y-Adapter) |
| WH49X316 | Drain Hose Extension Kit – Approx. 44" |
| GFAPC120V | 4-Prong 240V to 120V Plug Adapter |
| PM14X10056 | Filter – Appliance Brush Set (Internal Area of Combo) |
| WH01X35719 | Filter Foam Pad |
| WX08X10070 | 4" Duct Vent Cap |
| WR97X212 | Touch-Up Paint – 0.6 oz. |
| PM7X2 | Floor Plan – Low-Profile Pan with Drain (White) |

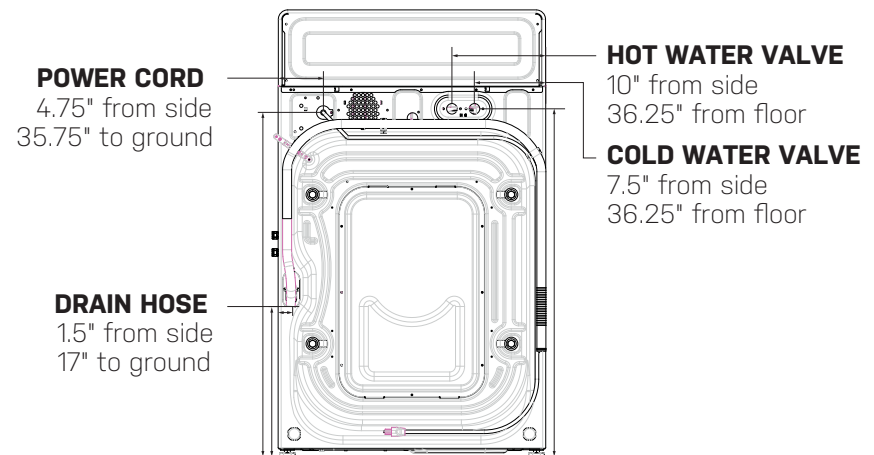
WARRANTY

| | |
|----------------|--|
| Labor Warranty | Limited 1-year entire appliance |
| Parts Warranty | Limited 1-year entire appliance Limited 5-year sealed system Limited 10-year motor |



RISER DIMENSIONS (IN INCHES) GFR0728SNWW – White

This optional 7" riser raises the door opening and height of the Combo unit. On a riser this unit is no longer ADA compliant. Not suggested for installation on a 16" pedestal.



POWER CORD
4.75" from side
35.75" to ground

HOT WATER VALVE
10" from side
36.25" from floor

COLD WATER VALVE
7.5" from side
36.25" from floor

DRAIN HOSE
1.5" from side
17" to ground

BACK VIEW



*For improved performance, a 1/2" clearance is suggested on each side.

**Accessories sold separately. For answers to your Monogram, Café™, GE Profile™ or GE Appliances product questions, visit our website at geappliances.com or call GE Answer Center® Service, 800.626.2000.

PFQ83HSSWW

GE Profile™ 4.6 cu. ft. Capacity UltraFast Combo with PowerSteam Technology Washer/Dryer

FEATURES AND BENEFITS

2-in-1 Washer/Dryer – Wash & Dry a large load of laundry in about 2 hours without the hassle of transferring clothes from the washer to the dryer.*

PowerSteam Technology – Specialty cycle utilizes steam to safely penetrate deep into fabric fibers, loosening stains and odors delivering enhanced cleaning performance and helping to release wrinkles in garments.

Fast Airflow Drying System – Warm, high-speed air extracts moisture from garments to gently dry even large loads fast with less heat. Now you can wash and dry everything from a comforter to delicate items from start to finish virtually eliminating the need to hang dry-- it's the ultimate one-and-done laundry experience!

Easy Installation & Space-Saving Solutions – Reimagine your laundry space and location with the flexible installation requirements of a standard 120V and no need for a dryer exhaust vent. The Ventless Combo design takes up half the space so you can rethink your laundry room possibilities.

Greater Energy Savings** – 50% more energy efficient drying** with Ventless Heat Pump.

The One and Done Laundry Experience – The UltraFast Combo is designed to enhance the way you experience laundry by optimizing washing + drying all in one machine. Plus, the smarter drying technology combines fast air flow at lower temperatures to ensure maximum care for all your laundry.

Microban® Antimicrobial Technology – Provides antimicrobial protection on the gasket, dispenser, and draining system to help prevent odors and ensuring your Combo stays fresh and clean load after load.

Smart Features Powered by SmartHQ™ – When connected to the SmartHQ™ app, you can make sure your Combo always has the latest features! Plus, remotely control and monitor as well as receive status notifications.

Large Wash Capacity – 4.6 cu.ft. capacity lets you clean large sized loads, even clean a king-size comforter. Large wash capacity allows families of all sizes to cut laundry routine in half.

Limited Warranty – Rest assured knowing your unit is backed by a 10-year limited warranty on the motor and a 5-year limited warranty on the sealed drying system.

EZ Access Lint Filter System – An exclusive, easy-to-reach lint filter system allows you to remove lint and micro particles, ensuring your Combo operates at the highest levels of efficiency.

Sanitize with Oxi – Remove 99% of bacteria with a dedicated cycle that uses an Oxi additive to boost your detergent's cleaning power, while keeping fabrics looking and feeling their best.

My Setting – Store preferred wash and dry cycle settings for later use, maximize time and alleviate adjusting cycle preferences with every load. Cycle preferences are stored, selected and deselected with a touch of a button; a heart symbol appears to indicate the setting has been stored and in-use.

Wrinkle Care – Prevents wrinkles by extending the tumble without heat.

Specialty Cycles – Includes STEAM Normal, STEAM Whites, STEAM Towels, DeWrinkle, Air Fluff, EcoCool, Jeans, Power Clean, Self Clean, Swim Wear.

ADA Compliant – Easily reach the controls and operating mechanisms of this unit thanks to an accessible, front loading, ADA-compliant washer and dryer combo design.

Shallow Depth – Never compromise with this 32" shallow depth washer that easily fits into tight spaces like an alcove or closet, making it a suitable solution for homes of any size.



*Based on completing the Normal Wash + Dry cycle with Eco Dry on using a 10-lb. DOE or Mixed Load in about 2 hours. See Use & Care Manual for details.

**Efficiency rating as compared to the requirements for ENERGY STAR qualification for standard electric dryers.

For answers to your Monogram, Café™, GE Profile™ or GE Appliances product questions, visit our website at geappliances.com or call GE Answer Center® Service, 800.626.2000.

