



ROOM AIR CONDITIONER

SAFETY INFORMATION3

OPERATING INSTRUCTIONS....5

CARE AND CLEANING.....8

INSTALLATION INSTRUCTIONS.....9

TROUBLESHOOTING TIPS.....16

WIFI SETUP18

LIMITED WARRANTY21

CONSUMER SUPPORT22

OWNER'S MANUAL & INSTALLATION INSTRUCTIONS

PHNT10
PHNT12

ENGLISH/ESPAÑOL

Before you begin

Record the GE module number and password for wifi setup. To locate this information, see page 18.

GE Module Number # _____

Password # _____

Write the model and serial numbers here:

Model # _____

Serial # _____

You can find the rating label on the side of the air conditioner.

THANK YOU FOR MAKING GE APPLIANCES A PART OF YOUR HOME.

Whether you grew up with GE Appliances, or this is your first, we're happy to have you in the family.

We take pride in the craftsmanship, innovation and design that goes into every GE Appliances product, and we think you will too. Among other things, registration of your appliance ensures that we can deliver important product information and warranty details when you need them.

Register your GE appliance now online. Helpful websites and phone numbers are available in the Consumer Support section of this Owner's Manual. You may also mail in the pre-printed registration card included in the packing material.



IMPORTANT SAFETY INFORMATION

READ ALL INSTRUCTIONS BEFORE USING THE APPLIANCE

▲ WARNING

For your safety, the information in this manual must be followed to minimize the risk of fire, electric shock or personal injury.

- Use this appliance only for its intended purpose as described in this Owner's Manual.
- This air conditioner must be properly installed in accordance with the Installation Instructions before it is used.
- Never unplug your air conditioner by pulling on the power cord. Always grip plug firmly and pull straight out from the receptacle.
- Replace immediately all electric service cords that have become frayed or otherwise damaged. A damaged power supply cord must be replaced with a new power supply cord obtained from the manufacturer and not repaired. Do not use a cord that shows cracks or abrasion damage along its length or at either the plug or connector end.
- Turn the unit OFF and unplug your air conditioner before cleaning.
- For your safety...do not store or use combustible materials, gasoline or other flammable vapors or liquids in the vicinity of this or any other appliance.
- If the receptacle does not match the plug, the receptacle must be changed out by a qualified electrician.
- GEAppliances does not support any servicing of sealed system components (i.e. refrigerant containing parts) in the air conditioner.
- Service of all other components may **ONLY** be completed by a qualified technician.
- This appliance is not intended for use by persons (including children) with reduced physical, sensory or mental capabilities or lack of experience and knowledge, unless they have been given supervision or instruction concerning use of the appliance by a person responsible for their safety.
- Children should be supervised to ensure that they do not play with the appliance.
- Do not operate your air conditioner in a wet room such as a bathroom or laundry room.
- The appliance shall be stored so as to prevent mechanical damage from occurring.



WARNING

Risk of Fire or Explosion. This unit contains flammable refrigerant. Additional safety precautions must be followed.

- Do not use means to accelerate the defrosting process or to clean, other than those recommended by the manufacturer.
- The appliance shall be stored in a room without continuously operating ignition sources (for example: open flames, an operating gas appliance or an operating electric heater).
- Do not pierce or burn refrigerant tubing. Be aware that refrigerants may not contain an odor.
- Keep ventilation openings clear of obstruction.
- When handling, installing, and operating the appliance, care should be taken to avoid damage to the refrigerant tubing.
- Do not drill holes in the unit.
- Maintenance, cleaning, and service should only be performed by technicians properly trained and qualified in the use of flammable refrigerants.
- GEAppliances does not support any servicing of sealed system components (i.e. refrigerant containing parts) in the air conditioner.
- Dispose of air conditioner in accordance with Federal and Local Regulations. Flammable refrigerants require special disposal procedures. Contact your local authorities for the environmentally safe disposal of your air conditioner.

▲ WARNING USE OF EXTENSION CORDS

RISK OF FIRE. Could cause serious injury or death.

- DO NOT use an extension cord with this Window Air Conditioner.
- DO NOT use surge protectors or multi-outlet adaptors with this Window Air Conditioner.

READ AND SAVE THESE INSTRUCTIONS

IMPORTANT SAFETY INFORMATION

READ ALL INSTRUCTIONS BEFORE USING THE APPLIANCE

HOW TO CONNECT ELECTRICITY

Do not, under any circumstances, cut or remove the third (ground) prong from the power cord. For personal safety, this appliance must be properly grounded.

DO NOT use an adapter plug with this appliance.

The power cord of this appliance is equipped with a 3-prong (grounding) plug which mates with a standard 3-prong (grounding) wall outlet to minimize the possibility of electric shock hazard from this appliance.

Power cord includes a current interrupter device. A test and reset button is provided on the plug case. The device should be tested on a periodic basis by first pressing the **TEST** button and then the **RESET** button while plugged into the outlet. If the **TEST** button does not trip or if the **RESET** button will not stay engaged, discontinue use of the air conditioner and contact a qualified service technician.

Have the wall outlet and circuit checked by a qualified electrician to make sure the outlet is properly grounded.

Where a 2-prong wall outlet is encountered, it is your personal responsibility and obligation to have it replaced with a properly grounded 3-prong wall outlet.

The air conditioner should always be plugged into its own individual electrical outlet which has a voltage rating that matches the rating plate.

This provides the best performance and also prevents overloading house wiring circuits which could cause a fire hazard from overheated wires.

See the Installation Instructions, **Electrical Requirements** section for specific electrical connection requirements.

IMPORTANT

NOTE: This air conditioner is designed to be operated under condition as follows and performance may be reduced outside of these operating temperatures.

Cooling Operation	Outdoor Temp:	70-109°F/21-43°C (70-118°F/21-48°C for special tropical models)
	Indoor Temp:	70-90°F/21-32°C

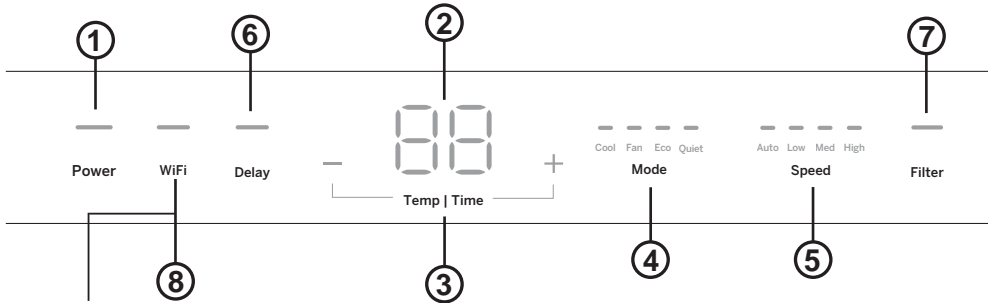
For the seasons that the air conditioner is not in use, ensure to drain all water out of the unit. Failure to do so may cause unwanted freezing which can affect performance for the next appropriate season. See the Care and Cleaning, **Draining The Unit** section for more information on how to properly drain the unit.

Controls

Features and appearance will vary.

Lights beside the touch pads on the air conditioner control panel indicate the selected settings.

Air Conditioner Controls



Solid light indicates WiFi connected

Blinking light indicates connecting

See Appliance Communication section in this manual

1. Power Pad

Turns air conditioner on and off. When turned on, the display will show the **Set** temperature.

2. Display

Shows the **Set** temperature or time remaining on the Delay timer. Shows the **Set** temperature while setting the temperature in **Quiet, Cool** or **Eco** modes.

3. Temp and Delay Increase + /Decrease - Pads

Use to set temperature or delay time. Temperature can be set in **Quiet, Cool** and **Eco** mode.

4. Mode Pad

Use to set the air conditioner to **Fan Only, Cool, Eco** or **Quiet** mode.

5. Fan Speed Pad

In **Cool** or **Eco** mode: Use to set the fan speed to **Auto, High, Med** or **Low** on the unit.

In **Fan Only** mode: Use to set the fan speed to **High, Med,** or **Low** on the unit.

In **Quiet** mode, the fan speed will automatically be set to **Low (indicator is Auto)**.

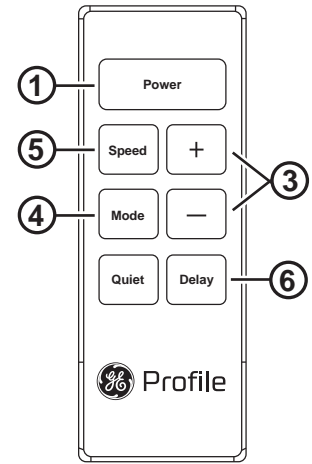
6. Delay Pad

Delay ON—When the air conditioner is off, it can be set to automatically come on in 1 to 24 hours at its previous mode and fan settings.

Delay OFF—When the air conditioner is on, it can be set to automatically turn off in 1 to 24 hours.

How to set:

Press the **Delay** pad. Each touch of the **Increase + / Decrease -** pads will set the timer in 1-hour intervals.



Remote Control

To review the remaining time on the **Delay** timer, press the **Delay** pad. Use the **Increase + / Decrease -** pads to set a new time if desired.

To **cancel the timer**, press **Decrease -** pad until the set time ' - - ' .

7. Filter Reset Pad

This feature automatically notifies you that the air filter must be cleaned. The indicator light will come on after 250 hours of operation. Clean the air filter (refer to page 7), place it back in the front panel, and press the **Filter Reset** pad. The light will go off.

8. WiFi Connect Pad

Enables connection of the air conditioner to the home WiFi. Download **SmartHQ** App for details at: GEAppliances.com/connect.

9. Sabbath Mode

Press and hold both the **Power** and **Speed** buttons on the user interface for 3 seconds to start Sabbath Mode.

When unit is in Sabbath mode, all single button presses or app input will not be operational until unit has exited Sabbath mode. The panel will show 'SA'.

Press the **Power** and **Speed** buttons simultaneously to turn Sabbath mode off. Unit will automatically exit Sabbath mode if no buttons are pressed within 96 hours of initiation.

Using the Air Conditioner

Do Not Operate in Freezing Outdoor Conditions

This cool-only air conditioner was not designed for freezing outdoor conditions.

It must not be used when the outdoor temperature is below freezing (32°F).

Control Panel Lights On/Off Feature

This air conditioner has a control panel lights on/off feature where its lights will turn off when there is no activity with the controls for over one minute. To wake up the controls, press any pad on the controls and the lights will come on to show the previous settings.

To turn this feature off, press and hold the **Delay** pad, on the unit, for 5 seconds. The unit will beep to signal the successful toggle of the feature on and off.

Control Panel Sound On/Off Feature

This air conditioner has a control panel sounds on/off feature where the sounds that occur when a button on the user interface is touched can be turned on or off. This feature is turned on by default, meaning that the air conditioner will make a sound when any button is

pressed on the user interface. To turn this feature off so as to make the button presses silent, press and hold the **Filter** button on the user interface for 5 seconds. The air conditioner will beep to signal the successful toggle of this feature on and off.

Remote Control

- To ensure proper operation, aim the remote control at the signal receiver on the air conditioner.
 - The remote control signal has a range of up to 20 feet.
 - Make sure nothing is between the air conditioner and the remote control that could block the signal.
 - Make sure batteries are fresh and installed correctly as indicated on the remote control.
-

Cool Mode

Use the Cool mode at **Low, Med, High** or **Speed** for cooling. Use the **Temperature Increase + / Decrease -** pads to set the desired temperature between 64°F and 86°F in 1°F increments.

An electronic thermostat is used to maintain the room temperature. The compressor will cycle on and off and also change operating speeds to keep the room at the set level of comfort. Set the thermostat at a lower number and the indoor air will become cooler. Set the thermostat at a higher number and the indoor air will become warmer.

NOTE: If the air conditioner is off and is then turned on while set to a **Cool** setting or if turned from a fan setting to a **Cool** setting, it may take approximately 3 minutes for the compressor to start and cooling to begin.

Cooling Descriptions

For Normal Cooling—Select the **Cool** mode and **High** or **Med** fan with a middle set temperature.

For Maximum Cooling—Select the **Cool** mode and **High** fan with a lower set temperature.

For Quieter and Nighttime Cooling—Select the **Cool** mode and **Low** fan with a middle set temperature.

Eco Mode

Controls the fan.

ON—The fan will cycle on and off with the compressor. This may result in wider variations of room temperature.

NOTE: the fan may continue to run for a short time or may pulse intermittently after the compressor cycles off to sample the room air.

OFF—The fan runs all the time, while the compressor cycles on and off.

Fan Only Mode

Use the Fan Only Mode at Low, Med or High fan speed to provide air circulation and filtering without cooling. Since fan-only settings do not provide cooling, a Set

temperature cannot be entered. The room temperature will appear in the display.

Auto Fan Speed

Set to **Auto** for the fan speed to automatically set to the speed needed to provide optimum comfort settings with the set temperature.

If the room needs more cooling, the fan speed will automatically increase. If the room needs less cooling, the fan speed will automatically decrease.

Using the Air Conditioner

Quiet Mode

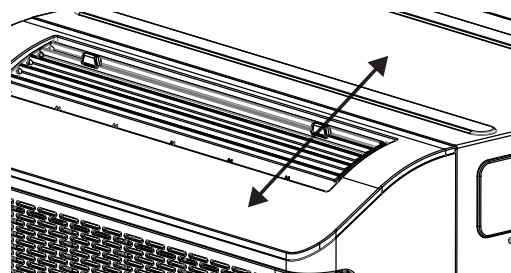
Quiet mode will ensure the most quiet mode of operation to satisfy the set temperature and provide room comfort in the space to be cooled. It is normal for the unit to operate for a longer period at lower energy consumption levels to achieve this. It is normal to hear

the unit switching speeds if it senses the room becoming uncomfortable.

Note: It is not suggested to use **QUIET MODE** when the temperature is above 104°F(40°C).

Air Direction

Use the levers to adjust the air direction up and down.



Care and Cleaning

Grille and Case

Turn the air conditioner off and remove the plug from the wall outlet before cleaning.

To clean, use water and a mild detergent. Do not use bleach or abrasives.

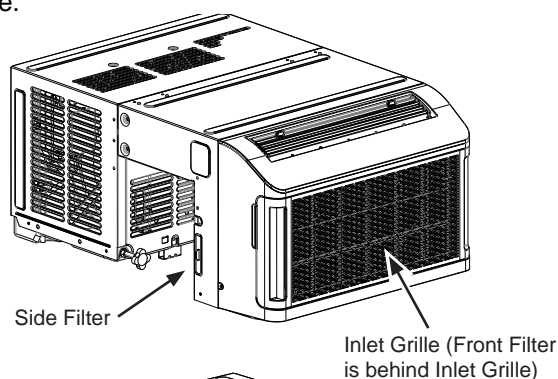
Filters

All filters should be checked and cleaned at least every 250 hours or more often if necessary. Clean the filters with warm, soapy water. Rinse and let filters dry before replacing it. Do not clean the filters in a dishwasher.

CAUTION DO NOT operate the air conditioner without a filter because dirt and lint will clog it and reduce performance.

Front Filter:

Access the Front Filter by first opening the inlet grille. Pull the tabs on the top sides of the grille towards you and set it aside. From here, pull down on the top black tabs on the filter. Once the top of the filter has been popped out of place, lift upwards on the filter and remove it from the device.



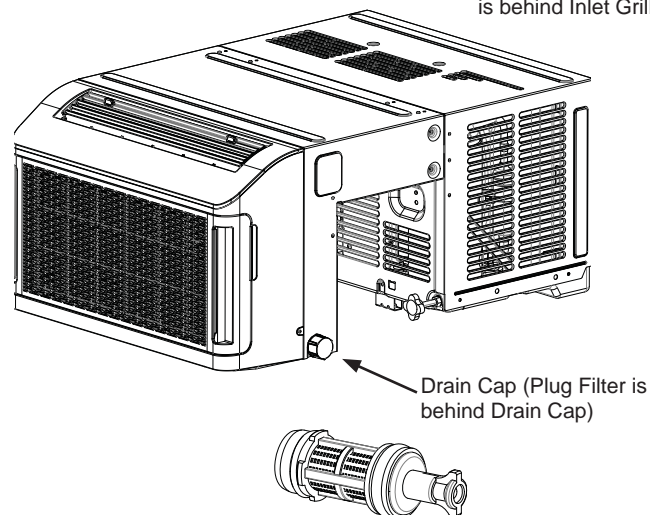
Side Filter:

Locate the tab on the left side of the unit and pull the filter straight out.

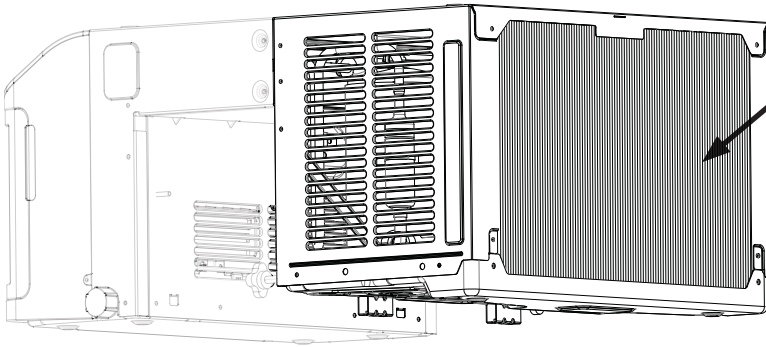
Plug Filter:

NOTE: Water will not come out after removing the cap, however it will begin to drain as soon as the Plug Filter is removed. Ensure to have the proper means of collecting water under the unit before removing the plug.

Locate the drain cap on the right side of the unit. Remove the cap, and pull the plug straight out.



Care and Cleaning



Outdoor Coils

The coils on the outdoor side of the air conditioner should be checked regularly. If they are clogged with dirt or soot, they may be professionally cleaned.

How to Insert the Batteries in the Remote Control

1. Remove the battery cover by sliding it according to the arrow direction.
2. Insert new batteries, making sure that the (+) and (-) of battery are installed correctly.
3. Reattach the cover by sliding it back into position.

NOTES:

- Use 2 "AAA" (1.5 volt) batteries. Do not use rechargeable batteries.
 - Remove the batteries from the remote control if the system is not going to be used for a long time.
 - Do not mix old and new batteries. Do not mix standard (carbon-zinc) or rechargeable (ni-cad, ni-mh, etc) batteries.
-

Draining the Unit

Over time, the air conditioner will accumulate water on both the indoor and the outdoor sides. For various reasons, such as preparing for a cold season, this water will need to be removed from the unit.

NOTE: Before draining the Indoor side, ensure to have the proper means of collecting water under the unit. Locate the Drain Cap on the right side of the unit. Remove the Drain Cap and pull the Filter Plug straight out to drain the unit. Once the water stops, reinsert the Filter Plug and secure again with the Drain Cap.

NOTE: Only attempt to drain the Outdoor side if neccessary and you can safely access the unit from the outside. See Troubleshooting, **Normal Operating Sounds** section for more information on draining the Outdoor side.

Installation Instructions

Questions? Visit our Website at: GEAppliances.com

BEFORE YOU BEGIN

Read these instructions completely and carefully.

- **IMPORTANT** — Save these instructions for local inspector's use.
- **IMPORTANT** — Observe all governing codes and ordinances.
- **Note to Installer** – Be sure to leave these instructions with the Consumer.
- **Note to Consumer** – Keep these instructions for future reference.
- **Skill level** – Installation of this appliance requires basic mechanical skills.
- **Completion time** – Approximately 1 hour
- We recommend that two people install this product.
- Proper installation is the responsibility of the installer.
- Product failure due to improper installation is not covered under the Warranty.
- You **MUST** use all supplied parts and use proper installation procedures as described in these instructions when installing this air conditioner.

ELECTRICAL REQUIREMENTS



These models require a 115/120-volt AC, 60-Hz grounded outlet protected with a 15-amp time-delay fuse or circuit breaker.

The 3-prong grounding plug minimizes the possibility of electric shock hazard. If the wall outlet you plan to use is only a 2-prong outlet, it is your responsibility to have it replaced with a properly grounded 3-prong wall outlet.

CAUTION

Do not, under any circumstances, cut or remove the third (ground) prong from the power cord.

Do not change the plug on the power cord of this air conditioner.

Aluminum house wiring may present special problems—consult a qualified electrician.

UNPACKING THE AIR CONDITIONER

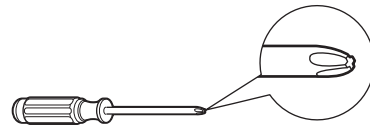
WARNING

EXCESSIVE WEIGHT HAZARD - When moving or lifting the air conditioner, use two or more people. Wear gloves when handling the air conditioner to protect against possible sharp edges and metal fins.

Remove Packaging Materials

- Remove packaging materials. Save the carton and the foam packaging for storing the unit when not in use.
- NOTE:** There is NO internal packing material inside the air conditioner to remove - DO NOT open the cabinet.
- Handle the air conditioner gently.
 - Keep the air conditioner upright and level. Do not set the air conditioner on its side, front, back or upside down.
 - The air conditioner must be standing upright for 2 hours prior to installation and operation.

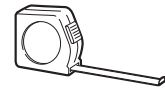
TOOLS YOU WILL NEED



Phillips head screwdriver



Pencil



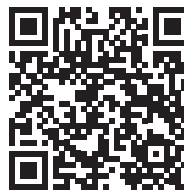
Ruler or tape measure



Level



Scissors or knife



SUPPORT VIDEOS

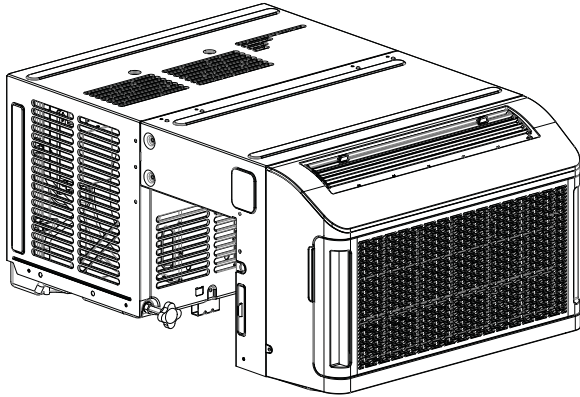
Scan code for installation support videos.

Power cord includes a current interrupter device. A test and reset button is provided on the plug case. The device should be tested on a periodic basis by first pressing the **TEST** button and then the **RESET** button while plugged into the outlet. If the **TEST** button does not trip or if the **RESET** button will not stay engaged, discontinue use of the air conditioner and contact a qualified service technician.

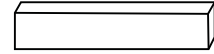
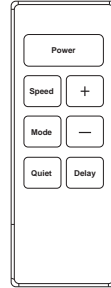
Installation Instructions

PARTS INCLUDED (Appearance may vary)

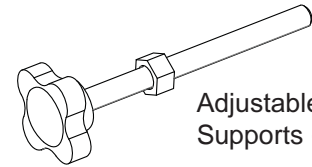
Air Conditioner (1)



Remote Control (1)

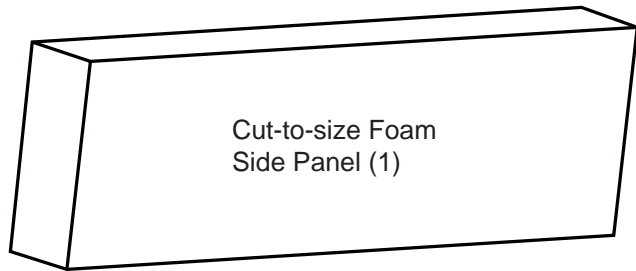
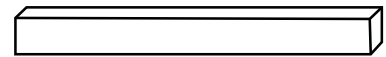


Foam Spacer (1) (only needed if window sill/trim does not stick out .5")

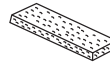


Adjustable Supports (2)

Foam Mounting Support (2)

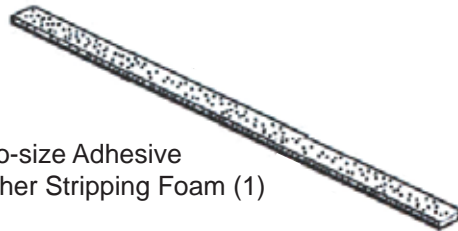
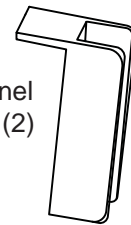


Cut-to-size Foam Side Panel (1)



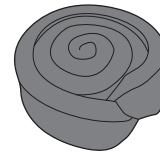
Chaseway Underside Foam (2)

Side Panel Bracket (2)

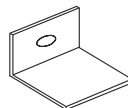


Cut-to-size Adhesive Weather Stripping Foam (1)

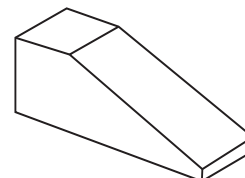
Foam Top Window Gasket (1)



Type B (2) screw (only 1 needed, 1 is extra)



Sash Lock (1)

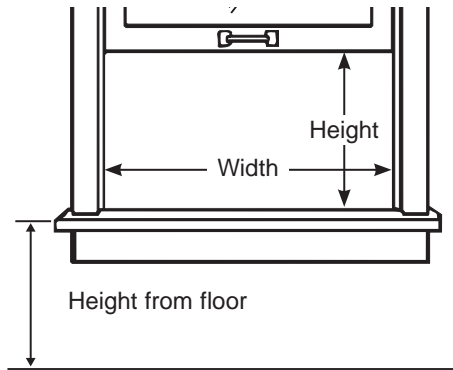


Window Wedge (1)

Installation Instructions

1. WINDOW REQUIREMENTS

- These instructions are for a standard double-hung window. You will need to modify them for other types of windows.
- The air conditioner can be installed without the side foam panels if needed to fit in a narrow window. See the window opening dimensions.
- All supporting parts must be secured to firm wood, masonry or metal.
- The electrical outlet must be within reach of the power cord.
- Follow the dimensions in the table and illustration for your model.



Width	Min. Height	Min. Height from Floor
20"-40"	13"	10"

- Avoid blocking the vents on the back of the indoor side of the unit. There must be a **MINIMUM** gap of 0.5 inches between the interior wall and the back of the unit.

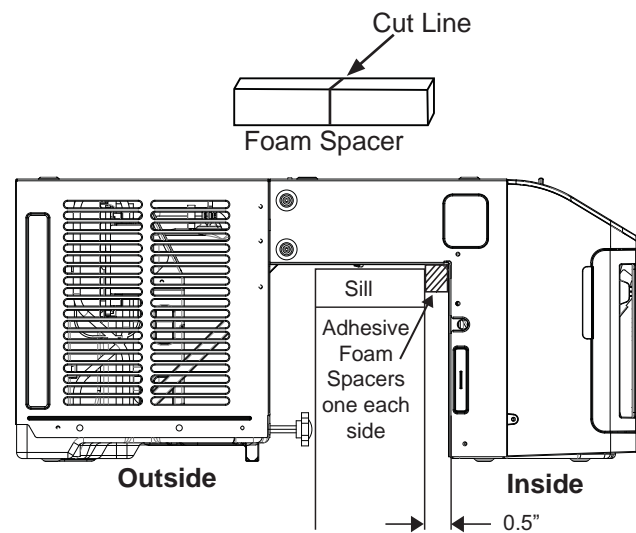
1. WINDOW REQUIREMENTS (cont)

- Please follow the instructions below depending on your window.

IF your interior window sill/trim sticks out greater than 0.5" - no Foam Spacers are needed.

IF your interior window sill/trim **DOES NOT** stick out greater than 0.5" - two Foam Spacers are needed. Cut the provided Foam Spacer in half and attach each piece to the upper corners of the unit under the chase-way as seen below. This will create the necessary gap.

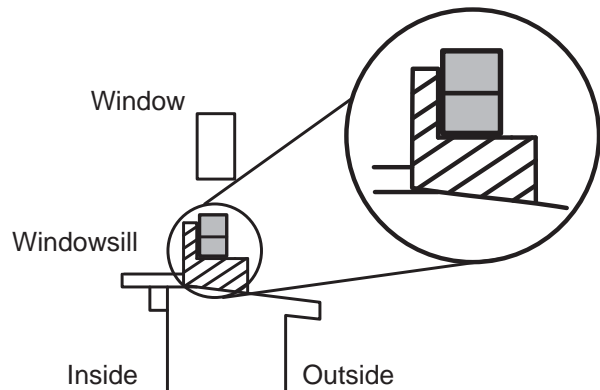
Side view of Foam Spacer placement:



2. PREPARE THE AIR CONDITIONER

- Measure the width of the window opening and mark the center of the window opening.
- Center the Foam Mounting Support in the window opening, remove adhesive backing and install the necessary amount of Foam Mounting Supports needed to raise the unit above your window ledge.

Foam Mounting Supports



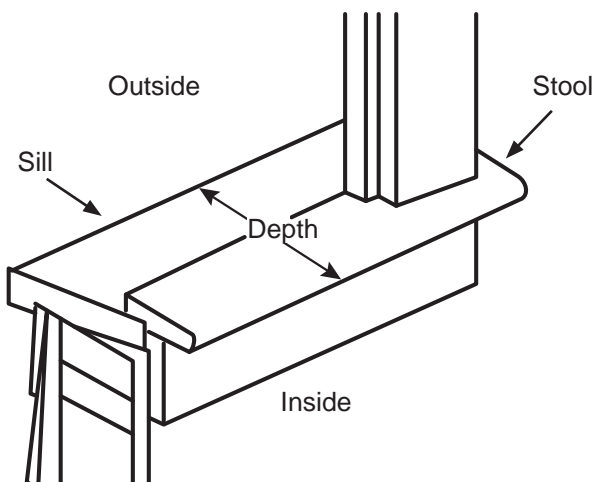
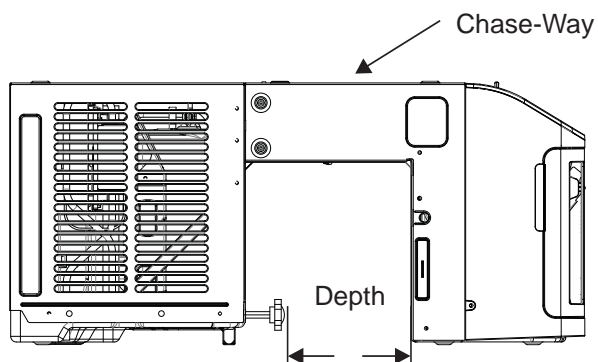
Installation Instructions

3. WALL REQUIREMENTS

- Measure your window depth and use the table below to determine the necessary chase-way position.

Window Depth	Chase-Way Position
Less than 7.75"	Closed*
7.75" - 9.75"	1
9.75" - 11.75"	2
11.75" - 13.75"	3

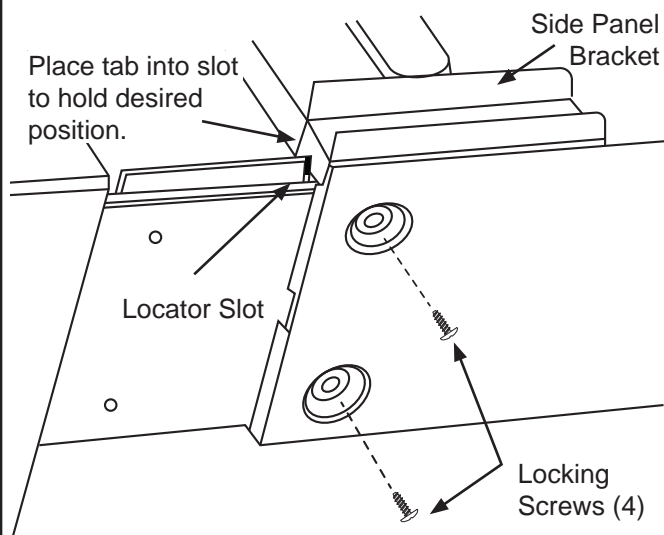
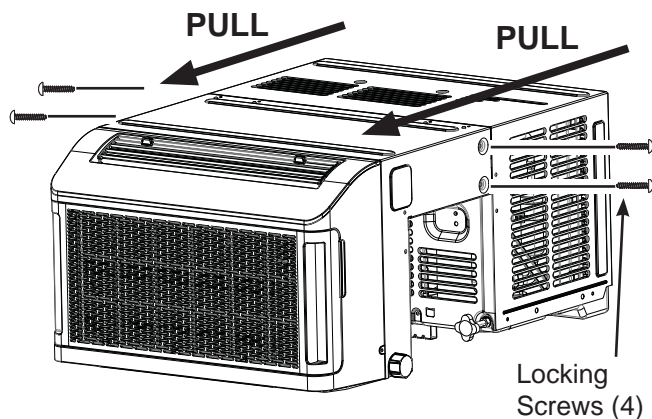
* The unit comes in the closed position. If no adjustment is necessary, skip to Section 5.



4. PREPARE THE AIR CONDITIONER

Adjusting the Chase-Way

- Measure window depth from interior to exterior. Use the table from Section 3 to determine the corresponding chase-way position.
- Remove 4 locking screws that hold the chase-way in place.
- Pull chase-way to position needed based on your window depth.

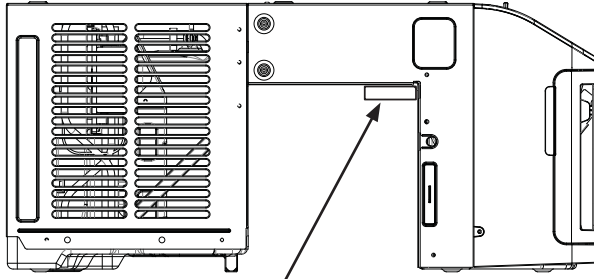


- Place tab of side panel bracket into slot on chase-way to hold position.
- Install the 4 screws (2 on each side) back into place to lock in chase-way.

Installation Instructions

4. PREPARE THE AIR CONDITIONER (Cont.)

- If you extend the chaseway to the 2nd, 3rd, or 4th position; take the two pieces of Chaseway Underside Foam and apply them underneath the chaseway in the open areas made by the adjustment.
- Apply one piece on the left and one piece on the right.



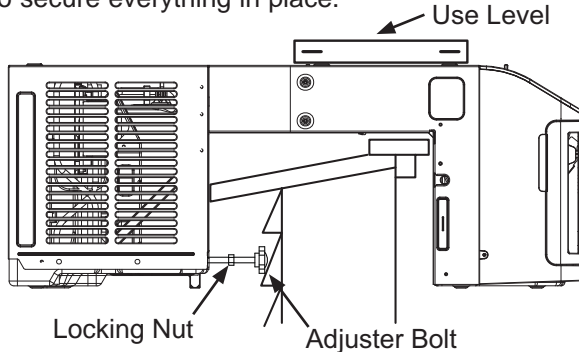
Apply Chaseway Underside Foam in this location

5. INSTALL UNIT IN WINDOW

- Lift the unit into and over the window. Center the unit on the Foam Mounting Supports. *It is recommended that 2 people lift the unit and place into the window*.

Note: Be careful not to pinch fingers at the bottom of the chase-way.

- Reach through the window opening and adjust the Adjustable Supports until the unit is secure against the outside wall. **Using a level, check that the unit is level front to back and side to side.** Once level and secure, reach back through the window and tighten the Locking Nut on the Adjustable Supports to secure everything in place.



Locking Nut

Adjuster Bolt

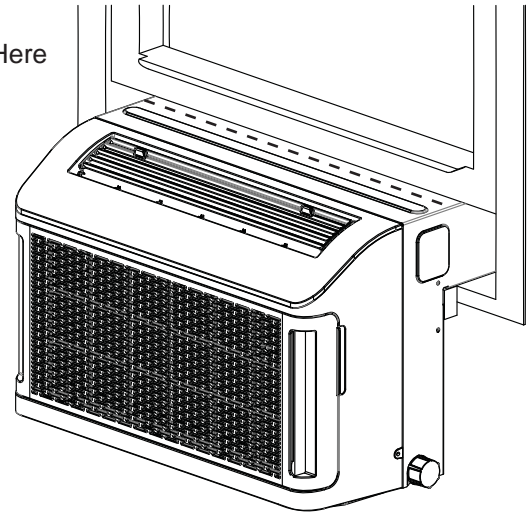
Use Level

6. INSTALLING SIDE FILLER PANELS

Attaching Side Panels

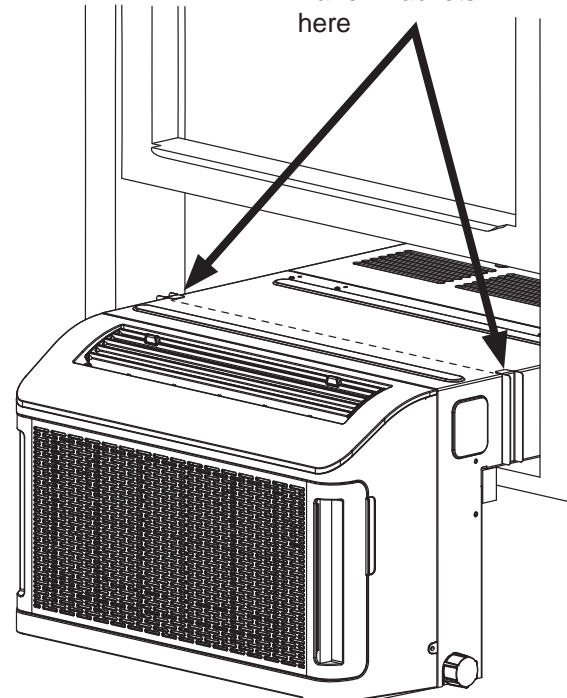
- Close the window and draw a line where the front edge of the window meets the top of the unit. Raise the window back up.

Mark Here



- Remove adhesive backing from the Side Panel Brackets. Place them onto unit so that the front edges are lined up with the drawn line as seen below.

Place Side Panel Brackets here

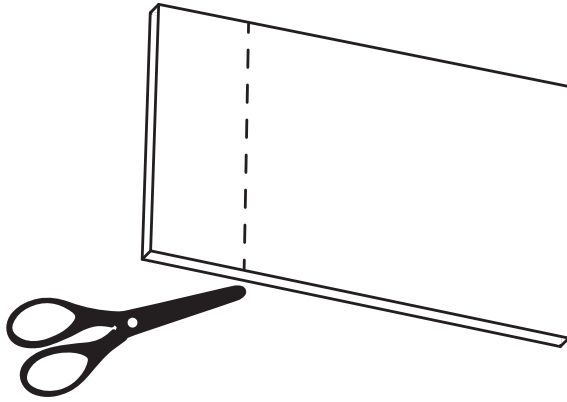


Installation Instructions

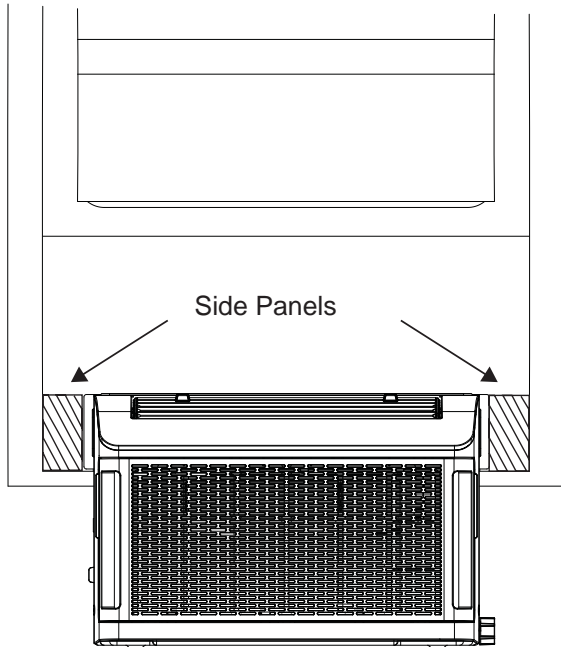
6. INSTALLING SIDE FILLER PANELS (cont)

Attaching Side Panels (cont)

- Measure the gaps from the side of the unit to the ends of the window and cut Foam Side Panels to size.



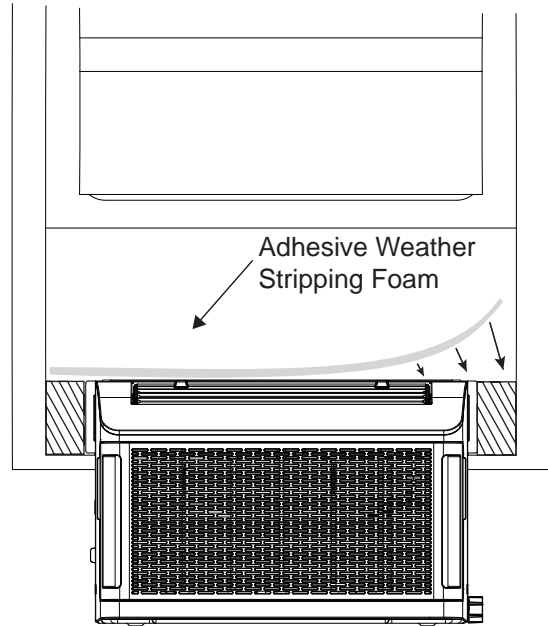
- Slide the Foam Side Panels into place within the Side Panel Brackets and ensure the gap to the end of the window is completely sealed.



- Foam Side Panels must be flush with the top of the unit. If panel sticks above chase-way, mark and cut accordingly.

7. INSTALL WEATHER STRIPPING FOAM ADHESIVE

- Cut the Adhesive Weather Stripping Foam to the width of the window. Peel off the backing and lay the foam across the width of the window, over the unit and side panels (following the line drawn with the pencil). After laying the foam down, close the window on top of it.

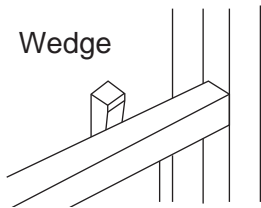


Installation Instructions

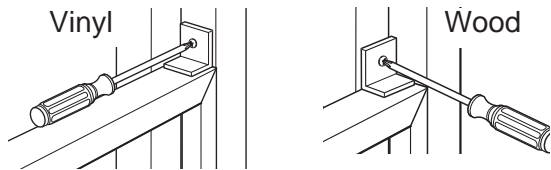
8. INSTALL WINDOW WEDGE, SASH LOCK, AND FOAM TOP WINDOW GASKET

A. A Window Wedge is supplied to provide easy access to open window when desired.

DISCLAIMER: The Window Wedge is primarily a convenience option and is not meant to be used for security. For something more secure, please consider the Sash Lock option below.



B. To provide additional security, a Sash Lock is provided. Attach the Sash Lock to the window side jamb with one Type B screw.



C. Stuff the Foam Top Window Gasket between the glass and the window to prevent air and insects from getting into the room.

The foam may need to be cut to fit depending on the window wedge position.



NOTE: If the gasket supplied does not fit your window, obtain appropriate material locally to provide a proper installation seal.

Troubleshooting

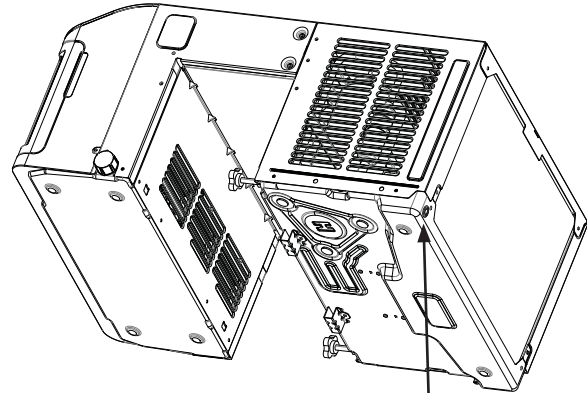
Problem	Possible Causes	What To Do
Unit displays error code "P1" and shuts unit off	The pump has had a problem or failed.	Drain indoor side of unit per instructions in the Care and Cleaning, Draining the Unit section. Hold down the SLEEP button for 3 seconds to clear error message. If the error code persists, the pump will need to be serviced.
Unit displays error code "FL" and shuts unit off	Internal tray is full.	Drain indoor side of unit per instructions in the Care and Cleaning, Draining the Unit section. Hold down the SLEEP button for 3 seconds to clear error message if still showing. If the error code persists, the pump will need to be serviced.
Air conditioner does not start	The air conditioner is unplugged.	Make sure the air conditioner plug is pushed completely into the outlet.
	The fuse is blown/circuit breaker is tripped.	Check the house fuse/circuit breaker box and replace the fuse or reset the breaker.
	Power failure.	The unit will automatically restart in the settings last used after the power is restored.
		There is a protective time delay (approximately 3 minutes) to prevent tripping of the compressor overload. For this reason, the unit may not start normal cooling for 3 minutes after it is turned back on.
	The current interrupter device is tripped.	Press the RESET button located on the power cord plug. If the RESET button will not stay engaged, discontinue use of the air conditioner and contact a qualified service technician.
Air conditioner does not cool as it should	Airflow is restricted.	Make sure there are no curtains, blinds or furniture blocking the vents on the front, bottom, and back of the air conditioner.
	The temp control may not be set correctly.	On models with touch pads: In the Cool mode, press the Decrease – pad.
		On models with control knobs, turn the temperature knob to a higher number.
	The air filter is dirty.	Clean the filter at least every 250 hours. See the <i>Care and Cleaning</i> section.
	The room may have been hot.	When the air conditioner is first turned on, you need to allow time for the room to cool down.
	Cold air is escaping.	Check for open furnace registers and cold air returns.
	Cooling coils have iced up.	See " Air conditioner freezing up " below.
Air conditioner freezing up	Ice blocks the air flow and stops the air conditioner from cooling the room.	On models with control knobs, set the mode control at High Fan or High Cool with the Temp at 1 or 2.
		On models with touch pads, set the controls at High Fan or High Cool and set the thermostat to a higher temperature.
The remote control is not working	The batteries are inserted incorrectly.	Check the position of the batteries. They should be inserted in the opposite (+) and (–) direction.
	The batteries may be dead.	Replace the batteries.
Water drips outside	Hot, humid weather.	This is normal.
Water drips indoors	The air conditioner is not tilted to the outside.	For proper water disposal, make sure the air conditioner slants slightly from the case front to the rear.
	Drain plug is unplugged	Make sure plug is pressed all the way into the unit.
	The air conditioner is not level from left to right	Ensure that the unit is level.
Water collects in base pan	Moisture removed from air and drains into base pan.	This is normal for a short period in areas with little humidity; normal for a longer period in very humid areas.

Troubleshooting

Normal Operating Sounds

- You may hear a pinging noise caused by water being picked up and thrown against the condenser on rainy days or when the humidity is high. This design feature helps remove moisture and improve efficiency.
- You may hear the thermostat click when the compressor cycles on and off.
- Water will collect in the base pan during high humidity or on rainy days. The water may overflow and drip from the outdoor side of the unit.
- The fan may run even when the compressor does not.
- To ensure maximum efficiency, it is recommended to check and see that the rubber Subbase Water Plug is properly inserted. This plug may be removed during operation to minimize water in the back of the unit; however, removing it will lower the efficiency of your unit.
- Water droplets being thrown against the outside coils can make a pinging noise. This helps cool the condenser. You can reduce this noise by opening the water hole seal located on the lower right side of the unit. Opening this seal will lower the Energy Efficiency of your unit.

NOTE: Do not drill hole in the base pan.



Subbase Water Plug

Keeping Unit Installed in Winter

- If you decide to keep your unit installed all year long, the indoor side of your unit may become cold to the touch when the weather gets cold outside.
- If you detect cool air coming from your unit, or frost, commercially available outdoor covers are sold and will help mitigate these issues.

WiFi Setup

GE Appliances SmartHQ (for customers in the United States)

Your AC is **GE Appliances SmartHQ Enabled**. Please visit GEAppliances.com/connect to learn more about connected appliance features, and to learn what connected appliance apps will work with your smart phone.

How it Works

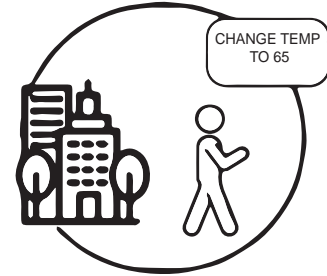
Download the GE Appliances App



Use the app to connect to your room air conditioner.



Once connected, use the app to adjust the air conditioner as desired.



WiFi Connectivity:

For assistance with the appliance or the appliance network connectivity, please call **1-800-220-6899**.

All connected appliance data is held in strict accordance with the GE Appliances Connected Data Privacy Policy. Visit geappliances.com/privacy/privacy_policy_connected to view this policy.

Questions about SmartHQ

Get answers you need about setting up WiFi appliances and connecting to your home network in our support articles.

Visit products.geappliances.com/appliance/gea-support-search-content to view wifi connect room air conditioner support articles.

WiFi Setup

REGULATORY INFORMATION

FCC/IC Compliance Statement:

This device complies with Part 15 of the FCC Rules. Operation is subject to the following two conditions:

1. This device may not cause harmful interference.
2. This device must accept any interference received, including interference that may cause undesired operation.

This equipment has been tested and found to comply with the limits for a Class B digital device, pursuant to Part 15 of the FCC Rules. These limits are designed to provide reasonable protection against harmful interference in a residential installation. This equipment generates uses and can radiate radio frequency energy and, if not installed and used in accordance with the instructions, may cause harmful interference to radio communications. However, there is no guarantee that interference will not occur in a particular installation. If this equipment does cause harmful interference to radio or television reception, which can be determined by turning the equipment off and on, the user is encouraged to try to correct the interference by one or more of the following measures:

- Reorient or relocate the receiving antenna.
- Increase the separation between the equipment and receiver.
- Connect the equipment into an outlet on a circuit different from that to which the receiver is connected.
- Consult the dealer or an experienced radio/television technician for help.

Labelling: Changes or modifications to this unit not expressly approved by the manufacturer could void the user's authority to operate the equipment.

*Select Models Only

This product has Wi-Fi capability and requires Internet connectivity and a wireless router to enable interconnection with an Energy Management System, and/or with other external devices, systems or applications.

Additional Information

Decommissioning

Before carrying out this procedure, it is essential that the technician is completely familiar with the equipment and all its detail. It is recommended good practice that all refrigerants are recovered safely. Prior to the task being carried out, an oil and refrigerant sample shall be taken in case analysis is required prior to re-use of reclaimed refrigerant. It is essential that electrical power is available before the task is commenced.

- a) Become familiar with the equipment and its operation.
- b) Isolate system electrically.
- c) Before attempting the procedure, ensure that:
 - mechanical handling equipment is available, if required, for handling refrigerant cylinders;
 - all personal protective equipment is available and being used correctly;
 - the recovery process is supervised at all times by a competent person;
 - recovery equipment and cylinders conform to the appropriate standards.
- d) Pump down refrigerant system, if possible.
- e) If a vacuum is not possible, make a manifold so that refrigerant can be removed from various parts of the system.
- f) Make sure that cylinder is situated on the scales before recovery takes place.
- g) Start the recovery machine and operate in accordance with manufacturer's instructions.
- h) Do not overfill cylinders. (No more than 80 % volume liquid charge).
- i) Do not exceed the maximum working pressure of the cylinder, even temporarily.
- j) When the cylinders have been filled correctly and the process completed, make sure that the cylinders and the equipment are removed from site promptly and all isolation valves on the equipment are closed off.
- k) Recovered refrigerant shall not be charged into another refrigeration system unless it has been cleaned and checked.

Labelling

Equipment shall be labelled stating that it has been de-commissioned and emptied of refrigerant. The label shall be dated and signed. For appliances containing **FLAMMABLE REFRIGERANTS**, ensure that there are labels on the equipment stating the equipment contains flammable refrigerant.

Recovery

When removing refrigerant from a system, either for servicing or decommissioning, it is recommended good practice that all refrigerants are removed safely. When transferring refrigerant into cylinders, ensure that only appropriate refrigerant recovery cylinders are employed. Ensure that the correct number of cylinders for holding the total system charge are available. All cylinders to be used are designated for the recovered refrigerant and labelled for that refrigerant (i.e. special cylinders for the recovery of refrigerant). Cylinders shall be complete with pressure-relief valve and associated shut-off valves in good working order. Empty recovery cylinders are evacuated and, if possible, cooled before recovery occurs. The recovery equipment shall be in good working order with a set of instructions concerning the equipment that is at hand and shall be suitable for the recovery of all appropriate refrigerants including, when applicable, **FLAMMABLE REFRIGERANTS**. In addition, a set of calibrated weighing scales shall be available and in good working order. Hoses shall be complete with leak-free disconnect couplings and in good condition. Before using the recovery machine, check that it is in satisfactory working order, has been properly maintained and that any associated electrical components are sealed to prevent ignition in the event of a refrigerant release. Consult manufacturer if in doubt. The recovered refrigerant shall be returned to the refrigerant supplier in the correct recovery cylinder, and the relevant waste transfer note arranged. Do not mix refrigerants in recovery units and especially not in cylinders. If compressors or compressor oils are to be removed, ensure that they have been evacuated to an acceptable level to make certain that flammable refrigerant does not remain within the lubricant. The evacuation process shall be carried out prior to returning the compressor to the suppliers. Only electric heating to the compressor body shall be employed to accelerate this process. When oil is drained from a system, it shall be carried out safely.

GE Appliances Limited Warranty

LIMITED WARRANTY

For The Period Of:	Will Replace:
One Year From the date of the original purchase	Replacement, repair, or refund of the original retail price for any product which fails due to a defect in materials or workmanship. If the unit is exchanged, the replacement unit is warranted for the remainder of your product's original one-year warranty period. GE Appliances will, at its sole discretion, replace the product with a product of the same or comparable functionality and quality or refund the original retail price.

In Order to Make a Warranty Claim During Your Retailer's Allowable Return Period:

- Properly pack your unit. We recommend using the original carton and packing materials.
- Return the product to the retail location where it was purchased.
- Include in the package a copy of the sales receipt or other evidence of date of original purchase. Also print your name and address and a description of the defect.

In Order to Make a Warranty Claim During the Remainder of the One-Year Warranty:

- Locate your sales receipt and make note of the model and serial number.
- Call GE Appliance Service at 1-800-GEcares (1-800-432-2737) or visit GEAppliances.com/service to initiate a warranty claim.
- You will be asked to provide your name, address, receipt information, model and serial number.
- Warranty claims may require electronic or mailed-in evidence of purchase.

What Will Not Cover:

- Customer instruction. This owner's manual provides information regarding operating instructions and user controls.
- Improper installation. If you have an installation problem, or if the product is of improper capacity, contact your dealer or installer. You are responsible for providing adequate electrical connecting facilities.
- Failure of the product resulting from modifications to the product or due to unreasonable use including failure to provide reasonable and necessary maintenance.
- Replacement of house fuses or resetting of circuit breakers.
- Failure due to corrosion.
- Damage to the product caused by improper power supply voltage, accident, fire, floods or acts of God.
- Incidental or consequential damage caused by possible defects with this product.
- Damage caused after delivery.

EXCLUSION OF IMPLIED WARRANTIES - Your sole and exclusive remedy is product repair as provided in this Limited Warranty. Any implied warranties, including the implied warranties of merchantability or fitness for a particular purpose, are limited to one year or the shortest period allowed by law.

For US Customers: This limited warranty is extended to the original purchaser and any succeeding owner for products purchased for home use within the USA. If the product is located in an area where service by a GE Appliances Authorized Servicer is not available, you may be responsible for a trip charge or you may be required to bring the product to an Authorized GE Appliances Service location for service. In Alaska, the limited warranty excludes the cost of shipping or service calls to your home.

Some states do not allow the exclusion or limitation of incidental or consequential damages. This limited warranty gives you specific legal rights, and you may also have other rights which vary from state to state. To know what your legal rights are, consult your local or state consumer affairs office or your state's Attorney General.

Warrantor US:
GE Appliances, a Haier company
 Louisville, KY 40225

Staple your receipt here. Proof of the original purchase date is needed to obtain service under the warranty.

Consumer Support

GE Appliances Website

Have a question or need assistance with your appliance? Try the GE Appliances Website 24 hours a day, any day of the year! You can also shop for more great GE Appliances products and take advantage of all our on-line support services designed for your convenience. In the US: **GEAppliances.com**

Register Your Appliance

Register your new appliance on-line at your convenience! Timely product registration will allow for enhanced communication and prompt service under the terms of your warranty, should the need arise. You may also mail in the pre-printed registration card included in the packing material. In the US: **GEAppliances.com/register**

Parts and Accessories

Individuals qualified to service their own appliances can have parts or accessories sent directly to their homes (VISA, MasterCard and Discover cards are accepted). Order on-line today 24 hours every day. In the US: **GEApplianceparts.com** or by phone at 877.959.8688 during normal business hours.

Instructions contained in this manual cover procedures to be performed by any user. Other servicing generally should be referred to qualified service personnel. Caution must be exercised, since improper servicing may cause unsafe operation.

Contact Us

If you are not satisfied with the service you receive from GE Appliances, contact us on our Website with all the details including your phone number, or write to:

In the US: General Manager, Customer Relations | GE Appliances, Appliance Park | Louisville, KY 40225
GEAppliances.com/contact



ACCONDICIONADORES DE AIRE PARA SALA

INFORMACIÓN DE SEGURIDAD ...3

INSTRUCCIONES DE OPERACIÓN.....5

CUIDADO Y LIMPIEZA8

INSTRUCCIONES DE INSTALACIÓN9

CONSEJOS PARA LA SOLUCIÓN DE PROBLEMAS16

CONFIGURACIÓN WIFI18

GARANTÍA LIMITADA21

SOPORTE AL CLIENTE22

MANUAL DEL PROPIETARIO Y INSTRUCCIONES DE INSTALACIÓN

PHNT10
PHNT12

Antes de comenzar

Registre el número de módulo de GE Appliances y su contraseña para la configuración del wifi. Para ubicar esta información, consulte la página 18.

módulo de GE Appliances _____

de Contraseña: _____

Escriba los números de modelo y de serie aquí:

Nº de Modelo _____

Nº de Serie _____

Estos números se encuentran en una etiqueta al costado del acondicionador de aire.

GRACIAS POR HACER QUE GE APPLIANCES SEA PARTE DE SU HOGAR.

Ya sea que haya crecido usando GE Appliances, o que ésta es su primera vez, nos complace tenerlo en la familia.

Sentimos orgullo por el nivel de arte, innovación y diseño de cada uno de los electrodomésticos de GE Appliances, y creemos que usted también. Entre otras cosas, el registro de su electrodoméstico asegura que podamos entregarle información importante del producto y detalles de la garantía cuando los necesite.

Registre su electrodoméstico GE ahora a través de Internet. Sitios Web y números telefónicos útiles están disponibles en la sección de Soporte para el Consumidor de este Manual del Propietario.

También puede enviar una carta en la tarjeta de inscripción preimpresa que se incluye con el material embalado.



GE APPLIANCES

INFORMACIÓN IMPORTANTE DE SEGURIDAD

LEA TODAS LAS INSTRUCCIONES ANTES DE USAR

⚠ ADVERTENCIA Para su seguridad, siga las instrucciones de este manual a fin de minimizar riesgos de incendio, descargas eléctricas o heridas personales.

- Use este electrodoméstico sólo para su propósito original, como se describe en el Manual del Propietario.
- Este acondicionador de aire se debe instalar de forma apropiada de acuerdo con las Instrucciones de Instalación antes de ser usado.
- Nunca desenchufe su acondicionador de aire empujando el cable de corriente. Siempre tome su enchufe de manera firme y empuje el mismo hacia afuera del receptáculo.
- Reemplace de inmediato todos los cables del servicio de electricidad pelados o con cualquier tipo de daño. Un cable del servicio de corriente que esté dañado deberá ser reemplazado por uno nuevo provisto por el fabricante, y no deberá ser reparado. No use un cable con cortaduras o abrasión sobre su extensión o en cualquiera de sus enchufes o extremos.
- Coloque la unidad en OFF (Apagado) y desenchufe el acondicionador de aire antes de usar el mismo.
- Para su seguridad... no acumule ni use materiales combustibles, gasolina u otros vapores o líquidos inflamables cerca de éste u otro electrodoméstico.
- Si el receptáculo no coincide con el enchufe, el cambio del mismo deberá ser realizado por un electricista calificado.
- GEAppliances no brinda ningún servicio técnico de componentes del sistema sellado (es decir: piezas que contengan refrigerante) del acondicionador de aire.
- El servicio técnico del resto de los componentes SÓLO podrá ser completado por un técnico calificado.
- Este electrodoméstico no deberá ser usado por personas (incluyendo niños) con capacidades físicas, sensoriales o mentales reducidas o con falta de experiencia y conocimiento, a menos que cuenten con supervisión o instrucción con relación al uso de este electrodoméstico por parte de una persona responsable de su seguridad.
- Los niños deberán ser supervisados a fin de asegurar que no se juegue con el electrodoméstico.
- No utilice su acondicionador de aire en una habitación húmeda tal como un baño o lavadero.
- El electrodoméstico se deberá guardar a fin de evitar que se produzcan daños mecánicos.



⚠ ADVERTENCIA Riesgo de Incendio o Explosión. Esta unidad contiene refrigerante inflamable. Se deben seguir las precauciones adicionales de seguridad.

- A fin de acelerar el proceso de descongelación o para limpiar, no use ningún método que no sea el recomendado por el fabricante.
- Este electrodoméstico deberá ser guardado en una sala donde no haya fuentes de encendido continuas (por ejemplo: llamas abiertas, un electrodoméstico que funcione a gas o un calefactor que funcione a electricidad).
- No perforo ni queme el tubo refrigerante. Tenga presente que los refrigerantes no deben tener olor.
- Mantenga las aberturas de la ventilación libres de obstrucciones.
- Al mover, instalar y operar el electrodoméstico, se deberá tener cuidado para evitar dañar la tubería del refrigerante.
- No realice perforaciones en la unidad.
- El mantenimiento, la limpieza y el servicio técnico sólo deberán ser realizados por técnicos adecuadamente entrenados y calificados en el uso de refrigerantes inflamables.
- GEAppliances no brinda ningún servicio técnico de componentes del sistema sellado (es decir: piezas que contengan refrigerante) del acondicionador de aire.
- Descarte el electrodoméstico de acuerdo con las Regulaciones Federales y Locales. Los refrigerantes inflamables requieren procedimientos de descarte específicos. A fin de descartar su acondicionador de aire de forma ambientalmente segura, comuníquese con las autoridades locales.

⚠ ADVERTENCIA USO DE PROLONGADORES

RIESGO DE INCENDIO. Podría ocasionar lesiones graves o la muerte.

- NO use un prolongador con este Acondicionador de Aire de Ventana.
- NO use protectores contra picos de corriente ni adaptadores para múltiples tomacorrientes con este Acondicionador de Aire de Ventana.

LEA Y GUARDE ESTAS INSTRUCCIONES

INFORMACIÓN IMPORTANTE DE SEGURIDAD LEA TODAS LAS INSTRUCCIONES ANTES DE USAR

CÓMO CONECTAR LA ELECTRICIDAD

Nunca, bajo ninguna circunstancia, corte o elimine el tercer cable (tierra) del cable de corriente. Para su seguridad personal, este electrodoméstico debe estar adecuadamente conectado a tierra.

NO use un enchufe adaptador con este electrodoméstico.

El cable de corriente de este electrodoméstico contiene un enchufe de 3 cables (conexión a tierra) que se conecta a un tomacorriente de pared estándar de 3 cables (conexión a tierra) para minimizar la posibilidad de riesgos de descargas eléctricas por parte del mismo.

El cable de corriente incluye un interruptor de corriente. Se brinda un botón de evaluación y reinicio en la caja del enchufe. El dispositivo deberá ser evaluado en forma periódica, presionando primero el botón **TEST** (Evaluar) y luego **RESET** (Reinicio) mientras se encuentre enchufado al tomacorriente. Si el botón **TEST** (Evaluar) no se activa o el botón **RESET** (Reinicio) no permanece en su posición, deje de usar el acondicionador de aire y comuníquese con un técnico calificado del servicio.

Contrate a un electricista calificado para que controle el tomacorriente y el circuito eléctrico para asegurar que el enchufe esté correctamente conectado a tierra.

En caso de contar con un tomacorriente de pared de 2 cables, es su responsabilidad y obligación reemplazarlo por un tomacorriente de pared de 3 cables correctamente conectado a tierra.

El acondicionador de aire debería estar siempre conectado a un enchufe específico con un índice de voltaje equivalente al que figura en su etiqueta de características técnicas.

Esto garantiza el mejor funcionamiento y además previene la sobrecarga de los circuitos del hogar, lo cual podría ocasionar riesgos de incendio debido al recalentamiento de cables.

Para conocer los requisitos específicos de la conexión eléctrica, consulte las Instrucciones de Instalación, Requisitos Eléctricos.

IMPORTANTE

NOTA: Este acondicionador de aire fue diseñado para un uso bajo las siguientes condiciones y su rendimiento se podrá ver reducido fuera de estas temperaturas de funcionamiento.

Funcionamiento con Refrigeración	Temperatura Exterior:	70-109°F/21-43°C (70-118°F/21-48°C para modelos tropicales especiales)
	Temperatura Interior:	70-90°F/21-32°C

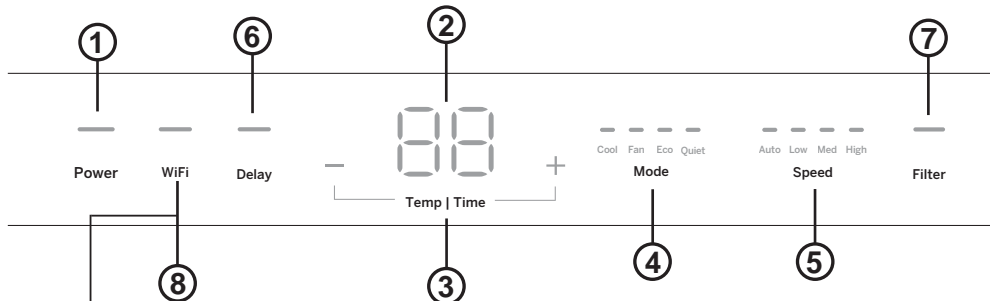
En las estaciones durante las cuales el acondicionador de aire no se encuentre en uso, asegúrese de drenar toda el agua de la unidad. No realizar esta acción podrá ocasionar congelamientos no deseados, que podrán afectar el funcionamiento durante la siguiente estación de uso. Para más información sobre cómo drenar la unidad de forma correcta, consulte la sección de Cuidado y Limpieza, Drenaje de la Unidad.

Controles

Las funciones y la apariencia podrán variar.

Las luces al lado de las teclas táctiles del panel de control del acondicionador de aire indican las configuraciones seleccionadas.

Controles del Acondicionador de Aire



La luz sólida indica que el Wi-Fi está conectado

La luz parpadeante indica que se está conectando

Consulte la sección de Comunicación del electrodoméstico de este manual

1. Tecla de Power (Encendido)

Apaga y prende el acondicionador de aire. Al encenderse, la pantalla mostrará la temperatura Definida.

2. Pantalla

Muestra la temperatura Definida o el tiempo restante en el Sincronizador de retardo. Muestra la temperatura Definida al configurar la temperatura en los modos **Quiet**, **Cool** o de **Eco**. La luz de **Ajuste** se encenderá durante la configuración.

3. Teclas de Temp Aumento + /Reducción -

Usado para ajustar la temperatura cuando se encuentre en el modo **Quiet**, **Cool** o de **Eco**. La luz de Ajuste se encenderá durante la configuración.

4. Tecla de Mode (Modo)

Usado para ajustar el acondicionador de aire al modo **Fan Only**, **Cool**, **Eco** or **Quiet**.

5. Teclas de Fan Speed (Velocidad del ventilador)

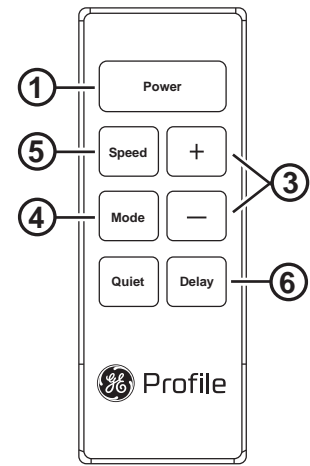
En modo **Cool** (Frío) o **Eco** (Ahorro de energía): Use las mismas para configurar la velocidad del ventilador en **Auto**, **High** (Alto), **Med** (Medio), o **Low** (Bajo) en la unidad.

En modo **Teclas de Fan Speed (Velocidad del ventilador)**: Use las mismas para configurar la velocidad del ventilador en **High** (Alto), **Med** (Medio), o **Low** (Bajo) en la unidad. En el modo Silencioso, la velocidad del ventilador se establecerá automáticamente en Baja (el indicador es Automático).

6. Tecla de Retraso

Delay ON (Retraso Encendido)—Cuando el acondicionador de aire se encuentre apagado, se podrá configurar para que se encienda automáticamente en un período de entre 1 y 24 horas en el modo y configuraciones del ventilador previas.

Delay OFF (Retraso del Apagado)—Cuando el acondicionador de aire se encuentre encendido, se podrá configurar automáticamente para que se apague en un período de entre 1 y 24 horas.



Control Remoto

Cómo configurar:

Presione la tecla Delay (Retraso). Cada vez que se presionen las teclas + / -, se configurará el temporizador en intervalos de 1 hora.

Para revisar el tiempo restante del temporizador de retraso, presione la tecla Delay (Retraso). Use las teclas Increase + / Decrease - (Incrementar + / Reducir -) para configurar un nuevo tiempo, si se desea.

Para cancelar el temporizador, presione la tecla Decrease - (Reducir -) hasta que el tiempo de configuración esté '0:00'.

7. Tecla de Reinicio del Filtro

Esta función automática le notifica que el filtro de aire debe ser limpiado. La luz indicadora se encenderá luego de 250 horas de funcionamiento. Limpie el filtro de aire (consulte la página 7), vuelva a colocarlo en el panel frontal, y presione la tecla **Filter Reset** (Reinicio del Filtro). La luz se apagará.

8. WiFi Connect

WiFi Connect le permite la conexión del acondicionador de aire al WiFi del hogar. Descargue los detalles de la **SmartHQ** Aplicación en GEAppliances.com/connect.

9. Sabbath Mode (Modo Sabático)

Mantenga presionados los botones Power (Encender) y Speed (Velocidad) en la interface de usuario durante 3 segundos para iniciar a Sabbath Mode (Modo Sabático).

Cuando la unidad está en el modo sabático, todas las pulsaciones de un solo botón o la entrada de la aplicación no estarán operativas hasta que la unidad haya salido del modo sabático. El panel mostrará 'SA'. Presione los botones Power (Encender) y Speed (Velocidad) de forma simultánea para apagar Sabbath Mode (Modo Sabático). La unidad abandonará Sabbath Mode (Modo Sabático) de forma automática si no se presiona ningún botón dentro de las 96 horas desde su inicio.

Uso del Acondicionador de Aire

No Utilizar con Condiciones Climáticas Exteriores de Congelación

Este acondicionador de aire sólo frío no fue diseñado para uso con condiciones climáticas exteriores de temperatura helada.

No deberá ser usado con condiciones climáticas exteriores de temperatura helada.

Función de Luces Encendidas/ Apagadas del Panel de Control

Este acondicionador de aire cuenta con una función de panel de control de luces encendidas/ apagadas, donde dichas luces se apagarán cuando no haya actividad en los controles por más de un minuto. Para reactivar los controles, presione cualquier tecla de los controles y las luces se iluminarán para

mostrar las configuraciones previas. Para desactivar esta función, mantenga presionada la tecla Delay, sobre la unidad, durante 5 segundos. La unidad emitirá un pitido para señalar que la función fue encendida o apagada con éxito.

Función de Sonido Activado/ Desactivado del Panel de Control

Este acondicionador de aire cuenta con una función de sonidos activados/ desactivados en el panel de control el cual se puede usar para ambas funciones al presionar un botón de la interface de usuario. Esta función se activa por omisión, lo cual significa que el acondicionador de aire emitirá un sonido cuando se presione cualquier botón de la interface

de usuario. Para desactivar esta función a fin de silenciar los botones al ser presionados, mantenga presionado el botón Filter (Filtro) de la interface de usuario durante 5 segundos. El acondicionador de aire emitirá un pitido para señalar que la función fue activada o desactivada con éxito

Control Remoto

- Para asegurar un uso apropiado, apunte el control remoto al receptor de señal del acondicionador de aire.
- La señal del control remoto cuenta con un alcance de hasta 20 pies.

- Asegúrese de que no haya obstrucciones entre el acondicionador de aire y el control remoto que pudieran bloquear la señal.
- Asegúrese de que las pilas sean nuevas y que estén instaladas correctamente, como se indica en el control remoto.

Modo Cool (Frío)

Use el modo **Cool (Frío)** a **Low (Bajo)**, **Med (Medio)**, **High (Alto)** o **Auto Fan Speed (Velocidad de ventilador automática)** para enfriar. Use las teclas de **Temperature (Temperatura) Aumento + / Reducción -** para ajustar a la temperatura deseada entre 64°F y 86°F en incrementos de 1°F.

Se usa un termostato electrónico para mantener la temperatura ambiente. El compresor se encenderá y apagará cíclicamente y también cambiará las velocidades de funcionamiento para mantener la habitación en el nivel de comodidad establecido. Ajuste el termostato a un número menor y el aire interno se enfriará más. Si lo ajusta a un número mayor, la temperatura del aire interno se calentará más.

NOTA: Si el acondicionador de aire está apagado y luego se enciende mientras se ajusta en la configuración Cool (Frío) o si se pasa de una configuración de ventilación a una configuración de Cool (Frío), es posible que al compresor le tome aproximadamente 3 minutos comenzar y que comience la refrigeración.

Descripciones de enfriamiento

Para enfriamiento normal—Seleccione el modo **Cool (Frío)** y ventilador **High (Alto)** o **Med (Medio)** con una temperatura de ajuste media.

Para enfriamiento máximo—Seleccione el modo **Cool (Frío)** y ventilador **High (Alto)** con una temperatura de ajuste menor.

Para enfriamiento silencioso y enfriamiento nocturno—Seleccione el modo **Cool (Frío)** y ventilador **Low (Bajo)** con una temperatura de ajuste media.

Eco (Modo de ahorro de energía)

Controla el ventilador.

ON (ENCENDIDO)—El ventilador hará un ciclo de encendido y apagado con el compresor. Este resulta en variaciones mayores en la temperatura de la habitación.

NOTA: es posible que el ventilador continúe funcionando durante un período de tiempo corto o que titile de forma intermitente cuando el compresor finalice su ciclo para probar el aire de la sala.

OFF (APAGADO)—El ventilador funciona todo el tiempo, mientras que el compresor pasa por los ciclos de encendido y apagado.

Modo de Fan Only (Solo ventilador)

Use Fan Only Mode en la velocidad de ventilador Low, Med o High, a fin de brindar una circulación de aire y filtrado sin enfriamiento. Debido a que las configuraciones de sólo

ventilador no brindan enfriamiento, no se podrá ingresar una temperatura configurada. La temperatura del ambiente aparecerá en la pantalla.

Velocidad Automática del Ventilador

Configure en **Auto (Automática)** para que la velocidad del ventilador se configure de forma automática en la velocidad necesaria para brindar ajustes de confort óptimos con la temperatura configurada.

Si se necesita más frío en la habitación, la velocidad del ventilador se incrementará de forma automática. Si se necesita más frío en la habitación, la velocidad del ventilador se reducirá de forma automática.

Uso del Acondicionador de Aire

Modo silencioso

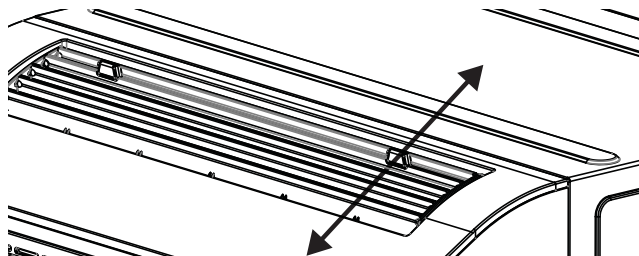
El modo silencioso garantizará el modo de funcionamiento más silencioso para satisfacer la temperatura establecida y proporcionar comodidad en el espacio que se va a enfriar. Es normal que la unidad funcione durante un período más largo con niveles de consumo de energía más bajos para lograr esto.

Es normal escuchar las velocidades de cambio de la unidad si siente que la habitación se vuelve incómoda.

Nota: No se sugiere usar **QUIET MODE (Modo Silencioso)** cuando la temperatura sea superior a 104°F (40°C)

Dirección del Aire

Use las palancas para ajustar la dirección del aire hacia arriba y abajo.



Cuidado y limpieza

Parrilla y Caja

Apague el acondicionador de aire y retire el enchufe del tomacorriente antes de limpiar.

Para limpiar, use agua y un detergente suave. No use blanqueadores ni abrasivos.

Filtros

Todos los filtros se deberán controlar y limpiar por lo menos cada 250 horas o con mayor frecuencia, de ser necesario. Limpie los filtros con agua caliente y jabón. Enjuague y deje secar los filtros antes de su reemplazo. No limpie los filtros en un lavavajillas.

Filtro Frontal:

Acceda al Filtro Frontal abriendo primero la rejilla de entrada. Empuje las pestañas sobre los lados superiores de la rejilla hacia usted y deje la misma a un costado. Desde aquí, empuje hacia abajo sobre las pestañas superiores negras del filtro. Una vez que la parte superior del filtro haya salido de su posición, levante el mismo hacia arriba y realice su retiro del dispositivo.

Filtro Lateral:

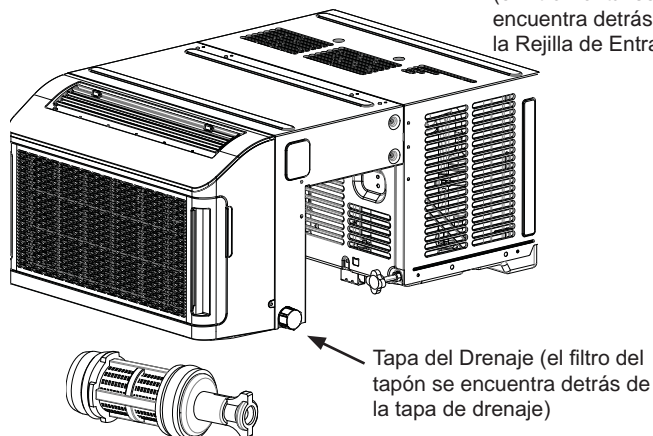
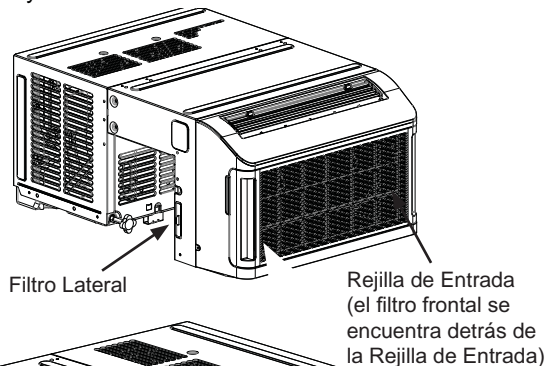
Ubique la pestaña sobre el lado izquierdo de la unidad y empuje el filtro directamente hacia afuera.

Filtro del Tapón:

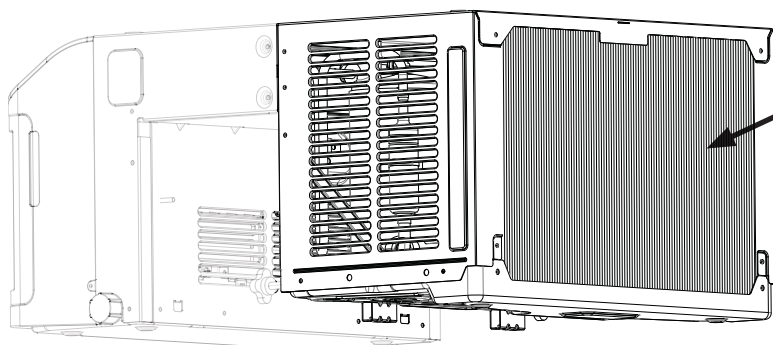
NOTA: El agua no saldrá luego de retirar la tapa; sin embargo, se comenzará a drenar tan pronto como el Filtro del Tapón sea retirado. Asegúrese de contar con los medios adecuados para recolectar agua debajo de la unidad antes de retirar el tapón.

Ubique la tapa del drenaje sobre el lateral derecho de la unidad. Retire la tapa y empuje el tapón directamente hacia afuera.

⚠ PRECAUCIÓN NO utilice el acondicionador de aire sin un filtro, ya que la suciedad y las pelusas producirán atascamientos y reducirán su funcionamiento.



Cuidado y limpieza



Bobinas Exteriores

Las bobinas del lado exterior del acondicionador de aire se deberán controlar de forma regular. Si se encuentran atascadas con tierra u hollín, deberán ser limpiadas por un profesional.

Cómo insertar las pilas en el control remoto

1. Retire la cubierta de la pila deslizándola de acuerdo con la dirección de la flecha.
2. Inserte pilas nuevas cerciorándose de que los polos positivos (+) y negativos (-) están orientados correctamente.
3. Coloque la cubierta otra vez deslizándola en su lugar.

NOTAS:

- Use 2 pilas "AAA" de 1,5 voltios. No use pilas recargables.
- Retire las pilas del control remoto si no va a usar el sistema por un período prolongado.
- No mezcle baterías nuevas y viejas. No mezcle baterías estándar (carbono-cinc) orecargables (ni-cad,ni-mh,etc).

Drenaje de la Unidad

Con el paso del tiempo, el acondicionador de aire acumulará agua tanto del lado interior como del exterior. Por diversas razones, tales como la preparación para la estación de frío, esta agua se deberá eliminar de la unidad.

NOTA: Antes de drenar el lado interior, asegúrese de contar con los medios adecuados para recolectar agua debajo de la unidad. Ubique la Tapa del Drenaje sobre el lateral derecho de la unidad. Retire la Tapa de Drenaje y empuje el Tapón del Filtro directamente hacia afuera para drenar la unidad. Una vez que el agua se detenga, reinserte el Tapón del Filtro y vuelva a asegurar el mismo con la Tapa de Drenaje.

NOTA: Sólo intente drenar el lado Exterior si esto es necesario y usted puede acceder a la unidad desde el lado exterior. Para más información sobre el drenaje del lado Exterior, consulte la sección de Solución de Problemas, Sonidos de Funcionamiento Normal.

Instrucciones de instalación

¿Preguntas? Visite nuestra página en la red en: GEAppliances.com

ANTES DE INICIAR

Lea estas instrucciones completa y cuidadosamente.

- **IMPORTANTE** — Guarde estas instrucciones para uso del inspector local.
- **IMPORTANTE** — Observe todos los códigos y órdenes de ley.
- **Nota al instalador** – Asegúrese de dejar estas instrucciones con el consumidor.
- **Nota al consumidor** – Conserve estas instrucciones para referencia futura.
- **Nivel de destreza** – La instalación de este aparato requiere de destrezas mecánicas básicas.
- **Tiempo de ejecución** – Aprox. 1 hora
- Recomendamos dos personas para la instalación de este producto.
- La instalación apropiada es la responsabilidad del instalador.
- La falla del producto debido a una instalación inadecuada no está cubierta por la garantía.
- Cuando instale este acondicionador de aire, DEBE usar todas las piezas suministradas y usar procedimientos adecuados de instalación.

REQUISITOS ELÉCTRICOS



Estos modelos requieren tomacorrientes de 115/120 voltios de corriente alterna y 60 Hz conectados a tierra, protegidos con un fusible de dilatación de tiempo de 15 amperios o un cortacircuitos.

El enchufe de tres púas con conexión a tierra minimiza la posibilidad de descargas eléctricas. Si el tomacorriente de la pared que usted planea usar solamente tiene 2 tomas, es su responsabilidad hacer que un técnico lo reemplace por uno de tres tomas con conexión a tierra.

⚠PRECAUCIÓN

Bajo ninguna circunstancia corte o remueva la tercera púa (conexión a tierra) del cable eléctrico. No cambie el enchufe en el cable eléctrico de este acondicionador de aire. Los cables caseros de aluminio podrían presentar problemas especiales. Consulte a un técnico electricista calificado. problems—consult a qualified electrician.

DESEMBALAJE DEL AIRE ACONDICIONADO

⚠WARNING

PELIGRO DE PESO EXCESIVO:

cuando mueva o levante el aire acondicionado, utilice dos o más personas. Use guantes cuando manipule el acondicionador de aire para protegerse contra posibles bordes afilados y aletas metálicas.

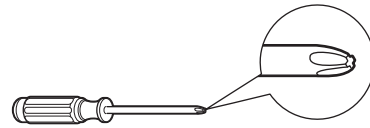
Retire los materiales de embalaje

- Retire los materiales de embalaje. Guarde la caja y el embalaje de espuma para guardar la unidad cuando no esté en uso.

NOTA: NO hay material de embalaje interno dentro del acondicionador de aire para quitar; NO abra el gabinete.

- Manipule el acondicionador de aire con cuidado.
- Mantenga el acondicionador de aire en posición vertical y nivelado. No coloque el acondicionador de aire de lado, al frente, atrás o al revés.
- El acondicionador de aire debe estar en posición vertical durante 2 horas antes de la instalación y operación.

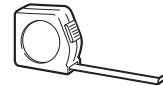
Herramientas que necesitará



Un destornillador de estrella



Lápiz



Una regla o cinta métrica



Nivel



Tijeras o cuchilla



VIDEOS DE SOPORTE

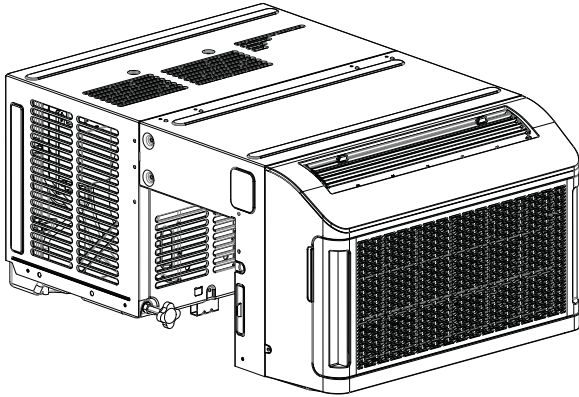
Escanee el Código QR para acceder a los videos de soporte de la instalación.

El cable de alimentación incluye un dispositivo para interrupción de corriente. Se incluye un botón de prueba y de reinicio en el dispositivo. El dispositivo debe ponerse a prueba periódicamente: primero se presiona el botón de TEST (prueba) y luego RESET (reinicio) mientras se encuentra enchufado al tomacorriente. Si el botón TEST no se dispara o si el botón RESET no queda enganchado, deje de utilizar el acondicionador de aire y comuníquese con un técnico calificado.

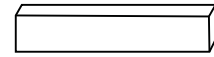
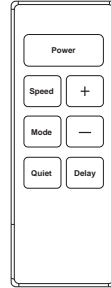
Instrucciones de instalación

PARTES INCLUIDAS (Apariencia puede variar)

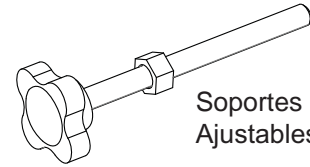
Acondicionador de aire (1)



Control Remoto (1)

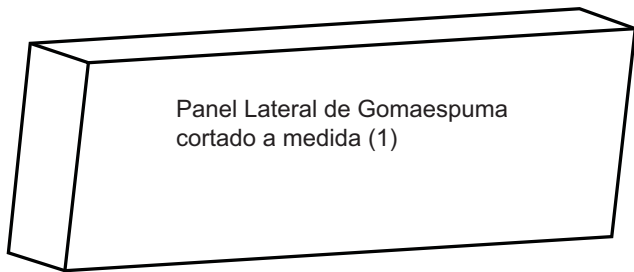
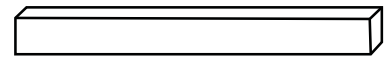


Espaciador de Gomaespuma (1)
(sólo es necesario si el alféizar/
borde de la ventana no sobresale .5")

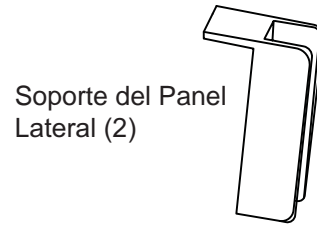


Soportes
Ajustables (2)

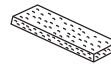
Soporte de Montaje de
Gomaespuma (2)



Panel Lateral de Gomaespuma
cortado a medida (1)

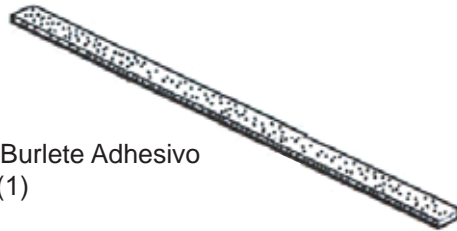


Soporte del Panel
Lateral (2)

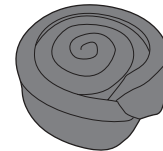


Goamespuma para
el Lado Inferior de la
Ruta de Cables (2)

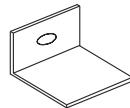
Junta Superior
de Ventana de
Gomaespuma (1)



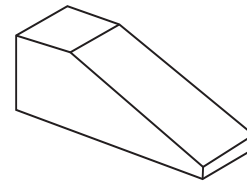
Gomaespuma del Burlete Adhesivo
cortada a medida (1)



Tornillos Tipo B
(2) (solo necesito
uno)



Pasador giratorio (1)

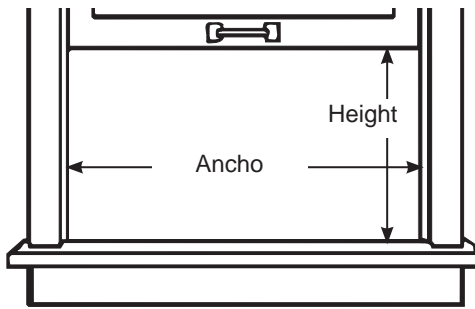


Cuña de Ventana (1)

Instrucciones de instalación

1. REQUISITOS PARA LA VENTAN

- Estas instrucciones son para una ventana estándar de dos pliegues. Usted necesitará modificar el proceso para otros tipos de ventanas.
- El acondicionador de aire se puede instalar sin los paneles de gomaespuma laterales, si es necesario que se ajuste a una ventana angosta. Observe las dimensiones de apertura de la ventana. .
- Todas las partes de apoyo deben quedar totalmente aseguradas a algún metal, mampostería o a la madera.
- El tomacorriente eléctrico debe estar al alcance del cable eléctrico del acondicionador de aire.
- Siga las dimensiones de la tabla y la ilustración según su modelo.



Ancho	Altura Mín	Altura Mín. desde el Piso
20"-40"	13"	10"

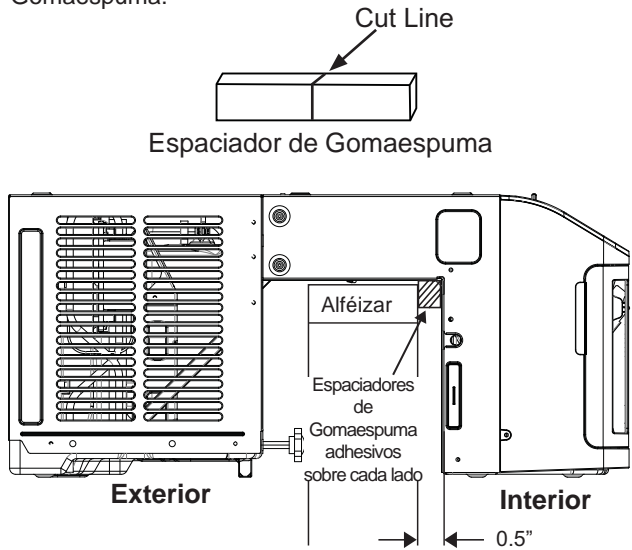
- Evite bloquear las ventanas sobre la parte trasera del lado interior de la unidad. Deberá haber una brecha MÍNIMA de 0.5 pulgadas entre la pared interior y la parte trasera de la unidad.
- Por favor sigas las instrucciones que figuran a continuación, dependiendo de su ventana.

1. REQUISITOS PARA LA VENTAN

Si el alféizar/ borde de la ventana interior sobresale más de 0.5", no será necesario el uso de Espaciadores de Gomaespuma.

Si el alféizar/ borde de la ventana interior NO sobresale más de 0.5", será necesario el uso de dos Espaciadores de Gomaespuma. Corte a la mitad el Espaciador de Gomaespuma provisto y adhiera cada pieza a los ángulos superiores de la unidad debajo de la ruta del cableado, como se muestra a continuación. Esto creará la brecha necesaria.

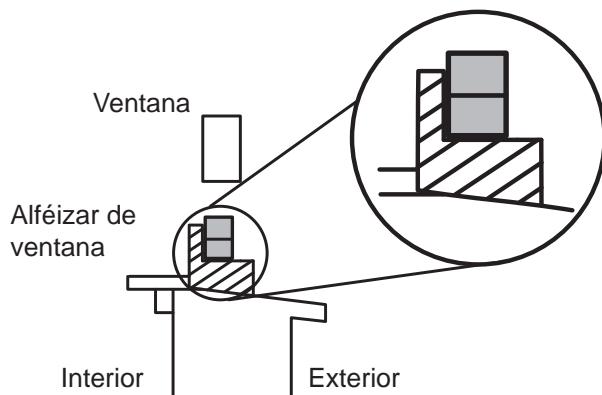
Vista lateral de la ubicación del Espaciador de Gomaespuma:



2. PREPARE EL ACONDICIONADOR DE AIRE

- Mida el ancho de la abertura de la ventana y marque el centro de la abertura de la ventana.
- Centre el Soporte de Montaje de Gomaespuma en la abertura de la ventana, retire el soporte adhesivo e instale la cantidad necesaria de Soportes de Montaje de Gomaespuma necesarios para elevar la unidad sobre el alféizar de su ventana.

Soportes de Montaje de Gomaespuma



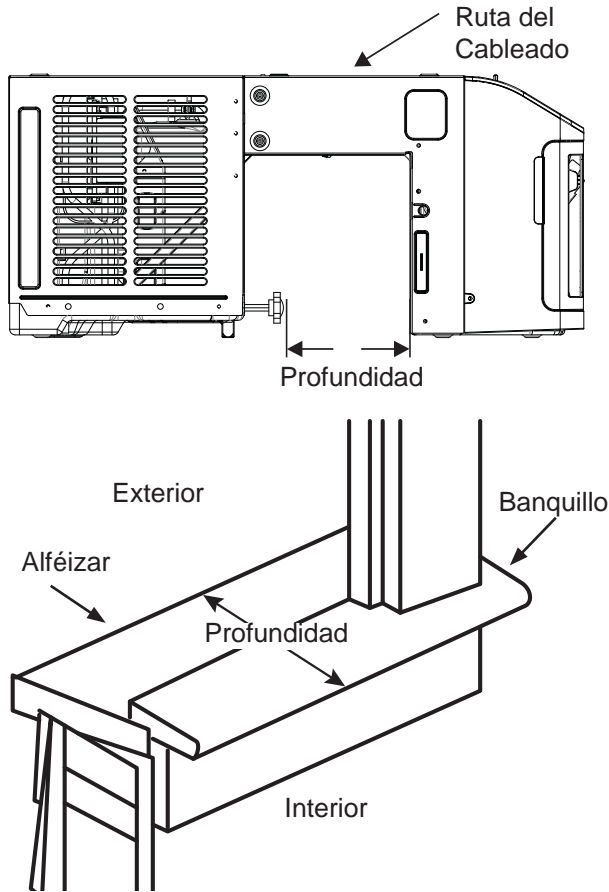
Instrucciones de instalación

3. REQUISITOS SOBRE LA PARED

- Mida la profundidad de su ventana y use la siguiente tabla para determinar la posición necesaria de la ruta del cableado.

Profundidad de la Ventana	Posición de la Ruta del Cableado
Inferior a 7.75"	Cerrada*
7.75" - 9.75"	1
9.75" - 11.75"	2
11.75" - 13.75"	3

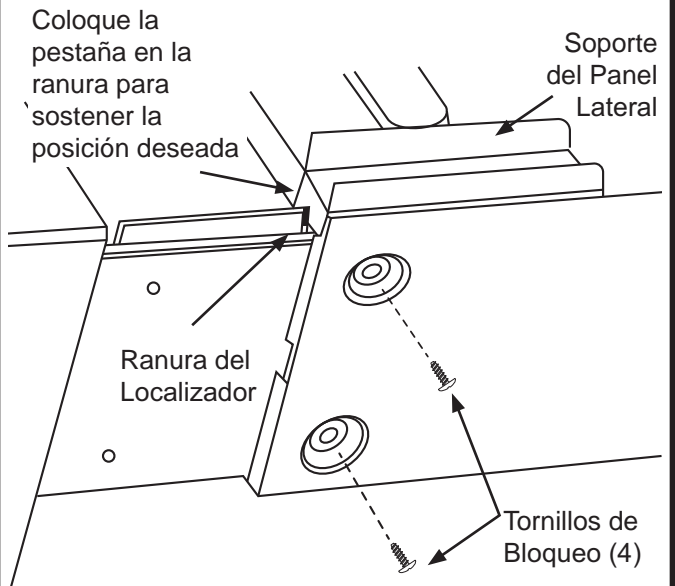
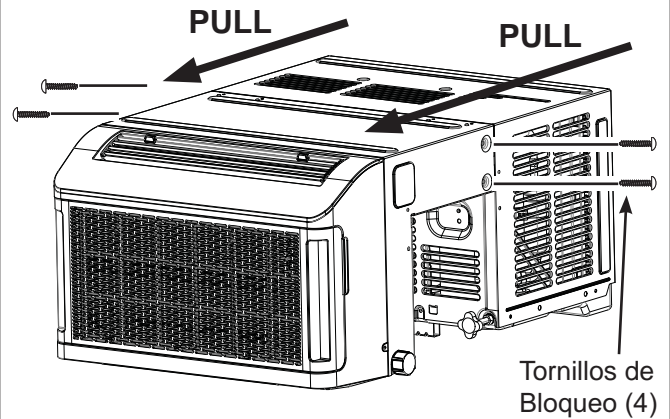
* La unidad viene en la posición cerrada. De no ser necesario realizar ajustes, vaya a la Sección 5.



4. PREPARE EL ACONDICIONADOR DE AIRE

Ajuste de la Ruta del Cableado

- Mida la profundidad de la ventana del interior al exterior. Use la tabla de la Sección 3 para determinar la posición correspondiente de la ruta del cableado.
- Retire los 4 tornillos de bloqueo que sostienen la ruta del cableado en su posición.
- Empuje la ruta del cableado hasta la posición necesaria en base a la profundidad de la ventana.

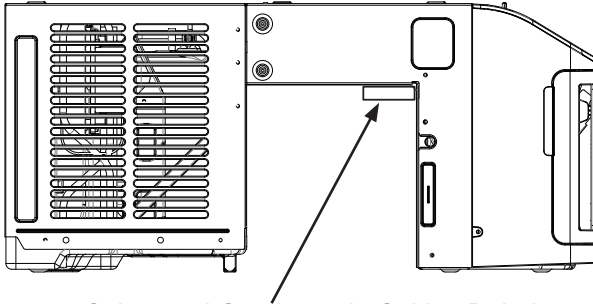


- Coloque la pestaña del soporte del panel lateral en la ranura de la ruta del cableado para sostener la posición.
- Vuelva a instalar los 4 tornillos (2 a cada lado) en su posición para bloquear la ruta del cableado.

Instrucciones de instalación

4. PREPARE EL ACONDICIONADOR DE AIRE (Cont.)

- Si se extiende la ruta de cables hasta la segunda, tercera o cuarta posición, tome dos piezas de Gomaespuma para el Lado Inferior de la Ruta de Cables y coloque las mismas debajo de la ruta de cables en las áreas abiertas realizadas a través del ajuste.
- Coloque una pieza sobre la izquierda y otra sobre la derecha.



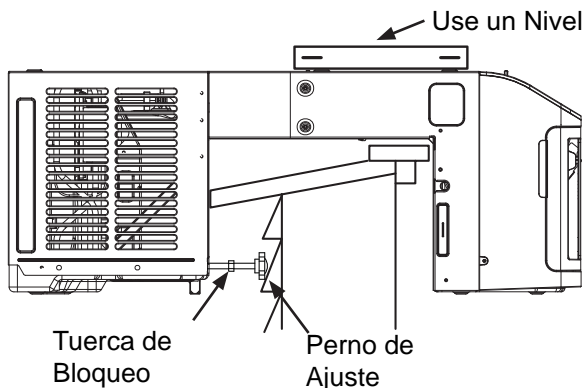
Coloque el Conducto de Cables Debajo de la Gomaespuma en esta ubicación.

5. INSTALE LA UNIDAD EN LA VENTANA

- Levante la unidad dentro y sobre la ventana. Centre la unidad sobre los Soporte de Montaje de Gomaespuma. *Se recomienda que 2 personas levanten la unidad y la coloquen en la ventana*.

Nota: Tenga cuidado de no pellizcarse los dedos en la parte inferior de la ruta del cableado.

- Ingrese a través de la abertura de la ventana y ajuste los Soportes Ajustables hasta que la unidad esté segura contra la pared exterior. Usando un nivel, controle que la unidad se encuentre nivelada del frente a la parte trasera y de un lado al otro. Una vez nivelada y segura, vuelva a pasar a través de la ventana y ajuste la Tuerca de Bloqueo sobre los Soportes Ajustables, a fin de asegurar todo en su posición.

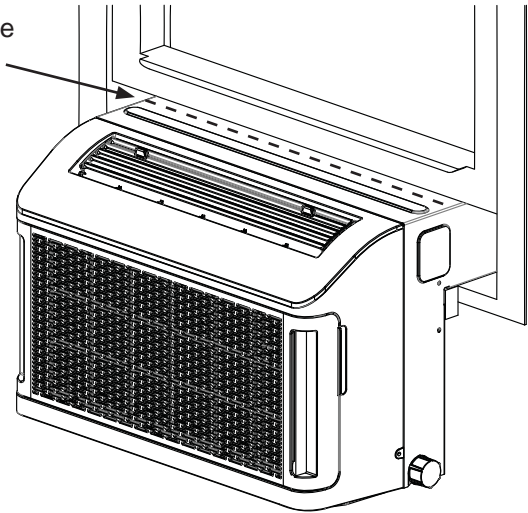


6. INSTALE LOS PANELES DE RELLENO LATERALES

Adhiera los Paneles Laterales

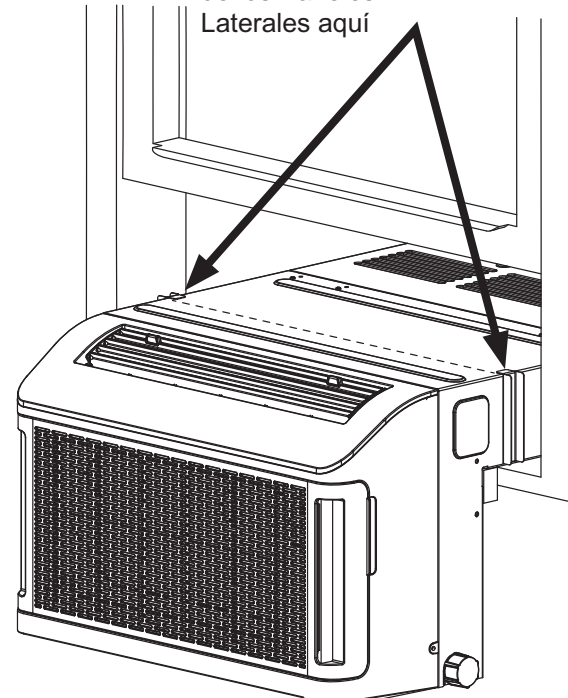
- Cierre la ventana y dibuje una línea donde el extremo frontal de la ventana se una con la parte superior de la unidad. Vuelva a subir la ventana.

Marque Aquí



- Retire el soporte adhesivo desde los Soportes del Panel Lateral. Coloque los mismos sobre la unidad de modo que los extremos frontales estén alineados con la línea dibujada, como se observa a continuación.

Coloque los Soportes de los Paneles Laterales aquí

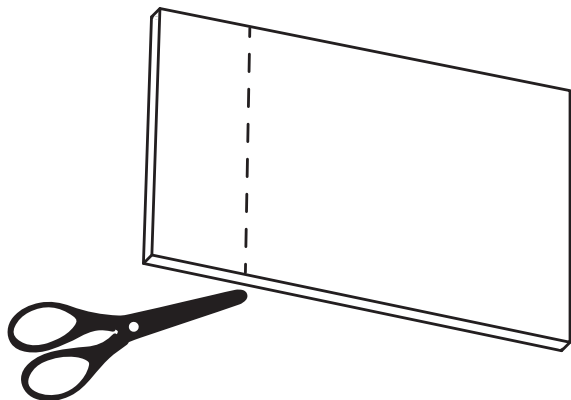


Instrucciones de instalación

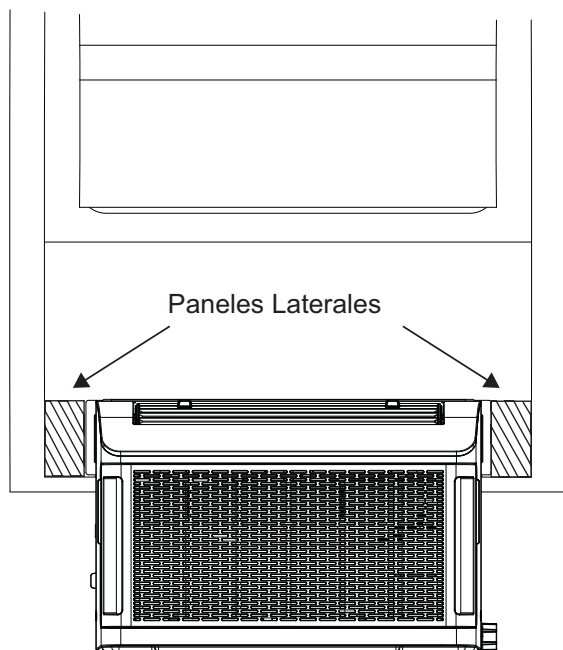
6. INSTALE LOS PANELES DE RELLENO LATERALES (cont)

Adhiera los Paneles Laterales (cont)

- Mida las brechas desde el lateral de la unidad hasta los extremos de la ventana y corte los Paneles Laterales de Gomaespuma a medida. .



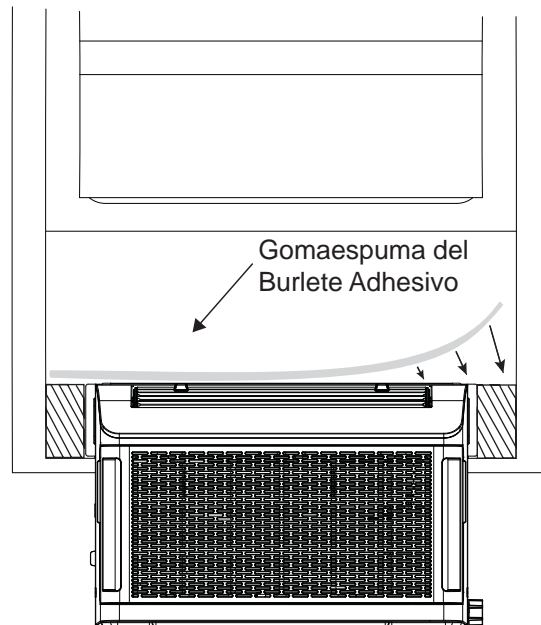
- Deslice los Paneles Laterales de Gomaespuma hasta su posición dentro de los Soportes de los Paneles Laterales, y asegúrese de que la brecha hasta el extremo de la ventana quede completamente sellada.



- Los Paneles Laterales de Gomaespuma deberán estar nivelados con la parte superior de la unidad. Si el panel se adhiere sobre la ruta del cableado, marque y corte de forma correspondiente.

7. INSTALE EL ADHESIVO DE GOMAESPUMA PARA EL BURLETE

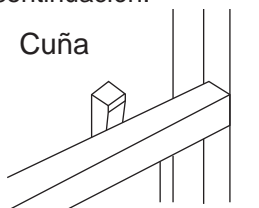
- Corte la Gomaespuma del Burlete Adhesivo del ancho de la ventana. Pele la parte trasera y coloque la gomaespuma sobre todo el ancho de la ventana, sobre la unidad y sobre los paneles laterales (siguiendo la línea dibujada con el lápiz). Luego de colocar la gomaespuma, cierre la ventana sobre ésta.



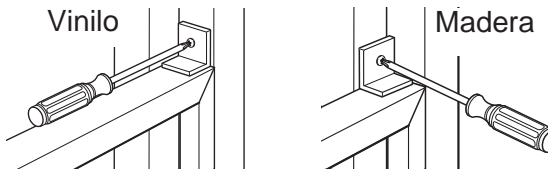
8. INSTALE LA CUÑA DE LA VENTANA, EL BLOQUEO DEL MARCO Y LA JUNTA DE GOMAESPUMA DE LA PARTE SUPERIOR DE LA VENTANA

A. Se brinda una Cuña de Ventana a fin de proveer un fácil acceso para abrir la ventana cuando se desee.

DESCARGO DE RESPONSABILIDAD: La Cuña de la Ventana es principalmente una opción conveniente y su uso no fue diseñado con fines de seguridad. Para una opción más segura, por favor considere la opción del bloqueo del marco que se muestra a continuación.



B. A fin de contar con seguridad adicional, se brinda un Bloqueo del Marco. Adhiera el Bloqueo del Marco a la jamba lateral de la ventana con un tornillo Tipo B.



C. Coloque la Junta Superior de Gomaespuma de la Ventana entre el vidrio y la ventana para evitar el ingreso del aire e insectos a la sala. Es posible que sea necesario cortar la gomaespuma para que calce, dependiendo de la posición de la cuña de la ventana.



NOTA: Si la junta provista no se ajusta a su ventana, obtenga el material apropiado en forma local para contar con un sellado correcto en la instalación.

Solucionar problemas

Problema	Causas posibles	Qué hacer
La unidad exhibe el código de error "FL" y apaga la unidad	La bandeja interior está llena	Drene el lado interior de la unidad siguiendo las instrucciones de la sección de Cuidado y Limpieza, Drenaje de la Unidad. Mantenga presionado el botón SLEEP durante 3 segundos para borrar el mensaje de error si aún se encuentra visible. Si el código de error persiste, será necesario realizar el servicio técnico de la bomba.
La unidad exhibe el código de error "P1" y apaga la unidad	La bomba tuvo un problema o falló	Drene el lado interior de la unidad siguiendo las instrucciones de la sección de Cuidado y Limpieza, Drenaje de la Unidad . Mantenga presionado el botón SLEEP durante 3 segundos para borrar el mensaje de error. Si el código de error persiste, será necesario realizar el servicio técnico de la bomba
El acondicionador de aire no enciende	El acondicionador de aire está desconectado.	Cerciórese de que el acondicionador de aire está enchufado totalmente en el tomacorriente.
	El fusible se disparó / el cortacircuitos se disparó.	Inspeccione los fusibles / caja de interruptores de la casa y reemplace cualquier fusible o reajuste el interruptor.
	Interrupción en el suministro eléctrico.	La unidad se reiniciará automáticamente con la configuración utilizada por última vez luego de reestablecer la electricidad. Existe un retraso de tiempo por protección (de aproximadamente 3 minutos) para evitar la desconexión por sobrecarga del compresor. Por esta razón, es posible que la unidad no comience a enfriar de forma normal hasta transcurridos 3 minutos desde que volvió a encenderse.
	El dispositivo de interrupción de corriente se ha activado.	Presione el botón RESET ubicado en el cable de alimentación. Si el botón RESET no se mantiene en su lugar, no utilice más el acondicionador de aire y comuníquese con un técnico calificado.
El acondicionador de aire no enfría como debería	El flujo de aire está restringido.	Asegúrese que no haya cortinas, persianas ni muebles que bloqueen las ventilaciones sobre el frente, la parte inferior y la parte trasera del acondicionador de aire.
	El control de temperatura no está ajustado apropiadamente.	En los modelos con teclado: En el modo Cool (Frío) , presione la tecla Reducción - . En los modelos con botones, gire la temperatura a un número mayor.
	El filtro de aire está sucio.	Limpie el filtro por lo menos cada 250 días. Ver la sección de <i>Cuidado y limpieza</i> .
	La habitación podría haber estado caliente.	Cuando el acondicionador de aire se enciende, usted necesita darle tiempo para que enfríe la habitación.
	El aire frío se está escapando.	Cerciórese de que los registros de la calefacción no están abiertos y se encuentran retornando el aire frío.
	Las bobinas de enfriamiento se congelaron.	Ver " Acondicionador de aire congelándose " más adelante.
El acondicionador de aire se está congelando	El hielo bloquea el flujo de aire hacia el acondicionador de aire evitando que se enfríe la habitación.	En modelos con los botones de control, coloque el control de modo en High Fan (Ventilador Alto) ó High Cool (Frío Alto) con la temperatura en 1 ó 2 .
		En los modelos con teclas de toque, colo que los controles en High Fan (Ventilador Alto) ó High Cool (Frío Alto) y ajuste el termostato una temperature más alta.
El control remoto no funciona	Las baterías están insertadas incorrectamente.	Inspeccione la posición de las baterías. Deben estar insertadas en la posición indicada, (+) y (-).
	Las baterías están agotadas.	Reemplace las baterías.
Hay agua goteando afuera	Tiempo húmedo y caliente.	Esto es normal.
Hay agua goteando en el interior de la habitación	El acondicionador de aire no está inclinado hacia afuera.	Para drenar el agua apropiadamente, cerciórese de que el acondicionador de aire está inclinado ligeramente desde el frente hacia atrás.
	El tapón del drenaje está desenchufado	Asegúrese de presionar el tapón totalmente dentro de la unidad
	El acondicionador de aire no está nivelado de izquierda a derecha	Asegúrese de que la unidad se encuentre nivelada
Se acumula agua en la bandeja	La humedad removida del aire y se drena hasta la bandeja.	Esto es normal por un corto período en áreas con poca humedad; normal por un período de tiempo más postergado en áreas más húmedas.

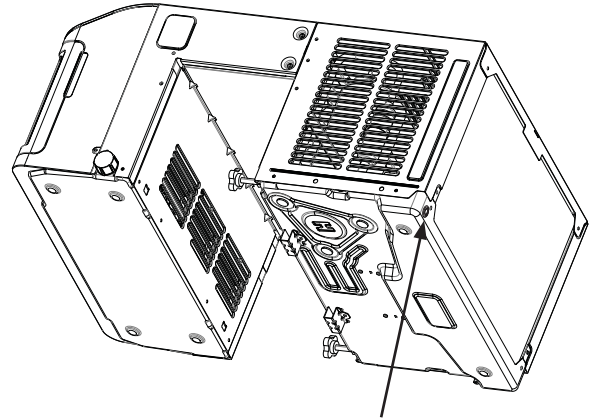
Solucionar problemas

Sonidos de Funcionamiento Normal

- Es posible que escuche un sonido metálico ocasionado por el agua recogida y arrojada contra el condensador en días lluviosos o cuando el nivel de humedad sea alto. Esta función ayuda a eliminar la humedad y mejorar el nivel de eficiencia.
- Es posible que escuche que el termostato hace clic cuando los ciclos del compresor se activan y desactivan.
- Se acumulará agua en la bandeja de la base cuando el nivel de humedad sea alto o en días lluviosos. Es posible que el agua se desborde y gotee desde el lado externo de la unidad.
- Es posible que el ventilador continúe funcionando incluso cuando el compresor no esté en funcionamiento.
- A fin de asegurar la máxima eficiencia, se recomienda controlar y asegurar que el Tapón de Agua de la Sub-base de goma se encuentre insertado de forma correcta. Este tapón se podrá retirar durante el funcionamiento para minimizar la cantidad de agua en la parte trasera de la unidad; sin embargo, su retiro reducirá la eficiencia de la unidad.

- Es posible que las gotitas de agua arrojadas contra las bobinas externas produzcan un ruido metálico. Esto ayuda a enfriar el condensador. Este ruido se puede reducir abriendo el sello del agujero del agua, ubicado del lado inferior derecho de la unidad. Abrir este sellado reducirá la Eficiencia Energética de la unidad.

NOTA: No haga un agujero en la bandeja.



Tapón de agua de subbase

Cómo Mantener la Unidad Instalada en Invierno

- Si decide mantener la unidad instalada durante todo el año, es posible que el lado interior de la unidad esté fría al tacto cuando el clima esté frío en el área exterior.
- Si detecta la entrada de aire frío desde la unidad, o escarcha, se encuentran a la venta protectores de exterior comercialmente disponibles que ayudarán a mitigar estos problemas.

Configuración WiFi

GE Appliances SmartHQ

(Para clientes en Estados Unidos)

Su acondicionador de aire cuenta con GE SmartHQ Habilitado. Para aprender más sobre las funciones del electrodoméstico conectado, y para saber qué aplicaciones de electrodomésticos conectados funcionarán con su teléfono inteligente, visite GEAppliances.com/connect

Cómo Funciona

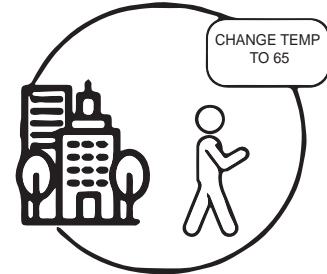
Descargue la Aplicación de GE Appliances



Use la aplicación para conectar su acondicionador de aire para sala.



Una vez conectado, use la aplicación para ajustar el acondicionador de aire según lo desee.



Conectividad WiFi:

Para solicitar asistencia con relación al electrodoméstico o la conectividad de red del electrodoméstico, comuníquese al **1-800-220-6899**.

Los datos de todos los electrodomésticos conectados son guardados en estricto cumplimiento con la Política de Privacidad de Datos de Conexión de GE Appliances. Para acceder a esta política, visite geappliances.com/privacy/privacy_policy_connected.

Preguntas acerca de SmartHQ

Acceda a respuestas necesarias sobre la configuración de electrodomésticos con WiFi y la conexión a su red hogareña a través de nuestros artículos de soporte.

Para acceder a los artículos de soporte la conexión wifi del acondicionador de aire para sala, visite products.geappliances.com/appliance/gea-support-search-content.

Configuración WiFi

INFORMACIÓN REGULATORIA

Declaración de Cumplimiento con FCC/ IC:

1. Este dispositivo no podrá causar interferencias perjudiciales.
2. Este dispositivo debe aceptar cualquier interferencia recibida, incluidas las interferencias que puedan provocar un funcionamiento no deseado.

Este equipo fue probado y cumple con los límites establecidos para un dispositivo digital de clase B, según la parte 15 de la Normativa de la FCC. Estos límites fueron diseñados para brindar una protección razonable contra interferencias nocivas en una instalación residencial. Este equipo genera, usa y puede emitir energía de radiofrecuencia y, si no se instala y utiliza de acuerdo con las instrucciones, puede ocasionar interferencias perjudiciales sobre las comunicaciones radiales. Sin embargo, no se garantiza que no se presenten interferencias en una instalación en particular. Si este equipo provoca interferencias perjudiciales para la recepción de radio o televisión, lo que puede comprobar encendiendo y apagando el equipo, se aconseja al usuario que intente corregir la interferencia a través de una o más de las siguientes medidas:

- Reoriente o reubique la antena receptora.
- Aumente la separación entre el equipo y el receptor.
- Conecte el equipo a un tomacorriente de un circuito diferente al tomacorriente al cual se encuentra conectado el receptor.
- Para solicitar ayuda, consulte al comerciante minorista o a un técnico experimentado de radio/ televisión.

Etiqueta: Las modificaciones sobre esta unidad no aprobadas expresamente por parte del fabricante podrían anular la autoridad del usuario para utilizar el equipo.

*Modelos Selectos Únicamente

Este producto tiene capacidad Wi-Fi y requiere conectividad a Internet y un enrutador inalámbrico para permitir la interconexión con un Sistema de administración de energía y / o con otros dispositivos, sistemas o aplicaciones externos.

Información Adicional

Desensamble

Antes de realizar este procedimiento, es esencial que el técnico esté completamente familiarizado con el equipamiento y todos sus detalles. Se recomienda llevar a cabo buenas prácticas de modo que todos los refrigerantes sean recuperados de forma segura. Antes de que la tarea sea realizada, se deberá tomar una muestra del aceite y del refrigerante en caso de que se requiera un análisis antes de que se vuelva a usar un refrigerante recuperado. Es esencial contar con una conexión eléctrica antes de que la tarea sea iniciada.

- a) Familiarícese con el equipamiento y su funcionamiento.
 - b) Aísle el sistema eléctrico.
 - c) Antes de intentar el procedimiento, asegúrese de que:
 - el equipamiento de manejo mecánico esté disponible, si se requiere, para manipular los cilindros del refrigerante;
 - todo el equipamiento de protección personal esté disponible y sea usado de forma correcta;
 - el proceso de recuperación sea supervisado en todo momento por una persona competente;
 - el equipamiento de recuperación y los cilindros cumplan con los estándares apropiados.
 - d) Bombee el sistema refrigerante, de ser posible.
 - e) Si no es posible aspirar, haga un colector de modo que el refrigerante se pueda retirar de las diferentes piezas del sistema.
 - f) Asegúrese de que el cilindro se encuentre situado sobre las balanzas antes de que la recuperación se lleve a cabo.
 - g) Inicie la máquina de recuperación y utilice la misma de acuerdo con las instrucciones del fabricante.
 - h) No sobrecargue los cilindros. (No más del 80 % del volumen de carga líquida).
 - i) No supere la presión de funcionamiento máxima del cilindro, incluso de forma temporaria.
 - j) Cuando el cilindro se haya llenado de forma correcta y el proceso se haya completado, asegúrese de que los cilindros y el equipamiento sean retirados del sitio de forma inmediata y que todas las válvulas aisladas del equipamiento se encuentren cerradas.
 - k) El refrigerante recuperado no será cargado en otro sistema de refrigeración a menos que se haya limpiado y controlado.
-

Etiqueta

El equipamiento deberá contar con una etiqueta que indique que fue desensamblado y que el refrigerante fue vaciado. La etiqueta deberá poseer fecha y firma. En el caso de electrodomésticos que contengan **REFRIGERANTES INFLAMABLES**, asegúrese de contar con etiquetas sobre el equipamiento que afirmen que el mismo contiene refrigerante inflamable.

Recuperación

Al retirar el refrigerante de un sistema, ya sea para realizar el servicio técnico o para su desensamble, se recomienda como una buena práctica que todos los refrigerantes sean retirados de forma segura. Al transferir refrigerante dentro de los cilindros, asegúrese de que sólo se empleen cilindros de recuperación con el refrigerante apropiado. Asegúrese de contar con el número correcto de cilindros para almacenar la carga total del sistema. Todos los cilindros que se usarán fueron diseñados para el refrigerante recuperado y etiquetados para dicho refrigerante (es decir: cilindros especiales para la recuperación de refrigerante). Los cilindros estarán completos con la válvula de alivio de presión y las válvulas de cierre apropiadas en un orden de funcionamiento adecuado. Los cilindros de recuperación serán evacuados y, de ser posible, enfriados antes de que se realice la recuperación. El equipamiento de recuperación deberá contar con un orden de funcionamiento adecuado con un conjunto de instrucciones concernientes al equipamiento del cual se dispone, y deberá ser adecuado para la recuperación de todos los refrigerantes apropiados incluyendo, cuando corresponda, **REFRIGERANTES INFLAMABLES**. Además, estará disponible un conjunto de balanzas para pesar calibradas y en un orden de funcionamiento adecuado. Las mangueras deberán estar completas, con acoples de desconexión libres de goteos y en buenas condiciones. Antes de usar la máquina de recuperación, controle que posee un orden de funcionamiento satisfactorio, que se haya mantenido de forma apropiada y que cualquier componente eléctrico asociado se encuentre sellado, a fin de evitar incendios en caso de que se produzca la liberación de refrigerante. En caso de duda, consulte con el fabricante. El refrigerante recuperado se le deberá entregar al proveedor de refrigerante en el cilindro de recuperación adecuado, y la nota de transferencia de desperdicio relevante deberá estar en orden. No mezcle refrigerantes en las unidades de recuperación y especialmente no lo haga en los cilindros. Si los compresores o el aceite para compresor no son retirados, asegúrese de que se los haya evacuado en un nivel aceptable, a fin de asegurar que no permanezca refrigerante inflamable dentro del lubricante. El proceso de evacuación deberá ser realizado antes de entregarle el compresor a los proveedores. Sólo se empleará calefacción eléctrica al cuerpo del compresor para acelerar este proceso. Cuando se drene el aceite del sistema, se deberá transportar de forma segura.

Garantía de su acondicionador de aire—garantía limitada de un año.

Abroche su recibo aquí. Para acceder al servicio técnico de acuerdo con la garantía deberá contar con la prueba de la fecha original de compra.

Por el Período de:	Reemplazaremos:
Un Año Desde la fecha de la compra original	Reemplazo, reparación o reembolso del costo minorista original de cualquier producto que falle debido a un defecto en los materiales o la fabricación. Si la unidad es cambiada, la unidad de reemplazo posee garantía por el resto del período de la garantía original de un año sobre su producto. GE Appliances reemplazará, a su exclusivo criterio, el producto por otro de la misma o de una funcionalidad y calidad comparable o hará un reembolso por el precio minorista original.

Para hacer un reclamo de garantía durante el período de devolución permitido de su minorista:

- Embale la unidad correctamente. Le recomendamos usar la caja de cartón y los materiales de embalaje originales.
- Entregue el producto en la ubicación del vendedor minorista donde fue adquirido.
- Incluya en el paquete una copia del receptor de la venta u otro comprobante de la fecha de compra original. También escriba su nombre y domicilio y una descripción del defecto.

A Fin de Realizar un Reclamo sobre la Garantía Durante el Resto de la Garantía de un Año:

- Ubique su recibo de venta original y haga una nota de su modelo y número de serie.
- Llame al Servicio de GE Appliances (GE Appliance Service) al 1-800-GEcares (1-800-432-2737) o visite **GEAppliances.com/service** para iniciar una reclamación de garantía
- Se solicitará su nombre, domicilio, fecha de compra, y números de modelo y serie.
- Las reclamaciones de garantía pueden requerir evidencia de compra electrónica o enviada por correo.

Qué No Será Cubierto:

- **Instrucción al cliente.** Este manual del propietario brinda información relacionada con instrucciones de funcionamiento y controles del usuario.
- **Instalación inadecuada.** Si tiene un problema de instalación o el producto no posee la capacidad adecuada, contacte a su vendedor minorista o instalador. Usted es responsable de brindar instalaciones de conexión eléctrica adecuadas.
- **Falla del producto como resultado de modificaciones sobre el mismo o debido a un uso irrazonable, incluyendo la falta de mantenimiento razonable o necesario.**
- **Reemplazo de fusibles del hogar o reinicio de disyuntores.**
- **Fallas como consecuencia de corrosión.**
- **Daños ocasionados sobre el producto por nivel de suministro de voltaje inadecuado, accidente, incendio, inundaciones o catástrofes naturales.**
- **Daños consecuentes o incidentales causados por posibles defectos del producto.**
- **Daño causado después de la entrega.**

EXCLUSIÓN DE GARANTÍAS IMPLÍCITAS—Su única y exclusiva alternativa es la reparación del producto, como se indica en la Garantía Limitada. Las garantías implícitas, incluyendo garantías implícitas de comerciabilidad o conveniencia sobre un propósito particular, se limitan a un año o al período más corto permitido por la ley.

Para Clientes de EE.UU.: Esta garantía limitada se extiende al comprador original y a cualquier dueño subsiguiente de productos comprados para uso hogareño dentro de EE.UU. Si el producto está en un área donde no se encuentra disponible un Proveedor Autorizado del Servicio Técnico de GE Appliances, usted será responsable por el costo de un viaje o se podrá requerir que traiga el producto a una ubicación del Servicio Técnico de GE Appliances Autorizado para recibir el servicio. En Alaska, la garantía limitada excluye el costo de envío o llamadas del servicio técnico a su hogar.

Algunos estados no permiten la exclusión o limitación de daños fortuitos o consecuentes. Esta garantía limitada le da derechos legales específicos y es posible que tenga otros derechos legales que varían entre un estado y otro. Para conocer cuáles son sus derechos legales, consulte a la oficina de asuntos del consumidor local o estatal o al Fiscal de su estado.

Garante en EE.UU:
GE Appliances, a Haier company
 Louisville, KY 40225

Abroche su recibo aquí. Para acceder al servicio técnico de acuerdo con la garantía deberá contar con la prueba de la fecha original de compra.

Soporte para el Consumidor

Sitio Web de GE Appliances

¿Desea realizar una consulta o necesita ayuda con su electrodoméstico? ¡Intente a través del Sitio Web de GE Appliances las 24 horas del día, cualquier día del año! Usted también puede comprar más electrodomésticos maravillosos de GE Appliances y aprovechar todos nuestros servicios de soporte a través de Internet, diseñados para su conveniencia.

En EE.UU.: GEAppliances.com

Registre su Electrodoméstico

¡Registre su electrodoméstico nuevo a través de Internet, según su conveniencia! Un registro puntual de su producto permitirá una mejor comunicación y un servicio más puntual de acuerdo con los términos de su garantía, en caso de surgir la necesidad. También puede enviar una carta en la tarjeta de inscripción preimpresa que se incluye con el material embalado.

En EE.UU.: GEAppliances.com/register

Piezas y Accesorios

Aquellos individuos calificados para realizar el servicio técnico de sus propios electrodomésticos podrán solicitar el envío de piezas o accesorios directamente a sus hogares (se aceptan las tarjetas VISA, MasterCard y Discover). Ordene hoy a través de Internet durante las 24 horas, todos los días. En EE.UU.: GEApplianceparts.com o de forma telefónica al 877.959.8688 durante el horario de atención comercial.

Las instrucciones que figuran en este manual cubren los procedimientos que serán realizados por cualquier usuario. Otros servicios técnicos generalmente deben ser derivados a personal calificado del servicio. Se deberá tener cuidado, ya que una reparación indebida podrá hacer que el funcionamiento no sea seguro.

Contáctenos

Si no se encuentra satisfecho con el servicio que recibió de GE Appliances, comuníquese con nosotros a través de nuestro sitio Web con todos los detalles, incluyendo su número telefónico, o escriba a:

En EE.UU.: General Manager, Customer Relations | GE Appliances, Appliance Park | Louisville, KY 40225

GEAppliances.com/contact