



DRYERS

SAFETY INFORMATION2

USING THE DRYER

WiFi Connect 4

Getting Started 4

Artificial Intelligence6

Cycles.....7

Settings8

Options9

Dryer Control - Bluetooth® Pairing 11

Loading12

CARE AND CLEANING13

INSTALLATION INSTRUCTIONS14

Reversing The Door Swing (Optional) .. .32

Stacking (Optional) 34

TROUBLESHOOTING TIPS.....38

LIMITED WARRANTY41

CONSUMER SUPPORT 42

OWNER'S MANUAL & INSTALLATION INSTRUCTIONS

- PFD95
- PFD87
- GFD65
- GFD55
- GFV55

ENGLISH/FRANÇAIS/ESPAÑOL

Write the model and serial numbers here:

Model # _____

Serial # _____

They are on the label on the front of the dryer behind the door.

IMPORTANT SAFETY INFORMATION

READ ALL INSTRUCTIONS BEFORE USING THE APPLIANCE

⚠ WARNING To reduce the risk of fire, explosion, electric shock, or injury to persons when using your appliance, follow basic precautions, including the following:

- Read all instructions before using the appliance.
- **DO NOT** dry articles that have been previously cleaned in, washed in, soaked in, or spotted with gasoline, dry-cleaning solvents, or other flammable or explosive substances, as they give off vapors that could ignite or explode.
- **DO NOT** place items exposed to cooking oils in your dryer. Items contaminated with cooking oils may contribute to a chemical reaction that could cause a load to catch fire. To reduce the risk of fire due to contaminated loads, the final part of the tumble dryer cycle occurs without heat (cool down period). Avoid stopping a tumble dryer before the end of the drying cycle unless all items are quickly removed and spread out so that the heat is dissipated.
- **DO NOT** allow children to play on or in this appliance. Close supervision of children is necessary when this appliance is used near children.
- Before the appliance is removed from service or discarded, remove the door to the drying compartment.
- **DO NOT** reach into the appliance if the drum is moving.
- **DO NOT** install or store this appliance where it will be exposed to the weather.
- **DO NOT** tamper with controls.
- **DO NOT** climb or stand on this unit.
- **DO NOT** repair or replace any part of this appliance or attempt any servicing unless specifically recommended in the user-maintenance instructions or in published user-repair instructions that you understand and have the skills to carry out.
- Follow all fabric care instructions and warnings to prevent melting of garments or damage to the appliance.
- **DO NOT** use fabric softeners or products to eliminate static unless recommended by the manufacturer of the fabric softener or product.
- **DO NOT** dry articles containing foam rubber or similarly textured rubber-like materials.
- Clean lint screen before or after each load.
- **DO NOT** operate the dryer without the lint filter in place.
- **DO NOT** store combustible materials, gasoline or other flammable liquids near the dryer. Keep area around the exhaust opening and adjacent surrounding areas free from the accumulation of lint, dust and dirt.
- The interior of the appliance and exhaust duct should be cleaned periodically by qualified service personnel.
- Unplug the appliance or turn off the circuit breaker before servicing. Pressing the **Power** or **Start/Pause** pad **DOES NOT** disconnect power.
- **DO NOT** operate this appliance if it is damaged, malfunctioning, partially disassembled, or has missing or broken parts, including a damaged cord or plug.
- **DO NOT** spray any type of aerosol into, on or near dryer at any time. **DO NOT** use any type of spray cleaner when cleaning dryer interior. Hazardous fumes or electrical shock could occur.
- See "ELECTRICAL CONNECTION" located in the Installation Instructions for grounding instructions.
- **DO NOT** use replacement parts that have not been recommended by the manufacturer. (e.g. parts made at home using a 3D printer).

Proper Disposal of your Appliance

- Dispose of or recycle your appliance in accordance with Federal and Local Regulations. Contact your local authorities for the environmentally safe disposal or recycling of your appliance.
- Consider recycling options for your appliance packaging material.

READ AND SAVE THESE INSTRUCTIONS

IMPORTANT SAFETY INFORMATION. READ ALL INSTRUCTIONS BEFORE USING THE APPLIANCE

ADDITIONAL GAS DRYER WARNINGS

▲ WARNING  - Fire or Explosion Hazard


Failure to follow safety warnings exactly could result in serious injury, death, or property damage.

- DO NOT store or use gasoline or other flammable vapors and liquids in the vicinity of this or any other appliance.
- WHAT TO DO IF YOU SMELL GAS:
 - DO NOT try to light any appliance.
 - DO NOT touch any electrical switch; DO NOT use any phone in your building.
 - Clear the room, building, or area of any occupants.
 - Immediately call your gas supplier from a neighbor's phone. Follow the gas supplier's instructions.
 - If you cannot reach your gas supplier, call the fire department.
- Installation and service must be performed by a qualified installer, service agency, or the gas supplier.

READ AND SAVE THESE INSTRUCTIONS

Getting started

▲ WARNING To reduce the risk of fire, electric shock, or injury to persons, read the IMPORTANT SAFETY INFORMATION before operating this appliance.

▲ WARNING  - Fire Hazard

- Keep flammable materials and vapors, such as gasoline, away from dryer.
- **DO NOT** dry anything that has ever had anything flammable on it (even after washing).
- No washer can completely remove oil.
- **DO NOT** dry anything that has ever had any type of oil on it (including cooking oils).
- Items containing foam, rubber, or plastic must be dried on a clothesline.
- Failure to do so can result in death, explosion, or fire.

Throughout this manual, features and appearance will vary from your model.

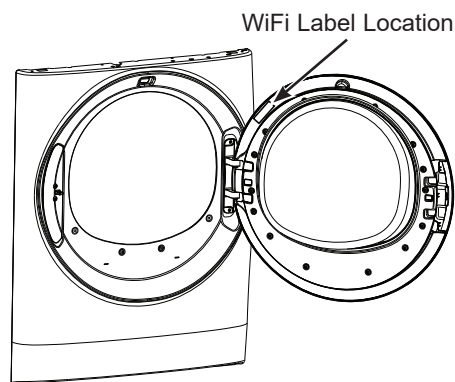
WiFi Connect (For customers in the United States only - on some models)

Your dryer is **GE Appliances WiFi Connect** enabled.

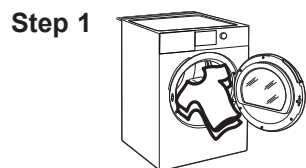
Visit geappliances.com/connect and enter your model number to show you the proper steps to connect your appliance.

Please visit GEAppliances.com/connect to learn more about connected appliance features, to learn what connected appliance App's will work with your smartphone.

WiFi Connectivity: For assistance with the appliance or the **ConnectPlus** network connectivity, please call GE Appliances at **800.220.6899**.



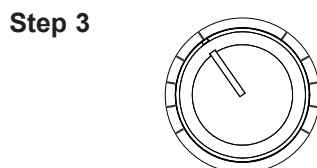
Quick Start:



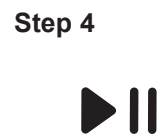
- Clean lint filter
 - Loosely add items.
 - Close door.
- NOTE:** Dryer will not start with door open.



- If the screen is dark, press the Power pad to “wake up” the display.



- Select a sensor dry cycle. (Defaults are set for each dry cycle. These default settings can be changed. See the cycle descriptions for more information.)



- Press the Start/ Pause pad.

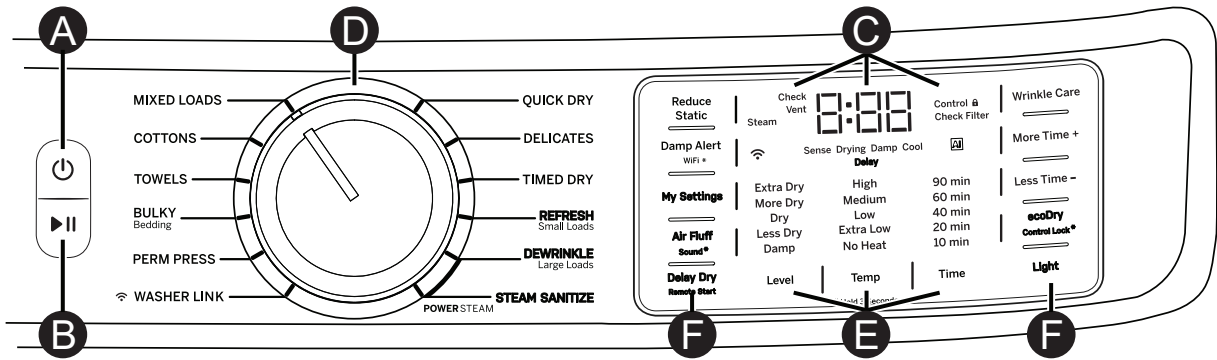
OR

- Select **TIMED DRY** and set Time, Temp and Level.

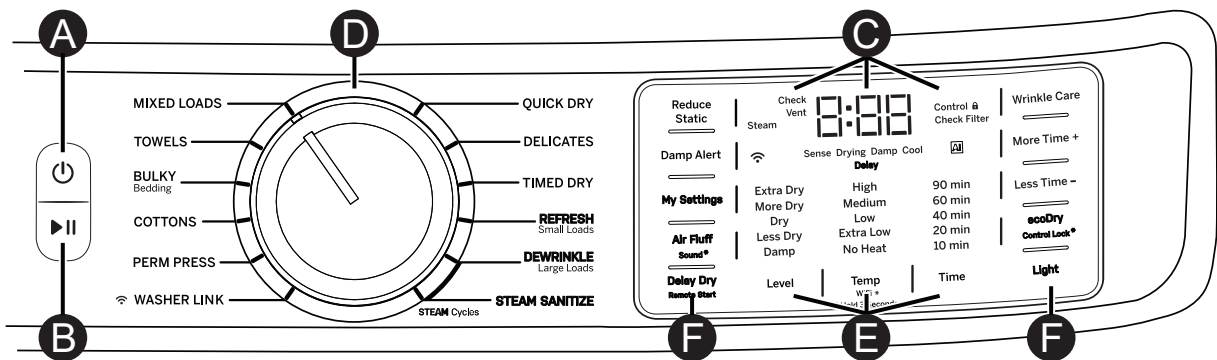
Getting started

Features and appearance will vary.

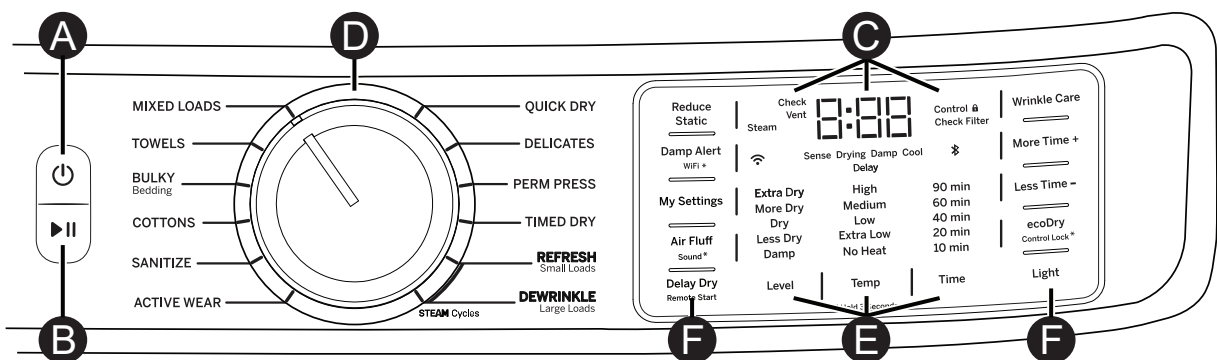
Model:
PFD95



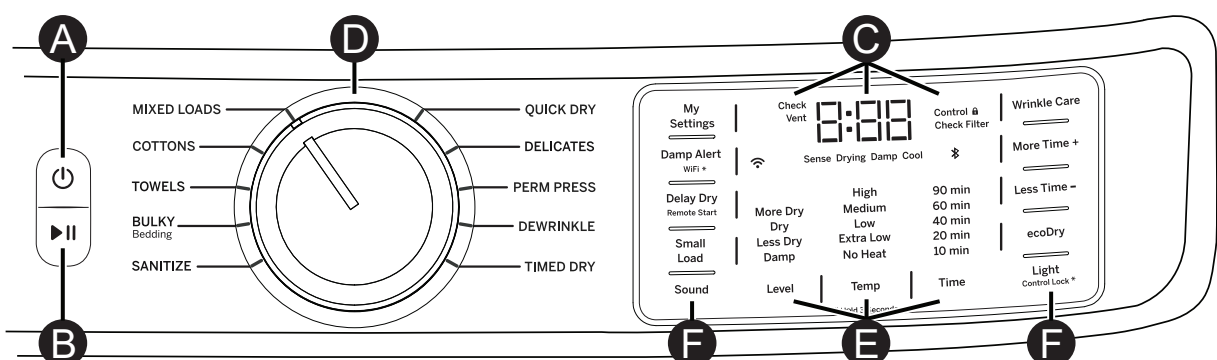
Model:
PFD87



Model:
GFD65







Models:
GFD55
GFV55



Getting started

- A Power**
Press to “wake up” the display. If the display is active, press to put the dryer into idle mode.
NOTE: Pressing **Power** does not disconnect the appliance from the power supply.
- B Start and Pause**
Press **Start** to begin the cycle. **NOTE:** The door must be closed for the dryer to start the cycle. Pressing **Start** again will pause the cycle, the **Start** light may blink and “**Pause**” will display.
To continue the cycle, press **Start** again.
- C Display and Status Lights**
The display shows the approximate time remaining until the end of the cycle. On some models, the dryer cycle status (**Sense, Drying, Damp** and **Cool**) will be shown.
In addition, the display will show:

 (WiFi) (on some models)	Will allow your appliance to communicate with your smartphone for remote appliance monitoring control and notifications.
Controls 	The dryer is locked - will blink once if you press any pad or turn the cycle knob.
Check Filter	The Check Filter light will stay on for 15 seconds after the cycle stops.
Check Vent	The Check Vent light indicates an issue has been found due to reduced airflow from a possible blocked or restricted vent. Checking and/or cleaning the vent system is recommended. See the, “ Check Vent ” light is on in the Troubleshooting Tips section.
 AI (on some models)	Your dryer is equipped with Artificial Intelligence capabilities. This indicator will illuminate when Washer Link is active, My Settings are being implemented based on your usage habits and suggested actions are available through the SmarterHQ app.
 (on some models)	This is a pairing feature for use with a compatible Bluetooth® enabled GE Appliances frontload washer. To pair this dryer with the washer, please follow the steps outlined in the washer’s Owner’s Manual. To engage or disengage Bluetooth®, open and close the door three times within 10 seconds when the dryer is powered on but not actively running a cycle.

Getting started

D Drying Cycles	Sensor cycles automatically determine fabric dryness. Timed cycles run for the selected time.
MIXED LOADS	For loads consisting of cottons and poly-blends.
COTTONS	For cottons and most linens. NOTE: ENERGY STAR® models are tested on COTTONS cycle with default settings (Temp setting on High , Level setting on Dry , and ecoDry default on).
TOWELS (on some models)	For most towels and linens.
BULKY Bedding	For large coats, bed spreads, mattress covers, sleeping bags, and similar large/bulky items such as blankets, comforters, jackets, and small rugs.
SANITIZE (on some models)	This option reduces certain types of bacteria including: Staphylococcus aureus, Pseudomonas aeruginosa and Klebsiella pneumoniae. The anti-bacterial process occurs when high heat is used during a portion of the drying cycle; cool down also will be longer to protect you from a hot garment. NOTE: Do not use this cycle on delicate fabrics.
WASHER LINK (on some models)	When selected (and if connected to a compatible washer through WiFi communication) the dryer receives load information from the washer to automatically make cycle, dryness, temperature and time recommendations to optimize drying.
ACTIVE WEAR (on some models)	Clothing worn for active sports exercise and some casual wear. Fabrics include new technology finishes and stretch fibers such as Spandex. Also for clothing labeled Easy Care or Perma Press: For wrinkle-free and permanent press items.
QUICK DRY	For small loads that are needed in a hurry, such as sport or school uniforms. Can also be used if the previous cycle left some items damp, such as collars or waistbands. NOTE: On some models, the time remaining in the cycle will show counting down in the display.
DELICATES	For delicate items, special-care fabrics and knits.
PERM PRESS (on some models)	For wrinkle-free, permanent press and special sports items that need extra drying care.
AIR FLUFF (on some models)	Provides 10 minutes of tumbling time with no heat. NOTE: On models with AIR FLUFF cycle, select TIMED DRY and set Temp to No Heat .
DEWRINKLE (on some models)	For removing wrinkles from items that are dry or slightly damp. This cycle is not recommended for delicate fabrics.
STEAM Dewrinkle (on some models)	For use with larger loads than STEAM Refresh . Ideal for loads left in the dryer for an extended time. STEAM Dewrinkle is recommended for larger loads (9-13 garments). NOTE: Steam cycles are not intended for use with towels. Important - The temperature setting must be set to High and water must be turned on before running the STEAM Dewrinkle cycle.
STEAM Refresh (on some models)	For slightly wrinkled dry garments. Significantly reduces wrinkles. After the STEAM Refresh cycle, the unit will beep (if Sound is selected) and display "00." STEAM Refresh is recommended for small loads (3-5 garments). NOTE: Steam cycles are not intended for use with towels. NOTE: A single extremely light fabric item may need to have an additional item included in the STEAM Refresh cycle to achieve optimum results. Important - The temperature setting must be set to High and water must be turned on before running the STEAM Refresh cycle.
STEAM SANITIZE (on some models)	This cycle will sanitize and remove set-in wrinkles from standard sized loads which are damp from washing and/or rinsing. This cycle reduces certain types of bacteria including: Staphylococcus aureus, Pseudomonas aeruginosa and Klebsiella pneumoniae. This anti-bacterial process occurs when high heat is used during a portion of the drying cycle. NOTE: Do not use this cycle on delicate fabrics. Important - The temperature is set to HIGH and cannot be changed. Water must be turned on for the Steam Sanitize cycle to function properly.

Getting started

D Drying Cycles	Sensor cycles automatically determine fabric dryness. Timed cycles run for the selected time.
-------------------------------	--

- TIMED DRY** Use to set your own dry time. To use:
1. Turn cycle dial to **TIMED DRY**.
 2. Increase the drying time by pressing the **Time** pad.
NOTE: This pad only increases the time. When max time is reached, pressing the pad again will reset the counter to the lowest setting.
 3. Select the **Temp**.
 4. Close the door.
 5. Press **Start/Pause** pad.

E **Settings**
Individual settings for cycle minutes (**Time**), dryness level (**Level**) and temperature (**Temp**) can be set from the minimum (lowest in column) to maximum (highest in column). In general, the higher up the column, the more energy will be used. **NOTE:** The selected cycle set **Time** can be further adjusted, in one minute increments, by pressing the **More Time +** and **Less Time -** pads.

Dryness Level - Selection only used for Sensor cycles. Timed cycles run for the selected time.
NOTE: Options for Dryness Levels vary by model. Refer to the control panel on your model or to the control panels shown earlier in this manual.

Extra Dry	Use for heavy-duty fabrics or items that should be very dry, such as towels.
More Dry	Use for heavy-duty or mixed type fabrics.
Dry	Use for a normal dryness level suitable for most loads. This is the preferred cycle for energy savings.
Less Dry	Use for lighter fabrics.
Damp	For leaving items partially damp.
Temperature	
High	For regular to heavy cottons. NOTE: STEAM Dewrinkle and STEAM Refresh require the High temperature setting.
Medium	For synthetics, blends, delicates and items labeled permanent press.
Low	For delicates, synthetics and items labeled tumble dry low.
Extra Low	For lingerie and special-care fabrics.
No Heat	For fluffing items without heat. For use only with the AIR FLUFF cycle.

Getting started

F Options

Reduce Static (on some models)

When selected, the dryer will spray a mist of water onto the load, at the end of the drying cycle, to reduce static. This option is not available with **BULKY**, **SANITIZE** or **STEAM** cycles.

Damp Alert (Damp Alert/WiFi pad) (on some models)

This option causes the dryer to beep when clothes have dried to a damp level. Remove items that you wish to hang dry. The **Damp Alert** will only beep when this option is selected (but the dry cycle will keep running). Removing clothes and hanging them when they are damp, can reduce the need to iron some items.

Delay Dry

Press the **Delay Dry** pad to set the delay start time in 1 hour increments up to 24 hours, and then back to clear (0 hours). After selecting the delay start time, press **Start** and the delay time will count down the time remaining until the cycle starts. **NOTE:** To set the amount of delay time faster, you can press and hold the **Delay Dry** pad.

Delay Dry for WiFi Connected Dryers

You have two options to set **Delay Dry** using your smartphone.

Option 1: Follow **Delay Dry** instructions. You can use the **GE Appliances** Laundry App to adjust the amount of time via your smartphone.

Option 2 - Remote Start: Set your dryer to "AP" using the **Delay Dry** pad. This allows you to use the **GE Appliances** Laundry App via your smartphone to start your dryer remotely at the time of your choosing. If the dryer is set to AP with no activity, it will start the dryer 24 hours later.

Air Fluff (on some models)

Provides 10 minutes of tumbling time with no heat. **NOTE:** On models without **AIR FLUFF** cycle, select **TIMED DRY** and set **Temp** to **No Heat**.

Sound (on some models)

To change the loudness of the end of cycle signal and the press pad volume, press the **Sound** pad as many times as needed to reach the desired volume. On some models there are four sound levels including off, other models have Off/On with press and hold function.

NOTE:

- Remove garments promptly at the sound of signal. Place clothes on hangers so wrinkles will not set in.
- Use the **Sound** especially when drying fabrics like polyester, knits and permanent press. These fabrics should be removed so wrinkles will not set in.

Wrinkle Care

Use this option to minimize the wrinkles in clothes. It provides 1 hour of no-heat tumbling after the clothes are dry. If you are using the cycle **Sound** and you select the **Wrinkle Care** option, a signal will sound at the end of the drying time and several times during the **Wrinkle Care** cycle. This will remind you that it is time to remove the clothes.

More Time + / Less Time -

The selected cycle set **Time** can be further adjusted, in one minute increments, by pressing the **More Time +** and **Less Time -** pads.

ecoDry

Available for **BULKY**, **TOWELS**, **COTTONS**, **MIXED LOADS**, **ACTIVE WEAR** and **DELICATES**. When the **ecoDry** pad is pressed, cycle settings change to reduce the total energy consumption of the selected sensor cycle. **NOTE:** Cycle times will change when **ecoDry** is selected. The **ecoDry** option will default to on for **COTTONS**. For optimal energy savings, turn **ecoDry** on. For optimal drying times, turn **ecoDry** off.

NOTE: Energy savings will vary across loads and cycles.

Getting started

F Options (cont.)

Light (on some models)

The drum light will turn on if the **Light** pad is pressed or the door is opened. It will turn off when the door is shut, the **Light** pad is pressed again or after 5 minutes if the door is left open.

Small Load (on some models)

Select to use for a small load with any sensor cycle (except **SANITIZE**).

My Settings (on some models)

As the cycle selector knob is turned, the **Time** (timed dry), **Level** (dryness level) and **Temp** (temperature) settings change to automatic pre-set default settings. If you desire a different setting, press the appropriate pad(s). Then press and hold the **My Settings** pad for 3 seconds and the dryer will “remember” these settings for that Knob Selection. In the future, when you turn the selector knob to that cycle, your settings will be automatically recalled.

NOTE: Signal sound cannot be set for **My Settings**.

NOTE: On models equipped with **AI** (Artificial Intelligence), **My Settings** may be set automatically based on your usage habits. If you would like to reset this, press and hold **MY Settings** to clear the memory.

Control Lock

You can lock the controls to prevent any selections from being made. Or you can lock the controls after you have started a cycle. Children cannot accidentally start the dryer by touching pads with this option selected.

To lock/unlock the dryer controls, press and hold the **Light** pad for 3 seconds. The control lock icon will flash while locking/unlocking, stay on when locked, and turn off when unlocked.

NOTE: The **Power** pad can still be used when the machine is locked.

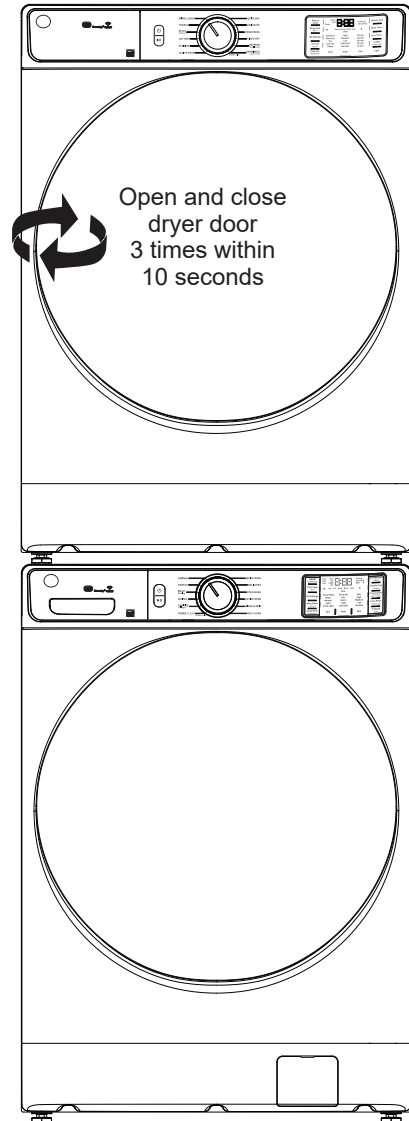
WiFi (Damp Alert/WiFi pad)

Press and hold the **Damp Alert/WiFi** pad for 3 seconds to activate.

Getting started

Dryer Control – Bluetooth® Pairing (on some models)

1. Power on both the **washer** and the **dryer** but do not start any cycles.
2. Press and hold the **Tumble Care** button on the **washer** for 5 seconds until the Bluetooth® LED (📶) starts to flash and you hear an audible tone.
3. Open and close the **dryer** door 3 times within 10 seconds to make it discoverable to the washer.
4. The washer will attempt to discover the dryer, the Bluetooth® icon will flash and both displays will blink “ - - - ”.
5. The Bluetooth® icon on the washer should illuminate solid signifying that the machines are now paired. The display on the washer will display “bt” once pairing is complete.
6. If the Bluetooth® units fail to pair, repeat above steps 1-5.
7. To unpair the machines, press and hold the **Tumble Care** button for 10 seconds or open and close the **dryer** door 3 times within 10 seconds.

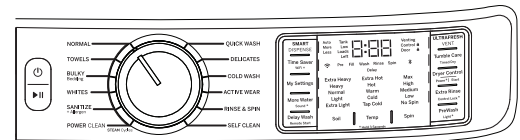


How to use the Dryer Control Feature (on some models)

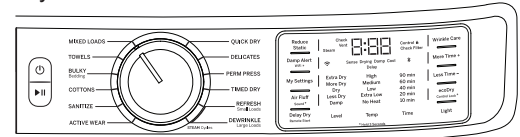
1. Power on the **washer**.
2. Press and hold the **Dryer Control** button on the **washer** for 3 seconds to power on the **dryer**.
3. The **dryer's** cycle selection will flash to display the recommended sensor cycle that pairs to the last completed washer cycle as the **washer** display reads “drY”.
4. To use this cycle, press the **Dryer Control** button to start the **dryer**. The **dryer** can be paused by opening its door or pressing the **Dryer Control** button. To restart the **dryer** with its door closed, press the **Dryer Control** button again.
5. To select **Timed Dry** instead of the sensor dry cycle, press the **Timed Dry** button on the **washer** while the display says “drY”. Repeated presses of this button will step through preset **Timed Dry** times (default is 10 minutes).
6. Once you've selected the **Timed Dry** cycle's duration, press the **Dryer Control** button within 10 seconds to start the dryer.



Washer



Dryer



NOTE: Your **dryer's** control panel is fully functional even when you are using **Dryer Control** through the **washer**.

Powering off the **washer** will not power off the **dryer** when a dry cycle is in progress.

Loading

Always follow fabric manufacturer's care label when laundering.

Sorting and Loading Hints

⚠ WARNING  - Fire Hazard

- Keep flammable materials and vapors, such as gasoline, away from dryer.
- **DO NOT** dry anything that has ever had anything flammable on it (even after washing).
- No washer can completely remove oil.
- **DO NOT** dry anything that has ever had any type of oil on it (including cooking oils).
- Items containing foam, rubber, or plastic must be dried on a clothesline.
- Failure to do so can result in death, explosion, or fire.

As a general rule, if clothes are sorted properly for the washer, they are sorted properly for the dryer. Try also to sort items according to size. For example, do not dry a sheet with socks or other small items.

Do not add fabric softener sheets once the load has become warm. They may cause fabric softener stains. Bounce® Fabric Conditioner Dryer Sheets have been approved for use in this dryer when used in accordance with the manufacturer's instructions.

Do not overload. This wastes energy and causes wrinkling.

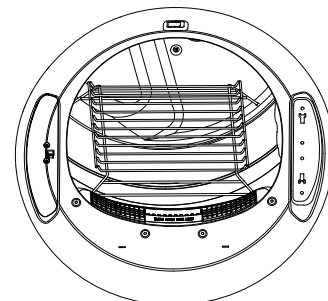
Drying Rack (Available as an option)

A handy drying rack may be used for drying delicate items such as washable sweaters.

To install the drying rack, place the rack all the way into the dryer drum and fit its feet down and securely into place in the dryer.

NOTES:

- The drying rack must be used with the **TIMED DRY** cycle. Use with sensor cycles may result in damp items or extended cycle times.
- Do not use this drying rack when there are other clothes in the dryer.
- If your model did not come with a drying rack, order **WE02X29449** on-line at **GEApplianceparts.com**, 24 hours a day or by phone at **877.959.8688** during normal business hours.



Care and cleaning

Interior and Duct

The interior of the appliance and exhaust duct should be cleaned once a year by qualified service personnel.

The Exhaust Duct: Inspect and clean the exhaust ducting at least once a year to prevent clogging. A partially clogged exhaust can lengthen the drying time.

Follow these steps:

- 1 Turn off electrical supply by disconnecting the plug from the wall socket.
- 2 Disconnect the duct from the dryer.
- 3 Vacuum the duct with the hose attachment and reconnect the duct.

The Exhaust Hood: Check with a mirror that the inside flaps of the hood move freely when operating. Make sure that there is no wildlife (birds, insects, etc.) nesting inside the duct or hood.

Exterior

Wipe or dust any spills or washing compounds with a damp cloth. Dryer control panel and finishes may be damaged by some laundry pretreatment soil and stain remover products. Apply these products away from the dryer. The fabric may then be washed and dried normally. Damage to your dryer caused by these products is not covered by your warranty.

Lint Filter

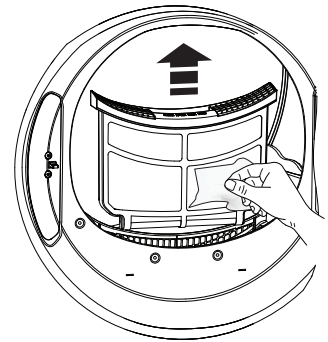
Clean the lint filter before each use.

Remove by pulling straight up. Run your fingers across the filter. A waxy buildup may form on the lint filter from using dryer added fabric softener sheets.

To remove this buildup, wash the lint screen in warm, soapy water. Dry thoroughly and replace.

Vacuum the lint from the dryer lint filter area if you notice a change in dryer performance.

NEVER OPERATE THE DRYER WITHOUT ITS FILTER IN PLACE.



Stainless Steel (on GFD85 & PFD95 models only)

The stainless steel used to make the dryer drum provides the highest reliability available in a GE Appliances dryer. If the dryer drum should be scratched or dented during normal use, the drum will not rust or corrode. These surface blemishes will not affect the function or durability of the drum.

To clean stainless steel surfaces use a damp cloth with a mild, non-abrasive cleaner suitable for stainless steel surfaces. Remove the cleaner residue and then dry with a clean cloth.

Alcosta Aluminized Steel (on all other models)

The steel used to make the dryer drum has an aluminized coating on its surface to prevent it from rusting or corroding. Any surface blemishes will not affect the function or durability of the drum.

To clean the Alcosta surface use a damp cloth with a mild, non-abrasive cleaner suitable for stainless steel surfaces. Remove the cleaner residue and then dry with a clean cloth.

Drum Light (on some models)

The drum light is an LED light. Replacement must be done by a qualified technician.

Installation Instructions

Dryer

If you have any questions, call **GE Appliances at 800.GE.CARES (800.432.2737)** or visit our Website at: **GEAppliances.com**
In Canada, call **800.561.3344** or visit **www.GEAppliances.ca**

BEFORE YOU BEGIN

Read these instructions completely and carefully.

- **IMPORTANT** – Save these instructions for local electrical inspector's use.
- **IMPORTANT** – Observe all governing codes and ordinances.
- Install the clothes dryer according to the manufacturer's instructions and local codes.
- **Note to Installer** – Be sure to leave these instructions with the Consumer.
- **Note to Consumer** – Keep these instructions for future reference.
- Clothes dryer installation must be performed by a qualified installer.
- This dryer must be exhausted to the outdoors.
- Before the old dryer is removed from service or discarded, remove the dryer door.
- Service information and the wiring diagram are located in the control console.
- Do not allow children on or in the appliance. Close supervision of children is necessary when the appliance is used near children.
- Proper installation is the responsibility of the installer.
- Product failure due to improper installation is not covered under the Warranty.
- Install the dryer where the temperature is above 50°F for satisfactory operation of the dryer control system.
- Remove and discard existing plastic or metal foil duct and replace with UL-listed duct.

If you are planning to stack the washer and dryer, order Stacking Kit number **GFA28KITN** to be used for this dryer. Kit sold separately.

WARNING

- Risk of Fire

- Clothes dryer installation must be performed by a qualified installer.
- Install the clothes dryer according to these instructions and local codes.
- **DO NOT** install a clothes dryer with flexible plastic venting materials. If flexible metal (semi-rigid or foil-type) duct is installed, it must be UL-listed and installed in accordance with the instructions found in "Connecting the Dryer to House Vent" later in this manual. Flexible venting materials are known to collapse, be easily crushed and trap lint. These conditions will obstruct dryer airflow and increase the risk of fire.
- **DO NOT** install or store this appliance in any location where it could be exposed to water or weather.
- To reduce the risk of severe injury or death, follow all installation instructions.
- Save these instructions. (Installers: Be sure to leave these instructions with the customer.)

FOR GAS DRYERS ONLY

In the Commonwealth of Massachusetts, the following installation instructions apply:

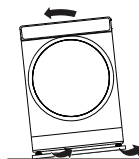
- Installation must be performed by a qualified or licensed contractor, plumber, or gasfitter qualified or licensed by the State.
- If using a ball valve, it shall be a T-handle type.
- A flexible gas connector, when used, must not exceed 4 feet (1.2 m).

Installation Instructions

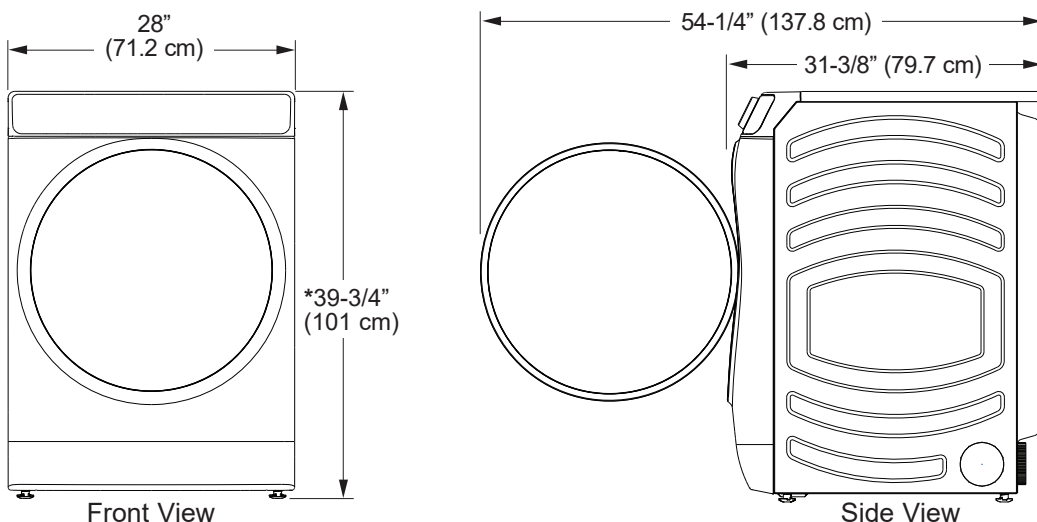
UNPACKING YOUR DRYER

Tilt the dryer sideways and remove the foam shipping pads by pulling at the sides and breaking them away from the dryer legs. Be sure to remove all of the foam pieces around the legs.

Remove the bag containing the literature. Consider recycling options for your appliance packaging material.



DRYER DIMENSIONS



***NOTE:** With leveling legs retracted: 39-3/4 (101 cm).
 With leveling legs fully extended: 40-5/8 (103.1 cm).
 With Optional Pedestal: 55-1/2" (141 cm) Min. - 56-5/8" (143.8 cm) Max.
 Stacked: 79-1/8" (201 cm).

STEAM WATER HOSES (for steam dryer models only):

GE Appliances strongly recommends the use of factory specified parts. These hoses are manufactured and tested to meet GE Appliances specifications.

GE Appliances strongly recommends the use of new water supply hoses. Hoses degrade over time and need to be replaced every 5 years to reduce the risk of hose failures and water damage.

Parts and Accessories

Order on-line at GEApplianceparts.com, 24 hours a day or by phone at **877.959.8688** during normal business hours.

Part Number	Accessory
WE25X20060	Complete Kit (hoses, Y-adapter, washers) or
WE49X25794	Kit (Short hose, Y-adapter, washers) and
WE1M847	Long Hose
OR SEPARATELY	
WE1M847	Long Hose and
WE1M848	Short Hose

ACCESSORIES:

Order on-line at GEApplianceparts.com, 24 hours a day or by phone at **877.959.8688** during normal business hours.

Part Number	Accessory
GFR0728SNWW	White Riser
GFR0728PNSN	Satin Nickel Riser
GFR0728PNRS	Royal Sapphire Riser
GFR0728PNDG	Diamond Gray Riser
GFR0728PTDS	Black Slate Riser

Part Number	Accessory
GFA28KITN	Stacking Kit for Dryer over Washer
GFA28DSVN (WE16X29317)	Dryer Venting Kit
PM08X10085	Flexible Metal Dryer Transition Duct
WE02X29449	Clothes Dryer Drying Rack
GFP1528SNWW	White Pedestal
GFP1528PNSN	Satin Nickel Pedestal
GFP1528PNRS	Royal Sapphire Pedestal
GFP1528PNDG	Diamond Gray Pedestal
GFP1528PTDS	Black Slate Pedestal

Installation Instructions

REQUIREMENTS FOR ALCOVE OR CLOSET INSTALLATION

⚠ WARNING - Explosion Hazard

Keep flammable materials and vapors, such as gasoline, away from dryer.

Place dryer at least 18" (46 cm) above the floor for a garage installation.

Failure to do so can result in death, explosion, or fire.

- The dryer **MUST** be vented to the outdoors.
 - Minimum clearance between dryer cabinet and adjacent walls or other surfaces is:
 - 0" (0 cm) either side*
 - 0" (0 cm) front
 - 0" (0 cm) rear
 - 0" (0 cm) top
- *For improved performance, a 1/2" (12.7 mm) clearance is suggested on each side.
- The rear of the dryer should face a wall.
 - Consideration must be given to provide adequate clearance for installation and service.
 - Closet doors must be louvered or otherwise ventilated and have at least 60 square inches (387 cm²) of open area. If the closet contains both a washer and a dryer, doors must contain a minimum of 120 square inches (774 cm²) of open area.

NOTE: WHEN THE EXHAUST DUCT IS LOCATED AT THE REAR OF THE DRYER, THE CONFIGURATION OF THE DUCTING MAY REQUIRE GREATER CLEARANCE.

Gas Dryers Only:

- No other fuel burning appliance shall be installed in the same closet as a gas dryer.
- The dryer must be disconnected from the gas supply piping during pressure testing at pressures greater than 1/2 psi (3.5 kPa).
- A 1/8" (3.2 mm) NPT minimum plugged tapping, accessible for test gauge connection, must be installed immediately upstream of the gas supply connection to the dryer.

MINIMUM CLEARANCE OTHER THAN ALCOVE OR CLOSET INSTALLATION

Minimum clearance to combustible surfaces and for air opening are: 0" (0 cm) both sides*, 0" (0 cm) rear and 0" (0 cm) top.

*For improved performance, a 1/2" (12.7 mm) clearance is suggested on each side.

The rear of the dryer should face a wall.

Consideration must be given to provide adequate clearance for installation and service.

MOBILE OR MANUFACTURED HOME INSTALLATION

- Installation **MUST** conform to the MANUFACTURED HOME CONSTRUCTION AND SAFETY STANDARD, TITLE 24, PART 3280 or STANDARD FOR MOBILE HOMES CAN/CSA-Z240 MH, or, when such standards are not applicable, with AMERICAN NATIONAL STANDARD FOR MOBILE HOME, ANSI/NFPA NO. 501B.
- The dryer **MUST** be vented to the outdoors.
- The exhaust vent **MUST** be securely fastened to a non-combustible portion of the mobile home.
- The vent **MUST NOT** be terminated beneath a mobile or manufactured home.
- The vent duct material **MUST BE METAL**.
- KIT 14-D346-33 **MUST** be used to attach the dryer securely to the structure.
- The vent **MUST NOT** be connected to any other duct, vent or chimney.
- **DO NOT** use sheet metal screws or other fastening devices which extend into the interior of the exhaust vent.
- Provide an opening with a free area of at least 25 square inches (63 cm²) for introduction of outside air into the dryer room.
- See the sections for electrical connection information.

Installation Instructions

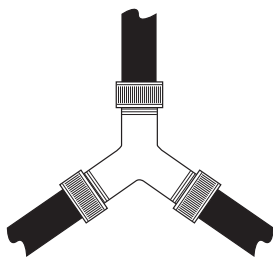
CONNECTING INLET HOSES (for steam dryer models only)

CONNECTING INLET HOSES

To produce steam, the dryer must connect to the cold water supply. Since the washer must also connect to the cold water, a “Y” connector is inserted to allow both inlet hoses to make that connection at the same time.

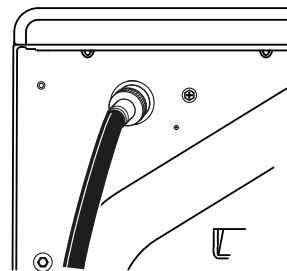
NOTE: Use new inlet hoses; never use old hoses.

1. Turn the cold water faucet off. Remove the washer inlet hose from the washer fill valve connector (cold).
2. Ensure the rubber flat washer is in place and attach one female coupling of the short hose provided onto the washer fill valve connector. Tighten by hand until firmly seated.
3. Attach one male end of the “Y” connector to the other female coupling of the short hose. Ensure the rubber flat washer is in place. Tighten by hand until firmly seated.



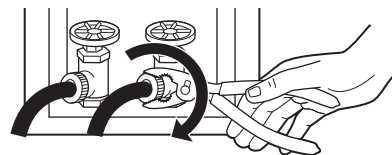
4. Insert the filter screen in the coupling of the **washer's** inlet hose. If a rubber flat washer is already in place remove it before installing the filter screen. Attach this coupling to one male end of the “Y” connector. Tighten by hand until firmly seated.
5. Ensure the rubber flat washer is in place and attach a 4 ft. (1.2 m) to 6 ft. (1.8 m) long water inlet hose (may need to be purchased separately) to one male end of the “Y” connector. Tighten by hand until firmly seated.
6. Ensure the rubber flat washer is in place and attach the other end of the **dryer's** long inlet hose to the fill valve connector at the bottom of the dryer back panel. Tighten by hand until firmly seated.

CONNECTING INLET HOSES (cont.)



7. Using pliers, tighten all the couplings with an additional two-thirds turn.

NOTE: Do not overtighten. Damage to the couplings may result.



8. Turn the water faucet on.
9. Check for leaks around the “Y” connector, faucet and hose couplings.

WATER SUPPLY REQUIREMENTS

Hot and cold water faucets **MUST** be installed within 42 in. (107 cm) of your washer's water inlet. The faucets **MUST** be 3/4" (19.1 mm) garden hose-type so inlet hoses can be connected. Water pressure **MUST** be between 10 and 120 pounds per square inch. Your water department can advise you of your water pressure.

NOTE: A water softener is recommended to reduce buildup of scale inside the steam generator if the home water supply is very hard.

Installation Instructions

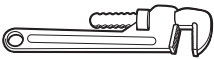
CONNECTING A GAS DRYER (skip for electric dryers)

TOOLS YOU WILL NEED

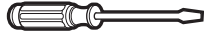
- 10" (25.40 cm) Adjustable wrenches (2)



- 8" (20.32 cm) Pipe wrench



- Flat-blade screwdriver



- Slip-joint pliers



- Level

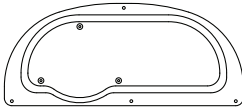


MATERIALS YOU WILL NEED

GFA28DSVN Kit

(All parts included in this Kit or parts may be purchased separately)

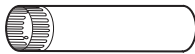
- Access Panel



- 4" (10.2 cm) dia. metal elbow



- 4" (10.2 cm) dia. metal duct (recommended)



- 4" (10.2 cm) Duct clamps (2) or 4" (10.2 cm) spring clamps (2)



- 4" (10.2 cm) dia., UL-listed flexible metal duct (if needed)



- Aluminum foil tape



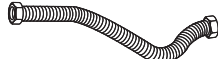
- Exhaust hood



- Pipe compound or PTFE tape



- Flexible gas line connector



- Gas pipe adapters (2), elbow and pipe plug



- Soap solution for leak detection



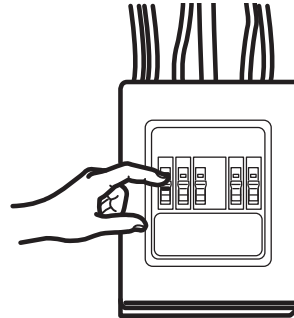
- Gloves



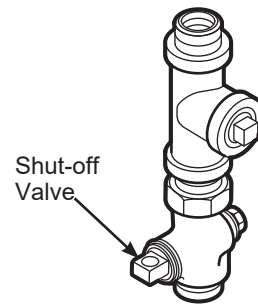
- Safety glasses



- Before beginning the installation, turn off the circuit breaker(s) or remove the dryer's circuit fuse(s) at the electrical box. Be sure the dryer cord is unplugged from the wall.



- Turn the dryer's gas shut-off valve in the supply line to the OFF position.



- Disconnect and discard old flexible gas connector and ducting material.



Installation Instructions

CONNECTING A GAS DRYER (cont.)

GAS REQUIREMENTS

⚠ WARNING - Explosion Hazard

- Use a new CSA International approved flexible gas supply line. Never reuse old flexible connectors.
- Install an individual manual shut-off valve within 6ft. of the dryer in accordance with the National Fuel Gas Code, ANSI Z223.1/NFPA 54.
- Securely tighten all gas connections.
- If connected to LP gas, have a qualified person make sure gas pressure **DOES NOT** exceed 13" (33 cm) water column.
- Examples of a qualified person include: licensed heating personnel, authorized gas company personnel, and authorized service personnel.
- Failure to do so can result in death, explosion, or fire.

- The installation must conform with local codes, or in the absence of local codes, with the National Fuel Gas Code, ANSI Z223.1/ NFPA 54, or the Natural Gas and Propane Installation Code, CSA B149.1.

GAS SUPPLY

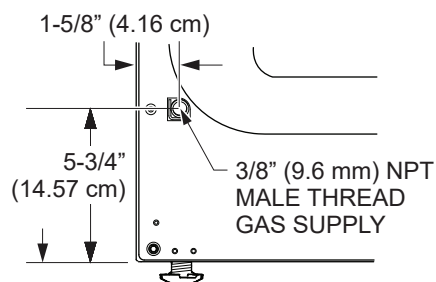
- A 1/8" (3.2 mm) National Pipe Taper thread plugged tapping, accessible for test gauge connection, must be installed immediately upstream of the gas supply connection to the dryer. Contact your local gas utility should you have questions on the installation of the plugged tapping.
- Supply line is to be 1/2" (12.7 mm) rigid pipe and equipped with an accessible shutoff within 6 feet (1.8 m) of, and in the same room with, the dryer.
- Use pipe thread compound appropriate for natural or LP gas or use PTFE tape.
- Connect flexible metal connector to dryer and gas supply.

⚠ WARNING - Fire Hazard

FOR USE WITH NATURAL GAS ONLY

Dryer as produced by manufacturer is to be used only with a natural gas supply. A manufacturer-supplied conversion kit is required to convert this dryer for propane gas supply. Use propane gas conversion kit WE25M87. Conversion must be made by properly trained and qualified personnel in accordance with local codes and ordinances.

DRYER GAS SUPPLY CONNECTION



NOTE: Add to vertical dimension the distance between cabinet bottom to floor.

You must use with this dryer a flexible metal connector (listed connector ANSI Z21.24 / CSA 6.10). The length of the connect shall not exceed 4 ft. (1.2 m).

ADJUSTING FOR ELEVATION

- Gas clothes dryers input ratings are based on sea level operation and need not be adjusted for operation at or below 2000 ft. (610 m) elevation. For operation at elevations above 2000 ft. (610 m), input ratings should be reduced at a rate of 4 percent for each 1000 ft. (305 m) above sea level.
- Installation must conform to local codes and ordinances or, in their absence, the NATIONAL FUEL GAS CODE, ANSI Z223.

Installation Instructions

CONNECTING A GAS DRYER (cont.)

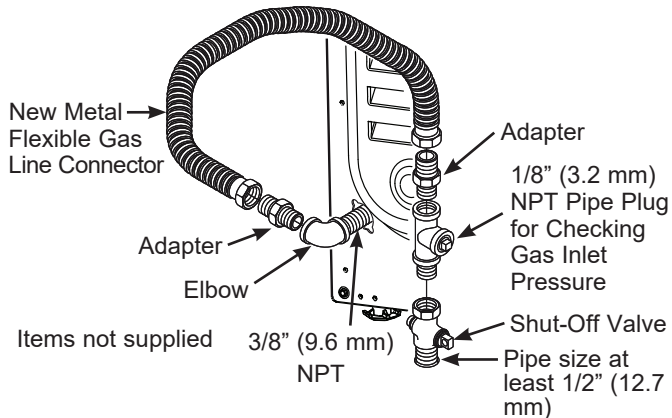
CONNECTING THE DRYER TO THE GAS SUPPLY

A Install a female 3/8" (9.6 mm) NPT elbow at the end of the dryer gas inlet.

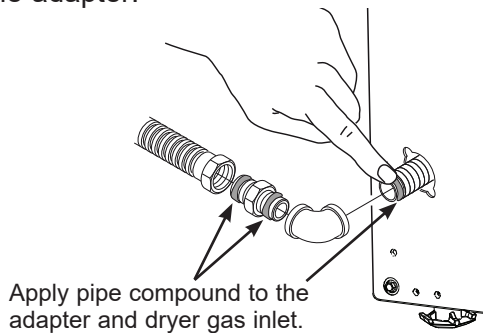
Install a 3/8" (9.6 mm) flare union adapter to the female elbow.

IMPORTANT: Use a pipe wrench to securely hold on to the end of the dryer gas inlet to prevent twisting the inlet.

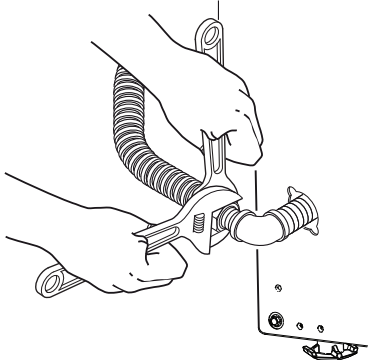
NOTE: Apply pipe compound or PTFE tape to the threads of the adapter and dryer gas inlet.



B Attach the flexible metal gas line connector to the adapter.



C Tighten the flexible gas line connection, using two adjustable wrenches.

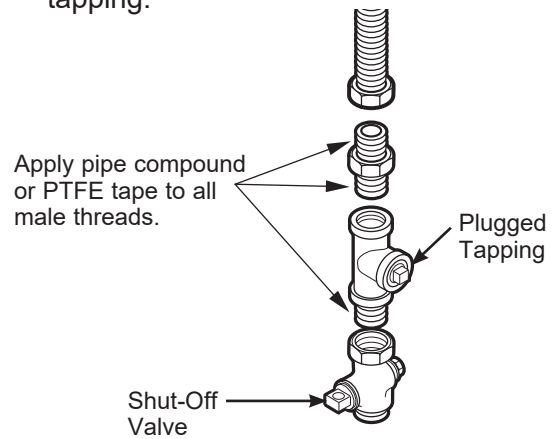


CONNECTING THE DRYER TO THE GAS SUPPLY (cont.)

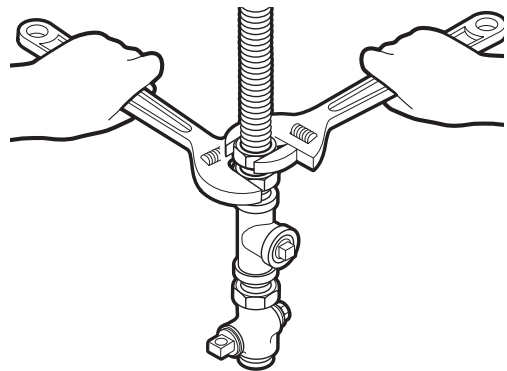
D Install a 1/8" (3.2 mm) NPT plugged tapping to the dryer gas line shut-off valve for checking gas inlet pressure.

Install a flare union adapter to the plugged tapping.

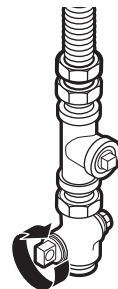
NOTE: Apply pipe compound or PTFE tape to the threads of the adapter and plugged tapping.



E Tighten all connections, using two adjustable wrenches. **Do not overtighten.**



F Open the gas shut-off valve.



Installation Instructions

CONNECTING A GAS DRYER (cont.)

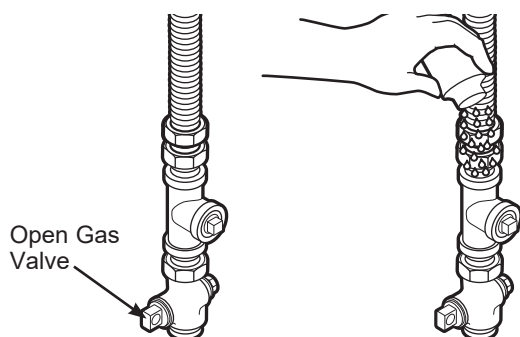
TEST FOR LEAKS

Never use an open flame to test for gas leaks.

Check all connections for leaks with soapy solution or equivalent.

Apply a soap solution. The leak test solution must not contain ammonia, which could cause damage to the brass fittings.

If leaks are found, close the valve, retighten the joint and repeat the soap test.



ELECTRICAL CONNECTION INFORMATION FOR GAS DRYERS

⚠ WARNING - Electrical Shock Hazard

Plug into a grounded 3 prong outlet.

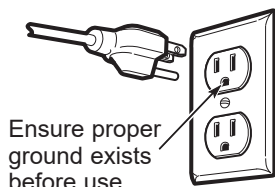
DO NOT remove ground prong.

DO NOT use an adapter.

DO NOT use an extension cord.

Failure to do so can result in death, fire or electrical shock.

- Circuit – Individual properly polarized and grounded 15 or 20 amp circuit breaker or time-delay fuse.
- Power Supply – 2-wire plus ground, 120 Volt, single phase, 60 Hz, alternating current.
- Outlet Receptacle – Properly grounded 3-prong receptacle to be located so the power cord is accessible when the dryer is in an installed position. If a 2-prong receptacle is present, it is the owner's responsibility to have a licensed electrician replace it with a properly grounded 3-prong grounding type receptacle.



ELECTRICAL CONNECTION INFORMATION FOR GAS DRYERS (cont.)

- Dryer must be electrically grounded in accordance with local codes and ordinances, or in the absence of local codes, with the latest edition of the NATIONAL ELECTRICAL CODE, ANSI/NFPA NO. 70 or CANADIAN ELECTRICAL CODE, CSA C22.1. Check with a licensed electrician if you are not sure that the dryer is properly grounded.

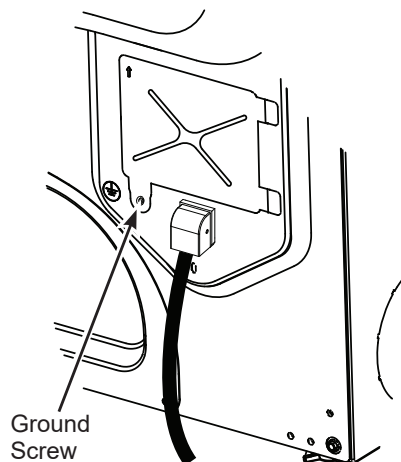
GROUNDING INSTRUCTIONS

This dryer must be grounded. In the event of a malfunction or breakdown, grounding will reduce the risk of electric shock by providing a path of least resistance for electric current. This dryer uses a cord having an equipment-grounding conductor and a grounding plug. The plug must be plugged into an appropriate outlet that is properly installed and grounded in accordance with all local codes and ordinances.

⚠ WARNING Improper connection of the equipment-grounding conductor can result in a risk of electric shock. Check with a qualified electrician, or service representative or personnel, if you are in doubt as to whether the appliance is properly grounded. **DO NOT** modify the plug on the power supply cord. If it will not fit the outlet, have a proper outlet installed by a qualified electrician.

SAVE THESE INSTRUCTIONS

- If required by local codes, an external 18 gauge or larger copper ground wire (not provided) may be added. Attach to dryer cabinet with a #8-18 x 1/2" (12.7 mm) sheet metal screw (available at any hardware store) to rear of dryer as illustrated.







Installation Instructions

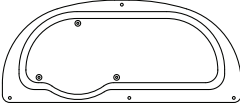

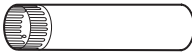





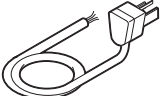


CONNECTING AN ELECTRIC DRYER

(Skip for gas dryers and if your dryer already has a power cord attached)

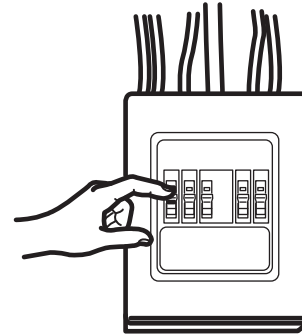
TOOLS YOU WILL NEED

- Slip-joint pliers 
- Flat-blade screwdriver 
- Phillips screwdriver 
- Level 

MATERIALS YOU WILL NEED

- GFA28DSVN Kit**
(All parts included in this Kit or parts may be purchased separately)
- Access Panel 
- 4" (10.2 cm) dia. metal elbow 
- 4" (10.2 cm) dia. metal duct (recommended) 
- 4" (10.2 cm) Duct clamps (2) or 4" (10.2 cm) spring clamps (2) 
- 4" (10.2 cm) dia., UL-listed flexible metal duct (if needed) 
- Aluminum foil tape 
- Exhaust hood 
- Metal strain relief clamp (UL recognized) 
- Dryer power cord kit (not provided with dryer)
UL rated 120/240V, 30A with 3 or 4 prongs. Identify the plug type as per the house receptacle before purchasing line cord. 
- Stacking installations may require a power cord up to 6 feet (1.8 m) in length.
- Gloves 
- Safety glasses 

Before making the electrical connection, turn off the circuit breaker(s) or remove the dryer's circuit fuse(s) at the electrical box. Be sure the dryer cord is unplugged from the wall. NEVER LEAVE THE ACCESS COVER OFF THE TERMINAL BLOCK.



⚠ WARNING - Electrical Shock Hazard

Disconnect power supply before servicing.
Replace all parts and panels before operating.
Failure to do so can result in death or electrical shock.

POWER CORDS

GE Appliances strongly recommends the use of factory specified parts. Select the power cord to fit your installation requirements.

NOTE: If your dryer circuit is on a circuit protected by a GFCI breaker, then 3-wire installation is not permitted. House wiring and dryer must be configured for 4-wire.

Part Number	Type	Length	Amperage
WX9X2	3-Prong	4 ft. (1.2 m)	30
WX9X3	3-Prong	5 ft. (1.5 m)	30
WX9X4	3-Prong	6 ft. (1.8 m)	30
WX9X18	4-Prong	4 ft. (1.2 m)	30
WX9X19	4-Prong	5 ft. (1.5 m)	30
WX9X20	4-Prong	6 ft. (1.8 m)	30

Order on-line at **GEApplianceparts.com** today, 24 hours a day or by phone at 877.959.8688 during normal business hours. In Canada, visit your local GE Appliances parts distributor or call 800.661.1616 or **GEAppliances.ca/en/products/parts-filters-accessories**.

Installation Instructions

ELECTRICAL CONNECTION INFORMATION FOR ELECTRIC DRYERS

For electrical connections using a power cord:

NOTE: If your dryer circuit is on a circuit protected by a GFCI breaker, then 3-wire installation is not permitted. House wiring and dryer must be configured for 4-wire.

WARNING - Fire Hazard

Use a new UL-listed 240V 30 amp dryer power supply cord with closed ring terminals or spade terminals with upturned ends.

Use a UL-listed strain relief.

Disconnect power before making electrical connections.

Connect neutral wire (white or center wire) to center terminal.

Ground wire (green or bare wire) must be connected to green ground connector.

Connect remaining two supply wires to remaining two terminals.


Securely tighten all electrical connections.

Replace the terminal block cover.

Failure to do so can result in death, fire or electrical shock.

GROUNDING INSTRUCTIONS

For a grounded, cord-connected dryer: This dryer must be grounded. In the event of a malfunction or breakdown, grounding will reduce the risk of electric shock by providing a path of least resistance for electric current. This dryer uses a cord having an equipment-grounding conductor and a grounding plug. The plug must be plugged into an appropriate outlet that is properly installed and grounded in accordance with all local codes and ordinances.

 **WARNING** Improper connection of the equipment-grounding conductor can result in a risk of electric shock. Check with a qualified electrician, or service representative or personnel, if you are in doubt as to whether the appliance is properly grounded. **DO NOT** modify the plug on the power supply cord. If it will not fit the outlet, have a proper outlet installed by a qualified electrician.

SAVE THESE INSTRUCTIONS

WARNING - Electrical Shock Hazard

TO PREVENT ELECTRIC SHOCK, DISCONNECT POWER BEFORE SERVICING.

This dryer should be connected to an individual branch circuit with 10 gauge copper wire minimum through a 30 amp fuse or circuit breaker. **DO NOT** fuse neutral.

Use copper conductors only.

ELECTRICAL CONNECTION INFORMATION FOR ELECTRIC DRYERS

For direct wire connections:

WARNING - Fire Hazard

Use 10 gauge copper wire.

Use a UL-listed strain relief.

Disconnect power before making electrical connections.

Connect neutral wire (white or center wire) to center terminal.

Ground wire (green or bare wire) must be connected to green ground connector.

Connect remaining two supply wires to remaining two terminals.


Securely tighten all electrical connections.

Replace the terminal block cover.

Failure to do so can result in death, fire or electrical shock.

GROUNDING INSTRUCTIONS

For a permanently connected dryer: This dryer must be connected to a grounded metal, permanent wiring system, or an equipment-grounding conductor must be run with the circuit conductors and connected to the equipment-grounding terminal on the appliance.

 **WARNING** Improper connection of the equipment-grounding conductor can result in a risk of electric shock. Check with a qualified electrician, or service representative or personnel, if you are in doubt as to whether the appliance is properly grounded.

SAVE THESE INSTRUCTIONS

WARNING - Electrical Shock Hazard

TO PREVENT ELECTRIC SHOCK, DISCONNECT POWER BEFORE SERVICING.

This dryer should be connected to an individual branch circuit with 10 gauge copper wire minimum through a 30 amp fuse or circuit breaker. **DO NOT** fuse neutral.

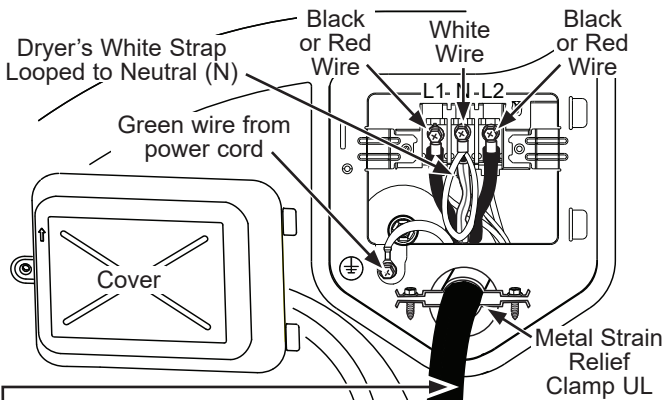
Use copper conductors only.

Installation Instructions

CONNECTING AN ELECTRIC DRYER (cont.)

CONNECTING DRYER USING 4-WIRE CONNECTION (MUST BE USED FOR MOBILE HOME INSTALLATION)

NOTE: Since January 1, 1996, the National Electrical Code requires that new constructions use a 4-wire connection to an electric dryer. A 4-wire cord must also be used where local codes do not permit grounding through the neutral. 3-wire connection is NOT for use on new construction.



4 #10 AWG minimum copper conductors or 120/240V 30A power supply cord kit marked for use with dryers and provided with closed loop or spade terminals with upturned ends (not supplied).

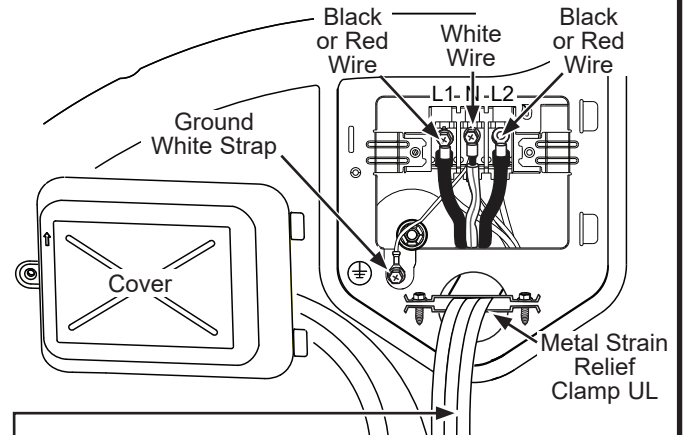
1. Turn off the circuit breaker(s) (30 amp) or remove the dryer's circuit fuse at the electrical box.
2. Be sure the dryer cord is unplugged from the wall receptacle.
3. Remove the power cord cover located at the lower back.
4. Remove green ground screw and retain for use in Step 7. Leave one end of the short white strap loose until Step 6. Remove center screw (marked N) in terminal block.
5. Place the UL-recognized metal strain relief clamp to power cord entry hole. Bring power cord through strain relief clamp.
6. Connect power cord as follows:
 - A. Connect the 2 hot lines to the outer screws of the terminal block (marked L1 and L2).
 - B. Connect the neutral (white) line and the loose end of the short white strap to the center of the terminal block (marked N).
7. Attach ground wire of power cord with the green ground screw (hole to left of strain relief clamp). Tighten all terminal block screws (3) securely.
8. Properly secure power cord to strain relief clamp.
9. Reinstall the cover.

NEVER LEAVE THE COVER OFF OF THE TERMINAL BLOCK.

CONNECTING DRYER USING 3-WIRE CONNECTION

NOTE: If your dryer circuit is on a circuit protected by a GFCI breaker, then 3-wire installation is not permitted. House wiring and dryer must be configured for 4-wire.

If required, by local code, install external ground (not provided) to grounded metal, cold water pipe, or other established ground determined by a qualified electrician.



3 #10 AWG minimum copper conductors or 120/240V 30A power supply cord kit marked for use with dryers and provided with closed loop or spade terminals with upturned ends (not supplied).

3-wire Connection

Not for use in Canada.

DO NOT use for Mobile Home Installations.

NOT for use on new construction.

NOT for use on recreational vehicles.

NOT for use in areas where local codes prohibit grounding through the neutral conduction.

1. Turn off the circuit breaker(s) (30 amp) or remove the dryer's circuit fuse at the electrical box.
2. Be sure the dryer cord is unplugged from the wall receptacle.
3. Remove the power cord cover located at the lower back.
4. Place the UL-recognized metal strain relief clamp to power cord entry hole. Bring power cord through strain relief clamp.
5. Connect power cord as follows:
 - A. Connect the 2 hot lines to the outer screws of the terminal block (marked L1 and L2).
 - B. Connect the neutral (white) line to the center of the terminal block (marked N).
6. Be sure ground white strap is connected to green ground screw on cabinet rear. Tighten all terminal block screws (3) securely.
7. Properly secure power cord to strain relief clamp.
8. Reinstall the cover.

NEVER LEAVE THE COVER OFF OF THE TERMINAL BLOCK.

Installation Instructions

EXHAUSTING THE DRYER

⚠ WARNING - Fire Hazard

This dryer **MUST** be vented to the outdoors. Use only 4" (10.2 cm) rigid metal ducting for the home exhaust duct.

Use only 4" (10.2 cm) rigid metal, UL-listed flexible metal, or UL-listed metal foil dryer transition duct to connect the dryer to the home exhaust.

DO NOT use any plastic to vent the dryer, this includes the home exhaust duct, dryer transition duct, or within the dryer.

DO NOT use flexible metal or metal foil ducting for a home exhaust duct or within the dryer.

DO NOT exhaust into a chimney, kitchen exhaust, gas vent, wall, ceiling, attic, crawl space, or concealed space of a building.

DO NOT install a screen in or over the exhaust duct.

DO NOT install a booster fan in the exhaust duct.

DO NOT use duct longer than specified in the exhaust length table.

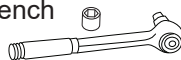
Failure to follow these instructions can result in death or fire.

TOOLS AND MATERIALS YOU WILL NEED TO INSTALL EXHAUST DUCT

1/4" (6.4 mm) Socket & Nut Driver



1/4" (6.4 mm) Socket & Wrench



Aluminum foil tape or duct clamp



Vent hood



PARTS AVAILABLE FROM GEAPPLIANCEPARTS.COM OR LOCAL SERVICE ORGANIZATIONS

GFA28DSVN (WE16X29317)	Dryer Venting Kit
PM8X85	Outdoor exhaust hood
WX08X10130	4" (10.2 cm) Dryer exhaust clamp

CONNECTING THE DRYER TO HOUSE VENT

RIGID METAL TRANSITION DUCT

- For best drying performance, a rigid metal transition duct is recommended.
- Rigid metal transition ducts reduce the risk of crushing and kinking.

UL-LISTED FLEXIBLE METAL CLOTHES DRYER TRANSITION DUCT

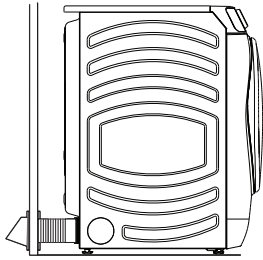
- If rigid metal cannot be used, then UL-listed flexible metal clothes dryer transition duct (GE Appliances part – PM08X10085) can be used.
- Never install transition duct in walls, ceilings, floors or other enclosed spaces.
- Total length of transition duct should not exceed 8' (2.4 m).
- For many applications, installing elbows at both the dryer and the wall is highly recommended (see illustrations in next section). Elbows allow the dryer to sit close to the wall without kinking and/or crushing the transition duct, maximizing drying performance.
- Avoid resting the duct on sharp objects.

UL-LISTED FLEXIBLE METAL (FOIL-TYPE) TRANSITION DUCT

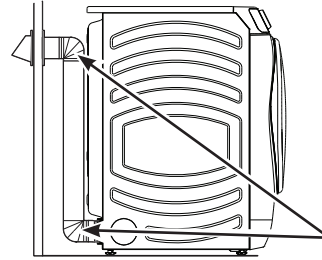
- In special installations, it may be necessary to connect the dryer to the home exhaust vent using flexible metal (foil-type) transition duct. UL-LISTED universal flexible dryer transition duct (GE Appliances parts – PM8X73 or WX8X73) may be used **ONLY** in installations where rigid metal or flexible metal transition ducting cannot be used **AND** where a 4" (10.2 cm) diameter can be maintained throughout the entire length of the transition duct.
- In Canada and the United States, only transition ducts that comply with "**UL 2158A STANDARD FOR CLOTHES DRYER TRANSITION DUCT**" shall be used.
- Avoid resting the duct on sharp objects.
- For best drying performance:
 1. Slide one end of the duct over the clothes dryer outlet pipe.
 2. Secure the duct with a clamp.
 3. With the dryer in its permanent position, extend the duct to its full length. Allow 2" (5.08 cm) of duct to overlap the exhaust pipe. Cut off and remove excess duct. Keep the duct as straight as possible for maximum airflow.
 4. Secure the duct to the exhaust pipe with the other clamp.

Installation Instructions

EXHAUSTING THE DRYER (cont.)

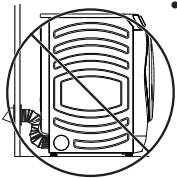


• **DO** cut duct as short as possible and install straight into wall.

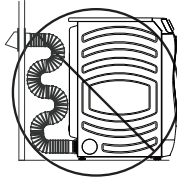


• **DO** use elbows when turns are necessary.

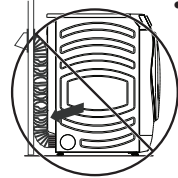
Elbows



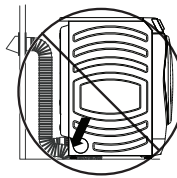
• **DO NOT** bend or collapse ducting. Use elbows if turns are necessary.



• **DO NOT** use excessive exhaust length. Cut duct as short as possible.



• **DO NOT** crush duct against the wall.



• **DO NOT** set dryer on duct.

EXHAUST LENGTH

Using exhaust longer than specified length will:

- Increase the drying times and the energy cost.
- Reduce the dryer life.
- Accumulate lint, creating a potential fire hazard.

The correct exhaust installation is **YOUR RESPONSIBILITY.**

Problems due to incorrect installation are not covered by the warranty.

The **MAXIMUM ALLOWABLE** length of the exhaust system depends upon the type of duct, number of turns, the type of exhaust hood (wall cap) and all conditions noted on the chart.

- Internal elbows added for side or bottom vent conversions must be included in the total elbow count.
- Any elbow greater than 45° should be treated as a 90° elbow; one elbow of 45° or less may be ignored.
- Two 45° elbows will be treated like one 90° elbow.
- For the side exhaust installations, add one 90° elbow to the chart.
- For every additional 90° elbow, reduce the allowable vent system length by 10 feet (3 m).
- When calculating the total vent system length, you must add all the straight portions and elbows of the system (including the transition duct).

EXHAUST LENGTH FOR NORMAL VENT MODELS

	RECOMMENDED MAXIMUM LENGTH	
	Exhaust Hood Types	
	Recommended	Use only for short run installations
No. of 90° Elbows	Rigid Metal	Rigid Metal
0	90 Feet (27.4 m)	60 Feet (18.3 m)
1	60 Feet (18.3 m)	45 Feet (13.7 m)
2	45 Feet (13.7 m)	35 Feet (10.7 m)
3	35 Feet (10.7 m)	25 Feet (7.6 m)
4	25 Feet (7.6 m)	15 Feet (4.6 m)

EXHAUST LENGTH FOR LONG VENT MODELS

	RECOMMENDED MAXIMUM LENGTH	
	Exhaust Hood Types	
	Recommended	Use only for short run installations
No. of 90° Elbows	Rigid Metal	Rigid Metal
0	200 Feet (61 m)	175 Feet (53.3 m)
1	185 Feet (56.4 m)	165 Feet (50.3 m)
2	175 Feet (53.3 m)	155 Feet (47.2 m)
3	165 Feet (50.3 m)	145 Feet (44.2 m)
4	155 Feet (47.2 m)	135 Feet (41.1 m)
5	145 Feet (44.2 m)	125 Feet (38.1 m)

Installation Instructions

EXHAUSTING THE DRYER (cont.)

EXHAUST SYSTEM CHECKLIST

HOOD OR WALL CAP

- Terminate in a manner to prevent back drafts or entry of birds or other wildlife.
- Termination should present minimal resistance to the exhaust airflow and should require little or no maintenance to prevent clogging.
- Wall caps must be installed at least 12" (30.5 cm) above ground level or any other obstruction with the opening pointed down.

SEPARATION OF TURNS

- For best performance, separate all turns by at least 4 ft. (1.2 m) of straight duct, including distance between last turn and dampened exhaust hood (wall cap).

SEALING OF JOINTS

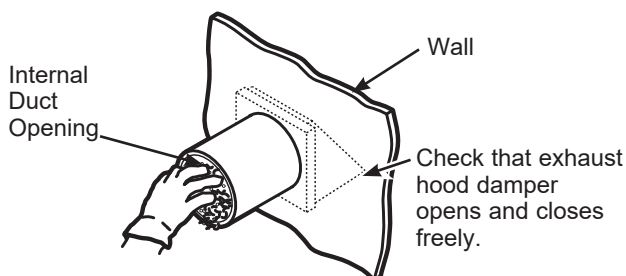
- All joints should be tight to avoid leaks. The male end of each section of duct must point away from the dryer.
- Duct joints should be made air- and moisture-tight by wrapping the overlapped joints with aluminum foil tape.
- Do not assemble ductwork with any fasteners that extend into the duct. These fasteners can accumulate lint, creating a potential fire hazard.
- Horizontal runs should slope down towards the outdoors 1/4" (6.4 mm) per foot.
- Provide an access for inspection and cleaning of the exhaust system, especially at turns and joints. Exhaust system shall be inspected and cleaned at least once a year.

INSULATION

- Ductwork that runs through an unheated area or is near air conditioning should be insulated to reduce condensation and lint build-up.

BEFORE YOU BEGIN

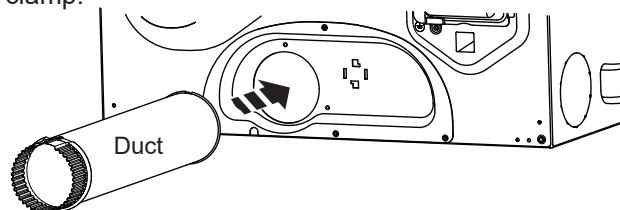
- Remove and discard existing plastic or metal foil duct and replace with UL-listed duct.
- Remove any lint from the wall exhaust opening.



STANDARD REAR EXHAUST

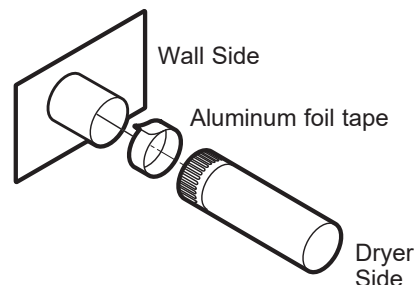
We recommend that you install your dryer before installing your washer. This will permit direct access for easier exhaust connection.

Slide the end of the exhaust duct on the back of the dryer and secure with aluminum foil tape or a hose clamp.



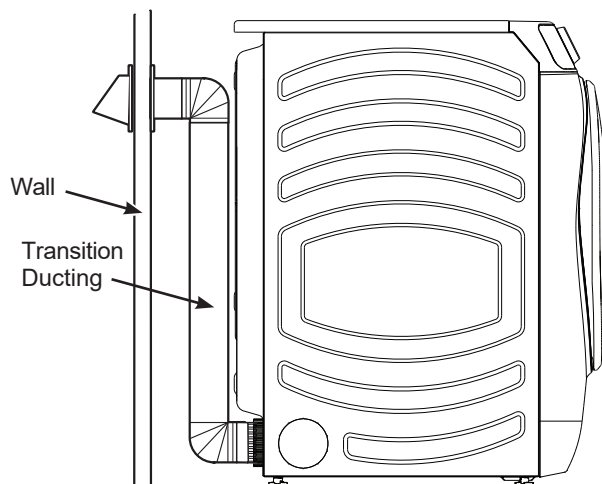
NOTE: We strongly recommend using rigid metal exhaust duct. However, if flexible ducting is used it must be UL-Listed metal, not plastic.

- For straight line installation, connect the dryer exhaust to the external exhaust hood using aluminum foil tape or clamp.



RECOMMENDED CONFIGURATION TO MINIMIZE EXHAUST BLOCKAGE

Using duct elbows will prevent duct kinking and collapsing.



Installation Instructions

EXHAUSTING THE DRYER (cont.)

SIDE VENTING

⚠ WARNING - Fire Hazard

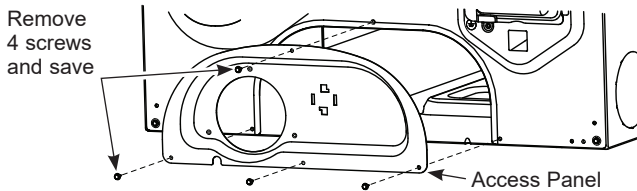
Disconnect dryer from electrical supply.

Wear gloves and arm guards.

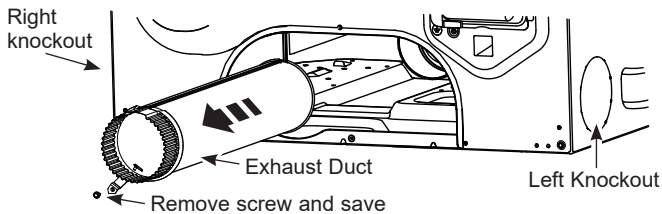
Close the back opening with the access panel included in kit GFA28DSVN.

Failure to do so may result in fire, electrical shock or lacerations.

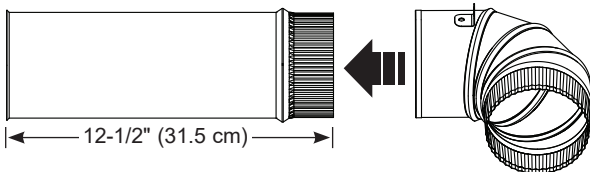
- Remove the 4 screws that secure the access panel and save. Remove the access panel.



- Detach and remove the right or left side knockout as desired. Remove the screw that secures the dryer exhaust duct and save. Pull the exhaust duct out of the dryer.

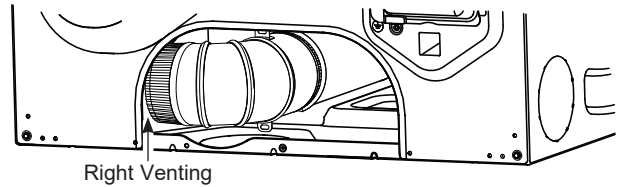
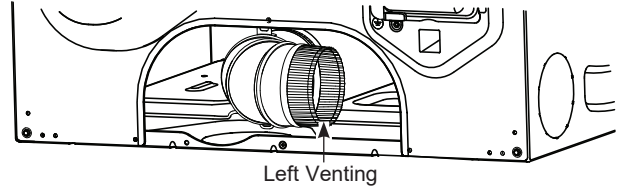


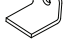
- Locate the 12-1/2" (31.5 cm) exhaust duct and elbow duct from the kit and assemble together. Apply aluminum foil tape around the joint to eliminate leaks between ducts.

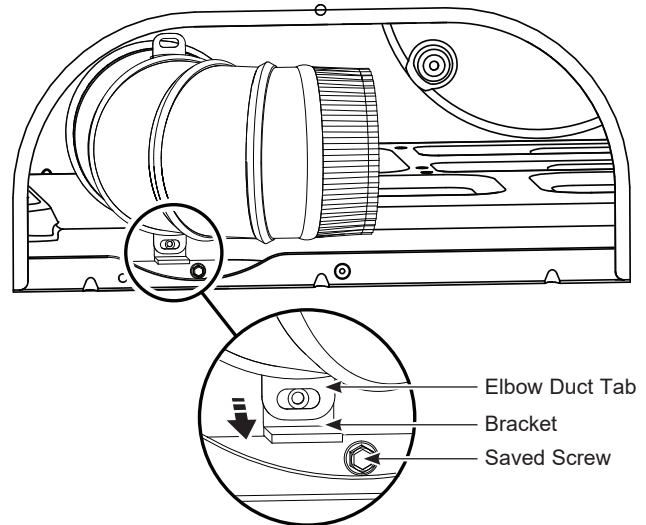


SIDE VENTING (cont.)

- Insert and connect the elbow/exhaust duct assembly to the blower housing and orient the elbow for either left or right venting.



- Locate the bracket from the kit. 
- Remove the adhesive liner from the bottom of the bracket and position it behind the elbow duct tab.
- Press down firmly to secure the bracket to the bottom of the dryer.



- Using one of the screws from earlier, secure the elbow duct tab to the bracket.

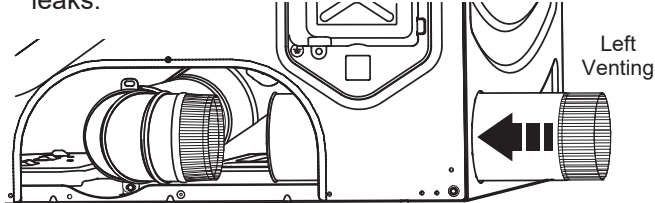
Installation Instructions

EXHAUSTING THE DRYER (cont.)

SIDE VENTING (cont.)

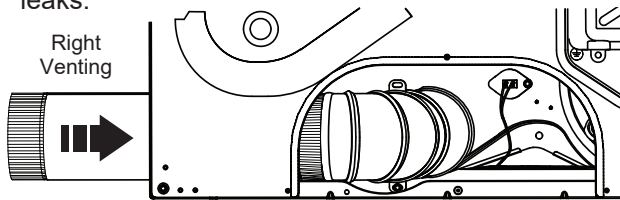
For LEFT venting:

- Locate the 15-1/2" (39.4 cm) exhaust duct from the kit.
- Insert exhaust duct through knockout opening on the **LEFT** side of dryer.
- Assemble exhaust duct to elbow duct.
- Wrap the joint with aluminum foil tape to avoid air leaks.

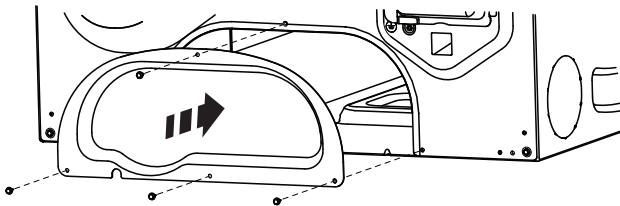


For RIGHT venting:

- Locate the 9-1/2" (24.2 cm) exhaust duct from the kit.
- Insert exhaust duct through knockout opening on the **RIGHT** side of dryer.
- Assemble exhaust duct to elbow duct.
- Wrap the joint with aluminum foil tape to avoid air leaks.



- Install the new access panel from the kit.
- Secure access panel with 4 screws saved from earlier.



NEVER LEAVE THE BACK OPENING WITHOUT THE ACCESS PANEL.

BOTTOM VENTING

Dryer Exhaust to the bottom of cabinet for Gas and Electric models **WITHOUT Built-In Pedestal™**.

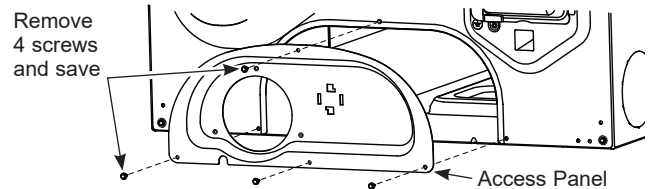
⚠ WARNING - Fire Hazard

Disconnect dryer from electrical supply.
Wear gloves and arm guards.

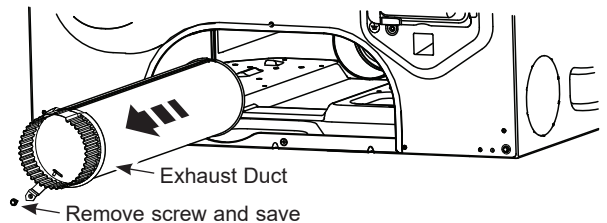
Close the back opening with the access panel included in kit GFA28DSVN.

Failure to do so may result in fire, electrical shock or lacerations.

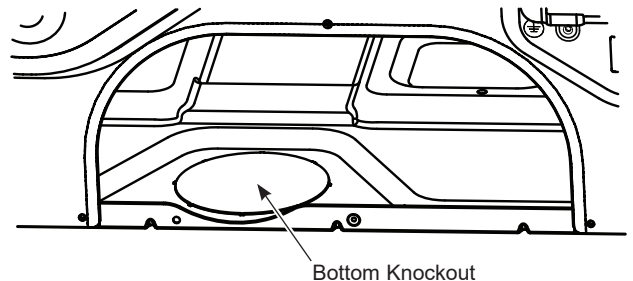
- Remove the 4 screws that secure the access panel and save. Remove the access panel.



- Remove the screw that secures the dryer exhaust duct and save. Pull the exhaust duct out of the dryer.



- Detach and remove the bottom knockout.

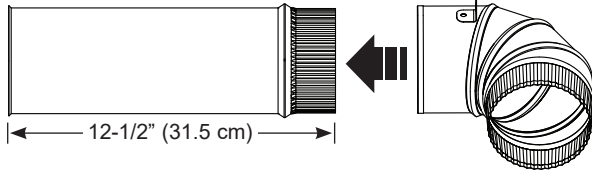


Installation Instructions

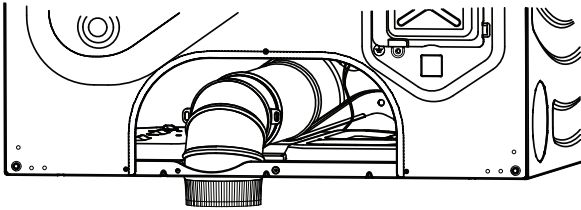
EXHAUSTING THE DRYER (cont.)

BOTTOM VENTING (cont.)

- Locate the 12-1/2" (31.5 cm) exhaust duct and elbow duct from the kit and assemble together. Apply aluminum foil tape around the joint to eliminate leaks between ducts.

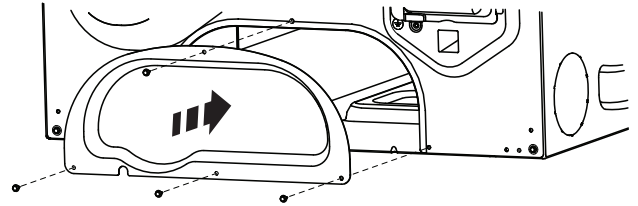


- Insert and connect the elbow/exhaust duct assembly to the blower housing and insert the elbow through the bottom knockout.



BOTTOM VENTING (cont.)

- Install the new access panel from the kit.
- Secure access panel with 4 screws saved from earlier.



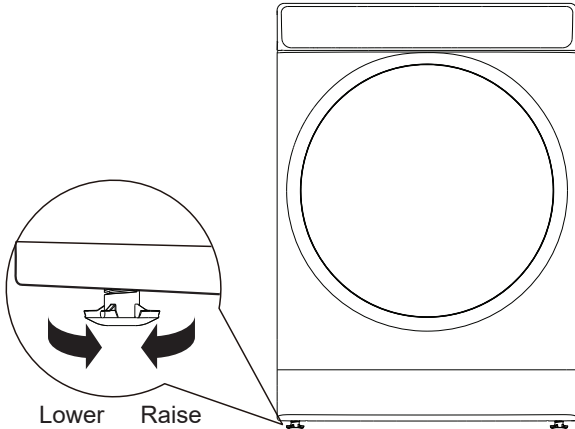
NEVER LEAVE THE BACK OPENING WITHOUT THE ACCESS PANEL.

Installation Instructions

FINAL SETUP

1 LEVEL THE DRYER

Stand the dryer upright near the final location and adjust the four leveling legs at the corners to ensure that the dryer is level from side to side and front to rear.



3 DRYER START-UP

Press the **Power** pad.

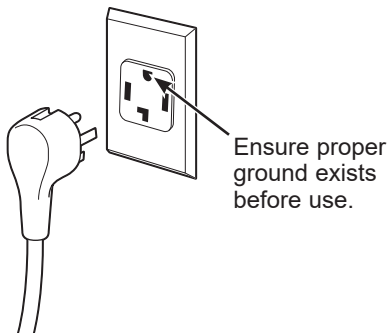


NOTE: If the dryer has been exposed to temperatures below freezing for an extended period of time, allow it to warm up before pressing **Power**. Otherwise, the display will not come on.

The dryer is now ready for use.

2 PLUG DRYER IN

NOTE: Stacking installations may require a power cord up to 6 feet (1.8 m) in length.



⚠ WARNING - Electrical Shock Hazard

Disconnect power supply before servicing.
Replace all parts and panels before operating.
Failure to do so can result in death or electrical shock.

⚠ WARNING - Shock Hazard

Certain internal parts are intentionally not grounded and may present a risk of electric shock only during servicing.

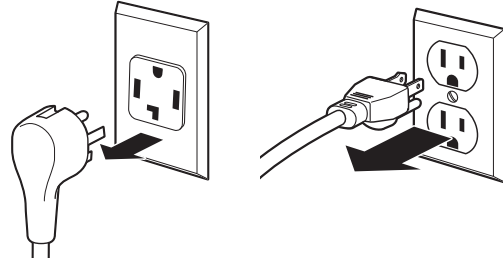
Service personnel – DO NOT contact the following parts while the appliance is energized: water valve, door switch, electronic board, igniter, thermostats, flame detector.

Installation Instructions

REVERSING THE DOOR SWING (Optional)

BEFORE YOU START

Unplug the dryer from its electrical outlet.



TOOLS YOU WILL NEED

☐ Phillips-head screwdriver

☐ T-25 torx driver

☐ 1/4" (6.4 mm) nut driver

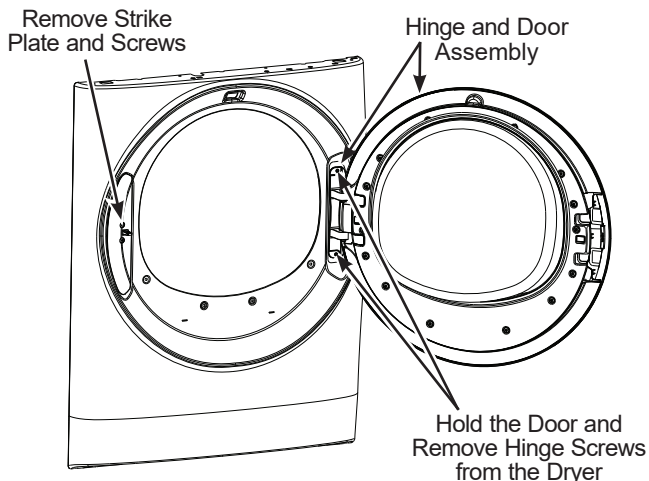


IMPORTANT NOTES

- Handle parts carefully to avoid scratching paint.
- Provide a non-scratching work surface for the door.
- Set screws down by their related parts to avoid using them in the wrong places.
- Once you begin, do not move the cabinet until door-swing reversal is completed.
- These instructions are for changing the hinges from the right side to the left side—if you ever want to switch them back to the right side, follow these same instructions and reverse all references to the left and right.

1 REMOVE THE STRIKE PLATE AND DOOR ASSEMBLY

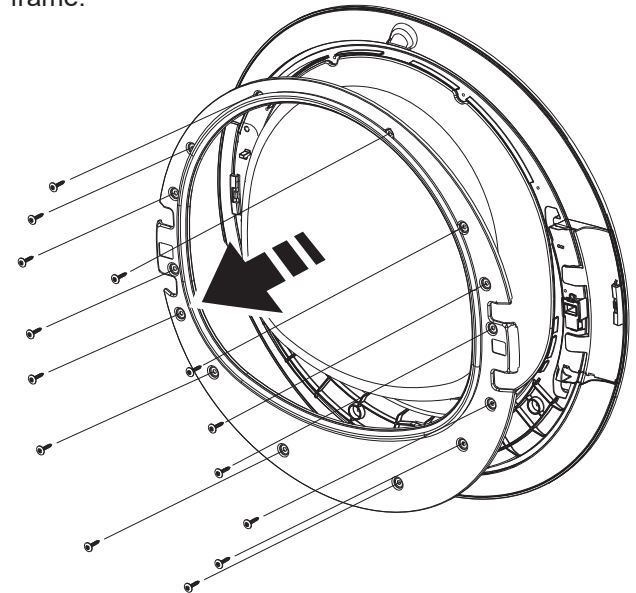
- Open the dryer door.
- Remove the two screws from the strike plate using a T-25 torx driver.
- Remove the strike plate and set it aside.
- While supporting the door, remove the two screws from the hinge in the dryer face using a 1/4" (6.4 mm) nut driver.
- Lift the door assembly to remove it from the dryer face and set it aside on a protective surface.



2 REMOVE THE INNER DOOR

- Remove the 14 screws from the inner door frame using a Phillips-head screwdriver and set them aside.
- Remove the inner door frame from the outer door.

NOTE: Do not remove the gasket from the inner door frame.

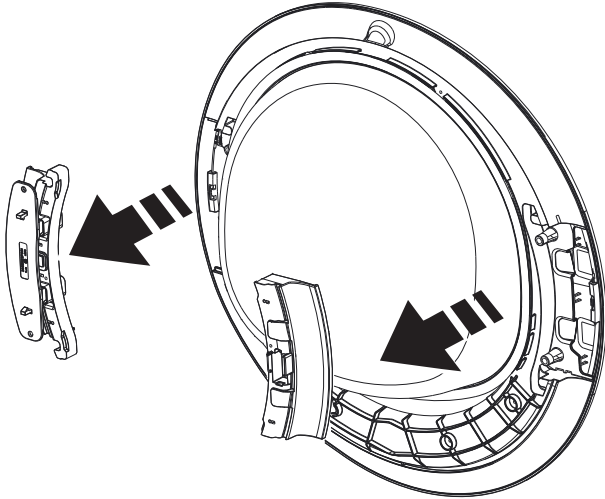


Installation Instructions

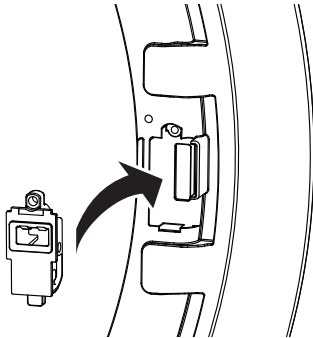
REVERSING THE DOOR SWING (Optional)

3 REMOVE, ROTATE AND REPLACE THE HANDLE AND HINGE INTO THE OPPOSITE SIDES

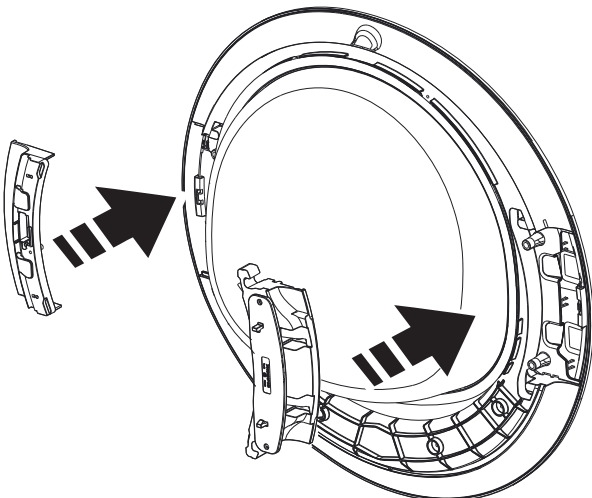
- Lift the handle and the hinge out of the door pockets.



NOTE: Make sure the latch remains seated inside the handle. If it moves or falls out, seat it back into place.



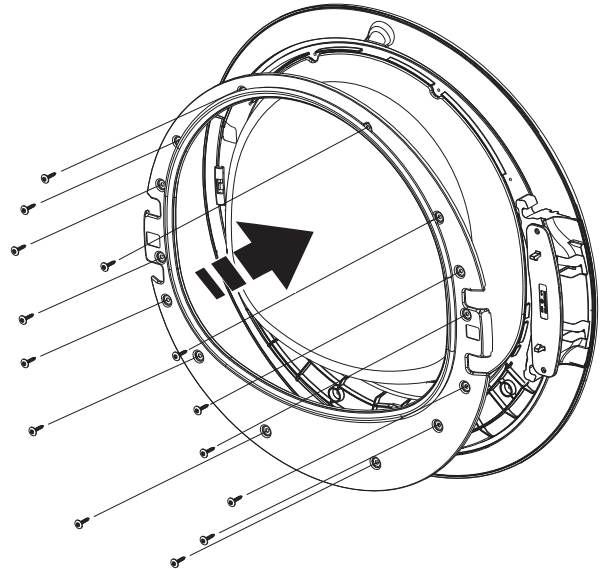
- Rotate the handle and hinge, and replace them back into the pockets on the opposite sides.



4 REPLACE THE INNER DOOR

- Replace the inner door frame into the outer door.
- Replace the 14 screws into the inner door, using a Phillips-head screwdriver, securing it to the outer door.

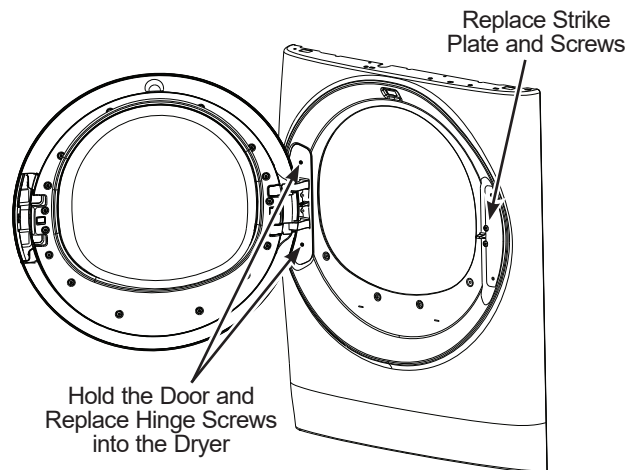
NOTE: Make sure the gasket is properly seated on the inner door frame when replaced.



5 REPLACE THE STRIKE PLATE AND DOOR ASSEMBLY

- On the opposite side from where removed, replace the strike plate with its two screws using a T-25 torx driver.
- Lift the door assembly into place and secure it onto the dryer face with its two screws using a 1/4" (6.4 mm) nut driver.
- Close the dryer door.

NOTE: Make sure the door opens and closes correctly. If not, repeat all steps making sure the gasket, all parts, and screws are securely seated.



Installation Instructions

STACKING THE WASHER AND DRYER (if desired)

If you are planning to stack the washer and dryer, order Stacking Kit **GFA28KITN** to be used for this dryer. Kit sold separately.

If you have any questions, call GE Appliances at 800.432.2737 or visit our Website at: GEAppliances.com
In Canada, call 800.561.3344 or visit www.GEAppliances.ca

BEFORE YOU BEGIN

Read these instructions completely and carefully.

- **IMPORTANT** – Save these instructions for local electrical inspector's use.
- **IMPORTANT** – Observe all governing codes and ordinances.
- **Note to Installer** – Be sure to leave these instructions with the Consumer.
- **Note to Consumer** – Keep these instructions for future reference.
- Installation **must** be performed by a qualified installer.
- Proper installation is the responsibility of the installer.

Stack dryer only on washer. Do not stack washer on dryer, washer on washer or dryer on dryer.

Do not modify this installation kit. Any modification will void the product Warranty.

⚠ WARNING Disconnect power before installing. Failure to do so could result in serious injury or death.

⚠ WARNING  - Excessive Weight Hazard

- Use two or more people to install dryer.
 - Avoid tipping and rupture of utility services.
 - Dryer must be securely attached to the washer.
 - **DO NOT** place the washer on top of the dryer.
- Failure to do so may result in serious injury, death, or property damage.

Mobile Home or Manufactured Home Installation – Stacking of a gas dryer is not permitted in a mobile home or manufactured home.

INSTALLATION PREPARATION

Remove the packaging.

Flatten the product carton to use as a pad to lay the dryer down on its back or side. Continue using the carton to protect the finished floor in front of the installation location.

REQUIREMENTS FOR ALCOVE OR CLOSET INSTALLATION

⚠ WARNING  - Explosion Hazard

Keep flammable materials and vapors, such as gasoline, away from dryer.

Place dryer at least 18" (46 cm) above the floor for a garage installation.

Failure to do so can result in death, explosion, or fire.

- The dryer **MUST** be vented to the outdoors.
- Minimum clearance between dryer cabinet and adjacent walls or other surfaces is:
 - 0" (0 cm) either side*
 - 0" (0 cm) front
 - 0" (0 cm) rear
 - 0" (0 cm) top
- The rear of the dryer should face a wall.
- Consideration must be given to provide adequate clearance for installation and service.
- Closet doors must be louvered or otherwise ventilated and have at least 60 square inches (387 cm²) of open area. If the closet contains both a washer and a dryer, doors must contain a minimum of 120 square inches (774 cm²) of open area.

NOTE: WHEN THE EXHAUST DUCT IS LOCATED AT THE REAR OF THE DRYER, THE CONFIGURATION OF THE DUCTING MAY REQUIRE GREATER CLEARANCE.

Gas Dryers Only:

- No other fuel burning appliance shall be installed in the same closet as a gas dryer.
- The dryer must be disconnected from the gas supply piping during pressure testing at pressures greater than 1/2 psi (3.5 kPa).
- A 1/8" (3.2 mm) NPT minimum plugged tapping, accessible for test gauge connection, must be installed immediately upstream of the gas supply connection to the dryer.

MINIMUM CLEARANCE OTHER THAN ALCOVE OR CLOSET INSTALLATION

Minimum clearance to combustible surfaces and for air opening are: 0" (0 cm) both sides*, 0" (0 cm) rear and 0" (0 cm) top.

The rear of the dryer should face a wall.


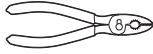



Consideration must be given to provide adequate clearance for installation and service.

*For improved performance, a 1/2" (12.7 mm) clearance is suggested on either side.

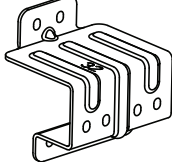
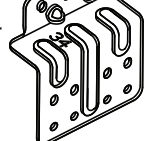


Installation Instructions

STACKING THE WASHER AND DRYER (Optional Kit GFA28KITN)

TOOLS YOU WILL NEED

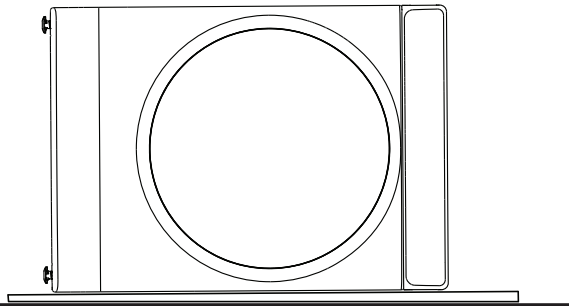
- Phillips screwdriver 
- Pliers 
- Open-ended wrench 
- Gloves 
- Level 

CONTENTS

- Bracket 32 (2) 
- Bracket 34 (2) 
- Spacer (2) 
- #8 1/2" (12.7 mm) Screws (16) 

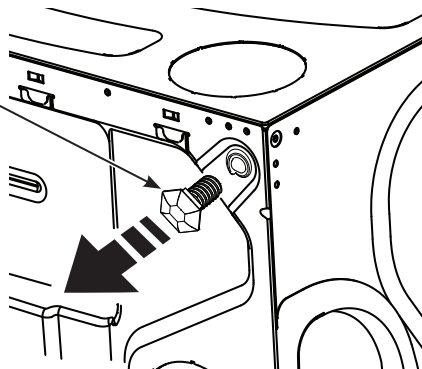
1 REMOVE THE DRYER LEVELING LEGS

A. Carefully lay the dryer on its back or side. Use the packing material so you don't scratch the finish on the dryer.



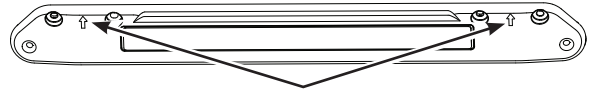
B. Use an open-end wrench or pliers to remove the dryer leveling legs. **NOTE:** Retain the leveling legs for future use.

Back out and remove all 4 leveling legs



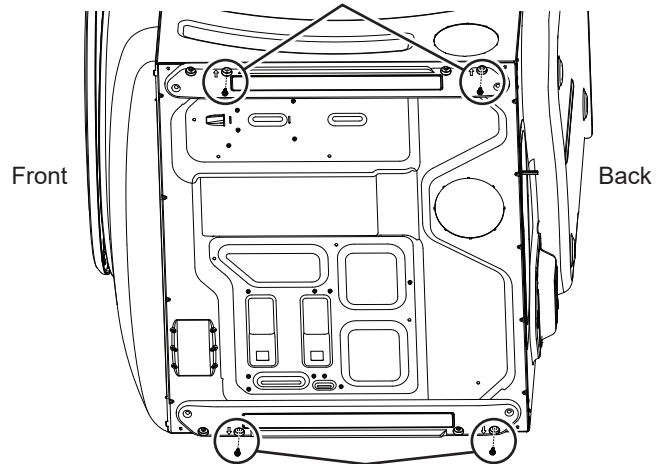
2 INSTALL SPACERS TO THE DRYER BOTTOM

Locate a spacer on the bottom side with its holes over the leveling leg holes. Attach spacer using 2 screws. Attach the second spacer on the other bottom side using 2 screws. **NOTE:** The arrows on the spacers should point to the outside.



Make sure the arrows on the spacer point to the outside.

Attach spacer using 2 screws



Attach spacer using 2 screws

Make sure the arrows on the spacer point to the outside.



Installation Instructions

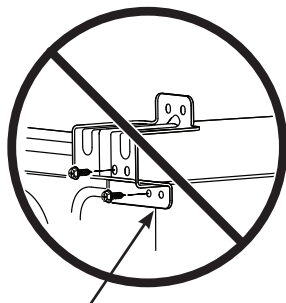
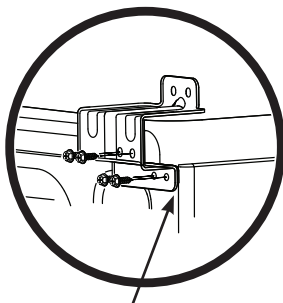
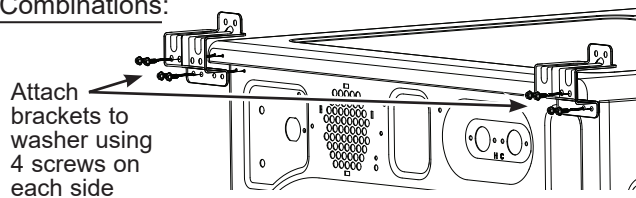
STACKING THE WASHER AND DRYER (Optional Kit GFA28KITN)

3 INSTALL THE APPROPRIATE BRACKETS TO THE WASHER

Washer Depth	Dryer Depth	Bracket Number
32" (81.3 cm)	32" (81.3 cm)	32
34" (86.4 cm)	32" (81.3 cm)	34

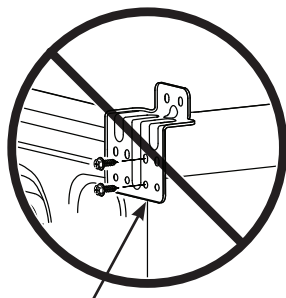
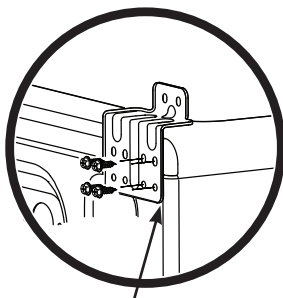
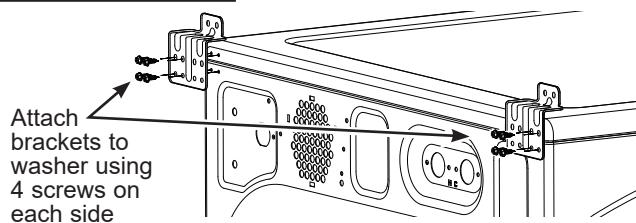
Select the appropriate brackets for your model sizes. Using the outside holes in the bracket, attach it to the top left corner of the washer back using 4 screws. Repeat on the top right corner of the washer back.

N° 32 Brackets for 32" (81.3 cm) Washer & Dryer Combinations:



OR

N° 34 Brackets for 34" (86.4 cm) Washer & 32" (81.3 cm) Dryer Combinations:



4 PREPARE THE WASHER AND DRYER

- A. Place the washer in the approximate final installation location.
- B. Make sure the washer is level. Refer to the washer Installation Instructions for details.
- C. Upright the dryer.
- D. Reverse the washer and dryer door swings, if desired, before stacking the dryer on the washer. See the washer and dryer Installation Instructions for details.

Installation Instructions

STACKING THE WASHER AND DRYER (Optional Kit GFA28KITN)

5 INSTALL THE DRYER AND THE BRACKET ON THE WASHER

⚠ WARNING - Excessive Weight Hazard

- Use two or more people to install dryer.
 - Avoid tipping and rupture of utility services.
 - Dryer must be securely attached to the washer.
 - **DO NOT** place the washer on top of the dryer.
- Failure to do so may result in serious injury, death, or property damage.

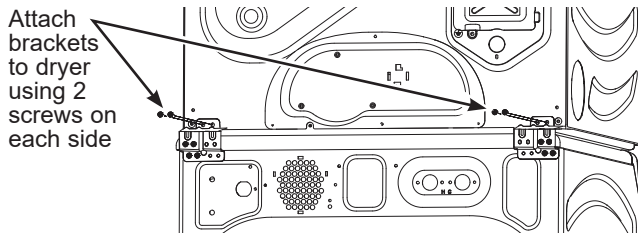
A. Lift the dryer onto the top of the washer.

Be sure to lift the dryer high enough to clear the washer control panel.

Be careful not to scratch the top of the washer with the spacers. Protect the washer control panel with cardboard or other protection.

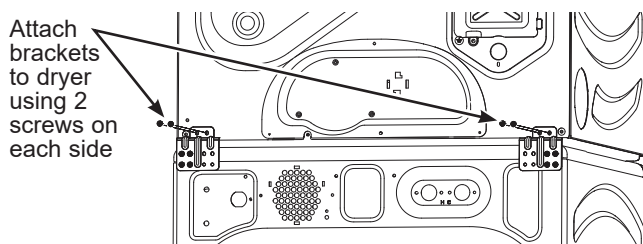
B. Align the holes in the back of the dryer with the holes in the bracket sticking up from the washer. Attach both brackets to the dryer with 2 screws on each side.

N° 32 Brackets for 32" (81.3 cm) Washer & Dryer Combinations:



OR

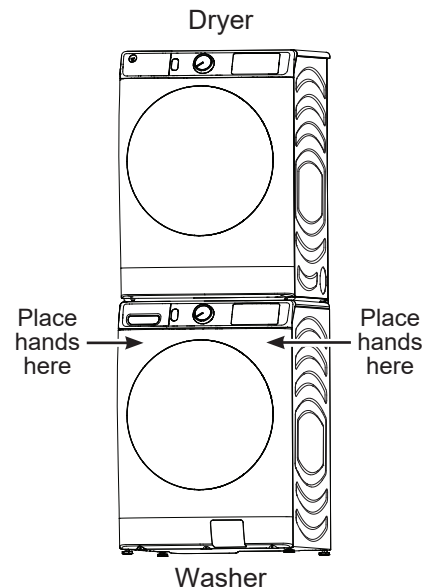
N° 34 Brackets for 34" (86.4 cm) Washer & 32" (81.3 cm) Dryer Combinations:



6 FINALIZE THE INSTALLATION

⚠ CAUTION Do not push on the dryer once installed to top of the washer. Pushing on the dryer may result in pinched fingers.

- Refer to the washer Installation Instructions to complete the washer installation.
- Refer to the dryer Installation Instructions to complete the dryer installation.
- Carefully slide or walk the stacked washer and dryer into place. Use felt pads or other sliding device to assist moving and to protect flooring.
- Verify the units are level. Make adjustments to the washer feet if necessary to level. It is always best to set the washer feet to the minimum height necessary to level the washer and dryer properly.



Troubleshooting Tips... Before you call for service

Problem	Possible Cause	What To Do
Dryer shakes or makes noise	Some shaking/noise is normal. Dryer may be sitting unevenly.	Move dryer to an even floor space, or adjust leveling legs as necessary until even.
Clothes take too long to dry	Improper or obstructed ducting	Check the Installation Instructions to make sure the dryer venting is correct. Make sure ducting is clean, free of kinks and unobstructed. Check to see if outside wall damper operates easily.
	Improper sorting	Separate heavy items from lightweight items (generally, a well-sorted washer load is a well-sorted dryer load).
	Large loads of heavy fabrics (like beach towels)	Large, heavy fabrics contain more moisture and take longer to dry. Separate large, heavy fabrics into smaller loads to speed drying time.
	Controls improperly set	Match control settings to the load you are drying.
	Lint filter is full	Clean lint filter before every load.
	Blown fuses or tripped circuit breaker	Replace fuses or reset circuit breakers. NOTE: Some electric dryers use 2 fuses/breakers, make sure both are operating.
	Overloading/combining loads	Do not put more than one washer load in the dryer at a time.
	Underloading	If you are drying only one or two items, add a few items to ensure proper tumbling.
	ecoDry is enabled	The ecoDry feature is designed to operate your dryer in the most energy efficient mode, which is not always the fastest mode. In some instances, dry times may be extended to reduce overall energy usage for the cycle.
The Dry dryness level was chosen but load is still damp	Load consists of a mixture of heavy and light fabrics	When combining heavy and light fabrics in a load, choose More Dry .
	Exhaust system is blocked	Inspect and clean exhaust system.
Dryer doesn't start	Control panel is "asleep"	This is normal. Press Power to activate the control panel.
	Dryer is unplugged	Make sure the dryer plug is pushed completely into the outlet.
	Fuse is blown/circuit breaker is tripped	Check the building's fuse/circuit breaker box and replace fuse or reset breaker. NOTE: Some electric dryers use two fuses/breakers, make sure both are operating.
	Dryer was accidentally paused when starting Delay Dry	If the light on the Start/Pause pad is flashing, the dryer is paused. Press Start/Pause to restart the countdown.
No numbers displayed during cycle, only lights	Dryer is continuously monitoring the amount of moisture in the clothes	This is normal. When the dryer senses a low level of moisture in the load, the dryer will display the dry time remaining.
Time Remaining jumped to a lower number	The estimated time may change when a smaller load than usual is drying	This is normal.
Cannot make a selection and the dryer beeps twice	The dryness Level, Temp or option that you are trying to select is incompatible with the chosen dry cycle	This is normal.
Dryer is running but 00 is displayed in Time Remaining	The Wrinkle Care option was chosen	This is normal. During extended tumbling, the time remaining is not displayed. The extended tumbling option lasts approximately 60 minutes.
"Check Vent" light is on	Lint filter is full	Clean lint filter, dry a load on an automatic cycle and verify that light turns off.
	Improper or obstructed ducting	Check the Installation Instructions to make sure the dryer venting is correct. Make sure ducting is clean, free of kinks and unobstructed. Check to see if outside wall damper operates easily. Dry a load on an automatic cycle and verify that light turns off.
	Exhaust system is blocked	Inspect and clean the exhaust system. Dry a load on an automatic cycle and verify that light turns off.

Troubleshooting Tips... Before you call for service

Problem	Possible Causes	What To Do
Dryer doesn't heat	Fuse is blown/circuit breaker is tripped; the dryer may tumble but not heat	Check the building's fuse/circuit breaker box and replace both fuses or reset both breakers. Your dryer may tumble if only one fuse is blown or one breaker tripped. NOTE: Some electric dryers use 2 fuses/breakers, make sure both are operating.
	Gas service is off (gas models only)	Make sure gas shutoff at dryer and main shutoff are fully open.
	LP gas supply tank is empty or there has been a utility interruption of natural gas (gas models only)	Refill or replace tank. Dryer should heat when utility service is restored.
	No heat temperature selected	Select another heat setting
Inconsistent drying times	Type of heat	Drying time will vary according to the type of heat used. If you recently changed from an electric to a gas (natural or LP) dryer, or vice versa, the drying time could be different.
	Type of load and drying conditions	The load size, types of fabric, wetness of clothes and the length and condition of the exhaust system will affect drying times.
Clothes are still wet and dryer shut off after a short time	The door was opened mid-cycle. The load was then removed from the dryer and a new load put in without selecting a new cycle	A dry cycle must be re-selected each time a new load is put in.
	Small load	When drying 3 items or less, choose QUICK DRY or TIMED DRY .
	Load was already dry except for collars and waistbands	Choose QUICK DRY or TIMED DRY to dry damp collars and waistbands. In the future, when drying a load with collars and waistbands, choose More Dry .
	Dryer is not level	Move dryer to an even floor space or adjust leveling legs as necessary until even.
Clothes are wrinkled	Overdrying	Select a shorter drying time. Remove items while they still hold a slight amount of moisture. Select a Less Dry or Damp setting.
	Letting items sit in dryer after cycle ends	Remove items when cycle ends and fold or hang immediately, or use the Wrinkle Care option.
	Overloading	Separate large loads into smaller ones.
Clothes shrink	Some fabrics will naturally shrink when washed. Others can be safely washed, but will shrink in the dryer.	To avoid shrinkage, follow garment care labels exactly. Some items may be pressed back into shape after drying. If you are concerned about shrinkage in a particular item, do not machine wash or tumble dry it.
Greasy spots on clothes	Improper use of fabric softener	Follow directions on fabric softener package.
	Drying dirty items with clean ones	Use your dryer to dry only clean items. Dirty items can stain clean items and the dryer.
	Clothes were not completely clean	Sometimes stains which cannot be seen when the clothes are wet appear after drying. Use proper washing procedures before drying.
Lint on clothes	Lint filter is full	Clean lint screen before each load.
	Improper sorting	Sort lint producers (like chenille) from lint collectors (like corduroy).
	Static electricity can attract lint	See suggestions in this section under Static occurs .
	Overloading	Separate large loads into smaller ones.
	Paper, tissue, etc., left in pockets	Empty all pockets before laundering clothes.

Troubleshooting Tips... Before you call for service

Problem	Possible Causes	What To Do
Static occurs	No fabric softener was used	Try a fabric softener. Bounce® Fabric Conditioner Dryer Sheets have been approved for use in all GE Appliances dryers when used in accordance with the manufacturer's instructions.
	Overdrying	Try a fabric softener. Adjust setting to Less Dry or Damp .
	Synthetics, permanent press and blends can cause static	Try a fabric softener.
Collars and waistbands still wet at end of cycle	The dryness monitor senses that the body of the clothes is dry	Choose QUICK DRY or TIMED DRY to dry damp collars and waistbands. In the future, when drying a load with collars and waistbands, choose More Dry .
Slight variation in metallic color	This is normal	Due to the metallic properties of paint used for this unique product, slight variations of color may occur due to viewing angles and lighting conditions.
Dryer continues to tumble after display says Complete	Wrinkle Care was selected	Ensure Wrinkle Care option is not selected. For the Steam Refresh cycle, Wrinkle Care will automatically be turned on and cannot be turned off.
Door is too foggy to see clothes during a steam cycle	Steam condenses on inner door	This is normal.
Water seen on inside of door and top of lint filter when opening door after steam cycle	Steam condenses on these surfaces	This is normal.
Small areas on clothes are damp after steam cycle	Steam condenses on inner drum	If using the STEAM Dewrinkle cycle, manually reduce the cycle time. If using the STEAM Refresh cycle, add more garments to the load.
Small amount of water on floor in front of dryer	Inadequate load size for steam cycle selected, excess steam condenses inside cabinet and leaks out	If using the STEAM Dewrinkle cycle, manually reduce the cycle time. If using the STEAM Refresh cycle, add more garments to the load.
Water on floor in back of dryer	Loose water hose connection	Tighten connection.
	Hose missing rubber washer at connection with valve	Install rubber washer provided with hose.
Water drips from door when opened after a Steam Cycle	Steam condenses on inner door	This is normal.
Cannot see steam at beginning of cycle	Steam released at different times in the cycle	This is normal.
Cannot see steam during cycle	The steam nozzle might be clogged with debris from your water supply	Call GE Appliances at 877.959.8688 to order nozzle replacement kit WE25M71 or to request a technician to replace this for you.
Garments still wrinkled after steam cycle	Too many garments	Load fewer garments; manually increase time.
	Lint filter not clean	Clean lint filter
	Load is children/infant garments	Use the Steam Refresh cycle

GE Appliances Dryer Limited Warranty

LIMITED WARRANTY

GEAppliances.com

All warranty service is provided by our Factory Service Centers, or an authorized Customer Care® technician. To schedule service online, visit us at GEAppliances.com/service, or call GE Appliances at 800.GE.CARES (800.432.2737). Please have your serial number and your model number available when calling for service.

Servicing your appliance may require the use of the onboard data port for diagnostics. This gives a GE Appliances factory service technician the ability to quickly diagnose any issues with your appliance and helps GE Appliances improve its products by providing GE Appliances with information on your appliance. If you do not want your appliance data to be sent to GE Appliances, please advise your technician not to submit the data to GE Appliances at the time of service.

For the period of:	We will replace:
One year From the date of the original purchase	Any part of the dryer which fails due to a defect in materials or workmanship. During this limited one-year warranty , we will also provide, free of charge , all labor and related service to replace the defective part.

What is not covered:

- Service trips to your home to teach you how to use the product.
- Improper installation, delivery or maintenance.
- Failure of the product if it is abused, misused, or used for other than the intended purpose or used commercially.
- Replacement of house fuses or resetting of circuit breakers.
- Products which are not defective or broken, or which are working as described in the Owner's Manual.
- Damage to the product caused by accident, fire, floods or acts of God.
- Incidental or consequential damage caused by possible defects with this appliance.
- Defects or damage due to operation in freezing temperatures.
- Damage caused after delivery.
- Product not accessible to provide required service.

EXCLUSION OF IMPLIED WARRANTIES

Your sole and exclusive remedy is product repair as provided in this Limited Warranty. Any implied warranties, including the implied warranties of merchantability or fitness for a particular purpose, are limited to one year or the shortest period allowed by law.

In the United States:

This limited warranty is extended to the original purchaser and any succeeding owner for products purchased for home use within the USA. If the product is located in an area where service by a GE Appliances Authorized Servicer is not available, you may be responsible for a trip charge or you may be required to bring the product to an Authorized GE Appliances Service location for service. In Alaska, the limited warranty excludes the cost of shipping or service calls to your home.

Some states do not allow the exclusion or limitation of incidental or consequential damages. This limited warranty gives you specific legal rights, and you may also have other rights which vary from state to state. To know what your legal rights are, consult your local or state consumer affairs office or your state's Attorney General.

Warrantor: GE Appliances, a Haier Company, Louisville, KY 40225

In Canada:

This limited warranty is extended to the original purchaser and any succeeding owner for products purchased in Canada for home use within Canada. If the product is located in an area where service by a GE Appliances Authorized Servicer is not available, you may be responsible for a trip charge or you may be required to bring the product to an Authorized GE Appliances Service location.

Some provinces do not allow the exclusion or limitation of incidental or consequential damages. This limited warranty gives you specific legal rights, and you may also have other rights which vary from province to province. To know what your legal rights are, consult your local or provincial consumer affairs office.

Warrantor: MC Commercial Inc., Burlington, ON, L7R 5B6

Extended Warranties: Purchase a GE Appliances extended warranty and learn about special discounts that are available while your warranty is still in effect. You can purchase it online anytime at

GEAppliances.com/extended-warranty

or call 800.626.2224 during normal business hours. GE Appliances Service will still be there after your warranty expires.

Staple your receipt here. Proof of the original purchase date is needed to obtain service under the warranty.

Consumer Support

GE Appliances Website

Have a question or need assistance with your appliance? Try the GE Appliances Website 24 hours a day, any day of the year! You can also shop for more great GE Appliances products and take advantage of all our on-line support services designed for your convenience. In the US: **GEAppliances.com**

In Canada: **GEAppliances.ca**

Register Your Appliance

Register your new appliance on-line at your convenience! Timely product registration will allow for enhanced communication and prompt service under the terms of your warranty, should the need arise. You may also mail in the pre-printed registration card included in the packing material. In the US: **GEAppliances.com/register**

In Canada: **GEAppliances.ca/after-sales-support**

Schedule Service

Expert GE Appliances repair service is only one step away from your door. Get on-line and schedule your service at your convenience any day of the year. In the US: **GEAppliances.com/service** or call 800.432.2737 during normal business hours.

In Canada: **GEAppliances.ca/after-sales-support** or call 800.561.3344.

Extended Warranties

Purchase a GE Appliances extended warranty and learn about special discounts that are available while your warranty is still in effect. You can purchase it on-line anytime. GE Appliances Services will still be there after your warranty expires. In the US: **GEAppliances.com/extended-warranty** or call 800.626.2224 during normal business hours.

In Canada: **GEAppliances.ca/purchase-extended-warranty** or call 866.277.9842.

Remote Connectivity

For assistance with wireless network connectivity (for models with remote enable), in the US visit our website at **GEAppliances.com/connect** or call 800.220.6899.

In Canada: **GEAppliances.ca/connected-appliances** or call 800.220.6899

Parts and Accessories

Individuals qualified to service their own appliances can have parts or accessories sent directly to their homes (VISA, MasterCard and Discover cards are accepted). Order on-line today 24 hours every day.

In the US: **GEApplianceparts.com** or by phone at 877.959.8688 during normal business hours.

In Canada: **GEAppliances.ca/parts-filters-accessories** or call 800.661.1616.

Instructions contained in this manual cover procedures to be performed by any user. Other servicing generally should be referred to qualified service personnel. Caution must be exercised, since improper servicing may cause unsafe operation.

Contact Us

If you are not satisfied with the service you receive from GE Appliances, contact us on our Website with all the details including your phone number, or write to:

In the US: General Manager, Customer Relations | GE Appliances, Appliance Park | Louisville, KY 40225
GEAppliances.com/contact or call 800.626.2000

In Canada: Director, Customer Relations | MC Commercial Inc. | Suite 300, 5420 North Service Road | Burlington, ON L7L 6C7
GEAppliances.ca/contact-us or call 877.994.5366



SÈCHES

CONSIGNES DE SÉCURITÉ2

UTILISATION DE LA SÈCHEUSE

Connectivité WiFi 4

Pour démarrer 4

Intelligence artificielle.....6

Cycles 7

Réglages 8

Options 9

Contrôle de la sècheuse - Appairage

Bluetooth® 11

Chargement.....12

ENTRETIEN ET NETTOYAGE...13

INSTRUCTIONS D'INSTALLATION.....14

Inversion de l'ouverture de la porte (Optionnel)32

Comment superposer la sècheuse à la laveuse (Optionnel)..... 34

CONSEILS DE DÉPANNAGE...38

GARANTIE LIMITÉE41

SERVICE À LA CLIENTÈLE 42

GUIDE DE L'UTILISATEUR ET INSTRUCTION D'INSTALLATION

PFD95
PFD87
GFD65
GFD55
GFV55

FRANÇAIS

Inscrivez ici les numéros de modèle et de série :

Modèle # _____

Série # _____

Ces informations figurent sur l'étiquette située à l'avant de la sècheuse, derrière la porte.

CONSIGNES DE SÉCURITÉ IMPORTANTES

LIRE TOUTES LES CONSIGNES AVANT D'UTILISER L'APPAREIL

▲ AVERTISSEMENT

Pour réduire le risque d'incendie, d'explosion, de choc électrique ou de blessure aux personnes utilisant cet appareil, observez des précautions élémentaires dont les suivantes :

- Lisez toutes les instructions avant d'utiliser l'appareil.
- **NE** séchez **PAS** les articles qui ont été précédemment nettoyés, lavés, trempés, ou détachés à l'aide d'essence, de solvants de nettoyage à sec ou d'autres substances inflammables ou explosives, puisqu'ils peuvent émettre des vapeurs susceptibles de s'enflammer ou d'exploser.
- **NE** placez **PAS** d'articles exposés aux huiles de cuisson dans la sècheuse. Les articles souillés par les huiles de cuisson peuvent faciliter des réactions chimiques susceptibles d'enflammer une brassée. Pour réduire le risque d'incendie en raison de charges contaminées, la dernière partie du cycle de sèche-linge se produit sans chaleur (période de refroidissement). Évitez d'arrêter une sècheuse avant la fin du cycle de séchage à moins que tous les articles soient rapidement enlevés et répartis de telle sorte que la chaleur est dissipée.
- N'autorisez **PAS** les enfants à jouer sur ou dans cet appareil. Une surveillance étroite est requise lorsque des enfants se trouvent à proximité de l'appareil en fonctionnement.
- Enlevez la porte de la sècheuse lorsque l'appareil est mis hors service ou au rebut.
- **NE** vous penchez **PAS** dans l'appareil lorsque le tambour est en rotation.
- N'installez **PAS** et ne rangez **PAS** cet appareil à un endroit exposé aux intempéries.
- **NE** modifiez **PAS** les commandes.
- **ABSTENEZ-VOUS** de grimper ou de vous tenir sur l'appareil.
- **NE** réparez **PAS** cet appareil, en totalité ou en partie, en remplacez une quelconque pièce, à moins que cela ne soit expressément recommandé dans les instructions d'entretien ou de réparation destinées à l'utilisateur dont vous avez une compréhension et une compétence suffisantes pour les appliquer.
- Suivez toutes les instructions et avertissements de soin des tissus pour éviter que les vêtements fondent ou des dommages à l'appareil.
- N'employez **PAS** de produits assouplissants NI d'agents antistatiques à moins que leur utilisation ne soit recommandée par leurs fabricants.
- **NE** sécher **PAS** des articles qui contiennent du caoutchouc mousse ou des matières à texture caoutchouteuse similaire.
- Nettoyez le filtre à charpie et nettoyez avant ou après chaque chargement.
- N'utilisez **PAS** la sècheuse sans que le filtre à charpie **ne** soit en place.
- **NE** rangez **PAS** de matières combustibles, de l'essence ni d'autres liquides inflammables à proximité de la sècheuse. Gardez la zone autour de l'ouverture d'évacuation et tout l'espace adjacent libres de charpie, de poussière et de saletés.
- L'intérieur de l'appareil et le tuyau d'évacuation doivent être nettoyés régulièrement par du personnel qualifié.
- Débranchez l'appareil ou fermez le disjoncteur avant une réparation. Le fait d'appuyer sur le bouton Power (Alimentation) ou sur le bouton **Start/Pause** (Mise en marche/pause) **NE** coupe **PAS** l'alimentation électrique.
- **NE** faites **PAS** fonctionner cet appareil s'il est endommagé, ne fonctionne pas correctement, est en partie démonté, ou encore si des pièces sont manquantes ou abîmées, y compris le cordon électrique ou sa fiche.
- **NE** vaporisez **AUCUN** type d'aérosol dans, sur ou à proximité de la sècheuse, et ce en tout temps. N'utilisez **AUCUN** type de nettoyant en vaporisateur lorsque vous nettoyez l'intérieur de la sècheuse. Cela poserait un risque de vapeurs dangereuses ou de choc électrique.
- Consultez la section « RENSEIGNEMENTS SUR LES RACCORDS ÉLECTRIQUES » des instructions d'installation pour connaître la procédure de mise à la terre.
- N'utilisez **PAS** de pièces de rechange qui n'ont pas été recommandées par le fabricant (p. ex., des pièces fabriquées à domicile à l'aide d'une imprimante 3D).

Mise au rebut adéquate de votre électroménager

- Veuillez jeter ou recycler votre électroménager conformément aux règlements fédéraux ou locaux. Communiquez avec les instances locales pour en savoir plus sur la mise au rebut ou le recyclage de votre électroménager.
- Considérez les options de recyclage des matériaux d'emballage de votre électroménager.

LIRE ET CONSERVEZ CES DIRECTIVES

CONSIGNES DE SÉCURITÉ IMPORTANTES

LIRE TOUTES LES CONSIGNES AVANT D'UTILISER L'APPAREIL

AVERTISSEMENTS SUPPLÉMENTAIRES CONCERNANT LES SÈCHEUSES À GAZ

⚠ AVERTISSEMENT  - Risque d'incendie ou d'explosion

Le non-respect strict des avertissements de sécurité pourrait entraîner des blessures graves, la mort ou des dommages matériels.

- N'entreposez PAS et n'utilisez PAS d'essence NI d'autres vapeurs ou liquides inflammables dans les alentours de cet appareil ou de tout autre.
- QUE FAIRE SI UNE ODEUR DE GAZ EST DÉTECTÉE :
 - N'allumez AUCUN appareil.
 - NE touchez à AUCUN commutateur électrique ; n'utilisez AUCUN téléphone dans votre immeuble.
 - Faites évacuer la pièce, l'immeuble ou la zone de tous ses occupants.
 - Communiquez immédiatement avec votre fournisseur de gaz au moyen du téléphone d'un voisin. Observez les directives du fournisseur de gaz.
 - Si vous ne pouvez pas joindre votre fournisseur de gaz, appelez le service d'incendie.
- L'installation, l'entretien et les réparations doivent être exécutés par un installateur agréé, un organisme de service ou le fournisseur de gaz.

LIRE ET CONSERVEZ CES DIRECTIVES

Comment démarrer

⚠ AVERTISSEMENT

Pour réduire le risque d'incendie, de choc électrique ou de blessure, lisez les CONSIGNES DE SÉCURITÉ IMPORTANTES avant de faire fonctionner cet appareil.

⚠ AVERTISSEMENT



- Risque d'incendie

- Gardez les matières et les vapeurs inflammables telles que l'essence à distance de la sècheuse.
- **NE** séchez **AUCUN** article qui a déjà reçu une matière inflammable (même après le lavage).
- Aucune laveuse ne peut éliminer l'huile totalement.
- **NE** séchez **AUCUN** article qui a déjà reçu un type d'huile quelconque (y compris les huiles de cuisson).
- Les articles qui comportent de la mousse, du caoutchouc ou du plastique doivent sécher sur une corde à linge.
- Le non-respect de ces instructions pourrait entraîner la mort, l'explosion ou l'incendie.

Les caractéristiques et l'apparence de la cuisinière montrée dans ce manuel peuvent varier selon le modèle.

WiFi Connect (Connectivité WiFi) (Clients aux États-Unis seulement)

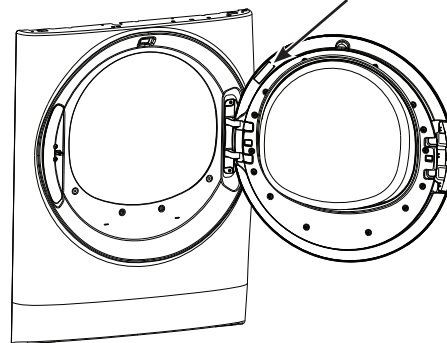
Votre sècheuse est soit dotée de la connectivité **GE Appliances WiFi Connect**.

Visitez geappliances.com/connect et entrez votre numéro de modèle pour voir les étapes de connexion se rapportant à votre électroménager.

Veillez visiter GEAppliances.com/connect pour en apprendre davantage sur les fonctions de connectivité des électroménagers et les applications compatibles avec votre téléphone intelligent.

Connectivité WiFi : Pour de l'assistance concernant l'électroménager ou la connectivité en réseau **ConnectPlus**, veuillez communiquer avec GE Appliances au **800.220.6899**.

Emplacement de l'étiquette WiFi



Démarrage rapide :

Étape 1



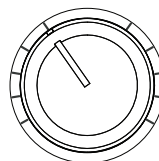
- Nettoyez le filtre
 - Chargez le linge sans le tasser.
 - Fermez la porte.
- REMARQUE :** La sècheuse ne démarre pas lorsque la porte est ouverte.

Étape 2



- Si l'écran est obscur, appuyez sur le bouton Power (alimentation) pour activer l'afficheur.

Étape 3



- Sélectionnez un cycle de séchage à détection de sécheresse. (Des réglages par défaut sont attribués à chaque cycle de séchage. Ces réglages peuvent être modifiés. Voyez les descriptions des cycles pour plus d'information.)

OU

- Sélectionnez **TIMED DRY** (Séchage minuté) et réglez Time (Prolongation), Temp (Température) et Level (Niveau de séchage).

Étape 4

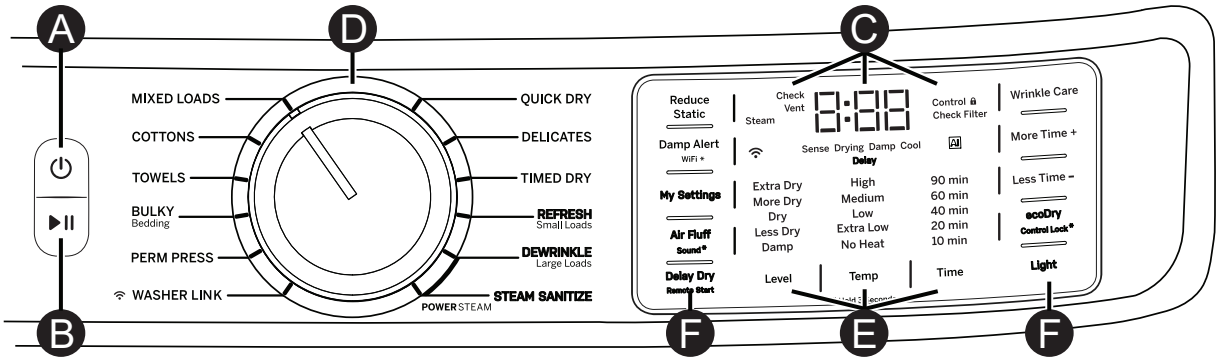


- Appuyez sur le bouton Start/ Pause (Départ/ Pause).

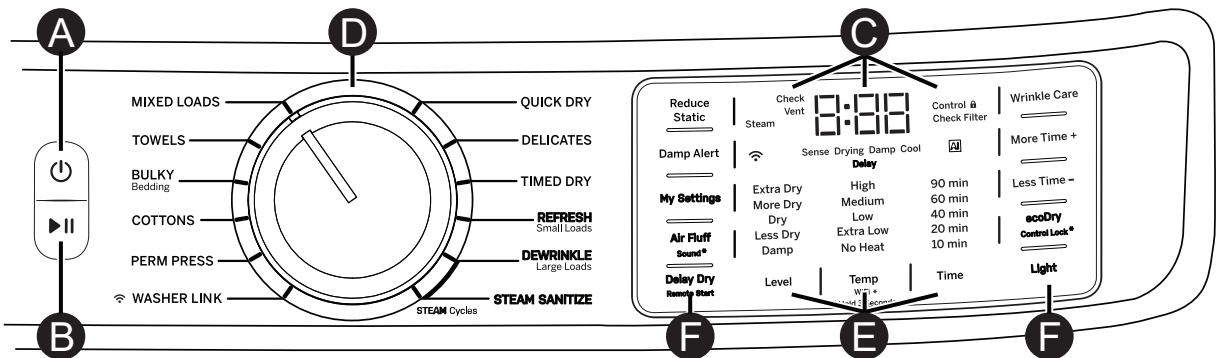
Comment démarrer

Les caractéristiques et l'apparence varieront.

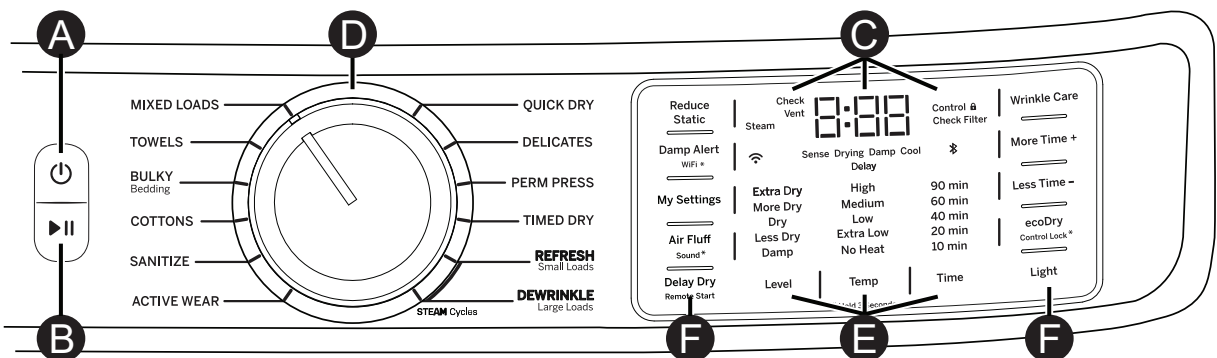
Modèle : PFD95



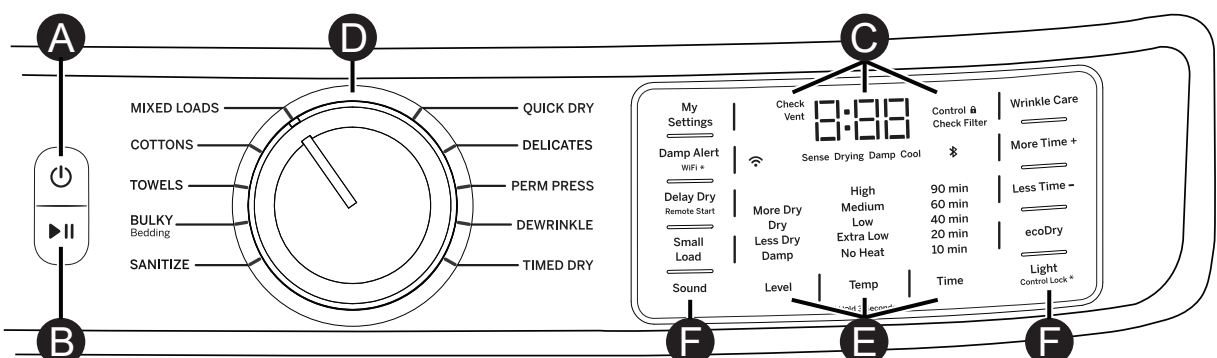
Modèle : PFD87



Modèle : GFD65



Modèles : GFD55
GFV55



Comment démarrer

A Power (alimentation)
Appuyez pour activer l'affichage. Si l'afficheur est actif, appuyez pour mettre la sècheuse en mode repos.
NOTE : Vous ne débranchez pas votre appareil de l'alimentation électrique en appuyant sur **Power (Alimentation)**.

B Départ/Pause
Appuyez sur **Start** (Mise en marche) pour démarrer le cycle. **REMARQUE :** La porte doit être fermée pour démarrer le cycle. Une autre pression sur **Start** fera pauser le cycle, le voyant de **Start** (démarrage) peut clignoter et « **Pause** » s'affiche. Pour continuer le cycle, appuyez sur **Start** de nouveau.

C Affichage et voyants d'état
L'écran affiche le temps approximatif restant avant la fin du programme. Sur certains modèles, l'état du cycle de séchage (**Sense** (Détection), **Drying** (Séchage), **Damp** (Humide) et **Cool** (Frais)) sera affiché.



Permet à votre électroménager de communiquer avec votre téléphone intelligent à des fins de surveillance et de notification.



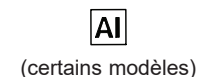
La sècheuse est verrouillée, le voyant clignotera une fois si vous appuyez sur n'importe quelle touche ou tournez le cadran des cycles.



Le voyant **Check Filter** (Vérifiez le filtre à charpie) restera allumé durant 15 secondes après la fin du cycle.



Le voyant **Check Vent** (Vérifiez le conduit d'évacuation) indique la détection d'un problème de réduction de la circulation d'air causé par un événement possiblement bloqué ou restreint. La vérification et/ou le nettoyage du système d'évents est recommandé. Voyez la rubrique « **Check Vent** » **voyant est allumé** dans la section **Conseils de dépannage**.



Votre sècheuse est dotée d'une **intelligence artificielle**. Le témoin s'allumera lorsque **Washer Link** (l'hyperlien de la laveuse) sera actif, que **My Settings** (Mes réglages) sont implémentés selon vos habitudes d'utilisation et les actions suggérées sont disponibles avec l'application **SmartHQ**.



Il s'agit d'une fonction de jumelage qui s'utilise avec une laveuse à chargement frontal GE Appliances compatible avec Bluetooth®. Pour jumeler cette sècheuse à la laveuse, veuillez suivre les étapes indiquées dans le manuel du propriétaire de la laveuse. Pour activer ou désactiver Bluetooth®, ouvrez et fermez la porte trois fois en 10 secondes quand la sècheuse est allumée sans pour autant sans qu'un cycle soit en cours.

Comment démarrer

D Cycles de séchage	Les cycles à capteur déterminent automatiquement la sécheresse des tissus. Les cycles minutés fonctionnent selon le temps sélectionné.
MIXED LOADS (Charges mixtes)	Pour les brassées constituées de cotons et de mélanges de polyester.
COTTONS (Cotons)	Pour les cotons et la plupart des articles en toile. REMARQUE : Les modèles ENERGY STAR® sont testés sur cycle COTTONS (Cotons) avec les réglages par défaut (Temp (Température) sur High (Haute), Level (Niveau de sécheresse) sur Dry (Sec) et ecoDry (séchage éconergétique) sur activé.
TOWELS (Serviettes) (certains modèles)	Pour la plupart des serviettes et des lins.
BULKY Bedding (Literie volumineuse)	Pour manteaux grand format, jetés de lit, housses à matelas, sacs de couchage, couvertures, douillettes, blousons, carpettes et autres articles volumineux.
SANITIZE (Désinfecter) (certains modèles)	Cette option réduit certains types de bactéries, y compris : Staphylococcus aureus, Pseudomonas aeruginosa et Klebsiella pneumoniae. Le processus antibactérien survient lorsqu'une chaleur élevée est utilisée pendant une partie du cycle de séchage; le refroidissement sera aussi prolongé afin de vous protéger contre les vêtements chauds. REMARQUE : N'utilisez pas ce cycle avec des tissus délicats.
WASHER LINK (certains modèles)	Lorsque cette option est sélectionnée (avec connexion à une laveuse compatible via Wi-Fi), la sècheuse reçoit des informations de la laveuse concernant la charge pour faire des recommandations sur le cycle, de séchage, de température et de temps afin d'optimiser le séchage.
ACTIVE WEAR (Vêtements Sport) (certains modèles)	Pour les vêtements de sports, d'exercice et certains vêtements décontractés. Les tissus bénéficient de finitions en nouvelle technologie et sont composés de fibres élastiques comme le Spandex. Aussi pour vêtements étiquetés Sans repassage (Easy Care) ou Infroissable (Perma Press) : Pour les articles qui ne nécessitent pas de repassage.
QUICK DRY (Séchage rapide)	Pour les petites brassées qui doivent être séchées rapidement, comme les tenues de sport ou les uniformes d'école. Ce cycle peut aussi être utilisé si le cycle précédent a laissé quelques articles encore humides, comme des cols ou des ceintures. REMARQUE : Sur certains modèles, le décompte du temps résiduel du cycle apparaîtra sur l'afficheur.
DELICATES (Delicate)	Pour les articles délicats, les tissus à entretien spécial et les tricotés.
PERM PRESS (Infroissable) (certains modèles)	Pour les vêtements infroissables, sans repassage et de sport qui nécessitent une attention spéciale au séchage.
AIR FLUFF (Air froid) (certains modèles)	Ce cycle procure une durée de culbutage sans chaleur de 10 minutes. REMARQUE : Pour les modèles avec le cycle AIR FLUFF (Air froid), sélectionnez TIMED DRY (Séchage minuté) puis sélectionnez Temp (température de séchage) à No Heat (sans chaleur).
DEWRINKLE (Défroissage) (certains modèles)	Pour faire disparaître les plis des articles qui sont secs ou légèrement mouillés. Ce cycle n'est pas recommandé pour les tissus délicats.
STEAM Dewrinkle (certains modèles)	Pour des brassées plus volumineuses que le permet l'option STEAM Refresh (Rafraîchissement à la vapeur). Idéal pour les brassées laissées dans la sècheuse durant une longue période. L'option STEAM Dewrinkle (Défroissage à la vapeur) est recommandée pour les brassées plus volumineuses (9 à 13 vêtements). REMARQUE : Les cycles avec vapeur ne sont pas destinés au séchage des serviettes. Important - La température doit être réglée à High (Haute) et l'admission d'eau doit être ouverte avant de démarrer le cycle STEAM Dewrinkle (Défroissage à la vapeur).

Comment démarrer

D Cycles de séchage	Les cycles à capteur déterminent automatiquement la sécheresse des tissus.
	Les cycles minutés fonctionnent selon le temps sélectionné.
STEAM Refresh (certains modèles)	<p>Pour vêtements secs légèrement froissés. Réduit considérablement les plis. À la fin du cycle STEAM Refresh (Rafraîchissement à la vapeur), l'appareil émet un bip (si Sound (Son) est sélectionné) et affiche « 00 ».</p> <p>L'option STEAM Refresh (Rafraîchissement à la vapeur) est recommandée pour les petites brassées (3 à 5 vêtements).</p> <p>REMARQUE : Les cycles avec vapeur ne sont pas destinés au séchage des serviettes.</p> <p>REMARQUE : Un seul article en tissu très léger peut nécessiter l'ajout d'un article supplémentaire pour le cycle STEAM Refresh (Rafraîchissement à la vapeur) afin d'obtenir les meilleurs résultats.</p> <p>Important - La température doit être réglée à High (Haute) et l'admission d'eau doit être ouverte avant de démarrer le cycle STEAM Refresh (Rafraîchissement à la vapeur).</p>
STEAM SANITIZE (certains modèles)	<p>Ce cycle désinfecte le linge et élimine les plis des brassées régulières qui sont humides suite à un lavage et/ou un rinçage. Ce cycle élimine certaines catégories de bactéries, y compris : staphylocoque doré, bacille pyocyanique et klebsiella pneumoniae. Ce traitement antibactérien se fait à chaleur élevée pendant une partie du cycle de séchage.</p> <p>REMARQUE : N'utilisez pas ce cycle pour les tissus délicats.</p> <p>Important - La température est réglée à HIGH et ne peut pas être modifiée. Il faut ouvrir l'alimentation d'eau pour que le cycle Steam Sanitize (Désinfection à la vapeur) fonctionne correctement.</p>
TIMED DRY (Séchage minuté)	<p>Cette commande permet de définir son propre temps de séchage. Pour utiliser :</p> <ol style="list-style-type: none"> 1. Tournez le cadran du cycle sur TIMED DRY (Séchage minuté). 2. Augmentez le temps de séchage en appuyant sur le bouton Time (Prolongation). <p>REMARQUE : Ce bouton ne fait qu'ajouter du temps. Une fois la durée maximale atteinte, une nouvelle pression sur le bouton remettra la minuterie à la valeur la moins élevée.</p> <ol style="list-style-type: none"> 3. Sélectionnez la température de séchage (Temp). 4. Fermez la porte. 5. Appuyez sur Start/Pause (Mise en marche/pause).
E Réglages	<p>Les réglages individuels pour le temps de prolongation (Time), le niveau de sécheresse (Level) et la température (Temp) peuvent être réglés de minimum (le plus bas dans la colonne) à maximum (le plus haut dans la colonne). En général, la hauteur du réglage dans la colonne est proportionnelle à l'augmentation d'énergie consommée.</p> <p>REMARQUE : On peut modifier le temps de prolongation du cycle sélectionné par unités de 1 minute en appuyant sur les touches More Time + (Plus de temps) ou Less Time - (Moins de temps).</p> <p>Niveau de sécheresse - Uniquement utilisé pour les cycles à détection de sécheresse. Les cycles minutés fonctionnent selon le temps sélectionné. REMARQUE : Les options de niveaux de séchage varient selon le modèle. Consultez le panneau de commande de votre modèle ou les panneaux de commande illustrés précédemment dans le présent manuel.</p>
Extra Dry	Utilisé pour les tissus résistants ou les articles qui ont besoin d'être très secs, comme par exemple les serviettes.
More Dry	Utilisé pour les tissus très résistants ou mélangés.
Dry	Utilisé pour un niveau de séchage normal adapté à la plupart des brassées. C'est le cycle recommandé pour un fonctionnement en économie d'énergie.
Less Dry	Utilisé pour les tissus plus légers.
Damp	Pour laisser les articles partiellement humides.
Temperature	
High	Pour les cotons normaux à lourds. REMARQUE : STEAM Dewrinkle (Défroissage à la vapeur) et STEAM Refresh (Rafraîchissement à la vapeur) nécessitent un réglage de température plus élevé.
Medium	Pour les synthétiques, les mélanges et les articles étiquetés sans repassage.
Low	Pour les tissus délicats, synthétiques et les articles étiquetés Tumble Dry Low (séchage par culbutage à basse température).
Extra Low	Pour la lingerie et les tissus à entretien spécial.
No Heat	Pour culbuter les articles sans chaleur. Pour utilisation avec le cycle AIR FLUFF (Air froid) seulement.

Comment démarrer

F Options

Reduce Static (Réduction de la statique) (certains modèles)

Lorsque cette option est sélectionnée, la sècheuse vaporise une brume d'eau sur la brassée à la fin du cycle de séchage afin de réduire la statique. Cette option n'est pas disponible avec les cycles **BULKY** (Lingerie volumineuse), **SANITIZE** (Désinfecter) ou **STEAM** (Vapeur).

Damp Alert (Alerte d'humidité) (Damp Alert/WiFi pad) (certains modèles)

Cette option fait sonner la sècheuse quand les vêtements ont été séchés jusqu'à un certain niveau d'humidité. Retirez les articles que vous souhaitez étendre pour sécher. **Damp Alert** (L'Alerte d'humidité) émet un bip lorsque cette option est sélectionnée, et la sècheuse continuera à sécher. Le fait de retirer les vêtements et les étendre quand ils sont humides peut diminuer le besoin de repasser certains articles.

Delay Dry (Mise en séchage différée)

Appuyez sur la touche **Delay Dry** (Séchage différé) pour régler le temps du délai par unités de 1 heure jusqu'à un total de 24 heures, puis reculer pour mettre à zéro (0 heures). Une fois le temps du délai choisi, appuyez sur **Start** (Mise en marche) et le décompte du délai s'affichera jusqu'au démarrage du cycle. **REMARQUE** : Pour régler le temps du délai plus rapidement, vous pouvez maintenir une pression sur la touche **Delay Dry** (Séchage différé).

Delay Dry for WiFi Connected Dryers (Séchage différé pour sècheuses avec connexion Wi-Fi)

Vous disposez de deux options pour **Delay Dry** (régler le séchage différé) à l'aide de votre téléphone intelligent.

Option 1 : Suivez les instructions du séchage différé. Vous pouvez utiliser l'application **GE Appliances Laundry** pour modifier le temps avec votre téléphone intelligent.

Option 2 - Remote Start: Réglez votre sècheuse à « AP » avec la touche **Delay Dry** (Séchage différé). Cela vous permet d'utiliser l'application **GE Appliances Laundry** au moyen de votre téléphone intelligent pour démarrer votre sècheuse à distance au moment que vous souhaitez. Si la sècheuse est réglée à AP sans activité, la sècheuse va démarrer 24 heures plus tard.

Air Fluff (Air froid) (certains modèles)

Fournit 10 minutes de temps de culbutage sans chaleur. **NOTE**: Sur les modèles dépourvus du cycle **AIR FLUFF** (Air froid), sélectionnez **TIMED DRY** (Séchage minuté) et **Temp** (réglez la température) sur **No Heat** (Sans chaleur).

Sound (certains modèles)

Pour modifier l'intensité sonore du signal de fin de cycle et le volume du pavé tactile, appuyez sur ce bouton autant de fois nécessaires afin d'atteindre l'intensité sonore désirée. Sur certains modèles, il y a quatre niveaux sonores incluant la sourdine, d'autres modèles ont Alumé/Éteint (Off/On) avec la fonction appuyer et maintenir.

REMARQUE :

- Retirez les vêtements rapidement au signal sonore. Placez les vêtements sur des cintres pour éviter la formation de plis.
- Utilisez l'option **Sound** (Son) pour le séchage de tissus tels que le polyester, les tricots et les articles sans repassage. Ces tissus doivent être retirés pour éviter la formation de plis.

Wrinkle Care (Antifroissement)

Utilisez cette option pour réduire les plis des vêtements au minimum. Elle procure 1 heure de culbutage sans chaleur une fois les vêtements secs. Si vous utilisez le cycle **Sound** (Son) et sélectionnez l'option **Wrinkle Care** (Antifroissement), un signal sonore retentira à la fin de la période de séchage et plusieurs fois pendant le cycle **Wrinkle Care** (Antifroissement). Cela vous rappellera qu'il est temps de retirer les vêtements.

More Time + / Less Time - (Plus de temps / Moins de temps)

On peut modifier le temps de prolongation du cycle sélectionné par unités de 1 minute en appuyant sur les touches **More Time +** (Plus de temps) ou **Less Time -** (Moins de temps).

Comment démarrer

F Options (cont.)

ecoDry (Séchage éconergétique)

Disponible avec les cycles **BULKY** (Lingerie volumineuse), **TOWELS** (Serviettes), **COTTONS** (Cotons), **MIXED LOADS** (Charges mixtes), **ACTIVE WEAR** (Vêtements sports) et **DELICATES** (Tissus délicats). Lorsque la touche **ecoDry** (Séchage éconergétique) est pressée, les réglages du cycle changent afin de réduire la consommation totale d'énergie du cycle à détection de sécheresse sélectionné. **REMARQUE** : L'option **ecoDry** modifie aussi les durées de cycle. Le réglage **COTTONS** sera activé par défaut. Pour des économies d'énergie optimales, activez **ecoDry**. Pour des temps de séchage optimaux, désactivez **ecoDry**.

REMARQUE : Les économies d'énergie varient selon les brassées et les cycles.

Light (Lampe) (certains modèles)

La lampe du tambour s'allumera sur pression de la touche **Light** ou à l'ouverture de la porte. Elle s'éteindra à la fermeture de la porte, sur une autre pression de la touche **Light** ou après 5 minutes si la porte est laissée ouverte.

Small Load (Petite brassée) (certains modèles)

Pour petite brassée avec tout cycle à détection de sécheresse (sauf **SANITIZE** (Désinfecter)).

My Settings (Mes réglages) (certains modèles)

À mesure que le cadran de sélection de cycle est tourné, les réglages **Time** (Séchage minuté), **Level** (Niveau de sécheresse) et **Temp** (Température) passent automatiquement aux valeurs des réglages par défaut. Si vous désirez un réglage différent, appuyez sur la ou les touches appropriées. Maintenez ensuite une pression sur la touche **My Settings** durant 3 secondes et la sècheuse mémorisera ces réglages pour cette sélection du cadran. Par la suite, vos réglages seront automatiquement rappelés lorsque vous tournerez le cadran de sélection sur ce cycle.

REMARQUE : L'option **My Settings** ne permet de régler le signal **Sound** (sonore).

REMARQUE : Pour les modèles dotés d'intelligence artificielle (**AI**), **My Settings** (Mes réglages) peuvent être réglés automatiquement selon vos habitudes d'utilisation. Si vous souhaitez réinitialiser cela, maintenez la touche **MY Settings** (Mes réglages) enfoncée pour effacer la mémoire.

Control Lock (Verrouillage de contrôle)

Vous pouvez verrouiller les contrôles pour empêcher tout choix de cycle, ou vous pouvez verrouiller les contrôles après avoir commencé un cycle. Les enfants ne peuvent pas mettre accidentellement en marche la sècheuse en appuyant sur des touches quand vous choisissez cette option.

Pour verrouiller/ déverrouiller les contrôles de la sècheuse, appuyez sur le bouton **Light** (Voyant) et tenez-la appuyée pendant 3 secondes. L'icône de cadenas clignotera durant le verrouillage ou le déverrouillage, restera allumée en verrouillage et éteinte en déverrouillage.

NOTE : Vous pouvez encore utiliser le bouton **Power** (Alimentation) quand la machine est verrouillée.

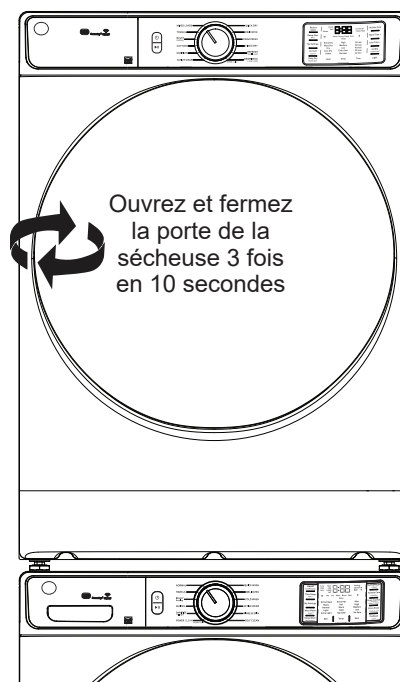
WiFi (Bouton Damp Alert/WiFi)

Appuyez sur la touche Damp Alert / WiFi et maintenez-la enfoncée pendant 3 secondes pour l'activer.

Comment démarrer

Contrôle de la sècheuse – Appairage Bluetooth® (certains modèles)

1. Allumez la **laveuse** et la **sècheuse** mais ne démarrez aucun cycle.
2. Appuyez et maintenez enfoncé le bouton **Tumble Care** de la **laveuse** pendant 5 secondes jusqu'à ce que le voyant Bluetooth® (📶) commence à clignoter et que vous entendiez un signal sonore.
3. Ouvrez et fermez la porte de la **sècheuse** 3 fois en 10 secondes pour la rendre détectable par la laveuse."
4. La laveuse tentera de découvrir la sècheuse, l'icône Bluetooth® clignotera et les deux affichages clignoteront « - - - ».
5. L'icône Bluetooth® de la laveuse doit s'allumer sans clignoter, ce qui signifie que les machines sont maintenant appairées. Les écrans de la laveuse afficheront "bt" dès que le jumelage soit terminé.
6. Si les unités Bluetooth® ne s'appairent pas, répétez les étapes 1 à 5.
7. Pour désappairer les machines, appuyez simplement sur le bouton **Tumble Care** et maintenez-le enfoncé pendant 10 secondes ou ouvrez et fermez la porte de la **sècheuse** 3 fois en 10 secondes.



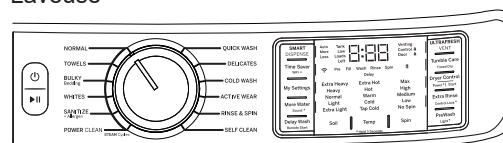
Scannez pour obtenir des instructions

Comment utiliser la fonction de contrôle Dryer Control de la sècheuse (certains modèles)

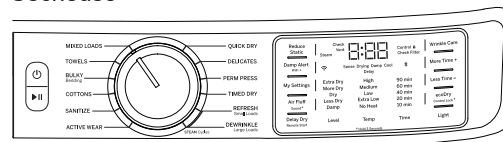
1. Allumez la **laveuse**.
2. Appuyez et maintenez le bouton de **Dryer Control** (Contrôle de la sècheuse) sur la **laveuse** pendant 3 secondes pour allumer la **sècheuse**.
3. La sélection de cycle de la **sècheuse** clignotera pour afficher le cycle automatique recommandé qui s'apparie au dernier cycle de la laveuse terminé lorsque l'affichage de la **laveuse** indique « **drY** ».
4. Pour utiliser ce cycle, appuyez sur le bouton de commande **Dryer Control** pour démarrer la **sècheuse**. La **sècheuse** peut être mise en pause en ouvrant sa porte ou en appuyant sur le bouton de commande **Dryer Control**. Pour redémarrer la **sècheuse** avec sa porte fermée, il suffit d'appuyer à nouveau sur le bouton **Dryer Control**.
5. Pour sélectionner **Timed Dry** au lieu du cycle de séchage automatique, appuyez simplement sur le bouton **Timed Dry** de la **laveuse** pendant que l'écran affiche « **drY** ». Des pressions successives sur ce bouton feront défiler les durées de séchage minuté prédéfinies (la valeur par défaut est de 10 minutes).
6. Une fois que vous avez sélectionné la durée du cycle **Timed Dry**, appuyez sur **Dryer Control** dans les 10 secondes pour démarrer la sècheuse.



Laveuse



Sècheuse



REMARQUE : Le panneau de commande de votre **sècheuse** est entièrement fonctionnel même lorsque vous utilisez la commande de sècheuse via la **laveuse**.

La mise hors tension de la **laveuse** n'éteindra pas la **sècheuse** lorsqu'un cycle de séchage est en cours.

Chargement

Respectez toujours l'étiquette d'entretien du fabricant lors de la lessive.

Conseils pour le tri et le chargement

⚠ AVERTISSEMENT - Risque d'incendie

- Gardez les matières et les vapeurs inflammables telles que l'essence à distance de la sècheuse.
- **NE** séchez **AUCUN** article qui a déjà reçu une matière inflammable (même après le lavage).
- Aucune laveuse ne peut éliminer l'huile totalement.
- **NE** séchez **AUCUN** article qui a déjà reçu un type d'huile quelconque (y compris les huiles de cuisson).
- Les articles qui comportent de la mousse, du caoutchouc ou du plastique doivent sécher sur une corde à linge.
- Le non-respect de ces instructions pourrait entraîner la mort, l'explosion ou l'incendie.

En règle générale, lorsque les vêtements sont correctement triés pour le lavage, ils le sont aussi pour le séchage. Essayez aussi de trier les articles en fonction de leur taille. Par exemple, ne séchez pas un drap avec des chaussettes ou d'autres petits articles.

N'ajoutez pas votre feuille d'assouplissant textile lorsque la brassée a commencé à chauffer, car elle risque de provoquer des taches d'assouplissant. Les feuilles d'assouplissant de tissus BounceMD pour sècheuses ont été approuvées pour cette sècheuse si elles sont utilisées conformément aux instructions du fabricant.

Ne surchargez pas. Ceci consomme inutilement de l'énergie et cause des faux plis.

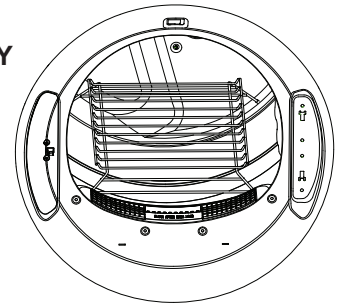
Grille de séchage (Disponible en option)

Utilisez une grille de séchage pour sécher les articles délicats, par exemple, les chandails lavables.

Pour installer la grille de séchage, placez celle-ci jusque dans le fond du tambour de la sècheuse et baissez ses pieds fermement en place dans la sècheuse.

REMARQUES :

- La grille de séchage est conçue pour une utilisation avec le programmé de **TIMED DRY** (Séchage minuté). L'utilisation de la grille avec un programme de séchage par capteur peut augmenter la durée des programmes ou conserver l'humidité dans les articles.
- N'utilisez pas la grille de séchage lorsque d'autres vêtements dans la sècheuse.
- Si la grille de séchage n'est pas livrée avec votre modèle, commandez la pièce **WE02X29449** en ligne sur **GEApplianceParts.com** 24 heures sur 24, ou en téléphonant au **877.959.8688** pendant les heures normales de bureau.



Entretien et nettoyage

Intérieur et Conduit

L'intérieur de l'appareil et le conduit d'évacuation doivent être généralement confiés à un technicien qualifié.

Conduit d'évacuation : Inspectez et nettoyez le conduit d'évacuation au moins une fois par année afin d'éviter qu'il se bouche. La durée de séchage peut être augmentée lorsque l'évacuation est bouchée.

Suivez ces étapes :

- 1 Coupez l'alimentation électrique en débranchant la fiche de la prise murale.
- 2 Débranchez le conduit de la sècheuse.
- 3 Passez l'aspirateur dans le conduit en utilisant la rallonge du boyau puis rebranchez le conduit.

Hotte d'évacuation : Vérifiez avec un miroir que les battants intérieurs se déplacent sans difficulté au cours de l'utilisation. Vérifiez qu'il n'y a pas d'animaux ou d'insectes qui ont fait leur nid dans le conduit ou la hotte.

Extérieur

Essuyez ou époussetez tout déversement ou produit de lavage avec un chiffon humide. Le panneau de commande de la sècheuse peut être endommagé par certains détergents et produits détachants. Appliquez ces produits loin de la sècheuse. Le tissu peut ensuite être lavé et séché normalement. Les dommages causés par ces produits ne sont pas couverts par la garantie de votre sècheuse.

Filtre à charpie

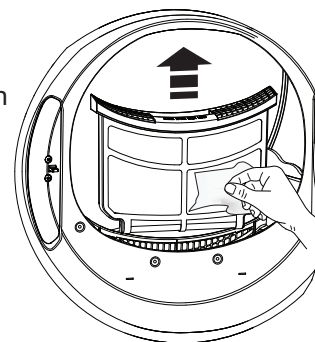
Nettoyez le filtre à charpie avant chaque utilisation.

Retirez en tirant directement vers le haut. Passez vos doigts sur le filtre. Une accumulation cireuse peut se former sur le filtre à charpie en raison de l'ajout de feuilles d'adoucissant dans la sècheuse.

Pour nettoyer cette accumulation, lavez le filtre à charpie à l'eau tiède savonneuse. Séchez à fond et remettre en place.

Passez l'aspirateur dans la zone du filtre à charpie si vous notez un changement dans le rendement de la sècheuse.

N'UTILISEZ JAMAIS LA SÈCHEUSE SANS FILTRE.



Acier inoxydable (sur les modèles GFD85 et PFD95 uniquement)

Pour nettoyer les surfaces en acier inoxydable, utilisez un chiffon humide et un détergent doux non abrasif convenant aux surfaces en acier inoxydable. Retirez les résidus de produit nettoyant, puis séchez-les avec un chiffon propre.

L'acier inoxydable utilisé pour la fabrication du tambour de la sècheuse vous offre la meilleure fiabilité possible dans une sècheuse GE Appliances. Si le tambour de la sècheuse venait à être marqué ou rayé en cours d'usage normal, il ne rouillerait pas. Ces dommages superficiels n'affecteront pas sa durabilité ni son fonctionnement.

Acier aluminé Alcosta (sur tous les autres modèles)

L'acier utilisé pour fabriquer le tambour de la sècheuse comporte un revêtement aluminé en surface pour éviter la rouille et la corrosion. Toutes surfaces ayant un défaut d'aspect n'affecteront pas la fonction ni la durabilité du tambour.

Pour nettoyer une surface Alcosta, utilisez un linge humide et un nettoyant doux et non abrasif conçu pour les surfaces en acier inoxydable. Éliminez les résidus de nettoyant et asséchez avec un linge propre.

Éclairage du tambour (certains modèles)

La lampe du tambour est de type DEL. Son remplacement doit être effectué par un technicien qualifié.

Instructions d'installation

Sécheuse

Des questions? Appelez le 800.561.3344 ou Visitez notre site Web à l'adresse : www.electromenagersge.ca

AVANT DE COMMENCER

Lisez attentivement ces instructions dans leur intégralité.

- **IMPORTANT** – Gardez ces instructions pour l'usage de l'inspecteur électrique local.
- **IMPORTANT** – Observez toutes les réglementations et ordonnances en vigueur.
- Installez la sécheuse conformément aux instructions du fabricant et aux réglementations locales.
- **Remarque pour l'installateur** – Assurez-vous de laisser ces instructions au client.
- **Remarque pour le consommateur** - Gardez ces instructions à titre de référence ultérieure.
- L'installation de la sécheuse doit être effectuée par un installateur qualifié.
- Cette sécheuse doit être mise à l'évent à l'extérieur.
- Retirez la porte de la vieille sécheuse avant de la mettre au rebut ou hors service.
- Les renseignements d'entretien et le schéma de câblage se trouvent dans la console de commande.
- Ne laissez pas les enfants monter sur l'appareil ou entrer dans celui-ci. Une surveillance étroite des enfants doit être exercée lorsque l'appareil est utilisé à leur proximité.
- La responsabilité d'installer correctement l'appareil relève de l'installateur.
- Toute défaillance de l'appareil suite à une installation incorrecte n'est pas couverte par la garantie.
- Installez la sécheuse là où la température est supérieure à 10 C (50 F) pour assurer le bon fonctionnement du système de commande de la sécheuse.
- Retirez et jetez les conduits en feuille métallique ou en plastique existants et remplacez-les par un conduit homologué UL.

Si vous envisagez de superposer une sécheuse et une laveuse, commandez la Trousse de Superposition **GFA28KITN** à utiliser avec cette sécheuse. La trousse est vendue séparément.

! AVERTISSEMENT

- **Risque d'incendie**
- L'installation de la sécheuse doit être effectuée par un installateur qualifié.
- Installez la sécheuse conformément aux instructions du fabricant et aux réglementations locales.
- N'installez **PAS** de sécheuse avec des conduits en plastique flexible. Si un conduit métallique flexible (semi-rigide ou du type feuille métallique) est installé, il doit être homologué UL et installé conformément aux instructions figurant dans « Connecter la sécheuse à l'évent de la maison » de ce manuel. Les conduits flexibles ont tendance à s'affaisser, à être facilement écrasés et à piéger la charpie. Ces conditions bouchent le débit d'air de la sécheuse et augmentent le risque d'incendie.
- N'installez et ne remisez **PAS** cet appareil dans un lieu où il peut être exposé à l'eau ou intempéries.
- Pour réduire le risque de blessure grave, voire de mort, suivez toutes les instructions d'installation.
- Gardez ces instructions. (Installateurs : Assurez-vous de laisser ces instructions au client.)

SÉCHEUSES À GAZ SEULEMENT

Dans Le Commonwealth Du Massachusetts, les instructions d'installation suivantes sont applicables :

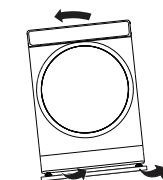
- Ce produit doit être installé par un plombier ou un monteur d'installations au gaz licencié.
- Si vous utilisez des robinets d'arrêt du gaz à bille, ils doivent avoir une poignée en T.
- Si vous utilisez un raccord de gaz flexible, il ne doit pas dépasser 1.22 m (4 pieds).

Instructions d'installation

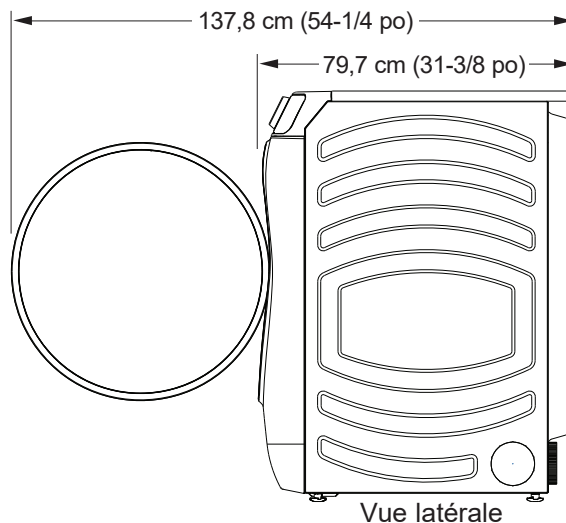
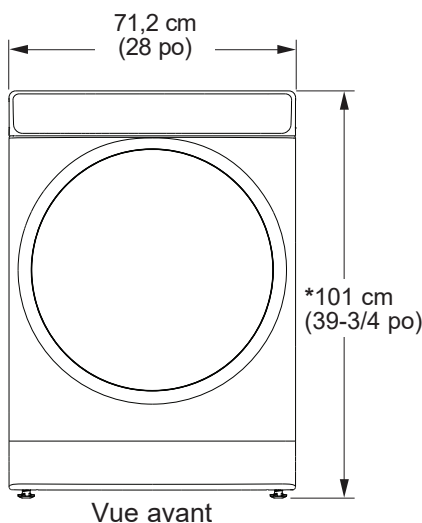
DÉBALLAGE DE VOTRE SÉCHEUSE

Inclinez la sécheuse latéralement et enlevez les coussinets d'expédition en mousse en les poussant sur les côtés et en les détachant des pattes de la sécheuse.

Assurez-vous d'enlever toutes les pièces en mousse autour des pattes. Considérez les options de recyclage des matériaux d'emballage de votre électroménager.



DIMENSIONS DE LA SÉCHEUSE



***NOTE:** Avec pieds de nivellement rétractés : 101 cm (39-3/4 po).
 Avec pieds de nivellement complètement sortis : 103,1 cm (40-5/8 po).
 Avec piédestal optionnel : 141 cm (55-1/2 po) Min. - 143,8 cm (56-5/8 po) Max.
 Superposé : 201 cm (79-1/8 po).

FLEXIBLES D'EAU OU DE VAPEUR (pour modèles de sécheuse avec vapeur seulement) :

GE Appliances recommande vivement l'utilisation de pièces spécifiées par le fabricant. Ces flexibles sont fabriqués et essayés de façon à satisfaire aux spécifications de GE Appliances.

GE Appliances recommande vivement l'utilisation de flexibles d'alimentation d'eau neufs. Les flexibles se détériorent avec le temps et ils doivent être remplacés tous les 5 ans afin de réduire le risque de défaillance ou de dégât d'eau.

Pièces et accessoires

Commandez en ligne sur www.electromenagersge.ca 24 heures sur 24 ou en téléphonant au **800 561-3344** durant les heures normales d'affaire.

No. de pièce	Accessoire
WE25X20060	Ensemble complet (flexibles, rondelles, d'adaptateur en Y) ou
WE49X25794	Ensemble (Flexible court, rondelles, d'adaptateur en Y) et
WE1M847	Flexible long
OR SEPARATELY	
WE1M847	Flexible long et
WE1M848	Flexible court

ACCESSOIRES :

Commandez en ligne sur www.electromenagersge.ca 24 heures sur 24 ou en téléphonant au **800 561-3344** durant les heures normales d'affaire.

No. de pièce	Accessoire
GFR0728SNWW	Élévateur blanc
GFR0728PNSN	Élévateur Nickel satiné
GFR0728PNRS	Élévateur Saphir royal
GFR0728PNDG	Élévateur Gris diamant
GFR0728PTDS	Élévateur en ardoise noire

No. de pièce	Accessoire
GFA28KITN	Kit d'empilage d'une sécheuse sur une laveuse
GFA28DSVN (WE16X29317)	Trousse de ventilation pour sécheuse
PM08X10085	Conduit flexible de transition de métal pour sécheuses
WE02X29449	Grille de séchage
GFP1528SNWW	Piédestal blanc
GFP1528PNSN	Piédestal Nickel satiné
GFP1528PNRS	Piédestal Saphir royal
GFP1528PNDG	Piédestal Gris diamant
GFP1528PTDS	Piédestal en ardoise noire

Instructions d'installation

EXIGENCES RELATIVES À UNE INSTALLATION ENCASTRÉE

⚠ AVERTISSEMENT - Risque d'explosion

Gardez les matières et les vapeurs inflammables telles que l'essence à distance de la sècheuse.

Placez la sècheuse à au moins 46 cm (18 po) au-dessus du sol dans le cas d'une installation dans un garage.

L'omission de prendre ces précautions peut provoquer la mort, l'explosion ou l'incendie.

- L'air de la sècheuse DOIT être évacué vers l'extérieur.
 - L'espace minimum entre la sècheuse et les murs adjacents ou d'autres surfaces est le suivant:
 - 0 cm (0 po) des deux côtés*
 - 0 cm (0 po) avant
 - 0 cm (0 po) arrière
 - 0 cm (0 po) haut
- *Pour améliorer la performance, un dégagement de 12,7 mm (1/2 po) est suggéré de chaque côté.
- L'arrière de la sècheuse doit faire face à un mur.
 - Il faut veiller à procurer le dégagement nécessaire à l'installation et aux interventions de service.
 - Les portes du placard doivent être perforées ou bien ventilées et disposer d'au moins 387 cm² (60 pouces carrés) d'espace. Si le placard abrite une laveuse et une sècheuse, les portes doivent disposer de 774 cm² (120 pouces carrés) au minimum d'espace ouvert.

REMARQUE: SI LE TUYAU D'ÉVACUATION EST SITUÉ À L'ARRIÈRE DE LA SÈCHEUSE, LA CONFIGURATION DU TUYAU POURRAIT DEMANDER UN DÉGAGEMENT EN ARRIÈRE PLUS GRAND.

Sécheuses à gaz seulement :

- Aucun autre appareil alimenté au carburant ne doit être installé dans le même placard qu'une sècheuse à gaz.
- La sècheuse doit être débranchée de la conduite d'alimentation en gaz lors des essais de pression lorsque celle-ci est supérieure à 1/2 psi (3,5 kPa).
- Un connecteur obturé d'un minimum de 3,2 mm (1/8 po) NPT, accessible pour la connection de l'instrument de mesure, doit être posé tout juste en amont de la connection de l'alimentation en gaz de la sècheuse.

DÉGAGEMENTS MINIMUMS AUTRES QUE POUR UNE INSTALLATION ENCASTRÉE

Les dégagements minimums par rapport aux surfaces inflammables et pour l'orifice d'aération sont les suivants : 0 cm (0 po) des deux côtés*, 0 cm (0 po) à l'arrière et 0 cm (0 po) haut.

*Pour améliorer la performance, un dégagement de 12,7 mm (1/2 po) est suggéré de chaque côté.

L'arrière de la sècheuse doit faire face à un mur.

Veillez à prévoir des dégagements suffisants pour toute installation et réparation.

INSTALLATION DANS UNE MAISON MOBILE OU PRÉFABRIQUÉE

- Installation DOIT être conforme à la NORME DE SÉCURITÉ POUR LA CONSTRUCTION DE MAISONS FABRIQUÉES, TITRE 24, PARTIE 3280 ou NORME POUR DES MAISONS MOBILES CAN/CSA-Z240 MH, ou, si la norme n'est pas applicable, à la NORME NATIONALE AMÉRICAINNE POUR LES MAISONS MOBILES ANSI/NFPA N° 501B.
- L'air de la sècheuse DOIT être évacué vers l'extérieur.
- L'évent d'évacuation DOIT être fixé d'une façon sécuritaire à une partie non combustible de la maison mobile.
- La ventilation NE DOIT PAS déboucher sous une maison mobile ou fabriquée.
- Le matériau du tuyau de ventilation DOIT ÊTRE LE MÉTAL.
- L'ensemble 14-D346-33 DOIT être utilisé pour raccorder la sècheuse à la structure.
- La ventilation NE DOIT PAS être raccordée à tout autre tuyau, évent ou cheminée.
- N'utilisez PAS de vis à tôle ni d'autres dispositifs de serrage qui dépassent à l'intérieur de l'évent d'évacuation.
- Prévoyez une ouverture dotée d'une zone ouverte de 63 cm² (25 pouces carrés) pour l'infiltration d'air extérieur dans de la sècheuse chambre.
- Voir la section pour des renseignements sur la connexion électrique.

Instructions d'installation

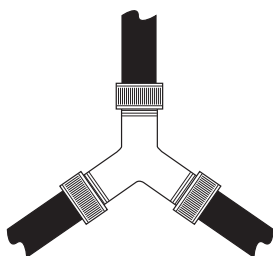
BRANCHEMENT DES BOYAUX D'ARRIVÉE (pour modèles de sècheuse avec vapeur seulement)

BRANCHEMENT DES BOYAUX D'ARRIVÉE

Pour produire de la vapeur, la sècheuse doit être branchée à une alimentation d'eau froide. Puisque la laveuse doit aussi être branchée à une alimentation d'eau froide, un connecteur en « Y » est inséré, afin de permettre aux boyaux d'arrivée d'être brancher au même moment.

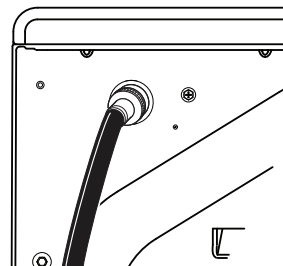
REMARQUE : Utilisez des tuyaux d'entrée nouveaux ; n'utilisez jamais de vieux tuyaux.

1. Fermez le robinet d'eau froide. Débranchez le boyau d'arrivée du connecteur du robinet de remplissage (froid).
2. Assurez-vous que la rondelle plate en caoutchouc est en place et attachez le raccord femelle du tuyau court fournis au connecteur du robinet de remplissage de la laveuse. Resserrez à la main jusqu'à ce qu'il soit bien serré. Resserrez à la main jusqu'à ce qu'il soit bien serré.
3. Raccordez une extrémité mâle du connecteur en « Y » à l'autre raccord femelle du boyau court. Assurez-vous que la rondelle plate en caoutchouc est en place. Resserrez à la main jusqu'à ce qu'il soit bien vissé.



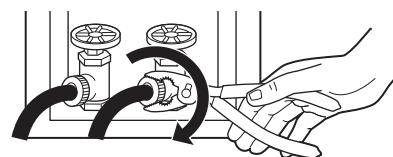
4. Insérez la grille de filtre dans le raccord du boyau d'arrivée de **la laveuse**. Si une rondelle plate en caoutchouc est déjà en place, retirez-la avant d'installer la grille de filtre. Raccordez ce raccord à une extrémité mâle du connecteur en « Y ». Resserrez à la main jusqu'à ce qu'il soit bien serré.
5. Assurez-vous que la rondelle plate en caoutchouc est en place et raccordez le tuyau d'arrivée de 1,2 m (4 pieds) à 1,8 m (6 pieds) (il est possible qu'il soit nécessaire de l'acheter séparément) à une extrémité mâle du connecteur en « Y ». Resserrez à la main jusqu'à ce qu'il soit bien serré.
6. Assurez-vous que la rondelle plate en caoutchouc est en place et raccordez l'autre extrémité du boyau d'arrivée long de **la sècheuse** au connecteur du robinet de remplissage dans le bas du panneau arrière de la sècheuse. Resserrez à la main jusqu'à ce qu'il soit bien serré.

BRANCHEMENT DES BOYAUX D'ARRIVÉE (suite)



7. En utilisant des pinces, resserrez toutes les connexions avec un tour au deux-tiers.

REMARQUE : Ne pas trop serrer. Vous pourriez endommager les connexions.



8. Ouvrez le robinet d'eau.
9. Vérifiez l'absence de fuites autour du connecteur en « Y », du robinet et des raccords de boyau.

EXIGENCES DE L'ALIMENTATION D'EAU






Les robinets d'eau chaude et d'eau froide **DOIVENT** être installés à une distance d'au moins 107 cm (42 po) du boyau d'eau de la laveuse. Les robinets **DOIVENT** être de type boyau de jardin de 19,1 mm (3/4 po) pour que les boyaux d'arrivée puissent être branchés. La pression de l'eau **DOIT** être entre 10 et 120 livres par pouce carré. Votre département d'eau peut vous laisser savoir ce qu'est votre pression d'eau.

REMARQUE : Un adoucisseur d'eau est recommandé pour réduire l'accumulation de dépôt à l'intérieur du générateur de vapeur si l'alimentation d'eau de la maison est très dure.

Instructions d'installation

RACCORDEMENT D'UNE SÈCHEUSE À GAZ (non applicable aux sècheuses électriques)

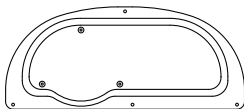
OUTILS NÉCESSAIRES

- Clés à molette (2)
25.40 cm (10 po)

- Clé à tuyau 20.32 cm
(8 po)

- Tournevis à tête plate

- Pince à joint coulissant

- Niveau


MATÉRIEL NÉCESSAIRE

GFA28DSVN Kit
(Toutes les pièces incluses dans ce kit ou les pièces peuvent être achetées séparément)

- Panneau d'accès



- Coude métallique 10,2 cm (4 po) de diamètre



- Tuyau métallique 10,2 cm (4 po) de diamètre (recommandé)



- Colliers de conduit 10,2 cm (4 po) (2) ou brides à ressort 10,2 cm (4 po) (2)



- Tuyau métallique souple 10,2 cm (4 po) de diamètre (si nécessaire)



- Ruban de papier d'aluminium



- Évent d'évacuation



- Mastic ou PTFE ruban pour joints de tuyaux



- Tuyau de raccordement souple



- Gaz adaptateur (2), elbow, un coude et obturateur



- Solution savonneuse pour la détection de fuites



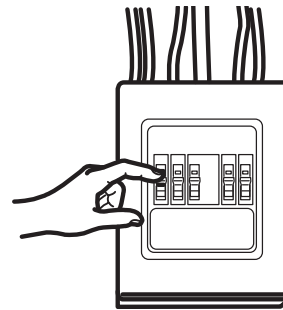
- Gants



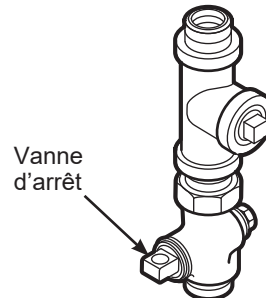
- Lunettes de protection



- Avant de démarrer l'installation, déclenchez le disjoncteur ou enlevez le fusible de la sècheuse au panneau de distribution électrique. Assurez-vous que le cordon d'alimentation de la sècheuse est débranché de la prise murale.



- Fermez la vanne d'arrêt du gaz de la sècheuse de la conduite d'alimentation.



- Démontez et jetez l'ancien connecteur de gaz flexible et l'ancien conduit.



Instructions d'installation

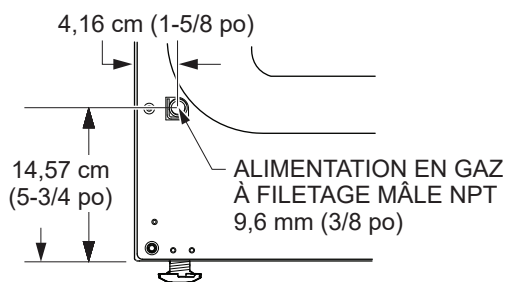
RACCORDEMENT D'UNE SÈCHEUSE À GAZ (suite)

EXIGENCES RELATIVES AU GAZ

⚠ AVERTISSEMENT - Risque d'explosion

- Utilisez une conduite de gaz flexible neuve, homologuée CSA International. Ne réutilisez jamais des connecteurs flexibles qui ont déjà servi.
 - Installez une vanne manuelle d'arrêt individuelle à l'intérieure de 6 pieds de la sècheuse conformément au Code National du Gaz Combustible, ANSI Z223.1 / NFPA 54.
 - Serrez fermement tous les raccords de gaz.
 - Si l'alimentation consiste en du gaz liquéfié, demandez à un technicien agréé de confirmer que la pression de gaz N'excède pas 33 cm (13 po) de la colonne d'eau.
 - Un technicien agréé peut provenir d'une entreprise spécialisée en chauffage, fourniture de gaz ou réparation.
 - L'omission de prendre ces précautions peut provoquer la mort, l'explosion ou l'incendie.
-
- L'installation doit être conformes aux normes des codes locaux ou, en leur absence, avec la norme ANSI Z223.1/NFPA 54 du National Fuel Gas Code ou CSA B149.1 du Natural Gas and Propane Installation Code.

RACCORDEMENT DE L'ALIMENTATION EN GAZ DE LA SÈCHEUSE



REMARQUE : Ajoutez à la dimension verticale la distance entre le fond de la carrosserie et le sol.

Vous devez utiliser un connecteur flexible en métal certifié par ANSI Z21.24/CSA 6.10. La longueur du connecteur ne doit pas excéder 1.2 m (4 pieds).

ALIMENTATION EN GAZ

- Un robinet de raccordement à filetage National Pipe Taper 3,2 mm (1/8 po), accessible pour le raccordement d'un manomètre, doit être installé immédiatement en amont du raccord d'alimentation en gaz de la sècheuse. Contactez votre service de gaz local si vous avez des questions sur l'installation d'un robinet de raccordement.
- La conduite d'alimentation doit être composée d'un tube rigide de 12,7 mm (1/2 po) et équipée d'une vanne d'arrêt à moins de 1,8 m (6 pieds) de la sècheuse et dans la même pièce.
- Utilisez un mastic d'étanchéité approprié au gaz naturel ou au gaz de pétrole liquéfié ou utilisez du ruban PTFE.
- Raccordez le tuyau de raccordement métallique souple à la sècheuse et à l'alimentation en gaz.

⚠ AVERTISSEMENT - Risque d'incendie

POUR UNE UTILISATION AVEC GAZ NATUREL SEULEMENT

La sècheuse, telle que produite par le fabricant, doit être utilisée uniquement avec une alimentation en gaz naturel. Pour convertir cette sècheuse au gaz propane il est nécessaire un kit de conversion fourni par le fabricant. Utilisez le kit propane de conversion de gaz WE25M87. La conversion doit être effectuée par du personnel formé et qualifié conformément aux codes et règlements locaux.

AJUSTEMENT DÛ À L'ÉLÉVATION

- Le flux d'entrée des sècheuses à gaz est ajusté pour une opération au niveau de la mer et n'a pas besoin d'être ajusté pour une opération à 610 m (2000 pieds) d'altitude ou moins. Pour une opération au dessus de 610 m (2000 pieds) d'altitude, le flux d'entrée doit être réduit à une fréquence de 4 pourcent par 305 m (1000 pieds) au dessus du niveau de la mer.
- L'installation doit être conforme aux codes locaux ou, si en absence de ces codes, le « NATIONAL FUEL GAS CODE, ANSI Z223 ».

Instructions d'installation

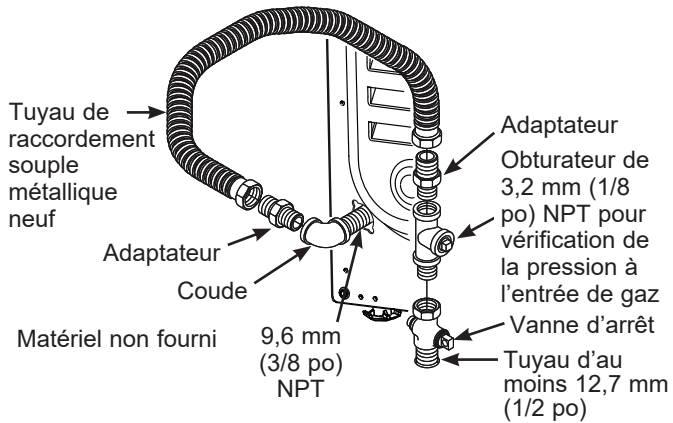
RACCORDEMENT D'UNE SÉCHEUSE À GAZ (suite)

RACCORDEMENT DE LA SÉCHEUSE À L'ALIMENTATION EN GAZ

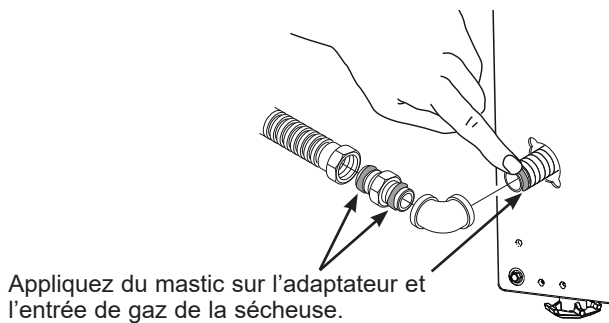
A Installez un coude femelle 9,6 mm (3/8 po) NPT à l'extrémité du raccord d'entrée de gaz de la sécheuse. Installez un raccord adaptateur 9,6 mm (3/8 po) sur le coude femelle.

IMPORTANT : Utilisez une clé à tuyau pour tenir fermement l'extrémité du raccord d'entrée de gaz de la sécheuse pour éviter de l'endommager.

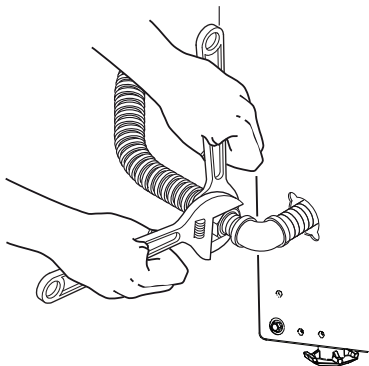
NOTE : Appliquez un mastic d'étanchéité ou du ruban PTFE sur les filetages de l'adaptateur et du raccord d'entrée de gaz de la sécheuse.



B Fixez le tuyau de raccordement métallique souple à l'adaptateur.



C Serrez le raccord du tuyau de raccordement souple à l'aide de deux clés à molette.

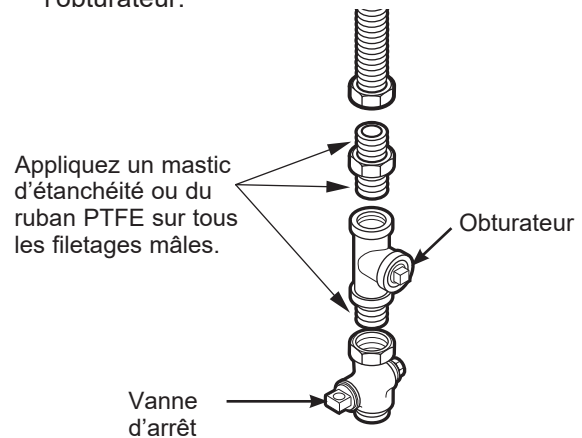


RACCORDEMENT DE LA SÉCHEUSE À L'ALIMENTATION EN GAZ (suite)

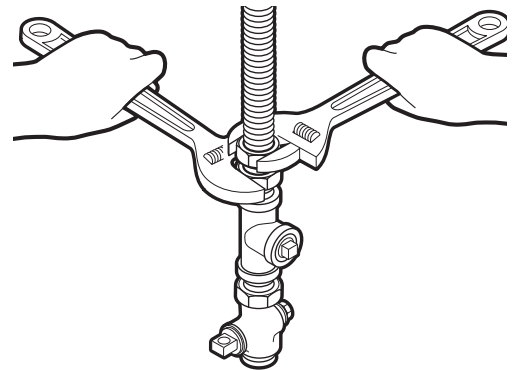
D Installez un obturbateur 3,2 mm (1/8 po) NPT sur la vanne d'arrêt de la ligne de gaz de la sécheuse pour vérifier la pression d'entrée du gaz.

Installez un raccord adaptateur à l'obturbateur.

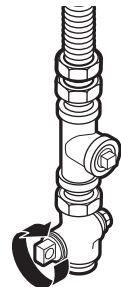
REMARQUE : Appliquez un mastic d'étanchéité ou du ruban PTFE sur les filetages de l'adaptateur et de l'obturbateur.



E Serrez tous les raccords à l'aide des deux clés à molette. **Ne serrez pas trop fort.**



F Ouvrez la vanne d'arrêt de gaz.



Instructions d'installation

RACCORDEMENT D'UNE SÈCHEUSE À GAZ (suite)

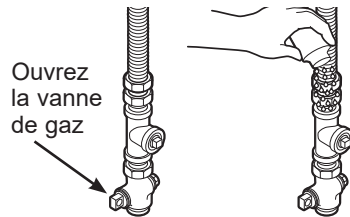
DÉTECTION DES FUITES

N'utilisez jamais une flamme nue pour vérifier la présence de fuites de gaz.

Contrôlez la présence de fuites sur tous les raccordements avec une solution savonneuse ou similaire.

Appliquez une solution savonneuse. La solution de détection des fuites ne doit pas contenir d'ammoniaque, ce qui pourrait endommager les raccords en laiton.

Si des fuites sont détectées, fermez la vanne, resserrez le raccord en cause et répétez la procédure de détection de fuites.



INFORMATIONS DE BRANCHEMENT ÉLECTRIQUE POUR LES SÈCHEUSES À GAZ

⚠ AVERTISSEMENT - Risque d'électrocution

Brancher l'appareil dans une prise à 3 broches mise à la terre.

NE PAS enlever la broche de mise à la terre.

N'UTILISEZ pas de rallonge électrique.

N'UTILISEZ pas d'adaptateur de prise.

L'omission de prendre ces précautions peut provoquer la mort, l'explosion ou l'incendie.

- Circuit – individuel, correctement polarisé et mise à la terre, disjoncteur de 15 ou 20 ampères ou fusible à temporisation.
- Alimentation - 2 fils plus la terre, 120 Volt, monophasé, 60 Hz, courant alternatif.
- Réceptacle sortie -

Réceptacle à 3 broches correctement mise à la terre, doit être placé de telle manière que le cordon d'alimentation soit accessible lorsque la sècheuse est installée dans sa position finale.

Si le circuit a un réceptacle à 2 broches, c'est la responsabilité du propriétaire de le faire remplacer par un réceptacle à 3 broches correctement mise à la terre par un électricien agréé.



INFORMATIONS DE BRANCHEMENT ÉLECTRIQUE POUR LES SÈCHEUSES À GAZ (suite)

- La sècheuse doit être mise à la terre conformément aux codes locaux et ordonnances, ou, en l'absence de tels codes, à la dernière édition du Code National Electrique, ANSI / NFPA NO. 70 ou du Code canadien de l'électricité, CSA C22.1. Vérifiez auprès d'un électricien agréé si vous n'êtes pas sûr que la sècheuse est correctement mise à la terre.

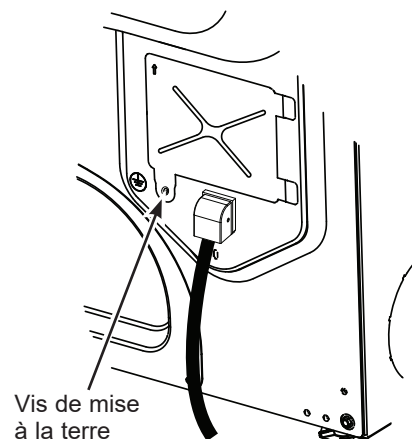
INSTRUCTIONS DE MISE À LA TERRE

Cette sècheuse doit être mise à la terre. Dans l'éventualité d'un mal fonctionnement ou d'une panne, la mise à la terre réduit le risque de choc électrique en procurant un circuit de moindre résistance au courant électrique. Cette sècheuse utilise un cordon doté d'un conducteur de mise à la terre de l'appareillage et d'une fiche de mise à la terre. La fiche doit être branchée dans une prise compatible correctement installée et mise à la terre conformément à tous les codes et règlements en vigueur.

⚠ AVERTISSEMENT Une connexion incorrecte du conducteur de mise à la terre de l'appareillage peut poser un risque de choc électrique. Consultez un électricien ou réparateur qualifié si vous doutez que l'appareil soit correctement mis à la terre. **NE** modifiez **PAS** la fiche du cordon d'alimentation. Si elle ne s'insère pas dans la prise, demandez à un électricien agréé de poser une prise appropriée.

CONSERVEZ CES INSTRUCTIONS

- Si les codes locaux l'exigent, vous pouvez ajouter un fil en cuivre externe de mise à la terre de calibre 18 ou plus. Fixez ce fil à l'arrière du cabinet de la sècheuse avec une vis de tôle # 8-18 x 1/2 po (1.27 cm) (disponible à toute quincaillerie) tel qu'illustré.



Instructions d'installation

RACCORDEMENT D'UNE SÈCHEUSE ÉLECTRIQUE

(Sauter cette étape si votre sècheuse est au gaz ou si un cordon d'alimentation est déjà attaché à votre sècheuse)

OUTILS NÉCESSAIRES

- Pince à joint coulissant



- Tournevis à tête plate



- Tournevis cruciforme



- Niveau

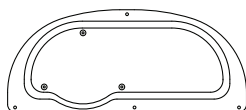


MATÉRIEL NÉCESSAIRE

GFA28DSVN Kit

(Toutes les pièces incluses dans ce kit ou les pièces peuvent être achetées séparément)

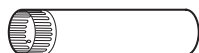
- Panneau d'accès



- Coude métallique 10,2 cm (4 po) de diamètre



- Tuyau métallique 10,2 cm (4 po) de diamètre (recommandé)



- Colliers de conduit 10,2 cm (4 po) (2) ou brides à ressort 10,2 cm (4 po) (2)



- Tuyau métallique souple 10,2 cm (4 po) de diamètre (si nécessaire)



- Ruban de papier d'aluminium



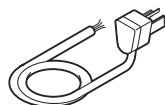
- Évient d'évacuation



- Réducteur de tension en métal (UL)



- Cordon d'alimentation de la sècheuse (non livré avec l'appareil) Conforme à la norme UL 120/240 V, 30 A avec 3 ou 4 broches. Identifiez le type de fiche selon la prise murale de votre domicile avant d'acheter le cordon



Les installations superposées peuvent nécessiter un cordon d'alimentation d'une longueur de d'1,8 m (6 pieds).

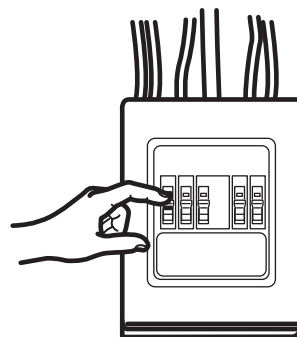
- Gants



- Lunettes de protection



Avant d'effectuer le branchement électrique, déclenchez le disjoncteur ou enlevez le fusible de la sècheuse au panneau de distribution électrique. Assurez-vous que le cordon d'alimentation de la sècheuse est débranché de la prise murale. NE LAISSEZ JAMAIS LE CAPOT DE LA PLAQUE À BORNES ENLEVÉ.



⚠ AVERTISSEMENT - Risque d'électrocution

Débranchez l'alimentation électrique avant la réparation.

Remettez toutes les pièces et panneaux en place avant d'utiliser l'appareil.

L'omission de prendre ces précautions peut provoquer la mort ou l'électrocution.

CORDONS D'ALIMENTATION

GE Appliances recommande vivement l'utilisation de pièces spécifiées par le fabricant. Choisissez un cordon d'alimentation qui correspond aux exigences de votre installation.

REMARQUE : Si le circuit de votre sècheuse est dans un circuit protégé par un interrupteur GFCI, l'installation d'un cordon à 3 fils n'est pas autorisée. Le câblage de la maison et la sècheuse doivent être configurés pour des cordons à 4 fils.

No de pièce	Type	Longueur	Intensité de courant
WX9X2	3-Trifilaire	1,2 m (4 Pied)	30
WX9X3	3-Trifilaire	1,5 m (5 Pied)	30
WX9X4	3-Trifilaire	1,8 m (6 Pied)	30
WX9X18	4-Trifilaire	1,2 m (4 Pied)	30
WX9X19	4-Trifilaire	1,5 m (5 Pied)	30
WX9X20	4-Trifilaire	1,8 m (6 Pied)	30

Consultez votre annuaire local pour un détaillant de pièces autorisé ou appelez-nous au 800.661.1616 ou Electromenagersge.ca/fr/produits/filtres-et-accessoires.

RENSEIGNEMENTS SUR LES RACCORDS ÉLECTRIQUES POUR SÈCHEUSES ÉLECTRIQUES

Pour les branchements électriques utilisant un cordon d'alimentation :

REMARQUE : Si le circuit de votre sècheuse est dans un circuit protégé par un interrupteur GFCI, l'installation d'un cordon à 3 fils n'est pas autorisée. Le câblage de la maison et la sècheuse doivent être configurés pour des cordons à 4 fils.

AVERTISSEMENT - Risque d'incendie

Utilisez un cordon d'alimentation de 240 V 30 ampères homologué UL pour sècheuse avec cosse à anneau fermées ou cosse fermées aux extrémités renversées.

Utilisez un réducteur de tension homologué UL.

Débranchez l'alimentation avant d'effectuer des connexions électriques.

Connectez le fil neutre (le fil blanc ou central) sur la borne centrale.

Le fil de terre (fil vert ou à nu) doit être branché à un connecteur de terre vert.

Connectez les deux autres fils d'alimentation sur les deux bornes correspondantes.

Serrez fermement toutes les connexions électriques.

Remplacez le couvercle du bloc des bornes.

L'omission de prendre ces précautions peut provoquer la mort, l'explosion ou l'incendie.

INSTRUCTIONS DE MISE À LA TERRE

Pour une sècheuse branchée par cordon mis à la terre :

Cette sècheuse doit être mise à la terre. Dans l'éventualité d'un mal fonctionnement ou d'une panne, la mise à la terre réduit le risque de choc électrique en procurant un circuit de moindre résistance au courant électrique. Cette sècheuse utilise un cordon doté d'un conducteur de mise à la terre de l'appareillage et d'une fiche de mise à la terre. La fiche doit être branchée dans une prise compatible correctement installée et mise à la terre conformément à tous les codes et règlements en vigueur.

AVERTISSEMENT  - Une connexion incorrecte du conducteur de mise à la terre de l'appareillage peut poser un risque de choc électrique. Consultez un électricien ou réparateur qualifié si vous doutez que l'appareil soit correctement mis à la terre. **NE** modifiez **PAS** la fiche du cordon d'alimentation. Si elle ne s'insère pas dans la prise, demandez à un électricien agréé de poser une prise appropriée.

CONSERVEZ CES INSTRUCTIONS

AVERTISSEMENT - Risque d'électrocution

POUR ÉVITER LES CHOCS ÉLECTRIQUES, DÉBRANCHEZ L'ALIMENTATION ÉLECTRIQUE AVANT L'ENTRETIEN.

Cette sècheuse doit être connectée à un circuit de dérivation individuel avec un fil de cuivre de calibre 10 minimum à travers un fusible de 30 ampères ou un disjoncteur. **PAS** de fusible sur le fil neutre.

Utilisez uniquement des conducteurs en cuivre.

RENSEIGNEMENTS SUR LES RACCORDS ÉLECTRIQUES POUR SÈCHEUSES ÉLECTRIQUES

Pour les connexions de fil directes :

AVERTISSEMENT - Risque d'incendie

Utilisez un fil de cuivre de calibre 10.

Utilisez un réducteur de tension homologué UL.

Débranchez l'alimentation avant d'effectuer des connexions électriques.

Connectez le fil neutre (le fil blanc ou central) sur la borne centrale.

Le fil de terre (fil vert ou à nu) doit être branché à un connecteur de terre vert.

Connectez les deux autres fils d'alimentation sur les deux bornes correspondantes.

Serrez fermement toutes les connexions électriques.

Remplacez le couvercle du bloc des bornes.

L'omission de prendre ces précautions peut provoquer la mort, l'explosion ou l'incendie.

INSTRUCTIONS DE MISE À LA TERRE

Pour une sècheuse à branchement permanent :

Cette sècheuse doit être connectée à du métal mis à la terre ou à un système de câblage permanent ; ou encore un conducteur de mise à la terre de l'appareillage doit être acheminé avec les conducteurs du circuit et connecté à une borne de mise à la terre de l'appareillage sur l'appareil.

AVERTISSEMENT  - Une connexion incorrecte du conducteur de mise à la terre de l'appareillage peut poser un risque de choc électrique. Consultez un électricien ou réparateur qualifié si vous doutez que l'appareil soit correctement mis à la terre.

CONSERVEZ CES INSTRUCTIONS

AVERTISSEMENT - Risque d'électrocution

POUR ÉVITER LES CHOCS ÉLECTRIQUES, DÉBRANCHEZ L'ALIMENTATION ÉLECTRIQUE AVANT L'ENTRETIEN.

Cette sècheuse doit être connectée à un circuit de dérivation individuel avec un fil de cuivre de calibre 10 minimum à travers un fusible de 30 ampères ou un disjoncteur. **PAS** de fusible sur le fil neutre.

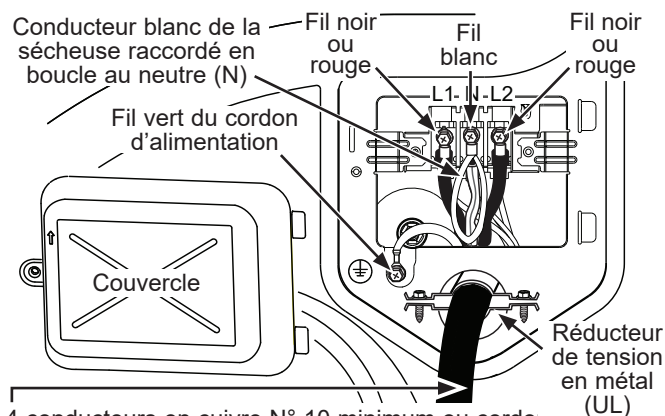
Utilisez uniquement des conducteurs en cuivre.

Instructions d'installation

RACCORDEMENT D'UNE SÈCHEUSE ÉLECTRIQUE

BRANCHEMENT DE LA SÈCHEUSE À L'AIDE D'UN CÂBLE À 4 FILS (À UTILISER POUR L'INSTALLATION DANS UNE MAISON MOBILE)

REMARQUE : Depuis le 1^{er} janvier 1996, le Code national de l'électricité impose aux nouvelles constructions d'utiliser un raccordement à 4 fils pour une sècheuse électrique. Un cordon à 4 fils doit aussi être utilisé lorsque les normes locales n'autorisent pas une mise à la terre via le neutre. Un raccordement à 3 fils NE doit PAS être utilisé dans une nouvelle construction.



4 conducteurs en cuivre N° 10 minimum ou cordon d'alimentation de 120/240 V 30 A pour sècheuse muni de cosses ouvertes ou à anneau (non fourni).

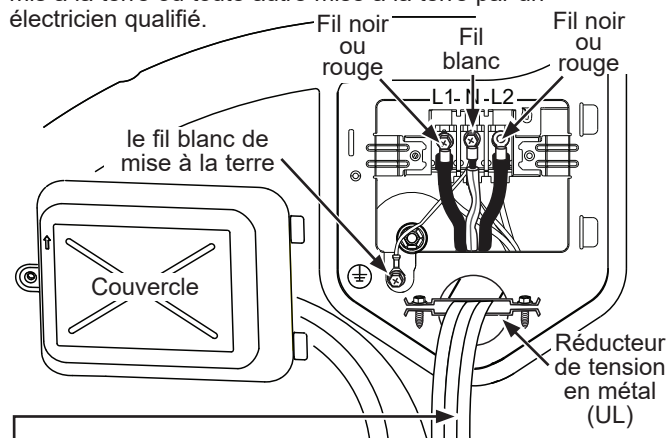
1. Déclenchez le(s) disjoncteur(s) ou retirez le(s) fusible(s) du circuit du tableau électrique.
2. Assurez-vous que le cordon de la sècheuse est débranché de la prise murale.
3. Retirez le couvercle du cordon d'alimentation sur la partie inférieure arrière.
4. Retirez la vis de mise à la terre verte et conservez-la pour une utilisation à l'étape 7. Laissez une extrémité du conducteur blanc libre jusqu'à l'étape 6. Retirez la vis centrale (marquée N) dans la plaque à bornes.
5. Placez le réducteur de tension en métal homologué UL sur le trou d'entrée du cordon d'alimentation. Passez le cordon d'alimentation à travers le réducteur de tension en métal.
6. Connectez le cordon d'alimentation comme suit :
 - A. Connectez les 2 fils sous tension aux vis extérieures de la plaque à bornes (L1 et L2).
 - B. Branchez le fil neutre (blanc) et l'extrémité neutre du conducteur blanc court au centre de la plaque à bornes (marqué N).
7. Fixez le fil de mise à la terre du cordon d'alimentation avec la vis de mise à la terre verte (trou à gauche du réducteur de tension). Serrez toutes les vis de la plaque à bornes (3) fermement.
8. Fixez correctement le cordon d'alimentation au réducteur de tension.
9. Réinstallez le couvercle.

NE LAISSEZ JAMAIS LE COUVERCLE ENLEVÉ DE LA PLAQUE À BORNES.

RACCORDEMENT DE LA SÈCHEUSE À L'AIDE D'UN CÂBLE À 3 FILS

REMARQUE : Si le circuit de votre sècheuse est dans un circuit protégé par un interrupteur GFCI, l'installation d'un cordon à 3 fils n'est pas autorisée. Le câblage de la maison et la sècheuse doivent être configurés pour des cordons à 4 fils.

Faites installer, si le code local l'exige, une mise à la terre externe (non fournie) sur un tuyau d'eau froide métallique mis à la terre ou toute autre mise à la terre par un électricien qualifié.



3 conducteurs en cuivre N° 10 minimum ou cordon d'alimentation de 120/240 V 30 A pour sècheuse muni de cosses ouvertes ou à anneau (non fourni).

Connexion à 3 fils

- Ne peut pas être utilisée au Canada.
Ne peut pas être utilisée dans une maison mobile.
Ne peut pas être utilisée dans les nouvelles constructions.
Ne peut pas être utilisée dans les véhicules récréatifs.
Ne peut pas être utilisée dans les régions où les codes locaux interdisent la mise à la terre par le biais du câble neutre.
1. Déclenchez le(s) disjoncteur(s) ou retirez le(s) fusible(s) du circuit du tableau électrique.
 2. Assurez-vous que le cordon de la sècheuse est débranché de la prise murale.
 3. Retirez le couvercle de cordon d'alimentation qui se trouve sur la partie inférieure arrière.
 4. Placez le réducteur de tension en métal homologué UL sur le trou d'entrée de cordon d'alimentation. Passez le cordon d'alimentation à travers le réducteur de tension en métal.
 5. Connectez le cordon d'alimentation comme suit :
 - A. Connectez les 2 fils sous tension aux vis extérieures de la plaque à bornes (L1 et L2).
 - B. Connectez le fil neutre (blanc) au centre de la plaque à bornes (N).
 6. Assurez-vous que le fil blanc de mise à la terre est connecté à la vis de mise à la terre verte à l'arrière de la sècheuse. Serrez toutes les vis de la plaque à bornes (3) fermement.
 7. Fixez le cordon d'alimentation dans le réducteur de tension.
 8. Réinstallez le couvercle.

NE LAISSEZ JAMAIS LE COUVERCLE ENLEVÉ DE LA PLAQUE À BORNES.

Instructions d'installation

ÉVACUATION DE LA SÈCHEUSE

⚠ AVERTISSEMENT



- Risque d'incendie

L'air de la sècheuse DOIT être évacué vers l'extérieur. Utilisez seulement des tuyaux métalliques rigides de 10,2 cm (4 po) pour le conduit d'évacuation du domicile.

Pour raccorder votre sècheuse au tuyau d'évacuation de la maison, utilisez seulement un conduit de transition de 10,2 cm (4 po) d'un des types suivants : métallique rigide, métallique flexible homologué UL ou en aluminium pour sècheuse homologué UL.

AUCUN plastique ne doit composer le conduit d'évacuation de la maison, le conduit de transition de la sècheuse, ni se trouver à l'intérieur de la sècheuse.

Le conduit d'évacuation de la maison **NE** doit **PAS** se trouver à l'intérieur de la sècheuse, ni être en métal flexible ou en aluminium.

Ne dirigez **PAS** l'évacuation dans une cheminée, la hotte de cuisine, un évent à gaz, un mur, un plafond, un comble, un vide sanitaire ou un espace dissimulé d'un bâtiment.

N'installez **PAS** un grillage dans ou par-dessus le conduit d'échappement.

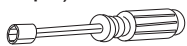
N'installez **PAS** un ventilateur d'appoint dans le tuyau de ventilation.

N'utilisez **PAS** un conduit dont la longueur dépasse celle spécifiée dans le tableau des longueurs d'échappement.

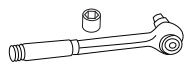
L'omission d'observer ces directives peut entraîner le décès ou l'incendie.

OUTILS ET MATÉRIEL NÉCESSAIRES À L'INSTALLATION DU CONDUIT D'ÉVACUATION

6,4 mm (1/4 po) Douille et tournevis



6,4 mm (1/4 po) Douille et clé



Ruban de papier d'aluminium ou colliers pour conduit



Évent d'évacuation



PIÈCES DISPONIBLES DE GEAPPLIANCES.COM OU D'ENTREPRISES DE LOCAUX

GFA28DSVN (WE16X29317)	Sècheuse - Kit de ventilation
PM8X85	Hotte extérieure de ventilation
WX08X10130	Pince de serrage pour conduits de 10,2 cm (4 po) pour sècheuses

BRANCHEMENT DE LA SÈCHEUSE À L'ÉVENT DU DOMICILE

CONDUIT DE TRANSITION EN MÉTAL RIGIDE

- Pour une meilleure efficacité de séchage, un conduit de transition en métal rigide est recommandé.
- Les conduits de transition en métal rigide réduisent le risque d'écrasement et de pliure.

CONDUIT DE TRANSITION EN MÉTAL FLEXIBLE (SEMI-RIGIDE) HOMOLOGUÉ UL

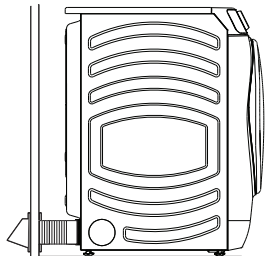
- Si un conduit métallique rigide ne peut être utilisé, alors un conduit métallique flexible semi-rigide homologué UL peut être employé (ensemble PM08X10085).
- N'installez jamais un conduit métallique flexible dans des murs, des plafonds, des planchers ou d'autres espaces restreints.
- La longueur totale du conduit métallique flexible ne doit pas dépasser 2,4 m (8 pi).
- Pour de nombreuses applications, l'installation de coudes aussi bien à la sècheuse qu'au mur est vivement recommandée (voir les illustrations à droite). Les coudes permettent à la sècheuse de reposer près du mur sans plier ni écraser le conduit de transition, optimisant ainsi l'efficacité du séchage.
- Évitez de faire reposer le conduit sur des objets coupants.

CONDUIT DE TRANSITION EN MÉTAL FLEXIBLE (TYPE EN FEUILLE) HOMOLOGUÉ UL

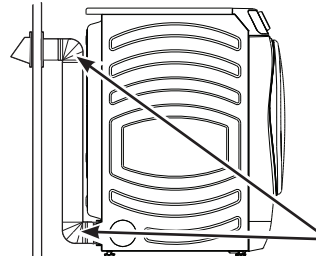
- Dans des installations spéciales, il peut être nécessaire de brancher la sècheuse à l'évent du domicile à l'aide d'un conduit métallique flexible (type en feuille). Le conduit de transition flexible pour sècheuses approuvé par UL (pièce de GE Appliances - PM8X73 ou WX8X73) peut être utilisé seulement dans des installations où le conduit en métal rigide où les conduits métalliques rigides ou flexibles (semi-rigides) ne peuvent pas être employés ET où un diamètre de 10,2 cm (4 po) peut être conservé sur toute la longueur du conduit de transition.
- Au Canada et aux États-Unis, seuls les conduits métalliques flexibles (type en feuille) qui sont conformes à la norme 2158A « **Outline for Clothes Dryer Transition Duct Subject** » doivent être utilisés.
- Évitez de faire reposer le conduit sur des objets coupants.
- Pour une meilleure efficacité de séchage :
 1. Glissez une des extrémités du conduit par-dessus le conduit de sortie de la sècheuse.
 2. Fixez le conduit à l'aide d'une bride.
 3. Sècheuse dans sa position permanente, déployez le conduit à sa pleine longueur. Laissez un recouvrement de 5 cm (2 po) du conduit sur le conduit d'évacuation. Coupez et retirez la longueur de conduit en surplus. Gardez le conduit aussi droit que possible pour obtenir une circulation d'air maximale.
 4. Fixez le conduit sur le conduit d'évacuation à l'aide de l'autre bride.

Instructions d'installation

ÉVACUATION DE LA SÈCHEUSE (suite)



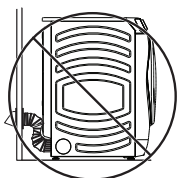
- **COUPEZ** le conduit aussi court que possible et installez-le droit vers le mur.



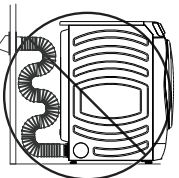
- **UTILISEZ** des coudes lorsque des changements de direction sont nécessaires.

Coudes

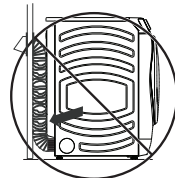
- **N'ÉCRASEZ PAS** ou ne pliez pas le conduit. Utilisez des coudes lorsque des changements de direction sont nécessaires.



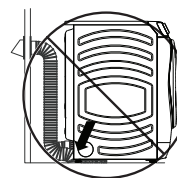
- **N'UTILISEZ PAS** une longueur excessive de conduit. Coupez le conduit aussi court que possible.



- **N'ÉCRASEZ PAS** le conduit contre le mur.



- **N'INSTALLEZ PAS** la sècheuse sur le conduit.



LONGUEUR DU TUYAU D'ÉCHAPPEMENT

Utilisez des tuyaux d'échappement plus long que ce qui est spécifié aura comme conséquence :

- Augmentera les temps de séchage et les coûts d'énergie.
- Réduira la durée de vie de la sècheuse.
- Accumulation de la charpie, créant un danger potentiel de feu.


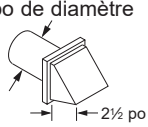
L'installation correcte du tuyau est VOTRE RESPONSABILITÉ.

Les problèmes causés par une mauvaise installation ne sont pas couverts par la garantie.

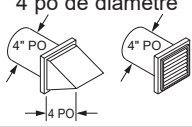
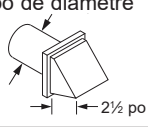
La longueur du système d'échappement MAXIMUM PERMISE dépend du type de conduits, du nombre de tours, du type de couvert de tuyau d'échappement (couvert mural) et de toutes les conditions mentionnées sur la carte.

- Les coudes intérieurs ajoutés pour les conversions d'évent latérales ou inférieures doivent être inclus dans le calcul total de coude.
- Tout coude dont l'angle est supérieur à 45° doit être considéré comme un coude de 90°.
- Deux coudes de 45° devront être considérés comme un coude de 90°. Un angle de 45° ou moins peut être ignoré.
- Pour la ventilation latérale, ajouter un coude de 90° au tableau.
- Pour chaque coude additionnel de 90°, réduire de 3 m (10 pieds) la longueur totale permise du système de ventilation.
- Lors du calcul de la longueur totale du système de ventilation, vous devez ajouter toutes les portions droites et coudes du système (y compris le conduit de transition).

LONGUEUR DE TUYAU D'ÉCHAPPEMENT POUR MODÈLES À ÉVENT NORMAL

LONGUEUR MAXIMUM RECOMMANDÉ		
Types de couverts de tuyau d'échappement		
	Recommandé	Utilisation pour des installations de courte durée seulement
	4 po de diamètre 	4 po de diamètre 
Nombre de Coudes à 90°	Métal rigide	Métal rigide
0	27,4 m (90 Pieds)	18,3 m (60 Pieds)
1	18,3 m (60 Pieds)	13,7 m (45 Pieds)
2	13,7 m (45 Pieds)	10,7 m (35 Pieds)
3	10,7 m (35 Pieds)	7,6 m (25 Pieds)
4	7,6 m (25 Pieds)	4,6 m (15 Pieds)

LONGUEUR DE TUYAU D'ÉCHAPPEMENT POUR MODÈLES À ÉVENT LONG

LONGUEUR MAXIMUM RECOMMANDÉ		
Types de couverts de tuyau d'échappement		
	Recommandé	Utilisation pour des installations de courte durée seulement
	4 po de diamètre 	4 po de diamètre 
Nombre de Coudes à 90°	Métal rigide	Métal rigide
0	61 m (200 Pieds)	53,3 m (175 Pieds)
1	56,4 m (185 Pieds)	50,3 m (165 Pieds)
2	53,3 m (175 Pieds)	47,2 m (155 Pieds)
3	50,3 m (165 Pieds)	44,2 m (145 Pieds)
4	47,2 m (155 Pieds)	41,1 m (135 Pieds)
5	44,2 m (145 Pieds)	38,1 m (125 Pieds)

Instructions d'installation

ÉVACUATION DE LA SÈCHEUSE (suite)

LISTE DE VÉRIFICATION DU SYSTÈME D'ÉVACUATION

ÉVÈNT MURAL

- Terminez le conduit de façon à éviter les retours d'air ou l'entrée d'oiseaux ou d'autres animaux.
- La terminaison doit présenter une résistance minimale au flux d'air évacué et nécessiter peu ou pas de maintenance pour empêcher les obstructions.
- Les évènements muraux doivent être installés à au moins 30,5 cm (12 po) au-dessus du niveau du sol ou toute autre obstruction avec l'ouverture dirigée vers le bas.

SÉPARATIONS DES COUDES

- Pour de meilleures performances, séparez tous les coudes par un conduit droit d'au moins 1,2 m (4 pieds), y compris sur la distance entre le dernier coude et le couvert du tuyau d'échappement.

ÉTANCHÉITÉ DES JOINTS

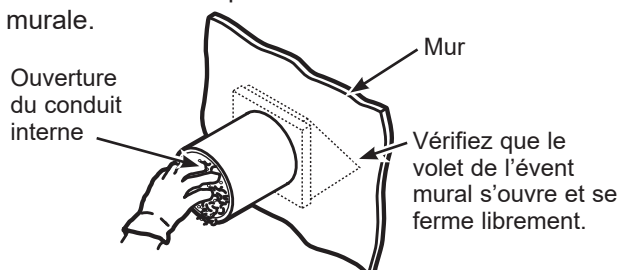
- Tous les joints doivent être serrés pour éviter les fuites. L'extrémité mâle de chaque section du conduit doit être dirigée vers l'extérieur par rapport à la sècheuse.
- Les joints de conduit doivent être étanches à l'air et à la poussière, recouverts de ruban de papier d'aluminium.
- N'assemblez pas les conduits avec des fixations qui pénètrent dans le conduit. Elles serviraient de point de collecte pour la charpie.
- Les conduits horizontaux doivent être inclinés vers l'extérieur de 6,4 mm (1/4 po) par pied de longueur.
- Prévoyez libre un accès pour l'inspection et le nettoyage du système d'évacuation, notamment pour les coudes. Inspectez et nettoyez le système au moins une fois par an.

ISOLATION

- Les conduits qui traversent une zone non chauffée ou situés à proximité d'un climatiseur doivent être isolés pour réduire la condensation et la création de charpie.

AVANT DE COMMENCER

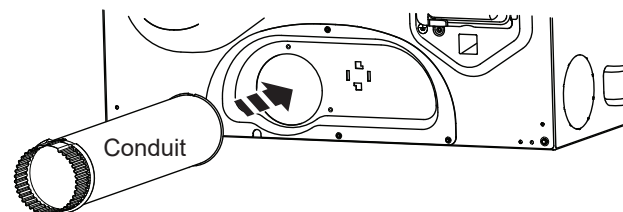
- Enlevez et jetez le conduit d'évacuation existant s'il est fait de plastique ou de métal souple, et remplacez-le par un conduit d'évacuation listé par UL.
- Enlevez toute charpie de l'ouverture d'évacuation murale.



ÉVACUATION ARRIÈRE STANDARD

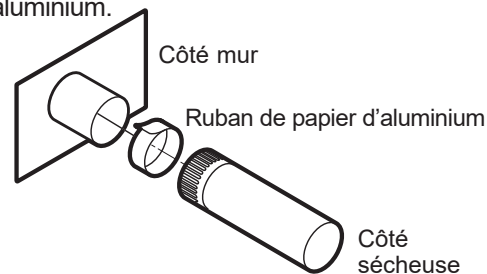
Nous vous recommandons d'installer votre sècheuse avant d'installer votre laveuse. Cela permettra un accès direct pour faciliter le raccordement de l'évacuation.

Insérez l'extrémité du conduit d'évacuation sur le raccord arrière de la sècheuse et fixez-la avec du ruban de papier d'aluminium ou un collier de fixation.



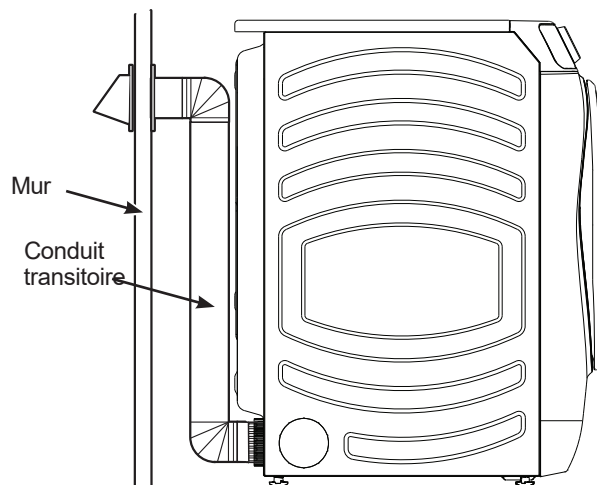
REMARQUE : Nous vous recommandons fortement d'utiliser un conduit d'évacuation rigide et en métal. Si les conduits flexibles de métal sont installés, ils doivent être homologué UL, pas de plastique.

- Pour une installation droite, raccordez le conduit d'évacuation de la sècheuse au mur l'aide de ruban de papier d'aluminium.



CONFIGURATION RECOMMANDÉE POUR MINIMISER UN BLOCAGE DU CONDUIT

L'utilisation de coudes empêchera les conduits de se déformer et de s'écraser.



Instructions d'installation

ÉVACUATION DE LA SÈCHEUSE (suite)

ÉVACUATION LATÉRALE

⚠ AVERTISSEMENT - Risque d'incendie

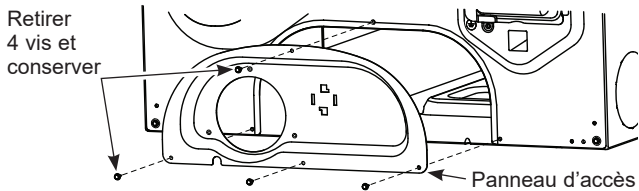
Débranchez la sècheuse de l'alimentation électrique.

Portez des gants et des protège-bras.

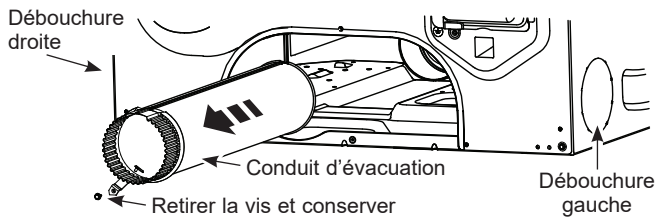
Fermez l'ouverture arrière par le panneau d'accès inclus dans kit GFA28DSVN.

L'omission de prendre ces précautions peut causer des incendie, chocs électriques ou des lacérations.

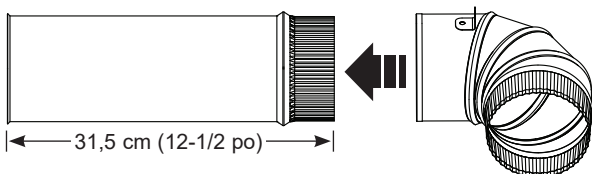
- Retirez 4 vis qui fixent le panneau d'accès et conservez-les. Retirez le panneau d'accès.



- Détachez et retirez les débouchures droite et gauche selon le besoin. Retirez la vis qui fixe le conduit d'évacuation et conservez-la. Tirez le conduit d'évacuation pour le dégager de la sècheuse.

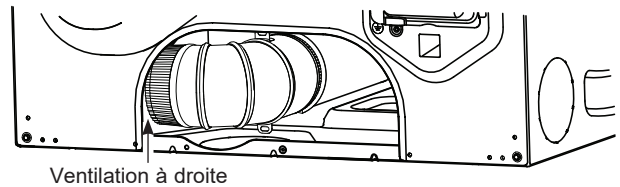
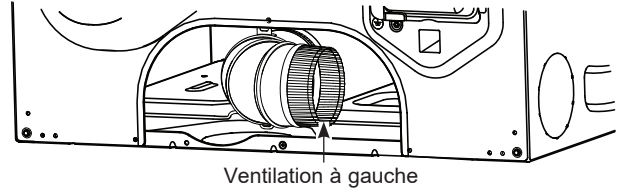


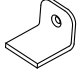
- Dans kit, repérez le conduit d'évacuation 31,5 cm (12-1/2 po) et le conduit en coude et assemblez-les. Appliquez du ruban de papier d'aluminium à conduits autour du joint afin d'empêcher les fuites entre les conduits.

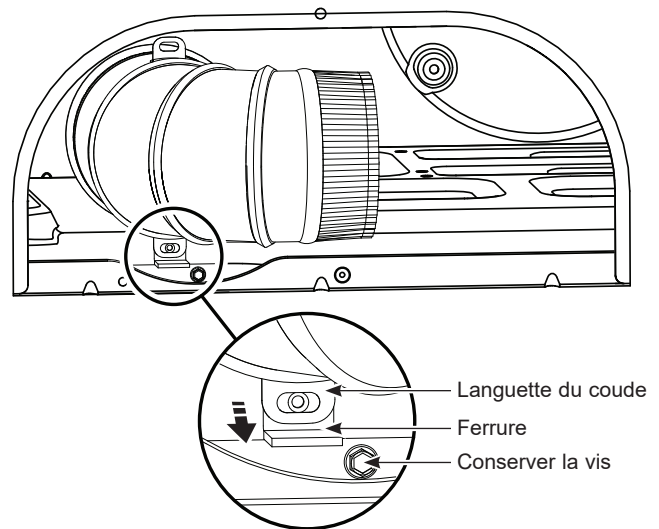


ÉVACUATION LATÉRALE (suite)

- Insérez et connectez l'assemblage conduit d'évacuation/coude sur le boîtier de la soufflante et orientez le coude pour une ventilation vers la gauche ou la droite.



- Repérez la ferrure dans le kit. 
- Retirez la doublure adhésive dans le bas de la ferrure et placez la ferrure derrière la languette du coude.
- Poussez fermement pour fixer la ferrure sur le bas de la sècheuse.



- À l'aide d'une vis retirée plus tôt, fixez la languette du coude sur la ferrure.

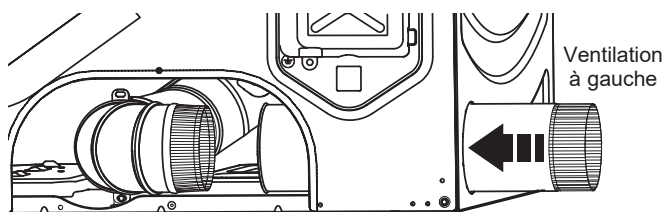
Instructions d'installation

ÉVACUATION DE LA SÈCHEUSE (suite)

ÉVACUATION LATÉRALE (suite)

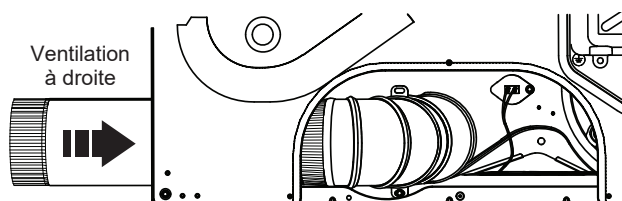
Pour une ventilation à **GAUCHE** :

- Repérez le conduit d'évacuation 39,4 cm (15-1/2 po) dans kit.
- Insérez le conduit d'évacuation à travers la débouchure du côté **GAUCHE** de la sècheuse.
- Assemblez le conduit d'évacuation et le coude.
- Enveloppez le joint avec du ruban de papier d'aluminium à conduits pour empêcher les fuites.

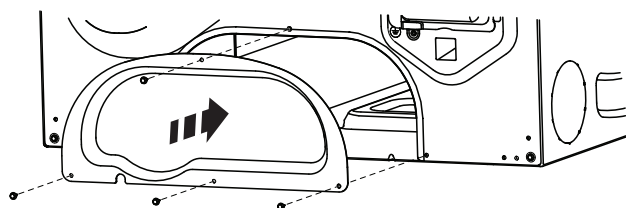


Pour une ventilation à **DROITE** :

- Repérez le conduit d'évacuation 24,2 cm (9-1/2 po) dans trousse.
- Insérez le conduit d'évacuation à travers la débouchure du côté **DROIT** de la sècheuse.
- Assemblez le conduit d'évacuation et le coude.
- Enveloppez le joint avec du ruban de papier d'aluminium à conduits pour empêcher les fuites.



- Installez le nouveau panneau d'accès de kit.
- Fixez le panneau d'accès à l'aide de 4 conservées plus tôt.



ÉVACUATION LATÉRALE OU PAR LE DESSOUS.

ÉVACUATION PAR LE DESSOUS

Conduit d'évacuation par le bas de la carrosserie pour les modèles au gaz et électriques **SANS** socle (Pedestal™) intégré.

⚠ AVERTISSEMENT  - Risque d'incendie

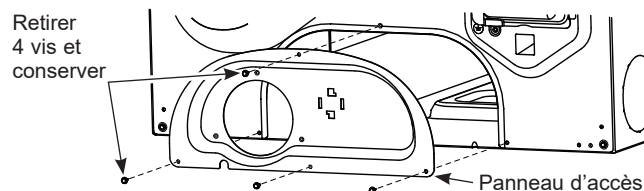
Débranchez la sècheuse de l'alimentation électrique.

Portez des gants et des protège-bras.

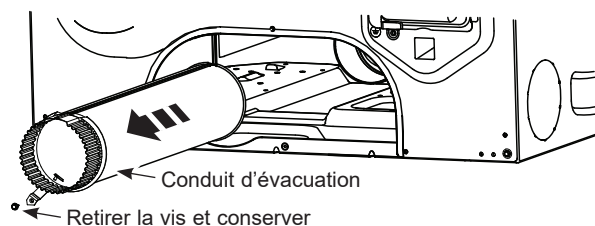
Fermez l'ouverture arrière par le panneau d'accès inclus dans kit GFA28DSVN.

L'omission de prendre ces précautions peut causer des incendie, chocs électriques ou des lacérations.

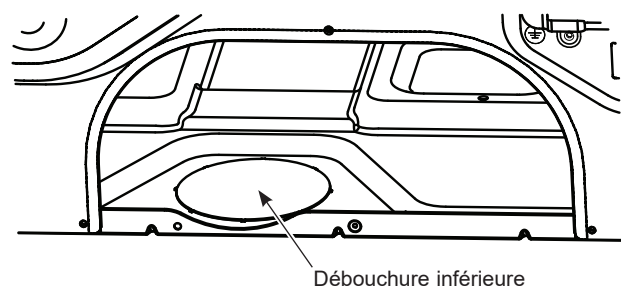
- Retirez 4 vis qui fixent le panneau d'accès et conservez-les. Retirez le panneau d'accès.



- Retirez la vis qui fixe le conduit d'évacuation et conservez-la. Tirez le conduit d'évacuation pour le dégager de la sècheuse.



- Détachez et retirez la débouchure inférieure.

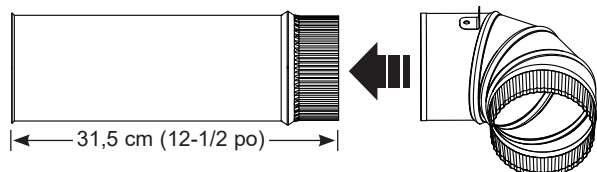


Instructions d'installation

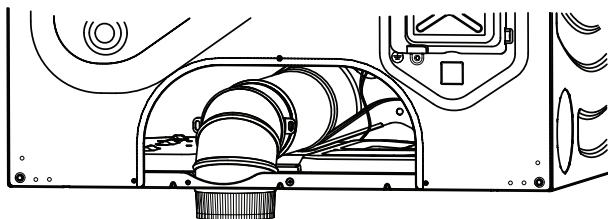
ÉVACUATION DE LA SÈCHEUSE (suite)

ÉVACUATION PAR LE DESSOUS (suite)

- Dans trousse, repérez le conduit d'évacuation 31,5 cm (12-1/2 po) et le conduit en coude et assemblez-les. Appliquez du ruban de papier d'aluminium à conduits autour du joint afin d'empêcher les fuites entre les conduits.

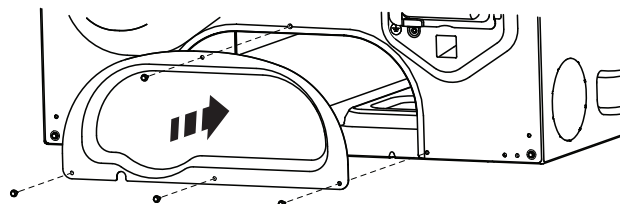


- Insérez et connectez l'assemblage conduit d'évacuation/coude sur le boîtier de la soufflante et orientez le coude à travers la débouchure inférieure.



ÉVACUATION PAR LE DESSOUS (suite)

- Installez le nouveau panneau d'accès de kit.
- Fixez le panneau d'accès à l'aide de 4 conservées plus tôt.



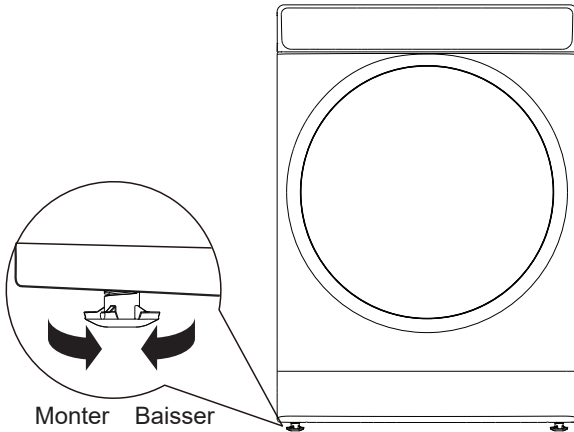
ÉVACUATION LATÉRALE OU PAR LE DESSOUS.

Instructions d'installation

INSTALLATION FINALE

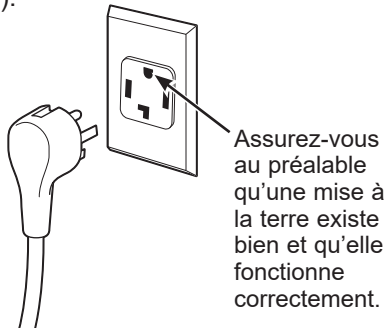
1 METTEZ LA SÉCHEUSE DE NIVEAU

Placez la sécheuse à proximité de l'emplacement final. Réglez les quatre pattes de nivellement pour la mettre de niveau de gauche à droite, et de l'avant vers l'arrière.



2 BRANCHEZ LA SÉCHEUSE

NOTE : Les installations superposées peuvent nécessiter un cordon d'alimentation d'une longueur de d'1,8 m (6 pieds).



3 DÉMARRAGE DE LA SÉCHEUSE

Appuyez sur la touche **Power** (Alimentation).



REMARQUE : Si la sécheuse a été exposée à des températures inférieures au point de congélation pendant une période prolongée, laissez-la se réchauffer avant d'appuyer sur **Power** (Alimentation). Sinon, l'écran ne s'allumera pas.

La sécheuse est maintenant prête à l'emploi.

⚠ AVERTISSEMENT - Risque d'électrocution

Débranchez l'alimentation électrique avant la réparation.

Remettez toutes les pièces et panneaux en place avant d'utiliser l'appareil.

L'omission de prendre ces précautions peut provoquer la mort ou l'électrocution.

⚠ AVERTISSEMENT - Risque d'électrocution

Certaines pièces internes sont intentionnellement non mises à la terre et peuvent présenter un risque de choc électrique lors d'un entretien.

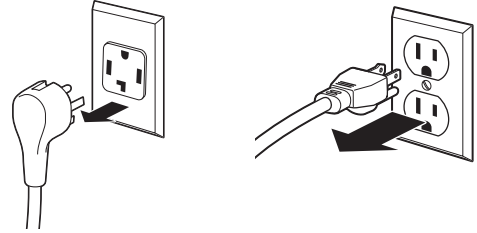
Personnel de réparateur – NE PAS toucher aux composants suivants lorsque l'appareil est sous tension : valve d'eau, interrupteur de porte, carte électronique, allumeur, thermostats, détecteur de flamme.

Instructions d'installation

INVERSION DE L'OUVERTURE DE LA PORTE (Optionnel)

AVANT DE COMMENCER

Débranchez la sècheuse de sa prise électrique.



OUTILS NÉCESSAIRES

Tournevis cruciforme



Tournevis torx T-25



à douille 6,4 mm (1/4 po)

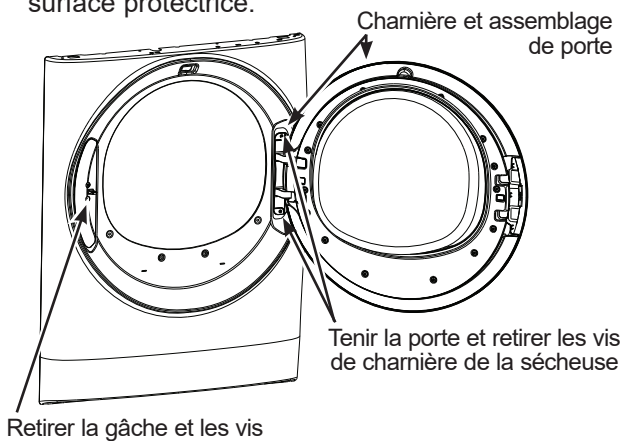


REMARQUES IMPORTANTES

- Manipulez les pièces avec soin afin d'éviter d'abîmer la peinture.
- Prévoyez une surface non abrasive pour les portes.
- Posez les vis à côté de leurs pièces respectives afin d'éviter de les utiliser aux mauvais endroits.
- Après avoir commencé, ne déplacez pas la sècheuse avant que l'inversion de l'ouverture de la porte n'ait été effectuée.
- Ces instructions permettent de transférer les charnières du côté droit vers le côté gauche. Si vous souhaitez les réinstaller du côté droit, veuillez suivre ces mêmes instructions et inversez toutes les références aux termes gauche et droite.

1 RETIREZ LA GÂCHE ET L'ASSEMBLAGE DE PORTE

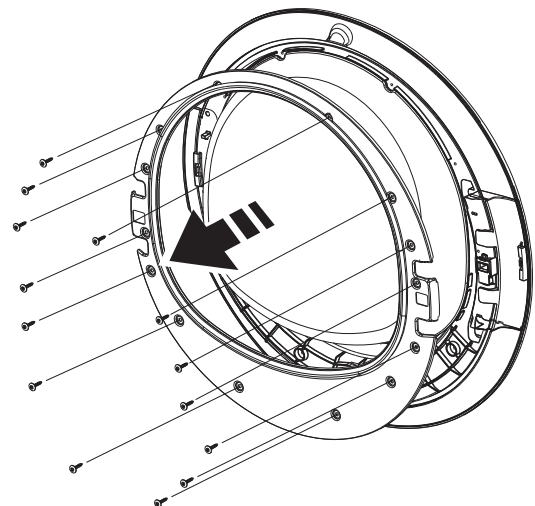
- Ouvrez la porte de la sècheuse.
- Retirez les deux vis de la gâche à l'aide d'un tournevis Torx T-25.
- Retirez la gâche et la mettre de côté.
- Tout en supportant la porte, retirez les deux vis de la charnière dans la face de la sècheuse à l'aide d'un tournevis à douille 6,4 mm (1/4 po).
- Soulevez l'assemblage de porte pour le retirer de la face de la sècheuse et la mettre de côté sur une surface protectrice.



2 RETIREZ LA PORTE INTÉRIEURE

- Retirez les 14 vis du cadre de la porte intérieure à l'aide d'un tournevis à tête cruciforme et les mettre de côté.
- Retirez le cadre de la porte intérieure de la porte extérieure.

REMARQUE : Ne retirez pas le joint d'étanchéité du cadre de la porte intérieure.

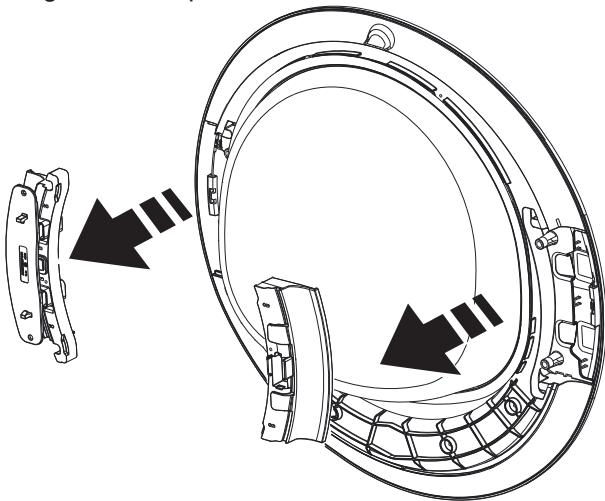


Instructions d'installation

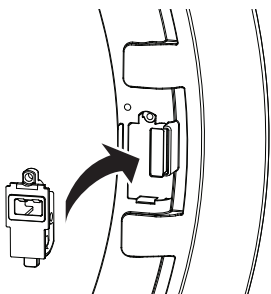
INVERSION DE L'OUVERTURE DE LA PORTE (Optionnel)

3 RETIREZ, TOURNEZ ET REPLACEZ LA POIGNÉE ET LA CHARNIÈRE SUR LES CÔTÉS OPPOSÉS

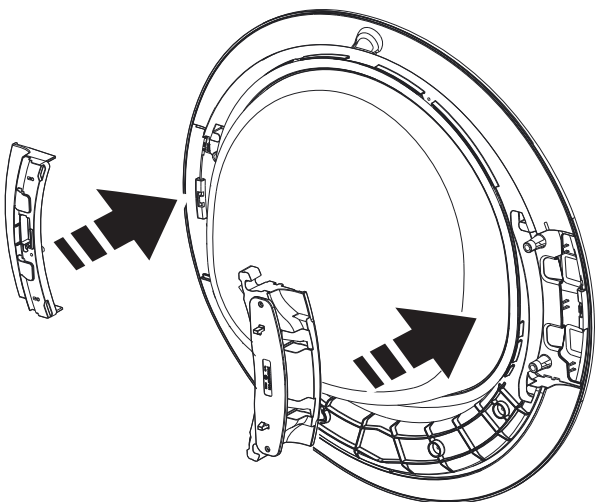
- Soulevez la poignée et la charnière hors des logements de porte.



REMARQUE : Assurez-vous que le loquet demeure en place à l'intérieur de la poignée. S'il bouge ou tombe, remettez-le en place.



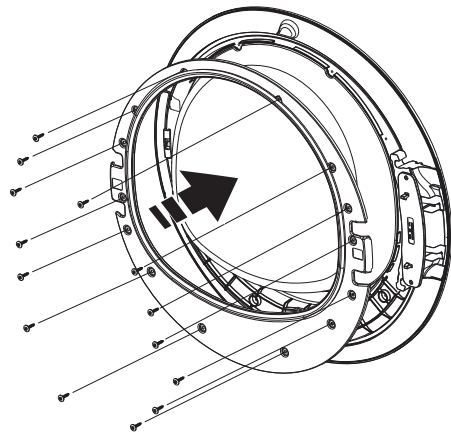
- Tournez la poignée et la charnière et replacez-les dans les logements des côtés opposés.



4 REPLACEZ LA PORTE INTÉRIEURE

- Replacez le cadre de la porte intérieure dans la porte extérieure.
- Replacez les 14 vis dans la porte intérieure à l'aide d'un tournevis à tête cruciforme pour la fixer à la porte extérieure.

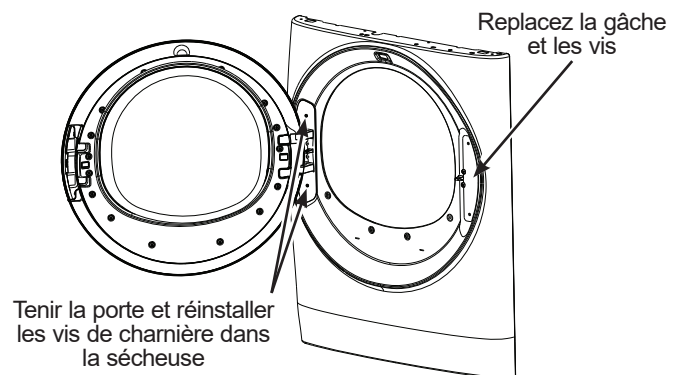
REMARQUE : Assurez-vous que le joint d'étanchéité est correctement placé sur le cadre de la porte intérieure lorsque vous le remettez en place.



5 REPLACEZ LA PLAQUE-COUVERCLE ET L'ASSEMBLAGE DE PORTE

- Sur le côté opposé d'où elle a été retirée, replacez la plaque-couvercle avec ses deux vis à l'aide d'un tournevis Torx T-25.
- Soulevez l'assemblage de porte en place et fixez-le sur la face de la sècheuse avec ses deux vis à l'aide d'un tournevis à douille 6,4 mm (1/4 po).
- Fermez la porte de la sècheuse.

REMARQUE : Assurez-vous que la porte s'ouvre et se ferme correctement. Si ce n'est pas le cas, répétez toutes les étapes en vous assurant que le joint d'étanchéité, toutes les pièces et les vis sont installées solidement.



Instructions d'installation

COMMENT SUPERPOSER LA SÈCHEUSE À LA LAVEUSE (optionnel)

Si vous envisagez de superposer une sècheuse et une laveuse, commandez la Trousse de Superposition **GFA28KITN** à utiliser avec cette sècheuse. La trousse est vendue séparément.

AVANT DE COMMENCER

Lisez attentivement ces instructions dans leur intégralité.

- **IMPORTANT** – Gardez ces instructions pour l'usage de l'inspecteur électrique local.
- **IMPORTANT** – Observez toutes les réglementations et ordonnances en vigueur.
- **Remarque pour l'installateur** – Assurez-vous de laisser ces instructions au client.
- **Remarque pour le consommateur** - Gardez ces instructions à titre de référence ultérieure.
- L'installation de la sècheuse **doit** être effectuée par un installateur qualifié.
- La responsabilité d'installer correctement l'appareil relève de l'installateur.

Placez la sècheuse seulement sur la laveuse. Ne placez pas la laveuse sur la sècheuse, la laveuse sur une autre laveuse, ou une sècheuse sur une autre sècheuse.

Ne modifiez pas cette trousse d'installation. Toute modification annulera la garantie de ce produit.

⚠ AVERTISSEMENT Coupez l'alimentation électrique avant de procéder à l'installation. Vous risquez de vous blesser gravement si vous ne le faites pas.

⚠ AVERTISSEMENT  - **Risque lié au poids excessif**

- La participation de deux personnes ou plus est nécessaire pour installer la sècheuse.
 - Évitez le basculement et le débranchement des services publics.
 - La sècheuse doit être correctement fixée à la laveuse.
 - **NE** placez **PAS** la laveuse au dessus de la sècheuse.
- L'omission de prendre cette précaution peut causer des blessures graves, la mort ou des dommages matériels.

Maison mobile ou préfabriquée Installation – La superposition d'une sècheuse au gaz dans une maison mobile ou préfabriquée n'est pas autorisée.

COMMENT PRÉPARER L'INSTALLATION

Retirez l'emballage.

Aplatissez le carton pour l'utiliser comme cale pour coucher la sècheuse sur le dos or sur le côté. Utilisez le carton pour protéger également le sol en face de l'endroit choisi pour l'installation.

EXIGENCES RELATIVES À UNE INSTALLATION ENCASTRÉE

⚠ AVERTISSEMENT  - **Risque d'explosion**

Gardez les matières et les vapeurs inflammables telles que l'essence à distance de la sècheuse. Placez la sècheuse à au moins 46 cm (18 po) au-dessus du sol dans le cas d'une installation dans un garage. L'omission de prendre ces précautions peut provoquer la mort, l'explosion ou l'incendie.

- L'air de la sècheuse **DOIT** être évacué vers l'extérieur.
 - L'espace minimum entre la sècheuse et les murs adjacents ou d'autres surfaces est le suivant:
 - 0 cm (0 po) des deux côtés*
 - 0 cm (0 po) avant
 - 0 cm (0 po) arrière
 - 0 cm (0 po) haut
 - L'arrière de la sècheuse doit faire face à un mur.
 - Il faut veiller à procurer le dégagement nécessaire à l'installation et aux interventions de service.
 - Les portes du placard doivent être perforées ou bien ventilées et disposer d'au moins 387 cm² (60 pouces carrés) d'espace. Si le placard abrite une laveuse et une sècheuse, les portes doivent disposer de 774 cm² (120 pouces carrés) au minimum d'espace ouvert.
- REMARQUE** : SI LE TUYAU D'ÉVACUATION EST SITUÉ À L'ARRIÈRE DE LA SÈCHEUSE, LA CONFIGURATION DU TUYAU POURRAIT DEMANDER UN DÉGAGEMENT EN ARRIÈRE PLUS GRAND.

Sêcheuses à gaz seulement :

- Aucun autre appareil alimenté au carburant ne doit être installé dans le même placard qu'une sècheuse à gaz.
- La sècheuse doit être débranchée de la conduite d'alimentation en gaz lors des essais de pression lorsque celle-ci est supérieure à 1/2 psi (3,5 kPa).
- Un connecteur obturé d'un minimum de 3,2 mm (1/8 po) NPT, accessible pour la connection de l'instrument de mesure, doit être posé tout juste en amont de la connection de l'alimentation en gaz de la sècheuse.

DÉGAGEMENTS MINIMUMS AUTRES QUE POUR UNE INSTALLATION ENCASTRÉE

Les dégagements minimums par rapport aux surfaces inflammables et pour l'orifice d'aération sont les suivants : 0 cm (0 po) des deux côtés*, 0 cm (0 po) à l'arrière et 0 cm (0 po) haut.

L'arrière de la sècheuse doit faire face à un mur.






Veillez à prévoir des dégagements suffisants pour toute installation et réparation.

*Pour améliorer la performance, un dégagement de 12,7 mm (1/2 po) est suggéré de chaque côté.

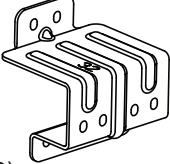
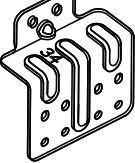


Instructions d'installation

COMMENT SUPERPOSER LA SÈCHEUSE À LA LAVEUSE (Kit optionnel GFA28KITN)

OUTILS NÉCESSAIRES

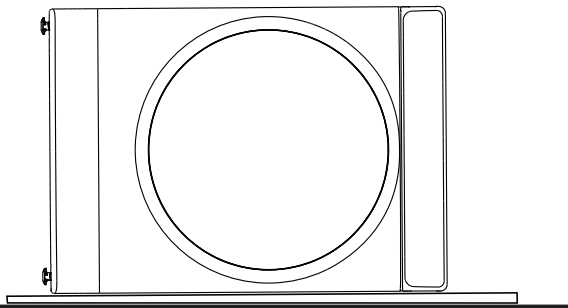
- Tournevis cruciforme 
- Pince 
- Clé à fourche 
- Gants 
- Niveau 

LES CONTENUS

- Support 32 (2) 
- Support 34 (2) 
- Espaceur (2) 
- #8 12,7 mm (1/2 po) VIS (16) 

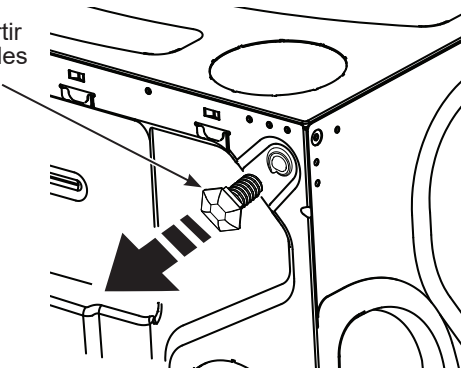
1 COMMENT RETIRER LES PATTES DE NIVELLEMENT DE LA SÈCHEUSE

- A. Posez avec précaution la sècheuse sur le dos or sur le côté. Utilisez le matériau d'emballage de manière à ne pas égratigner le fini de la sècheuse.



- B. Utilisez une clé à fourche ou une pince pour retirer les pattes de la sècheuse. **NOTE** : Conservez les pattes pour une utilisation ultérieure.

Faites sortir et retirez les 4 pattes



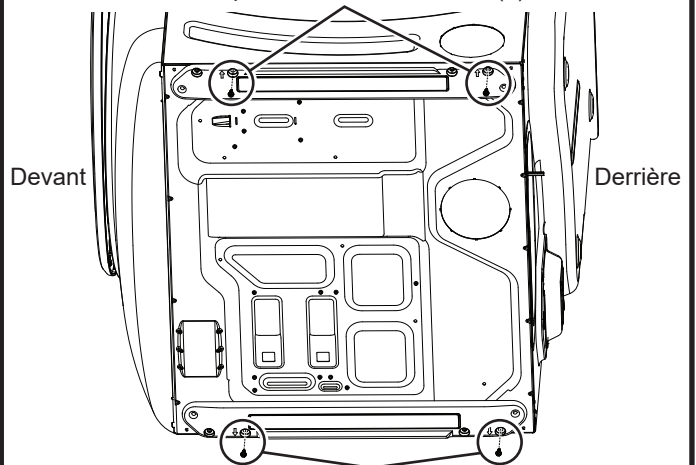
2 INSTALLATIONS DES PATINS AU BAS DE LA SÈCHEUSE

Placez un espaceur en dessous en alignant ses trous avec les trous de la patte de nivellement. Fixez l'espaceur en utilisant deux (2) vis. Fixez l'autre espaceur de l'autre côté en utilisant deux (2) vis. **NOTE** : Les flèches sur les espaceurs doivent pointer vers l'extérieur.



Assurez-vous que les flèches sur les espaceurs doivent pointer vers l'extérieur

Fixez l'espaceur en utilisant deux (2) vis.



Fixez l'espaceur en utilisant deux (2) vis.

Assurez-vous que les flèches sur les espaceurs doivent pointer vers l'extérieur



Instructions d'installation

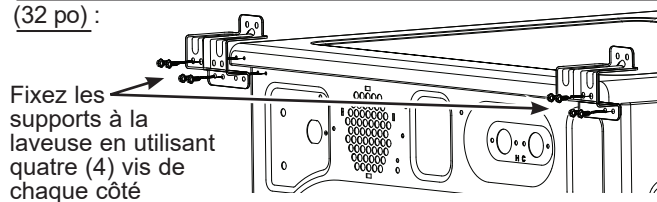
COMMENT SUPERPOSER LA SÈCHEUSE À LA LAVEUSE (Kit optionnel GFA28KITN)

3 INSTALLATION DE SUPPORTS APPROPRIÉS À LA LAVEUSE

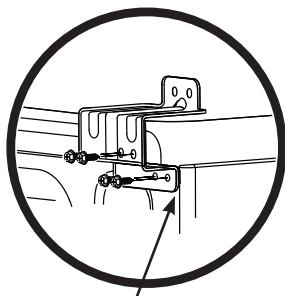
Profondeur de la laveuse	Profondeur de la sècheuse	N° de support
81,3 cm (32 po)	81,3 cm (32 po)	32
86,4 cm (34 po)	81,3 cm (32 po)	34

Choisissez les supports appropriés selon les dimensions de votre modèle. En utilisant les trous extérieurs du support, fixez-le au coin supérieur gauche derrière la laveuse en utilisant quatre (4) vis. Répétez pour le coin supérieur droit derrière la laveuse.

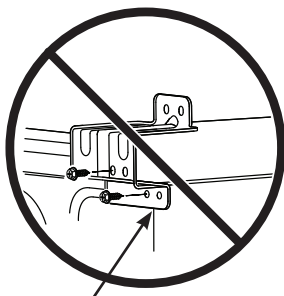
Supports n° 32 pour laveuse et sècheuse combinées de 81,3 cm (32 po) :



Fixez les supports à la laveuse en utilisant quatre (4) vis de chaque côté



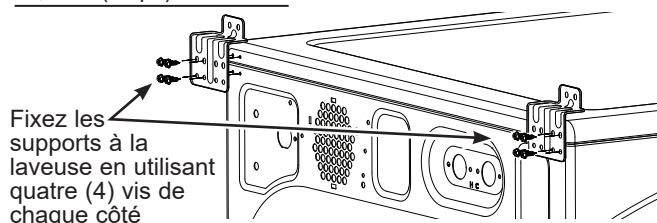
Installez les supports à égalité avec les bords de la laveuse



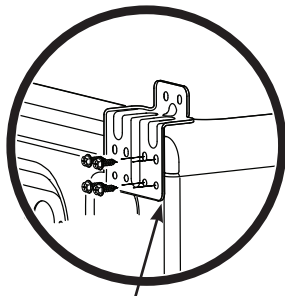
Installez les supports à égalité avec les bords de la laveuse

OU

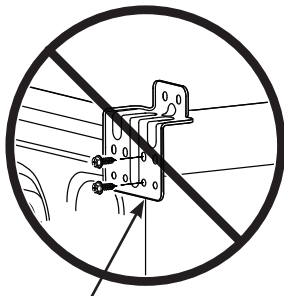
Supports n° 34 pour laveuse 86,4 cm (34 po) et pour sècheuse 81,3 cm (32 po) combinées :



Fixez les supports à la laveuse en utilisant quatre (4) vis de chaque côté



Installez les supports à égalité avec les bords de la laveuse



Installez les supports à égalité avec les bords de la laveuse

4 PREPAREZ LA LAVEUSE ET LA SÈCHEUSE

- Placez la laveuse approximativement à son emplacement d'installation finale.
- Assurez-vous que la laveuse est à niveau. Consultez les instructions d'installation de la laveuse pour connaître les détails.
- Mettez la sècheuse à la verticale.
- Inversez l'ouverture de porte de la laveuse et de la sècheuse, si nécessaire, avant d'empiler la sècheuse sur la laveuse. Consultez les instructions d'installation de la laveuse et de la sècheuse pour connaître les détails Instructions for details.

Instructions d'installation

COMMENT SUPERPOSER LA SÉCHEUSE À LA LAVEUSE (Kit optionnel GFA28KITN)

5 INSTALLER LA SÉCHEUSE ET LE SUPPORT SUR LA LAVEUSE

⚠ AVERTISSEMENT - Risque lié au poids excessif

- La participation de deux personnes ou plus est nécessaire pour installer la sécheuse.
- Évitez le basculement et le débranchement des services publics.
- La sécheuse doit être correctement fixée à la laveuse.
- **NE** placez **PAS** la laveuse au dessus de la sécheuse.

L'omission de prendre cette précaution peut causer des blessures graves, la mort ou des dommages matériels.

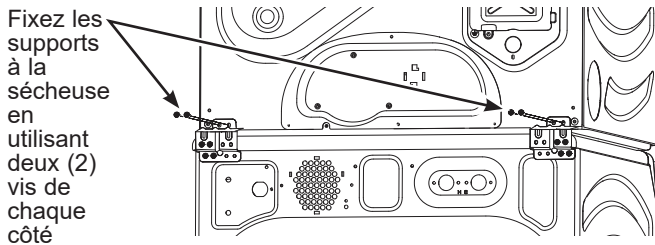
- A.** Soulevez la sécheuse et déposez-la sur le dessus de la laveuse.

Assurez-vous de soulever suffisamment haut la sécheuse pour éviter de toucher au panneau de commande de la laveuse.

Prenez soin de ne pas érafler le dessus de la laveuse avec les espaceurs. Protégez le panneau de commande de la laveuse avec un carton ou un autre type de protecteur.

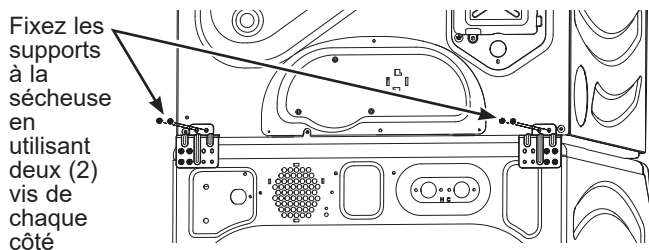
- B.** Alignez les trous de l'arrière de la sécheuse sur les trous du support qui dépasse de la laveuse. Fixez les deux (2) supports à la sécheuse en utilisant deux (2) vis de chaque côté.

Supports n° 32 pour laveuse et sécheuse combinées de 81,3 cm (32 po) :



OU

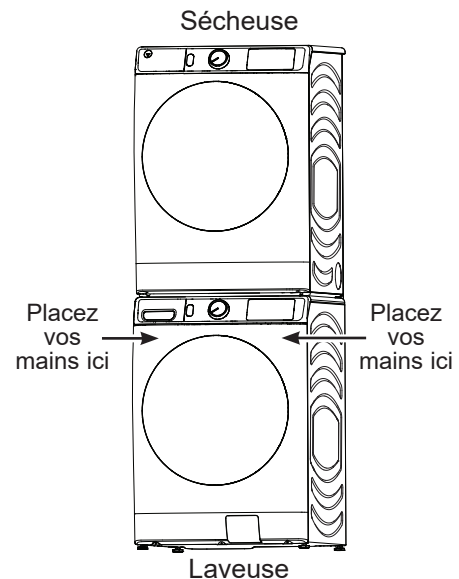
Supports n° 34 pour laveuse 86.4 cm (34 po) et pour sécheuse 81,3 cm (32 po) combinées :



6 COMMENT TERMINER L'INSTALLATION

⚠ ATTENTION Ne poussez pas sur la sécheuse lorsqu'elle est installée au-dessus de la laveuse. Si vous poussez sur la sécheuse, vous risquez de vous coincer vos doigts.

- A.** Reportez-vous aux consignes d'installation pour terminer l'installation de la laveuse.
- B.** Reportez-vous aux consignes d'installation pour terminer l'installation de la sécheuse.
- C.** Poussez avec précaution la laveuse et la sécheuse superposées à leur emplacement définitif. Utilisez des cales en feutre ou tout autre dispositif coulissant pour faciliter le déplacement et protéger le revêtement du sol.
- D.** Vérifiez que les appareils sont de niveau. Si nécessaire, réglez les pieds de la laveuse pour mettre de niveau. Il est toujours préférable de régler les pieds de la laveuse à la hauteur minimale nécessaire pour mettre la laveuse et la sécheuse de niveau correctement.



Conseils de dépannage...Avant d'appeler un réparateur

Problème	Causes possibles	Correctifs
La sècheuse émet des secousses et des bruits	Le bruit/ou les secousses sont normaux. La sècheuse est peut-être placée sur une surface inégale	Placez l'appareil sur une surface plane, ou ajustez les pattes au besoin jusqu'à ce qu'il soit bien de niveau.
Le séchage est trop long	Des conduits inadéquats ou bouchés	Consultez les consignes d'installation afin de vous assurer que l'évacuation de l'air de la sècheuse est correcte. Veillez à ce que le conduit soit propre, non déformé et non bouché. Assurez-vous que l'évent mural extérieur fonctionne sans problème.
	Tri erroné	Séparez les articles lourds des légers (en général un linge correctement trié dans la laveuse l'est aussi dans la sècheuse).
	Charges de tissus lourds (serviettes par exemple)	Les tissus lourds et de grande taille contiennent de l'humidité et tardent davantage à sécher. Répartissez les tissus lourds et de grande taille en de plus petites charges pour accélérer le séchage.
	Les commandes sont mal réglées	Réglez les commandes conformément à la charge que vous séchez.
	Le filtre à charpie est plein	Nettoyez le filtre à charpie avant chaque utilisation.
	Fusibles grillés ou disjoncteur déclenché	Remplacez les fusibles ou réenclenchez les disjoncteurs. REMARQUE : Certaines sècheuses électriques utilisent 2 fusibles/disjoncteurs, assurez-vous que les deux sont fonctionnels.
	Surcharge/charges mixtes	Ne mettez pas plusieurs charges dans la sècheuse à la fois.
	Charge insuffisante	Si vous ne séchez qu'un ou deux articles, ajoutez d'autres vêtements afin d'obtenir un bon culbutage.
	ecoDry est activé	La fonction ecoDry est conçue pour faire fonctionner votre sècheuse dans le mode le plus éconergétique, lequel n'est pas toujours le plus rapide. Dans certains cas, le temps de séchage peut être prolongé afin de réduire la consommation globale d'énergie pour le cycle.
Le niveau de séchage Dry a été sélectionné mais le linge est toujours humide	La brassée est composée de vêtements lourds et légers	Lorsque vous mélangez les tissus lourds et légers, sélectionnez More Dry (Plus Sec).
	Le système d'échappement est bouché	Inspectez ou nettoyez le système d'échappement.
La sècheuse ne démarre pas	Le panneau de contrôle est en « veille »	C'est normal. Appuyez sur Power (Alimentation) pour activer le panneau de contrôle.
	La sècheuse est débranchée	Veillez à ce que la fiche de la sècheuse soit entièrement branchée dans la prise.
	Fusible grillé/disjoncteur déclenché	Vérifiez le fusible disjoncteur et remplacez le fusible ou réenclenchez le disjoncteur. REMARQUE : Certaines sècheuses électriques utilisent 2 fusibles/disjoncteurs, assurez-vous que les deux sont fonctionnels.
	La sècheuse a été arrêtée par inadvertance au moment de régler la fonction Delay Dry (Mise en marche différée)	Si la lumière de la touche Start/Pause (Mise en marche/pause) clignote, la sècheuse est arrêtée. Appuyez sur Start/Pause (Mise en marche/pause) pour lancer le compte à rebours.
Aucun chiffre n'apparaît pendant le cycle, il ne fait que s'allumer	La sècheuse évalue la quantité d'humidité du linge	C'est normal. Lorsque la sècheuse détectera un faible niveau d'humidité dans le linge, elle affichera le temps de séchage restant.
Le temps restant a diminué	Le temps estimé risque de changer lorsqu'une charge plus petite est en train de sécher	C'est normal.
Impossible de procéder à une sélection et la sècheuse émet un double bip	L'option dryness Level (Niveau de séchage), Temp (Temperature) ou l'option que vous tentez de sélectionner est incompatible avec le cycle de séchage sélectionné	C'est normal.
La sècheuse fonctionne mais 00 est le temps restant affiché	L'option Wrinkle Care (Antifroissement) a été sélectionnée	C'est normal. Pendant un culbutage prolongé, le temps restant n'est pas affiché. L'option de culbutage prolongé dure environ 60 minutes.
Le voyant « Check Vent » est allumé	Le filtre à charpie est plein	Nettoyez le filtre à charpie, séchez une brassée en cycle automatique et vérifiez que le voyant s'éteint.
	Des conduits inadéquats ou bouchés	Consultez les consignes d'installation afin de vous assurer que l'évacuation de l'air de la sècheuse est correcte. Veillez à ce que le conduit soit propre, non déformé et non bouché. Assurez-vous que l'évent mural extérieur fonctionne sans problème. Séchez une brassée en cycle automatique et vérifiez que le voyant s'éteint.
	Le système d'évacuation est bloqué	Inspectez et nettoyez-le système d'évacuation. Séchez une brassée en cycle automatique et vérifiez que le voyant s'éteint.

Conseils de dépannage...Avant d'appeler un réparateur

Problème	Causes possibles	Correctifs
La sècheuse ne chauffe pas	Fusible grillé/disjoncteur déclenché, la sècheuse peut tourner mais ne chauffe pas	Vérifiez le fusible disjoncteur et remplacez le fusible ou réenclenchez le disjoncteur. Votre sècheuse peut tourner si un fusible est grillé ou un disjoncteur est déclenché. REMARQUE : Certaines sècheuses électriques utilisent 2 fusibles/disjoncteurs, assurez-vous que les deux sont fonctionnels.
	L'alimentation en gaz est coupée (modèles à gaz seulement)	Assurez-vous que le robinet de sectionnement du gaz à la sècheuse ou le robinet de sectionnement principal est complètement ouvert.
	Le réservoir de gaz LP (pétrole liquéfié) est vide ou il y a interruption de l'alimentation en gaz par le fournisseur (modèles à gaz seulement)	Remplissez et remplacez le réservoir. La sècheuse devrait chauffer à nouveau une fois l'alimentation du fournisseur rétablie.
	L'option No Heat (sans chaleur) est sélectionnée	Sélectionnez un autre réglage de chaleur.
Temps de séchage non uniformes	Type de chaleur	Le temps de séchage variera en fonction du type de chauffage utilisé. Si vous avez récemment remplacé votre sècheuse électrique par un modèle à gaz propane, ou vice-versa, le temps de séchage peut ne pas être le même.
	Type de charge et conditions de séchage	La taille du linge, les types de tissus, l'humidité du linge et la longueur et l'état du système d'évacuation auront une influence sur le temps de séchage.
Le linge est toujours humide et la sècheuse s'est arrêtée après quelques instants	La porte a été ouverte au milieu du cycle. Le linge a été ensuite retiré de la sècheuse et une nouvelle charge introduite sans sélectionner un nouveau cycle	Un cycle de séchage doit être sélectionné chaque fois qu'une nouvelle brassée est placée dans l'appareil.
	Charge petite	Si vous séchez 3 articles au plus, sélectionnez QUICK DRY (Séchage rapide) ou TIMED DRY (Séchage minuté).
	Le linge est déjà sec à l'exception des cols et les ceintures	Sélectionner QUICK DRY (Séchage rapide) ou TIMED DRY (Séchage minuté) pour sécher des cols et des ceintures. À l'avenir, lorsque vous séchez des articles possédant des cols et des ceintures, sélectionnez plutôt More Dry (Plus Sec).
	La sècheuse n'est pas placée sur une surface plane	Placez l'appareil sur une surface plane, ou ajustez les pattes au besoin jusqu'à ce qu'il soit bien de niveau.
Le linge est froissé	Séchage excessif	Sélectionnez un temps de séchage plus court. Retirez du linge pendant qu'il est encore légèrement humide. Sélectionnez les options Less Dry (Moins sec) ou Damp (Humide).
	Linge laissé dans la sècheuse alors que le cycle est fini	Retirez le linge une fois le cycle terminé, pliez et suspendez-le immédiatement, ou utilisez l'option Wrinkle Care (Antifroissement).
	Surcharge	Répartissez les tissus lourds et de grande taille en de plus petites charges.
Le linge a rétréci	Certains tissus rétréciront naturellement au lavage. D'autres peuvent être lavés sans problème, mais rétréciront dans la sècheuse	Afin d'éviter tout rétrécissement, suivez les indications figurant sur les étiquettes des vêtements. Certains vêtements doivent être étirés après le séchage afin qu'ils retrouvent leur forme d'origine. Si vous avez peur qu'un vêtement rétrécisse, ne le lavez pas à la machine ou ne le séchez pas dans la sècheuse.
Des tâches de gras sur le linge	Une utilisation inadéquate de l'assouplissant	Suivez le mode d'emploi figurant sur l'emballage de l'assouplissant.
	Séchage de linge propre avec du linge sale	Utilisez votre sècheuse pour ne sécher que du linge propre. Le linge sale risque de tacher le linge propre et la sècheuse.
	Le linge n'était pas complètement propre	Il arrive parfois que des taches ne soient pas visibles lorsque le linge est humide et apparaissent après le séchage. Utilisez des procédures de lavage adéquates avant le séchage.
De la charpie sur le linge	Le filtre à charpie est plein	Nettoyez le filtre à charpie avant chaque utilisation.
	Tri erroné	Triez les tissus producteurs de charpie (chenille par exemple) des tissus collecteurs de charpie (le velours côtelé par exemple).
	L'électricité statique peut attirer la charpie	Se reporter aux suggestions de la section Électricité statique .
	Surcharge	Répartissez les tissus lourds et de grande taille en de plus petites charges.
	Papier, mouchoir, etc., oubliés dans les poches	Videz toutes les poches avant de laver le linge.

Conseils de dépannage...Avant d'appeler un réparateur

Problème	Causes possibles	Correctifs
Électricité statique	Aucun assouplissant n'a été utilisé	Essayez un assouplissant. Les feuilles d'assouplissant textile de marque BounceMD ont été approuvées pour toutes les sècheuses GE Appliances lorsqu'elles sont utilisées conformément aux instructions du fabricant.
	Séchage excessif	Essayez un assouplissant. Réglez l'option Less Dry (Moins Sec) ou Damp (Humide).
	Les synthétiques, les mélanges et les infroissables peuvent provoquer de l'électricité statique	Essayez un assouplissant.
Les cols et les ceintures sont toujours humides à la fin du cycle	Le capteur d'humidité détecte que la majeure partie du linge est sèche	Sélectionnez Quick Dry (Séchage rapide) ou Time Dry (Séchage minuté) pour sécher les cols et les ceintures humides. À l'avenir, lorsque vous séchez des articles possédant des cols et des ceintures, sélectionnez plutôt More Dry (Plus Sec).
Légère variation de la couleur métallique	C'est normal	En raison des propriétés métalliques de la peinture utilisée pour ce produit, de légères variations de couleur peuvent se produire en raison des conditions d'éclairage et des angles d'observation.
La sècheuse continue à fonctionner après que l'affichage indique que le programme est terminé	L'option de culbutage prolongé a été sélectionnée	Assurez-vous que l'option Wrinkle Care (Antifroissement) n'a pas été sélectionnée.
La porte est trop embuée pour apercevoir les vêtements durant un cycle vapeur	La vapeur se condense sur la porte intérieure	C'est normal.
L'eau visible à l'intérieur de la porte et sur le haut du filtre à charpie lors de l'ouverture de la porte après un cycle vapeur	La vapeur se condense sur ces surfaces	C'est normal.
De petites zones des vêtements sont humides après le programme de vapeur	La vapeur se condense sur le tambour intérieur	Si vous utilisez le programme STEAM Dewrinkle (Défroissage à la vapeur), réduisez manuellement la durée du programme. Si vous utilisez le programme STEAM Refresh (Rafraîchissement à la vapeur), ajoutez des vêtements à la charge.
Petite quantité d'eau sur le plancher devant la sècheuse	Charge inadéquate pour le programme de vapeur sélectionné, l'excédent de vapeur se condense et fuit	Si vous utilisez le programme STEAM Dewrinkle (Défroissage à la vapeur), réduisez manuellement la durée du programme. Si vous utilisez le programme STEAM Refresh (Rafraîchissement à la vapeur), ajoutez des vêtements à la charge.
De l'eau sur le plancher, derrière la sècheuse	Une connexion du tuyau d'eau à la valve n'est pas assez serrée	Resserrez la connexion.
	Une rondelle de caoutchouc du boyau est manquante sur la connexion avec la valve	Installez la rondelle de caoutchouc fournie avec le boyau.
De l'eau dégouline de la porte lorsque cette dernière est ouverte après un Cycle Vapeur	La vapeur se condense sur la porte intérieure	C'est normal.
Ne peut voir la vapeur au début du cycle	La vapeur est relâchée à différents moments durant le cycle	C'est normal.
Impossible de voir de la vapeur n'importe quand pendant le cycle	Le bec vapeur peut être bouché de débris de l'arrivée d'eau.	Appelez 800.561.3344 pour commander le nécessaire de rechange de bec WE25M71 ou pour demander à un technicien de le remplacer pour vous.
Les vêtements sont encore froissés après un cycle vapeur	Trop de vêtements	Insérez moins de vêtements ; augmentez manuellement la durée du cycle.

Garantie limitée de la sècheuse GE Appliances

GARANTIE LIMITÉE

electromenagersge.ca

Toutes les réparations sous garantie seront effectuées par nos centres de réparation ou nos réparateurs autorisés. Pour planifier un service en ligne, rendez-vous sur **Electromenagersge.ca/fr/soutien/demande-de-service** ou appelez le **800.561.3344**. Veuillez fournir le numéro de série et le numéro de modèle lorsque vous appelez pour obtenir le service.

Pour le diagnostic, la réparation de votre appareil peut nécessiter l'utilisation du port de données embarqué. Celui-ci permet au technicien de réparation GE Appliances de diagnostiquer rapidement des problèmes avec votre appareil. Il permet également à GE Appliances d'améliorer ses produits en fournissant à ces derniers des informations sur votre appareil. Si vous ne voulez pas que les données de votre appareil soient envoyées à GE Appliances, veuillez demander à votre technicien de NE PAS soumettre les données à GE Appliances pendant la réparation.

Pendant la période de :	Nous remplacerons :
Un an À compter de la date d'achat d'origine	Toute pièce de la sècheuse qui se révèle défectueuse en raison d'un vice de matériaux ou de fabrication. Au cours de cette garantie limitée d'un an , nous fournirons également, sans frais , les pièces et la main-d'œuvre pour remplacer la pièce défectueuse.

Ce qui n'est pas couvert :

- Toute visite à votre domicile pour vous expliquer le fonctionnement de l'appareil.
- L'installation, la livraison ou l'entretien inadéquats de l'appareil.
- Toute défectuosité du produit attribuable à une utilisation abusive ou inadéquate, s'il a été utilisé à toute autre fin que celle pour laquelle il a été conçu, ou s'il a été utilisé à des fins commerciales.
- Le remplacement des fusibles ou le réenclenchement des disjoncteurs de votre domicile.
- Les produits qui ne sont pas défectueux ou brisés, ou qui fonctionnent tel que décrit dans le Manuel de l'utilisateur.
- Tout dommage au produit attribuable à un accident, un incendie, une inondation ou une catastrophe naturelle.
- Tout dommage accessoire ou indirect, causé par des défaillances possibles de l'appareil.
- Les défectuosités ou les dommages causés par une utilisation de l'appareil à des températures situées sous le point de congélation.
- Tout dommage causé après la livraison.
- Tout produit auquel il n'est pas possible d'accéder pour effectuer les réparations nécessaires.

EXCLUSION DES GARANTIES IMPLICITES :

Votre seul et unique recours est de faire réparer le produit dans le cadre de cette garantie limitée. Toute garantie implicite, incluant la garantie de qualité marchande ou d'adaptabilité du produit à un usage particulier, est limitée à un an ou à la période la plus courte autorisée par la loi.

Agratez le reçu d'achat ici. Pour obtenir le service sous garantie, vous devrez fournir la preuve de l'achat original.

Cette garantie limitée est offerte à l'acheteur initial, ainsi qu'à tout propriétaire subséquent d'un produit acheté au Canada en vue d'une utilisation domestique au Canada. Si le produit se situe dans une zone où aucun réparateur agréé par GE Appliances n'est disponible, vous devrez peut-être assumer les frais de déplacement de celui-ci ou apporter le produit à un atelier de réparation agréé par GE Appliances.

Dans certains États ou province, il est interdit d'exclure ou de limiter les dommages indirects ou accessoires. Il est alors possible que les limitations ou exclusions ci-dessus ne s'appliquent pas dans votre cas. La présente garantie limitée vous confère des droits juridiques spécifiques. Vous pouvez bénéficier d'autres droits, qui varient d'un État ou d'une province à l'autre. Pour connaître les droits dont vous bénéficiez, communiquez avec le bureau des Relations avec les consommateurs de votre région ou de votre province.

Garant : MC Commercial Inc., Burlington, ON, L7R 5B6

Soutien au consommateur

Site Web de GE Appliances

Vous avez une question ou vous avez besoin d'aide pour votre appareil électroménager? Visitez le site Web de GE Appliances 24 heures par jour, tous les jours de l'année! Vous pouvez aussi y trouver d'autres formidables produits GE Appliances et tirer avantage de tous nos services d'assistance en ligne. Au Canada : **ElectromenagersGE.ca/fr**

Enregistrez votre électroménager

Enregistrez votre nouvel appareil en ligne au moment qui vous convient le mieux! L'enregistrement de votre produit dans les délais prescrits permet une meilleure communication et un service rapide, selon les modalités de votre garantie, si besoin est. Vous pouvez également envoyer par courrier la carte d'enregistrement pré-imprimée qui se trouve dans l'emballage de votre appareil.

Au Canada : **electromenagersge.ca/soutien-apres-vente**

Service de réparation

Un service de réparation expert GE Appliances se trouve à quelques pas de chez vous. Rendez-vous sur notre site et programmez, à votre convenance, une visite de réparation à n'importe quel jour de l'année.

Au Canada : **electromenagersge.ca/soutien-apres-vente** ou composez le 800.561.3344

Prolongation de garantie

Procurez-vous une prolongation de garantie GE Appliances et informez-vous des rabais spéciaux en vigueur pendant la durée de votre garantie. Vous pouvez vous la procurer en ligne en tout temps. Les services GE Appliances seront toujours disponibles après l'expiration de la garantie.

Au Canada : **electromenagersge.ca/achat-dune-garantie-prolongee** ou composez le 866.277.9842.

Connectivité à distance

Pour de l'assistance concernant la connectivité au réseau sans fil (pour les modèles équipés de cette fonction), visitez notre site Web au **electromenagersge.ca/connected-appliances** ou composez le 800.220.6899.

Pièces et accessoires

Les personnes ayant les compétences requises pour réparer elles-mêmes leurs appareils peuvent recevoir directement à la maison des pièces ou accessoires (les cartes VISA, MasterCard et Discover sont acceptées). Commandez en ligne 24 heures par jour.

Au Canada : **electromenagersge.ca/pièces-filtres-et-accessoires** ou composer le 800.661.1616.

Les instructions contenues dans le présent manuel comportent des procédures que tout utilisateur peut effectuer. Les autres types de réparation doivent généralement être confiés à un technicien qualifié. Utilisez de la prudence : une réparation ou un entretien mal effectués peuvent rendre l'utilisation de l'appareil dangereuse.

Communiquez avec nous

Si vous n'êtes pas satisfait du service après-vente de GE Appliances, communiquez avec nous depuis notre site Web en fournissant tous les détails dont votre numéro de téléphone, ou écrivez à :

Au Canada : Director, Customer Relations | MC Commercial Inc. | Suite 300, 5420 North Service Road | Burlington, ON L7L 6C7
electromenagersge.ca/contactez-nous ou composer le 877.994.5366



SECADORAS

INFORMACIÓN DE SEGURIDAD 2

USAR LA SECADORA

Conexión WiFi 4

Puesta en Marcha 4

Inteligencia Artificial 6

Ciclos 7

Configuraciones 8

Opciones 9

Control de secadora: emparejamiento Bluetooth® 9

Carga 12

CUIDADO Y LIMPIEZA 13

INSTRUCCIONES DE INSTALACIÓN 14

Cambiar el sentido de apertura de la puerta (Opcional) 32

Cómo apilar la lavadora y la secadora (Opcional) 34

CONSEJOS PARA SOLUCIÓN DE PROBLEMAS 38

GARANTÍA LIMITADA 43

SOPORTE AL CLIENTE..... 44

MANUAL DEL PROPIETARIO E INSTRUCCIONES DE INSTALACIÓN

PFD95
PFD87
GFD65
GFD55
GFV55
ESPAÑOL

Escriba aquí los números de modelo y serie:

Modelo # _____

Serie # _____

Se encuentran en una etiqueta en el frente de la secadora detrás de la puerta.

INFORMACIÓN IMPORTANTE DE SEGURIDAD

LEA TODAS LAS INSTRUCCIONES ANTES DE USAR

▲ ADVERTENCIA

Para reducir el riesgo de incendio, explosión, descargas eléctricas o lesiones sobre las personas al usar su electrodoméstico, siga las precauciones básicas, incluyendo lo siguiente:

- Lea todas las instrucciones antes de usar este electrodoméstico.
- **NO** seque prendas que en forma previa hayan sido secadas, lavadas, penetradas, o manchadas con gasolina, solventes de limpieza en seco, u otras sustancias inflamables o explosivas, ya que despiden vapores que se podrían encender o explotar.
- **NO** coloque prendas expuestas a aceites de cocción en su secadora. Las prendas contaminadas con aceites de cocción podrán contribuir a una reacción química que podría hacer que una carga de ropa se prenda fuego. Para reducir el riesgo de incendio debido a unas cargas contaminadas, la parte final del ciclo de la secadora se produce sin calor (período de enfriamiento). Evite detener una secadora antes del final del ciclo de secado a menos que todos los artículos se retiren y se dispersan rápidamente para que el calor se disipe.
- **NO** permita que los niños jueguen sobre o dentro de este electrodoméstico. Cuando el electrodoméstico se use cerca de niños, será necesario supervisarlos de cerca.
- Antes de que este electrodoméstico quede fuera de uso o se descarte, retire la puerta del compartimiento de secado.
- **NO** introduzca las manos en la secadora cuando el tambor se encuentre en movimiento.
- **NO** instale ni guarde este electrodoméstico donde quede expuesto a los factores climáticos.
- **NO** manipule indebidamente los controles.
- **NO** se trepe ni se pare sobre la unidad.
- **NO** reparar ni reemplazar cualquier parte del electrodoméstico o realizar cualquier otro trabajo técnico, a menos que esto sea específicamente recomendado en las instrucciones de mantenimiento del usuario o en instrucciones publicadas sobre reparaciones del usuario, que entienda y para las cuales posea las destrezas necesarias.
- Siga todas las instrucciones y advertencias de cuidado de tejidos para evitar el derretimiento de las prendas o daños al aparato.
- **NO** utilice suavizantes de tela ni productos para eliminar la estática, a menos que esto sea recomendado por el fabricante del suavizante de tela u otro producto.
- **NO** secar artículos que contengan gomaespuma o materiales de goma con textura similar.
- Limpie la pantalla de pelusa antes o después de cada carga.
- **NO** utilice la secadora si el filtro de pelusas **no** se encuentra colocado.
- **NO** guarde materiales combustibles, gasolina u otros líquidos inflamables cerca de la secadora. Evite la acumulación de pelusa, polvo o tierra alrededor del área de la apertura de ventilación y áreas adyacentes.
- La parte interior del electrodoméstico y el conducto de ventilación se deberán limpiar periódicamente por personal calificado del servicio técnico.
- Desenchufe el electrodoméstico o apague el disyuntor antes de realizar el servicio técnico. Presionar el botón **Power** (Encendido) o **Start/Pause** (Inicio/Pausa) **NO** desconecta el encendido.
- **NO** utilice este electrodoméstico si se encuentra dañado, funcionando mal, parcialmente desensamblado, o si tiene partes faltantes o rotas, incluyendo un cable o enchufe dañado.
- **NO** rocíe ningún tipo de aerosol dentro, sobre ni cerca de la secadora en ningún momento. **NO** use ningún tipo de limpiador en spray para limpiar el interior de la secadora. Se podrán producir vapores o una descarga eléctrica.
- Para acceder a las instrucciones de conexión a tierra, lea la sección de "CONEXIÓN ELÉCTRICA" ubicados en las Instrucciones de Instalación.
- **NO** utilice piezas de reemplazo que no hayan sido recomendadas por el fabricante. (Por ejemplo: piezas hechas en casa usando una impresora 3D).

Forma adecuada de descartar su electrodoméstico

- Descarte o recicle su electrodoméstico de acuerdo con las Regulaciones Federales y Locales. Comuníquese con las autoridades locales para descartar o reciclar su electrodoméstico de forma ambientalmente segura.
- Tenga en cuenta las opciones de reciclaje del material de embalaje de su electrodoméstico.

LEA Y GUARDE ESTAS INSTRUCCIONES

INFORMACIÓN IMPORTANTE DE SEGURIDAD

LEA TODAS LAS INSTRUCCIONES ANTES DE USAR

ADVERTENCIAS ADICIONALES SOBRE LA SECADORA A GAS

⚠ ADVERTENCIA  - Riesgo de incendio o de explosión

El incumplimiento estricto de las advertencias de seguridad podría resultar en lesiones graves, la muerte o daños a la propiedad.

- NO guarde ni use gasolina u otros vapores y líquidos inflamables cerca de éste ni de otros electrodomésticos.
- QUÉ DEBE HACER SI HUELE GAS:
 - NO intente iluminar ningún electrodoméstico.
 - NO toque ningún interruptor eléctrico; NO use teléfonos en su edificio.
 - Haga que se retiren los ocupantes de la sala, edificio o área.
 - De inmediato llame a su proveedor de gas desde el teléfono de un vecino. - Siga las instrucciones del proveedor de gas.
 - Si no se puede comunicar con su proveedor de gas, llame al departamento de bomberos.
- La instalación y las reparaciones deberán ser realizadas por un instalador calificado, agencia de servicios o el proveedor de gas.

LEA Y GUARDE ESTAS INSTRUCCIONES

Puesta en Marcha

⚠ ADVERTENCIA

Para reducir el riesgo de incendios, descargas eléctricas o heridas, lea las **INFORMACIÓN IMPORTANTE DE SEGURIDAD** antes de utilizar este electrodoméstico.

⚠ ADVERTENCIA



- Riesgo de incendio

- Mantenga cualquier material y vapores inflamables, tales como gasolina, alejados de la secadora.
- **NO** seque nada que alguna vez haya tenido algo inflamable en éste (incluso luego de lavar).
- Ninguna lavadora puede eliminar el aceite por completo.
- **NO** seque nada que alguna vez haya tenido algún tipo de aceite (incluyendo aceites de cocina).
- Las prendas con gomaespuma, goma, o plástico deberán ser secadas en un tendedero.
- Si no se cumple con esto, se podrá producir muerte, explosión o incendio.

Es posible que las funciones y apariencias varíen con relación a su modelo a lo largo del manual.

WiFi Connect (Conexión WiFi) (Sólo para clientes en los Estados Unidos)

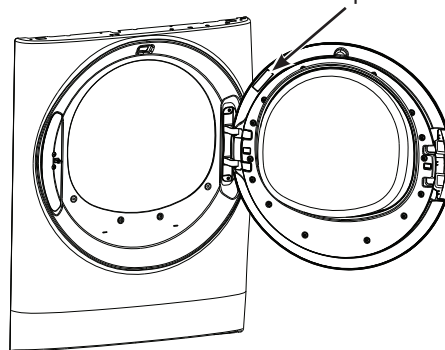
Su secadora está habilitada para **GE Appliances WiFi Connect**.

Visite www.geappliances.com/connect e ingrese su número de modelo para mostrarle los pasos apropiados para conectar su aparato.

Para aprender más sobre las funciones del electrodoméstico conectado, para saber qué aplicaciones del electrodoméstico conectado funcionarán con su teléfono inteligente.

Conectividad WiFi: Para recibir asistencia en relación al electrodoméstico o la conectividad de red de **ConnectPlus**, comuníquese GE Appliances al **800.220.6899**.

Ubicación de la etiqueta de WiFi



Inicio rápido:

Paso 1



- Filtro para la limpieza de pelusa
- Agregue las prendas.
- Cierre la puerta.

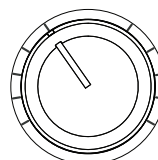
NOTA: La secadora no se iniciará con la puerta abierta.

Paso 2



- Si la pantalla se encuentra oscura, presione el botón Power (encendido/apagado) para “despertar” la pantalla.

Paso 3



- Seleccione un ciclo de secado del sensor. (Existen configuraciones por defecto para cada ciclo de secado. Estas configuraciones por defecto pueden modificarse. Para más información, consulte las descripciones de los ciclos.)



- Seleccione **TIMED DRY** (Secado con Temporizador) y configure Time (Tiempo), Temp (Temperatura) y Level (Nivel).

Paso 4

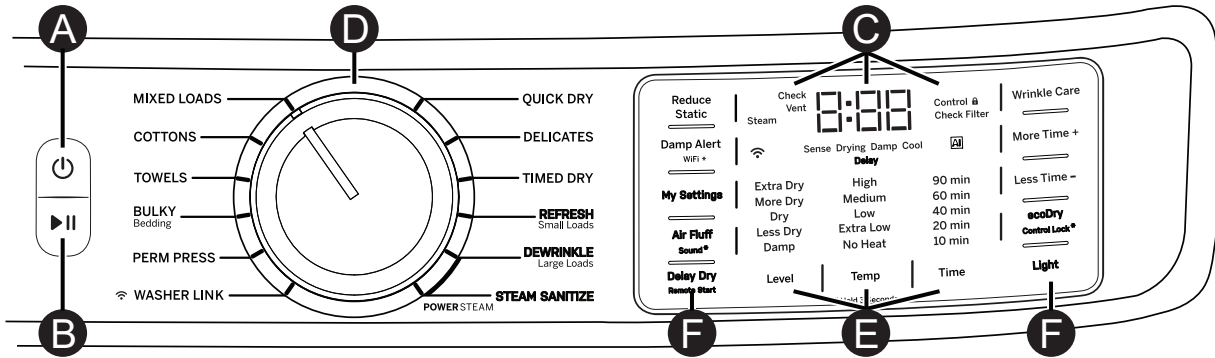


- Si seleccionó un ciclo de secado, presione el botón Start/Pause (iniciar/pausa).

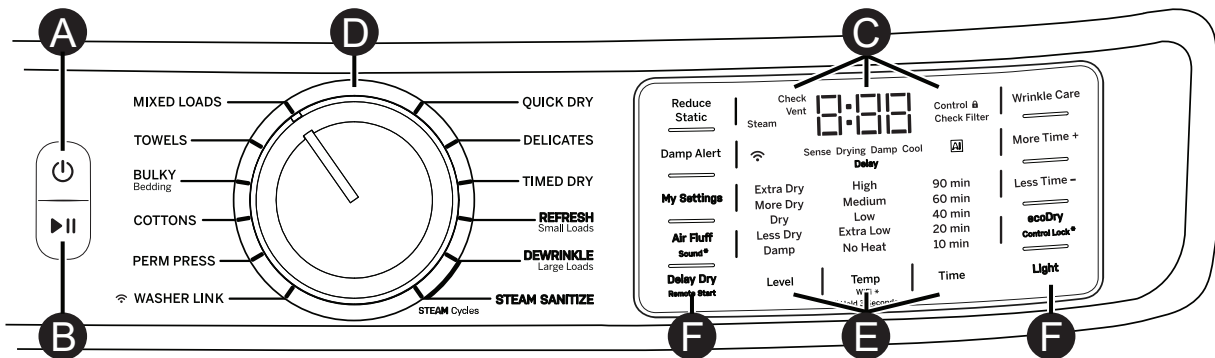
Puesta en Marcha

Las características y apariencia variarán.

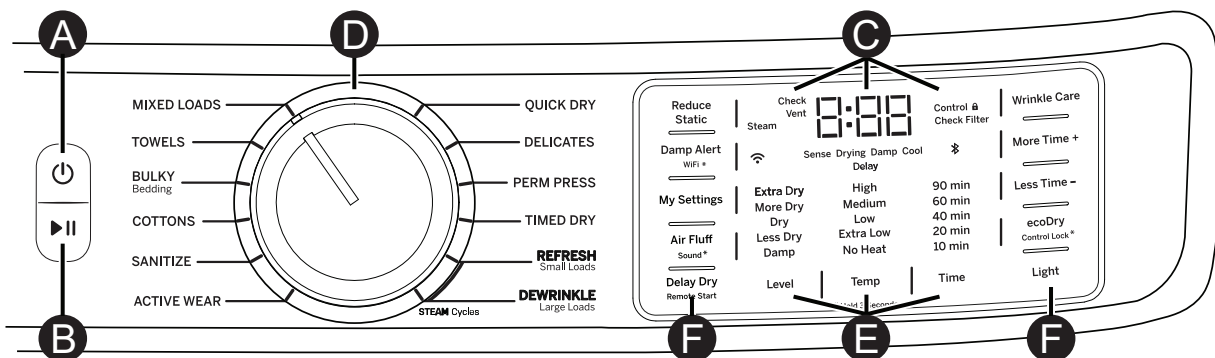
Modelo:
PFD95



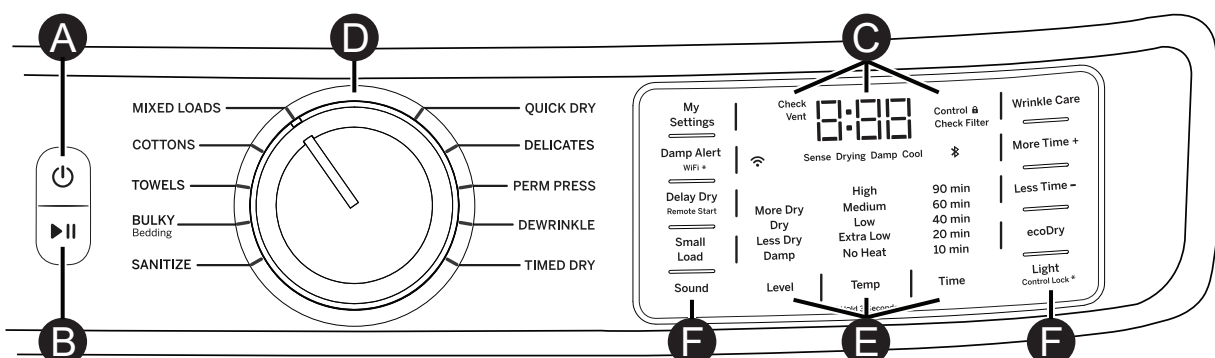
Modelo:
PFD87



Modelo:
GFD65



Modelos:
GFD55
GFV55



Puesta en Marcha

A Power (Encender)
 Presione para “activar” la pantalla. Si la pantalla está activa, presione para que la secadora quede en el modo inactivo.
NOTA: Presionar **Power** (Encendido) no desconecta el electrodoméstico del suministro de corriente.

B Start and Pause (Inicio y Pausa)
 Presione **Start** (Inicio) para comenzar el ciclo. **NOTA:** La puerta se deberá cerrar para que la secadora comience el ciclo.
 Presionar **Start** (Inicio) pausará el ciclo, la luz de **Start** (Inicio) puede parpadear y se mostrará “**Pause**” (Pausa).
 Para continuar con el ciclo, presione la tecla **Start** (Inicio) nuevamente.

C Pantalla y las luces de estatus
 La pantalla muestra el tiempo restante aproximado hasta el final del ciclo. En algunos modelos, se mostrará el estado del ciclo de la secadora (**Sense** (Sensor), **Drying** (Secado), **Damp** (Húmedo) y **Cool** (Frio)) .

Además, esta pantalla mostrará:



Permitirá a tu aparato comunicarse con su teléfono celular por control remoto y recibir notificaciones.



La secadora está bloqueada – titilará una vez si presiona cualquier botón o gira la perilla de ciclo.



La luz de Check Filter (Filtro de limpieza de pelusas) permanecerá encendida durante 15 segundos después de que se detenga el ciclo.



La luz **Check Vent** (Verificación de ducto de salida) se iluminará indicando que se ha encontrado un problema debido a la reducción del flujo de aire por ventilación obstruida o restringida. Se recomienda revisar y/o limpiar el ducto de escape. Consulte, **La luz “Check Vent” está encendida** en la sección **Consejos para la solución de problemas**.



(en algunos modelos)

Su secadora está equipada con capacidades de **Inteligencia Artificial**. Este indicador se iluminará cuando la función **Washer Link** (Enlace de la Lavadora) esté activo, **My Settings** (Mis Configuraciones) se haya implementado en base a sus hábitos de uso y se encuentren disponibles acciones sugeridas a través de la aplicación **SmartHQ**.



(en algunos modelos)

Esta es una funcionalidad de emparejamiento para uso con la lavadora de carga frontal compatible de GE Appliances con Bluetooth® integrado. Para emparejar esta secadora con la lavadora, siga los pasos especificados en el Manual de Instrucciones de la lavadora. Para activar o desactivar el Bluetooth®, abra y cierre la puerta tres veces en el lapso de 10 segundos cuando la secadora está encendida pero sin estar ejecutando un ciclo.

Puesta en Marcha

D Ciclos de Secado	Los ciclos del sensor determinan de forma automática cuán seca está la tela. Los ciclos por tiempo funcionan durante una cantidad de tiempo seleccionada
MIXED LOADS (Cargas Combinadas)	Para cargas con algodones y telas combinadas.
COTTONS (Algodones)	Para algodones y la mayoría de las prendas blancas. NOTA: Los modelos de ENERGY STAR® son probados con el ciclo COTTONS (Algodones) con las configuraciones por omisión (configuración de Temp (Temperatura) en High (Alta), configuración de Level (Nivel) en Dry (Seco), y por omisión en ecoDry (Secado Ecológico).
TOWELS (Toallas) (en algunos modelos)	Para la mayoría de las toallas y prendas blancas.
BULKY Bedding (Prendas Voluminosas)	Para abrigos grandes, prendas de cama, cubiertas de colchones, bolsas de dormir y artículos grandes/gruesos similares tales como mantas, edredones, fundas y tapetes pequeños.
SANITIZE (Sanitize) (en algunos modelos)	Esta opción reduce ciertos tipos de bacterias incluyendo: staphylococcus aureus, pseudomonas aeruginosa y klebsiella pneumoniae. El proceso antibacteriano ocurre cuando se utiliza un alto nivel de calor durante una parte del ciclo de secado; el enfriamiento tomará mayor tiempo para protegerlo de alguna prenda caliente. NOTA: No use este ciclo con telas delicadas.
WASHER LINK (Enlace con la lavadora) (en algunos modelos)	Cuando se seleccione (y si está conectada a una lavadora compatible a través de la comunicación WiFi), la secadora recibirá información de carga desde la lavadora para hacer de forma automática recomendaciones sobre el ciclo, secado, temperatura y tiempo a fin de optimizar el secado.
ACTIVE WEAR (Ropa de Ejercicio) (en algunos modelos)	Prendas utilizadas para ejercicio físico activo y algunas prendas informales. Las telas incluyen acabados de tecnología nueva y fibras elásticas como el Spandex. También para vestimenta con etiqueta Easy Care (Cuidado Fácil) y Perma Press (Planchado Permanente): Para prendas y tejidos sin arrugas y planchado permanente.
QUICK DRY (Secado rápido)	Para pequeñas cantidades necesarias en un apuro, tales como prendas deportivas o uniformes escolares. También se puede usar si en el ciclo previo quedaron algunas prendas húmedas, tales como cuellos o pretinas. NOTA: En algunos modelos, el tiempo restante del ciclo mostrará la cuenta regresiva en la pantalla.
DELICATES (Prendas Delicadas)	Para prendas delicadas, telas y tejidos que requieren cuidado especial.
PERM PRESS (Planchado permanente) (en algunos modelos)	Para prendas libres de arrugas, planchado permanente y artículos delicados que necesitan cuidado especial al secar.
AIR FLUFF (Secado por Aire) (en algunos modelos)	Brinda 10 minutos de tiempo de giro sin calor. NOTA: En los modelos con el ciclo AIR FLUFF (Secado por Aire), seleccione TIMED DRY (Secado por Tiempo) y configure Temp (Temporizador) en No Heat (Sin Calor).
DEWRINKLE (Estirar) (en algunos modelos)	Para eliminar arrugas de prendas que están secas o apenas húmedas. No se recomienda este ciclo para telas delicadas.
STEAM Dewrinkle (Desarrugar al vapor) (en algunos modelos)	Para uso con cargas más pesadas que STEAM Refresh (Refrescar con vapor). Ideal para cargas que fueron dejadas en la secadora por un período de tiempo extendido. Se recomienda STEAM Dewrinkle (Desarrugar al vapor) para cargas más grandes (9-13 prendas). NOTA: No se recomienda el uso de toallas en los ciclos al vapor. Importante – La configuración de temperatura se deberá configurar en High (Alto) y se deberá abrir el agua antes de activar el ciclo STEAM Dewrinkle (Desarrugar al vapor).
STEAM Refresh (Refrescar al vapor) (en algunos modelos)	Para prendas secas apenas arrugadas. Reduce las arrugas de forma significativa. Luego del ciclo STEAM Refresh (Refrescar al vapor), la unidad emitirá un pitido (si se selecciona Sound (Sonido)) y se exhibirá "00." Se recomienda STEAM Refresh (Refrescar al vapor) para cargas pequeñas (3-5 prendas). NOTA: No se recomienda el uso de toallas en los ciclos al vapor. NOTA: Una sola prenda de tela extremadamente liviana necesitará que se incluya una prenda adicional en el ciclo STEAM Refresh (Refrescar al vapor) para obtener resultados óptimos. Importante – la configuración de temperatura se deberá configurar en HIGH (Alto) y se deberá abrir el agua antes de activar el ciclo STEAM Refresh (Refrescar al vapor).

Puesta en Marcha

D Ciclos de Secado	Los ciclos del sensor determinan de forma automática cuán seca está la tela. Los ciclos por tiempo funcionan durante una cantidad de tiempo seleccionada
STEAM SANITIZE (Refrescar al vapor) (en algunos modelos)	Este ciclo desinfectará y eliminará arrugas difíciles de quitar producidas en cargas de tamaño estándar que estén húmedas del lavado y/o enjuague. Este ciclo reduce ciertos tipos de bacterias incluyendo: Staphylococcus aureus, Pseudomonas aeruginosa y Klebsiella pneumoniae. El proceso antibacteriano ocurre cuando se utiliza un alto nivel de calor durante una parte del ciclo de secado. NOTA: No use este ciclo con telas delicadas. Importante – La temperatura está configurada en HIGH (Alta) y no se podrá modificar. Se deberá abrir el agua para que el ciclo Steam Sanitize (Desinfección con Vapor) funcione de forma correcta.
TIMED DRY (Secado por Tiempo)	Utilícelo para configurar su propio tiempo de secado. Para utilizar: 1. Gire la perilla de ciclo a TIMED DRY (Secado por tiempo). 2. Seleccione el tiempo de secado presionando el botón Time (Tiempo). NOTA: Este botón sólo aumenta el tiempo. Al alcanzar el tiempo máximo, si presiona el botón de nuevo se reconfigura el contador en la configuración más baja. 3. Seleccione Temp (Temperatura). 4. Cierre la puerta. 5. Presione Start/Pause (Inicio/Pausa).
E Configuraciones	Configuraciones individuales para el ciclo secado por tiempo (Time), el nivel de secado (Level) y temperatura (Temp) se pueden configurar desde el mínimo (inferior en la columna) al máximo (superior en la columna). En general, cuanto más arriba en la columna, más energía se usará. NOTA: El ciclo Time (Tiempo) seleccionado puede ajustarse más, en incrementos de un minuto, presionando los botones More Time (Más Tiempo) y Less Time (Menos tiempo). Dryness Level (Nivel de Secado) – Selección usada únicamente para ciclos del Sensor. Los ciclos por tiempo funcionan durante una cantidad de tiempo seleccionada. NOTA: Las opciones para Dryness Levels (Niveles de Secado) varían de acuerdo al modelo. Consulte el panel de control de su modelo o los paneles de control mostrados previamente en este manual.
Extra Dry (Extra seco)	Para telas muy resistentes o prendas que deben estar muy secas, como las toallas.
More Dry (Más seco)	Se usa con tipos de telas pesadas o combinadas.
Dry (Seco)	Se usa en el nivel de secado normal, adecuado para la mayoría de las cargas. Éste es el ciclo preferido para ahorrar energía.
Less Dry (Menos Seco)	Se usa con telas más livianas.
Damp (Húmedo)	Para dejar las prendas parcialmente húmedas.
Temperature	
High (Alta)	Para algodones de regular a pesados. NOTA: STEAM Dewrinkle (Desarrugar al vapor) y STEAM Refresh (Refrescar al vapor) requieren la configuración de temperatura High (Alta).
Medium (Media)	Para ropas sintéticas, combinadas, delicadas y prendas con etiqueta de planchado permanente.
Low (Baja)	Para prendas delicadas, sintéticas y con etiqueta para secado en la secadora a nivel bajo.
Extra Low (Muy Baja)	Para lencería y telas delicadas.
No Heat (Sin calor)	Para prendas con pelusa sin calor. Para uso únicamente con los ciclos AIR FLUFF (Esponjado con aire).

Puesta en Marcha

F Opciones

Reduce Static (Reducción de la Estática) (en algunos modelos)

Cuando se seleccione, la secadora rociará un spray de agua sobre la carga, al final del ciclo de secado, a fin de reducir la estática. Esta opción no está disponible para los ciclos **BULKY** (Abultado), **SANITIZE** (Desinfección) o **STEAM** (Vapor).

Damp Alert (Damp Alert/WiFi pad) (Alerta de humedad/WiFi) (en algunos modelos)

Esta opción hace que la secadora emita un pitido cuando la ropa se secó hasta un nivel de humedad. Retire las prendas que desea colgar para que se sequen. **Damp Alert** (Alerta de humedad) sólo sonará cuando esta opción sea seleccionada (pero el ciclo de secado continuará en funcionamiento). Retirar la ropa y colgarla cuando está húmeda puede reducir la necesidad de planchar algunas prendas.

Delay Dry (Secado Retrasado)

Presione el botón **Delay Dry** (Secado Retrasado) para ajustar el tiempo de inicio diferido en incrementos de 1 hora, hasta 24 horas, y luego de regresar (a 0 horas). Luego de seleccionar el tiempo de demora, presione **Start** (Iniciar) y el tiempo de demora hará la cuenta regresiva hasta que el ciclo comience.

NOTA: Para ajustar la cantidad de tiempo de demora más rápido, puede presionar y mantener presionado el botón **Delay Dry** (Secado Retrasado).

Secado Retrasado para secadoras conectadas WiFi

Hay dos opciones para configurar **Delay Dry** (Secado Retrasado) con su teléfono inteligente.

Opción 1: Siga las instrucciones de **Delay Dry** (Secado Retrasado). Puede utilizar la aplicación de lavandería **GE Appliances Laundry** para ajustar la cantidad de tiempo vía su teléfono inteligente.

Opción 2: Ajuste la secadora en "AP" con el botón **Delay Dry** (Secado Retrasado). Esto le permite utilizar la aplicación de lavandería **GE Appliances Laundry** vía su teléfono inteligente para iniciar la secadora de forma remota en el momento de su elección. Si la secadora está ajustada en AP sin actividad, la secadora iniciará 24 horas más tarde.

Air Fluff (Esponjado con aire) (en algunos modelos)

Brinda 10 minutos de giro sin calor. **NOTA:** En los modelos sin ciclo de **AIR FLUFF** (Esponjado con aire), seleccione **TIMED DRY** (Secado por Tiempo) y configure **Temp** en **No Heat** (Sin calor).

Sound (Sonido) (en algunos modelos)

Para cambiar el nivel de volumen de la señal de final del ciclo y el volumen del botón de presión, presione el botón tantas veces como sea necesario hasta llegar al volumen deseado. En algunos modelos hay cuatro niveles de sonido, incluyendo apagado, otros modelos tienen Apagado/Encendido (Off/On) con la función de presionar y mantener.

NOTA:

- Retire las prendas de forma rápida al escuchar el sonido de la señal. Coloque la ropa en perchas, de modo que las arrugas no se asienten.
- Use la función **Sound** (Sonido) especialmente al secar telas tales como poliéster, tejidos y planchado permanente. Estas telas se deberían retirar, de modo que las arrugas no se asienten.

Wrinkle Care (Prevención de arrugas)

Use esta opción para minimizar las arrugas en la ropa. Brinda 1 hora de giro sin calor una vez que la ropa está seca. Si está usando el ciclo **Sound** (Sonido) y seleccionó la opción **Wrinkle Care** (Prevención de arrugas), sonará una señal al final del tiempo de secado y varias veces durante el ciclo **Wrinkle Care** (Prevención de arrugas). Esto le recordará que es hora de retirar la ropa.

More Time + / Less Time - (Más tiempo + / Menos tiempo -)

El Tiempo configurado del ciclo seleccionado podrá ser luego ajustado, por incrementos de un minuto, presionando las teclas **More Time +** (Más Tiempo) o **Less Time -** (Menos Tiempo).

ecoDry (Secado economico)

Disponible para **BULKY** (Prendas Voluminosas), **TOWELS** (Toallas), **COTTONS** (Prendas de Algodón), **MIXED LOADS** (Cargas Combinadas), **ACTIVE WEAR** (Ropa deportiva) y **DELICATES** (Prendas Delicadas). Cuando se presiona la tecla **ecoDry**, las configuraciones del ciclo cambian a fin de reducir el consumo de energía total del ciclo del sensor seleccionado. **NOTA:** Los tiempos del ciclo cambiarán cuando se seleccione **ecoDry**. La opción **ecoDry** hará que se active la función **COTTONS** (Algodones) por omisión. Para un ahorro de energía óptimo, active **ecoDry**. Para obtener tiempos de secado óptimos, apague **ecoDry**.

NOTA: Los ahorros de energía variarán de acuerdo a las cargas y ciclos.

Puesta en Marcha

F Opciones (cont.)

Light (Luz del tambor) (en algunos modelos)

La luz del tambor se encenderá si se pulsa el botón **Light** (Luz del tambor) o se abre la puerta. Se apagará cuando la puerta está cerrada, el botón **Light** (Luz del tambor) está presionado o después de 5 minutos si se deja la puerta abierta.

Small Load (en algunos modelos)

Seleccione esta función para una carga pequeña con cualquier ciclo con sensor (Excepto **SANITIZE** (Desinfección)).

My Settings (Mi configuración) (en algunos modelos)

A medida que la perilla del selector de ciclo es girada, las configuraciones de **Tiempo** (secado por tiempo), **Nivel** (nivel de Secado) y **Temp** (temperatura) cambian a configuraciones automáticas preconfiguradas por omisión. Si desea una configuración diferente, presione la tecla(s) apropiada. Luego mantenga presionada la tecla **My Settings** (Mi configuración) durante 3 segundos y la secadora "recordará" estas configuraciones para esa Selección de Perilla. En el futuro, al girar la perilla del selector a ese ciclo, sus configuraciones serán reactivadas de forma automática.

NOTA: El sonido de la señal no se puede configurar para **My Settings** (Mi configuración).

NOTA: En los modelos equipados con **AI** (Inteligencia Artificial), **My Settings** (Mis Configuraciones) se podrá configurar de forma automática en base a sus hábitos de uso. Si desea reiniciar esta función, mantenga presionada la función **My Settings** (Mis Configuraciones) para borrar la memoria.

Control Lock (Bloqueo del Control)

Puede bloquear los controles para evitar que se haga cualquier selección. O puede bloquear los controles luego de haber iniciado un ciclo. Los niños no pueden iniciar de forma accidental la secadora presionando las teclas cuando esta opción haya sido seleccionada.

Para bloquear/desbloquear los controles la secadora, mantenga presionado el botón **Light** (Luz del tambor) durante 3 segundos. El ícono de bloqueo del control parpadeará durante el bloqueo / desbloqueo, se quedará encendido durante el bloqueo y se apagará durante el desbloqueo.

NOTA: El botón **Power** (Encendido) aún podrá ser usado cuando la máquina esté bloqueada.

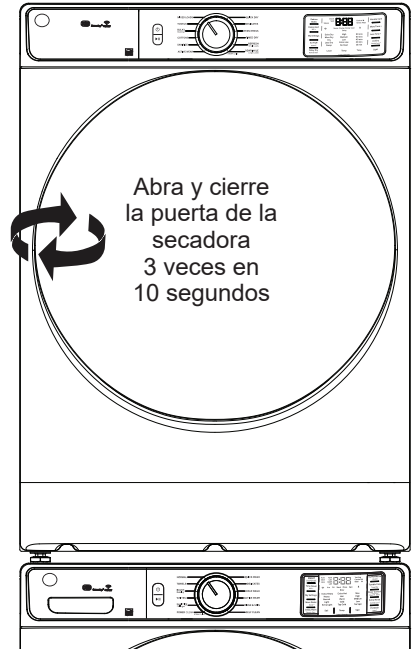
WiFi (Botón de Damp Alert/WiFi)

Mantenga presionada la tecla **Damp Alert/WiFi** (Alerta de Humedad/ WiFi) durante tres segundos para activar esta función.

Puesta en Marcha

Control de secadora: emparejamiento Bluetooth® (en algunos modelos)

1. Encienda tanto la **lavadora** como la **secadora** pero no inicie ningún ciclo.
2. Mantenga presionado el botón **Tumble Care** en la **lavadora** durante 5 segundos hasta que el LED de Bluetooth® (📶) comience a parpadear y escuche un tono audible.
3. Abra y cierre la puerta de la **secadora** 3 veces en 10 segundos para que la lavadora pueda detectarla.
4. La lavadora intentará descubrir la secadora, el ícono Bluetooth® parpadeará y ambas pantallas parpadearán " - - - ".
5. El ícono Bluetooth® de la lavadora debe iluminarse sin parpadear, lo que significa que las máquinas ahora están emparejadas. La pantalla de la lavadora mostrará "bt" una vez que se complete el emparejamiento.
6. Si las unidades Bluetooth® no se emparejan, repita los pasos 1 a 5.
7. Para desemparejar las máquinas, simplemente mantenga presionado el botón **Tumble Care** durante 10 segundos o abra y cierre la puerta de la **secadora** 3 veces en 10 segundos.



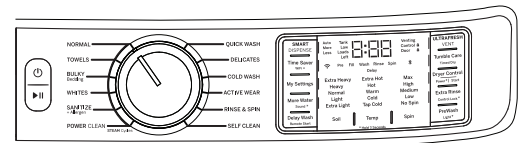
Escanea para obtener instrucciones

Cómo utilizar la función de control Dryer Control de la secadora (en algunos modelos)

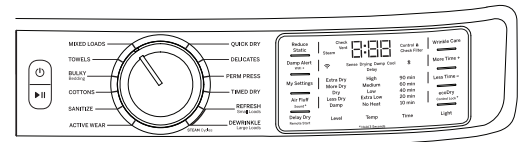
1. Encienda la **lavadora**.
2. Mantenga presionado el botón de control **Dryer Control** de la secadora en la **lavadora** durante 3 segundos para encender la **secadora**.
3. La selección de ciclo de la **secadora** destellará para mostrar el ciclo de sensor recomendado que se empareja con el último ciclo de lavadora completado mientras la pantalla de **lavadora** muestra "dRY".
4. Para usar este ciclo, presione el botón de control **Dryer Control** para iniciar la **secadora**. La **secadora** se puede pausar abriendo su puerta o presionando el botón de control **Dryer Control**. Para reiniciar la **secadora** con la puerta cerrada, simplemente presione el botón de control **Dryer Control**.
5. Para seleccionar **Timed Dry** en lugar del ciclo de secado automático, simplemente presione el botón **Timed Dry** en la **lavadora** mientras la pantalla dice "dRY". Las pulsaciones sucesivas de este botón pasarán por los tiempos de secado programado predeterminados (el valor predeterminado es 10 minutos).
6. Una vez que haya seleccionado la duración del **Timed Dry** programado, presione el botón de **Dryer Control** dentro de los 10 segundos para iniciar la secadora.



Lavadora



Secadora



NOTA: El panel de control **Dryer Control** de su **secadora** es totalmente funcional incluso cuando usa el control de la secadora a través de la **lavadora**.

Apagar la **lavadora** no apagará la **secadora** cuando esté en curso un ciclo de secado.

Carga

Siempre siga las instrucciones del fabricante de la ropa cuando lave.

Consejos de clasificación y carga

⚠ ADVERTENCIA - Riesgo de incendio

- Mantenga cualquier material y vapores inflamables, tales como gasolina, alejados de la secadora.
- **NO** seque nada que alguna vez haya tenido algo inflamable en éste (incluso luego de lavar).
- Ninguna lavadora puede eliminar el aceite por completo.
- **NO** seque nada que alguna vez haya tenido algún tipo de aceite (incluyendo aceites de cocina).
- Las prendas con gomaespuma, goma, o plástico deberán ser secadas en un tendedero.
- Si no se cumple con esto, se podrá producir muerte, explosión o incendio.

Como regla general, si las prendas están bien clasificadas para la lavadora, estarán bien clasificadas para la secadora. También trate de clasificar las prendas de acuerdo al tamaño. Por ejemplo, no seque una sábana con medias u otros elementos pequeños.

No agregue suavizante de telas una vez que la carga se ha calentado. Esto puede provocar manchas de suavizante. El acondicionador de telas Bounce® en hojas para secadoras ha sido aprobado para su uso en esta secadora cuando se utiliza de acuerdo con las instrucciones del fabricante.

No la sobrecargue. Eso malgasta energía y provoca arrugas.

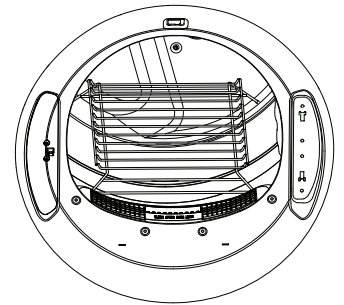
La rejilla de secado (Disponible como opción)

La rejilla de secado se puede usar para secar artículos delicados tales como suéteres lavables.

Para instalar el estante de secado, coloque el mismo totalmente dentro del tambor de la secadora y ajuste sus patas y asegure las mismas en la secadora.

NOTAS:

- La rejilla de secado debe utilizarse con el ciclo **TIMED DRY** (Secado cronometrado). El uso con ciclos por sensor pueden dejar las prendas húmedas o generar ciclos prolongados.
- No utilice esta rejilla de secado cuando haya otras prendas en la secadora.
- Si tu modelo no viene con la rejilla de secado, ordena hoy **WE02X29449** vía on-line a **GEApplianceparts.com**, 24 horas al día o por teléfono al **877.959.8688** durante las horas normales de trabajo.



Cuidado y limpieza

Interior y Conducto

Un técnico calificado debe limpiar la parte interna del aparato y del conducto de salida una vez por año.

El ducto de escape: Inspeccione y limpie el ducto de escape por lo menos una vez al año para evitar los obstrucciones. Un escape parcialmente taponado puede prolongar el plazo de secado.

Siga estos pasos:

- 1 Apague el suministro eléctrico desconectando el enchufe de la pared.
- 2 Desconecte el conducto de la secadora.
- 3 Aspire el conducto con la conexión de manguera y vuelva a conectarlo.

La salida de escape: Verifique, utilizando un espejo, que las aletas interiores de la salida de escape se mueven libremente durante la operación. Asegúrese de que ningún animal (pájaros, insectos, etc.) haya hecho su nido en el interior del conducto o en la salida de escape.

Exterior

Pásele un trapo y elimine el polvo o cualquier derrame de productos de lavandería con un trapo húmedo. Los productos de tratamiento para quitar mugre y manchas podrían dañar el panel de control de la secadora y afectar su apariencia. Aplique estos productos a cierta distancia de la secadora. Luego las telas podrán lavarse y secarse normalmente. Los daños causados a la secadora por estos productos no están cubiertos bajo su garantía.

El filtro de pelusa

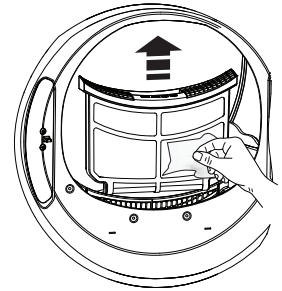
Limpie el filtro de pelusa antes de cada uso.

Retire el mismo presionando hacia arriba. Pase los dedos por el filtro. Es posible que se forme una acumulación de cera en el filtro de pelusas debido al uso de suavizantes de tela agregados a la secadora.

Para eliminar dicha acumulación, lave la rejilla para atrapar pelusas con agua tibia y jabón. Seque totalmente y realice el reemplazo.

Si observa un cambio en el funcionamiento de la secadora, aspire la pelusa del área del filtro de pelusas de la secadora.

NUNCA OPERE LA SECADORA SIN EL FILTRO EN SU LUGAR.



Acero inoxidable (solo en los modelos GFD85 y PFD95)

Para limpiar superficies de acero inoxidable, utilice un paño húmedo con un limpiador suave y no abrasivo adecuado para superficies de acero inoxidable. Quite los restos de limpiador y luego seque con un paño limpio.

El acero inoxidable utilizado para fabricar el tambor de la secadora ofrece la mayor confiabilidad de una secadora GE Appliances. Si el tambor de la secadora se raya o abolla durante un uso normal, éste no se oxidará o corroerá. Estas imperfecciones de la superficie no afectan la función o durabilidad del tambor.

Acero Aluminizado Alcosta (en todos los demás modelos)

El acero usado para fabricar el tambor de la secadora cuenta con un revestimiento de aluminio sobre su superficie, el cual evita la oxidación y la corrosión. Cualquier mancha sobre la superficie no afectará el funcionamiento ni la durabilidad del tambor.

Para limpiar la superficie de Alcosta, use una tela húmeda con un limpiador suave y no abrasivo adecuado para superficies de acero inoxidable. Retire los residuos del limpiador y luego seque con una tela limpia.

Luz del Tambor (en algunos modelos)

La luz del tambor es una luz LED. Su reemplazo debe ser realizado por un técnico calificado.

Instrucciones de instalación

Secadora

Si tiene alguna pregunta, llame GE Appliances a 800.GE.CARES (800.432.2737) o visite nuestro sitio Web en: GEAppliances.com

ANTES DE COMENZAR

Lea estas instrucciones por completo y con detenimiento.

- **IMPORTANTE** – Guarde estas instrucciones para el uso de inspectores eléctricos locales.
- **IMPORTANTE** – Cumpla con todos los códigos y ordenanzas vigentes.
- Instale la secadora de acuerdo con las instrucciones del fabricante y los códigos locales.
- **Nota al instalador** – Asegúrese de dejar estas instrucciones con el consumidor.
- **Nota al usuario** – Conserve estas instrucciones para referencia futura.
- La instalación de la secadora debe efectuarla un instalador calificado.
- Esta secadora debe tener una salida al exterior.
- Antes de que la secadora antigua sea retirada del servicio o eliminada, quítele la puerta.
- La información sobre reparaciones y el diagrama del cableado se encuentran en la consola de control.
- No permita que niños se suban o se metan dentro del artefacto. Se requiere una supervisión estricta cuando el aparato es utilizado cerca de niños.
- El instalador tiene la responsabilidad de efectuar una instalación adecuada.
- La garantía no cubre las fallas del producto debido a una instalación incorrecta.
- Instale la secadora en lugares donde la temperatura sea mayor a 50°F para un funcionamiento satisfactorio del sistema de control de la secadora.
- Quite y descarte el conducto existente de plástico o de papel de aluminio y coloque un conducto aprobado por UL.

Si planea apilar la lavadora y secadora, solicite el kit de apilado número **GFA24KITL** para usar con esta secadora. El kit se vende por separado.

⚠ ADVERTENCIA

- Riesgo de incendios

- La instalación de la secadora debe efectuarla un instalador calificado.
- Instale la secadora de ropa de acuerdo con estas instrucciones y en cumplimiento con los códigos locales.
- **NO** instale una secadora de ropa con conductos de plástico flexible. Si se instala un conducto flexible de metal (semi rígido o de tipo papel de aluminio), debe estar aprobado por UL e instalarse de acuerdo con las instrucciones de “Cómo conectar la secadora a la ventilación doméstica” de este manual. Los materiales de los conductos flexibles a menudo se desploman, se aplastan y atrapan pelusas. Estas condiciones obstruyen la corriente de aire de la secadora e incrementan el riesgo de incendio.
- **NO** instale o almacene este aparato en un lugar donde se vea expuesto al agua o a las inclemencias del tiempo.
- Para reducir el riesgo de una lesión grave o de muerte, cumpla con todas las instrucciones de instalación.
- Guarde estas instrucciones. (Instaladores: Asegúrense de dejar estas instrucciones al consumidor).

SECADORAS A GAS ÚNICAMENTE

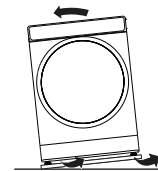
En la Mancomunidad de Massachusetts, se aplican las instrucciones de instalación siguientes:

- Este producto debe instalarlo un plomero matriculado o un instalador de gas.
- Cuando use válvulas esféricas de apagado de gas, deberán ser del tipo de manija en T.
- Si se usa una conexión flexible para gas, ésta no debe superar 1,22 m (4 pies).

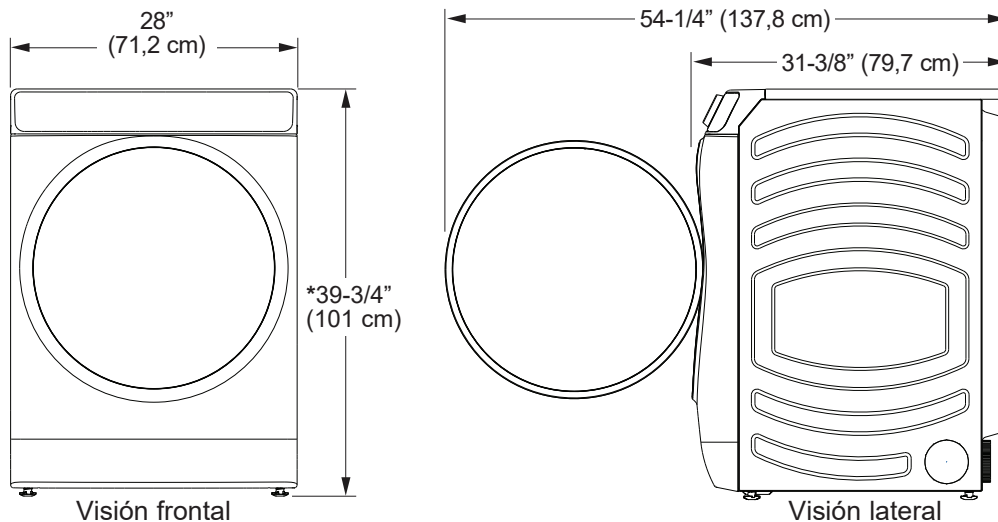
Instrucciones de instalación

CÓMO DESEMPACAR LA SECADORA

Incline la secadora de costado y saque los paños de espuma de embalaje tirando de los costados y quitándolos de las patas de la secadora. Asegúrese de quitar todas las piezas de espuma de las patas. Saque la bolsa que contiene la información. Tenga en cuenta las opciones de reciclaje del material de embalaje de su electrodoméstico.



DIMENSIONES DE LA SECADORA



***NOTA:** Con las patas niveladoras retraídas: 39-3/4" (101 cm).
 Con las patas niveladoras completamente extendidas: 40-5/8" (103,1 cm).
 Con pedestal opcional: 55-1/2" (141 cm) Min. - 56-5/8" (143,8 cm) Max.
 Apilada: 79-1/8" (201 cm).

MANGUERA DE VAPOR Y AGUA (sólo para los modelos de secadoras de vapor):

GE Appliances recomienda enfáticamente el uso de piezas específicas de fábrica. A continuación figura una lista de mangueras de fábrica que podrá adquirir. Dichas mangueras son fabricadas y probadas de modo que se cubran las especificaciones de GE Appliances.

GE Appliances recomienda enfáticamente el uso de nuevas mangueras de suministro de agua. Con el paso del tiempo, las mangueras se degradan y deben ser reemplazadas cada 5 años, a fin de reducir el riesgo de fallas sobre las mismas y daños con el agua.

Piezas y Accesorios

Ordene hoy a través de Internet en GEApplianceparts.com, las 24 horas del día o en forma telefónica llamando al **877.959.8688**, durante el horario comercial habitual.

Número de Pieza	Accesorio
WE25X20060	Kit Completo (mangueras, adaptador en Y, arandelas) o
WE49X25794	Kit (Manguera corta, adaptador en Y, arandelas) y
WE1M847	Manguera Larga
O POR SEPARADO	
WE1M847	Manguera Larga y
WE1M848	Manguera Corta

ACCESORIOS:

Ordene hoy a través de Internet en GEApplianceparts.com, las 24 horas del día o en forma telefónica llamando al **877.959.8688**, durante el horario comercial habitual.

Número de Pieza	Accesorio
GFR0728SNWW	Elevador blanco
GFR0728PNSN	Elevador de Níquel Satinado
GFR0728PNRS	Elevador de Zafiro Real
GFR0728PNDG	Elevador de Diamante Gris
GFR0728PTDS	Elevador de pizarra negra

Número de Pieza	Accesorio
GFA28KITN	Kit para apilar Secadora sobre Lavadora
GFA28DSVN (WE16X29317)	Kit de ventilación de la secadora
PM08X10085	Ducto de transición de metal flexible
WE02X29449	La rejilla de secado
GFP1528SNWW	Pedestal blanco
GFP1528PNSN	Pedestal de Níquel Satinado
GFP1528PNRS	Pedestal de Zafiro Real
GFP1528PNDG	Pedestal de Diamante Gris
GFP1528PTDS	Pedestal de pizarra negra

Instrucciones de instalación

REQUERIMIENTOS PARA INSTALACIÓN EN NICHOS O ARMARIOS

ADVERTENCIA - Riesgo de explosión

Mantenga cualquier material y vapores inflamables, tales como gasolina, alejados de la secadora.

Coloque la secadora a por lo menos 18" (46 cm.) del piso cuando sea instalada en un garaje.

Si no se cumple con esto, se podrá producir una explosión, incendio o la muerte.

- Esta secadora DEBE tener una ventilación al exterior.
- El espacio libre mínimo entre el armario de la secadora y las paredes adyacentes u otras superficies es:
 - 0" (0 cm) sobre ambos lados*
 - 0" (0 cm) sobre el frente
 - 0" (0 cm) la parte trasera
 - 0" (0 cm) superior

*Para mejorar el desempeño, se sugiere un espacio libre de 1/2" (12,7 mm) en cada lado.

- La parte posterior de la secadora debe mirar hacia una pared.
- Se deberá considerar que se debe brindar el despeje adecuado para la instalación y el servicio técnico.
- Las puertas del armario deben contar con rejillas u otro tipo de ventilación y tener por lo menos 60 pulgadas cuadradas (387 cm²) de espacio abierto. Si el armario incluye una lavadora y una secadora, las puertas deben contener un mínimo de 120 pulgadas cuadradas (774 cm²) de espacio abierto.

NOTA: CUANDO EL CONDUCTO DE SALIDA ESTÁ UBICADO EN LA PARTE TRASERA DE LA SECADORA, LA CONFIGURACIÓN DEL DUCTO PODRÍA REQUERIR DETRÁS UN CLARO MAYOR.

Secadoras a Gas Únicamente:

- No se deberá instalar ningún otro electrodoméstico que consuma combustible en el mismo armario donde haya una secadora a gas.
- La secadora se deberá desconectar de la tubería de suministro de gas durante la prueba de presión en presiones superiores a 1/2 psi (3.5 kPa).
- Una rosca cubierta NPT de 1/8" (3,2 mm), accesible para la conexión de un dispositivo de calibración, deberá ser instalada inmediatamente arriba de la conexión del suministro de gas a la secadora.

ESPACIO LIBRE MÍNIMO EN OTROS ESPACIOS QUE NO SEAN INSTALACIONES EN NICHOS O ARMARIOS

Los espacios libres mínimos respecto de superficies combustibles y de aberturas de aire son: 0" (0 cm) a ambos lados*, 0" (0 cm) en la parte trasera y 0" (0 cm) superior.

*Para mejorar el desempeño, se sugiere un espacio libre de 1/2" (12,7 mm) en cada lado.

La parte posterior de la secadora debe mirar hacia una pared.

Debe tenerse en cuenta un espacio libre adecuado para un funcionamiento y reparación correctos.

INSTALACIÓN EN CASAS MÓVILES O PREFABRICADAS

- Instalación DEBE cumplir con la NORMA SOBRE CONSTRUCCIÓN Y SEGURIDAD DE CASAS PREFABRICADAS, TÍTULO 24, PARTE 3280 o NORMA PARA CASAS RODANTES CAN/CSA-Z240 MH, o, cuando dicha norma no sea aplicable, con la NORMA NACIONAL ESTADOUNIDENSE PARA CASAS MÓVILES, ANSI/NFPA N° 501B.
- La secadora DEBE tener ventilación al exterior.
- La ventilación del escape DEBERÁ estar ajustado de forma segura a una parte no combustible de la casa rodante.
- La ventilación NO DEBE terminar debajo de una casa móvil o prefabricada.
- El material del conducto de ventilación DEBE SER METAL.
- DEBE utilizarse el KIT 14-D346-33 para conectar bien la secadora a la estructura.
- La ventilación NO DEBE conectarse a ningún otro conducto, ventilación o chimenea.
- NO utilice tornillos para placas de metal u otros dispositivos de sujeción que se extiendan al interior de la ventilación de salida.
- Debe contar con una abertura con un espacio libre de por lo menos 25 pulgadas cuadradas (63 cm²) para el ingreso de aire exterior dentro de la secadora habitación.
- Para acceder a información sobre la conexión eléctrica, consulte la sección.

Instrucciones de instalación

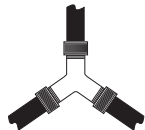
CÓMO CONECTAR MANGUERAS DE ENTRADA (sólo para los modelos de secadoras de vapor)

CÓMO CONECTAR MANGUERAS DE ENTRADA

Para producir vapor, la secadora debe conectarse al suministro de agua fría. Ya que la lavadora también debe conectarse al agua fría, debe introducirse un conector en "Y" para permitir que ambas mangueras de entrada puedan utilizarse al mismo tiempo.

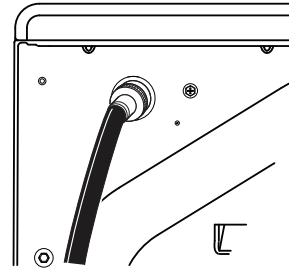
NOTA: Utilice nuevas mangueras de entrada; nunca utilice mangueras viejas.

1. Cierre el grifo de agua fría. Quite la manguera de entrada de la lavadora del conector de la válvula de llenado (fría).
2. Asegúrese de que la arandela plana de goma se encuentre en su lugar y sujete una unión hembra de la manguera corta provistas en el conector de la válvula de llenado de la lavadora. Ajuste a mano hasta que esté firmemente asentada.
3. Sujete un extremo macho del conector en "Y" a la unión hembra de la manguera corta. Asegúrese de que la arandela plana de goma se encuentre en su lugar. Ajuste a mano hasta que esté firmemente asentada.



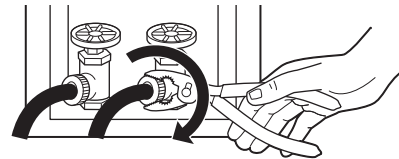
4. Introduzca el filtro en la unión de la manguera de entrada de la lavadora. Si la arandela plana de goma ya se encuentra en su lugar, quítela antes de instalar el filtro. Sujete esta unión a un extremo macho del conector en "Y". Ajuste a mano hasta que esté firmemente asentada.
5. Asegúrese de que la arandela de goma plana se encuentra en su posición y coloque una manguera de entrada de agua de 4 pies (1,2 m) a 6 pies (1,8 m) de largo (puede ser necesario comprarla por separado) a un extremo macho del conector "Y". Apriete con la mano hasta que quede firmemente asentado.
6. Asegúrese de que la arandela plana de goma se encuentre en su lugar y sujete el otro extremo de la manguera larga de entrada al conector de la válvula de llenado en la parte inferior del panel trasero de la secadora. Ajuste a mano hasta que esté firmemente asentada.

CÓMO CONECTAR MANGUERAS DE ENTRADA (cont.)



7. Utilizando alicates, ajuste todas las uniones con un giro adicional de dos tercios.

NOTA: No ajuste de más. Pueden dañarse las uniones.



8. Abra el grifo de agua.
9. Controle la presencia de pérdidas alrededor del conector en "Y", el grifo y las uniones de las mangueras.

REQUISITOS DE SUMINISTRO DE AGUA



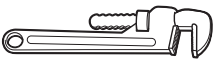


Los grifos de agua caliente y fría DEBEN instalarse dentro de las 42 pulg. (107 cm) de la entrada de agua de la lavadora. Los grifos DEBEN ser del tipo de manguera de jardín de 3/4" (19,1 mm) para que las mangueras de entrada puedan conectarse. La presión de agua DEBE hallarse entre 10 y 120 libras por pulgada cuadrada. La compañía de agua puede informarle sobre la presión de agua.

NOTA: Se recomienda el uso de un suavizante de agua para reducir la acumulación de sarro dentro del generador de vapor si el suministro doméstico contiene agua muy dura.

Instrucciones de instalación

CÓMO CONECTAR UNA SECADORA A GAS (si se cuenta con una secadora eléctrica, saltar este paso)

HERRAMIENTAS NECESARIAS

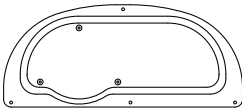
- Llaves ajustables de 10" (25,40 cm) (2)

- Destornillador de lados planos

- Llave para tubos de 8" (20,32 cm)

- Pinzas

- Nivel


MATERIALES NECESARIOS

GFA28DSVN Kit

(Todas las piezas incluidas en este kit o las piezas se pueden comprar por separado)

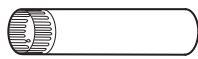
- Panel de Acceso



- Codo de metal de 4" (10,2 cm) diámetro



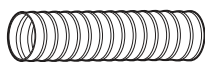
- Conducto de metal de 4" (10,2 cm) diámetro (recomendado)



- Abrazaderas de tubería de 4" (10,2 cm) (2) o abrazaderas de resorte de 4" (10,2 cm) (2)



- Conducto de metal flexible de 4" (10,2 cm) diámetro (si fuese necesario)



- Cinta de papel aluminio



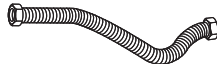
- Campana de salida



- Compuesto o PTFE cinta para tuberías



- Conector de tubería de gas flexible



- Gas adaptador (2), codo y tapón de tubería



- Solución jabonosa para detección de pérdidas



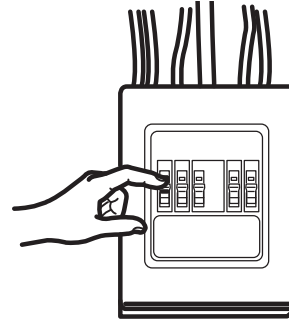
- Guantes



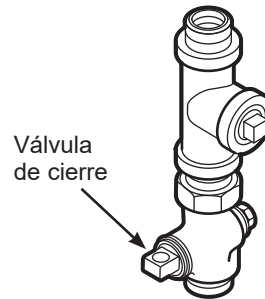
- Gafas de seguridad



- Antes de comenzar la instalación, apague el disyuntor o quite los fusibles de la secadora de la caja eléctrica. Verifique que el cable de la secadora esté desenchufado del tomacorriente.



- Gire a la posición OFF (apagado) la válvula de gas de la secadora de la línea de suministro.



- Desconecte y elimine el conector flexible de gas y el material del conducto.



Instrucciones de instalación

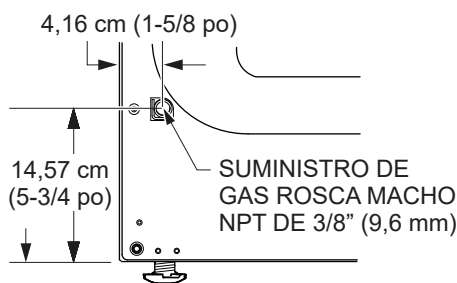
CÓMO CONECTAR UNA SECADORA A GAS (cont.)

REQUERIMIENTOS DE GAS

⚠ ADVERTENCIA - Riesgo de explosión

- Use una línea nueva de suministro de gas flexible que esté aprobada por CSA International. Nunca vuelva a usar conectores flexibles viejos.
 - Instale una válvula de cierre manual individual dentro de 6 pies de la secadora en acuerdo con el Código Nacional de Gas Combustible, ANSI Z223.1 / NFPA 54.
 - De forma segura ajuste todas las conexiones de gas.
 - Si la conexión fue realizada a gas LP, solicite a una persona calificada que le asegure que la presión del gas **NO** supera una columna de agua de 13" (33 cm).
 - Ejemplos de una persona calificada incluyen: Personal de calefacción calificado, personal autorizado de una compañía de gas, y personal autorizado del servicio técnico.
 - Si no se cumple con esto, se podrá producir la muerte, una explosión o incendio.
- La instalación deberá ser conforme con los códigos locales, o en ausencia de los códigos locales, con el Código Nacional de Gas Combustible (National Fuel Gas Code), ANSI Z223.1/NFPA 54, o el Código de Instalación de Gas Natural o Propano (Natural Gas and Propane Installation Code), CSA B149.1.

CONEXIÓN DE SUMINISTRO DE GAS DE LA SECADORA



NOTA: Agregue a la dimensión vertical la distancia entre la parte inferior del gabinete y el piso.

Debe utilizar un conector flexible metálico listado por ANSI Z21.24/CSA 6.10. La longitud del conector no excederá 4 pies (1,2 m).

SUMINISTRO DE GAS

- Debe instalarse una toma a rosca de 1/8" (3,2 mm) NPT, accesible para una conexión del manómetro de prueba, inmediatamente en sentido ascendente de la conexión de suministro de gas hacia la secadora. Si tiene dudas sobre la instalación de la toma, comuníquese con su empresa proveedora de gas local.
- La línea de suministro debe ser de tubería rígida de 1/2" (12,7 mm) y debe contar con un cierre accesible dentro de los 6 pies (1,8 m) de la secadora, dentro de la misma habitación donde se encuentra la misma.
- Utilice compuesto para rosca de tubería apropiado para gas natural o LP o utilice cinta de PTFE.
- Una el conector de metal flexible a la secadora y al suministro de gas.

⚠ ADVERTENCIA - Riesgo de incendio

PARA USO EXCLUSIVAMENTE CON GAS NATURAL

La secadora, tal como está hecha por el fabricante, es para ser utilizada sólo con un suministro de gas natural. Para convertir esta secadora para el suministro de gas propano se requiere un kit de conversión suministrado por el fabricante. Utilice el kit de conversión de gas propano WE25M87. La conversión debe ser realizada por un personal debidamente capacitado y cualificado, de acuerdo con los códigos y ordenanzas locales.

AJUSTE PARA ELEVACIÓN

- Los niveles de entrada de las secadoras de ropa a gas están basados en el funcionamiento al nivel de mar y no necesitan ajustes para funcionar en o por debajo de los 2000 pies (610 m) de elevación. Para un funcionamiento a más de 2000 pies (610 m) de elevación, los niveles de entrada se deberían reducir a un promedio del 4 por ciento por cada 1000 pies (305 m) sobre el nivel del mar.
- La instalación debe cumplir con los códigos y ordenanzas locales, o en su ausencia, con el CÓDIGO NACIONAL DE GAS COMBUSTIBLE (NATIONAL FUEL GAS CODE), ANSI Z223.

Instrucciones de instalación

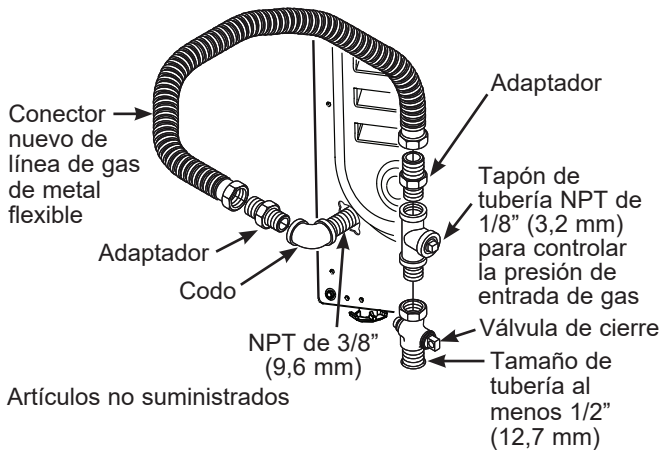
CÓMO CONECTAR UNA SECADORA A GAS (cont.)

CÓMO CONECTAR LA SECADORA AL SUMINISTRO DE GAS

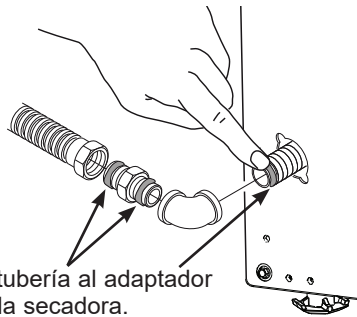
- A** Instale un codo hembra NPT de 3/8" (9,6 mm) al final de la entrada de gas de la secadora. Instale un adaptador de unión cónica de 3/8" (9,6 mm) al codo hembra.

IMPORTANTE: Utilice una llave para tubos para sostener bien el extremo de la entrada de gas de la secadora para no doblar la entrada.

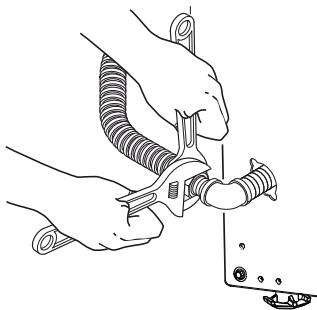
NOTA: Aplique compuesto para tubería o cinta PTFE a las roscas del adaptador y la entrada de gas de la secadora.



- B** Una el conector de tubería de gas de metal flexible al adaptador.



- C** Ajuste la conexión de tubería flexible de gas, utilizando dos llaves ajustables.

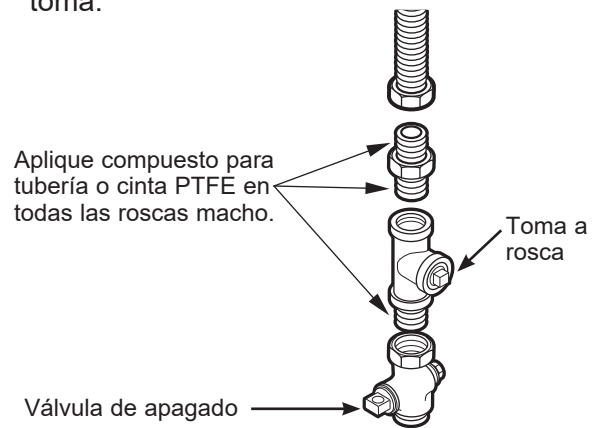


CÓMO CONECTAR LA SECADORA AL SUMINISTRO DE GAS (cont.)

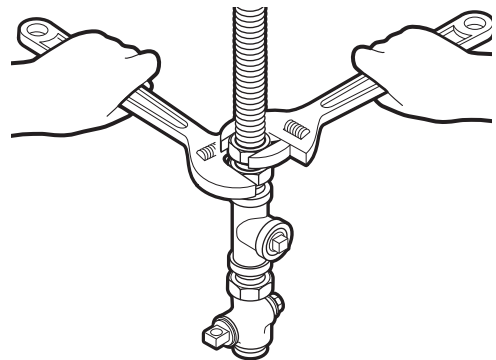
- D** Instale una toma a rosca de 1/8" (3,2 mm) NPT en la válvula de apagado de la tubería de gas de la secadora para controlar la presión de gas en la entrada.

Instale un adaptador de unión cónica en la toma a rosca.

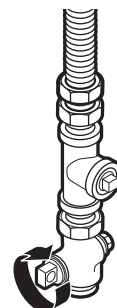
NOTA: Aplique compuesto para tubería o cinta PTFE a las roscas del adaptador y a la toma.



- E** Ajuste todas las conexiones mediante dos llaves ajustables. **No ajuste de más.**



- F** Cierre la válvula de apagado del gas.



Instrucciones de instalación

CÓMO CONECTAR UNA SECADORA A GAS (cont.)

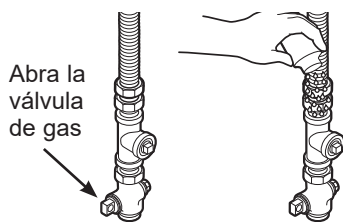
PRUEBA DE PÉRDIDAS

Nunca utilice una llama abierta para detectar pérdidas de gas.

Controle todas las conexiones con una solución jabonosa o un elemento equivalente.

Aplice una solución jabonosa. La solución para controlar pérdidas no debe contener amoníaco, ya que este producto puede dañar los accesorios de bronce.

Si se detectan pérdidas, cierre la válvula, vuelva a ajustar la junta y repita la prueba de la solución jabonosa.



CONEXIÓN ELÉCTRICA INFORMACIÓN SOBRE LAS SECADORAS A GAS

⚠ ADVERTENCIA  - **Riesgo de Descarga Eléctrica**

Enchufe en un tomacorriente con conexión a tierra de 3 cables.

NO retire la conexión a tierra.

NO UTILICE un cable de extensión.

NO UTILICE un enchufe adaptador con este artefacto.

Si no cumple con esto, se podrá producir la muerte, incendio o descarga eléctrica.

- Circuito - individual, correctamente polarizado y conectado a tierra, interruptor de 15 o 20 amperios o un fusible de retardo.

- Potencia - 2 hilos más la tierra, 120 voltios, monofásica, 60 Hz, corriente alterna.

- Tomacorriente de salida - Receptáculo de 3 clavijas debidamente conectado a tierra, deberán colocarse de modo que el cable de alimentación esté accesible cuando la secadora está



instalada en su posición final. Si el circuito tiene un receptáculo de 2 clavijas, es responsabilidad del propietario de reemplazarlo con un receptáculo de 3 clavijas debidamente conectado a tierra por un electricista autorizado.

CONEXIÓN ELÉCTRICA INFORMACIÓN SOBRE LAS SECADORAS A GAS (cont.)

- La secadora debe estar conectada a tierra según los códigos y ordenanzas locales, o, en ausencia de tales códigos, según la última edición del Código Eléctrico Nacional, ANSI/NFPA NO. 70 o del Código Eléctrico Canadiense, CSA C22.1. Consulte con un electricista calificado si no está seguro de que la secadora esté correctamente conectada a la tierra.

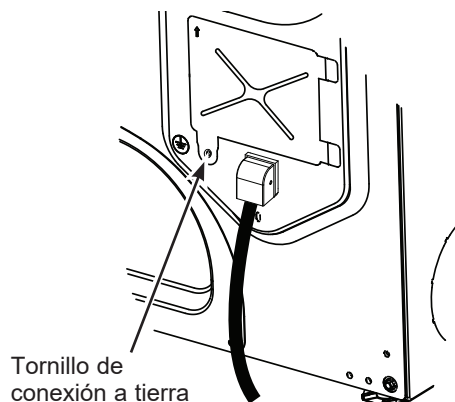
INSTRUCCIONES DE CONEXIÓN A TIERRA

Este secadora deberá estar conectado a tierra. En caso de mal funcionamiento o avería, la conexión a tierra reducirá el riesgo de descargas eléctricas al brindar un camino con una resistencia menor para la corriente eléctrica. Este secadora está equipada con un cable con un conductor para la conexión a tierra del equipo y un enchufe con conexión a tierra. El enchufe deberá estar conectado a un tomacorriente instalado en forma adecuada y con conexión a tierra de acuerdo con todos los códigos y ordenanzas locales.

⚠ ADVERTENCIA Una conexión inapropiada del conductor de conexión a tierra del equipo puede provocar riesgos de descargas eléctricas. Consulte a un electricista calificado o personal o representantes del servicio técnico si tiene dudas de que el electrodoméstico se encuentre conectado a tierra apropiadamente. **NO** modifique el enchufe en el cable de suministro de corriente. Si no coincide con la toma de corriente, contrate a un electricista calificado para que instale una toma de corriente en forma adecuada.

GUARDE ESTAS INSTRUCCIONES

- Si los códigos locales lo requieren, se puede añadir un hilo de cobre externo de conexión a tierra de calibre 18 o más. Conecte el cable a la parte posterior del gabinete de la secadora con tornillos de plancha # 8-18 x 1/2" (12,7 mm) (disponible en cualquier ferretería) como se ilustra.




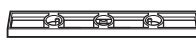


Instrucciones de instalación

CÓMO CONECTAR UNA SECADORA ELECTRICA

(Sáltese si se trata de las secadoras a gas o si su secadora ya tiene un cable de alimentación conectado)


HERRAMIENTAS NECESARIAS


- Pinzas 
- Destornillador Phillips 
- Destornillador de lados planos 
- Nivel 


MATERIALES NECESARIOS

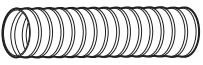
GFA28DSVN Kit
(Todas las piezas incluidas en este kit o las piezas se pueden comprar por separado)

- Panel de Acceso 


- Codo de metal de 4" (10,2 cm) diámetro 


- Conduto de metal de 4" (10,2 cm) diámetro (recomendado) 

- Abrazaderas de tubería de 4" (10,2 cm) (2) o abrazaderas de resorte de 4" (10,2 cm) (2) 

- Conduto de metal flexible de 4" (10,2 cm) diámetro (si fuese necesario) 

- Cinta de papel aluminio 

- Campana de salida 

- Abrazadera metálica con amortiguador de refuerzo (reconocido por UL) 

- Kit de cable de energía de la secadora (no incluido con la secadora)

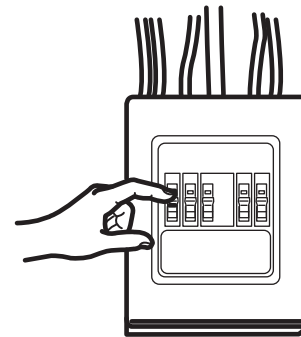
Clasificado UL, de 120/240V, 30A con 3 o 4 patas. Identifique el tipo de enchufe según el tomacorriente de la vivienda antes de comprar el cable.

Si realiza la instalación sobre una base apilable podrá necesitar un cable de hasta 6 pies (1,8 m) de longitud.

- Guantes 

- Gafas de seguridad 

Antes de efectuar la conexión eléctrica, desactive los disyuntores o quite los fusibles del circuito de la secadora de la caja eléctrica. Verifique que el cable de la secadora esté desenchufado del tomacorriente. **NUNCA OLVIDE DE VOLVER A COLOCAR LA TAPA DE ACCESO DEL BLOQUE TERMINAL.**



⚠ ADVERTENCIA - Riesgo de Descarga Eléctrica

Desconecte el suministro de corriente antes de realizar el servicio técnico.

Reemplace todas las piezas y paneles antes de utilizar. Si no cumple con esto, se podrá producir la muerte o descarga eléctrica.

CABLES DE CORRIENTE

GE Appliances recomienda enfáticamente el uso de piezas específicas de fábrica. Seleccione el cable de corriente que se adecúe a sus requisitos de instalación.

NOTA: Si el circuito de su secadora está en un circuito protegido por un interruptor GFCI, no se permite la instalación de un cable de 3 hilos. El cableado de la casa y la secadora deben configurarse para cables de 4 hilos.

No. de parte	Tipo	Longitud	Amperios
WX9X2	3-Clavijas	4 Pies (1,2 m)	30
WX9X3	3-Clavijas	5 Pies (1,5 m)	30
WX9X4	3-Clavijas	6 Pies (1,8 m)	30
WX9X18	4-Clavijas	4 Pies (1,2 m)	30
WX9X19	4-Clavijas	5 Pies (1,5 m)	30
WX9X20	4-Clavijas	6 Pies (1,8 m)	30

Solicítelos on-line hoy mismo a **GEApplianceparts.com**, las 24 horas del día o por teléfono al **877.959.8688** en horario normal de trabajo.

CONEXIÓN ELÉCTRICA INFORMACIÓN SOBRE LAS SECADORAS ELÉCTRICAS

Para realizar conexiones eléctricas con un cable de corriente:

NOTA: Si el circuito de su secadora está en un circuito protegido por un interruptor GFCI, no se permite la instalación de un cable de 3 hilos. El cableado de la casa y la secadora deben configurarse para cables de 4 hilos.

ADVERTENCIA - Riesgo de incendio

Use un cable de suministro de corriente de la secadora de 30 amperes y 240V de la lista de UL, con terminales de anillo cerradas o terminales de espada con extremos al revés. Use un amortiguador con refuerzo de la lista de UL. Desconecte la corriente antes de realizar conexiones eléctricas.

Conecte el cable neutro (el blanco o el cable central) a la terminal central.

El cable a tierra (verde o pelado) se deberá conectar al conector a tierra verde.

Conecte los dos cables de suministro restantes a las dos terminales restantes.


De forma segura ajuste todas las conexiones eléctricas.

Reemplace la tapa del bloque terminal.

Si no cumple con esto, se podrá producir la muerte, incendio o descarga eléctrica.

INSTRUCCIONES DE CONEXIÓN A TIERRA

Para una secadora conectada con cable con conexión a tierra: Esta secadora deberá estar conectada a tierra. En caso de mal funcionamiento o avería, la conexión a tierra reducirá el riesgo de descargas eléctricas al brindar un camino con una resistencia menor para la corriente eléctrica. Esta secadora está equipada con un cable con un conductor para la conexión a tierra del equipo y un enchufe con conexión a tierra. El enchufe deberá estar conectado a un tomacorriente instalado en forma adecuada y con conexión a tierra de acuerdo con todos los códigos y ordenanzas locales.

 **ADVERTENCIA** Una conexión inapropiada del conductor de conexión a tierra del equipo puede provocar riesgos de descargas eléctricas. Consulte a un electricista calificado o personal o representantes del servicio técnico si tiene dudas de que el electrodoméstico se encuentre conectado a tierra apropiadamente. **NO** modifique el enchufe en el cable de suministro de corriente. Si no coincide con la toma de corriente, contrate a un electricista calificado para que instale una toma de corriente en forma adecuada.

GUARDE ESTAS INSTRUCCIONES

ADVERTENCIA - Riesgo de Descarga Eléctrica

PARA EVITAR DESCARGAS ELÉCTRICAS, DESCONECTE LA ALIMENTACION ELÉCTRICA ANTES DE REALIZAR EL SERVICIO.

Esta secadora debe conectarse a un circuito derivado individual con un cable de cobre de calibre mínimo 10 a través de un fusible de 30 amperios o un interruptor de circuito. **NUNCA** meter un fusible en el cable neutro. Use solo conductores de cobre.

CONEXIÓN ELÉCTRICA INFORMACIÓN SOBRE LAS SECADORAS ELÉCTRICAS

Para conexiones directas de cables:

ADVERTENCIA - Riesgo de incendio

Use un cable de cobre con calibre de 10

Use un amortiguador con refuerzo de la lista de UL.

Desconecte la corriente antes de realizar conexiones eléctricas.

Conecte el cable neutro (el blanco o el cable central) a la terminal central.

El cable a tierra (verde o pelado) se deberá conectar al conector a tierra verde.

Conecte los dos cables de suministro restantes a las dos terminales restantes.

De forma segura ajuste todas las conexiones eléctricas.


Reemplace la tapa del bloque terminal.

Si no cumple con esto, se podrá producir la muerte, incendio o descarga eléctrica.

INSTRUCCIONES DE CONEXIÓN A TIERRA

Para una secadora conectada de forma permanente:

Esta secadora debe estar conectada a un sistema de cableado de metal permanente con conexión a tierra o se debe tender un conductor para la conexión a tierra del equipo con los conductores del circuito y ser conectado al terminal de tierra del electrodoméstico.

 **ADVERTENCIA** Una conexión inapropiada del conducto de conexión a tierra del equipo puede provocar riesgos de descargas eléctricas. Consulte a un electricista calificado o personal o representantes del servicio técnico si tiene dudas de que el electrodoméstico se encuentre conectado a tierra apropiadamente.

GUARDE ESTAS INSTRUCCIONES

ADVERTENCIA - Riesgo de Descarga Eléctrica

PARA EVITAR DESCARGAS ELÉCTRICAS, DESCONECTE LA ALIMENTACION ELÉCTRICA ANTES DE REALIZAR EL SERVICIO.

Esta secadora debe conectarse a un circuito derivado individual con un cable de cobre de calibre mínimo 10 a través de un fusible de 30 amperios o un interruptor de circuito. **NUNCA** meter un fusible en el cable neutro.

Use solo conductores de cobre.

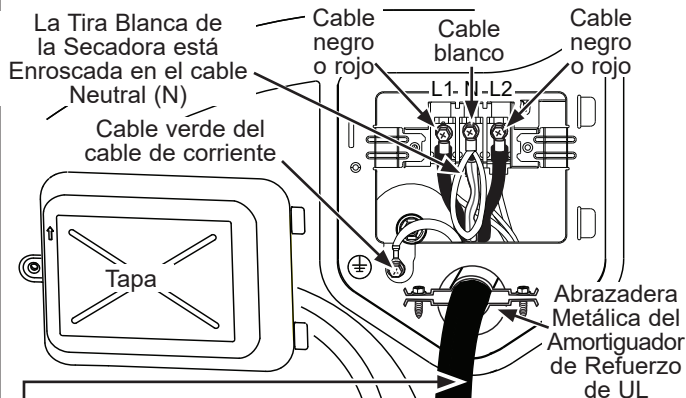
Instrucciones de instalación

CÓMO CONECTAR UNA SECADORA ELECTRICA

CÓMO CONECTAR LA SECADORA USANDO UNA CONEXIÓN DE 4 CABLES (DEBE UTILIZARSE EN INSTALACIONES DE CASAS RODANTES)

NOTA: Desde el 1 de enero de 1996, el Código Eléctrico Nacional exige que las nuevas construcciones utilicen una conexión de 4 cables a una secadora eléctrica. También debe usarse un cable de 4 alambres cuando los códigos locales no permiten una conexión a tierra a través de cable neutral.

NO debe usarse una conexión de tres cables en una construcción nueva.



4 conductores de cobre #10 AWG mínimo o kit de cable de suministro de energía de 120/240V 30A marcado para su uso con secadoras y provisto con terminales de bucle cerrado o hembra con extremos hacia arriba (no provistos).

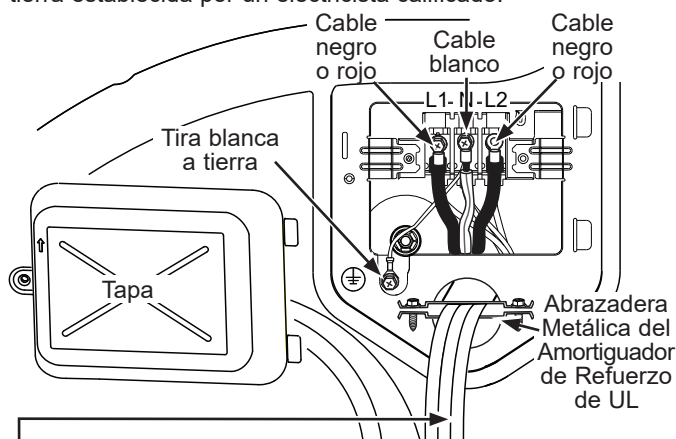
1. Desactive el disyuntor (30 amperios) o quite el fusible del circuito de la secadora de la caja eléctrica.
2. Verifique que el cable de la secadora esté desenchufado del tomacorriente.
3. Retire la tapa del cable de corriente ubicada en la parte inferior trasera.
4. Retire el tornillo a tierra verde y guarde el mismo para su uso en el paso 7. Deje suelto un extremo de la tira blanca y corta hasta el Paso 6. Retire el tornillo central (con la marca N) en el bloque terminal.
5. Coloque la abrazadera del amortiguador de refuerzo reconocido por UL en el agujero de entrada del cable de corriente. Pase el cable de corriente por la abrazadera del amortiguador de refuerzo.
6. Conecte el cable de energía de la siguiente manera:
 - A. Conecte los dos cables vivos a los tornillos externos del bloque terminal (marcado L1 y L2).
 - B. Conecte el cable neutral (blanco) y el extremo suelto de la tira blanca y corta en el centro del bloque terminal (con la marca N).
7. Adhiera el cable a tierra del cable de corriente al tornillo verde de conexión a tierra (agujero sobre la izquierda de la abrazadera del amortiguador de refuerzo). Ajuste por firmemente todos los tornillos (3) del bloque terminal.
8. De forma apropiada, asegure el cable de corriente al amortiguador de refuerzo.
9. Vuelva a instalar la tapa.

NUNCA OLVIDE DE VOLVER A COLOCAR LA TAPA DEL BLOQUE TERMINAL.

CÓMO CONECTAR LA SECADORA USANDO UNA CONEXIÓN DE 3 CABLES

NOTA: Si el circuito de su secadora está en un circuito protegido por un interruptor GFCI, no se permite la instalación de un cable de 3 hilos. El cableado de la casa y la secadora deben configurarse para cables de 4 hilos.

Si así lo requirieran los códigos locales, instale una conexión a tierra externa (no provista) a metal con conexión a tierra, tuberías de agua fría con conexión a tierra u otra conexión a tierra establecida por un electricista calificado.



3 conductores de cobre #10 AWG mínimo o kit de cable de suministro de energía de 120/240V 30A marcado para su uso con secadoras y provisto con terminales de bucle cerrado o hembra con extremos hacia arriba (no provistos).

Conexión de 3 cables

NO usar en Canadá.

NO usar en instalaciones en casas móviles.

NO usar en casas nuevas.

NO usar en vehículos recreativos.

NO usar en áreas donde los códigos locales prohíben la conexión eléctrica a tierra por el medio del cable neutral.

1. Desactive el disyuntor (30 amperios) o quite el fusible del circuito de la secadora de la caja eléctrica.
2. Verifique que el cable de la secadora esté desenchufado del tomacorriente.
3. Retire la tapa del cable de corriente ubicada en la parte inferior trasera.
4. Coloque la abrazadera del amortiguador de refuerzo reconocido por UL en el agujero de entrada del cable de corriente. Pase el cable de corriente por la abrazadera del amortiguador de refuerzo.
5. Conecte el cable de energía de la siguiente manera:
 - A. Conecte los dos cables vivos a los tornillos externos del bloque terminal (marcado L1 y L2).
 - B. Conecte el cable neutral (blanco) al centro del bloque terminal (marcado N).
6. Asegúrese de que la tira blanca con conexión a tierra se encuentre conectada al tornillo verde con conexión a tierra en el gabinete trasero. Ajuste por firmemente todos los tornillos (3) del bloque terminal.
7. Ajuste bien el cable de energía al alivio de tensión.
8. Vuelva a instalar la tapa.

NUNCA OLVIDE DE VOLVER A COLOCAR LA TAPA DEL BLOQUE TERMINAL.

Instrucciones de instalación

SALIDA AL EXTERIOR DE LA SECADORA

▲ ADVERTENCIA - Riesgo de incendio

Esta secadora DEBE tener una ventilación al exterior.

Utilice sólo un conducto de metal rígido de 4" (10,2 cm) para la ventilación de salida doméstico.

Use sólo un conducto de transición de la secadora de metal rígido de 4" (10,2 cm), de metal flexible de la lista de UL, o de papel de aluminio de la lista de UL para conectar la secadora a la salida del hogar.

NO use ningún plástico para ventilar la secadora; esto incluye el conducto de salida del hogar, el conducto de transición de la secadora, o dentro de la secadora.

NO use un conducto de metal flexible o de papel de aluminio para un conducto de salida del hogar o dentro de la secadora.

NO use la salida de una chimenea, la salida de la cocina, ventilación de gas, pared, cielo raso, ático, espacio de rastreo, o espacio escondido de una edificación.

NO instale una pantalla en o sobre el conducto de salida.

NO instale un ventilador de refuerzo en el ducto de ventilación.

NO use un conducto más largo que aquél especificado en la tabla de longitud de salida.

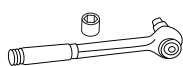
Si no se siguen estas instrucciones se podrá producir la muerte o un incendio.

HERRAMIENTAS Y MATERIALES NECESARIOS PARA INSTALAR UN CONDUCTO DE SALIDA

6,4 mm (1/4") Toma y Llave de Tuercas



6,4 mm (1/4") Toma y Llave Inglesa



Cinta de papel aluminio aislante o abrazaderas de tubería



Campana de ventilación



PARTES DISPONIBLES DESDE GEAPPLIANCEPARTS.COM U ORGANIZACIONES DE SERVICIO LOCALES

GFA28DSVN (WE16X29317)	Secadora - Kit de ventilación
PM8X85	Campana de escape exterior
WX08X10130	Abrazadera para escape de 4" (10,2 cm) para secadoras

CONEXIÓN DE LA SECADORA A LA VENTILACIÓN DE LA CASA CONDUCTO DE TRANSICIÓN DE METAL RÍGIDO

- Para un mejor funcionamiento del secado, se recomienda el uso de un conducto de transición de metal rígido.
- Los conductos de transición de metal rígido reducen el riesgo de que se puedan aplastar o doblar.

CONDUCTO DE TRANSICIÓN DE METAL FLEXIBLE SECADORA DE ROPA DE LA LISTA DE UL

- Si un conducto de metal rígido no puede ser utilizado, entonces un conducto de metal flexible aprobado por UL puede ser utilizado. (GE Appliances parte – PM08X10085.)
- Nunca instale un conducto de transición en paredes, cielos rasos, pisos u otros espacios adjuntos.
- La longitud total del conducto de transición no deberá superar los 8' (2.4 m).
- Para muchas aplicaciones, se recomienda enfáticamente la instalación de codos tanto en la secadora como en la pared. Los codos permiten que la secadora pueda estar junto a la pared sin que se aplaste ni se doble el conducto de transición, maximizando el rendimiento del secado.
- Evite que la tubería se apoye sobre objetos cortantes.

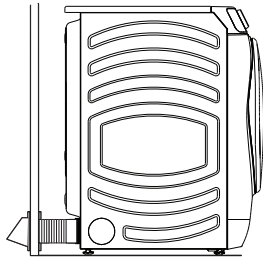
CONDUCTO DE TRANSICIÓN DE METAL FLEXIBLE (TIPO HOJA DE ALUMINIO) DE LA LISTA DE UL

- En instalaciones especiales, puede ser necesario conectar la secadora a la ventilación domestica usando un conducto de metal flexible (tipo papel de aluminio). Un conducto universal flexible aprobado por UL (GE Appliances partes - PM8X73 o WX8X73) puede ser utilizado UNICAMENTE en instalaciones donde un conductor de metal rígido o flexible no puede ser utilizado y donde un diámetro de 4" (10,2 cm) puede mantenerse a lo largo del conducto.
- En Canadá y en Estados Unidos, sólo se podrán usar los conductos de transición que cumplan con "UL 2158A STANDARD FOR CLOTHES DRYER TRANSITION DUCT" (UL 2158A - Norma de conductos para secadoras de ropa).
- Evite que la tubería se apoye sobre objetos cortantes.
- Para un mejor funcionamiento:

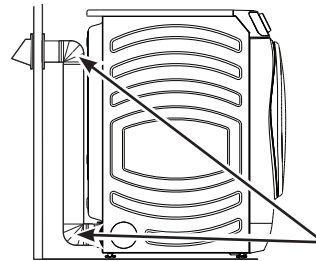
1. Deslice un extremo del conducto sobre la tubería de salida de la secadora de ropa.
2. Asegure el conducto con una abrazadera.
3. Con la secadora en su posición permanente, extienda el conducto hasta su máxima extensión. Permita que 2" (5,08 cm) del conducto se superpongan con la tubería de escape. Corte y retire el sobrante del conducto. Mantenga el conducto lo más recto posible para lograr el flujo de aire máximo.
4. Asegure el conducto a la tubería de escape con la otra abrazadera.

Instrucciones de instalación

SALIDA AL EXTERIOR DE LA SECADORA (cont.)

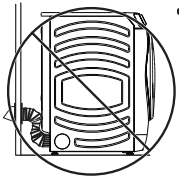


• **CORTE** el conducto lo más corto posible e instálelo derecho en la pared.

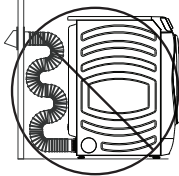


• **UTILICE** codos cuando hagan falta curvas.

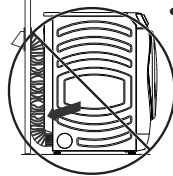
Coudes



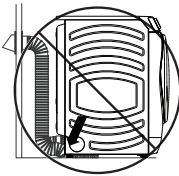
• **NO** doble o pliegue los conductos. Utilice codos si algunos codos resultan necesarios.



• **NO** utilice una longitud de salida excesiva. Corte los conductos con la longitud más corta posible.



• **NO** aplaste el conducto contra la pared.



• **NO** coloque la secadora en el conducto.

LONGITUD DE SALIDA

Al utilizar una salida de mayor longitud a la especificada se:

- Incrementarán los tiempos de secado y el costo de energía.
- Reducirá la vida útil de la secadora.
- Acumulará pelusa, lo que podría generar un riesgo potencial de incendio.

La correcta instalación de salida es SU RESPONSABILIDAD.

Los problemas generados por una instalación incorrecta no se encuentran cubiertos por la garantía.

La longitud MÁXIMA PERMITIDA del sistema de salida depende del tipo de conducto, la cantidad de curvas, la clase de campana de salida (cubierta de pared) y todas las condiciones indicadas en el gráfico.

- Codos internos agregados para conversiones de ventilación lateral o inferior se deberán incluir en la cuenta total de los codos.
- Cualquier codo superior a 45° debería ser considerado como un codo de 90°; un codo de 45° o menos puede ser ignorado.
- Dos codos de 45° deberán ser considerados como un codo de 90°.
- Para el escape lateral, agregue un codo de 90° a la tabla.
- Para cada codo adicional de 90°, reduzca en 10 pies (3 m) la longitud permisible del sistema de escape.
- En el cálculo de la longitud total del sistema de ventilación, debe agregar todas las partes rectas y codos del sistema (incluyendo el conducto de transición).

LONGITUD DE ESCAPE PARA MODELOS DE VENTILACIÓN NORMAL	LONGITUD MÁXIMA RECOMENDADA	
	Tipos de campanas de escape	
	Recomendado	Use sólo para instalaciones de cortas
Cantidad de codos de 90°	Metal Rígido	Metal Rígido
0	90 Pies (27,4 m)	60 Pies (18,3 m)
1	60 Pies (18,3 m)	45 Pies (13,7 m)
2	45 Pies (13,7 m)	35 Pies (10,7 m)
3	35 Pies (10,7 m)	25 Pies (7,6 m)
4	25 Pies (7,6 m)	15 Pies (4,6 m)

LONGITUD DE ESCAPE PARA MODELOS DE VENTILACIÓN LARGA	LONGITUD MÁXIMA RECOMENDADA	
	Tipos de campanas de escape	
	Recomendado	Use sólo para instalaciones de cortas
Cantidad de codos de 90°	Metal Rígido	Metal Rígido
0	200 Pies (61 m)	175 Pies (53,3 m)
1	185 Pies (56,4 m)	165 Pies (50,3 m)
2	175 Pies (53,3 m)	155 Pies (47,2 m)
3	165 Pies (50,3 m)	145 Pies (44,2 m)
4	155 Pies (47,2 m)	135 Pies (41,1 m)
5	145 Pies (44,2 m)	125 Pies (38,1 m)

Instrucciones de instalación

SALIDA AL EXTERIOR DE LA SECADORA (cont.)

LISTA DE CONTROL DEL SISTEMA DE SALIDA

CAMPANA O CUBIERTA DE PARED

- Instale la salida de modo de evitar contracorrientes o el ingreso de pájaros u otros insectos o animales.
- La boca de salida debe presentar una resistencia mínima al flujo de salida y debe requerir poco mantenimiento para evitar las obstrucciones.
- Las cubiertas de pared deben instalarse por lo menos a 12" (30,5 cm) sobre el nivel del suelo o cualquier otra obstrucción con la abertura apuntando hacia abajo.

SEPARACIÓN DE CURVAS

- Para un mejor desempeño, separe todas las curvas con 4 pies (1,2 m) de conducto recto como mínimo, incluyendo la distancia entre la última curva y la cubierta de pared con regulador de tiro.

SELLADO DE JUNTAS

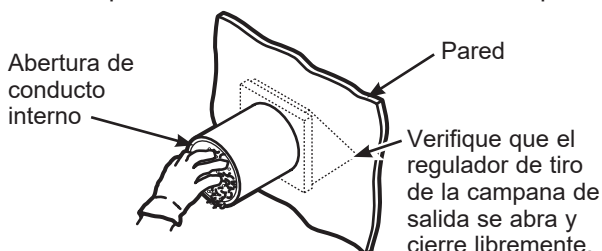
- Todas las juntas deben estar bien selladas para evitar pérdidas. El extremo macho de cada sección de conducto debe apuntar en dirección opuesta de la secadora.
- Las juntas de los conductos deben ser herméticas al aire y a la humedad mediante la superposición de juntas con cinta de papel aluminio.
- No ensamble la tubería con tensores que se extiendan sobre el conducto. Estos tensores acumulan pelusa, creando un posible riesgo de incendio.
- Los tramos horizontales deben tener una inclinación hacia el exterior de 6,4 mm (1/4") por pie.
- Incluya un acceso para inspección y limpieza del sistema de salida, especialmente en las curvas. Inspeccione y limpie el conducto por lo menos una vez al año.

AISLACIÓN

- Los conductos instalados a través de una área sin calefacción o ubicados cerca de un acondicionador de aire deben aislarse para reducir la condensación y la acumulación de pelusas.

ANTES DE COMENZAR

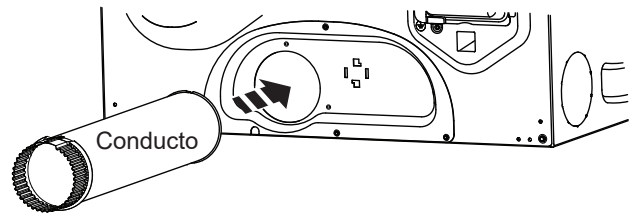
- Retire y elimine plásticos u hojas de aluminio existentes en el conducto de transición y reemplace por el conducto de transición nuevo que figura en la lista de UL.
- Quite las pelusas de la abertura de salida de la pared.



SALIDA TRASERA ESTÁNDAR

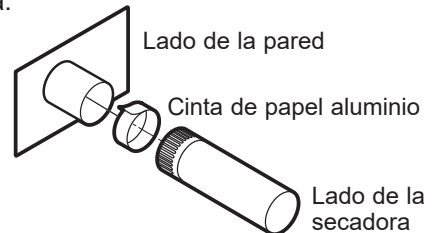
Recomendamos instalar la secadora antes que la lavadora. Esto permitirá un acceso directo para poder efectuar la conexión de salida.

Deslice el extremo del conducto de salida hacia la parte trasera de la secadora y sujete con cinta de papel aluminio o una abrazadera de mangueras.



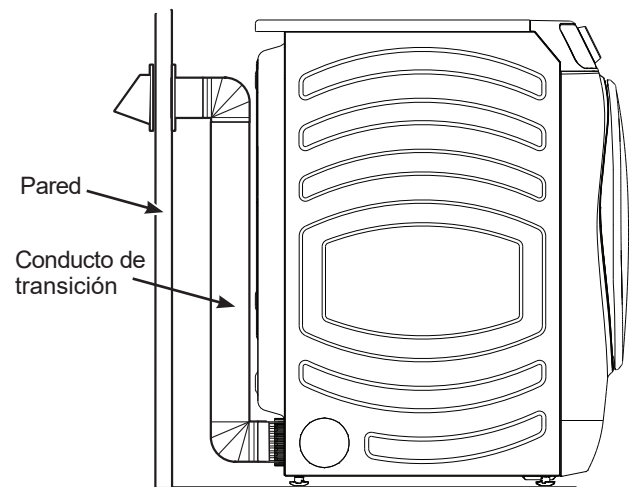
NOTA: Recomendamos el uso de un conducto de salida rígido de metal. Sin embargo, si se usan conductos flexibles éstos deben ser de metal aprobados por UL, no de plástico.

- Para la instalación en línea recta, conecte el escape de la secadora a la campana de escape usando cinta de papel aluminio para conducto o una abrazadera.



CONFIGURACIÓN RECOMENDADA PARA MINIMIZAR LAS OBSTRUCCIONES DE LA SALIDA

El uso de codos evitará que los conductos se tuerzan y caigan.



Instrucciones de instalación

SALIDA AL EXTERIOR DE LA SECADORA (cont.)

VENTILACIÓN LATERAL

⚠ ADVERTENCIA - Riesgo de incendio

Desconecte la secadora del suministro eléctrico.

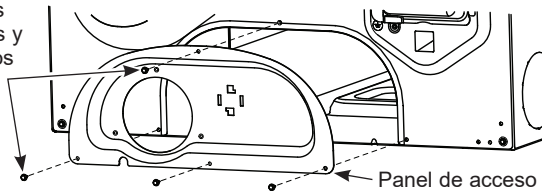
Use guantes y protectores para brazos.

Cierre la abertura trasera con el panel de acceso incluido en kit GFA28DSVN.

Si esto no se cumple, se podrá producir una incendio, descarga eléctrica o laceraciones.

- Retire los 4 tornillos que aseguran el panel de acceso y guarde los mismos. Retire el panel de acceso.

Retire los 4 tornillos y guarde los mismos



Panel de acceso

- Separe y retire la tapa del agujero derecho o izquierdo, según lo desee. Retire el tornillo que asegura el conducto de salida de la secadora y guarde el mismo. Empuje el conducto de salida hacia afuera de la secadora.

Tapa del Agujero Derecho

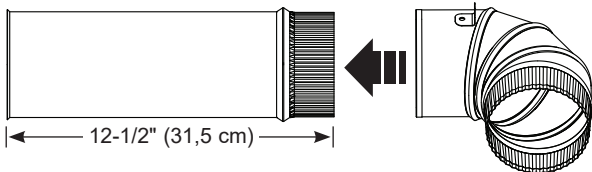


Conducto de Salida

Retire el tornillo y guárdelo

Tapa del Agujero Izquierdo

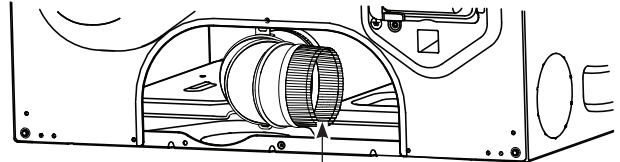
- Ubique el conducto de salida de 12-1/2" (31,5 cm) y el conducto del codo de este kit y ensamble los mismos. Aplique cinta de papel aluminio para conducto alrededor de la junta, a fin de eliminar pérdidas entre los conductos.



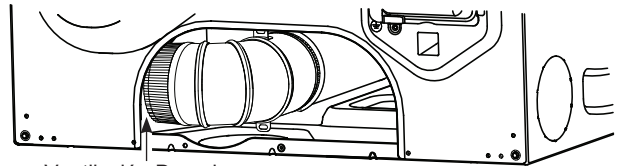
12-1/2" (31,5 cm)

VENTILACIÓN LATERAL (cont.)

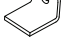
- Inserte y conecte el ensamble del codo/ conducto de salida a la caja del soplador y oriente el codo hacia la ventilación izquierda o derecha.

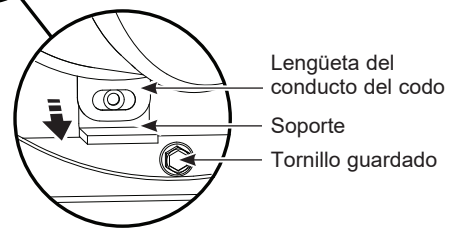
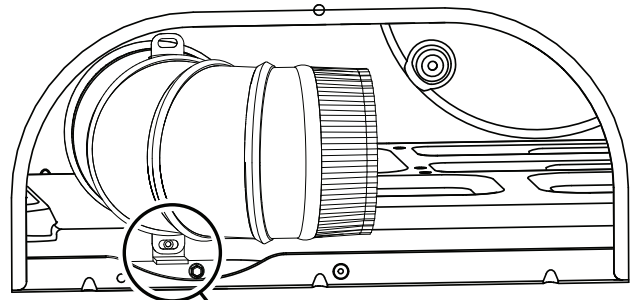


Ventilación Izquierda



Ventilación Derecha

- Ubique el soporte de este kit. 
- Retire la lámina adhesiva de la parte inferior del soporte y posicione la misma detrás de la lengüeta del conducto del codo.
- Presione hacia abajo de manera firme para asegurar el soporte a la parte inferior de la secadora.



Lengüeta del conducto del codo

Soporte

Tornillo guardado

- Utilizando uno de los tornillos anteriores, asegure la lengüeta del conducto del codo al soporte.

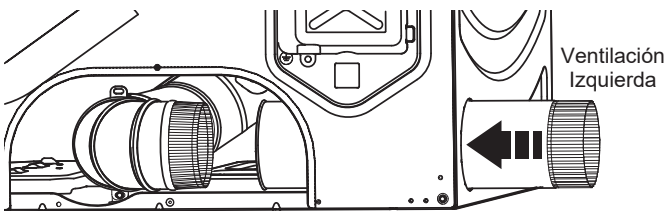
Instrucciones de instalación

SALIDA AL EXTERIOR DE LA SECADORA (cont.)

VENTILACIÓN LATERAL (cont.)

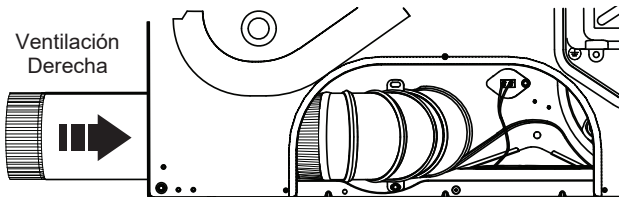
Para la ventilación IZQUIERDA:

- Ubique el conducto de salida de 15-1/2" (39,4 cm) de este kit.
- Inserte el conducto de salida a través de la abertura de la tapa del agujero del lado **IZQUIERDO** de la secadora.
- Ensamble el conducto de salida al conducto del codo.
- Envuelva la junta con cinta de papel aluminio de conducto para evitar pérdidas de aire.

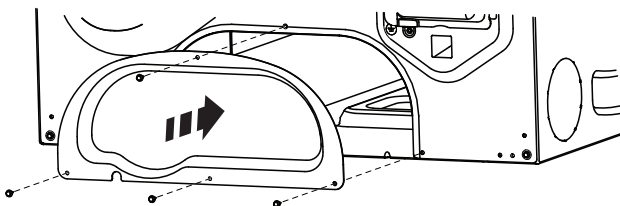


Para la ventilación DERECHA:

- Ubique el conducto de salida de 9-1/2" (24,2 cm) de este kit.
- Inserte el conducto de salida a través de la abertura de la tapa del agujero del lado **DERECHO** de la secadora.
- Ensamble el conducto de salida al conducto del codo.
- Envuelva la junta con cinta de papel aluminio de conducto para evitar pérdidas de aire.



- Instale el nuevo panel de acceso de este kit.
- Asegure el panel de acceso con 4 tornillos guardados anteriormente.



VENTILACIÓN LATERAL O POR LA PARTE INFERIOR.

VENTILACIÓN POR LA PARTE INFERIOR

Salida de la secadora a la parte inferior del gabinete para modelos a Gas y Eléctricos SIN Built-In Pedestal™ (Pedestal Incorporado).

⚠ ADVERTENCIA - Riesgo de incendio

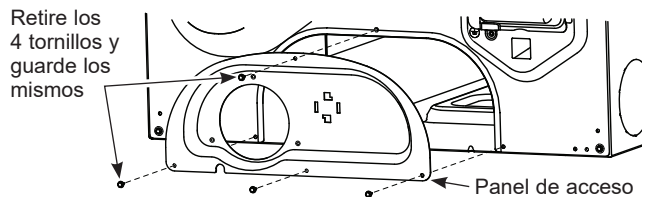
Desconecte la secadora del suministro eléctrico.

Use guantes y protectores para brazos.

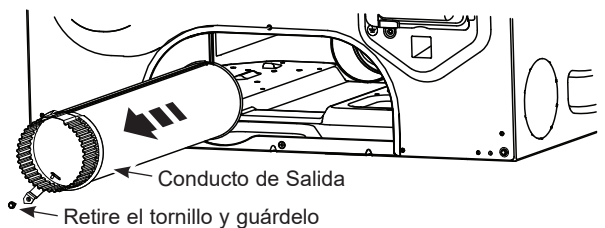
Cierre la abertura trasera con el panel de acceso incluido en kit GFA28DSVN.

Si esto no se cumple, se podrá producir una incendio, descarga eléctrica o laceraciones.

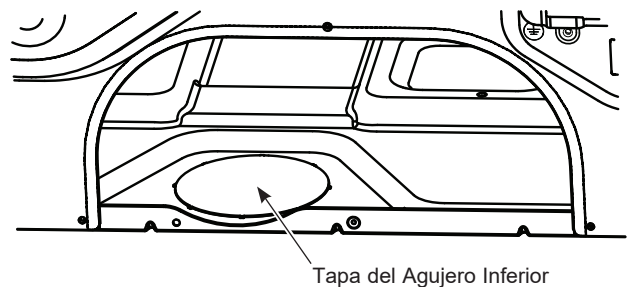
- Retire los 4 tornillos que aseguran el panel de acceso y guarde los mismos. Retire el panel de acceso.



- Retire el tornillo que asegura el conducto de salida de la secadora y guarde el mismo. Empuje el conducto de salida hacia afuera de la secadora.



- Separe y retire la tapa del agujero inferior.

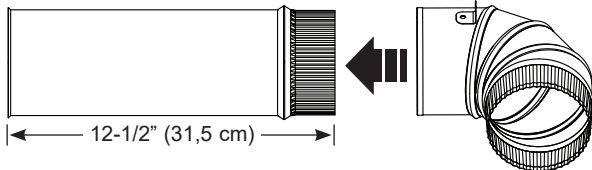


Instrucciones de instalación

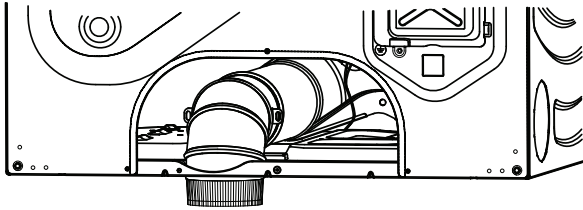
SALIDA AL EXTERIOR DE LA SECADORA (cont.)

VENTILACIÓN POR LA PARTE INFERIOR (cont.)

- Ubique el conducto de salida de 12-1/2" (31,5 cm) y el conducto del codo de este kit y ensamble los mismos. Aplique cinta de papel aluminio para conducto alrededor de la junta, a fin de eliminar pérdidas entre los conductos.

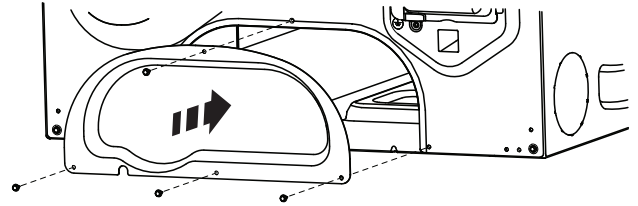


- Inserte y conecte el ensamble del conducto del codo/salida a la caja del soplador e inserte el codo a través del agujero inferior.



VENTILACIÓN POR LA PARTE INFERIOR (cont.)

- Instale el nuevo panel de acceso de este kit.
- Asegure el panel de acceso con 4 tornillos guardados anteriormente.



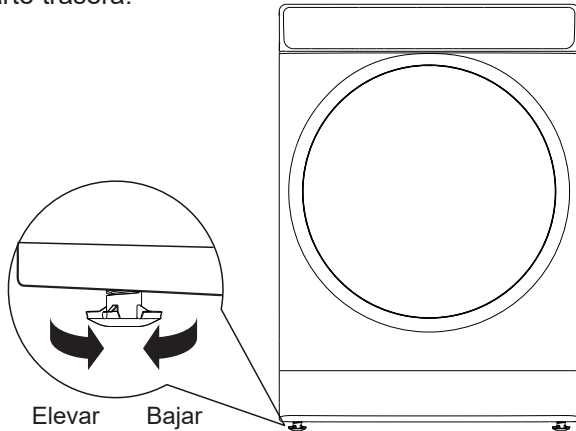
VENTILACIÓN LATERAL O POR LA PARTE INFERIOR.

Instrucciones de instalación

CONFIGURACIÓN FINAL

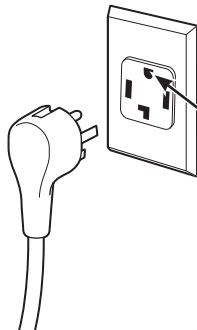
1 NIVELE LA SECADORA

Coloque la secadora en posición vertical cerca de la ubicación definitiva y ajuste las cuatro patas niveladoras para garantizar que la secadora se encuentre nivelada de lado a lado y del frente a la parte trasera.



2 ENCHUFE LA SECADORA

NOTA: Las instalaciones apiladas podrán requerir un cable de corriente de hasta 6 pies (1,8 m) de longitud.



Verifique que haya una conexión a tierra adecuada antes del uso.

3 INICIO DE LA SECADORA

Presione el botón **Power (Encendido)**.



NOTA: Si la secadora ha sido expuesta a temperaturas bajo cero por un período prolongado, deje que suba la temperatura antes de presionar **Power**. De otra manera, la pantalla no se encenderá. Su secadora ya está lista para usar.

⚠ ADVERTENCIA - Riesgo de Descarga Eléctrica

Desconecte el suministro de corriente antes de realizar el servicio técnico.

Reemplace todas las piezas y paneles antes de utilizar.

Si no cumple con esto, se podrá producir la muerte o descarga eléctrica.

⚠ ADVERTENCIA - Riesgo de Descarga Eléctrica

Ciertas piezas internas no tienen conexión a tierra en forma intencional y pueden presentar un riesgo de descarga eléctrica sólo durante la reparación.

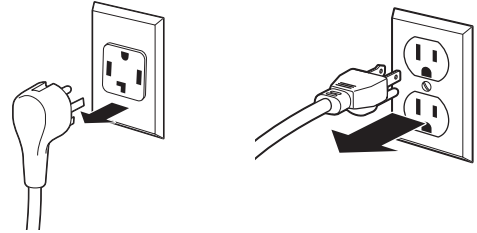
Personal de reparación – NO toque las siguientes piezas cuando el aparato esté recibiendo energía: válvula de agua, interruptor de la puerta, tarjeta electrónica, encendedor, termostatos, detector de flama.

Instrucciones de instalación

CÓMO INVERTIR LA APERTURA DE LA PUERTA (Opcional)

ANTES DE COMENZAR

Desenchufe la secadora del tomacorriente.



NOTAS IMPORTANTES

- Manipule las piezas con cuidado para no rayar la pintura.
- Coloque las puertas sobre una superficie de trabajo que no raye.
- Separe los tornillos por sus piezas relacionadas para evitar usarlos en lugares equivocados.
- Una vez que haya comenzado, no mueva el gabinete hasta haber finalizado la inversión de la apertura de la puerta.
- Estas instrucciones son para cambiar las bisagras del lado derecho al lado izquierdo; si alguna vez desea cambiarlas de nuevo al lado derecho, siga las mismas instrucciones e invierta todas las referencias de izquierda a derecha.

HERRAMIENTAS NECESARIAS

Destornillador Phillips

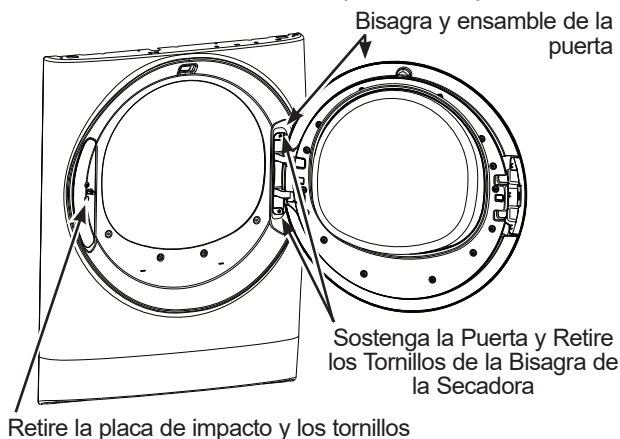
Destornillador Buscapolos T-25

Llave de tuercas de 1/4" (6,4 mm)



1 RETIRE LA PLACA DE IMPACTO Y EL ENSAMBLE DE LA PUERTA

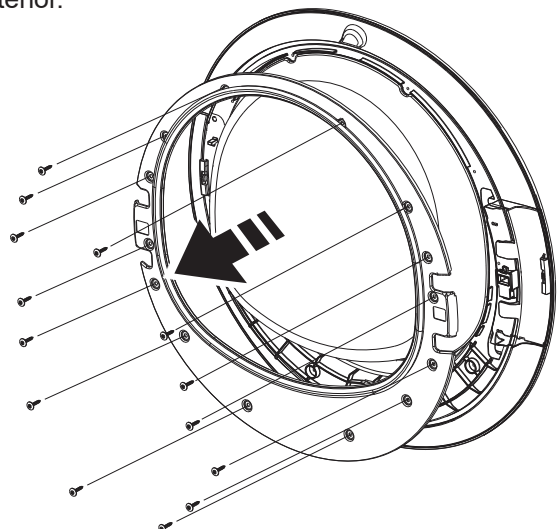
- Abra la puerta de la secadora.
- Retire los dos tornillos de la placa de impacto utilizando un destornillador buscapolos T-25.
- Retire la placa de impacto y deje la misma a un costado.
- Mientras sostiene la puerta, retire los dos tornillos de la bisagra de la cara de la secadora, usando una llave de tuercas de 1/4" (6,4 mm).
- Levante el ensamble de la puerta para retirar la misma de la cara de la secadora y deje el ensamble a un costado sobre una superficie de protección.



2 RETIRE LA PUERTA INTERIOR

- Retire los 14 tornillos del marco de la puerta interior usando un destornillador Phillips y deje los mismos a un costado.
- Retire el marco de la puerta interior de la puerta exterior.

NOTA: No retire la junta del marco de la puerta interior.

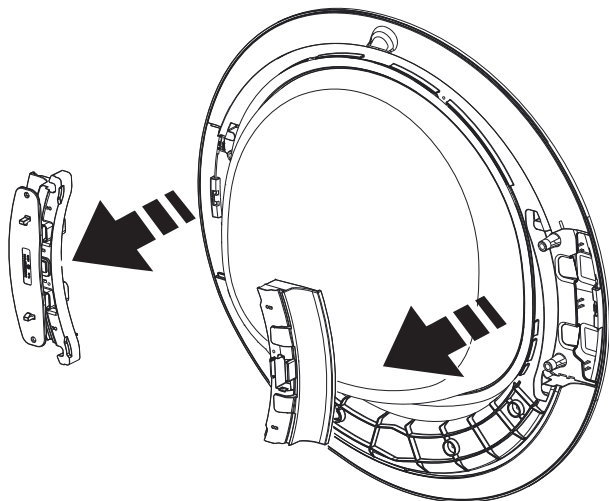


Instrucciones de instalación

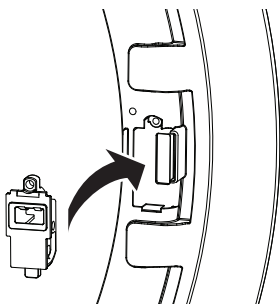
CÓMO INVERTIR LA APERTURA DE LA PUERTA (Opcional)

3 RETIRE, GIRE Y REEMPLACE LA MANIJA Y LA BISAGRA EN LOS LADOS OPUESTOS

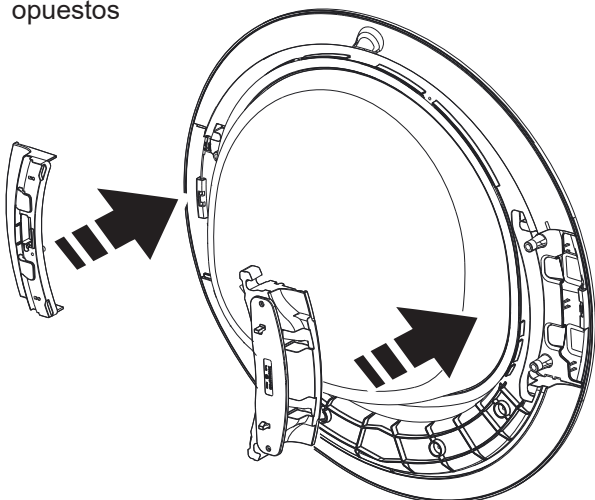
- Levante y retire la manija y la bisagra de los compartimientos de la puerta



NOTA: Asegúrese de que el cierre permanezca posicionado dentro de la manija. Si se mueve o cae, vuelva a colocarlo en su posición.



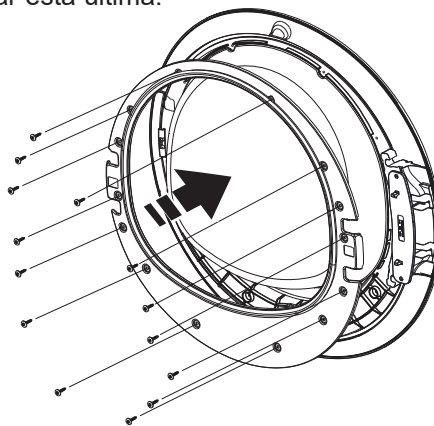
- Gire la manija y la bisagra, y vuelva a posicionar las mismas en los compartimientos en ambos lados opuestos



4 VUELVA A COLOCAR LA PUERTA INTERIOR

- Vuelva a colocar el marco de la puerta interior en la puerta exterior.
- Vuelva a colocar los 14 tornillos en la puerta interior, usando un destornillador Phillips, y asegurando la misma a la puerta exterior.

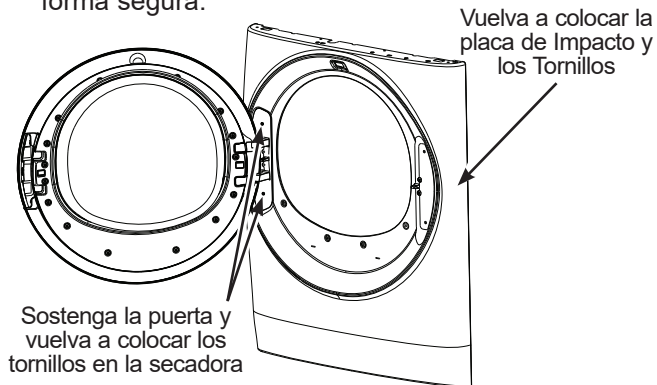
NOTA: Asegúrese de que la junta esté correctamente posicionada en el marco de la puerta interior al volver a colocar esta última.



5 VUELVA A COLOCAR LA PLACA DE IMPACTO Y EL ENSAMBLE DE LA PUERTA

- Del lado opuesto de donde se realizó el retiro, vuelva a colocar la placa de impacto con sus dos tornillos, utilizando un destornillador buscapolos T-25.
- Levante el ensamble de la puerta hasta su posición y asegure la misma sobre la cara de la secadora con sus dos tornillos utilizando una llave de tuercas de 1/4" (6,4 mm).
- Cierre la puerta de la secadora.

NOTA: Asegúrese de que la puerta se abra y se cierre de forma correcta. De no ser así, repita todos los pasos y asegúrese de que la junta, todas las piezas, y los tornillos queden posicionados de forma segura.



Instrucciones de instalación

CÓMO APILAR LA LAVADORA Y LA SECADORA (si así lo desea)

Si planea apilar la lavadora y secadora, solicite el kit de apilado número GFA28KITN para usar con esta secadora. El kit se vende por separado.

ANTES DE COMENZAR

Lea estas instrucciones por completo y con detenimiento.

- **IMPORTANTE** – Guarde estas instrucciones para el uso de inspectores eléctricos locales.
- **IMPORTANTE** – Cumpla con todos los códigos y ordenanzas vigentes.
- **Nota al instalador** – Asegúrese de dejar estas instrucciones con el consumidor.
- **Nota al usuario** – Conserve estas instrucciones para referencia futura.
- La instalación **debe** efectuarla un instalador calificado.
- El instalador tiene la responsabilidad de efectuar una instalación adecuada.

Apile la secadora sólo sobre la lavadora. No apile la lavadora sobre la secadora, la lavadora sobre la lavadora ni la secadora sobre la secadora.

No modifique este kit de instalación. Cualquier modificación anulará la Garantía del producto.

⚠ ADVERTENCIA Desconecte la energía antes de instalar. No hacerlo puede provocar una lesión grave o la muerte.

⚠ ADVERTENCIA  - Riesgo de peso excesivo

- Se deberá contar con dos o más personas para instalar la secadora.
 - Evite la inclinación y ruptura de los servicios públicos.
 - La secadora debe estar bien sujeta a la lavadora.
 - **NO** coloque la lavadora sobre la secadora.
- Si esto no se cumple, se podrán producir lesiones graves, la muerte o daños a la propiedad.

Instalación en casas rodantes o casas prefabricadas – No se permite apilar una secadora a gas en casas rodantes o casas prefabricadas.

PREPARACIÓN INSTALACIÓN

Quite el envoltorio.

Aplaste el cartón del producto para poder utilizarlo para colocar la secadora sobre su parte posterior o de lado. Siga usando el cartón para proteger el piso frente al lugar de instalación.

*Para mejorar el desempeño, se sugiere un espacio libre de 1/2" (12,7 mm) en cada lado.

REQUERIMIENTOS INSTALACIÓN EN NICHOS O ARMARIOS

⚠ ADVERTENCIA  - Riesgo de explosión

Mantenga cualquier material y vapores inflamables, tales como gasolina, alejados de la secadora.

Coloque la secadora a por lo menos 18" (46 cm.) del piso cuando sea instalada en un garaje.

Si no se cumple con esto, se podrá producir una explosión, incendio o la muerte.

- Esta secadora **DEBE** tener una ventilación al exterior.
- El espacio libre mínimo entre el armario de la secadora y las paredes adyacentes u otras superficies es:
 - 0" (0 cm) sobre ambos lados*
 - 0" (0 cm) sobre el frente
 - 0" (0 cm) la parte trasera
 - 0" (0 cm) superior
- La parte posterior de la secadora debe mirar hacia una pared.
- Se deberá considerar que se debe brindar el despeje adecuado para la instalación y el servicio técnico.
- Las puertas del armario deben contar con rejillas u otro tipo de ventilación y tener por lo menos 60 pulgadas (387 cm²) cuadradas de espacio abierto. Si el armario incluye una lavadora y una secadora, las puertas deben contener un mínimo de 120 pulgadas (774 cm²) cuadradas de espacio abierto.

NOTA: CUANDO EL CONDUCTO DE SALIDA ESTÁ UBICADO EN LA PARTE TRASERA DE LA SECADORA, LA CONFIGURACIÓN DEL DUCTO PODRÍA REQUERIR DETRÁS UN CLARO MAYOR.

Secadoras a Gas Únicamente:

- No se deberá instalar ningún otro electrodoméstico que consuma combustible en el mismo armario donde haya una secadora a gas.
- La secadora se deberá desconectar de la tubería de suministro de gas durante la prueba de presión en presiones superiores a 1/2 psi (3.5 kPa).
- Una rosca cubierta NPT de 1/8" (3,2 mm), accesible para la conexión de un dispositivo de calibración, deberá ser instalada inmediatamente arriba de la conexión del suministro de gas a la secadora.

ESPACIO LIBRE MÍNIMO EN OTROS ESPACIOS QUE NO SEAN INSTALACIONES EN NICHOS O ARMARIOS

Los espacios libres mínimos respecto de superficies combustibles y de aberturas de aire son: 0" (0 cm) a ambos lados*, 0" (0 cm) en la parte trasera y 0" (0 cm) superior.

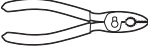




La parte posterior de la secadora debe mirar hacia una pared. Debe tenerse en cuenta un espacio libre adecuado para un funcionamiento y reparación correctos.

Instrucciones de instalación

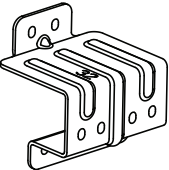
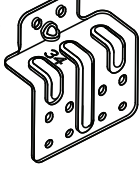


CÓMO APILAR LA LAVADORA Y LA SECADORA

(kit opcional GFA28KITN)

HERRAMIENTAS NECESARIOS

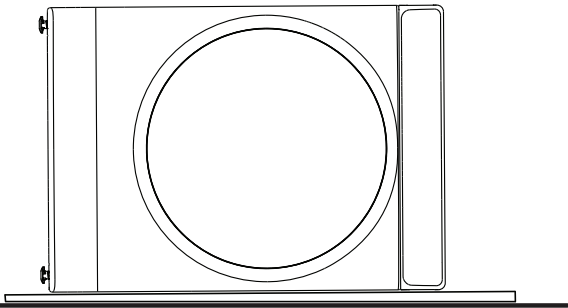
- Destornillador Phillips Pinzas 
- 
- Llave de extremo abierto 
- Guantes 
- Nivel 

CONTENIDOS

- Soporte 32 (2) 
- Soporte 34 (2) 
- Espaciador (2) 
- #8 1/2" (12,7 mm) Tornillos (16) 

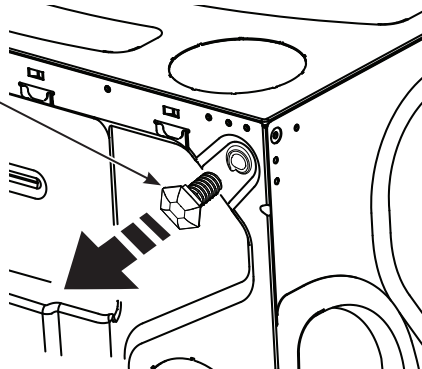
1 CÓMO QUITAR LAS PATAS NIVELADORAS DE LA SECADORA

A. Con cuidado coloque la secadora sobre su parte posterior o lado. Utilice el material de empaque para no rayar.



B. Utilice una llave de extremo abierto o pinzas para quitar las patas niveladoras de la secadora. **NOTA:** Conserve las patas niveladoras para uso futuro.

Quite las 4 patas niveladoras



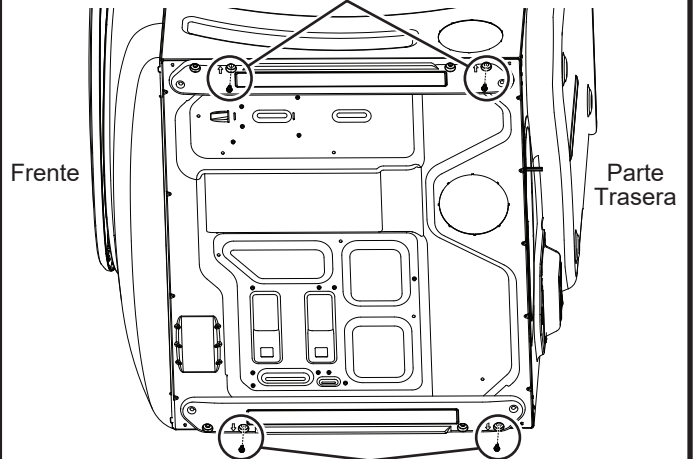
2 INSTALE LOS ESPACIADORES EN LA PARTE INFERIOR DE LA SECADORA

Ubique un espaciador del lado inferior con sus agujeros sobre los agujeros de las patas niveladoras. Adhiera el espaciador usando 2 tornillos. Adhiera el segundo espaciador del otro lado inferior usando 2 tornillos. **NOTA:** Las flechas de los espaciadores deben apuntar hacia la parte exterior.



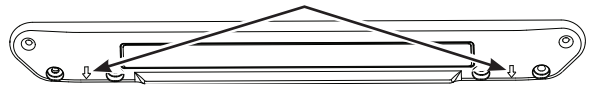
Asegúrese de que las flechas del espaciador apunten hacia la parte exterior.

Adhiera el espaciador usando 2 tornillos



Adhiera el espaciador usando 2 tornillos

Asegúrese de que las flechas del espaciador apunten hacia la parte exterior.



Instrucciones de instalación

CÓMO APILAR LA LAVADORA Y LA SECADORA

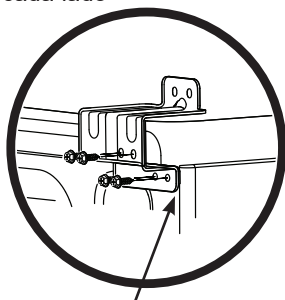
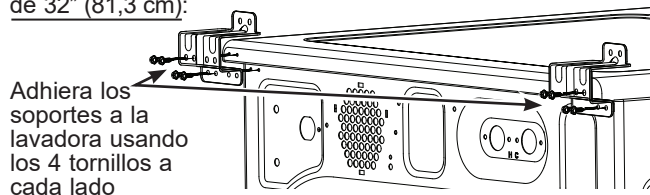
(kit opcional GFA28KITN)

3 INSTALE LOS SOPORTES APROPIADOS PARA LA LAVADORA

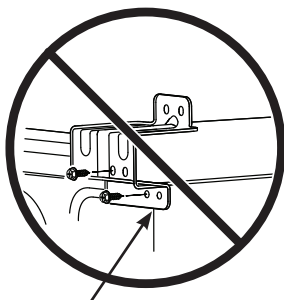
Profundidad de la Lavadora	Profundidad de la Secadora	Número de Soporte
32" (81,3 cm)	32" (81,3 cm)	32
34" (86,4 cm)	32" (81,3 cm)	34

Seleccione los soportes adecuados para sus tamaños de modelos. Usando los agujeros exteriores del soporte, realice la adherencia a la esquina superior izquierda de la parte trasera de la lavadora usando 4 tornillos. Repita esto en la esquina superior derecha de la parte trasera de la lavadora.

32 soportes para combinaciones de lavadoras y secadoras de 32" (81,3 cm):



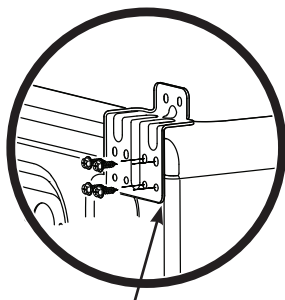
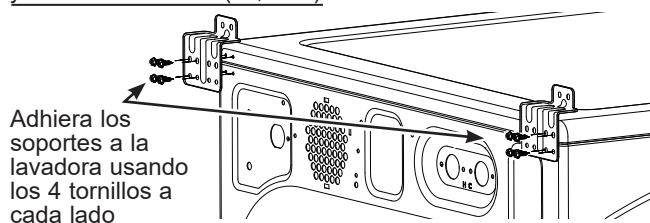
Instale el nivelador de los soportes en los extremos de las lavadoras



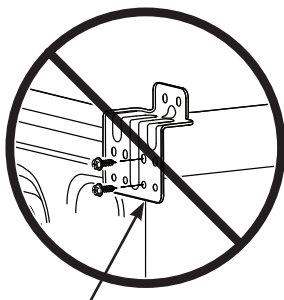
No instale los soportes de modo que sobresalgan de los extremos de las lavadoras



34 soportes para combinaciones de lavadoras de 34" (86,4 cm) y secadoras de 32" (81,3 cm):



Instale el nivelador de los soportes en los extremos de las lavadoras



No instale los soportes de modo que sobresalgan de los extremos de las lavadoras

4 PREPARAR LA LAVADORA Y LA SECADORA

- Coloque la lavadora en la ubicación final aproximada de la instalación.
- Asegúrese de que la lavadora esté nivelada. Para más detalles, consulte las Instrucciones de Instalación.
- Coloque la secadora en posición erguida.
- Invierta los giros de puerta de la lavadora y la secadora, si lo desea, antes de apilar la secadora en la lavadora. Para más detalles, consulte las Instrucciones de Instalación de la lavadora y la secadora.

Instrucciones de instalación

CÓMO APILAR LA LAVADORA Y LA SECADORA

(kit opcional GFA28KITN)

5 INSTALE LA SECADORA Y EL SOPORTE EN LA LAVADORA

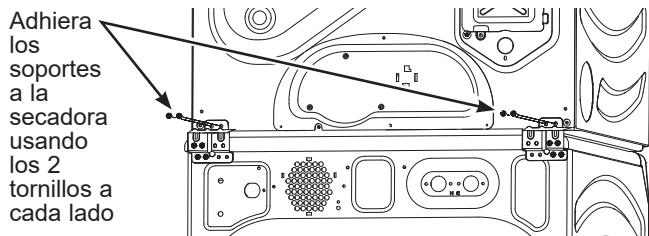
⚠ ADVERTENCIA - Riesgo de peso excesivo

- Se deberá contar con dos o más personas para instalar la secadora.
- Evite la inclinación y ruptura de los servicios públicos.
- La secadora debe estar bien sujeta a la lavadora.
- **NO** coloque la lavadora sobre la secadora.

Si esto no se cumple, se podrán producir lesiones graves, la muerte o daños a la propiedad.

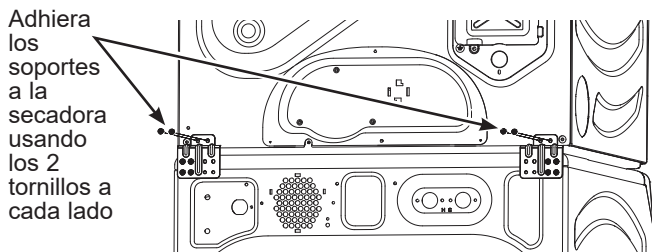
- A.** Eleve la secadora sobre la parte superior de la lavadora.
Asegúrese de elevar la secadora lo suficiente de modo que el panel de control de la lavadora quede despejado.
Tenga cuidado de no rayar la parte superior de la lavadora con los espaciadores. Proteja el panel de control de la lavadora con cartón u otra protección.
- B.** Alinee todos los agujeros de la parte trasera de la secadora con los agujeros del soporte que sobresale de la lavadora. Adhiera ambos soportes a la secadora con 2 tornillos a cada lado.

32 soportes para combinaciones de lavadoras y secadoras de 32" (81,3 cm):



0

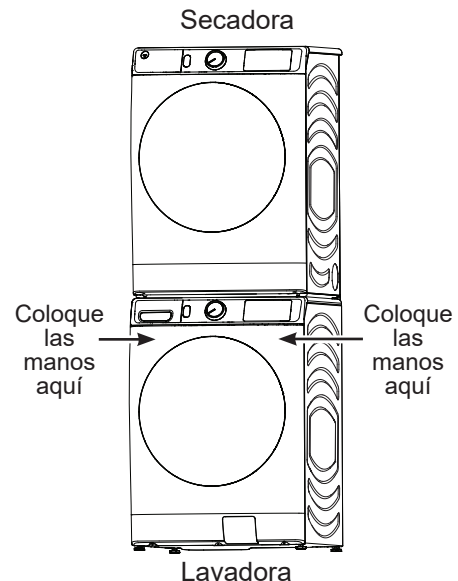
34 soportes para combinaciones de lavadoras de 34" (86,4 cm) y secadoras de 32" (81,3 cm):



6 FINALICE LA INSTALACIÓN

⚠ PRECAUCIÓN No empuje la secadora una vez que se haya instalado sobre la lavadora. Si empuja la secadora puede pellizcarse los dedos.

- A.** Consulte las Instrucciones de instalación de la lavadora para completar la instalación de la lavadora.
- B.** Consulte las Instrucciones de instalación de la secadora para completar la instalación de la secadora.
- C.** Con cuidado deslice o desplace la lavadora y secadora apiladas a su lugar. Utilice almohadillas u otro dispositivo para ayudar a deslizar los artefactos y para proteger el piso.
- D.** Verifique que las unidades estén niveladas.
En caso de ser necesaria una nivelación, haga ajustes sobre los pies de la lavadora. Siempre es mejor ajustar los pies de la lavadora hasta la altura mínima necesaria, a fin de nivelar la lavadora y la secadora de forma correcta.



Consejos para la solución de problemas

Problema	Causas posibles	Solución
La secadora se mueve o hace ruido	El movimiento/ruido es normal. La secadora puede estar colocada en un lugar desnivelado	Desplace la secadora a un lugar nivelado, o ajuste las patas niveladoras según sea necesario.
Las prendas tardan mucho en secarse	Conducto inadecuado u obstruido	Revise las Instrucciones de instalación para verificar que la ventilación de la secadora sea la correcta. Verifique que el conducto se encuentre limpio, libre de abolladuras y sin obstrucciones. Controle que el regulador de tiro externo de pared funcione bien.
	Clasificación inadecuada	Separe prendas pesadas de livianas (generalmente, una carga bien clasificada para la lavadora es una carga bien clasificada para la secadora).
	Cargas grandes de telas pesadas (como toallas de playa)	Las telas grandes y pesadas contienen más humedad (como toallas de playa) y toman más tiempo para secar. Separe las telas grandes y pesadas en cargas de menor tamaño para agilizar el plazo de secado.
	Los controles están mal configurados	Ajuste las configuraciones de control a la carga que esté secando.
	El filtro de pelusas está lleno	Limpie el filtro de pelusas antes de cada carga.
	Fusibles quemados/disyuntor desconectado	Reemplace los fusibles o reconecte los disyuntores. NOTA: Ya que algunos modelos de secadoras eléctricas utilizan 2 fusibles/disyuntores, asegúrese de que ambos funcionen.
	Carga excesiva/cargas combinadas	No coloque más de una carga en la secadora por vez.
	Poca carga	Si va secar sólo una o dos prendas, agregue algunas más para asegurar un secado correcto.
	ecoDry está activado	La característica ecoDry está diseñada para operar su secadora en el modo lo más eficiente en energía, que no es siempre el modo lo más rápido. En algunos casos, los tiempos de secado pueden ser extendidos para reducir el consumo total de energía del ciclo.
Se ha seleccionado el nivel de secado Dry (Seco) pero la carga aún se encuentra húmeda	La carga consiste de una combinación de telas pesadas y livianas	Cuando combine telas pesadas con livianas en una carga, escoja More Dry (Más seco).
	El sistema de escape está tapado	Inspeccione y limpie el sistema de escape.
La secadora no se enciende	El panel de control está "dormido"	Esto es normal. Presione Power (encendido) para activar el panel de control.
	La secadora está desenchufada	Verifique que el enchufe de la secadora esté bien colocado en el tomacorriente.
	Fusible quemado/disyuntor desconectado	Verifique la caja de fusibles/disyuntor del edificio y cambie el fusible o reconfigure el disyuntor. NOTA: Ya que algunos modelos de secadoras eléctricas utilizan 2 fusibles/disyuntores, asegúrese de que ambos funcionen.
No aparecen números en la pantalla durante el ciclo, sólo luces	La secadora se puso en pausa accidentalmente cuando se iniciaba Delay Dry (Secado retardado)	Si la luz del botón Start/Pause (Inicio/Pausa) destella, la secadora se encuentra en pausa. Presione Start/Pause (Inicio/Pausa) para volver a iniciar la cuenta regresiva.
	La secadora monitorea constantemente la cantidad de humedad en la ropa	Esto es normal. Cuando la secadora detecta un nivel bajo de humedad en la carga, la secadora mostrará el tiempo restante de secado.
El tiempo restante ha saltado a un número inferior	El tiempo estimado podría cambiar si seca una carga menor a la normal	Esto es normal.
No puede realizar una selección y la secadora activa la alarma sonora dos veces	El Level (nivel de secado), Temp (temperatura) o la opción que intenta seleccionar es incompatible con el ciclo de secado que ha escogido.	Esto es normal.
La secadora se encuentra funcionando, pero el tiempo restante muestra 00	Se ha escogido la opción Wrinkle Care (Prevención de arrugas)	Esto es normal. Durante el secado prolongado, no se muestra el tiempo restante. La opción de secado prolongado tarda 60 minutos aproximadamente.
La luz "Check Vent" está encendida	El filtro de pelusas está lleno	Limpie el filtro de pelusas, Seque una carga en un ciclo automático y verifique que la luz se apague.
	Conducto inadecuado u obstruido	Lea las Instrucciones de instalación para verificar que la ventilación de la secadora sea la correcta. Verifique que el conducto se encuentre limpio, libre de abolladuras y sin obstrucciones. Controle que el regulador de tiro externo de pared funcione bien. Seque una carga en un ciclo automático y verifique que la luz se apague.
	El sistema de escape está tapado	Inspeccione y limpie el sistema de escape. Seque una carga en un ciclo automático y verifique que la luz se apague.

Consejos para la solución de problemas

Problema	Causas posibles	Solución
La secadora no calienta	Fusible quemado/disyuntor desconectado; es posible que la secadora gire sin calentar	Revise la caja de fusibles/disyuntores y reemplace ambos fusibles y reconecte ambos disyuntores. Es posible que la secadora gire si únicamente un fusible se ha quemado o un solo disyuntor ha saltado. NOTA: Ya que algunos modelos de secadoras eléctricas utilizan 2 fusibles/disyuntores, asegúrese de que ambos funcionen.
	Se ha cortado el suministro de gas (modelos a gas solamente)	Asegúrese que la válvula de cierre en la secadora y la válvula maestra está completamente abierta.
	El tanque de suministro de gas LP está vacío o se ha producido una interrupción en el servicio de gas natural (en los modelos a gas solamente)	Rellene o reemplace el tanque. La secadora se deberá calentar cuando se reestablezca el servicio de gas.
	No se ha seleccionado la temperatura	Seleccione otro nivel de calor.
Plazos de secado inconsistentes	Tipo de calor	Los plazos de secado automático pueden variar según el tipo de calor utilizado. Se ha cambiado recientemente de una secadora eléctrica a una a base de gas (natural o LP), o viceversa, el tiempo de secado podría ser diferente.
	Tipo de carga y condiciones de secado	El tamaño de la carga, tipos de telas, humedad de la ropa y longitud y condición del sistema de escape afectará los tiempos de secado.
Las prendas aún se encuentran húmedas y la secadora se apaga después de un tiempo corto	Se abrió la puerta a la mitad del ciclo. Luego se procedió a retirar la carga de la secadora y se colocó una carga nueva sin seleccionar un ciclo nuevo	Se debe volver a seleccionar un ciclo de secado cada vez que se coloca una carga nueva.
	Carga pequeña	Cuando seque 3 o menos prendas, escoja QUICK DRY (Secado rápido) o TIMED DRY (Secado cronometrado).
	La carga ya se encontraba seca a excepción de los cuellos y pretinas	Escoja QUICK DRY (Secado rápido) o TIMED DRY (Secado cronometrado) para secar los cuellos y pretinas que estén húmedos. En el futuro, al secar una carga que contenga cuellos y pretinas, escoja More Dry (Más seco).
	La secadora no está nivelada	Mueva la secadora a un área con piso nivelado o ajuste las patas niveladoras como sea necesario hasta que se encuentre nivelada.
Las prendas están arrugadas	Sobresecado	Seleccione un plazo de secado más breve. Retire las prendas mientras están húmedas. Programe el ajuste a Less Dry (Menos seco) o Damp (Secado húmedo).
	Las prendas permanecen en la secadora después que ha terminado el ciclo	Retire las prendas cuando finaliza el ciclo y doble o cuélguelas inmediatamente, o utilice la opción Wrinkle Care (Prevención de arrugas).
	Sobrecarga	Separe las cargas más grandes en más pequeñas.
Las prendas se encogen	Algunas telas se encogen de manera natural cuando se lavan. Otras pueden lavarse sin problemas, pero se encogerán en la secadora	Para evitar encoger las prendas, siga las instrucciones de las etiquetas exactamente. Algunas prendas pueden plancharse nuevamente a su forma original después de secarlas. Si tiene dudas sobre si una prenda en particular encogerá, no la lave a máquina ni la seque con giro.
Manchas de grasa en la ropa	Uso inapropiado de suavizador de telas	Siga las direcciones en el envase del suavizador de telas.
	Secado de artículos sucios con limpios	Utilice su secadora para secar únicamente artículos limpios. Los artículos sucios pueden manchar los artículos limpios y la secadora.
	Las prendas no están completamente limpias	Algunas manchas que no se pueden ver cuando las prendas están mojadas aparecen después del secado. Utilice procedimientos apropiados de lavado antes del secado.
Pelusa en las prendas	El filtro de pelusa está lleno	Limpie el filtro antes de cada carga.
	Clasificación incorrecta	Clasifique las prendas que producen pelusa (como felpilla) de las prendas que juntan pelusa (como la pana).
	La electricidad estática puede atraer pelusa	Consulte las sugerencias en esta sección bajo Ocurre estática
	Sobrecarga	Separe las cargas más grandes en menor tamaño.
	Papel, servilletas, etc., quedan dentro de los bolsillos de la ropa	Vacíe todos los bolsillos antes de lavar la ropa.

Consejos para la solución de problemas

Problema	Causas posibles	Solución
Ocurre estática	No se utilizó ningún tipo de suavizador de telas	Intente utilizar un suavizador de telas. Bounce® Fabric Conditioner Dryer Sheets ha sido aprobado para ser usado con todas las Secadoras GE Appliances y cuando se usen de acuerdo con las instrucciones del fabricante.
	Sobresecado	Intente utilizar un suavizador de telas. Programa el ajuste a Less Dry (Menos seco) o Damp (Secado húmedo).
	Artículos sintéticos, planchado permanente y combinaciones pueden causar estática	Intente utilizar un suavizador de telas.
Los cuellos y pretinas aún se encuentran húmedos al final del ciclo	El monitor de sequedad detecta que el cuerpo de las prendas está seco	Escoja QUICK DRY (Secado rápido) o TIMED DRY (Secado cronometrado) para secar dejando húmedos los cuellos y pretinas. En el futuro, cuando seque una carga con cuellos y pretinas, escoja More Dry (Más seco).
Pequeña variación del color metálico.	Esto es normal.	Debido a las propiedades metálicas de la pintura utilizada con este producto único, pueden ocurrir pequeñas variaciones de color debido a ángulos de visualización y condiciones de iluminación.
La secadora sigue girando después de que la pantalla indica Complete (finalización)	Se seleccionó Wrinkle Care (Prevención de arrugas)	Asegúrese de que Se seleccionó Wrinkle Care (Prevención de arrugas) la opción de secado prolongado no esté seleccionada. Para el ciclo STEAM Refresh (Refrescar con vapor), se accionará automáticamente Se seleccionó Wrinkle Care (Prevención de arrugas) el secado prolongado y no podrá apagarse.
Durante un ciclo de vapor no pueden verse las prendas porque la puerta está muy cubierta por vapor.	El vapor se condensa en la puerta interna.	Esto es normal.
Se ve agua dentro de la puerta y sobre el filtro de pelusa cuando se abre la puerta después del ciclo de vapor de vapor	El vapor se condensa sobre estas superficies.	Esto es normal.
Pequeñas áreas de las prendas se encuentran húmedas después del ciclo	El vapor se condensa en el tambor interno.	Si va a utilizar el ciclo STEAM Dewrinkle (Desarrugar con vapor), reduzca manualmente el tiempo del ciclo. Si va a utilizar el ciclo STEAM Refresh (Refrescar con vapor), agregue más prendas a la carga.
Hay una pequeña cantidad de agua sobre el piso frente a la secadora.	Tamaño de carga inadecuado para el ciclo de vapor seleccionado, el vapor excedente se condensa dentro del gabinete y se escapa.	Si va a utilizar el ciclo STEAM Dewrinkle (Desarrugar con vapor), reduzca manualmente el tiempo del ciclo. Si va a utilizar el ciclo STEAM Refresh (Refrescar con vapor), agregue más prendas a la carga.
Hay agua en el piso en la parte trasera de la secadora	La conexión de manguera de agua a la válvula se encuentra floja.	Ajuste la conexión.
	La manguera no cuenta con la arandela de goma en la conexión con la válvula.	Instale la arandela de goma provista con la manguera.
Cae agua de la puerta cuando se abre después de un ciclo de vapor.	El vapor se condensa en la puerta interna.	Esto es normal.
No puede verse vapor al comienzo del ciclo	El vapor se libera en un momento diferente en el ciclo.	Esto es normal.
No se ve vapor en ningún momento durante el ciclo	La boquilla de vapor puede estar bloqueada con suciedad proveniente del suministro de agua	Llame GE Appliances al 877.959.8688 para solicitar el kit de reemplazo de boquilla WE25M71 o para solicitar un técnico que lo reemplace por usted.
Las prendas siguen arrugadas después de ciclo de Steam (vapor)	Demasiadas prendas.	Cargue menos prendas; incremente el tiempo manualmente.
	Filtro de pelusa no está limpio	Limpiar el filtro de pelusa
	Las prendas de la carga son ropa infantil	Utilizar el ciclo de STEAM Refresh (Refrescar con vapor)

Garantía limitada de la secadora GE Appliances

GARANTÍA LIMITADA

GEAppliances.com

Todo el servicio de garantía es provisto por nuestros Centros de Servicio de Fabricación, o un técnico autorizado de Servicio al Cliente (Customer Care®). Para programar una visita del servicio técnico, visítenos a través de Internet en **GEAppliances.com/service**, o llame GE Appliances al 800.GE.CARES (800.432.2737). Cuando llame para solicitar el servicio, tenga los números de serie y modelo disponibles.

Para realizar el servicio técnico de su electrodoméstico se puede requerir el uso del puerto de datos integrado para el diagnóstico. Esto da al técnico del Servicio de Fábrica de GE Appliances la habilidad de diagnosticar de forma rápida cualquier problema con su electrodoméstico, y de ayudar a GE Appliances a mejorar sus productos al brindarle a GE Appliances la información sobre su electrodoméstico. Si no desea que los datos de su electrodoméstico sean enviados a GE Appliances, solicitamos que le indique a su técnico NO entregar los datos a GE Appliances en el momento del servicio.

Por el Período de:	Se sustituirá:
Un Año Desde la fecha de compra original	Cualquier pieza de la secadora que falle debido a un defecto de los materiales o la mano de obra. Durante esta garantía limitada de un año , también ofrecemos, en forma gratuita , toda la mano de obra y los costos de servicio para reemplazar la pieza defectuosa.

GE Appliances no cubre:

- Viajes del personal de servicio a su casa para enseñarle cómo usar su producto.
- Instalación, entrega o mantenimiento inapropiada.
- Fallas del producto si es maltratado, mal usado, o usado para un propósito diferente del que se creó o si es usado para usos comerciales.
- Cambio de los fusibles de su casa o reajuste del circuito de interruptores.
- Productos que no estén defectuosos ni descompuestos, o que funcionen como se describe en el manual del propietario.
- Daños al producto causados por accidentes, incendios, inundaciones o actos de la naturaleza.
- Daño incidental o consecuente causado por posibles defectos con este electrodoméstico.
- Defectos o daños debido a la puesta en funcionamiento a temperaturas de congelación.
- Daños causados después del envío.
- Producto no accesible para darle el servicio requerido.

EXCLUSIÓN DE GARANTÍAS IMPLÍCITAS

Su único y exclusivo recurso es la reparación del producto según lo dispuesto en esta Garantía Limitada. Cualquier garantía implícita, incluidas las garantías implícitas de comerciabilidad o idoneidad para un propósito particular, se limitan a un año o al período más corto permitido por la ley.

Esta garantía limitada se extiende al comprador original y a cualquier propietario subsecuente para productos comprados para uso doméstico dentro Estados Unidos. Si el producto está situado en un área que no dispone de servicio por parte de un proveedor de servicio autorizado de GE Appliances, usted puede ser responsable de un cargo por viaje o se le puede solicitar que lleve el producto a un centro de servicio autorizado de GE Appliances para realizar la reparación. En Alaska, la garantía limitada excluye el costo de envío o las visitas de servicio a su casa.

Algunos estados no permiten la exclusión o limitación de daños incidentales o consecuentes. Esta garantía limitada le da sus derechos legales específicos, y es posible que usted tenga otros derechos legales que varían de estado a estado. Para informarse de cuáles son sus derechos legales, consulte a su oficina de asuntos del consumidor local o estatal o póngase en contacto con la oficina estatal de la Procuraduría del Consumidor.

Garante: GE Appliances, a Haier Company
Louisville, KY 40225

Garantías Extendidas: Adquiera una garantía extendida de GE Appliances y conozca los descuentos especiales que están disponibles mientras su garantía aún está vigente. Puede acceder a la misma a través de Internet en cualquier momento en

GEAppliances.com/extended-warranty

o llamando al 800.626.2224 durante el horario comercial. El servicio de GE Appliances seguirá estando disponible después de que expire la garantía.

Abroche su recibo aquí. Para acceder al servicio técnico de acuerdo con la garantía deberá contar con la prueba de la fecha original de compra.

Soporte para el Consumidor

Sitio Web de GE Appliances

¿Desea realizar una consulta o necesita ayuda con su electrodoméstico? ¡Intente a través del Sitio Web de GE Appliances las 24 horas del día, cualquier día del año! Usted también puede comprar más electrodomésticos maravillosos de GE Appliances y aprovechar todos nuestros servicios de soporte a través de Internet, diseñados para su conveniencia. **GEAppliances.com**

Registre su Electrodoméstico

¡Registre su electrodoméstico nuevo a través de Internet, según su conveniencia! Un registro puntual de su producto permitirá una mejor comunicación y un servicio más puntual de acuerdo con los términos de su garantía, en caso de surgir la necesidad. También puede enviar una carta en la tarjeta de inscripción preimpresa que se incluye con el material embalado. **GEAppliances.com/register**

Servicio Programado

El servicio de reparación de expertos de GE Appliances está a sólo un paso de su puerta. Conéctese a través de Internet y programe su servicio a su conveniencia cualquier día del año.

GEAppliances.com/service

o comuníquese al 800.432.2737 durante el horario de atención comercial.

Garantías Extendidas

Adquiera una garantía extendida de GE Appliances y conozca los descuentos especiales que están disponibles mientras su garantía aún está vigente. La puede adquirir en cualquier momento a través de Internet. Los servicios de GE Appliances aún estarán allí cuando su garantía caduque.

GEAppliances.com/extended-warranty

o comuníquese al 800.626.2224 durante el horario de atención comercial.

Conectividad Remota

Para solicitar asistencia para la conectividad de red inalámbrica (para modelos con acceso remoto), visite nuestro sitio web en **GEAppliances.com/connect** o comuníquese al 800.220.6899.

Piezas y Accesorios

Aquellos individuos calificados para realizar el servicio técnico de sus propios electrodomésticos podrán solicitar el envío de piezas o accesorios directamente a sus hogares (se aceptan las tarjetas VISA, MasterCard y Discover). Ordene hoy a través de Internet durante las 24 horas, todos los días. **GEApplianceparts.com** o de forma telefónica al 877.959.8688 durante el horario de atención comercial.

Las instrucciones que figuran en este manual cubren los procedimientos que serán realizados por cualquier usuario. Otros servicios técnicos generalmente deben ser derivados a personal calificado del servicio. Se deberá tener cuidado, ya que una reparación indebida podrá hacer que el funcionamiento no sea seguro.

Contáctenos

Si no se encuentra satisfecho con el servicio que recibió de GE Appliances, comuníquese con nosotros a través de nuestro sitio Web con todos los detalles, incluyendo su número telefónico, o escriba a:

General Manager, Customer Relations | GE Appliances, Appliance Park | Louisville, KY 40225

GEAppliances.com/contact o comuníquese al 800.626.2000



WASHERS

SAFETY INFORMATION 3

USING THE WASHER

Getting Started 5

Consumer Help Indicator 14

Appliance Communication 14

Loading 15

CARE AND CLEANING 16

INSTALLATION INSTRUCTIONS 18

Reversing The Door Swing (optional on some models only)..... 23

TROUBLESHOOTING TIPS..... 27

LIMITED WARRANTY 31

CONSUMER SUPPORT 32

OWNER'S MANUAL & INSTALLATION INSTRUCTIONS

- PFW950
- GFW850
- GFW650
- GFW550
- GFW510

ENGLISH/FRANÇAIS/ESPAÑOL

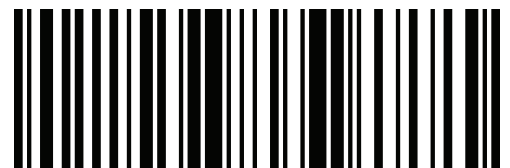
Write the model number, serial number and MAC ID for WiFi enabled models here:

Model # _____

Serial # _____

MAC ID _____

You can find them on a label inside the washer door.



THANK YOU FOR MAKING GE APPLIANCES A PART OF YOUR HOME.

Whether you grew up with GE Appliances, or this is your first, we're happy to have you in the family.

We take pride in the craftsmanship, innovation and design that goes into every GE Appliances product, and we think you will too. Among other things, registration of your appliance ensures that we can deliver important product information and warranty details when you need them.

Register your GE appliance now online. Helpful websites and phone numbers are available in the Consumer Support section of this Owner's Manual. You may also mail in the pre-printed registration card included in the packing material.



IMPORTANT SAFETY INFORMATION

READ ALL INSTRUCTIONS BEFORE USING THE APPLIANCE

▲ WARNING

To reduce the risk of death, fire, explosion, electric shock, or injury to persons when using your appliance, follow basic precautions, including the following:

- Read all instructions before using the appliance.
- Follow all fabric care instructions and warnings to prevent melting of garments or damage to the appliance.
- **DO NOT** wash or dry articles that have been previously cleaned in, washed in, soaked in or spotted with gasoline, dry-cleaning solvents, or other flammable or explosive substances, as they give off vapors that could ignite or explode.
- **DO NOT** add gasoline, dry-cleaning solvents, or other flammable or explosive substances to the wash water. These substances give off vapors that could ignite or explode.
- Under certain conditions, hydrogen gas may be produced in a hot-water system that has not been used for 2 weeks or more. **HYDROGEN GAS IS EXPLOSIVE.** If the hot water system has not been used for such a period, before using a washing machine, turn on all hot-water faucets and let the water flow from each for several minutes. This will release any accumulated hydrogen gas. As the gas is flammable, **DO NOT** smoke or use an open flame during this time.
- **DO NOT** allow children to play on or in this appliance. Close supervision of children is necessary when this appliance is used near children. Before the washer is removed from service or discarded, remove the door or lid. Failure to follow these instructions may result in death or injury to persons.
- **DO NOT** reach into the appliance if the tub or agitator is moving to prevent accidental entanglement.
- **DO NOT** install or store this appliance where it will be exposed to the weather.
- **DO NOT** tamper with controls, repair or replace any part of this appliance or attempt any servicing unless specifically recommended in the user maintenance instructions or in published user repair instructions that you understand and have the skills to carry out.
- **DO NOT** climb or stand on this unit.
- **DO NOT** operate this appliance if it is damaged, malfunctioning, partially disassembled, or has missing or broken parts including a damaged cord or plug.
- Unplug the appliance or turn off the circuit breaker before servicing. Pressing the **Power** pad **DOES NOT** disconnect power.
- See “ELECTRICAL REQUIREMENTS” located in the Installation Instructions for grounding instructions.

Proper Disposal of your Appliance

- Dispose of or recycle your appliance in accordance with Federal and Local Regulations. Contact your local authorities for the environmentally safe disposal or recycling of your appliance.

READ AND SAVE THESE INSTRUCTIONS

IMPORTANT SAFETY INFORMATION

READ ALL INSTRUCTIONS BEFORE USING THE APPLIANCE

PROPER INSTALLATION

This washer must be properly installed and located in accordance with the Installation Instructions before it is used.

- Ensure that the hot water hose is connected to the “H” valve and the cold water hose is connected to the “C” valve.
- Install or store where it will not be exposed to temperatures below freezing or exposed to the weather, which could cause permanent damage and invalidate the warranty.
- Properly ground washer to conform with all governing codes and ordinances. Follow details in the Installation Instructions.
- Ensure washer is properly leveled and washer legs are adjusted such that unit is stable.
- Optional drain hose extension recommended for discharging heights from 60” - 96”.
- GE Appliances strongly recommends the use of factory specified parts. A list of factory hoses available for purchase are listed. These hoses are manufactured and tested to meet GE Appliances specifications.
- GE Appliances strongly recommends the use of new water supply hoses. Hoses degrade over time and need to be replaced every 5 years to reduce the risk of hose failures and water damage.
- Consider recycling options for your appliance packaging material.

AUTOMATIC DRAIN SEQUENCE

- Machine will automatically drain any time the door is left open for more than 15 minutes and water is present.
- Machine will automatically drain if left in a paused state with the door closed for more than 24 hours and water is present.

WHEN NOT IN USE

- Turn off water faucets to minimize leakage if a break or rupture should occur. Check the condition of the fill hoses; GE Appliances recommends changing the hoses every 5 years.

PARTS AND ACCESSORIES

Order on-line at GEApplianceparts.com today, 24 hours a day or by phone at 877.959.8688 during normal business hours. In Canada, visit your local GE Appliances parts distributor or call 800.661.1616 or GEAppliances.ca/en/products/parts-filters-accessories.

Part Number	Accessory
WX14X10011	6 ft stainless steel washer hoses with 90° elbows; 2-pack
WH49X316	Washer drain hose extension kit - Approximately 44”
WX10X10011	Tide® Washing Machine Cleaner*
PM7X2	Universal low profile washer floor tray
GFA28KITN	Stack Bracket Kit (to stack dryer on top)
GFP1528S	28” width Pedestal with drawer – White
GFP1528P	28” width Pedestal with drawer – Colors
GFR0728S	28” width Riser without drawer – White
GFR0728P	28” width Riser without drawer – Colors

*Tide® is a registered trademark of Procter & Gamble

READ AND SAVE THESE INSTRUCTIONS

Getting started

⚠ WARNING To reduce the risk of fire, electric shock, or injury to persons, read the IMPORTANT SAFETY INFORMATION before operating this appliance.

Throughout this manual, features and appearance may vary from your model.

Quick Start:

Step 1

Load clothes into your washer and close the door.



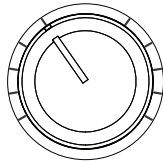
Step 2

If the screen is dark, press the Power pad or turn the knob to “wake up” the display.



Step 3

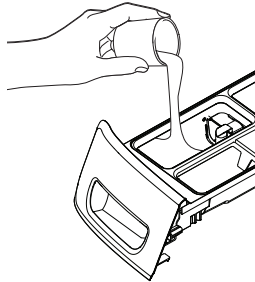
Turn the knob to select the desired cycle.



(cycle options vary by model)

Step 4

Open the dispenser and add detergent, bleach and fabric softener, as desired. Models with SmartDispense™ only require that you select the SmartDispense pad once the tank has been filled.



Step 5

Press Start to begin the wash cycle. The machine will weigh your clothes and add the proper amount of water. When the wash cycle is finished, the door will unlock.



Step 6 (on some models)

After the wash cycle is completed and the clothes unloaded, select **ULTRAFRESH VENT™** to help eliminate the excess moisture in your washer so you can close the door.



Display and Status Lights

(Features and appearance will vary)



On some models, the display shows the approximate time remaining until the end of the cycle and the washer cycle status (**Prewash, Fill, Wash, Rinse** and **Spin**).

NOTE: The cycle time is affected by how long it takes the washer to fill. This depends on the water pressure in your home. The “smart” timer “learns” the amount of time it takes to fill your washer and adjusts the total time accordingly.

On some models, if an out-of-balance condition is detected by the washer, the **Spin** status light or **Spin** option selection light will blink during the remaining portion of the cycle and will stay illuminated for a short time after cycle completion. When this occurs, the washer is taking actions to correct the out-of-balance condition and complete the cycle normally. In some cases, the washer may not be able to balance the load and spin up to full speed. If you notice the load is more wet than usual at the end of the cycle, redistribute the load evenly in the wash tub and run a **Rinse & Spin** cycle.

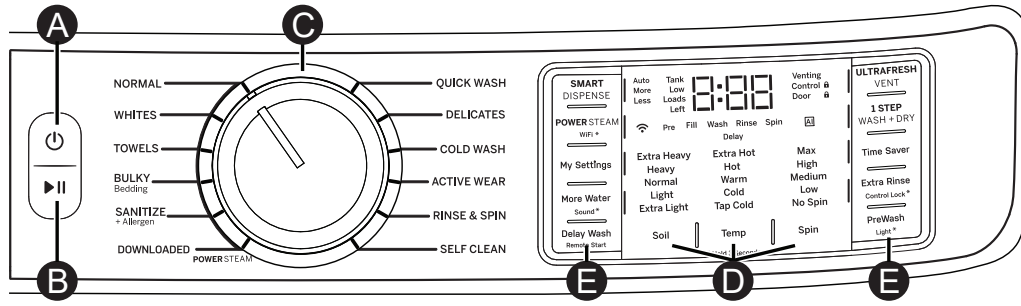
In addition, the display will show:

(WiFi) (on some models)	Will allow your appliance to communicate with your smartphone for remote appliance monitoring, control and notifications. It stays lit whenever the washer is on and is connected. It will blink during the commissioning process or if it loses connection to the network.
Venting (on some models)	Venting will blink to indicate that you can select the ULTRAFRESH VENT feature at the end of the cycle. It then stays illuminated once selected until venting is complete.
Control	The controls on the washer are locked when this icon is illuminated. You must press and hold the Control Lock pad to unlock the controls.
Door	This icon will illuminate while the door is locked and will blink while the washer is in the process of pausing and then unlocking.
Smart	This icon will illuminate when the Smart AI features of your washer are active.
Auto, More, Less (on some models)	The SmartDispense will automatically dose detergent according to the weight and soil level of the clothes. You can adjust this feature to dose MORE or LESS detergent or turn it OFF to manually dose detergent.
Tank Low (on some models)	Will display when the SmartDispense tank needs to be re-filled. Typically, this first lights up when there are approximately 8 - 10 loads of detergent remaining.
Loads Left (on some models)	Displays the estimated number of wash loads left for the amount of detergent in the SmartDispense tank.
Delay (on some models)	When you select a delay start to your wash, this will be indicated by either a light next to the pad or with the word “Delay” in the center of the options window. The display will also countdown the hours until the cycle begins.

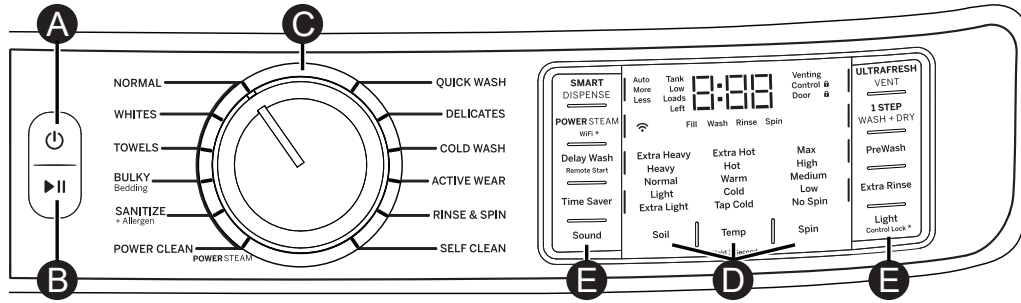
Getting started

Features and appearance will vary.

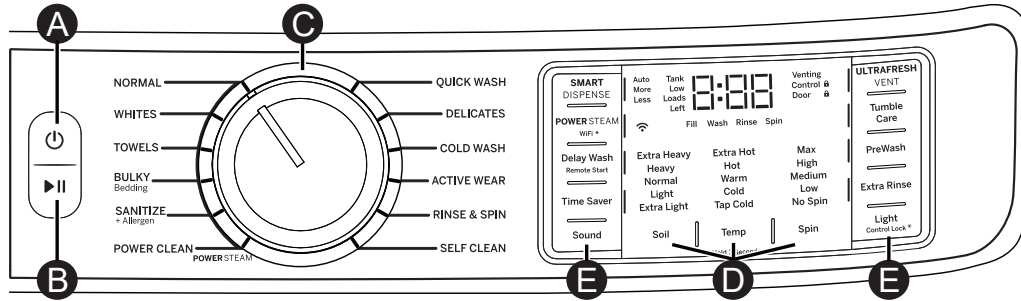
Model:
PFW950



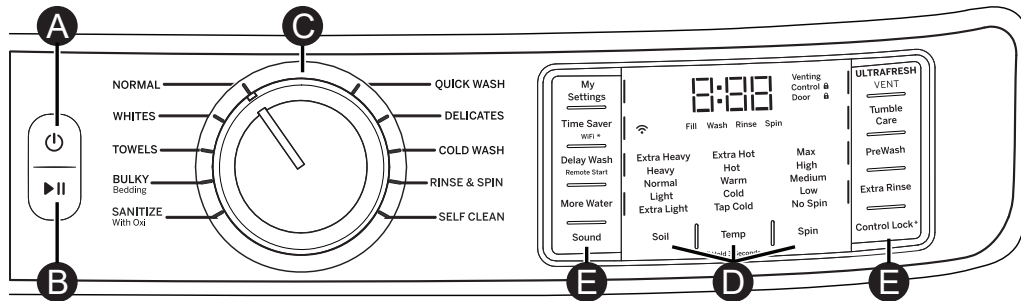
Model:
GFW850



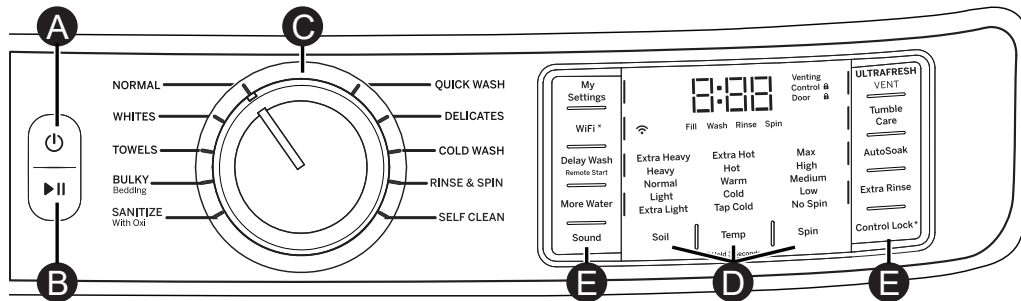
Model:
GFW650



Model:
GFW550



Model:
GFW510



Getting started

A Power

Press to “wake up” the display. If the display is active, press to put the washer into standby “OFF” mode.

NOTE: Pressing **Power** does not disconnect the appliance from the power supply.

B Start and Pause

Press to start a wash cycle. If the washer is running, pressing it once will pause the washer and unlock the door. It will take a few seconds for the door to unlock after pressing **Pause**. Press again to restart the wash cycle.

NOTE: If washer is paused and cycle is not restarted within 15 minutes, the current wash cycle will be cancelled.

NOTE: The washer performs automatic system checks after pressing the **Start** pad. Water will flow in 45 seconds or less. You may hear the door lock and unlock and the pump activate before water flows.

C Wash Cycles

The wash cycles are optimized for specific types of wash loads. The chart below will help you match the items to be washed with the best wash cycle settings. For optimal performance, select the cycle that most closely matches the items being washed. Selections and options shown in **bold** are the suggested settings for that cycle.

Delay Wash/Remote Start is available on all cycles.

Wash Cycle	Items to Wash	Soil Level	Wash Temp	Spin Selection	Options Available
Normal	Cycle for normal, regular, or typical use for washing up to a full load of normally soiled cotton clothing.	Extra Heavy Heavy Normal Light Extra Light	Extra Hot Hot Warm Cold Tap Cold	Max High Medium	Prewash* or Autosoak* Power Steam* Time Saver* Extra Rinse Tumble Care* or 1 Step Wash + Dry*
Whites	Whites and household linens.	Extra Heavy Heavy Normal Light Extra Light	Extra Hot Hot Warm Cold Tap Cold	Max High Medium Low	Prewash* or Autosoak* Power Steam* Time Saver* More Water* Extra Rinse Tumble Care* or 1 Step Wash + Dry*
Towels	Towels, sheets, pillowcases and dish rags.	Extra Heavy Heavy Normal Light Extra Light	Hot Warm Cold Tap Cold	Max High Medium Low	Prewash* or Autosoak* Power Steam* Time Saver* More Water* Extra Rinse Tumble Care* or 1 Step Wash + Dry*
Bulky Bedding	Large coats, bed spreads, mattress covers, sleeping bags, and similar large bulky items.	Extra Heavy Heavy Normal Light Extra Light	Hot Warm Cold Tap Cold	Max High Medium Low	Prewash* or Autosoak* Power Steam* Time Saver* More Water* Extra Rinse Tumble Care* or 1 Step Wash + Dry*
Sanitize+ Allergen*	Heavily soiled colorfast items with the need for sanitization.	Extra Heavy Heavy	Extra Hot	Max High Medium Low	Prewash Power Steam* Extra Rinse Tumble Care* or 1 Step Wash + Dry*
Sanitize With Oxi*	Heavily soiled colorfast items with the need for sanitization.	Extra Heavy Heavy	Extra Hot	Max High Medium Low	Prewash* or Autosoak* Extra Rinse Tumble Care

*Some cycles and options may not be available on some models.

Getting started

Wash Cycles - Continued

The wash cycles are optimized for specific types of wash loads. The chart below will help you match the items to be washed with the best wash cycle settings. For optimal performance, select the cycle that most closely matches the items being washed. Selections and options shown in **bold** are the suggested settings for that cycle. **Delay Wash/Remote Start** is available on all cycles.

Wash Cycle	Items to Wash	Soil Level	Wash Temp	Spin Selection	Options Available
Power Clean*	For heavily soiled items which require extra cleaning power.	Extra Heavy Heavy Normal	Extra Hot Hot Warm Cold Tap Cold	Max High Medium Low	Prewash Power Steam Extra Rinse Tumble Care* or 1 Step Wash + Dry*
Heavy Duty*	For washing heavily soiled, sturdy colorfast items using extended wash motions and rinses to deliver extra cleaning.	Extra Heavy Heavy Normal Light	Hot Warm Cold Tap Cold	Max Medium Low	Autosoak More Water* Delay Wash Extra Rinse Tumble Care
Quick Wash	Small loads of lightly soiled items that are needed in a hurry.	Normal Light Extra Light	Hot Warm Cold Tap Cold	Max High Medium Low	More Water* Extra Rinse Tumble Care* or 1 Step Wash + Dry*
Delicates	Lingerie and special care fabrics with light soil.	Normal Light Extra Light	Warm Cold Tap Cold	Medium Low No Spin	Prewash* or Autosoak* Time Saver* More Water* Extra Rinse Tumble Care* or 1 Step Wash + Dry*
Cold Wash	Cycle for normal, regular, or typical use for washing up to a full load of normally soiled cotton clothing using only cold water.	Extra Heavy Heavy Normal Light Extra Light	Cold Tap Cold	Max High Medium Low	Prewash* or Autosoak* More Water* Extra Rinse Tumble Care* or 1 Step Wash + Dry*
Active Wear*	Medium to lightly soiled athletic wear items of technical or synthetic fabrics.	Extra Heavy Heavy Normal Light Extra Light	Warm Cold Tap Cold	Medium Low No Spin	Prewash Time Saver Extra Rinse Tumble Care* or 1 Step Wash + Dry*
Rinse & Spin	For items that need only to be rinsed, use this cycle. To run a Drain & Spin, deselect the Extra Rinse option.			Max High Medium Low No Spin	More Water* Extra Rinse Tumble Care* or 1 Step Wash + Dry*
Down-loaded	Use the SmarHQ App to download a specialty cycle for your washer, like Jeans and Swimwear.				
Self Clean	Cleaning the basket of residue and odor. No clothes to be washed using this cycle.			Medium	

*Some cycles and options may not be available on some models.

NOTES:

The **SANITIZE + Allergen** cycle's water temperatures CANNOT be changed. This cycle utilizes elevated water temperature and a longer wash cycle to kill dust mites and reduce 99% of common bacteria from fabrics. A pump purge and extended rinse is incorporated for the purpose of removing contaminants and allergens, such as pet dander.

The **SANITIZE With Oxi** cycle's water temperatures CANNOT be changed. This cycle, when using an Oxi additive along with your detergent, is designed to remove 99% of bacteria found in home laundry. Measure the detergent and the Oxi products carefully. Using the amounts appropriate for a large heavily soiled load in a front load washer, follow the detergent and the Oxi product label instructions. The washer hot water supply connection must provide a minimum of 120°F to ensure the effectiveness of this cycle.

Only the **SANITIZE + Allergen** and **SANITIZE With Oxi** cycles have been designed to meet the requirements of sanitizing effectiveness.

Getting started

D Settings

Individual settings for soil level (**Level**), water temperature (**Temp**) and spin speed (**Spin**) can be set from the minimum to maximum. In general, the higher up the column, the more energy will be used.

Soil

Changing the **Soil** level increases or decreases the wash time to remove different amounts of soil.

To change the **Soil** level, press the **Soil** level pad until you have reached the desired setting. You can choose between Extra Light, Light, Normal, Heavy or Extra Heavy soil levels on most cycles.

Temp

Adjust to select the proper water temperature for the wash cycle. The **AutoSoak** and **PreWash** rinse water is always cold to help reduce energy usage and reduce setting of stains and wrinkles.

Follow the fabric manufacturer's care label when selecting the wash temperature.

To change the wash temperature, press the **Temp** pad until you have reached the desired setting. You can choose between Tap Cold, Cold, Warm, Hot or Extra Hot on most cycles. By design, to protect fabrics, not all wash temperatures are available for certain wash cycles. Extra Hot temperatures are enabled by the internal heater on models equipped with Steam capabilities.

NOTE: The first 10 seconds of the wash fill is always cold. This feature assists in conditioning the fabric and preventing stains from setting on garments.

Spin

Adjusting the **Spin** speed changes the final spin speed of the cycles. Always follow the garment manufacturer's care label when changing the **Spin** speed.

To change the **Spin** speed, press the **Spin** speed pad until you have reached the desired setting. You can choose between No Spin, Low, Medium, High or Max. Higher spin speeds are not available on certain cycles, such as **DELICATES** and **ACTIVE WEAR**.

Higher spin speeds remove more water from the clothes and will help reduce dry time, but may also increase the possibility of setting wrinkles on some fabrics.

NOTE: This washer features a **dBT™ (Dynamic Balancing Technology)** system. This patented onboard sensing technology enables real-time balancing of the spin cycle for each load, saving time and providing a quiet wash. This should lead to more consistent wash times and an overall reduction in noise and vibration. If the washer should experience any excessive noise, vibration or shaking, simply **Pause** the washer, open the door, and manually redistribute the load before restarting the cycle.

E Options

SMARTDISPENSE™ (on some models)

When selected, this feature will automatically add detergent to the wash, eliminating the need to add detergent for each load. See the **SmartDispense** section for details.

My Settings (on some models)

To save your favorite settings for a given cycle, set the desired options for Soil, Spin and Temp levels, extra rinse and other settings. Hold down the **My Settings** pad for 3 seconds. A beep will sound to indicate the selections for this cycle have been saved. You can choose to create **My Settings** for other cycles.

POWER STEAM (on some models)

Power Steam adds steam into the washer before the wash cycle begins to assist with loosening stains on the **NORMAL, WHITES, TOWELS, BULKY Bedding, SANITIZE+Allergen** and **POWER CLEAN** cycles.

To use:

1. Press the **Power** pad to "wake up" the washer and select a wash cycle.
2. Press the **POWER STEAM** pad to activate steam.
3. Press the **Start/Pause** pad.

WiFi (may be a shared pad with other options)

Press and hold the **WiFi*** pad for 3 seconds to activate. See the **WiFi Connect** section for details on how to get started with WiFi connection.

Getting started

E Options

Delay Wash/Remote Start

You can delay the start of a wash cycle for up to 24 hours or remote start the washer by using the **Delay Wash/Remote Start** feature. Press to step by hours or hold to scroll the **Delay Wash** pad to set the amount of time you want to delay the start of the wash cycle. If you have connected your washer to WiFi, the first selection, "AP", can be selected to enable remote starting of your washer from the GE Appliance Smartphone app. Or, if you select a delay time in hours, the machine will count down and start automatically following this period. Press the **Start** pad once you have configured the **Delay Wash** to the proper setting to enable this feature. To cancel this option, simply power off and power on the controls.

NOTE: If you forget to fully close the door, a reminder signal will beep reminding you to do so.

NOTE: If you open the door when the delay is counting down, the machine will enter the pause state. You must close the door and press **Start** again in order to restart the countdown.

Time Saver (on some models)

This option reduces the overall washer cycle time by optimizing the wash, rinse and spin actions and/or gently raising the wash temperature to get clothes cleaned faster. Option is available on **NORMAL, WHITES, TOWELS, DELICATES, BULKY Bedding** and **ACTIVE WEAR** cycles. Total wash time will vary based on cycle chosen and options selected.

To use:

1. Turn power on and select a wash cycle which has **Time Saver** as an option.
2. Press the **Time Saver** pad to reduce the overall wash time.
3. Press the **Start/Pause** pad.

More Water (on some models)

This option adds approximately 3 gallons to the wash and rinse portions of the cycle. If the option is selected before the cycle starts, the water will be added from the beginning of the wash cycle and later to the rinse. If the option is selected during the wash portion, more water will be added at this point and later to the rinse. Likewise, if the **More Water** option is selected after the wash portion has completed, the washer will add more water to the rinse only. If wash and rinse have completed, the **More Water** pad will no longer be active.

ULTRAFRESH VENT System with ODORBLOCK™ (on GE Appliances and Profile models only)

The ULTRAFRESH VENT System with OdorBlock was designed to eliminate excess moisture in the washer following a wash cycle to help prevent odors from developing. This washer was designed to drain water at the end of the cycle more effectively. Following the wash cycle, the user can then choose to leave the door open or select the ULTRAFRESH VENT feature to assist with drying out the gasket and other areas of the washer. The OdorBlock system features multiple components which are manufactured with Microban® antimicrobial technology.* Microban is a safe and effective antimicrobial technology that will last the life of your washer. For more information, please visit www.microban.com/geappliances.

ULTRAFRESH VENT is available after the wash cycle is complete and you have removed your cleaned laundry. Once the door is closed, a notification tune will play and the **ULTRAFRESH VENT** pad LED will blink. Upon pressing the pad, ULTRAFRESH VENT will begin.

To select ULTRAFRESH VENT at any other point, power on the washer, ensure a cycle is not actively running, and remove any garments from the basket, then press and release the **ULTRAFRESH VENT** pad so that the notification tune plays and the **ULTRAFRESH VENT** pad LED begins to blink. Then press the **ULTRAFRESH VENT** pad again to start the feature.



During the operation of ULTRAFRESH VENT the door will remain locked and the washer will intermittently spin at low speeds for up to 8 hours. Profile models utilize a sensor to determine end time.

If garments are detected in the basket during ULTRAFRESH VENT, the washer will instead run **TUMBLE CARE** or **1 STEP WASH + DRY**, based on option availability for your model.

The ULTRAFRESH VENT feature may be cancelled at any time by pressing the **POWER** pad, turning the cycle knob, or pressing the **ULTRAFRESH VENT** pad.

SmartHQ App Enabled

There are several options that support your WiFi connected washer available through the SmartHQ App. Not only does this App enable you to receive over the air upgrades and updates to your washers software, but it unlocks special features for your washer. Among those features are **Adaptive SmartDispense, Adaptive My Settings** and **Stain Removal Guide**.



*Microban® is a registered trademark of Microban International, Ltd.

Getting started

E Options

1 STEP WASH + DRY (on some models)

This option is available on all cycles except **Self Clean**.

The **1 STEP WASH + DRY** is intended for small loads only. Use when clothes need to be washed, dried and ready to wear or finished the next morning. This feature will tumble clothes and introduce a constant stream of air into the washer compartment upon completion of select wash cycles. Although the drying portion is set to 8 hours, the clothes can be removed at any time by pressing **Pause** or **Power** to cancel the cycle.

Tumble Care (on some models)

Freshly tumbles your garments periodically for up to 8 hours after the wash cycle is complete to lessen the setting of wrinkles and creases when you are not able to move clothing to the dryer right away.

At the end of the cycle, the display will scroll "END" and after ten minutes the **Tumble Care** will begin. It can be stopped at any time by pressing the **Power** pad.

PreWash (on some models)

Prewash is an extra wash before the main wash. Use it for heavily soiled clothes or for clothes with a care label that recommends prewashing before washing. Be sure to add liquid or powder high-efficiency detergent, or the proper wash additive to the prewash dispenser. Washers equipped with **SmartDispense** will automatically add the proper amount of detergent for prewash based on the load size.

PreWash must be selected prior to pressing **Start**.

The **PreWash** feature will fill the washer (adding the prewash detergent), tumble the clothes, drain and spin. Then the washer will run the selected wash cycle.

NOTE: In some special cycles, the prewash is selected automatically as the default. You can turn off this selection at any time. The main wash will use new detergent from the manual detergent compartment and from the SmartDispense tank (on some models).

AutoSoak (on some models)

For soaking your garments prior to the wash cycle. This option begins with a brief tumble and then proceeds to soak the clothes with water and detergent for a specified period of time. Once complete, the cycle will continue automatically. **AutoSoak** must be selected prior to pressing the start pad. The **AutoSoak** time will add an additional 15 minutes, 30 minutes, 1 hour or 2 hours to the overall wash time. High-efficiency detergent from the main wash compartment in the dispenser is used for the **AutoSoak** period and main wash cycle.

Extra Rinse

This option allows for an extra rinse during a cycle to remove excess dirt and detergent from soiled loads. Press the **Extra Rinse** pad to select.

NOTE: On **RINSE & SPIN** cycle, a **drain and spin** cycle can be achieved by pressing the **Extra Rinse** pad until the LED is no longer illuminated.

Light (on some models)

The basket light will turn on and remain on for 5 minutes when the door opens, **Start/Pause** pad is pressed, or by pressing the **Light** pad.

The basket light can be turned off by pressing the **Light** pad.

Add Garment (on some models)

If you need to add garments after the cycle has started, press the **Add Garment** pad and the unit will unlock the door, allowing additional garments. The **Add Garment** feature is only available when the LED is lit on the pad. After a certain point in the cycle, the LED will not be lit any longer and adding a garment is not allowed.

Sound

To change the loudness of the end of cycle signal and the press pad volume, press the **Sound** pad as many times as needed to reach the desired volume. There are four sound levels including off.

Control Lock (Light-Control Lock pad) (depending on model)

You can lock the controls to prevent any selections from being made. Or you can lock or unlock the controls after you have started a cycle.

Children cannot accidentally start the washer by touching pads with this option selected.

To lock/unlock the washer, press and hold the **Control Lock/Light-Control Lock** pad for 3 seconds. A sound is made to indicate the lock/unlock status. The control lock icon on the display will light up when it is on.

NOTE: The **Power** pad can still be used when the machine is locked.

Getting started

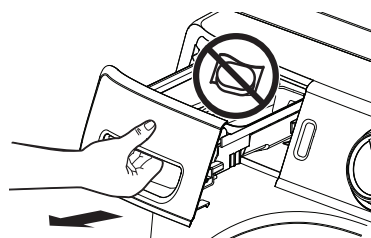
Dispenser Drawer

Slowly open the dispenser drawer by pulling it out until it stops. After adding laundry products, slowly close the dispenser drawer. Closing the drawer too quickly could result in early dispensing of the bleach, fabric softener or detergent.

You may see water in the detergent, bleach and fabric softener compartments at the end of the cycle. This is a result of the flushing/siphoning action and is part of the normal operation of the washer.

Do **NOT** put detergent packets in the dispenser drawer.

NOTE: Use only liquid or powder HE detergents and additives in the dispenser drawer. Laundry detergent packets should only be added directly to the wash basket following the manufacturer's directions.



Use only HE High-Efficiency detergent



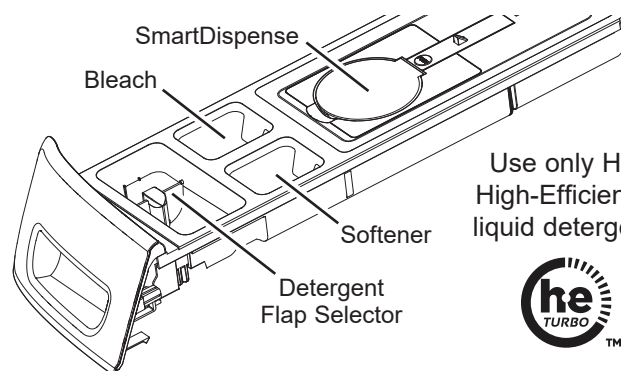
SmartDispense™ (on some models)

When selected, this feature will automatically add detergent to the wash, eliminating the need to add detergent for each load.

The detergent amount selection on the control panel will default to **AUTO** when first powering up the washing machine. When **AUTO** is selected, the amount of detergent needed for each laundry load will automatically be determined based on the size of the load the machine senses.

For **AUTO**, the washer will dispense approximately 1.5 oz of detergent for an 8 lb normal load. For other loads, it will adjust proportionally based on the size of load and garment type. If you select **LESS**, the amount of detergent will be reduced by 40%. This may be desired for higher concentrate detergents or if you have very soft water. For heavily soiled loads, you may want to select **MORE** to add 40% more detergent than the **AUTO** level. You can set the brand/type of detergent in the SmartHQ App so that the washer can make adjustments based on detergent manufacturers recommendations.

NOTE: Not all cycles will allow the use of the SmartDispense feature. If the light is not illuminated and pressing the **SMART DISPENSE** pad results in a beeping tone, then SmartDispense is not allowed for the cycle that has been selected. Detergent will need to be added directly to the detergent compartment for these cycles.



Use only HE High-Efficiency liquid detergent



If it is desired to manually add detergent for a particular load:

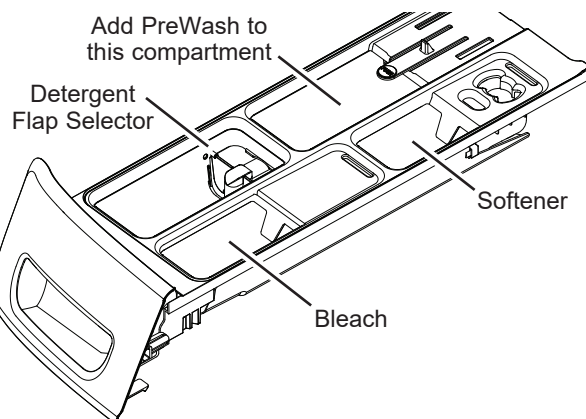
1. Press the **SMART DISPENSE** pad on the control panel until its light turns off which indicates the SmartDispense feature has been turned off.
2. Set the flap in the detergent compartment to the type of detergent to be used - Powder or Liquid. See the **Detergent Compartment** section.
3. Add the desired amount of detergent into the detergent compartment.

If the display indicates that the SmartDispense tank is estimating there is insufficient detergent to wash a load, the SmartDispense light will flash. The washer can still run a cycle, but it suggested that you add detergent in the manual detergent compartment or refill the SmartDispense tank.

Prewash Compartment (on some models)

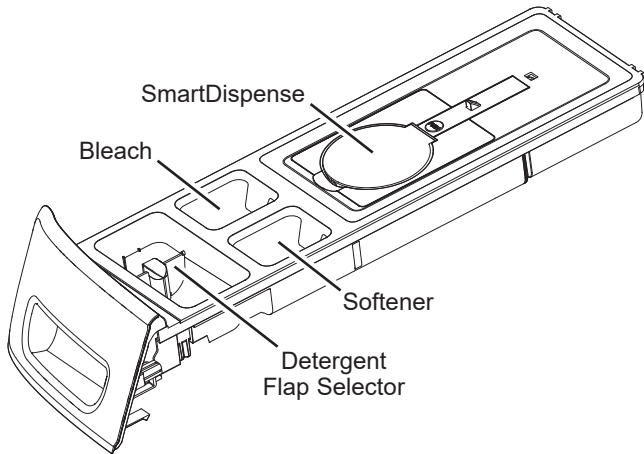
Only use the prewash compartment if you are selecting the **PreWash** cycle for heavily soiled clothes. Add measured detergent or prewash additive to the back left prewash compartment of the dispenser drawer.

- Detergent or prewash additive is flushed from the dispenser in the **PreWash** (if selected).
- Detergent usage may need to be adjusted for water temperature, water hardness, size and soil level of the load. Avoid using too much detergent in your washer as it can lead to over sudsing and detergent residue being left on the clothes.

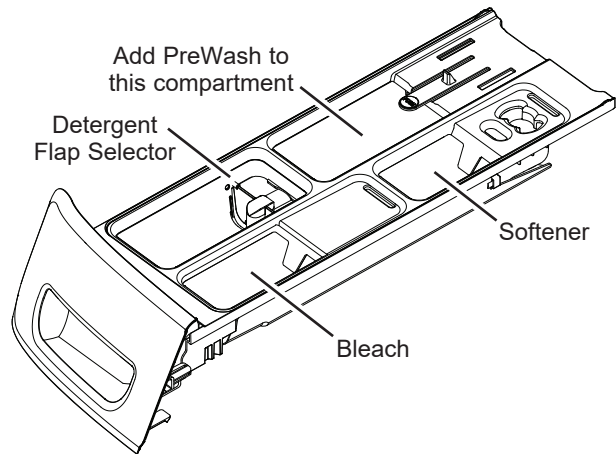


Getting started

On models with SmartDispense:



On models without SmartDispense:



Detergent Compartment

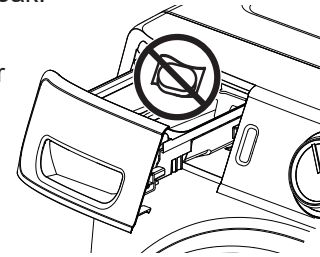
Only use high-efficiency detergent in this washer. Do NOT fill high-efficiency detergent over the MAX line. Use detergent manufacturer's recommended amount.

- **Powder Detergent** – Lift the flap up for powder detergent. This must be done to dissolve and flush detergent properly. Follow the detergent manufacturer's instructions when measuring the amount of powder detergent to use.
- **Liquid Detergent** – Keep the flap down for liquid detergent. This retains the liquid detergent until it automatically flushes at the start of the wash cycle. Follow the detergent manufacturer's instructions when measuring the amount of liquid detergent to use.

Detergent usage may need to be adjusted for water temperature, water hardness, size and soil level of the load. Avoid using too much detergent in your washer as it can lead to oversudsing, detergent residue being left on the clothes, and could extend wash times.

Do not put clumped detergent in the dispenser. Clumped detergent can cause a leak.

Do **NOT** put detergent packets in the dispenser drawer.



Liquid Bleach Compartment

If desired, measure out the recommended amount of liquid bleach, not to exceed 1/3 cup (80 ml) and pour into the compartment labeled "LIQUID BLEACH" marked with this symbol .

It is recommended to use High-Efficiency (HE) bleach in this front-load washer.

Do not exceed the maximum fill line. Overfilling can cause early dispensing of the bleach which could result in damaged clothes.

NOTE: Do not use powdered bleach or laundry detergent/additive packets in the dispenser.

Fabric Softener Compartment

If desired, pour the recommended amount of liquid fabric softener into the compartment labeled "FABRIC SOFTENER".

Use only liquid fabric softener in the dispenser.

Dilute with water to the maximum fill line.

Do not exceed the maximum fill line. Overfilling can cause early dispensing of the fabric softener, which could stain clothes.

NOTE: Do not pour fabric softener directly on the wash load.

Consumer Help Indicator

Your washer is equipped with Consumer Help Indicator (CHI). CHI is our way to communicate a simple remedy for some situations that you can perform without the need to call for service. The chart below describes the helpful messages you may notice scrolling on your display when you return to start another load. These messages will provide simple remedies you can quickly perform.

<p>Spin light blinking</p>	<p>If an out-of-balance condition is detected by the washer, the Spin light will blink during the remaining portion of the cycle and will stay illuminated for a short time after cycle completion. When this occurs, the washer is taking actions to correct the out-of-balance condition and complete the cycle normally. In some cases, the washer may not be able to balance the load and spin up to full speed. If you notice the load is more wet than normal at the end of the cycle, redistribute the load evenly in the wash basket and run a Drain & Spin cycle. (See Extra Rinse in the Getting Started - Options section for details.)</p>
<p>"H2O SUPPLY" (Water not entering washer)</p>	<p>Check your house water supply. Did you forget to turn on one or both supply valves after installation or coming back from vacation? As soon as the message starts to scroll, the washer will initiate a 4 minute lock-out period. The washer controls won't respond/change during this time. After the 4 minutes, you can begin your cycle again. If you try to bypass the lock-out period by unplugging the washer, the 4 minute timer will start over again.</p>
<p>"CAnCELEd"</p>	<p>"CAnCELEd" may scroll on the display if the machine was paused for longer than 24 hours or if the machine has stopped itself before the cycle completed due to certain errors. As soon as the message starts to scroll, the washer will initiate a 4 minute lock-out period. The washer controls won't respond/change during this time. After the 4 minute period, you can begin your cycle again. If you try to bypass the lock-out period by unplugging the washer, the 4 minute timer will start over again. If the problem persists, call GE Appliances at 800.GE.CARES (800.432.2737) for service.</p>
<p>"door"</p>	<p>"door" will be shown on the display if you try to start a cycle when the door is not fully closed. "door" will also be shown on display if 3 cycles have been started without opening the door. The washer will not start another cycle until the door is opened. In either circumstance, try opening and closing the door, and then starting a new cycle. If the problem persists, call GE Appliances at 800.GE.CARES (800.432.2737) for service.</p>

Appliance Communication

WiFi Connect (For customers in the United States only - GE Appliances and Profile models only)

Your washer is **GE Appliances WiFi Connect** enabled.

It is highly recommended that you connect your washer to WiFi to download the latest software, receive periodic updates and benefit from many of the extended features available through the SmartHQ App. Many of the AI features for your washer require connection to the SmartHQ App.

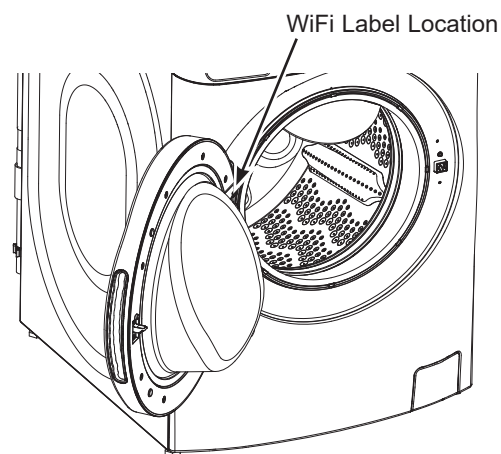
Visit geappliances.com/connect and enter your model number to show you the proper steps to connect your appliance.

Take special note of your washer's serial number and MAC ID address on the front of this manual.

Please visit GEAppliances.com/connect to learn more about connected appliance features, to learn what connected appliance App's will work with your smartphone.

WiFi Connectivity: For assistance with the appliance or the **ConnectPlus** network connectivity, please call GE Appliances at **800.220.6899**.

Scan here to get started.



Loading

Always follow fabric manufacturer's care label when laundering.

Sorting Wash Loads

Sort by color (whites, lights, colors), soil level, fabric type (sturdy cottons, easy care, delicates) and whether the fabric produces lint (terry cloth, chenille) or collects lint (velveteen, corduroy). Wash lint producers such as cotton towels and socks separate from lint collectors including synthetic garments and dress pants.

▲ WARNING  - Fire Hazard

- DO NOT** wash fabrics soiled with flammable liquids or cleaning solvents.
No washer can completely remove oil.
- DO NOT** dry anything that has been soaked in or spotted with any type of oil.
- DO NOT** reach into the washer until all moving parts have stopped.
Doing so can result in death, explosion, fire or amputation.

Loading the Washer

The wash drum may be fully loaded with loosely added items.

To add items after the washer has started, press **Start/Pause** and wait until the door is unlatched. The washer may take up to 30 seconds to unlock the door after pressing **Start/Pause**, depending on the machine conditions. Do not try to force open the door when it is locked. After the door unlocks, open gently. Add items, close the door and press **Start/Pause** to restart.

Loading Examples

WORKWEAR	LINENS	MIXED LOAD	DELICATES*	QUICK WASH (2-3 GARMENTS)
4 Jeans 5 Work Wear Shirts 3 Work Wear Pants	2 Bath Sheets 10 Bath Towels/ 12 Washcloths 7 Hand Towels/ 2 Terrycloth Bath Mats OR 2 Flat Queen-Sized Sheets 2 Fitted Queen-Sized Sheets 4 Pillowcases	4 Pillowcases 2 Hand Towels 2 Flat Sheets/ 2 Fitted Sheets 2 Bath Towels/ 4 Washcloths OR 6 Shirts (Men's or Women's) 4 Pair Pants (Khakis or Twills) 5 T-shirts 7 Pairs of Boxers 4 Pairs of Shorts OR 6 T-shirts 4 Pairs of Sweatpants 4 Sweatshirts 2 Hoodies 7 Pairs of Socks	7 Bras 7 panties 3 Slips 2 Camisole 4 Nightgowns *Using a nylon mesh bag for small items is recommended.	2 Casual Wear Work Shirts 1 Pair Casual Wear Work Pants OR 3 Soccer Uniforms

Care and cleaning

Water Supply Hoses

Periodically inspect all water inlet hoses for water leaks, wear, cuts, corrosion, and bulges. Replace all hoses immediately if any sign of these failures appear. All hoses should be replaced every 5 years of use to reduce risk of hose failures and possible water damage. When replacing hoses, refer to the Installation Instructions for proper installation. **DO NOT** overtighten or cross thread fittings. **DO NOT** allow the hose to rub against sharp objects, become kinked, or become over stretched. Always ensure hose rubber gaskets are installed and free from leaks when pressurized.

Exterior

Immediately wipe off any spills. Wipe or dust spills or washing compounds with a damp cloth. Washer control panel and finishes may be damaged by some laundry pretreatment and stain remover products. Apply these products away from the washer. The fabric may then be washed and dried normally. Damage to your washer caused by these products is not covered by your warranty. Do not hit surface with sharp objects.

Interior

Dry around the washer door opening, flexible gasket (including attached hoses) and door glass. These areas should always be clean to ensure a watertight seal. You will notice if you regularly use the ULTRAFRESH VENT System that this will not be required as often. It is recommended to rinse the washer at least once per month with 1 cup of bleach (or other commercially available product manufactured for this purpose, such as Tide® Washing Machine Cleaner) poured directly into the basket without clothes and using the **Self Clean** Cycle.

Self Clean

To clean the interior of the washer, select the **SELF CLEAN** feature on the control panel. This **Self Clean** cycle should be performed, at a minimum, once per month or about every 40 wash cycles. This cycle will use more water, in addition to bleach, to control the rate at which soils and detergents may accumulate in your washer.

NOTE: Read the instructions below completely before starting **Self Clean** cycle.

1. Remove any garments or objects from the washer and ensure the washer basket is empty.
2. Open the washer door and pour one cup or 250 ml of liquid bleach or other washing machine cleaner into the basket.
3. Close the door and select the **SELF CLEAN** cycle. Push the **Start** pad.
4. When the **Self Clean** cycle is working, the display will show the estimated cycle time remaining. The cycle will complete in about 90 minutes. Do not interrupt the cycle.



5. After the cycle is complete (on some models), the washer will automatically start an ULTRAFRESH VENT operation so that the door can remain closed until the next time you use the washer.

If for any reason the cycle needs to be interrupted, the door will not open immediately. Forcing open the door at this stage may cause water to flood. The door will open after the water is drained to a level where it would not flood the floor.

Self Clean may be interrupted by pressing the **Start** pad in between cycles. A power outage in the house might also interrupt the cycle. When the power supply is back, the **Self Clean** cycle resumes where it had stopped. When interrupted, be sure to run a complete **Self Clean** cycle before using the washer. If the **Power** pad is pressed during **Self Clean**, the cycle will be lost.

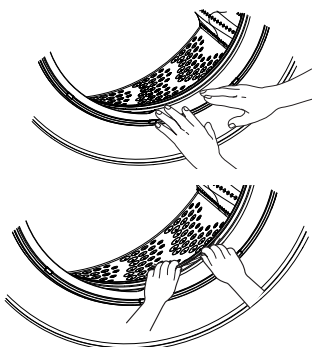
IMPORTANT:

- Run **Self Clean** with one Cup (250 ml) of bleach once a month.
- After the completion of a **Self Clean** cycle, the interior of your washer may have a bleach smell.
- It is recommended to run a **RINSE & SPIN** or a light color load after the **Self Clean** cycle.

Door Gasket

Open the washer door. Using both hands, press down the door gasket.

While holding down the door gasket, inspect the interior fold. Remove any foreign objects if found trapped inside this gasket.



Make sure there is nothing blocking the holes behind the gasket.

When you are finished cleaning the door gasket, release it and the gasket will return to the operating position.



Care and cleaning

Dispenser Drawer Area

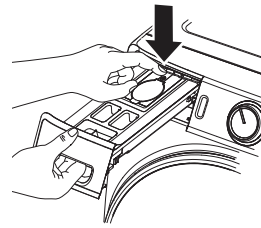
Detergent and fabric softener may build up in the dispenser drawer. Residue should be removed once or twice a month.

- Remove the drawer by first pulling it out until it stops. Then reach back into the rear of the drawer cavity and press down firmly on the lock tab, pulling out the drawer.
- Rinse the drawer with hot water to remove traces of accumulated laundry products.
- To clean the drawer opening, use a small brush to clean the recess. Remove all residue from the upper and lower parts of the recess.
- Replace the dispenser drawer.
- To reduce buildup in the Dispenser Drawer area:

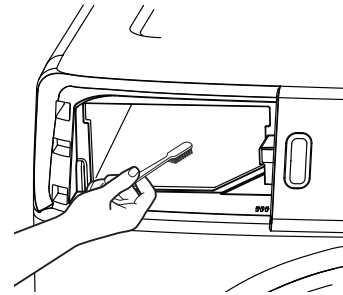
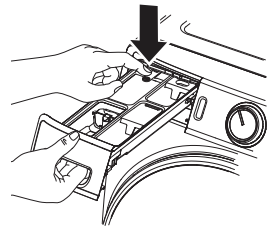
Use only HE High-Efficiency detergent



On models with SmartDispense:



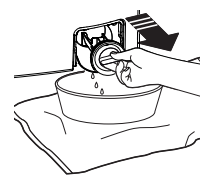
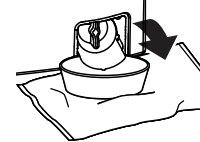
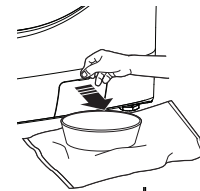
On models without SmartDispense:



Pump Filter

Due to the nature of the front-load washer, it is sometimes possible for small articles to pass to the pump. The washer has a filter to capture lost items so they are not dumped to the drain. To retrieve lost items, clean out the pump filter.

1. Using a small flathead screwdriver or coin, open the access door.
2. Place a shallow pan or dish under the pump access door and towels on the floor in front of the washer to protect the floor. It is normal to catch about a cup of water when the filter is removed.
3. Pull down the pour spout.
4. Turn the pump filter counterclockwise and remove the filter slowly, controlling the flow of the draining water.
5. Remove the filter and clean the debris from the filter.
6. Replace the filter and turn clockwise. Tighten securely.
7. Flip up the pour spout.
8. Close the access door by hooking the bottom tabs first, then rotating the access door shut.



Video

Scan this code to watch a video on this topic.

Moving and Storage

Ask the service technician to remove water from drain pump and hoses. Do not store the washer where it will be exposed to the weather. When moving the washer, the tub should be kept stationary by using the shipping bolts removed during installation. See Installation Instructions in this manual. If these parts are not available, they can be ordered by visiting our Website at GEApplianceparts.com or by calling GE Appliances at 877.959.8688. In Canada, visit your local GE Appliances parts distributor or call 800.661.1616 or GEAppliances.ca/en/products/parts-filters-accessories.

Long Vacations

Be sure water supply is shut off at faucets. Drain all water from hoses and water filter pump area if weather will be below freezing.

Installation Instructions

Washer

If you have any questions, call GE Appliances at 800.GE.CARES (800.432.2737) or visit our Website at: GEAppliances.com
In Canada, call 800.561.3344 or visit GEAppliances.ca

BEFORE YOU BEGIN

Read these instructions completely and carefully.

- **IMPORTANT** — Save these instructions for local inspector's use.
- **IMPORTANT** — Observe all governing codes and ordinances.
- **Note to Installer** — Be sure to leave these instructions with the Consumer.
- **Note to Consumer** — Keep these instructions for future reference.
- **Skill level** — Installation of this appliance requires basic mechanical and electrical skills.
- **Completion time** — 1-3 hours
- Proper installation is the responsibility of the installer.
- Product failure due to improper installation is not covered under the Warranty.

LOCATION OF YOUR WASHER

DO NOT Install the Washer:

1. In an area exposed to dripping water or outside weather conditions. The ambient temperature should never be below 60°F (15.6°C) for proper washer operation.
2. In an area where it will come in contact with curtains or drapes.
3. On carpet. The floor **MUST** be a hard surface with a maximum slope of 1/2" per foot (1.27 cm per 30 cm). To make sure the washer does not vibrate or move, you may have to reinforce the floor.

NOTE: If floor is in poor condition, use 3/4" impregnated plywood sheet solidly attached to existing floor covering.

MOBILE HOME INSTALLATION:

Installation must conform to Standard for Mobile Homes, ANSI A119.1 and National Mobile Home Construction and Safety Standards Act of 1974 (PL93-383).

TOOLS REQUIRED

- Level
- Adjustable wrench



- Channel-lock adjustable pliers

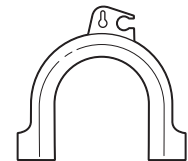


- Phillips screwdriver



PARTS SUPPLIED

- Shipping Bolt Covers
- Drain Hose Guide



- Lock Bar - Retain for Reversing the Door Swing (optional on some models only)



- Cable Tie



PARTS REQUIRED (Sold separately or included with the GFW510 model)

- Water Hoses (2)
- Rubber Washers (2) and Strainer Screens (2)



GE Appliances Parts and Accessories

Order on-line at GEApplianceparts.com today, 24 hours a day or by phone at 877.959.8688 during normal business hours. In Canada, visit your local GE Appliances parts distributor or call 800.661.1616 or GEAppliances.ca/en/products/parts-filters-accessories.

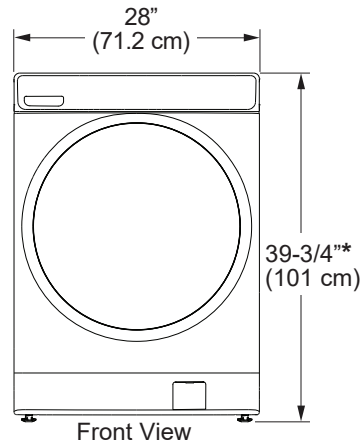
Part Number	Accessory
-------------	-----------

WX14X10011	6 ft stainless steel washer hoses with 90° elbows; 2-pack
------------	---

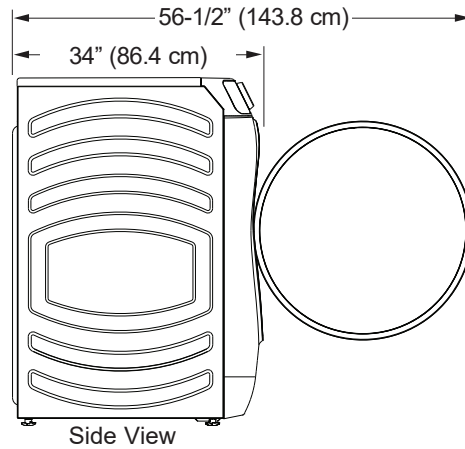
WH1X2267	Rubber Washer (1) and Screen (1)
----------	----------------------------------

Installation Instructions

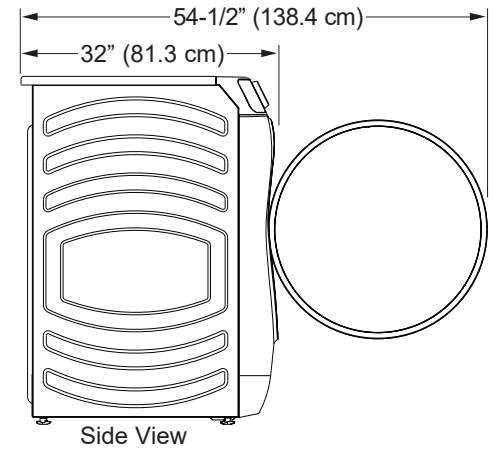
WASHER DIMENSIONS



Models - PFW950, GFW850:



Models - GFW650, GFW550, GFW510:

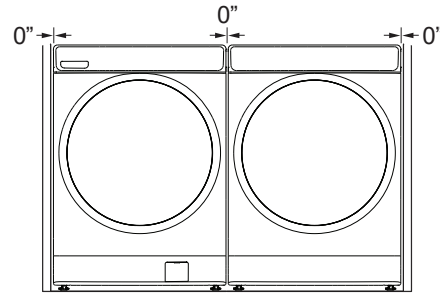
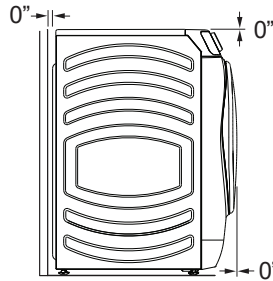


*With leveling legs retracted: 39-3/4 (101 cm). / With leveling legs fully extended: 40-5/8 (103.1 cm).

MINIMUM CLEARANCES

Alcove or Closet

- Rear = 0"
- Sides = 0"
- Top = 0"
- Front = 0"



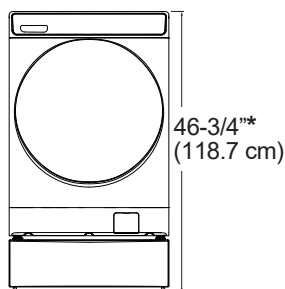
- Consideration must be given to provide adequate clearance for installation and service.
- Closet doors must be louvered or otherwise ventilated and have at least 60 square inches (387.1 cm²) of open area. If the closet contains both a washer and a dryer, doors must contain a minimum of 120 square inches (774.2 cm²) of open area.
- *To enable 0" clearance on the back of the washer, you must use 90° elbow hoses. Otherwise you may require some additional clearance to avoid rubbing of the hoses against the back wall.

ACCESSORIES:

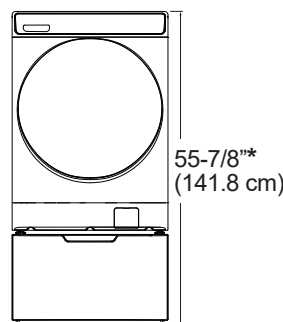
Order on-line at GEApplianceparts.com, 24 hours a day or by phone at 877.959.8688 during normal business hours.

Part Number	Accessory
GFR0728SNWW	White Riser
GFR0728PNSN	Satin Nickel Riser
GFR0728PNRS	Royal Sapphire Riser
GFR0728PNDG	Diamond Gray Riser
GFR0728PTDS	Black Slate Riser
GFP1528SNWW	White Pedestal
GFP1528PNSN	Satin Nickel Pedestal
GFP1528PNRS	Royal Sapphire Pedestal
GFP1528PNDG	Diamond Gray Pedestal
GFP1528PTDS	Black Slate Pedestal
GFA28KITN	Stacking Kit for Dryer over Washer

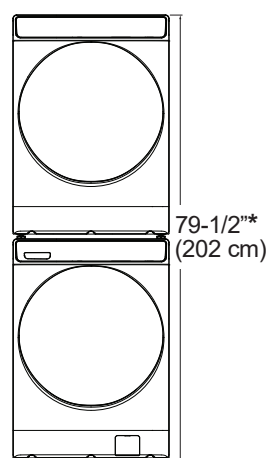
Riser:



Pedestal:



Stacked:



Follow the **Installation Instructions** included in the Kit for all clearances and installation requirements.

*With leveling legs retracted. See the **WASHER DIMENSIONS** section above for legs extension dimensions.

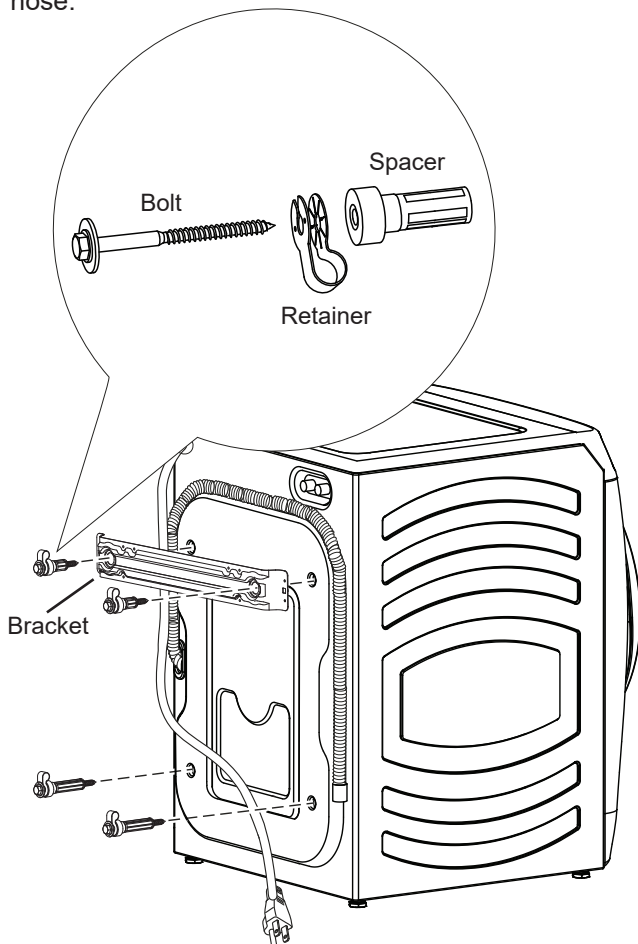
Installation Instructions

UNPACKING THE WASHER

▲ WARNING Recycle or destroy the carton and plastic bags after the washer is unpacked. Make materials inaccessible to children. Children might use them for play. Cartons covered with rugs, bedspreads or plastic sheets can become airtight chambers causing suffocation.

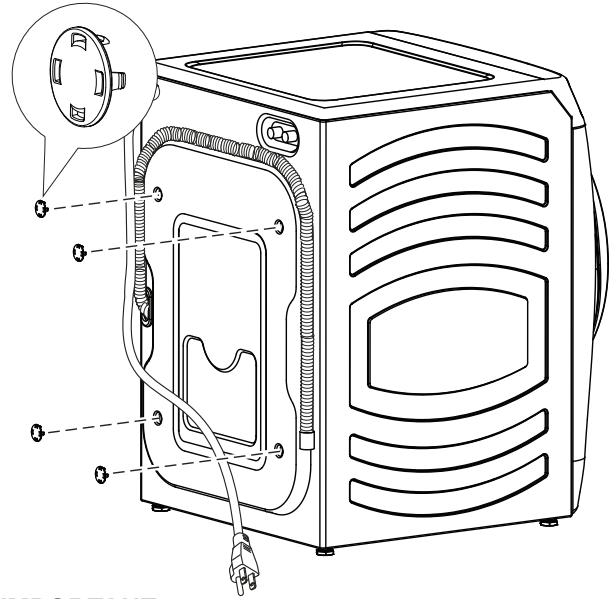
1. Cut and remove all packaging straps.
2. While it is in the carton, carefully lay the washer on its side. DO NOT lay the washer on its front or back.
3. Turn down the bottom flaps. Remove all base packaging including the styrofoam base.
4. Carefully return the washer to an upright position and remove the carton by lifting it upward.
5. Carefully move the washer to within 4 feet (122 cm) of the final location.
6. Remove the following from the back side of the washer:
 - 4 bolts
 - 4 plastic spacers (including power cord retainers and rubber grommets)
 - 1 bracket and the screws fastening it to the washer

NOTE: Do NOT remove the screw or clip holding the hose.



UNPACKING THE WASHER (cont.)

7. Insert shipping bolt hole covers into shipping bolt holes.



IMPORTANT:

- Failure to remove all shipping support hardware can cause the washer to become severely unbalanced.
- Save all shipping support hardware for future use. If you must transport the washer at a later date, you must reinstall the shipping bolts and spacers to prevent shipping damage. The bracket is not required and can be discarded.

NOTE: Consider recycling options for your appliance packaging material.

Installation Instructions

ELECTRICAL REQUIREMENTS

⚠ WARNING - Electrical Shock Hazard

Plug into a grounded 3-prong outlet.

DO NOT remove ground prong.

DO NOT use an adapter.

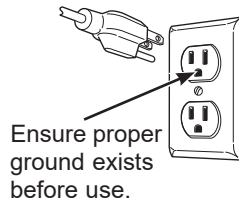
DO NOT use an extension cord.

Failure to follow these instructions can result in death, fire or electrical shock.

CIRCUIT – Individual, properly polarized and grounded 15 or 20 amp circuit breaker or time-delay fuse.

POWER SUPPLY – 2 wire plus ground, 120 Volt, single phase, 60 Hz, alternating current.

Outlet Receptacle – Properly grounded 3-prong receptacle to be located so the power cord is accessible when the washer is in an installed position. If a 2-prong receptacle is present, it is the owner's responsibility to have a licensed electrician replace it with a properly grounded 3-prong grounding type receptacle.



Washer must be electrically grounded in accordance with local codes and ordinances, or in the absence of local codes, with latest edition of the NATIONAL ELECTRICAL CODE, ANSI/NFPA NO. 70 or CANADIAN ELECTRICAL CODE, CSA C22.1. Check with a licensed electrician if you are not sure that the washer is properly grounded.

GROUNDING INSTRUCTIONS

This appliance must be grounded. In the event of malfunction or breakdown, grounding will reduce the risk of electric shock by providing a path of least resistance for electric current. This appliance is equipped with a cord having an equipment-grounding conductor and a grounding plug. The plug must be plugged into an appropriate outlet that is properly installed and grounded in accordance with all local codes and ordinances.

⚠ WARNING Improper connection of the equipment-grounding conductor can result in a risk of electrical shock. Check with a qualified electrician, or service representative or personnel, if you are in doubt as to whether the appliance is properly grounded. **DO NOT** modify the plug on the power supply cord. If it will not fit the outlet, have a proper outlet installed by a qualified electrician.

If required by local codes, an external 18 gauge or larger copper ground wire (not provided) may be added. Attach to washer cabinet with a #10-16 x 1/2" sheet metal screw (available at any hardware store) to rear of washer.

⚠ WARNING - Electrical Shock Hazard

Disconnect power supply before servicing.

Replace all parts and panels before operating.

Failure to do so can result in death or electrical shock.

⚠ WARNING - Shock Hazard

Certain internal parts are intentionally not grounded and may present a risk of electric shock only during servicing.

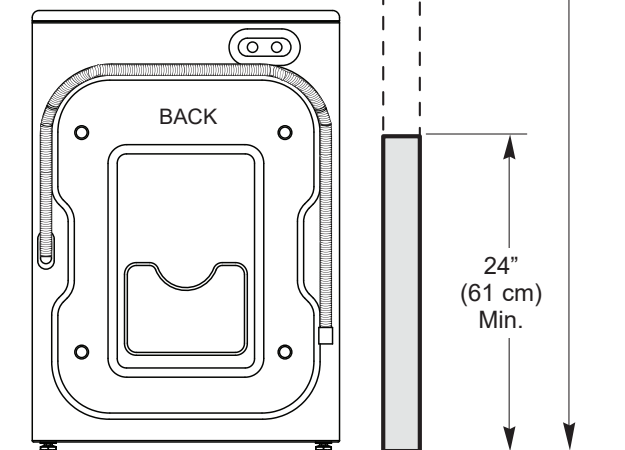
Service personnel – DO NOT contact the following parts while the appliance is energized: water valve, drain pump, NTC, heater, door lock, inverter board, motor and MC board.

WATER SUPPLY REQUIREMENTS

The faucets **MUST** be 3/4" (1.9 cm) garden hose-type so inlet hoses can be connected. Water pressure **MUST** be between 10 and 120 pounds per square inch. Your water department can advise you of your water pressure. The hot water temperature should be set to deliver water at 120° to 140°F (48°–60°C) to provide proper Automatic Temperature Control (ATC) performance.

DRAIN REQUIREMENTS

1. Drain capable of eliminating 10 gallons (38 L) per minute.
2. A standpipe diameter of 1-1/4" (3.18 cm) minimum.
3. The standpipe height above the floor should be:
Minimum height: 24" (61 cm)
Maximum height: 96" (244 cm)

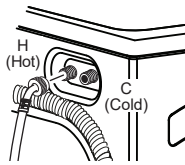


Installation Instructions

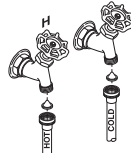
INSTALLING THE WASHER

1. Run some water from the hot and cold faucets to flush the water lines and remove particles that might clog the inlet hose and water valve screens.
2. Remove the inlet hoses from the packaging (whether supplied with the washer or sold separately).

3. (90° elbow end) Ensure there is a rubber washer in the 90° elbow end of the HOT and COLD hoses. Reinstall the rubber washer into the hose fitting if it has fallen out during shipment. Carefully connect the inlet hose marked HOT to the outside "H" outlet of the water valve. Tighten by hand, then tighten another 2/3 turn with pliers. Carefully connect the other inlet hose to the inside "C" outlet of the water valve. Tighten by hand; then tighten another 2/3 turn with pliers. **Do not crossthread or over-tighten these connections.**



4. If inlet hose screen washers are not already inserted into the inlet hoses, install them by inserting into the free ends of the HOT and COLD inlet hoses with protruded side facing the faucet.
5. Connect the inlet hose ends to the HOT and COLD water faucets tightly by hand, then tighten another 2/3 turn with pliers. Turn the water on and check for leaks.



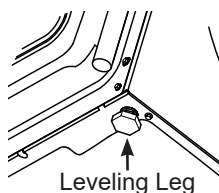
6. Carefully move the washer to its final location. Gently rock the washer into position. It is important not to damage the rubber leveling legs when moving your washer to its final location. Damaged legs can increase washer vibration. It may be helpful to spray window cleaner on the floor to help move your washer into its final position.

NOTE: To reduce vibration, ensure that all four rubber leveling legs are firmly touching the floor. Push and pull on the back right and then back left of your washer.

NOTE: Do not use the dispenser drawer or door to lift the washer.

NOTE: If you are installing into a drain pan, you can use a 24-inch long 2x4 to lever the washer into place.

7. With the washer in its final position, place a level on top of the washer (if the washer is installed under a counter, the washer should not be able to rock). Adjust the front leveling legs up or down to ensure the washer is resting solidly. Turn the lock nuts on each leg up toward the base of the washer and snug with a wrench.



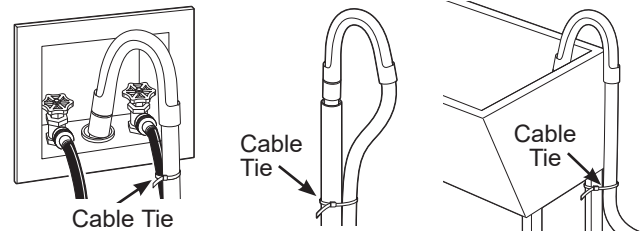
NOTE: Keep the leg extension at a minimum to prevent excessive vibration. The farther out the legs are extended, the more the washer will vibrate.

If the floor is not level or is damaged, you may have to extend the rear leveling legs.



INSTALLING THE WASHER (cont.)

8. Attach U-shaped hose guide to the end of the drain hose. Place the hose in a laundry tub or standpipe and secure it with the cable tie provided in the enclosure package.



NOTE: Placing the drain hose too far down the drain pipe can cause a siphoning action. No more than 7 inches of hose should be in the drain pipe. There must be an air gap around the drain hose. A snug fit can cause a siphoning action.

9. Plug the power cord into a grounded outlet.
NOTE: Check to be sure the power is off at the circuit breaker/fuse box before plugging the power cord into an outlet.
10. Turn on the power at the circuit breaker/fuse box.
11. Read the rest of this Owner's Manual. It contains valuable and helpful information that will save you time and money.

12. Before starting the washer, check to make sure:

- Main power is turned on.
- The washer is plugged in.
- The water faucets are turned on.
- The unit is level and all four leveling legs are firmly on the floor.
- The shipping support hardware is removed and saved.
- The drain hose is properly tied up.
- There are no leaks at the faucet, drain line or washer.

13. Run the washer through a complete cycle. Check for water leaks and proper operation.

14. If your washer does not operate, please review the Before You Call For Service section before calling for service.

15. Place these instructions in a location near the washer for future reference.

REPLACEMENT PARTS

If replacement parts are needed for your washer, they can be ordered in the United States by visiting our Website at GEApplianceparts.com or by calling GE Appliances at 877.959.8688. In Canada, visit GEAppliances.ca/en/products/parts-filters-accessories or call 800.661.1616.

Installation Instructions

REVERSING THE DOOR SWING (OPTIONAL ON SOME MODELS ONLY)

⚠ WARNING

Unplug the appliance or turn off the circuit breaker before servicing. Pressing the **Power** pad **DOES NOT** disconnect power.

⚠ WARNING - Shock Hazard

Certain internal parts are intentionally not grounded and may present a risk of electric shock only during servicing.

Service personnel – DO NOT contact the following parts while the appliance is energized: water valve, drain pump, NTC, heater, door lock, inverter board, motor and MC board.

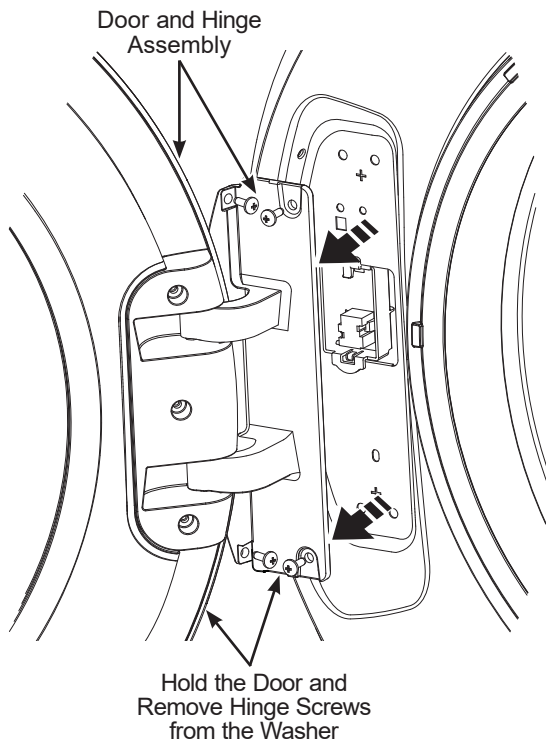
TOOL YOU WILL NEED

- Phillips-head screwdriver



1 REMOVE THE DOOR ASSEMBLY

- Open the washer door.
- While supporting the door, remove the 6 screws from the hinge in the washer face.
- Lift the door assembly to remove it from the washer face and set it on a protective surface.



IMPORTANT NOTES

- Handle parts carefully to avoid scratching paint.
- Provide a non-scratching work surface for the door.
- Set screws down by their related parts to avoid using them in the wrong places.
- Once you begin, do not move the cabinet until door-swing reversal is completed.
- These instructions are for changing the hinges from the left side to the right side—if you ever want to switch them back to the right side, follow these same instructions and reverse all references to the left and right.

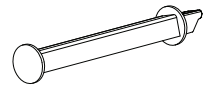
Video



Scan this code to watch a video on this topic.

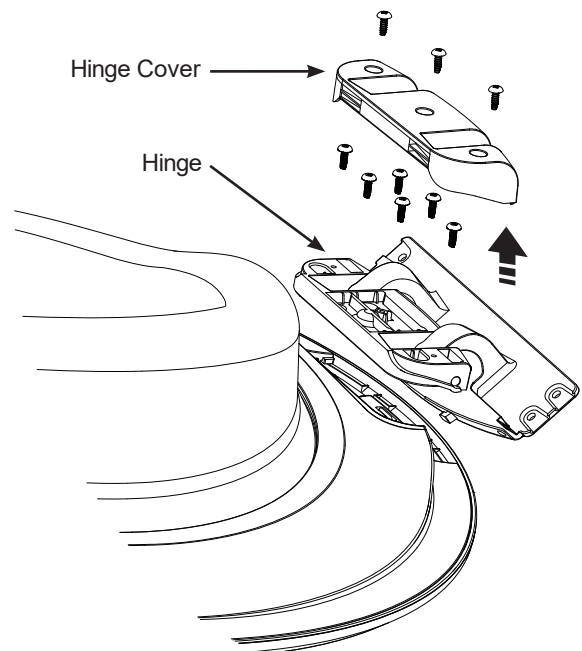
PART SUPPLIED

- Lock Bar



2 REMOVE THE DOOR HINGE COVER AND THE DOOR HINGE

- Remove the 3 screws from the hinge cover and remove the cover.
- Remove the 6 screws from the hinge and remove the hinge from the door.

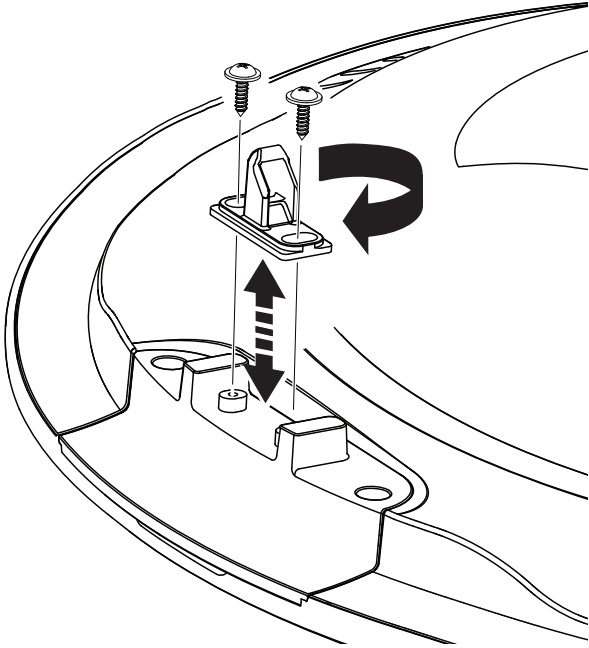


Installation Instructions

REVERSING THE DOOR SWING (OPTIONAL ON SOME MODELS ONLY)

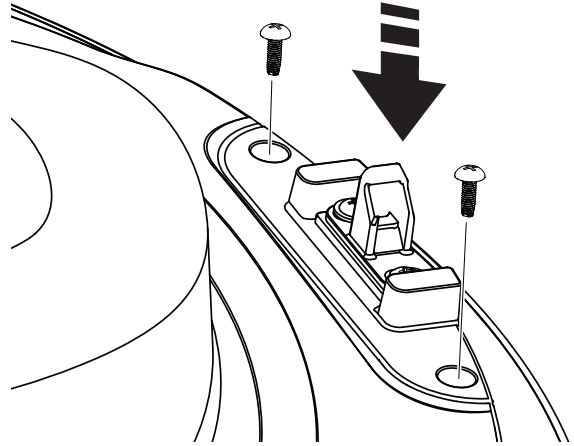
3 REMOVE, REVERSE AND REPLACE THE DOOR STRIKER

- Remove the 2 screws from the striker. Rotate the striker 180° and reinstall the striker with its screws.



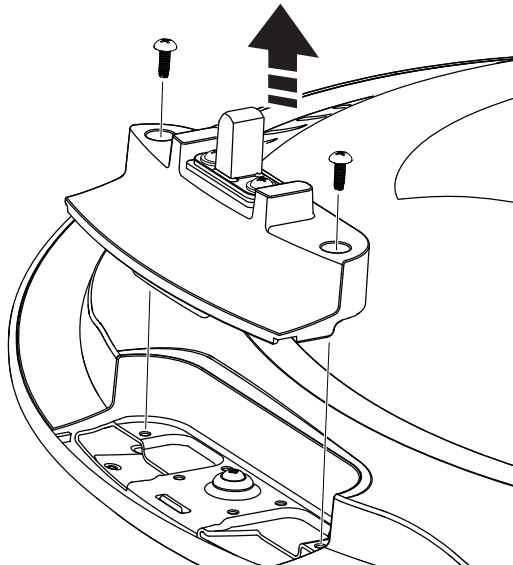
4 REMOVE THE DOOR STRIKER ASSEMBLY AND REPLACE ON THE OPPOSITE SIDE (CONTINUED)

- Rotate the striker assembly and replace it on the opposite side with its screws.



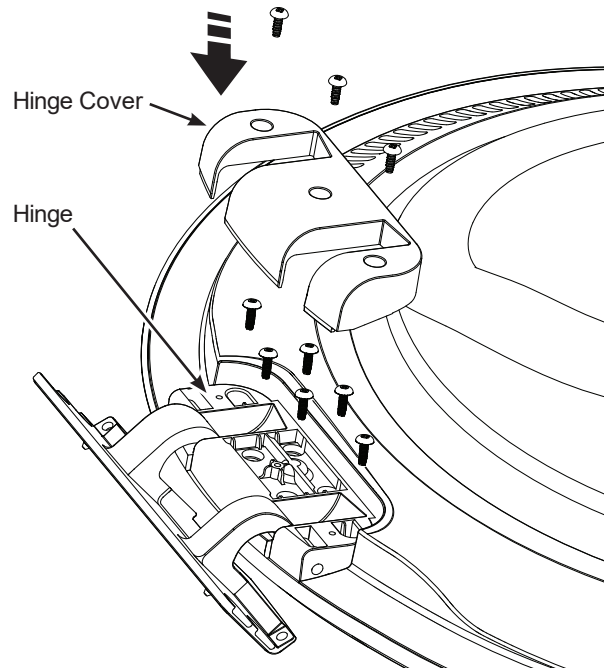
4 REMOVE THE DOOR STRIKER ASSEMBLY AND REPLACE ON THE OPPOSITE SIDE

- Remove the 2 screws from the striker assembly and remove the assembly by pulling it toward the center, pushing it up and pulling it out.



5 REPLACE THE DOOR HINGE AND THE DOOR HINGE COVER ON THE OPPOSITE SIDE

- Rotate the door hinge and replace it on the opposite side with its screws.
- Rotate the door hinge cover and replace it on the opposite side with its screws.

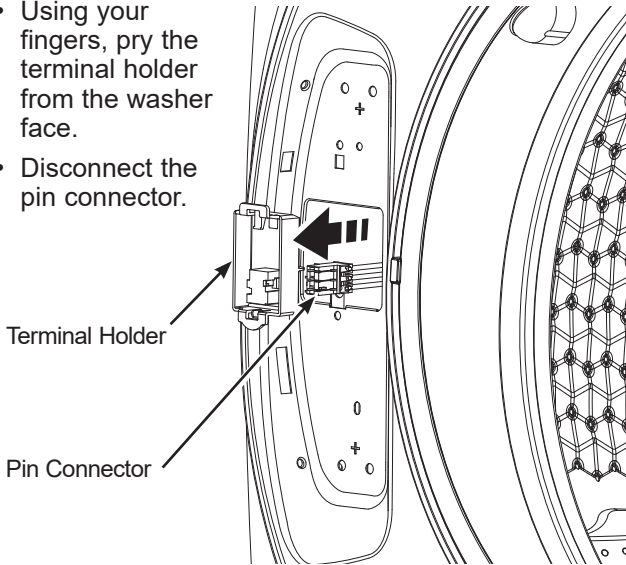


Installation Instructions

REVERSING THE DOOR SWING (OPTIONAL ON SOME MODELS ONLY)

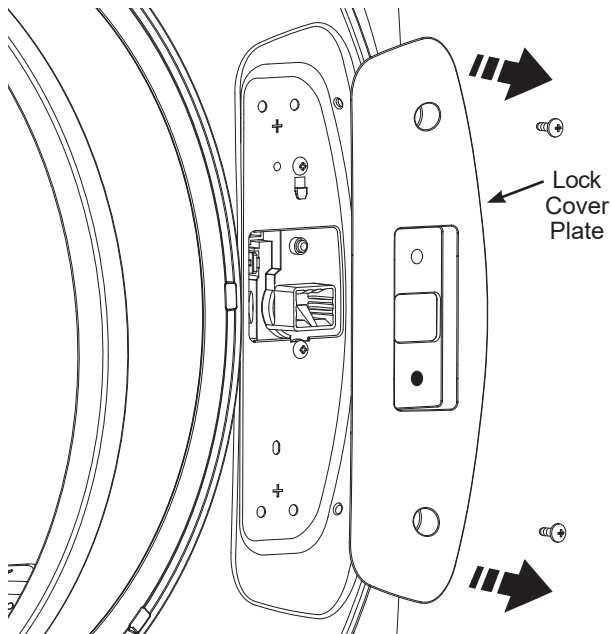
6 REMOVE THE TERMINAL HOLDER AND DISCONNECT THE PIN CONNECTOR FROM WASHER

- Using your fingers, pry the terminal holder from the washer face.
- Disconnect the pin connector.



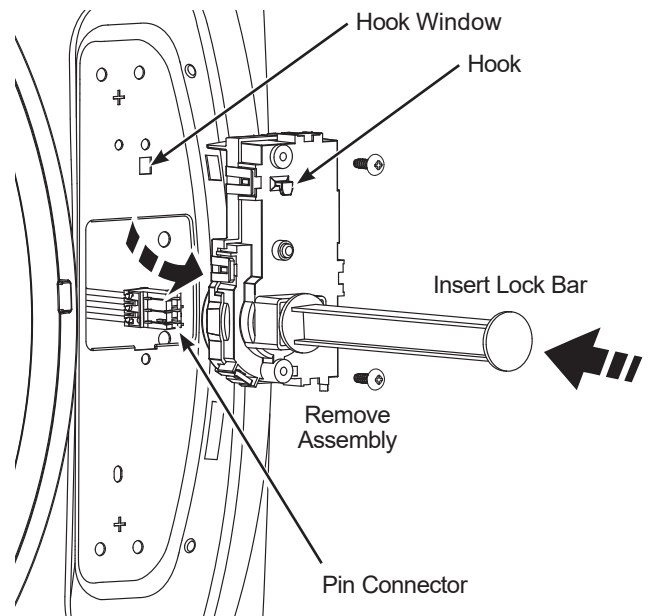
7 REMOVE LOCK ASSEMBLY AND INSTALL ON OPPOSITE SIDE OF WASHER

- Remove the 2 screws from the lock cover plate and remove it from the washer face.

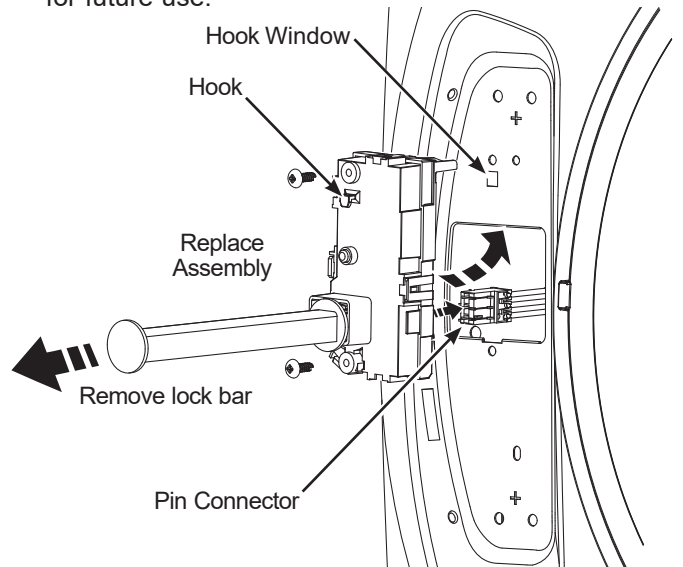


7 REMOVE LOCK ASSEMBLY AND INSTALL ON OPPOSITE SIDE OF WASHER (CONTINUED)

- Insert the provided lock bar into the lock mechanism in the washer face. Remove the lock assembly by removing its two screws, using the lock bar to lift it up to unhook, tilting and pulling it out of the washer face. Disconnect its pin connector by unsnapping its locks.



- Do **NOT** rotate lock assembly. Move it to the opposite side of the washer and connect the pin connector making sure it is fully snap locked together. Tilt and insert the lock assembly into the washer face, lift it up and latch its hook into its window. Replace its screws. Remove the lock bar from the assembly and retain for future use.



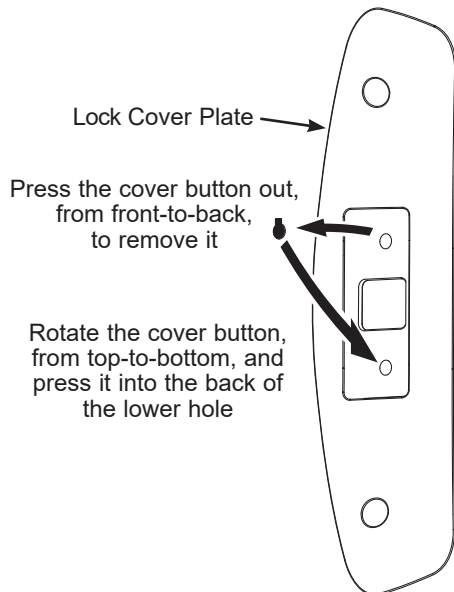
Installation Instructions

REVERSING THE DOOR SWING (OPTIONAL ON SOME MODELS ONLY)

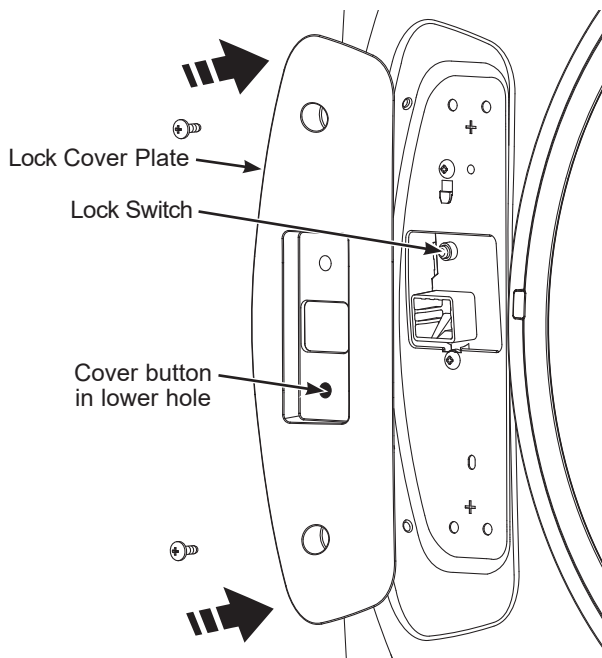
7 REMOVE LOCK ASSEMBLY AND INSTALL ON OPPOSITE SIDE OF WASHER (CONTINUED)

- Remove the lock switch cover button from the back of the lock cover plate and replace it in the opposite hole in the lock cover plate.

NOTE: The cover button must be reinstalled into the lower hole in the lock cover plate as shown.

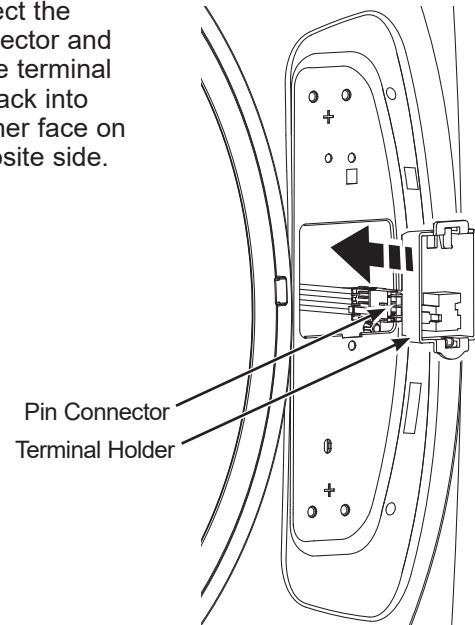


- Install the lock cover plate over the lock assembly, making sure that the lock switch operates freely. Replace its screws.



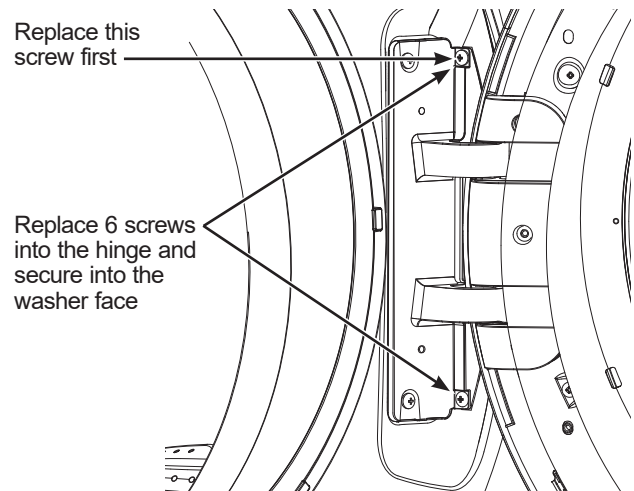
8 RECONNECT PIN CONNECTOR FROM THE WASHER AND REPLACE THE TERMINAL HOLDER

- Reconnect the pin connector and press the terminal holder back into the washer face on the opposite side.



9 REPLACE THE DOOR ASSEMBLY

- Lift the door assembly into place and secure it onto washer face with its 6 screws.



- Close the washer door.
NOTE: Make sure the door opens and closes correctly. If not, repeat all steps making sure all parts and screws are securely seated.
- Connect power cord and turn on the breaker.
- Run the washer through a complete cycle to verify proper operation.

Troubleshooting Tips... Before you call for service

It is highly recommended that you connect your washer to WiFi to download the latest software, receive periodic updates and benefit from many of the extended features available through the SmartHQ App. Many of the AI features for your washer require connection to the SmartHQ App. This may resolve some issues listed below.

Problem	Possible Cause	What To Do
Not draining Not spinning Not tumbling	Load is out of balance	Redistribute clothes and run Rinse & Spin . Increase load size if washing small load containing heavy and light items.
	Pump filter may be clogged	See the Care and Cleaning section on how to clean the Pump Filter .
	Drain hose is kinked or improperly connected	Straighten drain hose and make sure washer is not sitting on it.
	Household drain may be clogged	Check household plumbing. You may need to call a plumber.
	Drain hose siphoning; drain hose pushed too far down the drain	Ensure there is an air gap between hose and drain.
Leaking water	Door gasket is damaged	Check to see if gasket is seated and not torn. Objects left in pockets may cause damage to the washer (nails, screws, pens, pencils) Water may drip from the door when the door is opened. This is a normal operation. Carefully wipe off rubber door seal. Sometimes dirt or clothing is left in this seal and can cause a small leak
	Check back left of washer for water	If this area is wet, you have oversudsing condition. Use less detergent.
	Fill hoses or drain hose is improperly connected	Make sure hose connections are tight at washer and faucets and make sure end of drain hose is correctly inserted in and secured to drain facility.
	Household drain may be clogged	Check household plumbing. You may need to call a plumber.
	Dispenser clogged	Powder soap may cause clogs inside the dispenser and cause water to leak out the front of the dispenser. Remove drawer and clean both drawer and inside of dispenser box. Please refer to Care and Cleaning section.
	Incorrect use of detergent	Use only HE and correct amount of detergent.
	Dispenser box cracked	If new installation, check for crack on inside of dispenser box.
Clothes too wet	Load is out of balance	Redistribute clothes and run Rinse & Spin .
		Increase load size if washing small load containing heavy and light items.
		The machine will slow the spin speed down to 410 rpm if it has a hard time balancing the load. This speed is normal.
	Pump filter may be clogged	See the Care and Cleaning section on how to clean the Pump Filter .
	Overloading	The dry weight of the load should be less than 16 lbs.
	Drain hose is kinked or improperly connected	Straighten drain hose and make sure washer is not sitting on it.
	Household drain may be clogged	Check household plumbing. You may need to call a plumber.
	Drain hose siphoning; drain hose pushed too far down the drain	Ensure there is an air gap between hose and drain.

Troubleshooting Tips... Before you call for service

Problem	Possible Cause	What To Do
Incomplete cycle or timer not advancing	Automatic load redistribution	Timer adds up to 3 minutes to cycle for each rebalance. 11 or 15 rebalances may be done. This is normal operation. Do nothing; the machine will finish the wash cycle.
	Pump filter may be clogged	See the Care and Cleaning section on how to clean the Pump Filter .
	Drain hose is kinked or improperly connected	Straighten drain hose and make sure washer is not sitting on it.
	Household drain may be clogged	Check household plumbing. You may need to call a plumber.
	Drain hose siphoning; drain hose pushed too far down the drain	Ensure there is an air gap between hose and drain.
Loud or unusual noise; vibration or shaking	Cabinet moving	Washer is designed to move 1/4" to reduce forces transmitted to the floor. This movement is normal.
	All rubber leveling legs are not firmly touching the floor	Push and pull on the back right and then back left of your washer to check if it is level. If the washer is uneven, adjust the rubber leveling legs so they are all firmly touching the floor and locked in place.
	Unbalanced load	Pause unit, open door and manually redistribute load. To check machine, run rinse and spin with no load. If normal, unbalance was caused by load.
	Pump filter may be clogged	See the Care and Cleaning section on how to clean the Pump Filter .
No power/washer not working or dead	Washer is unplugged	Make sure cord is plugged securely into a working outlet.
	Water supply is turned off	Turn both hot and cold faucets fully on.
	Circuit breaker/fuse is tripped/blown	Check house circuit breakers/fuses. Replace fuses or reset breaker. Washer should have separate outlet.
	Automatic self system checks	First time the washer is plugged in, automatic checks occur. It may take up to 20 seconds before you can use your washer. This is normal operation.
"H2O SUPPLY" appears in display	Water not entering washer	See the Consumer Help Indicator section for details.
"CAnCELEd" appears in display	Washer paused or stopped	See the Consumer Help Indicator section for details.
"door" appears in display	Door not fully closed or 3 cycles started without opening door in between	See the Consumer Help Indicator section for details.
Snags, holes, tears, rips or excessive wear	Overloaded	Do not exceed maximum recommended load sizes. See recommended maximum load sizes in the Loading section.
	Pens, pencils, nails, screws or other objects left in pockets	Remove loose items from pockets.
	Pins, snaps, hooks, sharp buttons, belt buckles, zippers and sharp objects left in pockets	Fasten snaps, hooks, buttons and zippers.
Control time wrong or changes	This is normal	During spin the washer may need to rebalance the load sometimes to reduce vibrations. When this happens, the estimated time is increased causing time left to increase or jump.

Troubleshooting Tips... Before you call for service

Problem	Possible Cause	What To Do
Not enough water	This is normal	Horizontal washers do not require the tub to fill with water like top-load washers.
Washer pauses or has to be restarted, or washer door is locked and will not open	Pump filter may be clogged	See the Care and Cleaning section on how to clean the Pump Filter .
Door unlocks or press Start and machine doesn't operate	This is normal	Front-load washers start up differently than top-load washers, and it takes several seconds to check the system. The door will lock and unlock.
	Incorrect operation	Simply open and close the door firmly; then press Start .
Water does not enter washer or enters slowly	Automatic self system checks	After Start is pressed, the washer does several system checks. Water will flow several seconds after Start is pressed.
	Water valve screens are stopped up	Turn off the water source and remove the water connection hoses from the upper back of the washer. Use a brush or toothpick to clean the screens in the machine. Reconnect the hoses and turn the water back on.
	Inlet hose screen washers are stopped up	Turn off the water source and remove the inlet hoses from the wall faucets. Use a brush or toothpick to clean the screen washers in the end of the hoses. Reconnect the hoses and turn the water back on.
	Pump filter may be clogged	See the Care and Cleaning section on how to clean the Pump Filter .
	Fill hoses may be kinked	Check that fill hoses are not kinked or clogged.
	Water supply is turned off	Turn on both hot and cold faucets fully.
	Energy efficiency	This is an energy-efficient washer. As a result, the temperature settings for this washer may be different than for a non-energy-efficient washer.
	Insufficient water supply	Make sure that the water supply is turned on. Make sure that the water faucets are turned to their completely open position.
	The washer door is open	The washer door must be closed for all washer cycle operations. If the door is opened during the washer operation, all functions will stop, including water filling.
	Incorrect fill hose connection	Make sure that the fill hoses connect the hot water supply to the hot inlet on the washer and the cold water supply to the cold inlet on the washer (hot to hot, cold to cold).
Wrinkling	Improper sorting	Avoid mixing heavy items (like work clothes) with light items (like blouses).
	Overloading	Load your washer so clothes have enough room to move freely.
	Incorrect wash cycle	Match cycle selection to the type of fabric you are washing (especially for easy care loads).
	Repeated washing in water that is too hot	Wash in warm or cold water.

Troubleshooting Tips... Before you call for service

Problem	Possible Cause	What To Do
Grayed or yellowed clothes	Not enough detergent	Use correct amount of detergent.
	Not using HE (high efficiency) detergent	Use only HE detergent.
	Hard water	Use hottest water safe for fabric.
		Use a water conditioner like Calgon brand or install a water softener.
	Water is not hot enough	Make sure water heater is delivering water at 120°–140°F (48°–60°C).
	Detergent is not dissolving or using too much fabric softener	Try a liquid HE detergent. Use less fabric softener.
Dye transfer	Sort clothes by color. If fabric label states wash separately, unstable dyes may be indicated.	
Colored spots	Incorrect use of fabric softener	Check fabric softener package for instructions and follow directions for using dispenser.
	Dye transfer	Sort whites or lightly colored items from dark colors.
		Promptly remove wash load from washer.
Water temperature is incorrect	Water supply is improperly connected	Make sure hoses are connected to correct faucets.
	House water heater is not set properly	Make sure house water heater is delivering water at 120°–140°F (48°–60°C).
Bad odor inside your Washer	Washer unused for a long time, not using recommended quality of HE detergent or used too much detergent	Regularly use ULTRAFRESH VENT between uses.
		In case of strong odor, you may need to run the Self Clean cycle more than once.
		Use only the amount of detergent recommended or adjust SmartDispense to LOW .
		Use only HE (high efficiency) detergent.
		Always remove wet items from the washer promptly after it stops running or use 1 Step Wash + Dry or Tumble Care .
		If you choose to not use the ULTRAFRESH VENT System, leave the door slightly open for the washer to air dry. Close supervision is necessary if this appliance is used by or near children. Do not allow children to play on or in this appliance.
	There is residual lint, etc. in the drain pump filter which should be cleaned	See the Care and Cleaning section on how to clean the Pump Filter .
Drain hose pushed too far down the drain	See the Installation Instructions section for proper installation.	
Detergent leak	This is normal	It is normal operation to see detergent leak on door gasket about 20 seconds after filling the dispenser.
Improper dispensing of softener or bleach	Dispenser clogged	Monthly clean the dispenser drawer to remove buildup of chemicals.
	Softener or bleach is filled above the max line	Make sure to have the correct amount of softener.
Dispenser drawer not dispensing properly	Laundry detergent packet placed in dispenser drawer	Laundry detergent packets should not be used in the dispenser. They should only be added directly to the wash tub following the manufacturer's directions.
Pump running while washer is not in use	Clog in sump drain	This is normal. Drain sump is detecting an undesired water fill level from a potential open faucet. Shut off water valve and inspect water valve for blockage. Ensure you have the latest updates for your washer available through the SmartHQ App.

GE Appliances Washer Limited Warranty

LIMITED WARRANTY

GEAppliances.com

All warranty service is provided by our Factory Service Centers, or an authorized Customer Care® technician. To schedule service online, visit us at GEAppliances.com/service, or call GE Appliances at 800.GE.CARES (800.432.2737). Please have your serial number and your model number available when calling for service.

Servicing your appliance may require the use of the onboard data port for diagnostics. This gives a GE Appliances factory service technician the ability to quickly diagnose any issues with your appliance and helps GE Appliances improve its products by providing GE Appliances with information on your appliance. If you do not want your appliance data to be sent to GE Appliances, please advise your technician not to submit the data to GE Appliances at the time of service.

For the period of:	We will replace:
One year From the date of the original purchase	Any part of the washer which fails due to a defect in materials or workmanship. During this limited one-year warranty , we will also provide, free of charge , all labor and related service to replace the defective part.
Ten years From the date of the original purchase	The motor , if it should fail due to a defect in materials or workmanship. During this additional nine-year limited warranty , you will be responsible for any labor and related service costs.

What is not covered:

- Service trips to your home to teach you how to use the product.
- Improper installation, delivery or maintenance.
- Failure of the product if it is abused, misused, or used for other than the intended purpose or used commercially.
- Replacement of house fuses or resetting of circuit breakers.
- Products which are not defective or broken, or which are working as described in the Owner's Manual.
- Damage to the product caused by accident, fire, floods or acts of God.
- Incidental or consequential damage caused by possible defects with this appliance.
- Defects or damage due to operation in freezing temperatures.
- Damage caused after delivery.
- Product not accessible to provide required service.

EXCLUSION OF IMPLIED WARRANTIES

Your sole and exclusive remedy is product repair as provided in this Limited Warranty. Any implied warranties, including the implied warranties of merchantability or fitness for a particular purpose, are limited to one year or the shortest period allowed by law.

In the United States:

This limited warranty is extended to the original purchaser and any succeeding owner for products purchased for home use within the USA. If the product is located in an area where service by a GE Appliances Authorized Servicer is not available, you may be responsible for a trip charge or you may be required to bring the product to an Authorized GE Appliances Service location for service. In Alaska, the limited warranty excludes the cost of shipping or service calls to your home.

Some states do not allow the exclusion or limitation of incidental or consequential damages. This limited warranty gives you specific legal rights, and you may also have other rights which vary from state to state. To know what your legal rights are, consult your local or state consumer affairs office or your state's Attorney General.

Warrantor: GE Appliances, a Haier Company, Louisville, KY 40225

In Canada:

This limited warranty is extended to the original purchaser and any succeeding owner for products purchased in Canada for home use within Canada. If the product is located in an area where service by a GE Appliances Authorized Servicer is not available, you may be responsible for a trip charge or you may be required to bring the product to an Authorized GE Appliances Service location.

Some provinces do not allow the exclusion or limitation of incidental or consequential damages. This limited warranty gives you specific legal rights, and you may also have other rights which vary from province to province. To know what your legal rights are, consult your local or provincial consumer affairs office.

Warrantor: MC Commercial Inc., Burlington, ON, L7R 5B6

Extended Warranties: Purchase a GE Appliances extended warranty and learn about special discounts that are available while your warranty is still in effect. You can purchase it online anytime at

GEAppliances.com/extended-warranty

or call 800.626.2224 during normal business hours. GE Appliances Service will still be there after your warranty expires.

Staple your receipt here. Proof of the original purchase date is needed to obtain service under the warranty.

Consumer Support

GE Appliances Website

Have a question or need assistance with your appliance? Try the GE Appliances Website 24 hours a day, any day of the year! You can also shop for more great GE Appliances products and take advantage of all our on-line support services designed for your convenience. In the US: GEAppliances.com.

In Canada: GEAppliances.ca.

Register Your Appliance

Register your new appliance on-line at your convenience! Timely product registration will allow for enhanced communication and prompt service under the terms of your warranty, should the need arise. You may also mail in the pre-printed registration card included in the packing material. In the US: GEAppliances.com/register.

In Canada: Prodsupport.mabe.ca/crm/Products/ProductRegistration.aspx.

Schedule Service

Expert GE Appliances repair service is only one step away from your door. Get on-line and schedule your service at your convenience any day of the year. In the US: GEAppliances.com/service or call 800.432.2737 during normal business hours.

In Canada: GEAppliances.ca/en/support/service-request or call 800.561.3344.

Extended Warranties

Purchase a GE Appliances extended warranty and learn about special discounts that are available while your warranty is still in effect. You can purchase it on-line anytime. GE Appliances Services will still be there after your warranty expires. In the US: GEAppliances.com/extended-warranty or call 800.626.2224 during normal business hours.

In Canada: GEAppliances.ca/en/support/purchase-extended-warranty or call 866.277.9842.

Remote Connectivity

For assistance with wireless network connectivity (for models with remote enable), in the US visit our website at GEAppliances.com/connect or call 800.220.6899.

In Canada: GEAppliances.ca/connect or call 800.220.6899.

Parts and Accessories

Individuals qualified to service their own appliances can have parts or accessories sent directly to their homes (VISA, MasterCard and Discover cards are accepted). Order on-line today 24 hours every day.

In the US: GEApplianceparts.com or by phone at 877.959.8688 during normal business hours.

In Canada: GEAppliances.ca/en/products/parts-filters-accessories or call 800.661.1616.

Instructions contained in this manual cover procedures to be performed by any user. Other servicing generally should be referred to qualified service personnel. Caution must be exercised, since improper servicing may cause unsafe operation.

Contact Us

If you are not satisfied with the service you receive from GE Appliances, contact us on our Website with all the details including your phone number, or write to:

In the US: General Manager, Customer Relations | GE Appliances, Appliance Park | Louisville, KY 40225
GEAppliances.com/contact or call 800.626.2000

In Canada: Director, Consumer Relations, MC COMMERCIAL INC. | Suite 310, 1 Factory Lane | Moncton, N.B. E1C 9M3
GEAppliances.ca/en/contact-us or call 877.994.5366



LAVEUSES

CONSIGNES DE SÉCURITÉ3

UTILISATION DE LA LAVEUSE
 Comment démarrer 5
 Indicateur d'aide au consommateur14
 Chargement.....15

ENTRETIEN ET NETTOYAGE..... 16

INSTRUCTIONS D'INSTALLATION18
 Inversion de l'ouverture de la porte (en option sur certains modèles uniquement)..... 23

CONSEILS DE DÉPANNAGE27

GARANTIE LIMITÉE 31

SOUTIEN AU CONSOMMATEUR 32

GUIDE DE L'UTILISATEUR ET INSTRUCTION D'INSTALLATION

PFW950
 GFW850
 GFW650
 GFW550
 GFW510

FRANÇAIS

Inscrivez vos numéro de modèle et de série et votre identifiant MAC pour les modèles Wi-Fi ici :

Modèle # _____

Modèle # _____

MAC ID _____

Vous les trouverez sur une étiquette placée à l'intérieur de la porte.

NOUS VOUS REMERCIONS D'ACCUEILLIR GE APPLIANCES CHEZ VOUS

Que vous ayez grandi avec GE Appliances ou qu'il s'agisse de votre première acquisition, nous sommes heureux de vous accueillir dans notre famille.

Nous sommes fiers du savoir-faire, de l'innovation et de l'esthétique qui composent chaque appareil GE Appliances, et nous pensons que vous le serez aussi. Dans cette optique, nous vous rappelons que l'enregistrement de votre électroménager vous assure la communication de renseignements importants sur le produit et la garantie lorsque vous en avez besoin.

Enregistrez votre électroménager GE en ligne dès maintenant. Des sites Web et des numéros de téléphone utiles figurent dans la section Soutien au consommateur de ce manuel d'utilisation. Vous pouvez aussi poster la fiche de garantie préimprimée incluse dans l'emballage.



CONSIGNES DE SÉCURITÉ IMPORTANTES

LIRE TOUTES LES CONSIGNES AVANT D'UTILISER L'APPAREIL

⚠ AVERTISSEMENT

Pour réduire les risques de décès, d'incendie, d'explosion, de choc électrique ou de blessures lorsque vous utilisez votre appareil, suivez les mesures de sécurité de base, notamment :

- Lisez toutes les instructions avant d'utiliser l'appareil.
- Suivez toutes les instructions et avertissements de soin des tissus pour éviter que les vêtements fondent ou des dommages à l'appareil.
- **NE** nettoyez et **NE** séchez **PAS** d'articles qui ont été nettoyés, lavés, trempés ou tachés avec de l'essence, du solvant pour nettoyage à sec ou d'autres produits combustibles ou substances explosives, car ces derniers peuvent dégager des vapeurs qui pourraient s'enflammer ou exploser.
- **N'ajoutez PAS** de l'essence, du solvant pour nettoyage à sec ou d'autres produits combustibles ou substances explosives à l'eau de lavage. Ces substances peuvent dégager des vapeurs qui pourraient s'enflammer ou provoquer une explosion.
- Dans certaines conditions, de l'hydrogène peut se former dans un circuit d'eau chaude qui n'a pas été utilisé pendant deux semaines ou plus. L'HYDROGÈNE EST UN GAZ EXPLOSIF. Si le circuit d'eau chaude n'a pas été utilisé pendant une telle période, ouvrez tous les robinets d'eau chaude et laissez l'eau couler pendant plusieurs minutes avant d'utiliser votre laveuse. Ainsi, l'hydrogène accumulé sera évacué du système. Ce gaz étant inflammable, **NE** fumez **PAS** et n'utilisez pas de flamme nue pendant cette opération.
- **NE** laissez **PAS** les enfants jouer sur ou à l'intérieur de cet appareil. La présence d'enfants près de cet appareil lorsqu'il est en marche doit faire l'objet d'une étroite supervision. Avant de mettre la laveuse au rebut ou hors service, retirez la porte ou le couvercle. Le non-respect de ces instructions peut entraîner le décès ou des blessures.
- **NE** mettez **PAS** la main dans l'appareil lorsque le tambour ou l'agitateur est en mouvement pour éviter d'être happé accidentellement.
- **N'installez** ou n'entrez **PAS** cet appareil dans un endroit où il sera exposé aux intempéries.
- **NE** modifiez **PAS** les commandes, ne réparez ou ne remplacez pas de pièce de cet appareil et ne tentez pas d'effectuer une réparation, sauf si cette procédure est recommandée expressément dans les instructions d'entretien de l'utilisateur ou dans les instructions de réparation de l'utilisateur et que vous possédez les connaissances et les aptitudes requises pour le faire.
- **ABSTENEZ-VOUS** de grimper ou de vous tenir sur l'appareil.
- **N'utilisez PAS** cet appareil s'il est endommagé, s'il fonctionne mal, s'il est partiellement démonté ou si certaines de ses pièces manquent ou sont cassées (y compris le cordon d'alimentation ou la fiche).
- Débranchez l'appareil ou fermez son disjoncteur avant de procéder à l'entretien. Appuyer sur le bouton d'alimentation **Power** de l'appareil **NE** le déconnecte **PAS** de l'alimentation.
- Consultez la section sur le « EXIGENCES ÉLECTRIQUES » des instructions d'installation pour obtenir les procédures de mise à la terre.

Mise au rebut adéquate de votre électroménager

- Veuillez jeter ou recycler votre électroménager conformément aux règlements fédéraux ou locaux. Communiquez avec les instances locales pour en savoir plus sur la mise au rebut ou le recyclage de votre électroménager.

LIRE ET CONSERVEZ CES DIRECTIVES

CONSIGNES DE SÉCURITÉ IMPORTANTES

LIRE TOUTES LES CONSIGNES AVANT D'UTILISER L'APPAREIL

INSTALLATION APPROPRIÉE

Cette laveuse doit être installée conformément aux instructions d'installation avant d'être utilisée.

- Assurez-vous que le boyau d'eau chaude est raccordé au robinet « H » et que le boyau d'eau froide est raccordé au robinet « C ».
- Installez ou entreposez l'appareil à un endroit où il ne sera exposé ni à des températures en dessous du point de congélation ni aux intempéries; l'appareil pourrait subir des dommages permanents et la garantie serait annulée.
- Mettez la laveuse à la terre conformément aux codes et règlements en vigueur. Suivez les instructions détaillées de la section « Instructions d'installation ».
- Veillez à ce que la laveuse soit bien de niveau et que les pieds soient correctement réglés pour que cet appareil soit stable.
- Une rallonge de tuyau d'évacuation optionnelle est recommandée pour les hauteurs d'évacuation allant de 60 à 96 po (152,4 à 243,8 cm).
- GE Appliances recommande fortement d'utiliser les pièces spécifiées du fabricant. Une liste de boyaux manufacturés disponibles pour l'achat est indiquée. Ces boyaux ont été fabriqués et testés afin de répondre aux spécifications de GE Appliances.
- GE Appliances recommande fortement d'utiliser de nouveaux boyaux d'alimentation en eau. Les boyaux se dégradent avec le temps et doivent être remplacés tous les cinq ans afin de réduire le risque de bris de boyau et de dégâts d'eau.
- Considérez les options de recyclage des matériaux d'emballage de votre électroménager.

SÉQUENCE DE VIDANGE AUTOMATIQUE

- L'appareil se vidangera automatiquement à chaque fois que la porte est laissé ouvert pour plus de 15 minutes et que de l'eau est présente.
- L'appareil se vidangera automatiquement s'il est laissé en état de pause avec porte fermé pour plus de 24 heures et que de l'eau est présente.

LORSQUE L'APPAREIL N'EST PAS UTILISÉ

- Fermez les robinets d'eau pour réduire les fuites en cas de tuyau cassé. Vérifiez l'état des tuyaux de remplissage. GE Appliances recommande de les remplacer tous les 5 ans.

PIÈCES ET ACCESSOIRES

Consultez votre annuaire local pour un détaillant de pièces autorisé ou appelez-nous au 800.661.1616 ou Electromenagersge.ca/fr/produits/filtres-et-accessoires.

No. de pièce	Accessoire
WX14X10011	Flexibles de rondelle en acier inoxydable de 6 pieds avec coudes à 90°; Paquet de 2
WH49X316	Kit d'extension de tuyau de vidange de laveuse - Environ 44 po
WX10X10011	Nettoyant pour laveuse Tide®*
PM7X2	Plateau de plancher universel pour laveuse à profil bas
GFA28KITN	Trousse de support d'empilement (pour empiler la sècheuse sur le dessus)
GFP1528S	Piédestal de 28 po de largeur avec tiroir - Blanc
GFP1528P	Piédestal de 28 po de largeur avec tiroir - Couleurs
GFR0728S	Élévateur de 28 po largeur sans tiroir - Blanc
GFR0728P	Élévateur de 28 po largeur sans tiroir - Couleurs

*Tide® est une marque déposée de Procter & Gamble.

LIRE ET CONSERVEZ CES DIRECTIVES

Comment démarrer

⚠ AVERTISSEMENT Pour réduire le risque d'incendie, de choc électrique ou de blessure, lisez les **CONSIGNES DE SÉCURITÉ IMPORTANTES** avant de faire fonctionner cet appareil.

Les caractéristiques et l'apparence de la cuisinière montrée dans ce manuel peuvent varier selon le modèle.

Démarrage rapide :

Étape 1

Chargez les vêtements dans votre laveuse et fermez la porte.



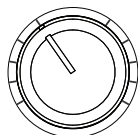
Étape 2

Si l'écran est obscur, appuyez sur le bouton Power (alimentation) ou tournez le bouton pour activer l'afficheur.



Étape 3

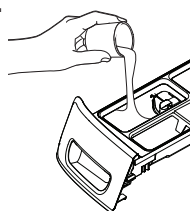
Tournez le bouton sur le cycle désiré.



(Les options de cycle varient selon le modèle)

Étape 4

Ouvrez le distributeur et ajoutez le détergent, le javellisant et le produit assouplissant, au besoin. Avec les modèles avec SmartDispense™, vous devez presser la touche SmartDispense seulement après que le réservoir a été rempli.



Étape 5

Appuyez sur Start (Démarrer) pour commencer le cycle de lavage. L'appareil va peser vos vêtements et ajouter la quantité d'eau appropriée. La porte se déverrouille une fois le cycle de lavage terminé.



Étape 6 (sur certains modèles)

Une fois le cycle de lavage terminé et les vêtements retirés, sélectionnez **ULTRAFRESH VENT™** pour éliminer l'humidité excédentaire dans votre laveuse de façon que vous puissiez fermer la porte.



Affichage et voyants d'état

(Las características y apariencia variarán)



Sur certains modèles, l'écran affiche le temps approximatif restant avant la fin du programme l'état du cycle.

REMARQUE : La durée du cycle varie selon la durée du remplissage de la laveuse. La vitesse de remplissage dépend à son tour de la pression d'eau à votre domicile. La minuterie « intelligente » tient compte du temps de remplissage et ajuste la durée totale du cycle en conséquence.

Sur certains modèles, si une condition de déséquilibre est détectée par la laveuse, le voyant **Spin** d'état de l'essorage ou le voyant **Spin** de sélection de l'option d'essorage clignotera pendant le restant du cycle et restera allumé pendant une courte période de temps une fois le cycle terminé. Lorsque cela se produit, la laveuse prend des mesures pour corriger la condition de déséquilibre et terminer le cycle normalement. Dans certains cas, il est possible que la laveuse ne puisse pas être en mesure d'équilibrer la charge et essorer à pleine vitesse. Si vous remarquez que la charge est plus humide que normalement à la fin du cycle, répartissez la charge uniformément dans le panier de lavage et commencez un cycle **Rinse & Spin** (Rinçage & Essorage).

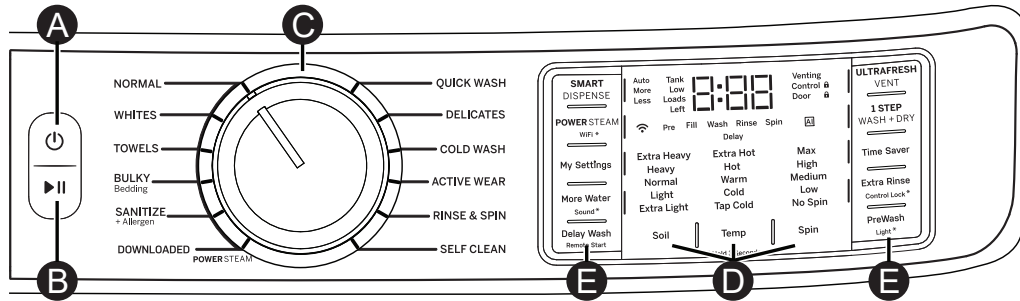
De plus, cet écran affiche :

(WiFi) (sur certains modèles)	Ce module permettra à votre électroménager de communiquer avec votre téléphone intelligent pour la surveillance, la commande et la réception d'avis à distance. Son voyant reste allumé chaque fois que la laveuse est sous tension (ON) et connectée. Il clignote durant la mise en service ou s'il perd la connexion au réseau.
Venting (sur certains modèles)	Le mot « Venting » (Ventilation) clignote pour indiquer que vous avez choisi la fonction ULTRAFRESH VENT à la fin du cycle. Une fois sélectionné, il reste allumé jusqu'à la fin de la ventilation.
Control	Les commandes sur la laveuse sont verrouillées lorsque cette icône est allumée. Vous devez maintenir une pression sur la touche Control Lock (Verrouillage des commandes) pour déverrouiller les commandes.
Door	Cette icône s'allume quand la porte est verrouillée et clignote quand la laveuse est à l'étape de pause suivie du déverrouillage.
(sur certains modèles)	Cette icône s'allumera lorsque les caractéristiques Smart AI de votre laveuse sont activées.
Auto, More, Less (sur certains modèles)	La fonction SmartDispense dose automatiquement le détergent en fonction du poids et du degré de saleté des vêtements. Vous pouvez régler cette fonction pour doser PLUS ou MOINS de détergent, ou désactivez-la (OFF) pour doser le détergent manuellement.
Tank Low (sur certains modèles)	S'affichera lorsqu'il faudra remplir le réservoir de distribution intelligente. Généralement, ces mots s'affichent la première fois lorsqu'il reste du détergent pour environ 8 à 10 brassées.
Loads Left (sur certains modèles)	Affiche le nombre estimatif de brassées de lavage qui restent pour la quantité de détergent dans le réservoir de distribution intelligente.
Delay (sur certains modèles)	Lorsque vous sélectionnez un démarrage différé de votre laveuse, votre choix sera indiqué par l'un des voyants près du contrôle ou par le mot « Delay » (délai) au centre de l'afficheur d'options. Cet afficheur indiquera aussi le compte à rebours des heures avant le démarrage du cycle.

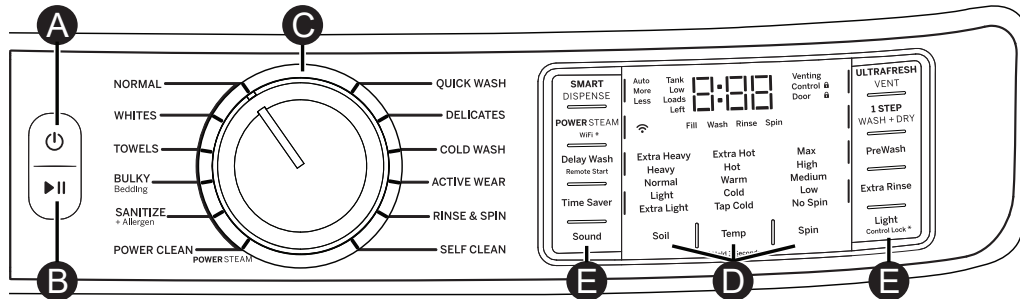
Comment démarrer

Les caractéristiques et l'apparence varieront.

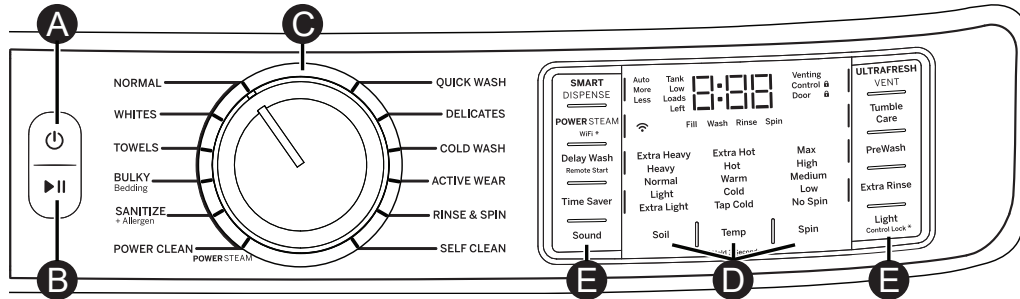
Modèle :
PFW950



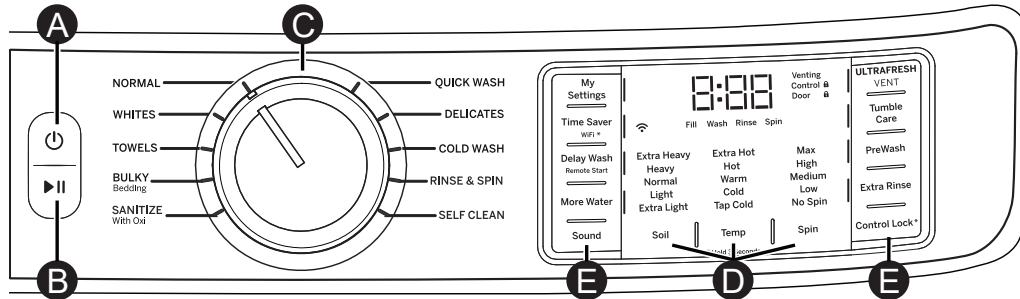
Modèle :
GFW850



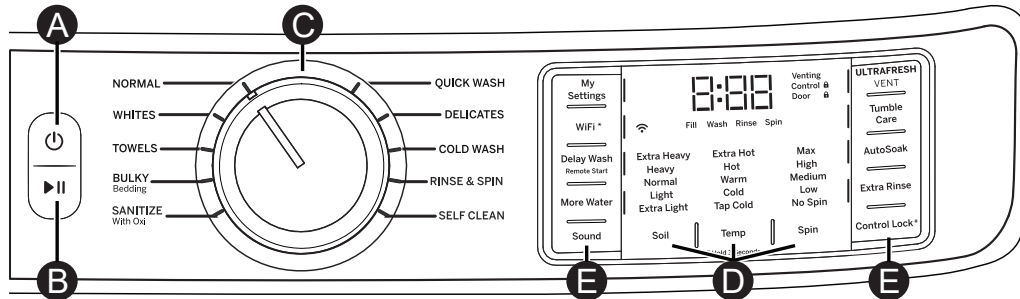
Model:
GFW650



Modèle :
GFW550



Modèle :
GFW510



Comment démarrer

A Power (alimentation)

Appuyez pour activer l'affichage. Si l'affichage est actif, appuyez pour mettre la laveuse en mode d'attente « Off ».

NOTE : Vous ne débranchez pas votre appareil de l'alimentation électrique en appuyant sur **Power (alimentation)**.

B Start/Pause (Départ/Pause)

Appuyez pour mettre en marche un cycle de lavage. Si la laveuse fonctionne, vous l'arrêtez en appuyant une fois et déverrouillez la porte. Après avoir appuyé sur **Pause (Pause)**, il s'écoulera quelques secondes avant que la porte ne s'ouvre. Appuyez à nouveau pour remettre en marche le cycle de lavage.

NOTE : En arrêtant la laveuse et en ne remettant pas en marche le cycle dans les 15 minutes qui suivent, vous annulez le cycle de lavage actuel.

NOTE : La laveuse procède à des vérifications automatiques du système une fois que vous avez appuyé sur le bouton **Start (Départ)**. L'eau se mettra à couler dans un délai de 45 secondes ou moins. Vous entendrez peut-être la porte se verrouiller et se déverrouiller et la pompe active avant que l'eau ne coule.

C Cycles de lavage

Les cycles sont optimisés pour des catégories particulières de charges de lavage. Le tableau ci-dessous vous aidera à appairer les articles à laver avec les meilleurs réglages des cycles de lavage. Pour un rendement optimal, sélectionnez le cycle qui s'approche le plus des articles à laver. Les sélections et les options en **gras** sont les réglages du cycle suggérés. **Delay Wash/Remote Start** est disponible pour tous les cycles.

Cycle de lavage	Articles à laver	Degré de saleté	Temp de lavage	Sélection d'essorage	Options disponibles
Normal	Cycle pour un lavage normal, régulier, typique d'une pleine brassée de vêtements de coton normalement sales	Extrêm. sale Très sale Normal Légèr. Très légèr.	Très chaud Chaud Tiède Froid Froid robinet	Max Haut Moyen	Prélavage* ou trempage auto* Vapeur puissante* Économiseur de temps* Rinçage suppl. Culbutage antifroissage* ou 1 Step Wash + Dry*
Whites (Blancs)	Vêtements blancs et linge de maison.	Extrêm. sale Très sale Normal Légèr. Très légèr.	Très chaud Chaud Tiède Froid Froid robinet	Max Haut Moyen Bas	Prélavage* ou trempage auto* Vapeur puissante* Économiseur de temps* Plus d'eau* Rinçage suppl. Culbutage antifroissage* ou 1 Step Wash + Dry*
Towels (Serviettes)	Serviettes, draps, taies d'oreiller et lavettes.	Extrêm. sale Très sale Normal Légèr. Très légèr.	Chaud Tiède Froid Froid robinet	Max Haut Moyen Bas	Prélavage* ou trempage auto* Vapeur puissante* Économiseur de temps* Plus d'eau* Rinçage suppl. Culbutage antifroissage* ou 1 Step Wash + Dry*
Bulky Bedding (Lingerie volumineuse)	Grands manteaux, couvre-lits, couvre-matelas, sacs de couchage et articles volumineux similaires.	Extrêm. sale Très sale Normal Légèr. Très légèr.	Chaud Tiède Froid Froid robinet	Max Haut Moyen Bas	Prélavage* ou trempage auto* Vapeur puissante* Économiseur de temps* Plus d'eau* Rinçage suppl. Culbutage antifroissage* ou 1 Step Wash + Dry*
Sanitize+ Allergen* (Désinfection + allergènes)	Articles grand teint très sales qui nécessitent une désinfection.	Extrêm. sale Très sale	Très chaud	Max Haut Moyen Bas	Prélavage Vapeur puissante* Rinçage suppl. Culbutage antifroissage* ou 1 Step Wash + Dry*
Sanitize With Oxi* (Désinfection Oxi)	Articles grand teint très sales qui nécessitent une désinfection.	Extrêm. sale Très sale	Très chaud	Max Haut Moyen Bas	Prélavage* ou trempage auto* Rinçage suppl. Culbutage antifroissage

*Certains cycles et options ne sont pas offerts sur tous les modèles.

Comment démarrer

🌀 Cycles de lavage - Suite

Les cycles sont optimisés pour des catégories particulières de charges de lavage. Le tableau ci-dessous vous aidera à appairer les articles à laver avec les meilleurs réglages des cycles de lavage. Pour un rendement optimal, sélectionnez le cycle qui s'approche le plus des articles à laver. Les sélections et les options en **gras** sont les réglages du cycle suggérés. **Delay Wash/Remote Start** est disponible pour tous les cycles.

Cycle de lavage	Articles à laver	Degré de saleté	Temp de lavage	Sélection d'essorage	Options disponibles
Power Clean* (Nettoyage puissant)	Pour articles très sales qui exigent une puissance de nettoyage additionnelle.	Extrêm. sale Très sale Normal	Chaud Tiède Froid Froid robinet	Max Haut Moyen Bas	Prélavage Vapeur puissante Rinçage suppl. Culbutage antirouille* ou 1 Step Wash + Dry*
Heavy Duty* (À toute épreuve)	Pour laver des articles très sales ou de grand-teint en utilisant les longs cycles de lavage et de rinçage pour obtenir un nettoyage en profondeur.	Extrêm. sale Très sale Normal Légèr.	Chaud Tiède Froid Froid robinet	Max Moyen Bas	Trempage auto Plus d'eau* Délai de lavage Rinçage suppl. Culbutage antirouille
Quick Wash (Lavage rapide)	Pour les petites brassées d'articles légèrement sales dont on a besoin rapidement.	Normal Légèr. Très légèr.	Chaud Tiède Froid Froid robinet	Max Haut Moyen Bas	Plus d'eau* Rinçage suppl. Culbutage antirouille* ou 1 Step Wash + Dry*
Delicates (Déli-cats)	Pour la lingerie et les tissus délicats avec degré de saleté léger à normal.	Normal Légèr. Très légèr.	Tiède Froid Froid robinet	Moyen Bas Pas d'essorage	Prélavage* ou trempage auto* Économiseur de temps* Plus d'eau* Rinçage suppl. Culbutage antirouille* ou 1 Step Wash + Dry*
Lavage à froid	Cycle pour un lavage normal, régulier, typique d'une pleine brassée de vêtements de coton normalement sales sales en utilisant uniquement de l'eau froide.	Extrêm. sale Très sale Normal Légèr. Très légèr.	Froid Froid robinet	Max Haut Moyen Bas	Prélavage* ou trempage auto* Plus d'eau* Rinçage suppl. Culbutage antirouille* ou 1 Step Wash + Dry*
Active Wear* (Tenue active)	Tenue athlétique légèrement à moyennement sale fabriquée de tissus techniques ou synthétiques.	Extrêm. sale Très sale Normal Légèr. Très légèr.	Tiède Froid Froid robinet	Moyen Bas Pas d'essorage	Prélavage Économiseur de temps* Rinçage suppl. Culbutage antirouille* ou 1 Step Wash + Dry*
Rinse & Spin (Rinçage et essorage)	Utilisez ce cycle pour les articles qui nécessitent seulement un rinçage. Pour effectuer un cycle de vidange et d'essorage, annuler l'option de rinçage additionnel.			Max Haut Moyen Bas Pas d'essorage	Plus d'eau* Rinçage suppl. Culbutage antirouille* ou 1 Step Wash + Dry*
Downloaded (Autonettoyage)	Utilisez l'application SmartHQ pour téléverser un cycle spécialisé pour votre laveuse, comme pour les jeans et les surcombinaisons de natation. Nettoyage du panier pour éliminer les résidus et les odeurs. Aucun vêtement à laver avec ce cycle.			Moyen	

*Certains cycles et options ne sont pas offerts sur tous les modèles.

REMARQUES :

Les températures d'eau du cycle **SANITIZE + Allergen** (Désinfecter + Allergène) NE SONT PAS modifiables. Ce cycle utilise une température élevée et un cycle de lavage plus long pour éliminer les acariens des poussières et réduit 99 % des bactéries communes des tissus. Une purge de la pompe et un rinçage prolongé sont intégrés dans le but de retirer les contaminants et les allergènes tels que les squames d'animaux.

Les températures d'eau du cycle **SANITIZE With Oxi** (Désinfecter avec Oxi) NE SONT PAS modifiables. Ce cycle, utilisé avec un additif Oxi et du détergent, est conçu pour éliminer 99 % des bactéries présentes dans la blanchisserie domestique. Mesurez le détergent et les produits Oxi avec soin. Tout en utilisant les quantités appropriées pour une grande brassée très sale chargée dans une laveuse à chargement frontal, suivez les instructions des étiquettes du détergent et du produit Oxi. L'alimentation d'eau chaude de la laveuse doit atteindre un minimum de 120 °F pour assurer l'efficacité de ce cycle.

Seuls les cycles **SANITIZE + Allergen** et **SANITIZE With Oxi** ont été conçus pour répondre aux exigences relatives à l'efficacité de la désinfection.

Comment démarrer

D Settings (Réglages)

On peut choisir des réglages précis allant du minimum au maximum pour le degré de saleté (**Level**), la température de l'eau (**Temp**) et la vitesse d'essorage (**Spin**). En général, la consommation d'énergie augmentera avec la hauteur dans la colonne.

Soil (Saleté)

En changeant le **Soil level** (niveau de saleté), vous augmentez ou diminuez la durée de lavage pour enlever divers montants de saleté.

Pour changer le **Soil level** (niveau de saleté), appuyez sur le bouton **Soil level** (niveau de saleté) jusqu'au réglage désiré. Vous pouvez choisir entre Extra Light (très peu sale), Light (peu sale), Normal (normal) ou Heavy Soil (vraiment sale) sur la plupart des cycles.

Temp (Température)

Ajustez pour choisir la bonne température de l'eau pour le cycle de lavage. L'eau de **AutoSoak** (Remojo Automático) et **PreWash** (Pré-lavage) de rinçage est toujours froide pour réduire l'utilisation d'énergie et diminuer la fixation des taches et les froissements.

Suivez l'étiquette du fabricant pour choisir la température de lavage.

Pour changer la température de lavage, appuyez sur le bouton **Temp** (Température) jusqu'au réglage désiré. Vous pouvez choisir entre Tap Cold (Froide du robinet), Cold (Froide), Warm (Tiède), Hot (Chaude) ou Extra Hot (Très chaude) sur la plupart des cycles. Pour protéger les tissus, certains cycles ne donnent pas accès à toutes les températures de lavage. Les températures très chaudes sont possibles grâce à un élément chauffant interne sur les modèles équipés de la fonction Steam (Vapeur).

NOTE : Pendant les dix premières secondes du remplissage, l'eau est toujours froide. Cela aide à conditionner les tissus et empêche la fixation des taches sur les vêtements.

Spin (Essorage)

En changeant la **Spin** (Vitesse d'essorage), vous changez la vitesse de l'essorage final des cycles. Suivez toujours les instructions de l'étiquette du vêtement pour changer la **Spin** (Vitesse d'essorage).

Pour changer la **Spin** (Vitesse d'essorage), appuyez sur le bouton **Spin** (Vitesse d'essorage) jusqu'au réglage désiré. Vous pouvez choisir entre No Spin (Pas d'essorage), Low (Lent), Medium (Modéré), High (Rapide) ou Max. Les vitesses d'essorage les plus rapides ne sont pas offertes pour certains cycles, comme le cycle **Delicates** (Déliçats) ou **Active Wear** (Tenue active). Les vitesses d'essorage plus rapides enlèvent plus d'eau des vêtements, et aident à réduire le temps de séchage, mais augmentent également la possibilité de froisser certains tissus.

REMARQUE : Cette laveuse est équipée d'un système **dBt™ Dynamic Balancing Technology** (dBt™ Technologie d'équilibrage dynamique). Cette technologie de détection embarquée et brevetée procure un équilibrage en temps réel du cycle d'essorage pour chaque brassée, d'où une économie de temps et un lavage silencieux. Il devrait en résulter des durées de lavage plus constantes et une réduction générale du bruit et des vibrations. Si la laveuse devait générer des bruits, des vibrations ou des secousses excessives, il suffit de mettre la laveuse sur Pause, d'ouvrir la porte et de redistribuer la brassée manuellement avant de redémarrer le cycle.

E Options

SMARTDISPENSE (Distribution intelligente) (sur certains modèles)

Cette fonction ajoute automatiquement du détergent au lavage, éliminant le besoin de l'ajouter pour chaque brassée. Voir la section **SmartDispense** pour plus de détails.

My Settings (Favori) (sur certains modèles)

Pour sauvegarder vos réglages préférés pour un cycle donné, réglez les options souhaitées pour la saleté (Soil), l'essorage (Spin) et les degrés de température (Temp), l'essorage additionnel (Extra Spin) et les autres réglages. Maintenez la touche « **My Settings** » (Favoris) enfoncée pendant 3 secondes. Un signal sonore se fera entendre pour vous indiquer que les choix de ce cycle ont été sauvegardés. Vous pouvez choisir « **My Settings** » (Favoris) pour d'autres cycles.

POWER STEAM (Vapeur puissante) (sur certains modèles)

L'option **Power Steam** ajoute de la vapeur dans la laveuse avant le début du cycle de lavage pour contribuer à assouplir les taches pour les cycles **NORMAL**, **WHITES**, **TOWELS**, **BULKY Bedding**, **SANITIZE+Allergen** et **POWER CLEAN**. Mode d'emploi :

1. Pressez la touche **Power** (Alimentation) pour « réveiller » la laveuse et sélectionner un cycle de lavage.
2. Pressez la touche **POWER STEAM** (Vapeur puissante) pour activer la vapeur.
3. Pressez la touche **Start/Pause** (Départ/Pause).

WiFi (peut être une touche partagée avec d'autres options)

Maintenez une pression sur la touche **WiFi**, **POWER STEAM/WiFi*** ou **Time Save/WiFi*** (selon le modèle) durant 3 secondes pour activer. Voyez la section sur la **Wi-Fi Connect** pour savoir comment établir une connexion Wi-Fi.

Comment démarrer

E Options - Suite

Delay Wash (Laver retardée)/Remote Start (Démarrage à distance)

Vous pouvez différer le démarrage d'un cycle de lavage de jusqu'à 24 heures ou démarrer la laveuse à distance en utilisant la fonction **Delay Wash/Remote Start** (Lavage différé/Démarrage différé). Appuyez sur cette touche pour augmenter par unités de 1 heure ou maintenez-la enfoncée pour faire défiler la durée du délai précédant le démarrage du cycle de lavage. Si vous avez connecté votre laveuse au réseau Wi-Fi, la première sélection, « AP », peut être choisie pour activer le démarrage à distance de votre laveuse depuis l'application GE Appliance Smartphone. Ou, si vous réglez un délai en nombre d'heures, l'appareil exécutera un décompte et démarrera automatiquement après cette période. Une fois le réglage du **Delay Wash** (Lavage différé) terminé, appuyez sur la touche **Start** pour activer cette fonction. Pour annuler cette option, éteignez puis rallumez simplement les commandes. **NOTE** : Si vous oubliez de fermer complètement la porte, un signal sonore de rappel se fait entendre pour vous rappeler de le faire.

NOTE : Si vous ouvrez la porte pendant que la machine compte à rebours le temps qui reste avant la mise en marche, la machine fait une pause. Vous devez refermer la porte et appuyer à nouveau sur le bouton **Start** (Départ) pour recommencer le compte à rebours.

Time Saver (Sauve-temps) (sur certains modèles)

Cette option réduit le temps total du cycle en optimisant le lavage, le rinçage et le culbute et / ou en augmentant doucement la température de lavage pour obtenir des vêtements nettoyés plus rapidement. Cette option est disponible dans les cycles **NORMAL** (Normal), **WHITES** (Blancs), **TOWELS** (Serviettes), **DELICATES** (Déliçats), **BULKY Bedding** (Articles volumineux) et **ACTIVE WEAR** (Tenue active). Le temps de lavage total variera en fonction du cycle choisi et les options sélectionnées. **Utilisation** :

1. Mettez la laveuse en marche et sélectionnez le cycle de lavage offrant l'option **Time Saver** (Sauve-temps).
2. Appuyez sur le bouton **Time Saver** (Sauve-temps) pour réduire la durée générale du lavage.
3. Appuyez sur le bouton **Start/Pause** (Mise en marche/Pause).

More Water (Plus d'eau) (sur certains modèles)

Cette option ajoute environ 3 gallons (11 L) aux étapes de lavage et de rinçage du cycle. Si vous sélectionnez l'option avant le démarrage du cycle, l'eau sera ajoutée à partir du début du cycle et plus tard au rinçage. Si vous sélectionnez l'option pendant l'étape du lavage, plus d'eau sera ajoutée à partir de ce moment et plus tard au rinçage. D'une façon similaire, si l'option **More Water** (Plus d'eau) est sélectionnée une fois l'étape du lavage terminée, la laveuse ajoutera plus d'eau pour le rinçage seulement. Si le lavage et le rinçage sont terminés, la touche **More Water** (Plus d'eau) ne sera plus active.

ULTRAFRESH VENT System with ODORBLOCK™ (Ventilation Ultrafresh Système avec ODORBLOCK™) (sur les modèles GE Appliances et Profile uniquement)

Le système ULTRAFRESH VENT avec OdorBlock a été conçu pour éliminer l'excès d'humidité dans la laveuse suivant le cycle de lavage afin de prévenir le développement des odeurs. Cette laveuse a été conçue pour évacuer l'eau plus efficacement à la fin du cycle. Après le cycle de lavage, l'utilisateur peut alors choisir de laisser la porte ouverte ou sélectionner la fonction ULTRAFRESH VENT pour contribuer au séchage du joint d'étanchéité et d'autres zones de la laveuse. Le système OdorBlock comporte plusieurs composants fabriqués au moyen de la technologie antimicrobienne Microban®.* Microban est une technologie antimicrobienne sûre et efficace qui accompagnera votre laveuse durant toute sa durée de vie. Pour plus de renseignements, veuillez visiter www.microban.com/geappliances.

La fonction ULTRAFRESH VENT est disponible après le cycle de lavage et le retrait de la brassée propre. Une fois la porte fermée, une mélodie jouera pour vous aviser et le voyant de la touche **ULTRAFRESH VENT** clignotera. ULTRAFRESH VENT démarrera dès la touche appuyée.

Pour sélectionner ULTRAFRESH VENT à tout autre moment, mettez la laveuse sous tension (ON), assurez-vous qu'aucun cycle n'est actif, retirez tout vêtement du panier, puis pressez et relâchez la touche **ULTRAFRESH VENT** de façon à entendre la mélodie d'avis et voir le voyant de la touche **ULTRAFRESH VENT** clignoter. Ensuite, appuyez de nouveau sur la touche **ULTRAFRESH VENT** pour démarrer la fonction.



Durant le fonctionnement de la fonction ULTRAFRESH VENT, la porte demeurera fermée et la laveuse va essorer par intermittence à basse vitesse durant jusqu'à 8 heures. Les modèles Profile utilisent un capteur pour déterminer la fin du cycle.

Si des vêtements sont détectés dans le panier pendant la ventilation ULTRAFRESH, la laveuse va plutôt passer en **TUMBLE CARE** (culbutage antifroissage) ou **1 STEP WASH + DRY** (lavage et séchage en 1 étape), selon la disponibilité des options sur votre modèle.

On peut annuler la fonction ULTRAFRESH VENT à tout moment de trois façons : presser la touche **POWER** (Alimentation), tourner le cadran des cycles ou presser la touche **ULTRAFRESH VENT**.

Activation de l'application SmartHQ

Plusieurs options de votre laveuse sont activées par Wi-Fi à l'aide de l'application SmartHQ. Non seulement cette application vous permet de recevoir des mises à niveau et des mises à jour en direct du logiciel de votre laveuse, mais elle débloque des fonctions spéciales pour votre laveuse. Parmi ces caractéristiques, vous pourrez trouver **Adaptive SmartDispense** (distribution intelligente adaptative), **Adaptive My Settings** (Favoris adaptatifs) et Stain Removal Guide (guide de traitement des taches).

*Microban® est une marque déposée de Microban International, Ltd.

Comment démarrer

E Options - Suite

1 STEP WASH + DRY (Lavage + séchage en 1 étape) (sur certains modèles)

Cette option est disponible sur tous les cycles sauf **Self Clean** (Auto nettoyant).

La fonction **1 STEP WASH + DRY** est destinée aux petites brassées seulement. Utilisez-la lorsque les vêtements doivent être lavés, séchés et prêts à porter ou rangés le lendemain matin. Cette fonction culbute les vêtements et introduit un écoulement d'air constant dans la cuve de la laveuse à la fin des cycles de lavage sélectionnés. Même si l'étape du séchage est réglée pour 8 heures, les vêtements peuvent être retirés à tout moment en appuyant sur **Pause** ou **Power** pour annuler le cycle.

Tumble Care (Nettoyage par culbute) (sur certains modèles)

Les vêtements sont culbutés périodiquement pendant près de 8 heures après la fin du cycle de lavage pour assouplir les plis et faux-plies si vous ne pouvez pas mettre immédiatement les vêtements dans la sècheuse.

À la fin du cycle, l'afficheur indiquera « END » (fin du cycle) puis le cycle de **Tumble Care** (Nettoyage par culbute) commencera après 10 minutes. Vous pouvez arrêter le culbutage en appuyant sur le bouton **Power** (mise en marche) à n'importe quel moment.

PreWash (Pré-lavage) (sur certains modèles)

Prélavage est un lavage supplémentaire avant le lavage principal. Utilisez-le pour les vêtements très sales ou pour les vêtements dont l'étiquette recommande un pré-lavage avant le lavage. Assurez-vous d'ajouter du détergent liquide ou en poudre à rendement élevé ou le bon additif de lavage au distributeur de pré-lavage. Les laveuses dotées de la **SmartDispense** (distribution intelligente) vont automatiquement ajouter la quantité appropriée de détergent pour le pré-lavage en fonction de la taille de la brassée.

PreWash (Pré-lavage) doit être sélectionné avant d'appuyer sur **Start** (Marche).

La fonction de **PreWash** (Pré-lavage) déclenche les étapes suivantes : remplissage de la laveuse (ajout du détergent de pré-lavage), culbutage des vêtements, évacuation et essorage. Ensuite, la laveuse exécute le cycle de lavage sélectionné.

NOTE : Pour certains cycles spéciaux, le pré-lavage est présélectionné par défaut. Vous pouvez annuler ce choix en tout temps. Le cycle de lavage principal utilisera le détergent provenant du compartiment manuel de détergent et du réservoir **SmartDispense** (Distribution intelligente) (sur certains modèles).

AutoSoak (Trempeage automatique) (sur certains modèles)

Pour tremper vos vêtements avant le cycle de lavage. Cette option débute par un bref culbutage suivi d'un trempage d'une durée déterminée dans une solution d'eau et de détergent. Une fois l'opération terminée, le cycle se poursuivra automatiquement. Il faut sélectionner **AutoSoak** avant de presser la touche **Start**. Le **AutoSoak** ajoute 15 minutes, 30 minutes, 1 heure ou 2 heures supplémentaires au temps de lavage total. Un détergent haute efficacité dans le compartiment principal du distributeur est utilisé durant l'étape **AutoSoak** et le cycle de lavage principal.

Extra Rinse (Rinçage supplémentaire)

Cette option procure un rinçage supplémentaire durant un cycle afin d'éliminer la saleté excédentaire et le détergent des brassées sales. Appuyez sur le bouton **Extra Rinse** (Rinçage supplémentaire) pour le sélectionner.

REMARQUE : Sur le cycle **RINSE & SPIN** (Rinçage et Essorage), un cycle **vidange et essorage** peut être obtenu en appuyant sur le bouton **Extra Rinse** (Rinçage supplémentaire) jusqu'à ce que le LED ne soit pas éclairé.

Light (Voyant de Panier) (sur certains modèles)

Le voyant de panier s'allume et reste allumé pendant 5 minutes lorsque la porte s'ouvre, que le bouton **Start/Pause** (Départ/Pause) est appuyé ou en appuyant sur le bouton de **Light** (Voyant) appuyé pendant.

Le voyant de panier peut être éteint en appuyant sur le bouton de **Light** (Voyant).

Add Garment (Ajout de vêtement) (sur certains modèles)

Si vous devez ajouter un vêtement une fois le cycle commencé, appuyez sur la touche **Add Garment** pour déverrouiller la porte et vous permettre d'ajouter des vêtements. La caractéristique d'ajout de vêtement n'est disponible que si la DEL de la touche est allumée. Après un certain temps pendant le cycle, la DEL ne sera pas allumée et vous ne pourrez plus ajouter de vêtements.

Sound (Volume sonore)

Pour modifier l'intensité sonore du signal de fin de cycle et le volume du pavé tactile, appuyez sur ce bouton autant de fois nécessaires afin d'atteindre l'intensité sonore désirée. Il y a quatre niveaux d'intensité incluant la sourdine.

Control Lock (Light-Control Lock pad)/Verrouillage de contrôle (Voyant-Verrouillage de contrôle bouton) (selon modèle)

Vous pouvez verrouiller les contrôles pour empêcher tout choix de cycle, ou vous pouvez verrouiller les contrôles après avoir commencé un cycle.

Les enfants ne peuvent pas mettre accidentellement en marche la laveuse en appuyant sur des touches quand vous choisissez cette option.

Pour verrouiller/déverrouiller les contrôles de la laveuse, appuyez sur le bouton **Control Lock/(Light-Control Lock pad)/Verrouillage de contrôle (Voyant-Verrouillage de contrôle bouton)** et tenez-la appuyée pendant 3 secondes. Un son retentit pour indiquer l'état verrouillé/déverrouillé. L'icône de contrôle de verrouillage de l'affichage s'allume quand il est branché.

NOTE : Vous pouvez encore utiliser le bouton **Power** (Alimentation) quand la machine est verrouillée.

Comment démarrer

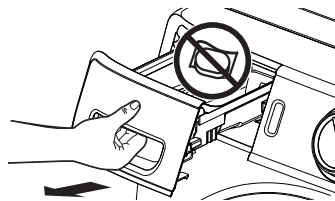
Tiroir distributeur

Ouvrez lentement le tiroir distributeur en le tirant jusqu'à son arrêt final. Après avoir ajouté vos produits de lavage, fermez lentement le tiroir distributeur. Si vous fermez le tiroir trop vite, vous risquez de distribuer l'eau de Javel, l'adoucissant ou le détergent trop tôt.

Vous pouvez voir de l'eau dans les compartiments d'eau de détergent, javel et d'adoucissant à la fin du cycle. C'est occasionné par l'action de vidange/siphonnage et cela fait partie du fonctionnement normal de la laveuse.

Ne mettez PAS de sachets de détergent dans le tiroir distributeur.

REMARQUE : Utilisez seulement des détergents liquides ou en poudre haute efficacité dans le tiroir distributeur. Les sachets de détergents doivent être ajoutés directement dans la cuve de lavage, conformément aux directives du fabricant.



Utilisez seulement le détergent à haute efficacité HE.



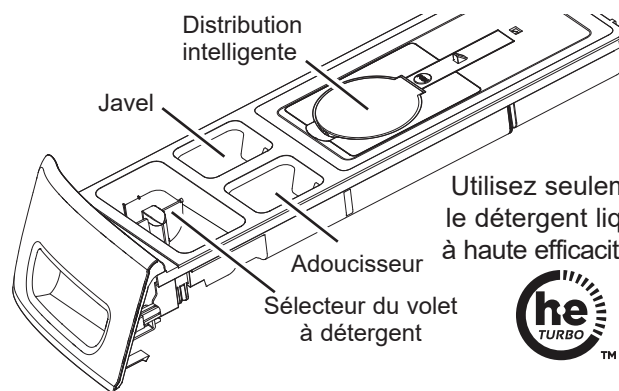
SmartDispense™ (certains modèles)

Cette fonction ajoute automatiquement du détergent au lavage, éliminant le besoin de l'ajouter pour chaque brassée.

La sélection de la quantité de détergent sur le panneau de commande s'affiche à **AUTO** (automatique) par défaut lors de la première mise sous tension de la laveuse. Lorsque **AUTO** est sélectionné, la quantité de détergent nécessaire pour chaque brassée est automatiquement déterminée en fonction de la charge détectée par l'appareil.

Avec **AUTO**, la laveuse va distribuer environ 1,5 oz (44 ml) de détergent pour une brassée normale de 8 lb (3,6 kg). Pour les autres brassées, la quantité sera ajustée en proportion de la taille de la brassée ou du type de vêtement. Si vous sélectionnez **LESS** (Moins), la quantité de détergent sera réduite de 40 %. Ceci peut être souhaitable avec des détergents à haute concentration ou si l'eau domestique est très douce. Pour les brassées très sales, on peut souhaiter de choisir **MORE** (Plus) pour ajouter 40 % plus de détergent que ne le procure **AUTO**. Vous pouvez choisir la marque ou la sorte de détergent par l'application SmartHQ pour que la laveuse puisse faire les ajustements selon les recommandations de fabricants de détergent.

REMARQUE : La **SmartDispense** (Distribution intelligente) n'est pas disponible pour tous les cycles. Si le voyant ne s'allume pas et qu'une pression sur SMART DISPENSE provoque l'émission de bips, alors la fonction Smart Dispense n'est pas permise pour le cycle choisi. Pour ces cycles, le détergent devra être ajouté directement dans son compartiment.



Utilisez seulement le détergent liquide à haute efficacité HE



Si l'on désire ajouter manuellement du détergent pour une brassée particulière :

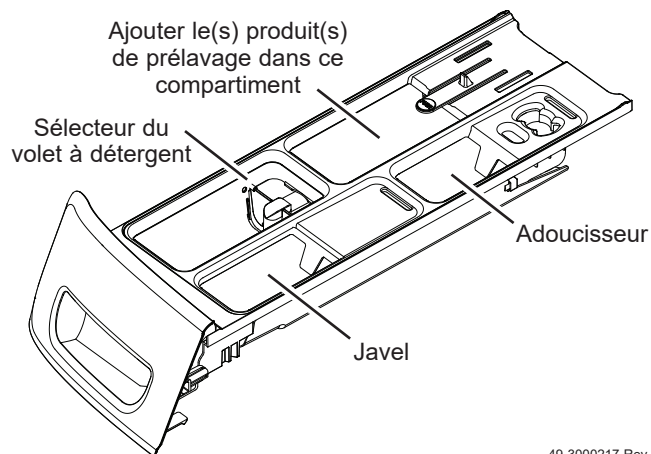
1. Appuyez sur la touche **SMART DISPENSE** (Distribution intelligente) sur le panneau de commande jusqu'à ce que son voyant s'éteigne, ce qui indique que cette fonction est désactivée.
2. Placez le volet du compartiment à détergent dans la position du type de détergent à utiliser, Powder (Poudre) ou Liquid (Liquide). Voyez la section Compartiment de détergent.
3. Ajoutez la quantité de détergent désirée dans le compartiment de détergent.

Si l'afficheur indique que le réservoir SmartDispense (Distribution intelligente) estime qu'il n'y a pas assez de détergent pour laver une charge, le voyant SmartDispense clignotera. La laveuse peut encore exécuter un cycle, mais il est suggéré d'ajouter du détergent dans le compartiment à détergent manuel ou de remplir le réservoir SmartDispense.

Compartiment de pré lavage (certains modèles)

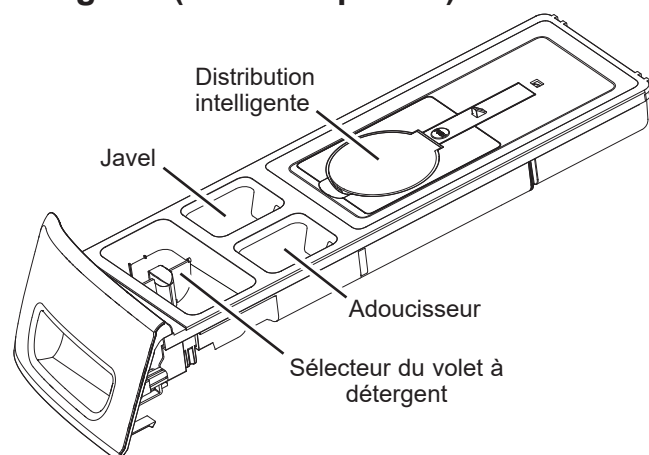
N'utilisez le compartiment de pré lavage que si vous choisissez le cycle de **PreWash** (Pré lavage) pour des vêtements très sales. Ajoutez le détergent mesuré ou l'additif de pré lavage au compartiment de pré lavage situé à l'arrière gauche du tiroir distributeur.

- Le détergent ou l'additif de pré lavage est évacué du distributeur pendant le cycle de **PreWash** (Pré lavage) (si vous l'avez choisi).
- Vous devez ajuster la quantité de détergent à la température de l'eau, à la dureté de l'eau, à la taille de la charge et à son niveau de saleté. Évitez d'utiliser trop de détergent dans votre laveuse car cela peut provoquer des traces de détergent et de mousse sur les vêtements.

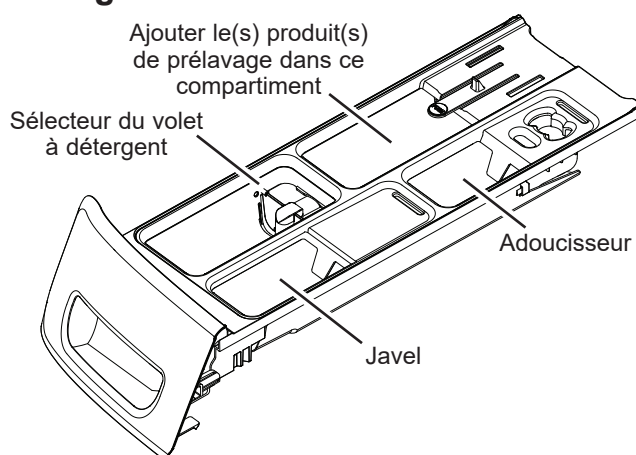


Comment démarrer

Sur les modèles avec distribution intelligente (Smart Dispenser) :



Sur les modèles sans distribution intelligente :



Compartiment de détergent

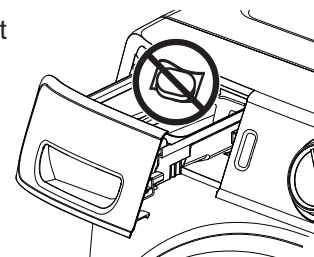
Utilisez seulement du détergent haute efficacité dans cette laveuse. **NE PAS** remplir de ce détergent au-delà de la ligne MAX. Utilisez la quantité recommandée par le fabricant du détergent.

- **Détergent en poudre** – Levez le volet pour le détergent en poudre. Cela est nécessaire pour dissoudre et rincer le détergent correctement. Respectez les instructions du fabricant de détergent pour la mesure de la quantité de poudre.
- **Détergent liquide** – Maintenez le volet baissé pour le détergent liquide. Cela retient le détergent liquide jusqu'à son rinçage automatique au début du cycle de lavage. Respectez les instructions du fabricant de détergent pour la mesure de la quantité de liquide.


Vous devrez peut-être ajuster la quantité de détergent en fonction de la température et de la dureté de l'eau ainsi que du volume et du degré de saleté de la charge. Évitez d'utiliser trop de détergent dans votre laveuse car cela causera un débordement savonneux, laissera des traces de détergent et de mousse sur les vêtements, et allongera la durée du lavage.

Ne versez pas de détergent grumeleux dans le distributeur, au risque de causer une fuite.

Ne mettez PAS de sachets de détergent dans le tiroir distributeur.



Compartiment d'eau de Javel liquide

Si vous le désirez, mesurez le montant recommandé d'eau de Javel, ne dépassant pas 1/3 de tasse (80 ml) et versez-le dans le compartiment étiqueté LIQUID BLEACH (Eau de Javel) et portant le symbole .

Il est recommandé d'employer un javellisant à haute efficacité (HE) pour cette laveuse à chargement frontal.

Ne dépassez jamais la ligne de remplissage maximum. Si vous mettez trop d'eau de Javel, cela risque de provoquer une distribution prématurée de l'eau de Javel, qui peut occasionner des dommages à vos vêtements.

REMARQUE : N'utilisez pas de javellisant en poudre ni de détergents ou d'additifs pour lessive en sachets dans le distributeur.

Compartiment d'adoucissant

Si vous le désirez, versez le montant recommandé d'adoucissant liquide dans le compartiment étiqueté FABRIC SOFTENER (Adoucissant).

N'utilisez que de l'adoucissant liquide dans le distributeur.

Diluez dans de l'eau jusqu'à la ligne maximum de remplissage.

Ne dépassez jamais la ligne maximum de remplissage. Si vous mettez trop d'adoucissant, cela risque de provoquer une distribution prématurée d'adoucissant, qui peut tacher vos vêtements.

REMARQUE : Ne mettez jamais d'adoucissant directement dans la charge à laver.

Indicateur d'aide au consommateur

Votre laveuse est équipée d'un Indicateur d'aide au consommateur (IAC). L'IAC est notre façon de communiquer une solution simple dans certaines situations où un appel de service n'est pas nécessaire. Le tableau ci-dessous décrit les messages utiles qui peuvent défiler sur votre affichage lorsque vous retournez pour laver une autre charge. Ces messages présentent des solutions simples que vous pouvez exécuter rapidement.

<p>Spin (Une lumière clignotante de spin)</p>	<p>Si une condition de déséquilibre est détectée par la laveuse, le voyant d'essorage (Spin) clignotera pendant le restant du cycle et restera allumé pendant une courte période de temps après que le cycle soit terminé. Lorsque cela se produit, la laveuse prend des mesures pour corriger la condition de déséquilibre et de terminer le cycle normalement. Dans certains cas, il est possible que la laveuse ne puisse pas être en mesure d'équilibrer la charge et essorer à plein vitesse. Si vous remarquez que la charge est plus humide que normalement à la fin du cycle, répartissez la charge uniformément dans le panier de lavage et commencez un cycle de Drain & Spin (drainer et essorer). (Consultez Rinçage supplémentaire sous les options Comment démarrer pour en savoir plus).</p>
<p>"H2O SUPPLY" (Alimentation d'eau dans la laveuse)</p>	<p>Vérifiez l'alimentation d'eau de votre domicile. Avez-vous oublié d'ouvrir un ou les deux robinets d'admission d'eau après l'installation ou au retour de vacances? Aussitôt que le message commence à défiler, la laveuse lance une période de verrouillage de 4 minutes. Les commandes de la laveuse ne répondront pas durant cette période ni ne pourront être changées. Après 4 minutes, vous pouvez redémarrer votre cycle. Si vous tentez d'outrepasser la période de verrouillage en débranchant la laveuse, la minuterie de 4 minutes se mettra en marche de nouveau.</p>
<p>"CAnCELEd" (Annulé)</p>	<p>"CAnCELED" (Annulé) peut défiler sur l'affichage si la machine a été mise en pause pendant plus de 24 heures ou si la machine s'est arrêtée par elle-même en raison de certaines erreurs avant que le cycle soit fini. Dès que le message commence à défiler, la laveuse va initier une période de verrouillage « lock-out » pour une durée de 4 minutes. Les commandes de la laveuse ne répondront pas (ni ne pourront être changées) durant cette période. Après les 4 minutes, vous pouvez redémarrer votre cycle . Si vous tentez d'outrepasser la période de verrouillage en débranchant la laveuse, la minuterie de 4 minutes se mettra de nouveau en marche. Si le problème persiste appelez 800.561.3344 pour le service.</p>
<p>"door" (Porte)</p>	<p>« door » (porte) s'affichera sur l'afficheur si vous essayez de commencer un cycle alors que la porte n'est pas complètement fermée. « door » (porte) s'affichera aussi sur l'afficheur si 3 cycles ont été commencés sans avoir ouvert la porte.</p> <p>La laveuse ne démarrera pas un autre cycle tant que la porte est ouverte. En d'autres circonstances, essayez d'ouvrir et de fermer la porte puis commencer un nouveau cycle. Si le problème persiste, appelez 800.561.3344 pour le service.</p>

Chargement

Respectez toujours l'étiquette d'entretien du fabricant lors de la lessive.

Tri du linge

Triez le linge par couleur (blancs, clairs, couleurs), degré de saleté, type de tissu (coton robuste, tissu à entretien facile, tissu délicat) et en fonction de la charpie qu'il produit (tissu éponge, tissu chenille) ou qu'il ramasse (velvétine, velours côtelé). Lavez les articles qui génèrent de la charpie, tels que les serviettes de coton et les bas, séparément des articles qui la collectent, par exemple les vêtements synthétiques et les pantalons habillés.

⚠ AVERTISSEMENT - Risque d'incendie

NE lavez **PAS** les tissus contaminés avec des liquides inflammables ou des solvants de nettoyage.

Aucune laveuse ne peut éliminer l'huile totalement.

NE faites **PAS** sécher des articles qui ont été trempés dans ou en contact avec des huiles.

NE mettez **PAS** à la main dans la machine à laver jusqu'à ce que toutes les pièces mobiles soient arrêtées.

Cela peut entraîner la mort, une explosion, un incendie ou une amputation.

Chargement de la laveuse

Vous pouvez charger complètement le tambour de lavage en ajoutant les articles lachement.

Pour ajouter des articles après avoir mis en marche la laveuse, appuyez sur **Start/Pause** (Mise en marche/ Pause) et attendez que la porte soit déverrouillée. La laveuse peut prendre jusqu'à 30 secondes pour déverrouiller sa porte après que vous ayez appuyé sur **Start/Pause** (Mise en marche/ Pause), selon les conditions. N'essayez pas de forcer la porte pour l'ouvrir quand elle est verrouillée. Quand la porte est déverrouillée, ouvrez doucement. Ajoutez les articles, refermez la porte et appuyez sur **Start/Pause** (Mise en marche/ Pause) pour remettre en marche.

Exemples de brassées

VÊTEMENTS DE TRAVAIL	LINGE DE MAISON	BRASSÉES MIXTES	TISSUS DÉLICATS*	LAVAGES RAPIDES (2 à 3 vêtements)
4 Jeans 5 chemises de travail 3 pantalons de travail	2 draps de bain 10 serviettes de bain/ 12 débarbouillettes 7 essuie-mains/ 2 tapi de baignoires en tissu éponge OU 2 draps plat format grand lit 2 draps-housse format grand lit 4 taies d'oreiller	4 taies d'oreiller 2 essuies-main 2 draps plats 2 draps-housse 2 serviettes de bain/ 4 débarbouillettes OU 6 chemises (homme ou femme) 4 pantalons (kakis ou tissus croisés) 5 tee-shirts 7 boxeurs 4 caleçons OU 6 tee-shirts 4 pantalons molletonnés 4 pulls molletonnés 2 kangourous 7 paires de bas	7 soutiens-gorge 7 culottes 3 slips 2 camisoles 4 chemises de nuit *On recommande de placer les petits articles dans un sac en filet de nylon.	2 chemises sport 1 pantalon sport OU 3 uniformes de soccer

Entretien et nettoyage

Flexibles d'alimentation d'eau

Inspectez régulièrement tous les flexibles d'alimentation d'eau afin de détecter des signes de fuites d'eau, d'usure, de coupures, de corrosion et de bombements. Remplacez les flexibles immédiatement si des signes de cette nature apparaissent. Pour réduire le risque de défaillance des flexibles et de dégâts d'eau, ceux-ci doivent être remplacés tous les 5 ans d'utilisation. Lorsque vous remplacez des flexibles, reportez-vous aux instructions d'installation pour vous assurer d'une installation correcte. ÉVITEZ de trop serrer les raccords et de fausser leur filetage. Les flexibles NE doivent PAS frotter contre des objets coupants ni présenter des plis ou des étirements trop prononcés. Vérifiez toujours que les joints d'étanchéité en caoutchouc des flexibles sont installés et exempts de fuites lorsqu'ils sont sous pression.

Extérieur

Essuyez immédiatement tout débordement. Essuyez ou époussetez les renversements ou les produits de lavage avec un linge humide. Le panneau de commande et le fini de la laveuse peuvent être endommagés par certains détachants et produits de prétraitement. Appliquez ces produits à l'écart de la laveuse. Le tissu peut ensuite être lavé et séché normalement. Les dommages à votre laveuse causés par ces produits ne sont pas couverts par votre garantie. Ne frappez jamais la surface avec des objets aiguisés.

Intérieur

Séchez autour de l'ouverture de la porte de la laveuse, du joint flexible (y compris les tuyaux) et de la porte en verre. Ces surfaces doivent être toujours propres pour assurer que le joint soit bien imperméable. Vous noterez que ceci n'est pas requis aussi souvent si vous utilisez régulièrement le système ULTRAFRESH VENT. Il est recommandé de rincer la machine à laver au moins une fois par mois avec 1 tasse (250 ml) d'eau de javel (ou tout autre produit disponible dans le commerce fabriqué à cet effet, tel que le nettoyant pour laveuse Tide®) versée directement dans le panier sans vêtements et en utilisant le cycle **Self Clean** (Nettoyage de la Cuve).

Self Clean (Auto nettoyant)

Pour nettoyer l'intérieur de la laveuse, choisissez la fonction **SELF CLEAN** sur le panneau de commande. Le cycle **Self Clean** doit être exécuté au minimum une fois par mois ou environ tous les 40 cycles de lavage. Ce cycle utilise plus d'eau, en plus du javellisant, afin de contrôler le taux d'accumulation de la saleté et du détergent dans votre laveuse.

REMARQUE : Lisez les instructions ci-dessous en entier avant de démarrer le cycle de **Self Clean**.

1. Enlevez tout vêtement ou objet de la laveuse et assurez-vous que le panier de la laveuse est vide.
2. Ouvrez la porte de la laveuse et versez une tasse ou 250 ml de javellisant liquide ou autre nettoyant de laveuse dans le panier.
3. Fermez la porte et choisissez le cycle de **SELF CLEAN**. Appuyez sur la touche **Start**.
4. Lorsque le cycle **Self Clean** (Auto nettoyant), l'affichage indiquera la durée résiduelle estimée du cycle. Le cycle se terminera dans 90 minutes. N'interrompez pas le cycle.



5. Une fois le cycle terminé (sur certains modèles), la laveuse va démarrer une ventilation ULTRAFRESH de façon que la porte puisse rester fermée jusqu'à la prochaine utilisation de la laveuse.

Si pour une raison quelconque le cycle doit être interrompu, la porte ne s'ouvrira pas immédiatement. Forcer la porte à s'ouvrir à ce stade peut causer un débordement d'eau. La porte s'ouvrira lorsque l'eau aura été vidée à un niveau où elle ne débordera pas sur le plancher.

Vous pouvez interrompre le cycle de **Self Clean** (Auto nettoyant) en appuyant sur la touche **Start** (Mise en marche) entre les cycles. Une panne de courant peut également interrompre le cycle. Au retour du courant, le cycle de **Self Clean** (Auto nettoyant) reprend là où il s'était arrêté. Lorsque le cycle est interrompu, assurez-vous de reprendre un cycle complet de auto nettoyant avant d'utiliser la laveuse. Si vous appuyez sur la touche **Power** (Alimentation) durant le **Self Clean** (Auto nettoyant), le cycle sera perdu.

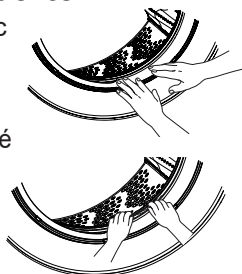
IMPORTANT:

- Effectuez le **Self Clean** (Auto nettoyant) avec 250 ml (une tasse) de javellisant une fois par mois.
- Lorsque le cycle **Self Clean** (Auto nettoyant) est terminé, l'intérieur de votre laveuse peut avoir une odeur de javellisant.
- Il est recommandé de laver une **RINSE & SPIN** ou brassée de couleur pâle après le cycle de **Self Clean**.

Joint d'étanchéité de la porte

Ouvrez la porte de la laveuse. Avec les deux mains, poussez le joint d'étanchéité vers le bas.

Tout en maintenant le joint d'étanchéité de la porte, inspectez le pli intérieur. Retirez tous les objets étrangers trouvés à l'intérieur de ce joint.



Enlevez tout objet étranger qui pourrait se trouver dans le joint. Assurez-vous que rien ne bloque les orifices derrière le joint.

Une fois le nettoyage terminé, retirez vos mains et les joints retourneront à ses positions normales.



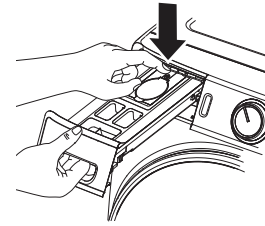
Entretien et nettoyage

Emplacement du tiroir distributeur

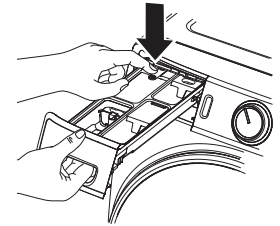
Le détergent et l'adoucisseur peuvent s'amasser dans le tiroir distributeur. Il faut enlever ces résidus une ou deux fois par mois.

- Enlevez le tiroir en le tirant d'abord jusqu'à ce qu'il s'arrête. Puis atteignez le arrière de la cavité du tiroir et appuyez fermement sur la patte de verrouillage, en tirant le tiroir.
- Rincez à le tiroir pour faire disparaître les traces de produits de lavage qui se sont accumulées.
- Pour nettoyer l'ouverture du tiroir, utilisez une petite brosse pour l'intérieur. Enlevez tout résidu en haut et en bas de l'intérieur.
- Remettez en place le tiroir de distribution.
- Pour réduire l'accumulation dans le tiroir de distribution :

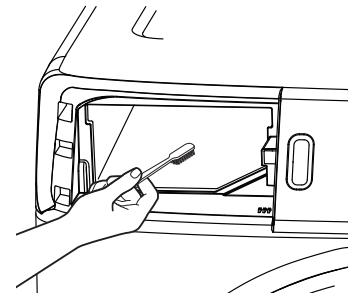
On models with a Smart Dispenser:



On models without a Smart Dispenser:



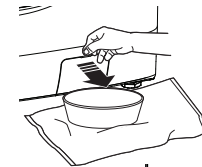
Utilisez seulement un détergent à haute efficacité HE.



Filtre de la pompe

En raison de la nature de la laveuse à chargement frontal, il est parfois possible pour les petits articles d'atteindre la pompe. La laveuse présente un filtre pour piéger les articles perdus pour qu'ils ne tombent pas dans le drain. Pour récupérer les articles perdus, nettoyez le filtre de la pompe.

1. Ouvrez la porte d'accès à l'aide d'un petit tournevis à tête plate ou pièce de monnaie.
2. Placez un plat ou un bac peu profond sous la porte d'accès à la pompe et des serviettes sur le sol devant la laveuse pour protéger le sol. Il est normal de recueillir environ une tasse d'eau lorsque le filtre est retiré.
3. Tirez sur le bec verseur
4. Tournez le filtre de la pompe dans le sens inverse des aiguilles d'une montre et retirez lentement le filtre, en contrôlant le débit de l'eau évacuée.
5. Retirez le filtre et nettoyez les débris du filtre.
6. Remettez le filtre en place et tournez dans le sens des aiguilles d'une montre. Serrez fermement.
7. Relevez le bec verseur
8. Fermez la porte d'accès en accrochant d'abord les languettes inférieures, puis en tournant la porte d'accès pour la fermer.



Déménagement et rangement

Demandez au technicien de service d'enlever l'eau de la pompe et des tuyaux de vidange. Ne rangez jamais la laveuse dans un endroit où elle est exposée au mauvais temps. Quand vous déménagez la laveuse, vous devez immobiliser le bassin de lavage en utilisant les boulons d'expédition enlevés pendant l'installation. Consultez les Instructions d'installation dans ce manuel. Si vous n'avez pas ces pièces, vous pouvez les commander en visitant notre site web à l'adresse Electromenagersge.ca/fr/produits/filtres-et-accessoires ou en appelant le numéro de telephone **800.661.1616**.

Longues vacances

Assurez-vous de fermer tous les robinets d'alimentation de l'eau. Vidangez toute l'eau des tuyaux si la température risque de descendre en dessous de celle de gel.

Instructions d'installation

Laveuse

Des questions? Appelez le 800.561.3344 ou Visitez notre site Web à l'adresse : electromenagersge.ca

AVANT DE COMMENCER

Lisez ces instructions entièrement et soigneusement.

- **IMPORTANT** — Conservez ces instructions pour l'inspecteur local.
- **IMPORTANT** — Observez tous les codes et les ordonnances en vigueur.
- **Note à l'installateur** — Assurez-vous de laisser ces instructions au consommateur.
- **Note au consommateur** — Conservez ces instructions à titre de référence.
- **Niveau de compétences** — L'installation de cet appareil électroménager nécessite des compétences mécaniques et électriques de base.
- **Temps d'installation** — 1-3 heures
- L'installateur est responsable de bien installer cet appareil.
- Toute panne de produit due à une mauvaise installation n'est pas couverte par la garantie.

EMPLACEMENT DE VOTRE LAVEUSE

N'installez jamais votre laveuse :





1. Dans un endroit exposé à de l'eau qui coule ou aux conditions climatiques extérieures. La température ambiante ne doit jamais être inférieure à 15,6°C (60°F) pour que la laveuse fonctionne bien.
2. Dans un endroit où elle entre en contact avec des tentures ou des rideaux.
3. Sur un tapis. Le sol **DOIT** être une surface dure avec une pente maximum de 1,27 cm per 30 cm (1/2 pouce par pied). Pour vous assurer que la laveuse ne vibre pas ou ne bouge pas, il est possible que vous deviez renforcer le plancher.

REMARQUE : Si le plancher est en mauvais état, utilisez une feuille de contreplaqué traité de 3/4 po. fixé solidement à la couverture de plancher actuelle.


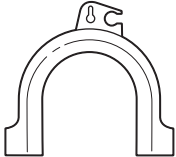


INSTALLATION EN MAISON MOBILE :

L'installation doit satisfaire les normes suivantes : Standard for Mobile Homes, ANSI A119.1 et National Mobile Home Construction and Safety Standards Act of 1974 (PL93-383).

OUTILS NÉCESSAIRES

- Niveau 
- Clé à molette 
- Pince multiprise à crémaillère 
- Tournevis cruciforme 

PIÈCES FOURNIES

- Couvercles de boulons d'expédition 
- Guide de tuyau 
- Barre de verrouillage - Conserver pour l'option **Inversion de l'ouverture de la porte** (en option sur certains modèles uniquement) 
- Attache de câble 

PIÈCES REQUISES (vendues séparément ou inclus avec le modèle GFW510)

- Flexibles d'eau (2) 
- Rondelles en caoutchouc (2) et grillages pour crépine (2) 

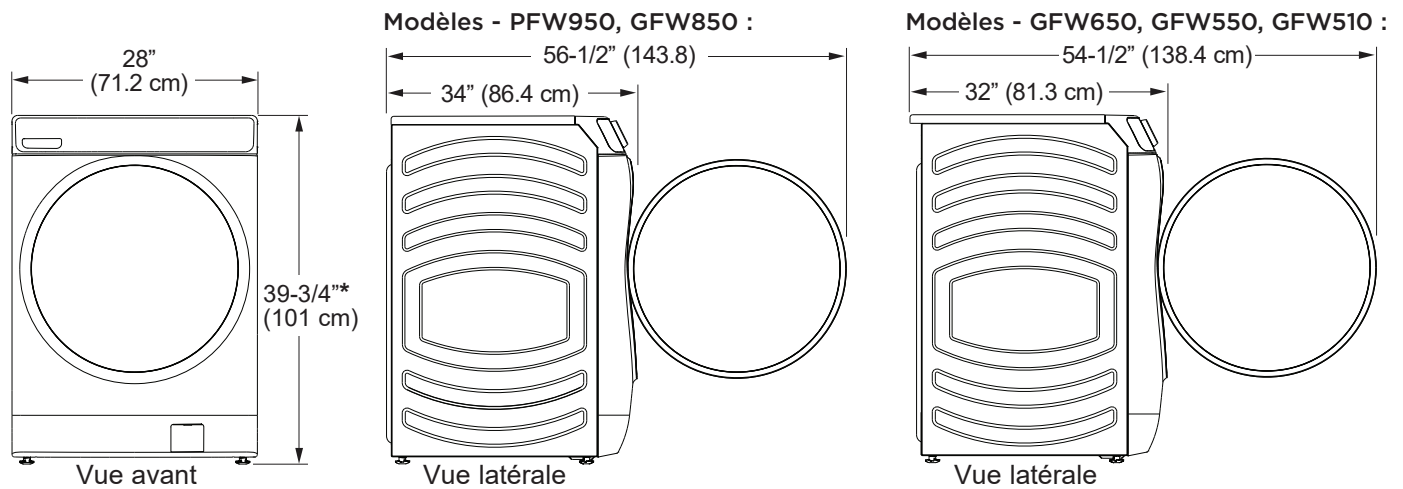
Pièces et accessoires GE Appliances

Consultez votre annuaire local pour un détaillant de pièces autorisé ou appelez-nous au 800.661.1616 ou Electromenagersge.ca/fr/produits/filtres-et-accessoires.

Numéro de pièce	Accessoire
WX14X10011	Tuyaux 6 pi pour laveuse en acier inoxydable avec coudes 90°; paquet de 2
WH1X2267	Rondelles en caoutchouc et grillages

Instructions d'installation

DIMENSIONS DE LA LAVEUSE

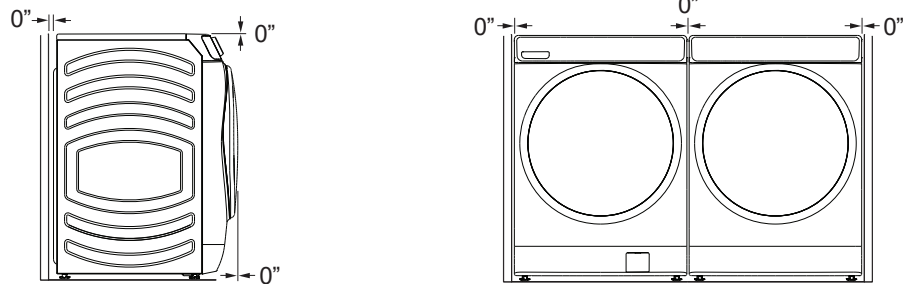


*Avec pieds de nivellement rétractés : 39-3/4 (101 cm). / Avec pieds de nivellement complètement sortis : 40-5/8 (103.1 cm).

ESPACES LIBRES MINIMUM

Alcôve ou Placard

- Arrière = 0"
- Côtés = 0"
- Haut = 0"
- Avant = 0"

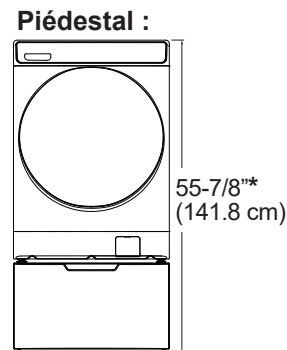
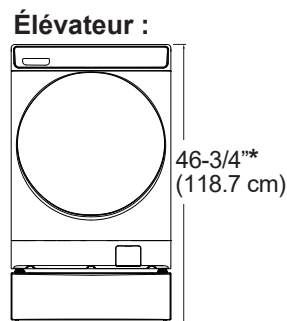


- Il faut veiller à procurer le dégagement nécessaire à l'installation et aux interventions de service.
- Les portes du placard doivent être perforées ou bien ventilées et disposer d'au moins 387,1 cm² (60 pouces carrés) d'espace. Si le placard abrite une laveuse et une sècheuse, les portes doivent disposer de 774,2 cm² (120 pouces carrés) au minimum d'espace ouvert.
- *Pour permettre un dégagement 0 po à l'arrière de la laveuse, vous devez utiliser des tuyaux avec coude 90°. Autrement, un dégagement supplémentaire peut être nécessaire pour éviter le frottement des tuyaux contre le mur arrière.

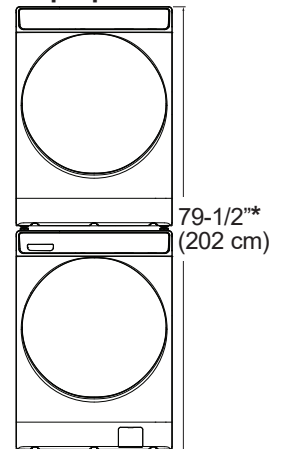
ACCESSOIRES :

Commandez en ligne sur Electromenagersge.ca/fr/produits/filtres-et-accessoires 24 heures par jour ou en téléphonant au **800 561-3344** durant les heures normales d'affaire.

No. de pièce	Accessoire
GFR0728SNWW	Élévateur blanc
GFR0728PNSN	Élévateur nickel satiné
GFR0728PNRS	Élévateur saphir royal
GFR0728PNDG	Élévateur gris diamant
GFR0728PTDS	Élévateur ardoise noire
GFP1528SNWW	Piédestal blanc
GFP1528PNSN	Piédestal nickel satiné
GFP1528PNRS	Piédestal saphir royal
GFP1528PNDG	Piédestal gris diamant
GFP1528PTDS	Piédestal ardoise noire
GFA28KITN	Kit d'empilage d'une sècheuse sur une laveuse



Superposé :



Suivez les **Instructions d'installation** incluses dans la trousse pour l'ensemble des dégagements et spécifications.

*Avec pieds de nivellement rétractés. Voir la section **DIMENSIONS DE LA LAVEUSE** ci-dessus pour les dimensions de l'extension des pieds.

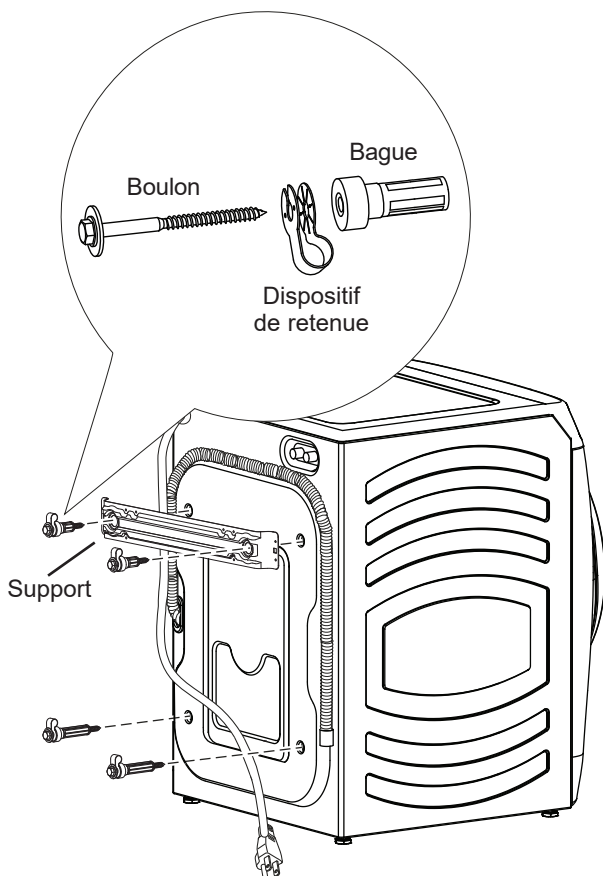
Instructions d'installation

DÉBALLAGE DE VOTRE LAVEUSE

⚠ AVERTISSEMENT Recyclez ou détruisez le carton et les sacs en matière plastique après avoir déballé votre laveuse. Mettez ces matériaux hors de la portée des enfants. Les enfants peuvent être tentés de les utiliser pour jouer. Les cartons recouverts de tapis, de couve-lit, ou de drap en matière plastique peuvent devenir des chambres hermétiquement closes risquant d'étouffer des enfants.

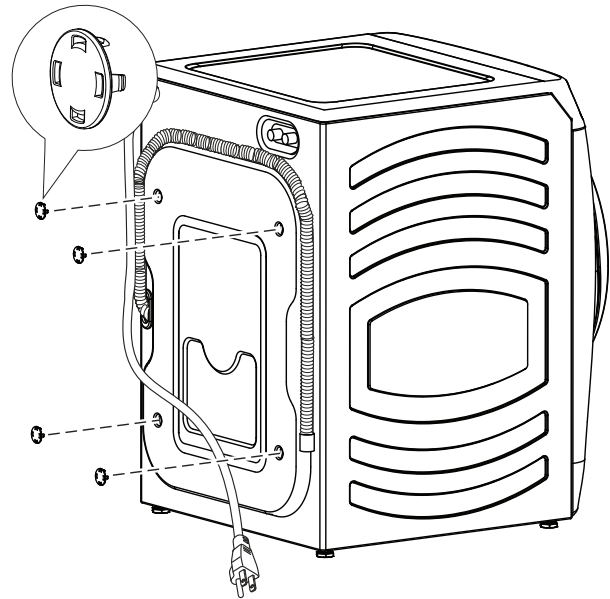
1. Coupez et enlevez toutes les sangles d'emballage.
2. Alors qu'elle est dans le carton, posez avec soin la laveuse sur son côté. **NE LAISSEZ JAMAIS** reposer la laveuse sur son avant ou son arrière.
3. Tournez vers le bas les rebords du bas—enlevez tout l'emballage de base, y compris la base en styrofoam.
4. Remettez soigneusement la laveuse debout et enlevez le carton.
5. Amenez soigneusement la laveuse à moins de 4 pieds (122 cm) de son emplacement final.
6. Enlevez les pièces suivantes de l'arrière de la laveuse :
 - 4 boulons
 - 4 bagues en matière plastique (compris les dispositifs de retenue du cordon d'alimentation et les anneaux en caoutchouc)
 - 1 support et les vis le fixant à la laveuse

NOTE : NE retirez PAS la vis ou le clip tenant le tuyau.



DÉBALLAGE DE VOTRE LAVEUSE (suite)

7. Insérez les capuchons des trous de boulons d'expédition dans les trous des boulons d'expédition.



IMPORTANT :

- Le fait de ne pas retirer toute la quincaillerie d'expédition pour provoquer un déséquilibre sévère de la laveuse.
- Conservez toute la quincaillerie d'expédition pour usage future. Si vous devez transporter ultérieurement la laveuse, vous devez réinstaller les boulons d'expédition et les entretoises pour éviter les bris pendant l'expédition. Ce support n'est pas requis et peut donc être jeté.

REMARQUE : Considérez les options de recyclage des matériaux d'emballage de votre électroménager.

Instructions d'installation

EXIGENCES ÉLECTRIQUES

⚠ AVERTISSEMENT - Risque d'électrocution

Brancher à une prise de courant à 3 broches mise à la terre.

NE PAS retirer la broche de contact de mise à la terre.

N'UTILISEZ pas de rallonge électrique.

N'UTILISEZ pas d'adaptateur de prise.

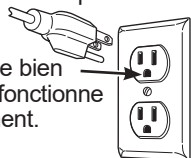
Le non-respect de ces instructions pourrait entraîner un décès, un incendie ou un choc électrique.

CIRCUIT - Individuel, correctement polarisé et mis à la terre, disjoncteur ou fusible temporisé de 15 ou 20 ampères.

ALIMENTATION ÉLECTRIQUE – 2 fils plus la mise à la terre, 120 volts, monophasé, 60 Hz, courant alternatif.

PRISE ÉLECTRIQUE – Prise à 3 voies correctement mise à la terre située de façon à ce que le cordon soit accessible lorsque la laveuse est installée dans sa position définitive. Si la prise n'est qu'à 2 voies, il est de la responsabilité du propriétaire de demander à un électricien agréé de la remplacer par une prise à 3 voies correctement mise à la terre.

Assurez-vous au préalable qu'une mise à la terre existe bien et qu'elle fonctionne correctement.



La laveuse doit être correctement mise à la terre conformément aux codes locaux de l'électricité, ou dans l'absence de codes locaux, à la dernière édition du Code Électrique National, ANSI/NFPA NO. 70 ou au Code Électrique Canadien CSA C22.1. Demandez à un électricien agréé de vérifier la connexion si vous n'êtes pas certain que la laveuse est correctement mise à la terre.

INSTRUCTIONS DE MISE À LA TERRE

Cet appareil doit être mis à la terre. Dans l'éventualité d'un mal fonctionnement ou d'une panne, la mise à la terre réduit le risque de choc électrique en procurant un circuit de moindre résistance au courant électrique. Cet appareil comporte un cordon doté d'un conducteur de mise à la terre de l'appareillage et d'une fiche de mise à la terre. La fiche doit être branchée dans une prise compatible correctement installée et mise à la terre conformément à tous les codes et règlements en vigueur.

⚠ AVERTISSEMENT Une connexion incorrecte du conducteur de mise à la terre de l'appareillage peut poser un risque de choc électrique. Consultez un électricien ou réparateur qualifié si vous doutez que l'appareil soit correctement mis à la terre. **NE** modifiez **PAS** la fiche du cordon d'alimentation. Si elle ne s'insère pas dans la prise, demandez à un électricien agréé de poser une prise appropriée.

Si les codes locaux l'exigent, un fil de terre extérieur en cuivre de calibre 18 ou supérieur (non fourni) peut être ajouté. Fixer à l'enceinte de la laveuse à l'aide d'une vis à tôle #10-16 x 1/2 po (dans toute bonne quincaillerie) à l'arrière de la laveuse.

⚠ AVERTISSEMENT - Risque d'électrocution

Débranchez l'alimentation électrique avant la réparation. Remettez toutes les pièces et panneaux en place avant d'utiliser l'appareil.

L'omission de prendre ces précautions peut provoquer la mort ou l'électrocution.

⚠ AVERTISSEMENT - Risque d'électrocution

Certaines pièces internes sont intentionnellement non mises à la terre et peuvent présenter un risque de choc électrique lors d'un entretien.

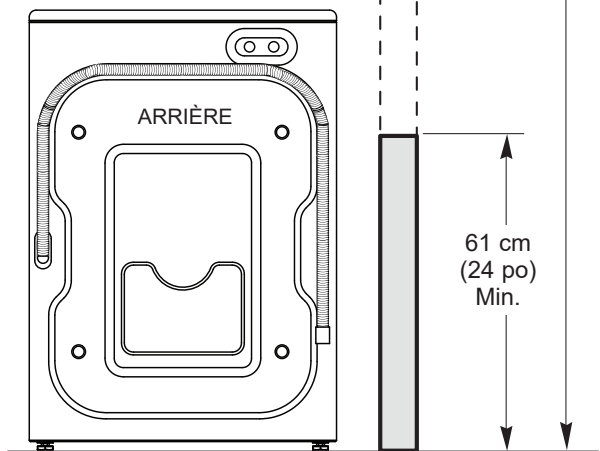
Personnel de réparateur – NE PAS toucher aux composants suivants lorsque l'appareil est sous tension : robinet d'eau, pompe de vidange, NTC, élément chauffant, verrou de porte, carte d'onduleur, moteur et carte MC.

EXIGENCES D'ALIMENTATION D'EAU

Les robinets DOIVENT être des robinets de jardin de 1,9 cm (3/4 po.), pour pouvoir brancher les tuyaux d'entrée. La pression de l'eau DOIT être entre 10 et 120 livres par pouce carré. Votre service d'eau peut vous indiquer votre pression d'eau. La température de l'eau chaude doit être réglée de manière à fournir de l'eau à une température de 48°C à 60°C (120°F à 140°F) pour obtenir un rendement adéquat de la commande de température automatique (ATC).

EXIGENCES DE VIDANGE

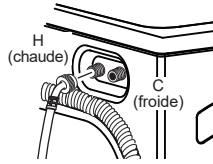
1. Une vidange capable d'éliminer 38 L (10 gallons) par minute.
2. Un diamètre minimum de tuyau ascendant de 3,18 cm (1 1/4 po.)
3. La hauteur du tuyau ascendant au dessus du plancher doit être la suivante :
Hauteur minimum : 61 cm (24 po.)
Hauteur maximum : 244 cm (96 po.)



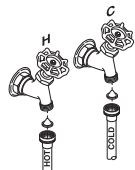
Instructions d'installation

INSTALLATION DE LA LAVEUSE

1. Faites couler un peu d'eau chaude et froide des robinets pour purger les tuyaux d'entrée d'eau et enlever les particules qui peuvent boucher les filtres des robinets et des tuyaux d'entrée d'eau.
2. Enlevez les tuyaux d'entrée d'eau du conditionnement.
3. (extrémité coudée 90°) Assurez-vous de la présence de la rondelle de caoutchouc aux extrémités des coudes de 90° des tuyaux d'eau chaude et froide (HOT et COLD). Réinstallez les rondelles de caoutchouc aux extrémités des tuyaux si ces dernières sont tombées lors du transport. Branchez soigneusement le tuyau d'entrée marqué HOT (chaud) à la sortie extérieure du robinet d'eau marquée H. Serrez à la main, puis serrez encore 2/3 de tour avec des pinces. Branchez soigneusement l'autre tuyau d'entrée à la sortie intérieure du robinet d'eau marquée C. Serrez à la main, puis serrez encore 2/3 de tour avec des pinces. **Ne faussez pas le filetage ou ne serrez pas trop ces branchements.**



4. Si les rondelles grillagées pour flexibles ne sont pas déjà insérées dans les flexibles d'admission d'eau, insérez-les dans les extrémités libres des flexibles d'eau CHAUDE et FROIDE en orientant la face bombée vers le robinet.
5. Branchez les extrémités du tuyau d'entrée aux robinets d'eau CHAUDE et FROIDE, en serrant légèrement à la main, puis en serrant encore 2/3 de tour avec des pinces. Ouvrez l'eau et vérifiez qu'il n'y ait pas de fuite.



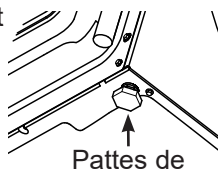
6. Amenez soigneusement la laveuse dans son emplacement final. Mettez gentilement la laveuse à sa place, en la balançant. Il est important de ne pas endommager les pattes de nivellement en caoutchouc lorsque vous déplacez la laveuse vers sa position finale. Des pattes endommagées peuvent accroître les vibrations produites par la laveuse. La vaporisation de nettoyant à vitres sur le plancher peut faciliter le déplacement de la laveuse vers sa position finale.

NOTE : Afin de réduire les vibrations, assurez-vous que les quatre pattes de nivellement reposent fermement au plancher. Poussez et tirez sur l'arrière de la laveuse du côté droit, puis du côté gauche pour ajuster les pattes.

NOTE : N'essayez jamais de soulever la laveuse par sa porte ou par son tiroir distributeur.

NOTE : Si vous installez dans un bac de vidange, vous pouvez utiliser un 2 x 4 long de 24 po. pour bien mettre à l'horizontale la laveuse.

7. La laveuse dans son emplacement final, placez un niveau à bulle sur la laveuse (si elle est installée sous un comptoir, elle ne doit pas bouger). Ajustez les pattes de nivellement avant vers le haut ou vers le bas pour vous assurer qu'elle ne bouge pas. Tournez les contre-écrous de chaque patte vers la base de la laveuse et serrez avec une clé anglaise.

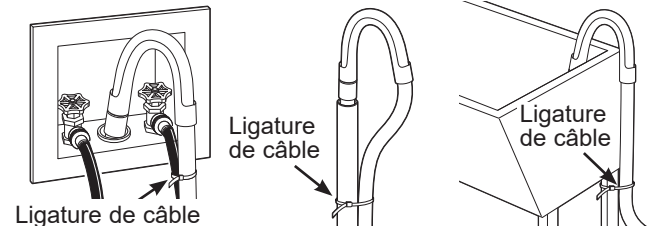


INSTALLATION DE LA LAVEUSE

NOTE : Conservez les extensions des pattes à un minimum pour empêcher les vibrations. Plus les pattes sont tirées, et plus la laveuse vibre.

Si le plancher n'est pas bien horizontal ou est endommagé, il est possible que vous deviez allonger les pattes de nivellement arrière.

8. Attachez le guide de tuyau en U à l'extrémité du tuyau de vidange. Placez le tuyau dans une cuve à lessive ou un tuyau vertical et liez-le avec la ligature de câble fournie dans le paquet.



NOTE : Placer le tuyau de vidange trop en bas du conduit d'évacuation peut causer un siphonage. Il ne doit pas y avoir plus de 18 cm de tuyau dans le conduit d'évacuation. Il doit y avoir un espace d'air autour du tuyau de vidange. Un ajustement trop serré peut causer un siphonage.

9. Branchez le cordon d'alimentation dans une prise mise à la terre.
NOTE : Vérifiez que le courant est coupé au niveau du disjoncteur ou de la boîte à fusibles avant de brancher le cordon d'alimentation à une prise.
10. Branchez le courant au niveau du disjoncteur ou de la boîte à fusibles.
11. Lisez le reste de ce Manuel du propriétaire. Il contient des renseignements précieux et utiles qui vous feront économiser du temps et de l'argent.
12. **Avant de mettre en marche la laveuse, vérifiez que tout est en ordre :**
 - L'alimentation principale de courant est branchée.
 - La laveuse est branchée à la prise.
 - Les robinets d'eau sont ouverts.
 - L'appareil est bien horizontal et les quatre pattes de nivellement reposent fermement sur le plancher.
 - La quincaillerie de soutien pour l'expédition est enlevée et mise de côté.
 - Le tuyau de vidange est bien attaché.
 - Le robinet, les rondelles et le tuyau de vidange ne fuient pas.
13. Faites marcher la laveuse pendant un cycle complet. Vérifiez qu'il n'y a aucune fuite d'eau et qu'elle fonctionne bien.
14. Si votre laveuse ne fonctionne pas, nous vous prions de consulter la section Avant d'appeler un réparateur, avant d'appeler le service.
15. Rangez ces instructions dans un emplacement proche de la laveuse pour référence future.

PIÈCES DE RECHANGE

Si vous avez besoin de pièces de rechange pour votre laveuse, vous pouvez les commander au Canada en visitant notre site web Electromenagersge.ca/fr/produits/filtres-et-accessoires ou en appelant le 800.561.3344.

Instructions d'installation

INVERSION DE L'OUVERTURE DE LA PORTE (EN OPTION SUR CERTAINS MODÈLES UNIQUEMENT)

⚠ AVERTISSEMENT

Débranchez l'appareil ou fermez son disjoncteur avant de procéder à l'entretien. Appuyer sur le bouton d'alimentation **Power** de l'appareil **NE** le déconnecte **PAS** de l'alimentation.

⚠ AVERTISSEMENT - Risque d'électrocution

Certaines pièces internes sont intentionnellement non mises à la terre et peuvent présenter un risque de choc électrique lors d'un entretien.

Personnel de réparateur – NE PAS toucher aux composants suivants lorsque l'appareil est sous tension : robinet d'eau, pompe de vidange, NTC, élément chauffant, verrou de porte, carte d'onduleur, moteur et carte MC.

OUTIL NÉCESSAIRE

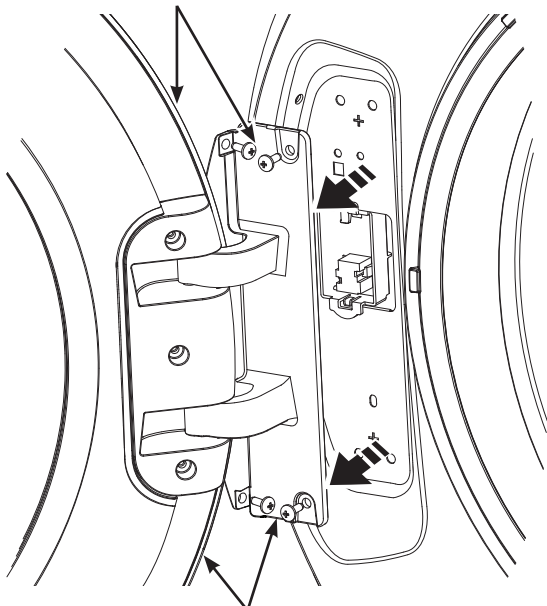
- Tournevis cruciforme



1 RETIREZ L'ASSEMBLAGE DE PORTE

- Ouvrez la porte de la laveuse.
- Tout en supportant la porte, retirer les 6 vis de la charnière sur la face de la laveuse.
- Soulevez l'assemblage de porte pour le retirer de la face de la laveuse et la mettre de côté sur une surface protectrice.

Charnière et assemblage de porte



Tenir la porte et retirer les vis de charnière de la laveuse

REMARQUES IMPORTANTES

- Manipulez les pièces avec soin afin d'éviter d'abîmer la peinture.
- Prévoyez une surface non abrasive pour les portes.
- Posez les vis à côté de leurs pièces respectives afin d'éviter de les utiliser aux mauvais endroits.
- Après avoir commencé, ne déplacez pas la sècheuse avant que l'inversion de l'ouverture de la porte n'ait été effectuée.
- Ces instructions permettent de transférer les charnières le côté gauche vers du côté droit. Si vous souhaitez les réinstaller du côté droit, veuillez suivre ces mêmes instructions et inversez toutes les références aux termes gauche et droite.

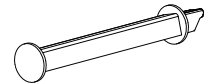
Video



Scan this code to watch a video on this topic.

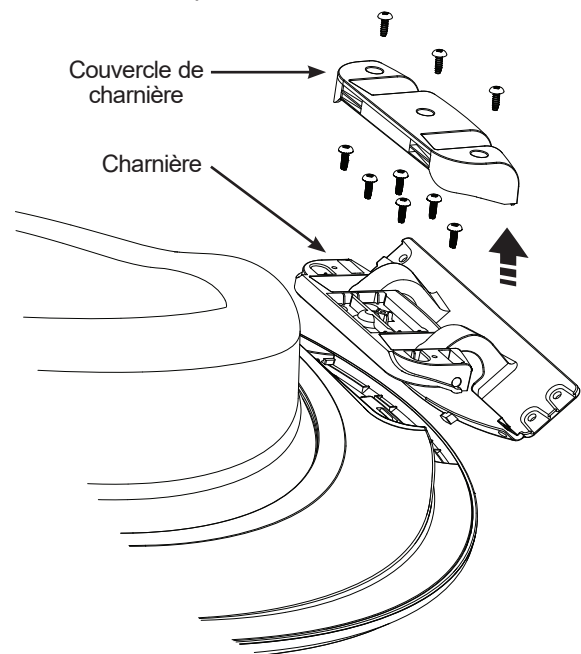
PIÈCE FOURNIE

- Barre de verrouillage



2 RETIREZ LA CHARNIÈRE DE PORTE

- Retirez les 3 vis du couvercle de charnière puis retirez le couvercle.
- Retirez les 6 vis de la charnière puis retirez la charnière de la porte.

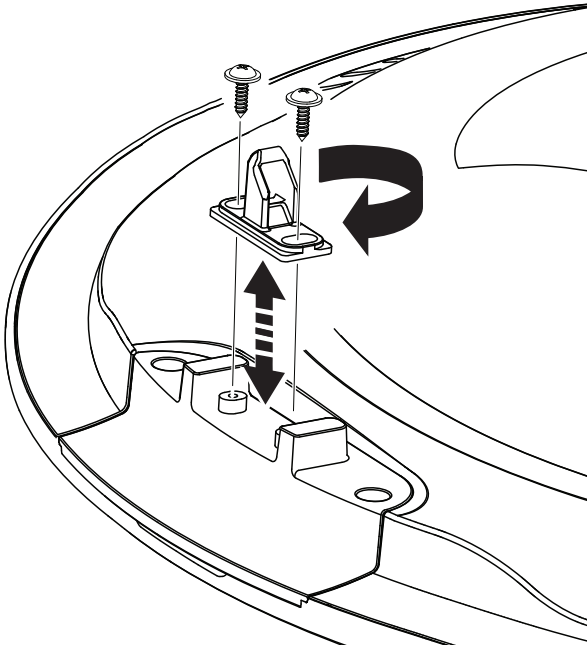


Instructions d'installation

INVERSION DE L'OUVERTURE DE LA PORTE (EN OPTION SUR CERTAINS MODÈLES UNIQUEMENT)

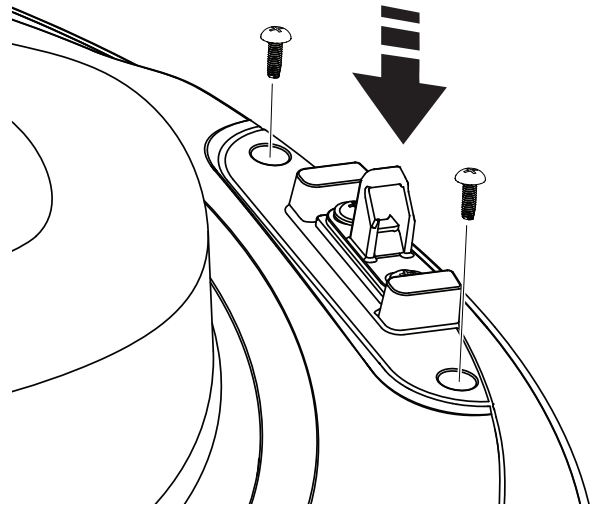
3 RETIREZ, INVERSEZ ET REPLACEZ LA GÂCHE DE PORTE

- Retirez les 2 vis de la gâche. Faites pivoter la gâche de 180° et réinstallez-la avec ses vis.



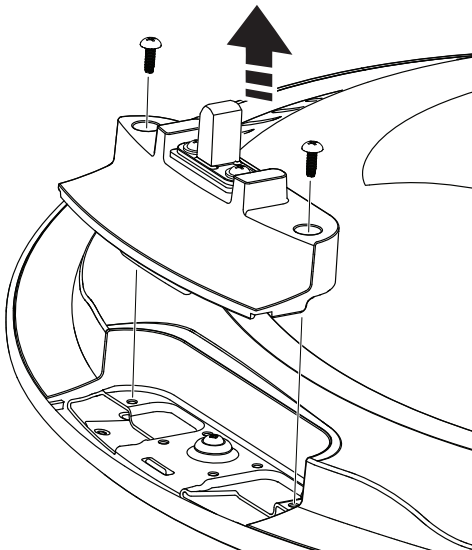
4 RETIREZ L'ASSEMBLAGE DE GÂCHE DE PORTE ET REPLACEZ-LA SUR LE CÔTÉ OPPOSÉ (SUITE)

- Faites pivoter l'assemblage de gâche et replacez-le sur le côté opposé avec ses vis.



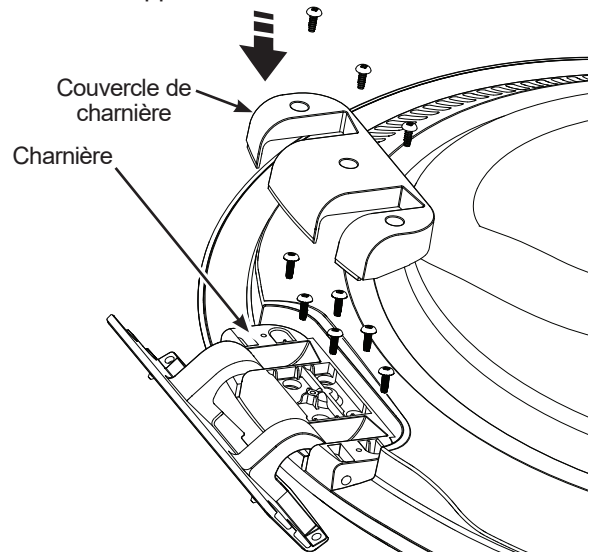
4 RETIREZ L'ASSEMBLAGE DE GÂCHE DE PORTE ET REPLACEZ-LA SUR LE CÔTÉ OPPOSÉ

- Retirez les 2 vis de l'assemblage de gâche et retirez l'assemblage en le tirant vers le centre, le poussant vers le haut puis l'extérieur.



5 REPLACEZ LA CHARNIÈRE DE PORTE ET LE COUVERCLE DE CHARNIÈRE SUR LE CÔTÉ OPPOSÉ

- Faites pivoter la charnière et replacez-la sur le côté opposé avec ses vis.
- Faites pivoter le couvercle de charnière et replacez-le sur le côté opposé avec ses vis.

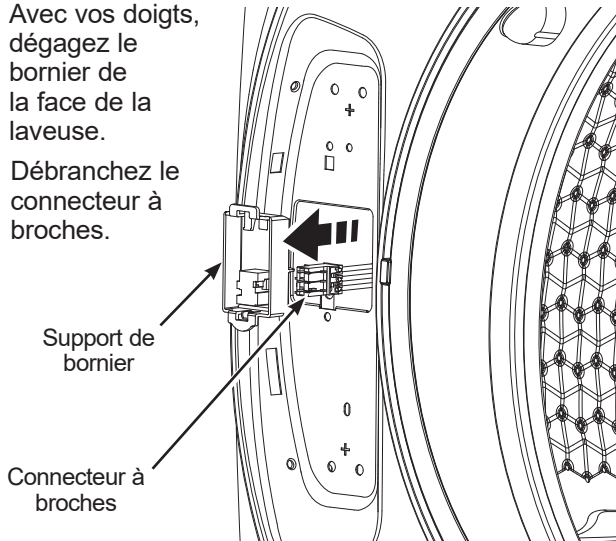


Instructions d'installation

INVERSION DE L'OUVERTURE DE LA PORTE (EN OPTION SUR CERTAINS MODÈLES UNIQUEMENT)

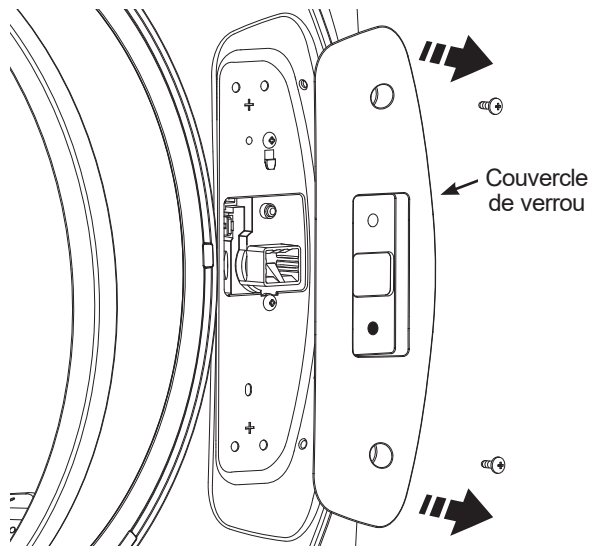
6 RETIREZ LE SUPPORT DE BORNIER ET DÉBRANCHEZ LE CONNECTEUR À BROCHES DE LA LAVEUSE

- Avec vos doigts, dégagez le bornier de la face de la laveuse.
- Débranchez le connecteur à broches.



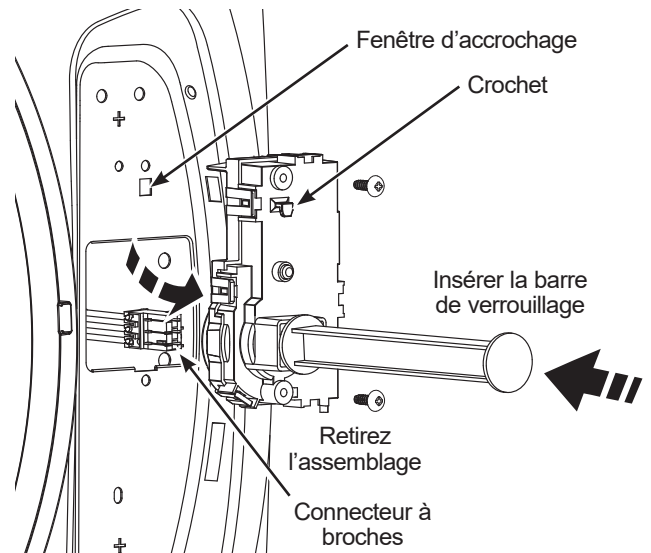
7 RETIREZ L'ASSEMBLAGE DE VERROU ET INSTALLEZ-LE SUR LE CÔTÉ OPPOSÉ DE LA LAVEUSE

- Retirez les 2 vis du couvercle de verrou puis retirez-le de la face de la laveuse.

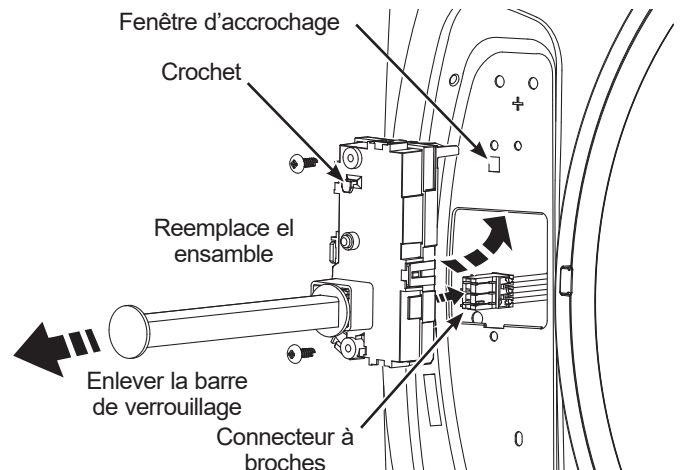


7 RETIREZ L'ASSEMBLAGE DE VERROU ET INSTALLEZ-LE SUR LE CÔTÉ OPPOSÉ DE LA LAVEUSE (SUITE)

- Insérez la barre de verrouillage fournie dans le mécanisme du verrou situé dans la face de la laveuse. Retirez l'assemblage de verrou en retirant ses deux vis; utilisez la barre de verrouillage pour soulever l'assemblage afin de le décrocher, puis inclinez et tirez-le à l'écart de la laveuse. Débranchez son connecteur à broches en décliquetant ses pattes de verrouillage.



- **NE faites PAS** pivoter l'assemblage de verrou. Déplacez-le du côté opposé de la laveuse et branchez le connecteur à broches en vous assurant qu'il s'insère à fond. Inclinez et insérez l'assemblage de verrou dans la face de la laveuse, soulevez-le et accrochez son crochet dans sa fenêtre. Réinstallez ses vis. Retirez la barre de verrouillage de l'assemblage et conservez-la pour usage ultérieur.



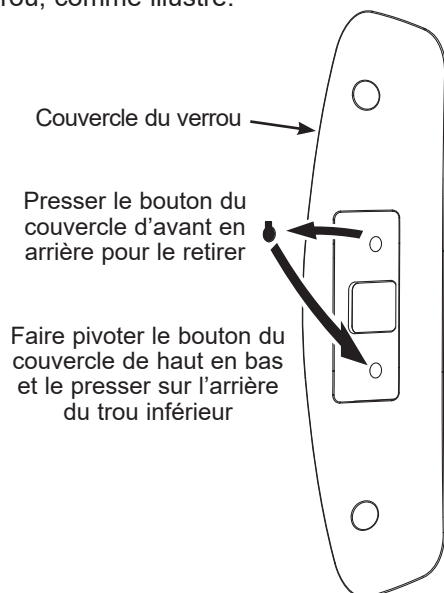
Instructions d'installation

INVERSION DE L'OUVERTURE DE LA PORTE (EN OPTION SUR CERTAINS MODÈLES UNIQUEMENT)

7 RETIREZ L'ASSEMBLAGE DE VERROU ET INSTALLEZ-LE SUR LE CÔTÉ OPPOSÉ DE LA LAVEUSE (SUITE)

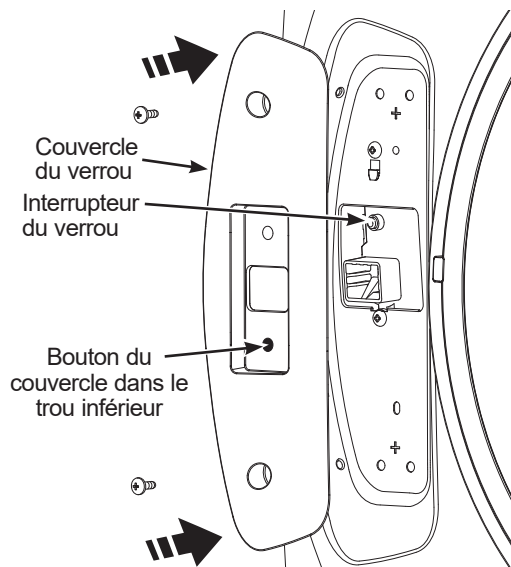
- Retirez le bouton du couvercle de l'interrupteur de verrou sur l'arrière du couvercle du verrou et replacez-le dans le trou opposé du couvercle du verrou.

REMARQUE : Le bouton du couvercle doit être réinstallé dans le trou inférieur du couvercle de verrou, comme illustré.



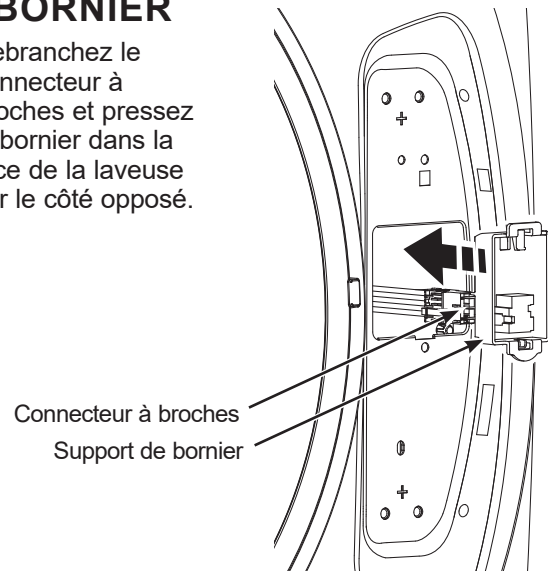
Vue du côté avant

- Installez le couvercle du verrou sur le verrou, en vous assurant que l'interrupteur du verrou bouge librement. Réinstallez ses vis.



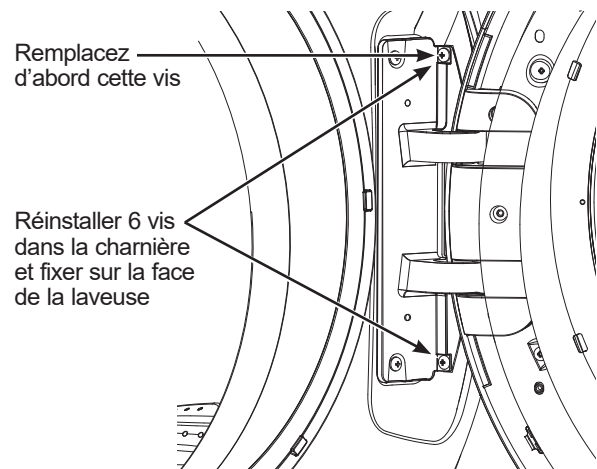
8 REBRANCHEZ LE CONNECTEUR À BROCHES DE LA LAVEUSE ET REPLACEZ LE SUPPORT DE BORNIER

- Rebranchez le connecteur à broches et pressez le bornier dans la face de la laveuse sur le côté opposé.



9 REMPLACEZ L'ASSEMBLAGE DE PORTE

- Soulevez l'assemblage de porte en place et fixez-le sur la face de la laveuse avec ses 6 vis.



- Fermez la porte de la laveuse.

REMARQUE : Assurez-vous que la porte s'ouvre et se ferme correctement. Si ce n'est pas le cas, répétez toutes les étapes en vous assurant que toutes les pièces et vis sont solidement fixées.

- Branchez le cordon d'alimentation et réenclenchez le disjoncteur.
- Faites fonctionner la laveuse durant un cycle complet pour vérifier son bon fonctionnement.

Conseils de Dépannage...Avant d'appeler un réparateur

Il est fortement recommandé de connecter votre laveuse au réseau Wi-Fi pour télécharger le dernier logiciel, recevoir des mises à jour périodiques et bénéficier de nombreuses fonctions étendues disponibles de l'application SmartHQ. De nombreuses fonctions d'intelligence artificielle pour votre laveuse nécessitent une connexion à l'application SmartHQ. Cela peut résoudre certains problèmes énumérés ci-dessous.

Problème	Causes possibles	Correctifs
Pas de vidange Pas d'essorage Pas de culbutage	La charge est déséquilibrée	Redistribuez les vêtements et faites un Rinse & Spin (Rinçage & Essorage). Augmentez la taille de la charge si vous lavez une petite charge contenant des articles légers et lourds.
	Le filtre de la pompe à eau est peut-être bouché	Reportez-vous Entretien et nettoyage pour le nettoyage du Filtre de la pompe .
	Le tuyau de vidange est tortillé ou mal connecté	Redressez le tuyau de vidange et assurez-vous que la laveuse n'est pas dessus.
	Le siphon d'évacuation de la maison peut être bouché	Vérifiez la plomberie de la maison. Vous pouvez avoir besoin d'appeler un plombier.
	Siphonage du tuyau de vidange; tuyau de vidange enfoncé trop bas dans le drain.	Assurez-vous qu'il y a un espace d'air entre le tuyau et le drain.
Fuite d'eau	Le joint de la porte est endommagé	Vérifiez si le joint est bien en place et s'il n'est pas déchiré. Les objets oubliés dans les poches peuvent endommager la laveuse (clous, vis, stylos, crayons). L'eau peut dégoutter de la porte lorsque celle-ci est ouverte. Il s'agit d'un fonctionnement normal. Essayez soigneusement le joint de porte en caoutchouc. Parfois de la saleté ou des vêtements coincés dans le joint peuvent causer une petite fuite.
	Vérifiez la présence d'eau à la partie arrière gauche de la laveuse	Si cette partie est mouillée, cela indique la présence d'un surplus de mousse savonneuse. Utilisez moins de détergent.
	Les tuyaux d'entrée de l'eau ou le tuyau de vidange ne sont pas bien branchés	Assurez-vous que les tuyaux soient bien branchés au niveau des robinets et la laveuse et assurez-vous que le tuyau de vidange soit bien inséré et fixé à l'installation de vidange.
	La vidange de la maison est peut-être bloquée	Vérifiez la plomberie de la maison. Il est possible que vous ayez besoin d'appeler un plombier.
	Distributeur colmaté	Le savon en poudre peut causer des colmatages à l'intérieur du distributeur et causer une fuite d'eau à l'avant du distributeur. Retirez le tiroir et nettoyez le tiroir et l'intérieur de la boîte de distributeur. Reportez-vous à la section Entretien et nettoyage .
	Utilisation incorrecte de détergent	Utilisez du détergent HE uniquement et en bonne quantité.
	Compartiment de distributeur fissuré	Dans le cas de nouvelle installation, recherchez les fissures sur l'intérieur du distributeur.
	Vêtements trop mouillés	Redistribuez les vêtements et faites un Rinse & Spin . Augmentez la taille de la charge si vous lavez une petite charge contenant des articles légers et lourds. La machine ralentit la vitesse d'essorage à 410 tr/min si elle a du mal à équilibrer la charge. Cette vitesse est normale.
	Le filtre de la pompe à eau est peut-être bouché	Reportez-vous Entretien et nettoyage pour le nettoyage du Filtre de la pompe .
	Surcharge	Le poids à sec de la charge doit être inférieur à 16 lbs.
	Le tuyau de vidange est tortillé ou mal connecté	Redressez le tuyau de vidange et assurez-vous que la laveuse n'est pas dessus.
	Le siphon d'évacuation de la maison peut être bouché	Vérifiez la plomberie de la maison. Vous pouvez avoir besoin d'appeler un plombier.
	Siphonage du tuyau de vidange; tuyau de vidange enfoncé trop bas dans le drain.	Assurez-vous qu'il y a un espace d'air entre le tuyau et le drain.

Conseils de Dépannage...Avant d'appeler un réparateur

Problème	Causes possibles	Correctifs
Cycle incomplet ou minuterie arrêtée	Redistribution automatique de la charge	La minuterie ajoute jusqu'à 3 minutes à un cycle pour chaque rééquilibrage. 11 ou 15 rééquilibrages peuvent être effectués. C'est un fonctionnement normal. Ne faites rien, la machine terminera le cycle de lavage.
	Le filtre de la pompe à eau est peut-être bouché	Reportez-vous Entretien et nettoyage pour le nettoyage du Filtre de la pompe .
	Le tuyau de vidange est tortillé ou mal connecté	Redressez le tuyau de vidange et assurez-vous que la laveuse n'est pas dessus.
	Le siphon d'évacuation de la maison peut être bouché	Vérifiez la plomberie de la maison. Vous pouvez avoir besoin d'appeler un plombier.
	Siphonage du tuyau de vidange; tuyau de vidange enfoncé trop bas dans le drain.	Assurez-vous qu'il y a un espace d'air entre le tuyau et le drain.
Secousses, vibrations ou bruits forts ou inhabituels	Déplacement d'armoire	La laveuse est conçue pour bouger de 6 mm pour réduire les forces transmises au sol. Ce mouvement est normal.
	Tous les pieds de mise à niveau en caoutchouc ne touchent pas fermement le sol	Poussez tirez sur l'arrière droit puis sur l'arrière gauche de la laveuse pour vérifier qu'elle est de niveau. Si elle ne l'est pas, réglez les pieds de mise à niveau en caoutchouc pour qu'ils touchent fermement le sol et qu'ils se bloquent en place.
	Charge déséquilibrée	Mettez l'appareil en pause, ouvrez la porte et redistribuez manuellement la charge. Pour inspecter la machine, exécutez un rinçage et un essorage à vide. Si tout est normal, le déséquilibre était causé par la charge.
	Le filtre de la pompe à eau est peut-être bouché	Reportez-vous Entretien et nettoyage pour le nettoyage du Filtre de la pompe .
Pas de puissance/ la laveuse ne fonctionne pas ou semble hors tension	La laveuse est débranchée	Assurez-vous que le cordon est bien branché dans une prise sous tension.
	L'arrivée d'eau est coupée	Ouvrez à fond les robinets d'eau chaude et d'eau froide
	Le disjoncteur est déclenché/le fusible a sauté	Inspectez les disjoncteurs/fusibles de la maison. Remplacez les fusibles ou réarmez le disjoncteur. La laveuse doit présenter une prise distincte.
	Vérifications automatiques du système	La première fois que la laveuse est branchée, des vérifications automatiques se produisent. Il peut être nécessaire d'attendre 20 secondes avant de pouvoir utiliser la laveuse. C'est un fonctionnement normal.
« H2O SUPPLY » apparaît sur l'afficheur	L'eau n'entre pas dans la laveuse	Consultez la section Indicateur d'aide au consommateur pour obtenir les détails.
« CANCELED » apparaît sur l'afficheur	La laveuse est en pause ou arrêtée	Consultez la section Indicateur d'aide au consommateur pour obtenir les détails.
« door » apparaît sur l'afficheur	La porte est mal fermée ou 3 cycles ont commencé sans avoir ouvert le porte entre chacun d'eux	Consultez la section Indicateur d'aide au consommateur pour obtenir les détails.
Accrocs, trous, déchirures, ou usure excessive	Surcharge	Ne dépassez pas les tailles de charge maximum recommandées Reportez-vous aux tailles de charge maximum recommandées dans la section Chargement .
	Stylos, crayons, clous, vis ou autres objets égarés dans les poches	Retirez les objets égarés dans les poches.
	Aiguilles, boutons pressions, agrafes, boutons à bord vif, boucles de ceinture, fermetures à glissière et objets à bord vif égarés dans les poches	Fermez les boutons pressions, agrafes, boutons et fermetures à glissière
Temps de contrôle incorrect ou variations	C'est normal.	Pendant l'essorage, la laveuse peut avoir besoin de rééquilibrer la charge parfois pour réduire les vibrations. Lorsque cela se produit, le temps estimé est augmenté, ce qui cause une augmentation du temps qui reste.

Conseils de Dépannage...Avant d'appeler un réparateur

Problème	Causes possibles	Correctifs
Pas assez d'eau	C'est normal.	Les laveuses horizontales ne nécessitent pas que la cuve se remplisse d'eau contrairement aux laveuses à charge par le haut
La laveuse fait une pause ou doit être redémarrée ou la porte de la laveuse est verrouillée et ne s'ouvre pas	Le filtre de la pompe à eau est peut-être bouché	Reportez-vous Entretien et nettoyage pour le nettoyage du Filtre de la pompe .
La porte se débloque ou la machine ne fonctionne pas lorsque vous appuyez sur Start	C'est normal.	Les laveuses à chargement frontal démarrent différemment de celles à chargement par le haut, et il faut plusieurs secondes pour vérifier le système. La porte se verrouille et se déverrouille
	Fonctionnement incorrect	Ouvrez et fermez simplement la porte fermement, puis appuyez sur Start (Marche).
L'eau ne rentre pas dans la laveuse ou entre lentement	Vérifications automatiques du système	Une fois Start (Marche) appuyé, la laveuse fait plusieurs vérifications du système. L'eau coule plusieurs secondes après que Start (Marche) soit appuyé
	Les tamis de vanne d'eau sont colmatés	Coupez l'arrivée d'eau et retirez les tuyaux de connexion d'eau en haut à l'arrière de la laveuse. Utilisez une brosse ou un cure-dent pour nettoyer les tamis dans la machine. Reconnectez les tuyaux et rouvrez l'arrivée d'eau.
	Les rondelles à grille de l'admission d'eau sont bloqués	Fermez l'eau et enlevez les tuyaux d'admission des robinets muraux. Utilisez une brosse ou un cure-dent pour nettoyer les rondelles à grille au bout des tuyaux. Reconnectez les tuyaux et ouvrez l'eau.
	Le filtre de la pompe à eau est peut-être bouché	Reportez-vous Entretien et nettoyage pour le nettoyage du Filtre de la pompe .
	Tuyaux de remplissage pliés	Vérifiez que les tuyaux de remplissage ne sont pas pliés ni bouchés.
	L'arrivée d'eau est coupée	Ouvrez à fond les robinets d'eau chaude et d'eau froide.
	Efficacité énergétique	Comme cette laveuse est éconergétique, ses réglages de température peuvent différer par rapport à une laveuse qui ne l'est pas.
	Alimentation d'eau insuffisante	Assurez-vous que l'alimentation d'eau est ouverte et que les robinets d'eau sont tournés à la position d'ouverture maximale.
	La porte de la laveuse est ouverte	La porte de la laveuse doit être fermée pendant tous les cycles de lavage. Si la porte est ouverte pendant un cycle de lavage, toutes les fonctions s'arrêteront, y compris le remplissage d'eau.
Raccordement de tuyaux de remplissage incorrect	Vérifiez que les tuyaux de remplissage relient l'alimentation d'eau chaude à l'entrée d'eau chaude de la laveuse et l'alimentation d'eau froide à l'entrée d'eau froide de la laveuse (chaude avec chaude, froide avec froide).	
Froissement	Tri incorrect	Évitez de mélanger des articles lourds (comme des vêtements de travail) avec des articles légers (comme des chemisiers).
	Surcharge	Chargez la laveuse pour que les vêtements aient assez de place pour bouger librement.
	Cycle de lavage incorrect	Assortissez la sélection de cycle au type de tissus que vous lavez (surtout pour les charges à entretien facile).
	Lavage répété dans de l'eau trop chaude	Lavez dans l'eau froide ou chaude.

Conseils de Dépannage...Avant d'appeler un réparateur

Problème	Causes possibles	Correctifs
Vêtements grisâtres ou jaunâtres	Pas assez de détergent	Utilisez la bonne quantité de détergent.
	Détergent utilisé pas HE (haute efficacité)	Utilisez du détergent HE uniquement.
	Eau calcaire	Utilisez l'eau la plus chaude possible pour le tissu.
		Utilisez un conditionneur d'eau comme la marque Calgon ou installez un adoucisseur d'eau.
	L'eau n'est pas assez chaude	Assurez-vous que le chauffe-eau distribue de l'eau entre 48 et 60°C.
	Le détergent ne se dissout pas ou trop grande quantité d'assouplissant	Essayez un HE détergent liquide. Utilisez moins d'assouplissant.
Transfert de colorant	Triez les vêtements par couleur. Si l'étiquette du vêtement indique de laver séparément, cela peut indiquer des colorants instables.	
Taches colorées	Utilisation incorrecte d'assouplisseur	Inspectez le sachet d'assouplisseur de tissu pour des instructions et suivez les directives d'utilisation du distributeur.
	Transfert de colorant	Séparez le blanc et les couleurs claires des couleurs foncées.
		Sortez rapidement le linge de la laveuse.
La température de l'eau est incorrecte	L'arrivée d'eau est mal connectée	Assurez-vous que les tuyaux sont connectés aux bons robinets.
	Le chauffe-eau de la maison est mal réglé	Assurez-vous que le chauffe-eau distribue de l'eau entre 48 et 60°C.
Odeur désagréable dans la laveuse	Laveuse inutilisée pendant longtemps, pas d'utilisation du détergent HE de la qualité recommandée ou utilisation d'une quantité excessive de détergent	Utilisez régulièrement ULTRAFRESH VENT entre les lavages.
		En cas d'odeur forte, vous devrez peut-être exécuter le cycle Self Clean (Autonettoyage) plus d'une fois.
		Utilisez uniquement la quantité de détergent recommandée ou réglez SmartDispense à LOW .
		Utilisez uniquement du détergent HE (haute efficacité)
		Retirez toujours rapidement les vêtements humides de la laveuse après arrêt de la machine ou utiliser 1 Step Wash + Dry ou Tumble Care .
		Si vous choisissez de ne pas utiliser le système ULTRAFRESH VENT , laissez la porte légèrement ouverte pour sécher la laveuse à l'air. Une surveillance étroite est requise pour tout appareil utilisé par des enfants ou à leur proximité. NE laissez pas les enfants jouer sur ou à l'intérieur de cet appareil.
	La présence de peluche résiduelle et d'autres matières dans le filtre de la pompe doivent être nettoyés.	Reportez-vous Entretien et nettoyage pour le nettoyage du Filtre de la pompe .
Tuyau de vidange enfoncé trop bas dans le drain	Voir la section Instructions d'installation pour une installation correcte.	
Fuite de détergent	C'est normal	Il est normal de voir le détergent fuir sur le joint de la porte environ 20 secondes après remplissage du distributeur.
Distribution incorrecte de l'assouplisseur ou de l'agent blanchissant	Distributeur colmaté	Nettoyez une fois par mois le tiroir distributeur pour retirer les dépôts de produits chimiques.
	Assouplisseur ou agent blanchissant au-dessus du trait max	Assurez-vous de mettre la bonne quantité d'assouplisseur.
Le tiroir distributeur ne distribue pas correctement	Sachet de détersif placé dans le tiroir distributeur	Les sachets de détersif ne doivent pas être utilisés dans le distributeur. Ils doivent être ajoutés directement dans le panier de lavage conformément aux directives du fabricant.
La pompe fonctionne alors que la laveuse n'est pas utilisée	Obstruction dans le drain de puisard	Ce phénomène est normal. Le puisard détecte un niveau d'eau indésirable causé probablement par un robinet ouvert. Fermez la vanne d'eau et vérifiez si elle reste bloquée. Assurez-vous que vous avez les dernières mises à jour de l'application SmartHQ pour votre laveuse.

Garantie limitée de la laveuse GE Appliances

GARANTIE LIMITÉE

www.electromenagersge.ca

Toutes les réparations sous garantie limitée seront effectuées par nos centres de réparation ou nos réparateurs autorisés. Pour planifier un service en ligne, rendez-vous sur Electromenagersge.ca/fr/soutien/demande-de-service ou appelez le **800.561.3344**. Veuillez fournir le numéro de série et le numéro de modèle lorsque vous appelez pour obtenir le service.

Pour le diagnostic, la réparation de votre appareil peut nécessiter l'utilisation du port de données embarqué. Celui-ci permet au technicien de réparation GE Appliances de diagnostiquer rapidement des problèmes avec votre appareil. Il permet également à GE Appliances d'améliorer ses produits en fournissant à ces derniers des informations sur votre appareil. Si vous ne voulez pas que les données de votre appareil soient envoyées à GE Appliances, veuillez demander à votre technicien de NE PAS soumettre les données à GE Appliances pendant la réparation.

Pendant la période de :	Nous remplacerons :
Un an À compter de la date d'achat d'origine	Toute pièce défectueuse en raison d'un vice de matériau ou de fabrication. Au cours de cette garantie limitée d'un an , nous fournirons également, sans frais , les pièces et la main-d'œuvre pour remplacer la pièce défectueuse.
Dix ans À compter de la date d'achat d'origine	Le moteur , si celui-ci se révèle défectueux en raison d'un vice de matériaux ou de fabrication. Pendant cette garantie limitée complémentaire de neuf ans , vous serez responsable des frais de main-d'œuvre et de service associés.

Ce qui n'est pas couvert :

- Toute visite à votre domicile pour vous expliquer le fonctionnement de l'appareil.
- L'installation, la livraison ou l'entretien inadéquats de l'appareil.
- Toute défectuosité du produit attribuable à une utilisation abusive ou inadéquate, s'il a été utilisé à toute autre fin que celle pour laquelle il a été conçu, ou s'il a été utilisé à des fins commerciales.
- Le remplacement des fusibles ou le réenclenchement des disjoncteurs de votre domicile.
- Les produits qui ne sont pas défectueux ou brisés, ou qui fonctionnent tel que décrit dans le Manuel de l'utilisateur.
- Tout dommage au produit attribuable à un accident, un incendie, une inondation ou une catastrophe naturelle.
- Tout dommage accessoire ou indirect, causé par des défaillances possibles de l'appareil.
- Les défectuosités ou les dommages causés par une utilisation de l'appareil à des températures situées sous le point de congélation.
- Tout dommage causé après la livraison.
- Tout produit auquel il n'est pas possible d'accéder pour effectuer les réparations nécessaires.

EXCLUSION DES GARANTIES IMPLICITES :

Votre seul et unique recours est de faire réparer le produit dans le cadre de cette garantie limitée. Toute garantie implicite, incluant la garantie de qualité marchande ou d'adaptabilité du produit à un usage particulier, est limitée à un an ou à la période la plus courte autorisée par la loi.

Cette garantie limitée est offerte à l'acheteur initial, ainsi qu'à tout propriétaire subséquent d'un produit acheté au Canada en vue d'une utilisation domestique au Canada. Si le produit se situe dans une zone où aucun réparateur agréé par GE Appliances n'est disponible, vous devrez peut-être assumer les frais de déplacement de celui-ci ou apporter le produit à un atelier de réparation agréé par GE Appliances.

Dans certains États ou province, il est interdit d'exclure ou de limiter les dommages indirects ou accessoires. Il est alors possible que les limitations ou exclusions ci-dessus ne s'appliquent pas dans votre cas. La présente garantie limitée vous confère des droits juridiques spécifiques. Vous pouvez bénéficier d'autres droits, qui varient d'un État ou d'une province à l'autre. Pour connaître les droits dont vous bénéficiez, communiquez avec le bureau des Relations avec les consommateurs de votre région ou de votre province.

Garant : MC Commercial Inc., Burlington, ON, L7R 5B6

Agrafez le reçu d'achat ici. Pour obtenir le service sous garantie, vous devrez fournir la preuve de l'achat original.

Soutien au consommateur

Site Web de GE Appliances

Vous avez une question ou vous avez besoin d'aide pour votre appareil électroménager? Visitez le site Web de GE Appliances 24 heures par jour, tous les jours de l'année! Vous pouvez aussi y trouver d'autres formidables produits GE Appliances et tirer avantage de tous nos services d'assistance en ligne. Au Canada : **ElectromenagersGE.ca/fr**.

Enregistrez votre électroménager

Enregistrez votre nouvel appareil en ligne au moment qui vous convient le mieux! L'enregistrement de votre produit dans les délais prescrits permet une meilleure communication et un service rapide, selon les modalités de votre garantie, si besoin est. Vous pouvez également envoyer par courrier la carte d'enregistrement pré-imprimée qui se trouve dans l'emballage de votre appareil.

Au Canada : **Prodsupport.mabe.ca/crm/Products/ProductRegistration.aspx**.

Service de réparation

Un service de réparation expert GE Appliances se trouve à quelques pas de chez vous. Rendez-vous sur notre site et programmez, à votre convenance, une visite de réparation à n'importe quel jour de l'année.

Au Canada : **electromenagersge.ca/fr/soutien/demande-de-service** ou composez le 800.561.3344.

Prolongation de garantie

Procurez-vous une prolongation de garantie GE Appliances et informez-vous des rabais spéciaux en vigueur pendant la durée de votre garantie. Vous pouvez vous la procurer en ligne en tout temps. Les services GE Appliances seront toujours disponibles après l'expiration de la garantie.

Au Canada : **electromenagersge.ca/fr/soutien/achat-d-une-garantie-prolongee** ou composez le 866.277.9842.

Connectivité à distance

Pour de l'assistance concernant la connectivité au réseau sans fil (pour les modèles équipés de cette fonction), visitez notre site Web au **electromenagersge.ca/fr/nouvelles-et-promotions/nouveautes/wifi-connect/** ou composez le 800.220.6899.

Pièces et accessoires

Les personnes ayant les compétences requises pour réparer elles-mêmes leurs appareils peuvent recevoir directement à la maison des pièces ou accessoires (les cartes VISA, MasterCard et Discover sont acceptées). Commandez en ligne 24 heures par jour.

Au Canada : **Electromenagersge.ca/fr/produits/filtres-et-accessoires** ou composer le 800.661.1616.

Les instructions contenues dans le présent manuel comportent des procédures que tout utilisateur peut effectuer. Les autres types de réparation doivent généralement être confiés à un technicien qualifié. Utilisez de prudence : une réparation ou un entretien mal effectués peuvent rendre l'utilisation de l'appareil dangereuse.

Communiquez avec nous

Si vous n'êtes pas satisfait du service après-vente de GE Appliances, communiquez avec nous depuis notre site Web en fournissant tous les détails dont votre numéro de téléphone, ou écrivez à :

Au Canada : Director, Consumer Relations, MC COMMERCIAL INC. | Suite 310, 1 Factory Lane | Moncton, N.B. E1C 9M3
electromenagersge.ca/fr/contactez-nous ou composez le 877.994.5366



LAVADORAS

INFORMACIÓN DE SEGURIDAD 3

USAR LA LAVADORA

Puesta en marcha5

Indicador de ayuda al consumidor14

Comunicación del Electrodoméstico14

Carga15

CUIDADO Y LIMPIEZA..... 16

INSTRUCCIONES DE INSTALACIÓN.....18

Invertir la apertura de la puerta (opcional solo en algunos modelos).....23

CONSEJOS PARA LA SOLUCIÓN DE PROBLEMAS.....27

GARANTÍA LIMITADA.....31

ATENCIÓN AL CLIENTE.....32

MANUAL DEL PROPIETARIO E INSTALACIÓN

PFW950
 GFW850
 GFW650
 GFW550
 GFW510

ESPAÑOL

Escriba aquí el número de modelo, número de serie y dirección MAC ID de los modelos con WiFi:

N.º de modelo # _____

N.º de serie # _____

MAC ID _____

Usted puede encontrarlos en una etiqueta dentro de la puerta.

GRACIAS POR HACER QUE GE APPLIANCES SEA PARTE DE SU HOGAR.

Ya sea que haya crecido usando GE Appliances, o que ésta es su primera vez, nos complace tenerlo en la familia.

Sentimos orgullo por el nivel de arte, innovación y diseño de cada uno de los electrodomésticos de GE Appliances, y creemos que usted también. Entre otras cosas, el registro de su electrodoméstico asegura que podamos entregarle información importante del producto y detalles de la garantía cuando los necesite.

Registre su electrodoméstico GE ahora a través de Internet. Sitios Web y números telefónicos útiles están disponibles en la sección de Soporte para el Consumidor de este Manual del Propietario.

También puede enviar una carta en la tarjeta de inscripción preimpresa que se incluye con el material embalado.



GE APPLIANCES

INFORMACIÓN IMPORTANTE DE SEGURIDAD

LEA TODAS LAS INSTRUCCIONES ANTES DE USAR

▲ ADVERTENCIA

Para reducir el riesgo de muerte, incendio, explosión, descargas eléctricas o lesiones sobre las personas al usar su electrodoméstico, siga las precauciones básicas, incluyendo lo siguiente

- Lea todas las instrucciones antes de usar este electrodoméstico.
- Siga todas las instrucciones y advertencias de cuidado de tejidos para evitar el derretimiento de las prendas o daños al aparato.
- **NO** lave ni seque prendas que en forma previa hayan sido secadas, lavadas, mojadas o manchadas con gasolina, solventes de limpieza en seco, u otras sustancias inflamables o explosivas, ya que despiden vapores que se podrían encender o explotar.
- **NO** agregue gasolina, solventes de limpieza en seco, u otras sustancias inflamables o explosivas al agua de lavado. Estas sustancias despiden vapores que se podrían prender fuego o explotar.
- Bajo ciertas condiciones, se podrá producir gas de hidrógeno en un sistema de agua caliente que no fue usado por 2 semanas o más. **EL GAS DE HIDRÓGENO ES UN EXPLOSIVO**. Si el sistema de agua caliente no fue usado por dicho período, antes de usar una lavadora, abra todos los grifos de agua caliente y deje que corra agua de cada uno durante varios minutos. Esto liberará cualquier gas de hidrógeno acumulado. Debido a que el gas es inflamable, **NO** fume ni use una llama abierta durante este proceso.
- **NO** permita que los niños jueguen sobre o dentro de este electrodoméstico. Cuando el electrodoméstico se use cerca de niños, será necesario supervisarlos de cerca. Antes de dejar la lavadora fuera de servicio o de deshacerse de ésta, quite la puerta o la tapa. Si no se siguen estas instrucciones, se podrá producir la muerte o lesiones personales.
- **NO** introduzca las manos en el electrodoméstico si el tambor o agitador se encuentra en movimiento a fin de evitar enredos accidentales.
- **NO** instale ni guarde este electrodoméstico donde quede expuesto a los factores climáticos.
- **NO** manipule indebidamente los controles, reparar ni reemplazar cualquier parte del electrodoméstico o realizar cualquier otro trabajo técnico, a menos que esto sea específicamente recomendado en las instrucciones de mantenimiento del usuario o en instrucciones publicadas sobre reparaciones del usuario, que entienda y para las cuales posea las destrezas necesarias.
- **NO** se trepe ni se pare sobre la unidad.
- **NO** intente usar este electrodoméstico si se encuentra dañado, funcionando mal, parcialmente desensamblado, o si tiene partes faltantes o rotas, incluyendo un cable o enchufe dañado.
- Desenchufe el electrodoméstico o apague el disyuntor antes de realizar el servicio técnico. Presionar el botón **Power** (Encendido) **NO** desconecta el encendido.
- Para acceder a las instrucciones de conexión a tierra, lea los "REQUISITOS ELÉCTRICOS" ubicados en las Instrucciones de Instalación.

Forma adecuada de descartar su electrodoméstico

- Descarte o recicle su electrodoméstico de acuerdo con las Regulaciones Federales y Locales. Comuníquese con las autoridades locales para descartar o reciclar su electrodoméstico de forma ambientalmente segura.

LEA Y GUARDE ESTAS INSTRUCCIONES

INFORMACIÓN IMPORTANTE DE SEGURIDAD LEA TODAS LAS INSTRUCCIONES ANTES DE USAR

INSTALACIÓN CORRECTA

La lavadora se debe instalar y colocar correctamente de acuerdo con las instrucciones de instalación, antes de utilizarla.

- Asegúrese de que la manguera de agua caliente esté conectada a la válvula "H" y que la manguera de agua fría esté conectada a la válvula "C".
- Instale o almacene la lavadora en un lugar donde no esté expuesta a temperaturas bajo cero ni a las inclemencias climáticas, ya que esto puede provocar daños irreversibles e invalidar la garantía.
- Conecte correctamente a tierra la lavadora de conformidad con todos los códigos y ordenanzas regulatorias. Siga la información de Instrucciones de instalación.
- Asegúrese de que la lavadora esté correctamente nivelada y que sus patas estén ajustadas de modo que la unidad se encuentre estable.
- Se recomienda una extensión opcional de la manguera de drenaje para descargas en alturas de 60" a 96".
- GE Appliances recomienda enfáticamente el uso de piezas especificadas de fábrica. A continuación se encuentra una lista de mangueras de fábrica disponibles para la compra. Estas mangueras están fabricadas y probadas para cumplir con las especificaciones de GE Appliances.
- GE Appliances recomienda enfáticamente el uso de mangueras nuevas de suministro de agua. Las mangueras se desgastan con el tiempo y deben reemplazarse cada 5 años para reducir el riesgo de fallas en las mangueras y daños provocados por el agua.
- Tenga en cuenta las opciones de reciclaje del material de embalaje de su electrodoméstico.

SECUENCIA AUTOMÁTICA DE DRENAJE

- La lavadora se vacía automáticamente cada vez que la puerta se queda abierta durante más de 15 minutos y hay agua.
- La máquina se drenará automáticamente si se deja en estado de pausa con la puerta cerrada durante más de 24 horas y hay agua presente.

CUANDO NO ESTÉ EN USO

- Cierre las llaves de paso minimizar las fugas en caso de que se produzca una rotura o grieta. Compruebe el estado de las mangueras de llenado; GE Appliances recomienda el cambio de las mangueras cada 5 años.

PIEZAS Y ACCESORIOS

Solicítelos on-line hoy mismo a GEApplianceparts.com, las 24 horas del día o por teléfono al **877.959.8688** en horario normal de trabajo.

Número de Pieza	Accesorio
WX14X10011	Mangueras para lavadora de 6 pies de acero inoxidable con codos de 90°; 2 unidades
WH49X316	Kit de extensión de manguera de desagüe para lavadora - Aprox. 44"
WX10X10011	Limpiador Tide® para lavadoras*
PM7X2	Bandeja de piso para lavadora de escala reducida universal
GFA28KITN	Kit de Soporte para Apilar (para apilar la secadora en la parte superior)
GFP1528S	Pedestal de 28" de ancho con cajón – Blanco
GFP1528P	Pedestal de 28" de ancho con cajón – Colores
GFR0728S	Elevador de 28" de ancho sin cajón – Blanco
GFR0728P	Elevador de 28 "de ancho sin cajón – Colores

*Tide® es una marca registrada de Procter & Gamble.

LEA Y GUARDE ESTAS INSTRUCCIONES

Puesta en Marcha

⚠ ADVERTENCIA Para reducir el riesgo de incendios, descargas eléctricas o heridas, lea las **INFORMACIÓN IMPORTANTE DE SEGURIDAD** antes de utilizar este electrodoméstico.

Es posible que las funciones y apariencias varíen con relación a su modelo a lo largo del manual.

Inicio rápido:

Paso 1

Cargue la ropa en la lavadora y cierre la puerta.



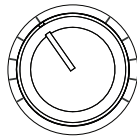
Paso 2

Si la pantalla se encuentra oscura, presione el botón Power (encendido/apagado) o gire la perilla para “despertar” la pantalla.



Paso 3

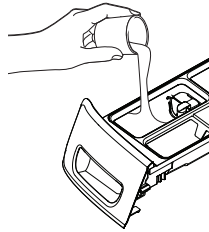
Gire la perilla hasta el ciclo deseado.



(Las opciones de los ciclos varían de acuerdo al modelo)

Paso 4

Abra el dispensador y agregue detergente, blanqueador y suavizante para tela, según lo desee. Los modelos con SmartDispense™ sólo requieren que seleccione la tecla SmartDispense (Dispensado Inteligente) una vez que el tanque se encuentre lleno.



Paso 5

Presione Start (Inicio) para comenzar el ciclo de lavado.

La máquina pesará la ropa y agregará la cantidad de agua correspondiente. Una vez finalizado el ciclo de lavado, la puerta se destrabará.



Paso 6 (en algunos modelos)

Una vez completado el ciclo de lavado y que la ropa haya sido descargada, seleccione **ULTRAFRESH VENT™** para ayudar a eliminar el exceso de humedad en su lavadora, de modo que pueda cerrar la puerta.



Pantalla y las luces de estatus

(Las características y apariencia variarán)



En algunos modelos, presione para “activar” la pantalla. Si la pantalla está activa, púlselo para poner la lavadora en modo de espera.

NOTA: El tiempo del ciclo es afectado por el tiempo que toma llenar la lavadora. Esto depende de la presión del agua en su hogar. El temporizador “inteligente” “registra” la cantidad de tiempo que tarda en llenarse la lavadora y ajusta el tiempo total de forma consecuente.

En algunos modelos, si un problema de desbalance es detectado por la lavadora, la luz de **Spin** de estado de centrifugado o luz de **Spin** selección de opción de centrifugado titilará durante la parte restante del ciclo y permanecerá iluminada durante un período de tiempo corto luego de que se complete el ciclo. Cuando esto sucede, la lavadora está realizando acciones para corregir el problema de desbalance y completar el ciclo normalmente. En algunos casos, es posible que la lavadora no logre equilibrar la carga y que gire a toda velocidad. Si observa que la carga está más mojada que lo habitual al finalizar el ciclo, redistribuya la carga de forma pareja en el tubo de la lavadora y haga correr un ciclo de **Rinse & Spin** (Enjuague & Centrifugado).

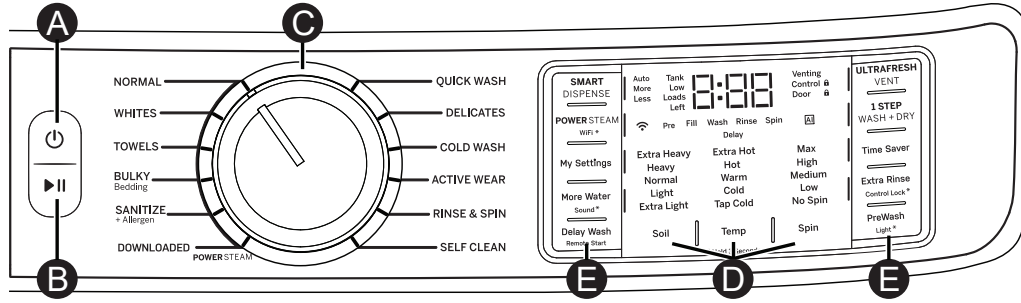
Además, esta pantalla mostrará:

(WiFi) (en algunos modelos)	Permitirá a tu aparato comunicarse con su teléfono celular por control remoto y recibir notificaciones. Permanecerá encendido siempre que la lavadora esté encendida y que éste sea conectado. Parpadeará durante el proceso de puesta en marcha o si pierde conexión con la red.
Venting (en algunos modelos)	La ventilación parpadeará para indicar que usted seleccionó la función ULTRAFRESH VENT (Ventilación Ultra Fresca) al final del ciclo. Luego permanecerá iluminada una vez seleccionada hasta haber completado la ventilación.
Control	Los controles de la lavadora están bloqueados cuando esté ícono se ilumina. Se deberá mantener presionada la tecla Control Lock (Bloqueo del Control) para desbloquear los controles.
Door	Este ícono se iluminará mientras la puerta es bloqueada y parpadeará mientras la lavadora se encuentre en el proceso de pausa y luego de desbloqueo.
(en algunos modelos)	Este ícono se iluminará cuando las funciones de Smart AI (Inteligencia Artificial Inteligente) de la lavadora estén activas.
Auto, More, Less (en algunos modelos)	SmartDispense (Dispensado Inteligente) agregará una dosis de detergente de forma automática, de acuerdo con el peso y el nivel de suciedad de la ropa. Usted puede ajustar esta función para una dosis de un MÁS o un MENOS de detergente o para APAGAR de forma manual la dosis de detergente.
Tank Low (en algunos modelos)	Se exhibirá cuando sea necesario volver a llenar el tanque del dispensador inteligente. Típicamente, las primeras luces se encienden cuando hay aproximadamente entre 8 y 10 cargas de detergente restantes.
Loads Left (en algunos modelos)	Exhibe el número estimado de cargas de lavado restantes en relación a la cantidad de detergente que hay en el tanque del dispensador inteligente.
Delay (en algunos modelos)	Al seleccionar un inicio con retraso de su lavadora, esto será indicado por una luz junto a la tecla o con la palabra “Delay” (Retraso) en el centro de la ventana de opciones. La pantalla también mostrará la cuenta regresiva en horas hasta que el ciclo comience.

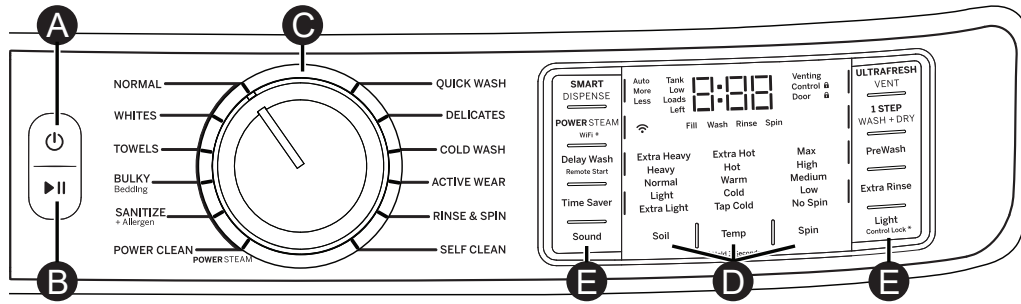
Puesta en Marcha

Las características y apariencia variarán.

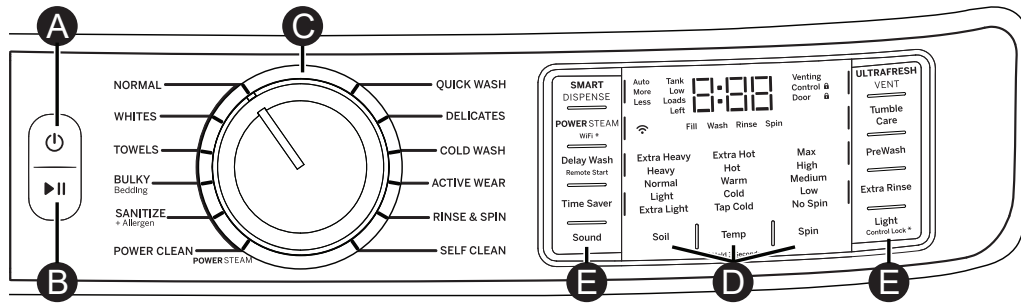
Modelo:
PFW950



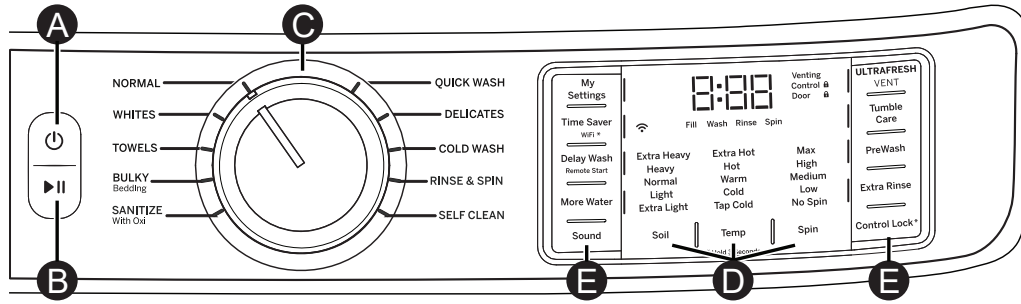
Modelo:
GFW850



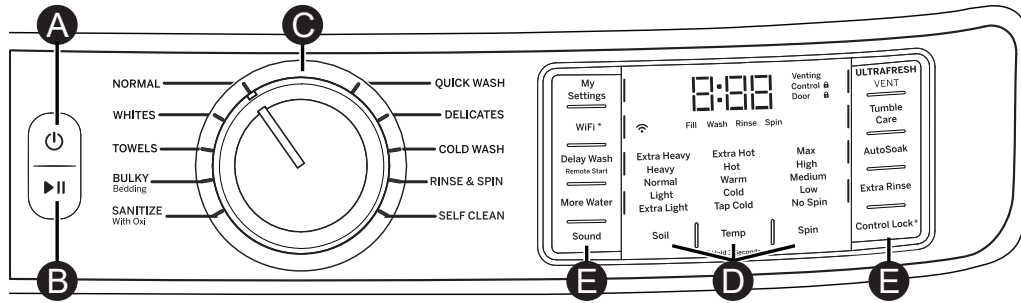
Modelo:
GFW650



Modelo:
GFW550



Modelo:
GFW510



Puesta en Marcha

A Power (Encendido/Apagado)

Presione para “activar” la pantalla. Si la pantalla está activa, púselo para poner la lavadora en modo de espera “Off” (Apagado).
NOTA: Presionar **Power** (Encendido) no desconecta el electrodoméstico del suministro de corriente.

B Start and Pause (Inicio y Pausa)

Pulse este botón para iniciar un ciclo de lavado. Si la lavadora está en funcionamiento, al pulsarlo una vez, la lavadora se detendrá y se desbloqueará la puerta. La puerta tardará unos segundos en destrabarse después de presionar **Pause** (Pausa). Vuelva a pulsar el botón para reiniciar el ciclo de lavado.

NOTA: Si la lavadora está detenida y el ciclo no se reinicia en 15 minutos, se cancelará el ciclo de lavado actual.

NOTA: La lavadora realiza revisiones automáticas del sistema después de presionar el botón **Start** (Inicio). El flujo de agua se iniciará en 45 segundos o antes. Podrá escuchar la puerta al trabarse y destrabarse y la bomba se activa antes de que comience a fluir el agua.

C Ciclos de lavado

Los ciclos de lavado se han optimizado para tipos específicos de cargas de lavado. El siguiente cuadro le ayudará a encontrar la mejor combinación entre las prendas que serán lavadas y las mejores configuraciones de ciclos de lavado. Para un rendimiento óptimo, seleccione el ciclo más conveniente para las prendas que serán lavadas. Las selecciones y opciones en **negrita** son configuraciones sugeridos para ese ciclo. **Delay Wash/Remote Start** está disponible en todos los ciclos.

Ciclo de Lavado	Ítems a Lavar	Nivel de Suciedad	Temperatura de Lavado	Selección de Giro	Opción disponible
Normal	Ciclo de uso normal, regular o típico para lavar hasta una carga completa de ropa de algodón con un nivel de suciedad normal.	Extra Pesada Pesada Normal Liviana Extra Liviana	Extra Caliente Caliente Tibia Fría Ligeramente Fría	Max Alto Medio	Prelavado* o RemojoAuto.* Energía de Vapor* Ahorro de Tiempo* Enjuague Adicional Cuidado en el Giro* o 1 Step Wash + Dry*
Blancos	Blancos y ropa de casa.	Extra Pesada Pesada Normal Liviana Extra Liviana	Extra Caliente Caliente Tibia Fría Ligeramente Fría	Max Alto Medio Bajo	Prelavado* o RemojoAuto.* Energía de Vapor* Ahorro de Tiempo* Mas agua* Enjuague Adicional Cuidado en el Giro* o 1 Step Wash + Dry*
Toallas	Toallas, sábanas, fundas de almohadas y paños de cocina.	Extra Pesada Pesada Normal Liviana Extra Liviana	Caliente Tibia Fría Ligeramente Fría	Max Alto Medio Bajo	Prelavado* o RemojoAuto.* Energía de Vapor* Ahorro de Tiempo* Mas agua* Enjuague Adicional Cuidado en el Giro* o 1 Step Wash + Dry*
Ropa de Cama Voluminosa	Abrigos de cama grandes, colchas, fundas de colchones, bolsas de dormir e ítems voluminosos similares.	Extra Pesada Pesada Normal Liviana Extra Liviana	Caliente Tibia Fría Ligeramente Fría	Max Alto Medio Bajo	Prelavado* o RemojoAuto.* Energía de Vapor* Ahorro de Tiempo* Mas agua* Enjuague Adicional Cuidado en el Giro* o 1 Step Wash + Dry*
Desinfección + Alérgeno*	Ítems que no destiñen que se encuentran muy sucios y es necesario desinfectarlos.	Extra Pesada Pesada	Extra Caliente	Max Alto Medio Bajo	Prelavado Energía de Vapor* Enjuague Adicional Cuidado en el Giro* o 1 Step Wash + Dry*
Desinfectar con Oxi*	Ítems que no destiñen y que al encontrarse muy sucios es necesario desinfectarlos.	Extra Pesada Pesada	Extra Caliente	Max Alto Medio Bajo	Prelavado o Lavado Automático Energía de Vapor Enjuague Adicional Lavado Retrasado Cuidado en el Giro

*Es posible que algunos ciclos y opciones no estén disponibles en algunos modelos.

Puesta en Marcha

🌀 Ciclos de lavado - Continuado

Los ciclos de lavado se han optimizado para tipos específicos de cargas de lavado. El siguiente cuadro le ayudará a encontrar la mejor combinación entre las prendas que serán lavadas y las mejores configuraciones de ciclos de lavado. Para un rendimiento óptimo, seleccione el ciclo más conveniente para las prendas que serán lavadas. Las selecciones y opciones en **negrita** son configuraciones sugeridas para ese ciclo. **Delay Wash/Remote Start** está disponible en todos los ciclos.

Ciclo de Lavado	Ítems a Lavar	Nivel de Suciedad	Temperatura de Lavado	Selección de Giro	Opción disponible
Limpieza Potente*	Para prendas con mucha suciedad que requieren una limpieza adicional y con mayor potencia.	Extra Pesada Pesada Normal	Extra Caliente Caliente Tibia Fría Ligeramente Fría	Max Alto Medio Bajo	Prelavado Energía de Vapor Enjuague Adicional Cuidado en el Giro* o 1 Step Wash + Dry*
Tarea pesada*	Para lavar prendas resistentes que no destiñen y que se encuentren muy sucias utilizando los movimientos de lavado y enjuague extendidos para contar con limpieza adicional.	Extra Pesada Pesada Normal Liviana	Caliente Tibia Fría Ligeramente Fría	Max Medio Bajo	RemojoAuto. Mas agua* Lavado retrasado Enjuague Adicional Cuidado en el Giro
Lavado Rápido	Para pequeñas cantidades de prendas con poca suciedad que se necesitan de forma rápida.	Normal Liviana Extra Liviana	Caliente Tibia Fría Ligeramente Fría	Max Alto Medio Bajo	Mas agua* Enjuague Adicional Cuidado en el Giro* o 1 Step Wash + Dry*
Prendas Delicadas	Lencería y telas que requieren cuidado especial con poca suciedad.	Normal Liviana Extra Liviana	Tibia Fría Ligeramente Fría	Medio Bajo Sin Giro	Prelavado* o RemojoAuto.* Ahorro de Tiempo* Mas agua* Enjuague Adicional Cuidado en el Giro* o 1 Step Wash + Dry*
Lavado en Frío	Ciclo de uso normal, regular o típico para lavar hasta una carga completa de ropa de algodón con un nivel de suciedad normal sólo con agua fría.	Extra Pesada Pesada Normal Liviana Extra Liviana	Fría Ligeramente Fría	Max Alto Medio Bajo	Prelavado* o RemojoAuto.* Mas agua* Enjuague Adicional Cuidado en el Giro* o 1 Step Wash + Dry*
Ropa Deportiva*	Ropa de uso atlético con suciedad entre media y leve de textiles técnicos o sintéticos.	Extra Pesada Pesada Normal Liviana Extra Liviana	Tibia Fría Ligeramente Fría	Medio Bajo Sin Giro	Prelavado Ahorro de Tiempo Enjuague Adicional Cuidado en el Giro* o 1 Step Wash + Dry*
Enjuagar y Girar	Para ítems que sólo necesitan enjuague use este ciclo. Para activar un ciclo de Drain & Spin (Drenaje y Centrifugado), deseccione la opción Extra Rinse (Enjuague Adicional).			Max Alto Medio Bajo Sin Giro	Mas agua* Enjuague Adicional Cuidado en el Giro* o 1 Step Wash + Dry*
Downloaded	Use la aplicación SmartHQ para descargar un ciclo especializado para su lavadora, tales como Jeans (Jeans) y Swimwear (Trajes de Baño).				
Limpieza Automática	Limpieza de residuos y olores de la canasta No se deberá usar este ciclo para lavar ropa.			Medio	

*Es posible que algunos ciclos y opciones no estén disponibles en algunos modelos.

NOTAS:

Las temperaturas del agua del ciclo **Sanitize + Allergen** (Desinfectar + Alérgenos) NO PUEDEN ser modificadas. Este ciclo utiliza una temperatura elevada del agua y un ciclo de lavado más prolongado, a fin de matar ácaros del polvo y reducir el 99% de las bacterias que comúnmente están presentes en las telas. Se incorporó una purga de la bomba y un enjuague prolongado con el propósito de eliminar contaminantes y alérgenos, tales como la caspa de mascotas.

Las temperaturas del agua del ciclo **Sanitize With Oxi** (Desinfectar con Oxi) NO PUEDEN ser modificadas. Este ciclo, cuando es usado con un aditivo de Oxi junto con su detergente, fue diseñado para eliminar el 99% de las bacterias encontradas en la lavandería hogareña. Mida el detergente y los productos de Oxi cuidadosamente. Al usar las cantidades adecuadas para una carga grande y con mucha suciedad en lavadoras de carga frontal, siga las instrucciones de las etiquetas del detergente y del producto de Oxi. La conexión del suministro de agua caliente de la lavadora deberá brindar un mínimo de 120°F para asegurar la efectividad de este ciclo.

Sólo los ciclos **SANITIZE + Allergen** (Desinfectar + Alérgeno) y **SANITIZE With Oxi** (Desinfectar con Oxi) fueron diseñados para reunir los requisitos de efectividad sobre la desinfección.

Puesta en Marcha

D Configuraciones

Configuraciones individuales para el nivel de suciedad (**Level**), temperatura de agua (**Temp**) y Velocidad de centrifugado (**Spin**) se pueden configurar desde el mínimo al máximo. En general, cuanto más arriba en la columna, más energía se usará.

Soil (Suciedad)

Al cambiar el **Soil level** (Nivel de suciedad), aumenta o disminuye el tiempo de lavado con el fin de eliminar las distintas cantidades de suciedad.

Para cambiar el **Soil level** (Nivel de suciedad), pulse el botón **Soil level** (Nivel de suciedad) hasta obtener el valor deseado. Puede elegir entre los niveles de suciedad Extra Light (Muy poca), Light (Poca), Normal o Heavy (Mucha) en la mayoría de los ciclos.

Temp (Temperatura)

Ajuste este control para seleccionar la temperatura del agua adecuada para el ciclo de lavado. El agua de **AutoSoak** (Remojo Automático) y **PreWash** (Prelavado) enjuagado está siempre fría para poder reducir el consumo de energía y las manchas y arrugas. Siga las indicaciones de la etiqueta de cuidado del fabricante del tejido al seleccionar la temperatura de lavado.

Para cambiar la temperatura de lavado, pulse el botón **Temp** (Temperatura) hasta obtener el valor deseado. Puede elegirse entre Tap Cold (frío de grifo), Cold (frío), Warm (tibio), Hot (caliente) o Extra Hot (Muy caliente) en la mayoría de los ciclos. Por diseño, a fin de proteger las telas, no todas las temperaturas de lavado están disponibles para ciertos ciclos de lavado. El calentador interno permite temperaturas Extra Calientes en aquellos modelos equipados con capacidades de Vapor.

NOTA: Los 10 primeros segundos de la toma de agua, siempre está fría. Esta función permite acondicionar el tejido y evitar que las manchas se adhieran a las prendas.

Spin (Centrifugado)

Al cambiar la **Spin** (Velocidad de centrifugado), cambia la velocidad final de centrifugado de los ciclos. Siga siempre las indicaciones de la etiqueta de cuidado del fabricante de la prenda al cambiar la **Spin** (Velocidad de centrifugado).

Para cambiar la **Spin** (Velocidad de centrifugado), pulse el botón **Spin** (Velocidad de centrifugado) hasta obtener el valor deseado. Puede elegirse entre No Spin (sin centrifugado), Low (bajo), Medium (medio), High (alto) o Max. Las velocidades de centrifugado más rápidas no están disponibles en determinados ciclos, como **Delicates** (Delicadas) o **Active Wear** (Ropa Deportiva). Con dichas velocidades, se elimina más agua de las prendas y se reduce el tiempo de secado, aunque también puede aumentar la posibilidad de que se formen arrugas en algunos tejidos.

NOTA: Esta lavadora cuenta con un sistema **dBt™ (Tecnología de Equilibrio Dinámico)**. Esta tecnología de sensor patentado e incorporado permite un equilibrio en tiempo real del ciclo de giro para cada lavado, ahorrando tiempo y brindando un lavado suave. Esto debería permitir tiempos de lavado más consistentes y una reducción general de ruido y vibraciones. Si la lavadora experimenta cualquier ruido, vibración o temblor excesivos, simplemente Pause la lavadora, abra la puerta, y de forma manual redistribuya la carga antes de reiniciar el ciclo.

E Opciones

SMARTDISPENSE (Dispensado inteligente) (en algunos modelos)

Cuando sea seleccionada, de forma automática esta función agregará detergente al lavado, eliminando la necesidad de agregar detergente a cada carga. Vea la sección **SmartDispense** para más detalles.

My Settings (Mis configuraciones) (en algunos modelos)

Para guardar sus configuraciones favoritas para un ciclo específico, configure las opciones deseadas de los niveles de las funciones Soil (Suciedad), Spin (Centrifugado) y Temp (Temperatura), Extra Rinse (Enjuague Adicional) y otras configuraciones. Mantenga presionada la tecla **My Settings** (Mis Configuraciones) durante 3 segundos. Sonará un pitido que indicará que las selecciones para este ciclo fueron guardadas. Usted puede elegir crear **My Settings** (Mis Configuraciones) para otros ciclos.

POWER STEAM (Energía de vapor) (en algunos modelos)

Power Steam (Energía de Vapor) le agrega vapor a la lavadora antes de que comience el ciclo de lavado como ayuda para aflojar manchas en los ciclos **NORMAL (Normal)**, **WHITES (Blancos)** **TOWELS (Toallas)**, **BULKY Bedding (Ropa de Cama Voluminosa)**, **SANITIZE+Allergen (Desinfectar + Alérgeno)** y **POWER CLEAN (Limpieza Potente)**.

Para usar:

1. Presione la tecla **Power (Encendido)** para “despertar” la lavadora y seleccione un ciclo de lavado.
2. Presione la tecla **POWER STEAM (Energía de Vapor)** para activar el vapor.
3. Presione la tecla **Start/ Pause (Iniciar/ Pausar)**.

WiFi (puede ser una tecla compartida con otras opciones)

Mantenga presionada la **WiFi**, **POWER STEAM/WiFi*** or **Time Save/WiFi*** durante 3 segundos para activar esta función. Para acceder a más detalles sobre cómo iniciar la conexión WiFi, consulte la sección de Conexión WiFi.

Puesta en Marcha

E Opciones - Continué

Delay Wash (Retrasar lavar)/Remote Start (Inicio Remoto)

Usted puede retrasar el inicio de un ciclo de lavado hasta durante 24 horas o iniciar la lavadora de forma remota usando la función **Delay Wash/Remote Start** (Retraso del Lavado/ Inicio Remoto). Presione la tecla para cambiar por horas o mantenga presionada la tecla **Delay Wash** (Lavado con Retraso) para configurar la cantidad de tiempo que desea retrasar el inicio del ciclo de lavado. Si conectó su lavadora al WiFi, la primera selección, "AP" (Aplicación), puede ser realizada para activar el inicio remoto de su lavadora desde la aplicación de teléfono inteligente GE Appliance. O, si seleccionó un tiempo de retraso en horas, la máquina realizará la cuenta regresiva y comenzará de forma automática luego de este período. Presione la tecla **Start** (Iniciar) una vez que haya configurado la función **Delay Wash** (Lavado con Retraso) hasta la configuración apropiada, a fin de activar esta función. Para cancelar esta opción, simplemente apague y encienda los controles.

NOTA: Si olvida cerrar por completo la puerta, sonará una señal para recordárselo.

NOTA: Si abre la puerta durante la cuenta regresiva, la lavadora entrará en estado de pausa. Debe cerrar la puerta y pulsar de nuevo **Start** (Iniciar) para reiniciar la cuenta regresiva.

Time Saver (Ahorro de Tiempo) (en algunos modelos)

Esta opción reduce el tiempo total del ciclo de lavado mediante la optimización del lavado, enjuague y centrifugado y / o suavemente levantando el la temperatura de lavado para conseguir ropa limpiada más rápido. Esta opción está disponible en los ciclos **NORMAL** (Normal), **WHITES** (Blanca), **TOWELS** (Toallas), **DELICATES** (Delicadas), **BULKY Bedding** (Prendas Voluminosas) and **ACTIVE WEAR** (Ropa Informal). El tiempo total de lavado puede variar en función del ciclo elegido y las opciones seleccionadas.

Para usar:

1. Presione el encendido y seleccione un ciclo de lavado que posea **Time Saver** (Ahorro de Tiempo) como opción.
2. Presione el botón **Time Saver** (Ahorro de Tiempo) para reducir el tiempo total de lavado.
3. Presione el botón **Start/Pause** (Iniciar/Pausar).

More Water (Más Agua) (en algunos modelos)

Esta opción añade aproximadamente 3 galones a las partes de lavado y enjuague del ciclo. Si la opción es seleccionada antes del inicio del ciclo, el agua será agregada desde el comienzo del ciclo del lavado y más tarde en el enjuague. Si la opción es seleccionada durante la parte del lavado, se agregará más agua en este punto y luego en el enjuague.

Asimismo, si se selecciona la opción **More Water** (Más Agua) una vez que se haya completado la parte del lavado, la lavadora agregará más agua al enjuague únicamente. Si se completó el lavado y el enjuague, la tecla **More Water** (Más Agua) ya no estará activa.

ULTRAFRESH VENT System with ODORBLOCK™ (Ventilación Ultra Fresca Sistema con ODORBLOCK™) (solo en modelos GE Appliances y Profile)

El Sistema ULTRAFRESH VENT (Ventilación Ultra Fresca) con OdorBlock fue diseñada para eliminar el exceso de humedad de la lavadora luego de un ciclo de lavado, a fin de evitar que se produzcan olores. Esta lavadora fue diseñada para drenar agua al final del ciclo de forma más efectiva. Luego del ciclo de lavado, el usuario podrá entonces elegir dejar la puerta abierta o seleccionar la función ULTRAFRESH VENT (Ventilación Ultra Fresca) como ayuda para secar la canasta y otras áreas de la lavadora. El sistema OdorBlock cuenta con múltiples componentes, que son fabricados con tecnología antimicrobial Microban®. *Microban es una tecnología antimicrobial segura y efectiva que durará toda la vida útil de su lavadora. Para más información, por favor visite www.microban.com/geappliances.

La función ULTRAFRESH VENT (Ventilación Ultra Fresca) estará disponible una vez que se haya completado el ciclo de lavado y se haya retirado la ropa limpia. Una vez cerrada la puerta, se emitirá un tono de notificación y la tecla con LED **ULTRAFRESH VENT** (Ventilación Ultra Fresca) parpadeará. Al presionar esta tecla, se iniciará la función ULTRAFRESH VENT (Ventilación Ultra Fresca).

Para seleccionar ULTRAFRESH VENT (Ventilación Ultra Fresca) en cualquier otro punto, encienda la lavadora, asegúrese de que el ciclo no esté funcionando de forma activa, y retire cualquier prenda de la canasta, luego presione y libere la tecla **ULTRAFRESH VENT** (Ventilación Ultra Fresca), de modo que el tono de notificación suene y la tecla LED **ULTRAFRESH VENT** (Ventilación Ultra Fresca) comience a parpadear. Luego presione la tecla **ULTRAFRESH VENT** (Ventilación Ultra Fresca) nuevamente para iniciar dicha función. Durante el funcionamiento de ULTRAFRESH VENT (Ventilación Ultra Fresca), la puerta permanecerá bloqueada y la lavadora girará de forma intermitente en velocidades bajas hasta durante 8 horas. Los modelos Profile utilizan un sensor para determinar el tiempo de finalización.



Si se detectan prendas en la canasta durante la función ULTRAFRESH VENT (Ventilación Ultra Fresca), la lavadora activará en cambio **TUMBLE CARE** (Cuidado en el Giro) o **1 STEP WASH + DRY** (Lavado + Secado en 1 Paso), dependiendo de la opción disponible para su modelo.

La función **ULTRAFRESH VENT** (Ventilación Ultra Fresca) podrá ser cancelada en cualquier momento presionando la tecla **POWER** (Encendido), girando la perilla de ciclo, o presionando la tecla **ULTRAFRESH VENT** (Ventilación Ultra Fresca).

Aplicación SmartHQ Activada

Existen varias opciones que brindan soporte para su lavadora conectada a WiFi disponibles a través de la Aplicación SmartHQ. Esta Aplicación no sólo le permite recibir actualizaciones por aire (OTA) y actualizaciones del software de su lavadora, sino que desbloquea funciones especiales de su lavadora. Entre estas funciones se encuentran **Adaptive SmartDispense** (Dispensado Inteligente con Tecnología Adaptativa), **Adaptive My Settings** (Mis Configuraciones con Tecnología Adaptativa) y **Stain Removal Guide** (Guía de Eliminación de Manchas).

*Microban® es una marca registrada de Microban International, Ltd.

Puesta en Marcha

E Opciones - Continué

1 STEP WASH + DRY (Lavado - secado en 1 paso) (en algunos modelos)

Esta opción está disponible en todos los ciclos, excepto **Self Clean** (Autolimpieza).

La función **1 STEP WASH + DRY (Lavado + Secado en 1 Paso)** es usada para cargas pequeñas únicamente. Use esta función cuando necesite que la ropa sea lavada, secada y esté lista para su uso a la mañana siguiente. Esta función hará girar la ropa e introducirá una corriente de aire constante en el compartimiento de la lavadora luego de completar ciclos de lavado selectos. Aunque la parte del secado está configurada en 8 horas, la ropa se podrá retirar en cualquier momento presionando **Pause** (Pausa) o **Power** (Encendido) para cancelar el ciclo.

Tumble Care (Cuidado por agitacion) (en algunos modelos)

Hace girar sus prendas de forma periódica para que se mantengan frescas hasta durante 8 horas, hasta que el ciclo de lavado se haya completado, a fin de reducir el nivel de arrugas y pliegues cuando no pueda mover la ropa a la secadora de forma inmediata.

Al final del ciclo, en la pantalla aparecerá "END" (Fin), y luego de diez minutos se iniciará la función **Tumble Care** (Cuidado por agitacion). Se puede detener en cualquier momento, presionando el botón **Power** (Encendido).

PreWash (Prelavado) (en algunos modelos)

El prelavado es un lavado adicional que se realiza antes del lavado principal. Utilícelo con prendas muy sucias o con aquellas prendas en cuyas etiquetas de cuidado se recomienda realizar un prelavado. Asegúrese de añadir detergente de alta eficacia líquido o en polvo o la sustancia de lavado correspondiente en la cubeta de prelavado. Las lavadoras equipadas con **SmartDispense** (Dispensado Inteligente) agregarán de forma automática la cantidad apropiada de detergente para lavado previo en base al tamaño de la carga.

PreWash (Prelavado) se debe de seleccionar antes de presionar **Start** (Iniciar).

La característica de **PreWash** (Prelavado) llenará la lavadora (agregando el detergente de prelavado), girará la ropa, efectuará el desagüe y el centrifugado. Luego la lavadora realizará el ciclo de lavado seleccionado.

NOTA: En algunos ciclos especiales, el prelavado se selecciona automáticamente por defecto. Usted puede apagar esta selección en cualquier momento. El lavado principal usará detergente nuevo del compartimiento manual para detergente y del tanque de **SmartDispense** (Dispensado Inteligente) (en algunos modelos).

Auto Soak (Remojo Automático) (en algunos modelos)

Para remojar las prendas antes del ciclo de lavado. Esta opción comienza con un giro breve y luego procede a remojar la ropa con agua y detergente durante un período de tiempo específico. Una vez completado, el ciclo continuará automática.

AutoSoak (Remojo Automático) deberá ser seleccionado antes de presionar la tecla de inicio. El tiempo de **AutoSoak (Remojo Automático)** agregará 15 minutos adicionales, 30 minutos, 1 hora o 2 horas al tiempo de lavado total. Se usará detergente de alto nivel de eficiencia desde el compartimiento de lavado del dispensador para el período de **AutoSoak (Remojo Automático)** y el ciclo de lavado principal.

Extra Rinse (Enjuague Adicional)

Esta opción permite un enjuague adicional durante un ciclo a fin de eliminar suciedad y detergente excesivo de cargas con suciedad. Para seleccionarlo, presione el botón **Extra Rinse** (Enjuague Adicional).

NOTA: En el ciclo **RINSE & SPIN** (Enjuague y Giro), se podrá lograr un ciclo de **drenaje y giro** presionando el botón **Extra Rinse** (Enjuague Adicional) hasta que el LED no haya luz.

Light (Luz del tambor) (en algunos modelos)

La luz del tambor se encenderá y permanecerá activada durante 5 minutos cuando la puerta se abra, se presione el botón **Start/Pause** (Iniciar/Pausa), o presionando **Light** (Luz).

La luz del tambor puede apagarse presionando el botón de **Light** (Luz).

Add Garment (Agregar Prenda) (en algunos modelos)

Si necesita agregar una prenda una vez que el ciclo haya comenzado, presione la tecla **Add Garment** (Agregar Prenda) y la unidad desbloqueará la puerta, permitiendo colocar prendas adicionales. La función **Add Garment** (Agregar Prenda) sólo está disponible cuando la luz LED está encendida sobre la tecla. Luego de cierto punto en el ciclo, la luz LED ya no se iluminará ni se podrá agregar una prenda.

Sound (Sonido)

Para cambiar el nivel de volumen de la señal de final del ciclo y el volumen del botón de presión, presione el botón tantas veces como sea necesario hasta llegar al volumen deseado. Hay cuatro niveles de sonido, incluyendo apagado.

Control Lock (Light-Control Lock pad)/ Bloquear de control (Luz-Bloquear de control botón) (según modelo)

Puede bloquear los controles para impedir que se realice cualquier selección. O bien puede bloquear los controles después de haber iniciado un ciclo.

Con esta opción seleccionada, los niños no podrán poner en marcha la lavadora de manera fortuita aunque toquen el panel.

Para bloquear/desbloquear la lavadora, mantenga pulsado el botón **Control Lock (Light-Control Lock pad)/ Bloquear de control (Luz-Bloquear de control botón)** durante 3 segundos. Se escuchará un sonido que indica la condición de bloqueado/desbloqueado. El icono de bloqueo de los controles que aparece en la pantalla se encenderá cuando esté activado.

NOTA: El botón **Power** (Encendido/Apagado) puede seguir utilizándose cuando la lavadora está bloqueada.

Puesta en Marcha

Depósito de detergente

Abra lentamente el depósito de detergente tirando de él hasta que se detenga. Tras añadir los productos de lavado, ciérrelo despacio. Si cierra el depósito demasiado rápido, puede provocar que la lejía, el suavizante o el detergente se administren antes de tiempo.

Es posible que observe agua en los compartimentos de detergente, lejía y suavizante al final del ciclo. Este es el resultado de la acción de trasvase y forma parte del funcionamiento normal de la lavadora.

NO coloque paquetes de detergente en el cajón dispensador.

NOTA: Use sólo detergentes y aditivos HE líquidos o en polvo en el cajón dispensador. Los paquetes de detergente para ropa sucia sólo se deberían agregar directamente al tubo de la lavadora, siguiendo las instrucciones del fabricante.



Use sólo detergente de alta eficiencia HE



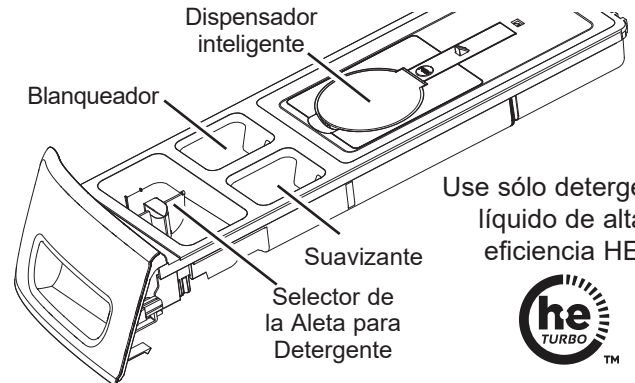
SmartDispense™ (algunos modelos)

When selected, this feature will automatically add detergent to the wash, eliminating the need to add detergent for each load.

La selección de la cantidad de detergente en el panel de control estará en **AUTO** por omisión cuando se encienda la lavadora por primera vez. Cuando se seleccione **AUTO**, la cantidad de detergente necesario para cada carga de lavado será determinada de forma automática en base al tamaño de la carga que la máquina determine.

Para activar la función **AUTO** (Automático), la lavadora dispensará aproximadamente 1.5 onzas de detergente para una carga normal de 8 libras. Para otras cargas, hará un ajuste de forma proporcional en base al tamaño de la carga y el tipo de prendas. Si seleccionó **LESS** (Menos), la cantidad de detergente será reducida en un 40%. Es posible que se desee esto cuando se cuenta con detergente más concentrado o si cuenta con agua muy blanda. Para cargas con mucha suciedad, es posible que desee seleccionar **MORE** (Más) para agregar un 40% más de detergente que en el nivel **AUTO** (Automático). Puede seleccionar la marca/ tipo de detergente en la Aplicación SmartHQ, de modo que la lavadora realice ajustes en base a las recomendaciones de los fabricantes de detergente.

NOTA: No todos los ciclos permitirán el uso de la función **SMART DISPENSE** (Dispensador inteligente). Si la luz no aparece iluminada y presionar el botón **SMART DISPENSE (Dispensador Inteligente)** produce un pitido, entonces no es posible usar la función SmartDispense (Dispensado Inteligente) en el ciclo que fue seleccionado. Se deberá agregar el detergente directamente en el compartimiento de detergente para estos ciclos.



Use sólo detergente líquido de alta eficiencia HE



Si se desea agregar detergente de forma manual a una carga específica:

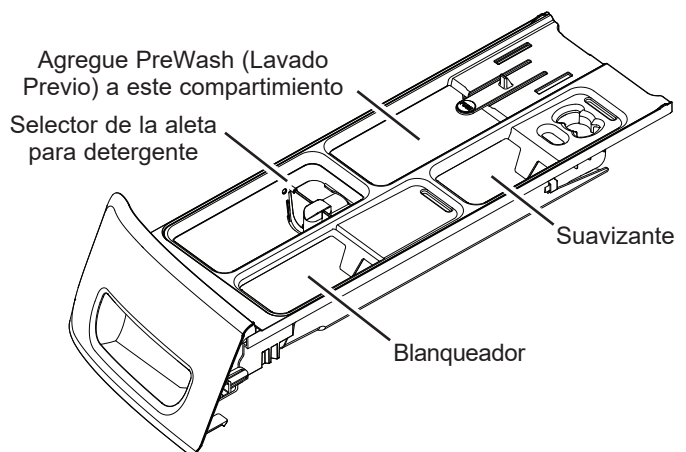
1. Presione la tecla **SMART DISPENSE** (Dispensador Inteligente) en el panel de control hasta que su luz se apague, lo cual indicará que la función SmartDispense (Dispensador Inteligente) fue apagada.
2. Configure la solapa del compartimiento de detergente en relación al tipo de detergente que se usará - Polvo o Líquido. Consulte la sección del Compartimiento de Detergente.
3. Agregue la cantidad de detergente deseada en el compartimiento de detergente.

Si la pantalla indica que el tanque de SmartDispense (Dispensado Inteligente) estima que la cantidad de detergente es insuficiente para el lavado de la carga, la luz de Smart Dispense (Dispensado Inteligente) parpadeará. La lavadora aún podrá realizar un ciclo, pero sugirió que se agregue detergente en el compartimiento manual para detergente o que se vuelva a llenar el tanque de SmartDispense (Dispensado Inteligente).

Compartimiento de prelavado (algunos modelos)

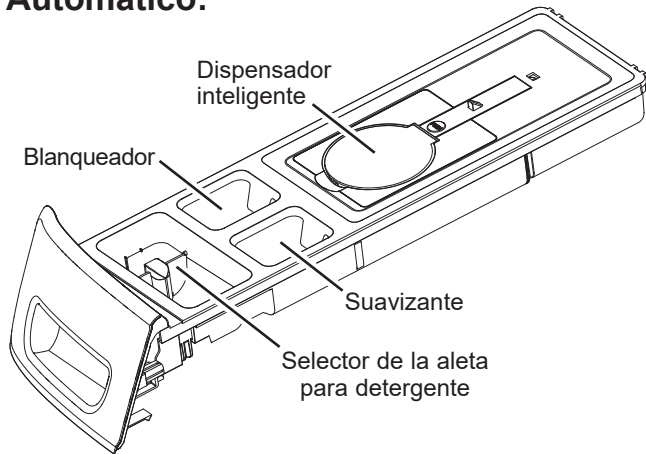
Utilice sólo el compartimiento de prelavado si va a seleccionar el ciclo de **PreWash** (Prelavado) para prendas muy sucias. Añada la cantidad de detergente o de sustancia de prelavado al compartimiento de prelavado situado en la parte posterior izquierda del depósito de detergente.

- El detergente o la sustancia de prelavado se añaden desde el depósito durante el ciclo de **PreWash** (Prelavado) (en caso de que se seleccione).
- Es posible que haya que ajustar el uso de detergente a la temperatura del agua, a la dureza de la misma, al tamaño y al nivel de suciedad de la carga. Evite utilizar demasiado detergente en la lavadora ya que puede producir demasiado jabón y dejar restos en las prendas.

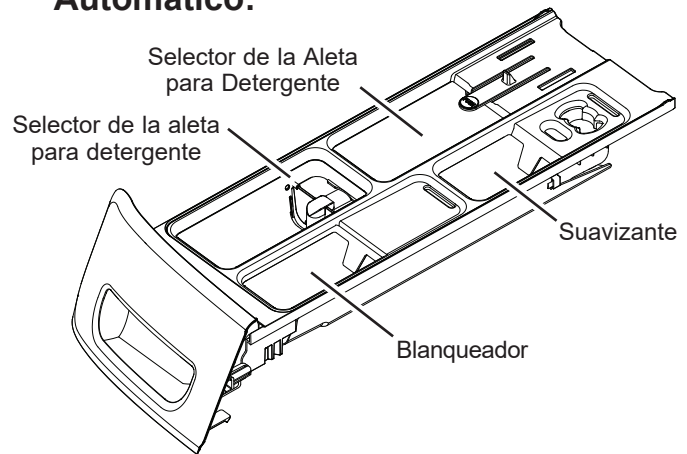


Puesta en Marcha

En modelos con Dispensador Automático:



En modelos sin Dispensador Automático:



Compartimento para el detergente

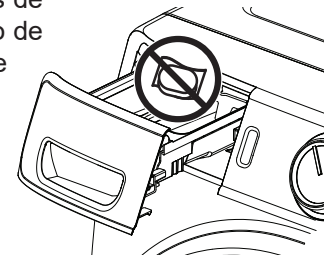
Use sólo detergente con alto nivel de eficiencia en esta lavadora. **NO supere la línea MAX al colocar el detergente con alto nivel de eficiencia. Use la cantidad de detergente recomendada por el fabricante.**

- **Detergente en Polvo** – Levante la aleta para el detergente en polvo. Esto deberá ser realizado para disolver y descargar el detergente de forma apropiada. Siga las instrucciones del fabricante de detergente al medir la cantidad de polvo a usar.
- **Detergente Líquido** – Mantenga la aleta hacia abajo para el detergente líquido. Esto retiene el detergente líquido hasta que se descarga automáticamente al comenzar el ciclo de lavado. Siga las instrucciones del fabricante de detergente al medir la cantidad de líquido a usar.


Es posible que el uso del detergente se deba ajustar con relación a la temperatura del agua, dureza del agua, tamaño y nivel de suciedad de la carga. Evite usar demasiado detergente en la lavadora, ya que puede producir exceso de jabón, residuos de detergente en la ropa, y podría extender los tiempos de lavado.

No use grandes cantidades de detergente en el dispositivo de suministro de jabón, ya que pueden provocar escapes.

NO coloque paquetes de detergente en el cajón dispensador.



Compartimento para lejía líquida

Si lo desea, mida la cantidad recomendada de lejía líquida, que no sobrepase 1/3 del recipiente (80 ml) y viértala en el compartimento central con la etiqueta "Liquid Bleach" (Lejía líquida) marcado con este símbolo .

Se recomienda el uso de lejía de alta eficiencia (HE) con esta lavadora de carga frontal.

No sobrepase la línea de llenado máximo. Un llenado excesivo puede hacer que la lejía se administre demasiado pronto y, como resultado, dañe las prendas.

NOTA: No use paquetes de blanqueador en polvo ni de detergente/ aditivo para ropa sucia en el dispensador.

Compartimento para el suavizante

Si lo desea, vierta la cantidad recomendada de suavizante líquido en el compartimento con la etiqueta "Fabric Softener" (Suavizante).

Utilice sólo suavizante líquido en el depósito.

Dilúyalo con agua hasta la línea de llenado máximo.

No sobrepase la línea de llenado máximo. Un llenado excesivo puede hacer que el suavizante se administre demasiado pronto y manche las prendas.

NOTA: No vierta directamente el suavizante sobre la carga.

Indicador de Ayuda al Consumidor

Su lavadora está equipada con la función Consumer Help Indicator (Indicador de Ayuda al Consumidor, CHI). CHI es nuestra forma de comunicar una solución simple para algunas acciones que usted puede realizar sin la necesidad de llamar al servicio técnico. El siguiente cuadro describe los mensajes útiles que podrá ver pasar por la pantalla al regresar para iniciar otra carga. Estos mensajes brindarán soluciones simples que puede realizar de forma rápida.

<p>Spin (Luz intermitente de giro)</p>	<p>Si una condición de desequilibrio es detectado por la lavadora, el indicador de Giro (Spin) parpadeará durante la parte restante del ciclo y permanecerá iluminado durante un corto tiempo después del fin del ciclo. Cuando este ocurre, la lavadora está tomando medidas para corregir la condición de desequilibrio y completar el ciclo normalmente. En algunos casos, es posible que la lavadora no pueda ser capaz de equilibrar la carga y girar a plena velocidad. Si se observa que la carga es más húmedo de lo normal al fin del ciclo, redistribuye la carga de manera uniforme en el tambor de lavado y ejecute un ciclo de Drain & Spin (Drenaje y Giro). (Para más detalles, consulte sobre la función de Enjuague Adicional en la sección de Comienzo – Opciones).</p>
<p>“H2O SUPPLY” (El agua no entra a la lavadora)</p>	<p>Controle el suministro de agua del hogar. ¿Olvidó abrir una o ambas válvulas luego de la instalación o al volver de sus vacaciones? Tan pronto como el mensaje comience a pasar, la lavadora iniciará un período de bloqueo de 4 minutos. Los controles de la lavadora no responden/cambian durante este tiempo. Luego de 4 minutos, puede comenzar el ciclo nuevamente. Si intenta eludir el período de bloqueo desenchufando la lavadora, el temporizador de 4 minutos se iniciará nuevamente.</p>
<p>“CAnCELEd” (Cancelado)</p>	<p>“CAnCELEd” (Cancelado) puede desplazarse en la pantalla si la máquina se detuvo por más de 24 horas o si la máquina se ha parado por si misma debido a ciertos errores antes que el ciclo sea completado. Tan pronto como el mensaje comience a desplazarse, la lavadora se iniciará un período de bloqueo de 4 minutos. Los controles de la lavadora no responderán/cambiarán durante este tiempo. Luego de 4 minutos puede comenzar el ciclo nuevamente. Si intenta eludir el período de bloqueo desenchufando la lavadora, el temporizador de 4 minutos se iniciará de nuevo. Si el problema persiste, llame al 800.561.3344 para el servicio.</p>
<p>“door” (Puerta)</p>	<p>“door” (puerta) aparecerá en la pantalla si intenta iniciar un ciclo cuando la puerta no esté completamente cerrada. “door” (puerta) también se exhibirá en la pantalla si se iniciaron 3 ciclos sin abrir la puerta. La lavadora no iniciará otro ciclo hasta que se abra la puerta. En cualquier circunstancia, intente abriendo y cerrando la puerta, y luego iniciando un nuevo ciclo. Si el problema persiste, llame al 800.561.3344 para el servicio.</p>

Comunicación del Electrodoméstico

WiFi Connect (Conexión WiFi) (Sólo para clientes en los Estados Unidos - solo en modelos GE Appliances y Profile)

Su lavadora está habilitada para **GE Appliances WiFi Connect**.

Se recomienda enfáticamente conectar la lavadora al WiFi a fin de descargar el software más reciente, recibir actualizaciones de forma periódica y acceder a los beneficios de muchas de las funciones extendidas que están disponibles a través de la Aplicación SmartHQ. Muchas de las funciones de Inteligencia Artificial de su lavadora requieren conexión a la Aplicación SmartHQ.

Visite www.geappliances.com/connect e ingrese su número de modelo para mostrarle los pasos apropiados para conectar su aparato.

Tome nota especialmente del número de serie y dirección MAC ID de su lavadora, los cuales se encuentran en el frente de este manual.

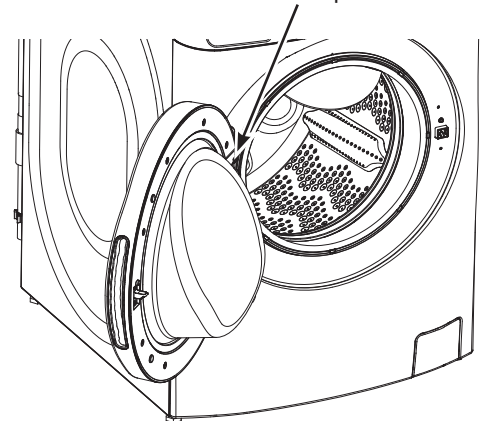
Para aprender más sobre las funciones del electrodoméstico conectado, para saber qué aplicaciones del electrodoméstico conectado funcionarán con su teléfono inteligente.

Conectividad WiFi: Para recibir asistencia en relación al electrodoméstico o la conectividad de red de **ConnectPlus**, comuníquese GE Appliances al **800.220.6899**.

Escanee aquí para comenzar.



Ubicación de la etiqueta de WiFi




Carga

Siempre siga las instrucciones del fabricante de la ropa cuando lave.

Separación de cargas

Separe por color (blancos, claros, colores), nivel de suciedad, tipo de tela (algodones rústicos, limpieza fácil, delicados) y si la tela produce pelusa (tela de toalla, felpilla) o junta pelusa (terciopelo, pana). Lave los productores de pelusas tales como toallas de algodón y medias aparte de los recolectores de pelusas, incluyendo prendas sintéticas y pantalones de vestir.

⚠ ADVERTENCIA  - **Riesgo de incendio**

NO lave tejidos sucios con líquidos inflamables o disolventes de limpieza.
 Ninguna lavadora puede eliminar el aceite por completo.
NO seque artículos que se hayan mojados o manchados con algún tipo de aceite.
NO toque el interior de la lavadora antes de que todas las partes en movimiento se hayan detenido.
 Si lo hace, eso puede ocasionar la muerte, explosión, incendio o amputación.

Carga de la lavadora

Puede que el tambor de la lavadora esté totalmente lleno con prendas sueltas que se añadan.

Para añadir prendas una vez que la lavadora esté en marcha, pulse **Start/Pause** (Iniciar/Pausa) y espere hasta que se desbloquee la puerta. La lavadora puede tardar unos 30 segundos en desbloquear la puerta después de pulsar **Start/Pause** (Iniciar/Pausa), dependiendo de las condiciones de la misma. No intente forzar la puerta para abrirla cuando esté bloqueada. Una vez que se desbloquee, ábrala con cuidado. Añada prendas, cierre la puerta y pulse **Start/Pause** (Iniciar/Pausa) para reiniciar el funcionamiento.

Ejemplos de carga

ROPA DE TRABAJO	ROPA DE CAMA	CARGA MIXTA	DELICADOS*	LAVADO RÁPIDO (2-3 PRENDAS)
4 Jeans 5 camisas de trabajo 3 pantalones de trabajo	2 toallons grande 10 toallas de baño/ 12 toallitas 7 toalla de mano/ 2 alfombras de baño de toalla ○ 2 sábanas rectas tamaño Queen 2 sábanas ajustables tamaño Queen 4 fundas de almohada	4 fundas de almohada 2 toallas de mano 2 sábanas rectas/ 2 sábanas ajustable 2 toallas de baño/ 4 toallitas ○ 6 camisas (de hombre o de mujer) 4 pantalones (Khakis o de sarga) 5 camisetas 7 boxers 4 shorts ○ 6 camisetas 4 pantalones de gimnasia 4 sudaderas 2 sudadera con capucha 7 pares de medias	7 sostenes 7 pantaletas 3 enaguas 2 camisolas 4 camisones *Se recomienda el uso de una bolsa de malla de nylon para elementos pequeños	2 camisas de trabajo informales 1 pantalón de trabajo informal ○ 3 uniformes de fútbol

Cuidado y limpieza

Mangueras de suministro de aguas

De forma periódica, inspeccione que no haya pérdidas de agua, desgastes, cortes, corrosión ni bultos en todas las mangueras de entrada de agua. En caso que aparezcan signos de cualquiera de estas fallas, reemplace todas las mangueras de inmediato. Todas las mangueras se deberán reemplazar cada 5 años de uso, a fin de reducir riesgos de fallas por parte de las mangueras y posibles daños ocasionados por el agua. Al reemplazar las mangueras, consulte las Instrucciones de Instalación a fin de realizar una instalación correcta. NO ajuste en exceso ni desgaste las roscas de los accesorios. NO permita que la manguera roce contra objetos filosos, que se retuerza, o se extienda de forma excesiva. Siempre asegúrese de que las juntas de goma de la manguera estén instaladas y libres de goteos al recibir presión.

Exterior

Limpie inmediatamente cualquier vertido. Limpie los derrames o compuestos de limpieza con un paño húmedo. El panel de control y los acabados de la lavadora pueden resultar dañados por productos utilizados como tratamiento previo al lavado y removedores de manchas. Aplique estos productos lejos de la lavadora. La tela luego puede lavarse y secarse de manera normal. Los daños provocados a su lavadora por estos productos no están cubiertos por la garantía. No aplique objetos afilados a la superficie.

Interior

Seque alrededor de la abertura de la puerta de la lavadora, así como la junta obturadora elástica (incluidas las tuberías conectadas) y el cristal de la puerta. Estas zonas deben estar siempre limpias para garantizar un sellado hermético frente al agua. Si utiliza el sistema ULTRAFRESH VENT (Ventilación Ultra Fresca) de forma regular, observará que esto no será requerido con mucha frecuencia. Se recomienda enjuagar la lavadora al menos una vez por mes con 1 taza de cloro (u otro producto disponible comercialmente fabricado para este fin, tal como el limpiador de lavadora Tide®) vertido directamente en la canasta sin ropa y usando el ciclo **Self Clean** (Limpieza de tambor).

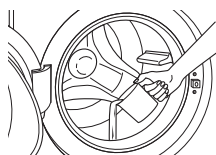
Self Clean (Autolimpieza)

Para limpiar la parte interna de la lavadora, seleccione la característica **SELF CLEAN** del panel de control. Este ciclo **Self Clean** debería ser activado, como mínimo, una vez por mes aprox. cada 40 ciclos de lavado. Este ciclo usará más agua, además de blanqueador, para controle el nivel en el cual las suciedades y detergentes se podrá acumular en la lavadora.



NOTA: Lea las instrucciones por completo antes de comenzar el ciclo **Self Clean** (Autolimpieza).

1. Quite las prendas u objetos de la lavadora y verifique que el tambor de la lavadora se encuentre vacío.
2. Abra la puerta de la lavadora y vierta en la canasta una taza o 250 ml de líquido blanqueador u otro limpiador para lavadoras.
3. Cierre la puerta por completo y vuelva a iniciar el ciclo **SELF CLEAN** (AUTOLIMPIEZA). Presione el botón **Start** (Inicio).
4. Cuando el ciclo **Self Clean** (Autolimpieza) esté funcionando, la pantalla mostrará el tiempo restante estimado del ciclo. El ciclo se completará en alrededor de 90 minutos. No interrumpa el ciclo.



5. Una vez completado el ciclo (en algunos modelos), la lavadora iniciará de forma inmediata el funcionamiento de ULTRAFRESH VENT (Ventilación Ultra Fresca), de modo que la puerta pueda permanecer cerrada hasta la próxima vez que use la lavadora.

Si por alguna razón debe interrumpirse el ciclo, la puerta no se abrirá de inmediato. Tratar de abrir la puerta en esta etapa puede hacer que el agua se derrame. La puerta se abrirá después de que el agua haya drenado hasta un nivel en el que no inunde el piso.

Self Clean (Autolimpieza) puede interrumpirse presionando el botón **Start** (Inicio) entre ciclos. Un corte de energía en el hogar también puede interrumpir el ciclo. Cuando se reanuda el servicio eléctrico, el ciclo **Self Clean** (Autolimpieza) continúa desde el punto en el que se había detenido. Cuando se interrumpe, asegúrese de realizar un ciclo completo de **Self Clean** (Autolimpieza) antes de utilizar la lavadora. Si se presiona el botón **Power** (Encendido) durante **Self Clean** (Autolimpieza), el ciclo se perderá.

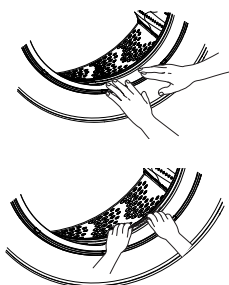
IMPORTANTE:

- Haga funcionar el ciclo **Self Clean** (Autolimpieza) con una taza (250 ml) de lejía una vez por mes.
- Después de finalizar un ciclo **Self Clean** (Autolimpieza), la parte interior de su lavadora puede tener olor a lejía.
- Se recomienda lavar una **RINSE & SPIN** o carga de colores claros después del ciclo **Self Clean**.

Junta de la puerta

Abra la puerta de la lavadora. Usando ambas manos, presione la junta de la puerta hacia abajo.

Mientras sostiene la junta de la puerta, inspeccione el pliegue interior. Retire cualquier objeto extraño que se pueda encontrar atrapado dentro de la junta.



Quite los objetos extraños que encuentre atrapados dentro de esta junta. Asegúrese de que no haya ningún objeto bloqueando los orificios ubicados detrás de la junta.

Cuando haya terminado de limpiar la junta de la puerta, quite las manos y las juntas volverán a la posición de funcionamiento.



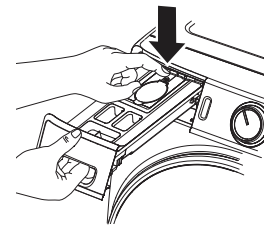
Cuidado y limpieza

Zona del depósito de detergente

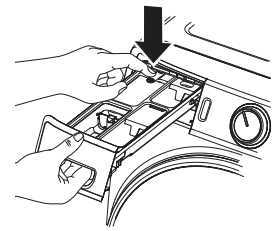
El detergente y el suavizante pueden acumularse en el depósito de detergente. Los residuos deben eliminarse una o dos veces al mes.

- Saque el depósito tirando de él hasta que se detenga. Luego acerque la mano a la parte trasera de la cavidad del cajón y presione firmemente sobre la lengüeta de bloqueo, quitando el cajón.
- Enjuague el cajón con agua caliente para quitar los restos acumulados de productos de lavado.
- Para limpiar la abertura del depósito, utilice un cepillo pequeño a fin de limpiar el hueco. Retire todos los restos de las partes superior e inferior del hueco.
- Introduzca de nuevo el depósito de detergente.
- Para reducir la acumulación en la zona del depósito de detergente:

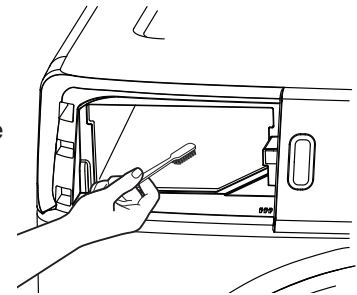
On models with a Smart Dispenser:



On models without a Smart Dispenser:



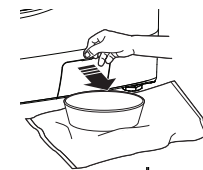
Use sólo detergente de alta eficiencia



Filtro de la bomba

Debido a la naturaleza de la lavadora de carga frontal, es posible que a veces pasen partículas pequeñas a la bomba. La lavadora cuenta con un filtro para capturar los elementos perdidos y que no caigan en el drenaje. Para recuperar los elementos perdidos, limpie el filtro de la bomba.

1. Utilizando un destornillador de lados planos o una moneda, abra la puerta de acceso.
2. Coloque una bandeja o plato poco profundo bajo la puerta de acceso y toallas en el piso frente a la lavadora para proteger el piso. Es normal que salga alrededor de una taza de agua cuando se quita el filtro.
3. Baje el pico vertedor.
4. Gire el filtro de la bomba en sentido contrario a las agujas del reloj y quite el filtro lentamente, controlando el flujo del agua que sale.
5. Quite el filtro y limpie las suciedades.
6. Vuelva a colocar el filtro y gire en sentido de las agujas del reloj. Ajuste bien.
7. Eleve el pico vertedor.
8. Close the access door by hooking the bottom tabs first, then rotating the access door shut.



Video

Scan this code to watch a video on this topic.

Desplazamiento y almacenamiento

Pida al técnico de servicio que elimine el agua de las tuberías y la bomba de desagüe. No guarde la lavadora en un lugar donde esté expuesta a las inclemencias climáticas. Al mover la lavadora, la cuba debe mantenerse estable utilizando los pernos de transporte que se han extraído durante la instalación. Consulte las Instrucciones de instalación en este manual. Si estas piezas no están disponibles, se pueden solicitar a través del sitio Web GEApplianceparts.com o llamando GE Appliances al **877.959.8688**.

Largas vacaciones

Asegúrese de cortar el agua de todas las llaves de paso. Vacíe todas las tuberías de agua si la temperatura va a encontrarse por debajo de punta de congelación.

Instrucciones de instalación

Lavadora

Si tiene alguna pregunta, llame GE Appliances a 800.GE.CARES (800.432.2737) o visite nuestro sitio Web en: GEAppliances.com

ANTES DE COMENZAR

Lea detenidamente todas las instrucciones.

- **IMPORTANTE** — Guarde estas instrucciones para uso del inspector local.
- **IMPORTANTE** — Cumpla todos los códigos y ordenanzas regulatorias.
- **Nota al instalador** — Asegúrese de dejar estas instrucciones al usuario.
- **Nota al usuario** — guarde estas instrucciones para consultas futuras.
- **Nivel de habilidad** — la instalación de este electrodoméstico requiere habilidades mecánicas y eléctricas básicas.
- **Duración** — de 1 a 3 horas
- La instalación adecuada es responsabilidad del instalador.
- La garantía no cubre fallas producidas por la instalación inadecuada del producto.

UBICACIÓN DE LA LAVADORA

NO instale la lavadora:





1. En un área expuesta a goteras o a las condiciones del exterior. La temperatura ambiente no debe ser nunca inferior a 60°F (15,6°C) para que la lavadora funcione correctamente.
2. En una zona en la que pueda entrar en contacto con cortinas u otras telas.
3. Sobre una alfombra. El suelo **DEBE** ser una superficie dura con una inclinación máxima de 1/2" por pie (1,27 cm por cada 30 cm). Para asegurarse de que la lavadora no vibre ni se mueva, es posible que tenga que reforzar el suelo.

NOTA: Si el suelo se encuentra en mal estado, utilice una plancha con 3/4" de contrachapado bien fija al revestimiento existente en el suelo.


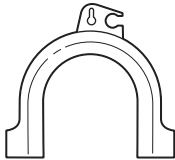


INSTALACIÓN EN CASAS RODANTES

La instalación se deberá realizar conforme con la Ley de Estándar para Casas Rodantes (Standard for Mobile Homes), ANSI A119.1 y de Estándares Nacionales de Construcción y Seguridad de Casas Rodantes (National Mobile Home Construction and Safety Standards Act) de 1974 (PL93-383).



HERRAMIENTAS NECESARIAS

- Nivel 
- Llave ajustable 
- Alicates ajustables Channel-lock 
- Destornillador Phillips 

PIEZAS INCLUIDAS

- Tapas de los Tornillos de Embalaje 
- Guía de tuberías 
- Barra de Bloqueo - Conservar para la **Invertir la apertura de la puerta** (opcional solo en algunos modelos) 
- Abrazadera de cable 

PIEZAS NECESARIAS (Se adquiere por separado o incluido con el modelo GFW510)

- suministro de agua (2) 
- Arandelas de Caucho (2) y Pantallas de Filtro (2) 

GE Appliances Piezas y accesorios

Solicítelos on-line hoy mismo a GEApplianceparts.com, las 24 horas del día o por teléfono al 877.959.8688 en horario normal de trabajo.

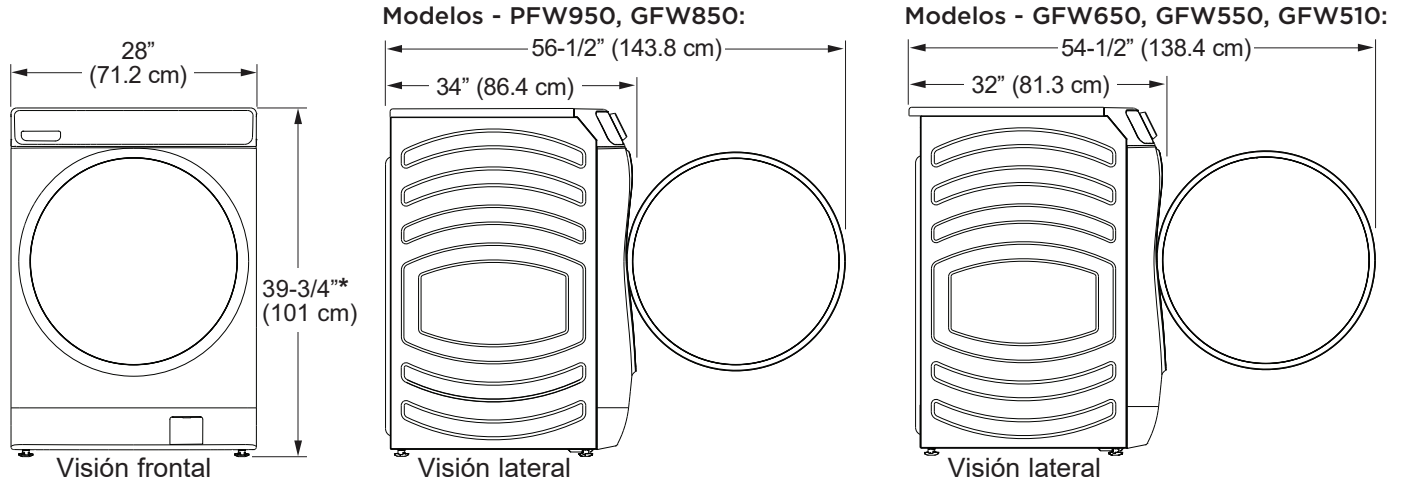
Número de Pieza Accesorio

WX14X10011 Mangueras de lavadora de 6 pies de acero inoxidable con codos de 90°; 2 unidades

WH1X2267 Arandelas de Caucho y Pantallas

Instrucciones de instalación

DIMENSIONES DE LA LAVADORA

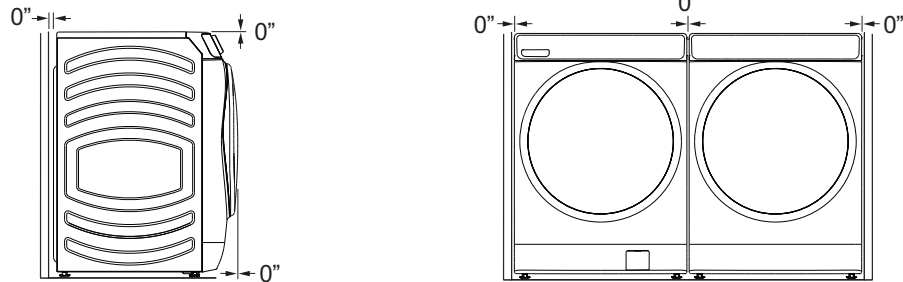


*Con las patas niveladoras retraídas: 39-3/4 (101 cm). / Con las patas niveladoras completamente extendidas: 40-5/8 (103,1 cm).

DISTANCIAS MÍNIMAS DE SEPARACIÓN

Alcoba o Armario

- Rear = 0"*
- Sides = 0"
- Top = 0"
- Front = 0"



- Se deberá considerar que se debe brindar el despeje adecuado para la instalación y el servicio técnico.
- Las puertas del armario deben contar con rejillas u otro tipo de ventilación y tener por lo menos 60 pulgadas cuadradas (387,1 cm²) de espacio abierto. Si el armario incluye una lavadora y una secadora, las puertas deben contener un mínimo de 120 pulgadas cuadradas (774,2 cm²) de espacio abierto.

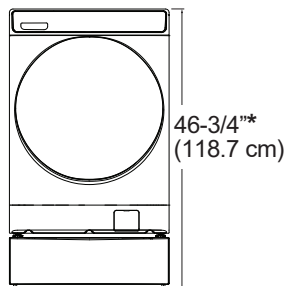
*Para que el espacio libre en la parte trasera de la lavadora sea de 0", deberá usar mangueras con codos de 90°. De otra forma, podrá necesitar cierto espacio libre adicional a fin de evitar que las mangueras rocen contra la pared trasera.

ACCESORIOS:

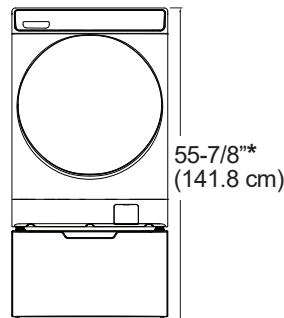
Ordene hoy a través de Internet en GEApplianceparts.com, las 24 horas del día o en forma telefónica llamando al **877.959.8688**, durante el horario comercial habitual.

No. de Pieza	Accesorio
GFR0728SNWW	Elevador blanco
GFR0728PNSN	Elevador de níquel satinado
GFR0728PNRS	Elevador de zafiro real
GFR0728PNDG	Elevador de diamante gris
GFR0728PTDS	Elevador de pizarra negra
GFP1528SNWW	Pedestal blanco
GFP1528PNSN	Pedestal de níquel satinado
GFP1528PNRS	Pedestal de zafiro real
GFP1528PNDG	Pedestal de diamante gris
GFP1528PTDS	Pedestal de pizarra negra
GFA28KITN	Kit para apilar Secadora sobre Lavadora

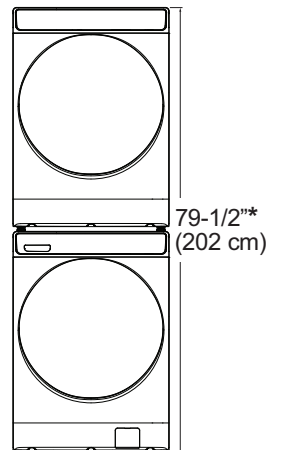
Elevador:



Pedestal:



Apilada:



Siga las **Instrucciones de instalación** incluidas en el Kit para conocer todos los requisitos de despeje e instalación.

*Con las patas niveladoras retraídas. Consulte la sección **DIMENSIONES DE LA LAVADORA** anterior para conocer las dimensiones de la extensión de las patas.

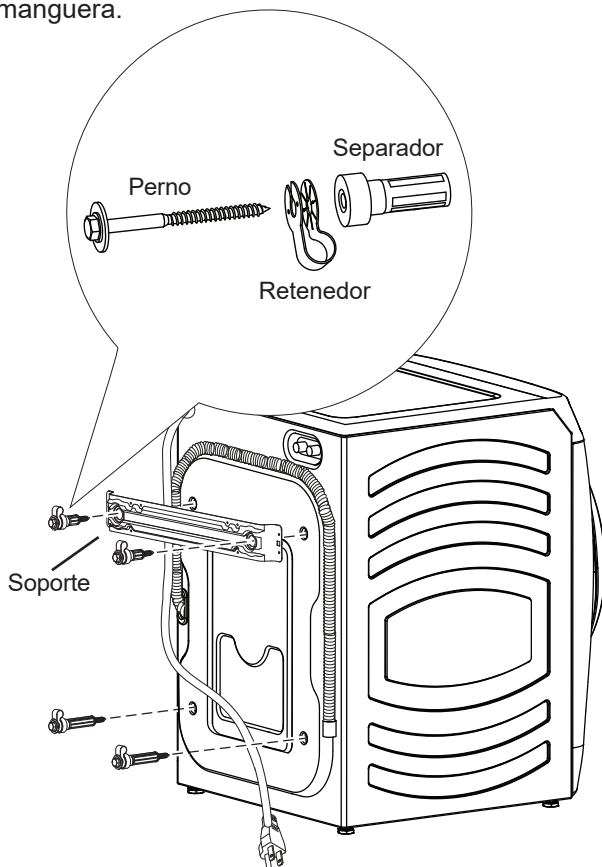
Instrucciones de instalación

DESEMBALAJE DE LA LAVADORA

⚠ ADVERTENCIA Recicle o deseche la caja de cartón y las bolsas de plástico una vez que haya desembalado la lavadora. Mantenga estos materiales fuera del alcance de los niños, pues éstos podrían utilizarlos para jugar. Las cajas de cartón cubiertas con mantas, colchas o láminas de plástico pueden convertirse en cámaras de aire herméticas y producir asfixia.

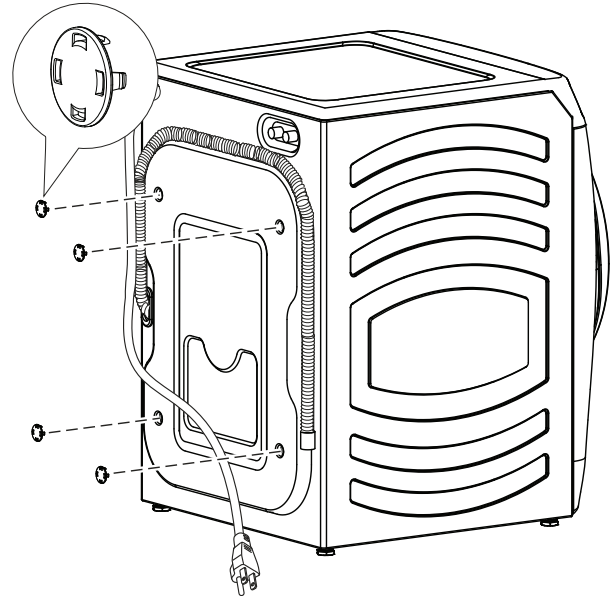
1. Corte y elimine todas las cintas de embalaje.
2. Mientras se encuentre dentro de la caja, coloque con cuidado la lavadora sobre el costado de la misma. NO la tumbe por la parte delantera ni trasera.
3. Abra las tapas inferiores y retire todo el embalaje de la base, incluido la base de la cuba de espuma de poliestireno.
4. Vuelva a levantar la lavadora con cuidado y retire la caja de cartón.
5. Desplace poco a poco la lavadora hasta 4 pies (122 cm) de su ubicación definitiva.
6. Quite las siguientes piezas de la parte trasera de la lavadora:
 - 4 pernos
 - 4 separadores de plástico (incluidas las retenedores de cable de alimentación y arandelas de goma)
 - 1 soporte y los tornillos que lo ajustan a la lavadora

NOTA: NO retire el tornillo o pinza que sostiene la manguera.



DESEMBALAJE DE LA LAVADORA (cont.)

7. Introduzca los tapones para orificios de pernos de embalaje en los orificios.



IMPORTANTE:

- No retirar todas las piezas de soporte del embalaje podrá hacer que la lavadora quede severamente desbalanceada.
- Guarde todas las piezas de soporte del embalaje para un uso futuro. En caso de ser necesario el transporte de la lavadora en una fecha posterior, Deberá reinstalar los tornillos y espaciadores de embalaje, a fin de evitar daños durante el traslado. El soporte no es necesario y se puede descartar.

NOTA: Tenga en cuenta las opciones de reciclaje del material de embalaje de su electrodoméstico.

Instrucciones de instalación

REQUISITOS ELÉCTRICOS

⚠️ ADVERTENCIA - Riesgo de Descarga Eléctrica

Enchufe a un tomacorriente de 3 clavijas con conexión a tierra.

NO retire la terminal de tierra.

NO UTILICE un cable de extensión.

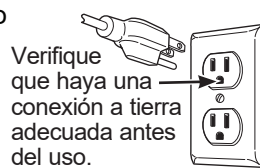
NO UTILICE un enchufe adaptador con este artefacto.

Si no se siguen estas instrucciones, se podrá producir la muerte, incendio o descargas eléctricas.

CIRCUITO – individual, correctamente polarizado y conectado a un disyuntor de 15 o 20 amperes o a un fusible con retardo.

SUMINISTRO DE CORRIENTE – 2 cables y conexión a tierra, 120 voltios, fase simple, 60 Hz., corriente alterna.

Receptáculo Externo – receptáculo de 3 clavijas correctamente conectado a tierra, ubicado de modo que el cable de corriente esté accesible cuando la lavadora esté en una posición instalada. Si hay un



receptáculo de 2 clavijas, es responsabilidad del propietario solicitar a un electricista matriculado que reemplace el mismo por un receptáculo de 3 clavijas con conexión a tierra, que esté correctamente conectado a tierra.

La lavadora deberá estar correctamente conectada a tierra de acuerdo con los códigos y ordenanzas locales, o en ausencia de códigos locales, con la última edición del Código Eléctrico Nacional, ANSI/NFPA NO. 70 o el Código Eléctrico Canadiense, CSA C22.1. En caso de no estar seguro de que la lavadora esté correctamente conectada a tierra, consulte a un electricista matriculado.

INSTRUCCIONES DE CONEXIÓN A TIERRA

Este electrodoméstico deberá estar conectado a tierra. En caso de avería o mal funcionamiento, la conexión a tierra reducirá el riesgo de descargas eléctricas al brindar un camino con una resistencia menor para la corriente eléctrica. Este electrodoméstico está equipado con un cable con un conductor para la conexión a tierra del equipo y un enchufe con conexión a tierra. El enchufe deberá estar conectado a un tomacorriente instalado en forma adecuada y con conexión a tierra de acuerdo con todos los códigos y ordenanzas locales.

⚠️ **ADVERTENCIA** Una conexión inapropiada del conductor de conexión a tierra del equipo puede provocar riesgos de descargas eléctricas. Consulte a un electricista calificado o personal o representantes del servicio técnico si tiene dudas de que el electrodoméstico se encuentre conectado a tierra apropiadamente. **NO** modifique el enchufe en el cable de suministro de corriente. Si no coincide con la toma de corriente, contrate a un electricista calificado para que instale una toma de corriente en forma adecuada.

INSTRUCCIONES DE CONEXIÓN A TIERRA (cont.)

Si los códigos locales lo requieren, se podrá agregar un cable a tierra externo de cobre de calibre 18 o más grande (no provisto). Adhiera el gabinete de la lavadora con un tornillo de chapa metálica N°10-16 x 1/2" (disponible en cualquier tienda de repuestos) a la parte trasera de la lavadora.

⚠️ ADVERTENCIA - Riesgo de Descarga Eléctrica

Desconecte el suministro de corriente antes de realizar el servicio técnico.

Reemplace todas las piezas y paneles antes de utilizar.

Si no cumple con esto, se podrá producir la muerte o descarga eléctrica.

⚠️ ADVERTENCIA - Riesgo de Descarga Eléctrica

Ciertas piezas internas no tienen conexión a tierra en forma intencional y pueden presentar un riesgo de descarga eléctrica sólo durante la reparación.

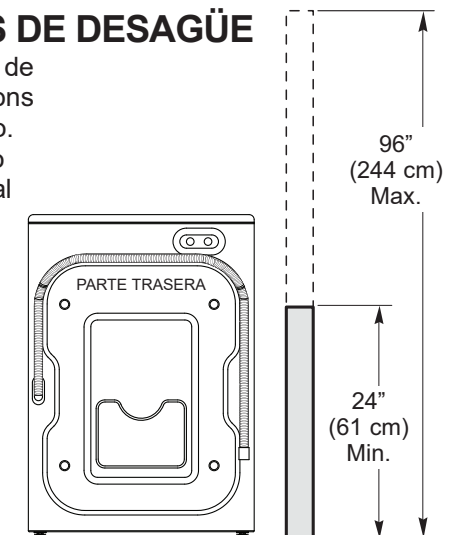
Personal de reparación – NO toque las siguientes piezas cuando el aparato esté recibiendo energía: válvula agua, bomba de desague, NTC, calentador, traba de la puerta, tablero inversor, motor y tablero MC.

REQUISITOS DE SUMINISTRO DE AGUA

Las llaves de paso DEBEN ser de 3/4" (1.9 cm) y tipo jardín para que se puedan conectar las tuberías de entrada. La presión del agua DEBE estar entre 10 y 120 libras por pulgada cuadrada. La compañía de agua puede informarle de la presión del agua. La temperatura del agua caliente se debe establecer para suministrar agua a una temperatura de entre 120° y 140°F (48°–60°C) para brindar un desempeño adecuado del control automático de temperatura (ATC).

REQUISITOS DE DESAGÜE

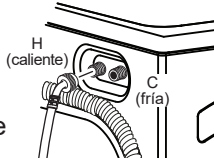
1. Desagüe capaz de eliminar 10 gallons (38 l) por minuto.
2. Diámetro mínimo de tubería vertical de 1 1/4" (3,18 cm).
3. La altura de la tubería vertical desde el suelo debe ser:
Altura mínima: 24" (61 cm)
Altura máxima: 96" (244 cm)



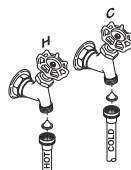
Instrucciones de instalación

INSTALACIÓN DE LA LAVADORA

1. Deje correr un poco de agua de los grifos de agua caliente y fría para purgar las tuberías de agua y eliminar las partículas que puedan obstruir la tubería de entrada y los filtros de la válvula de agua.
2. Saque las tuberías de entrada de la embalaje.
3. Extremo acodado de 90° Verifique que haya una arandela de goma en el extremo acodado de 90° de las tuberías HOT (caliente) y COLD (fría). Vuelva a instalar la arandela de goma en el accesorio de la tubería si se ha caído durante el envío. Conecte con cuidado la tubería de entrada marcada con HOT (Caliente) a la salida "H" exterior de la válvula de agua. Apriete con la mano y, a continuación, apriete 2/3 de vuelta con los alicates. Conecte con cuidado la otra tubería de entrada a la salida "C" interior de la válvula de agua. Apriete con la mano y, a continuación, apriete 2/3 de vuelta con los alicates. **No pase las roscas ni apriete excesivamente estas conexiones.**



4. Si los filtros de pantalla de la manguera de entrada no se encuentran insertados en las mangueras de entrada, instale los mismos insertando estos en los extremos libres de las mangueras de entrada HOT (Caliente) y COLD (Fría) con los extremos protuberantes enfrentados hacia el grifo.
5. Conecte los extremos de la tubería de entrada a las tomas de agua CALIENTE y FRÍA ajustándolos con la mano y, a continuación, apriete de nuevo 2/3 de vuelta con los alicates. Abra la llave de paso y compruebe que no hay ninguna fuga.



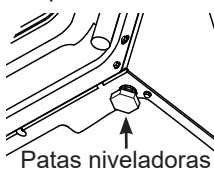
6. Desplace la lavadora con cuidado hasta su ubicación final. Mueva suavemente la lavadora para situarla en su lugar. Es importante no dañar las patas niveladoras de caucho al trasladar su lavadora a su ubicación final. Si las patas se dañan podría aumentar la vibración de la lavadora. Podría ser útil rociar el piso con limpiador para ventanas a fin de trasladar más fácilmente su lavadora a su ubicación final.

NOTA: Para reducir la vibración, asegúrese de que cada una de las cuatro patas niveladoras estén en contacto con el piso. Empuje y tire de la parte posterior derecha y luego de la parte posterior izquierda de su lavadora.

NOTA: No utilice el depósito de detergente ni la puerta para levantar la lavadora.

NOTA: Si se instala en un depósito de desagüe, puede utilizar una tabla 2x4 de 24 pulgadas de longitud para colocar la lavadora en su lugar haciendo palanca.

7. Una vez situada la lavadora en su posición final, coloque un nivel en la parte superior de la misma (si está instalada debajo de un contador, la lavadora no debería vibrar). Ajuste las patas niveladoras delanteras hacia arriba o hacia abajo para asegurarse que la lavadora se apoya en una superficie sólida. Gire las contratueras de cada pata hacia la base de la lavadora y apriételas con una llave.

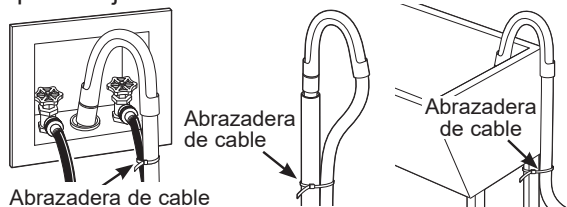


INSTALACIÓN DE LA LAVADORA

NOTA: Mantenga la extensión de los soportes al mínimo para evitar una vibración excesiva. Cuanto más se extiendan las patas, más vibrará la lavadora.

Si el suelo no está nivelado o está dañado, puede que sea necesario extender las patas niveladoras traseras.

8. Coloque la guía de la tubería en forma de U en el extremo de la tubería de desagüe. Coloque la tubería en una pila de lavar o tubería vertical y sujétela con la abrazadera de cable que se proporciona en el paquete adjunto.



NOTA: Colocar la manguera de drenaje muy debajo de la tubería de drenaje puede provocar un efecto de sifón. No debe haber más de 7 pulgadas de manguera en la tubería de drenaje. Debe haber un espacio de aire alrededor de la manguera de drenaje. Si la manguera está muy ajustada, también puede provocarse un efecto de sifón.

9. Enchufe el cable de alimentación en una salida de conexión a tierra.
NOTA: Asegúrese de que la alimentación está cortada en un interruptor/caja de fusibles antes de enchufar el cable de alimentación a una toma de corriente.
10. Conecte la alimentación a un interruptor/caja de fusibles.
11. Lea el resto del Manual del propietario. Contiene información valiosa y útil que supondrá un ahorro de tiempo y dinero.
12. **Antes de poner en funcionamiento la lavadora, asegúrese de comprobar lo siguiente:**
 - La alimentación está conectada.
 - La lavadora está enchufada.
 - Las llaves de paso están abiertas.
 - La lavadora está nivelada y que cada una de las cuatro patas niveladoras estén en contacto con el piso.
 - Las piezas de sujeción para el transporte se han quitado y guardado.
 - La tubería de desagüe se ha asegurado correctamente.
 - No existe ninguna fuga en la llave de paso, la tubería de desagüe ni la lavadora.
13. Ponga en funcionamiento la lavadora en un ciclo completo. Compruebe que no haya fugas de agua y que funcione correctamente.
14. Si la lavadora no funciona, revise la sección Antes de llamar al servicio de asistencia técnica antes de ponerse en contacto con el servicio de asistencia técnica.
15. Coloque las instrucciones en un lugar próximo a la lavadora para futuras consultas.

PIEZAS DE REPUESTO

Si se necesitan piezas de repuesto para la lavadora, se pueden solicitar en Estados Unidos a través del sitio Web GEApplianceparts.com o llamando GE Appliances a 877.959.8688.

Instrucciones de instalación

CÓMO INVERTIR LA APERTURA DE LA PUERTA (OPCIONAL SOLO EN ALGUNOS MODELOS)

⚠ ADVERTENCIA

Desenchufe el electrodoméstico o apague el disyuntor antes de realizar el servicio técnico. Presionar el botón **Power** (Encendido) **NO** desconecta el encendido.

⚠ ADVERTENCIA - Riesgo de Descarga Eléctrica

Ciertas piezas internas no tienen conexión a tierra en forma intencional y pueden presentar un riesgo de descarga eléctrica sólo durante la reparación.

Personal de reparación – NO toque las siguientes piezas cuando el aparato esté recibiendo energía: válvula agua, bomba de desagüe, NTC, calentador, traba de la puerta, tablero inversor, motor y tablero MC.

NOTAS IMPORTANTES

- Manipule las piezas con cuidado para no rayar la pintura.
- Coloque las puertas sobre una superficie de trabajo que no raye.
- Separe los tornillos por sus piezas relacionadas para evitar usarlos en lugares equivocados.
- Una vez que haya comenzado, no mueva el gabinete hasta haber finalizado la inversión de la apertura de la puerta.
- Estas instrucciones son para cambiar las bisagras lado izquierdo al del lado derecho; si alguna vez desea cambiarlas de nuevo al lado derecho, siga las mismas instrucciones e invierta todas las referencias de izquierda a derecha.

Video



Scan this code to watch a video on this topic.

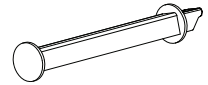
HERRAMIENTA NECESARIA

- Tournevis cruciforme



PIEZA INCLUIDA

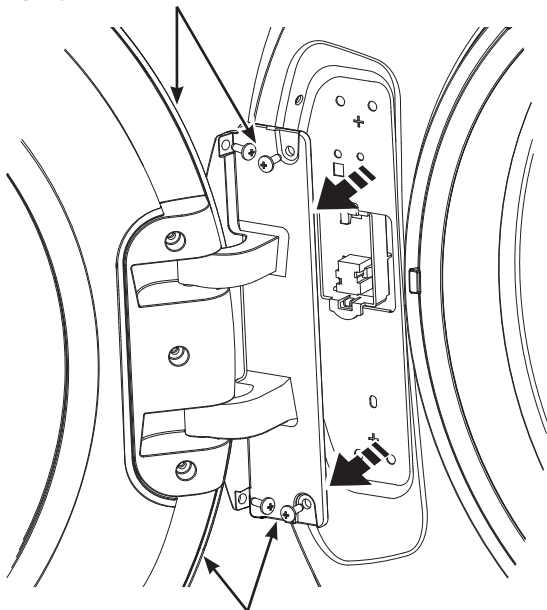
- Barra de Bloqueo



1 RETIRE EL ENSAMBLE DE LA PUERTA

- Abra la puerta de la lavadora.
- Mientras sostiene la puerta, retire los 6 tornillos de la bisagra sobre la cara de la lavadora.
- Levante el ensamble de la puerta para retirar la misma de la cara de la lavadora y deje el ensamble a un costado sobre una superficie de protección.

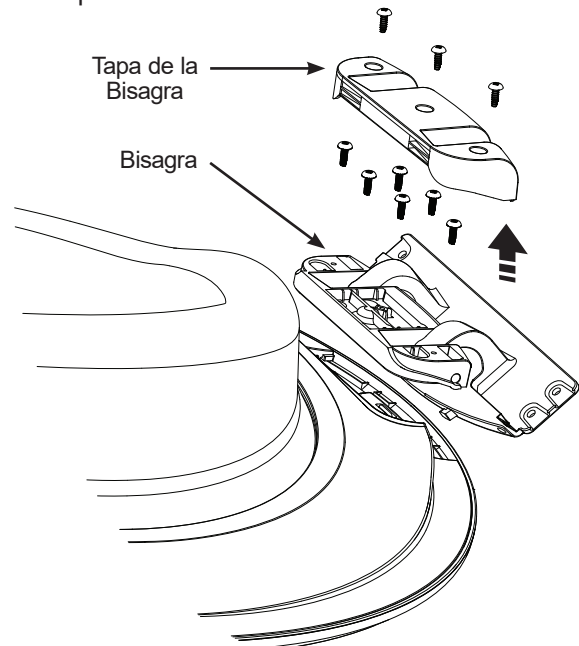
Bisagra y ensamble de la puerta



Sostenga la Puerta y Retire los Tornillos de la Bisagra de la lavadora

2 RETIRE LA BISAGRA DE LA PUERTA

- Retire los 3 tornillos de la tapa de la bisagra y retire la tapa.
- Retire los 6 tornillos de la bisagra y retire la bisagra de la puerta.

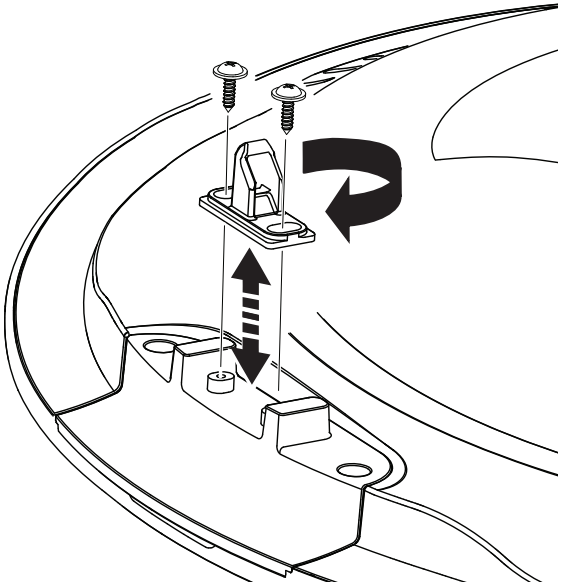


Instrucciones de instalación

CÓMO INVERTIR LA APERTURA DE LA PUERTA (OPCIONAL SOLO EN ALGUNOS MODELOS)

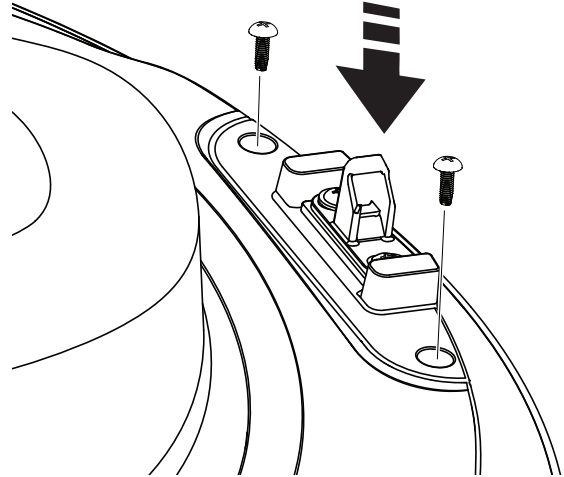
3 RETIRE, INVIERTA, Y REEMPLACE EL TOPE DE LA PUERTA

- Retire los 2 tornillos del tope. Gire el tope 180° y vuelva a instalar el tope con sus tornillos.



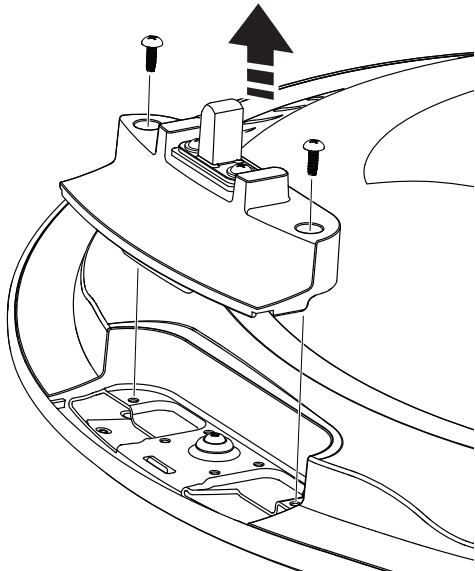
4 RETIRE EL ENSAMBLE DEL TOPE DE LA PUERTA Y REEMPLACE EL MISMO DEL LADO OPUESTO (CONTINUA)

- Gire el ensamble del tope y reemplace el mismo del lado opuesto con sus tornillos.



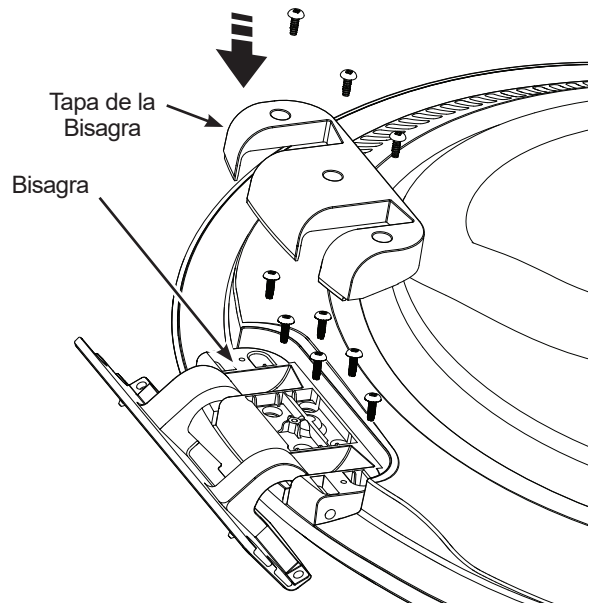
4 RETIRE EL ENSAMBLE DEL TOPE DE LA PUERTA Y REEMPLACE EL MISMO DEL LADO OPUESTO

- Retire los 2 tornillos del ensamble del tope y retire el ensamble empujando el mismo hacia el centro, empujando hacia arriba y luego hacia afuera.



5 REEMPLACE LA BISAGRA DE LA PUERTA Y LA TAPA DE LA BISAGRA DE LA PUERTA DEL LADO OPUESTO

- Gire el ensamble de la puerta y reemplace el mismo del lado opuesto con sus tornillos.
- Gire el tapa de la bisagra y reemplace el mismo del lado opuesto con sus tornillos.

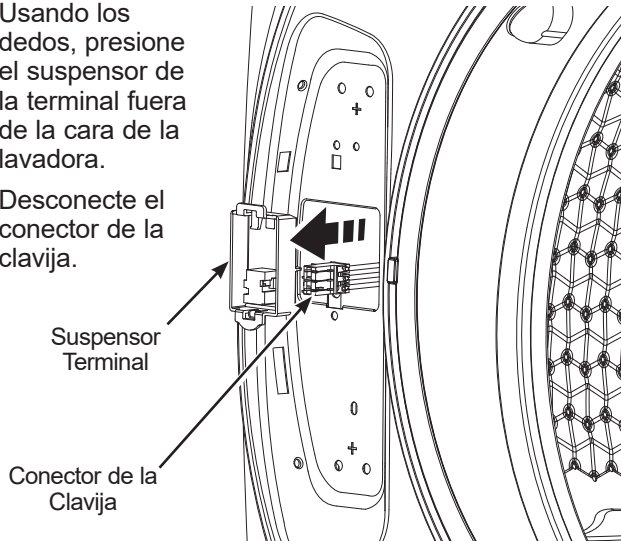


Instrucciones de instalación

CÓMO INVERTIR LA APERTURA DE LA PUERTA (OPCIONAL SOLO EN ALGUNOS MODELOS)

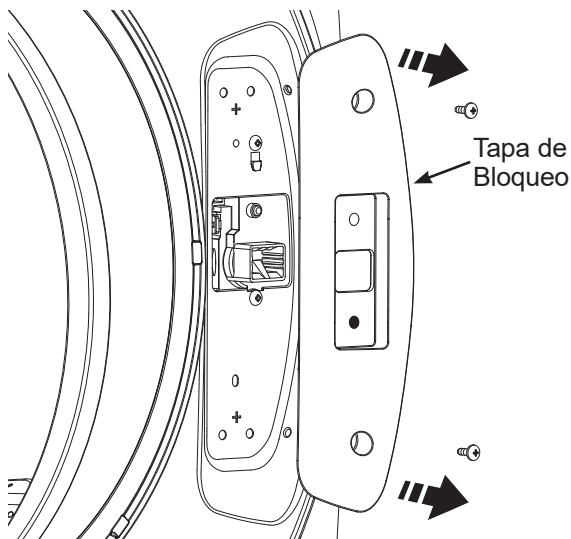
6 RETIRE EL SUSPENSOR DE LA TERMINAL Y DESCONECTE EL CONECTOR DE LA CLAVIJA DE LA LAVADORA

- Usando los dedos, presione el suspensor de la terminal fuera de la cara de la lavadora.
- Desconecte el conector de la clavija.



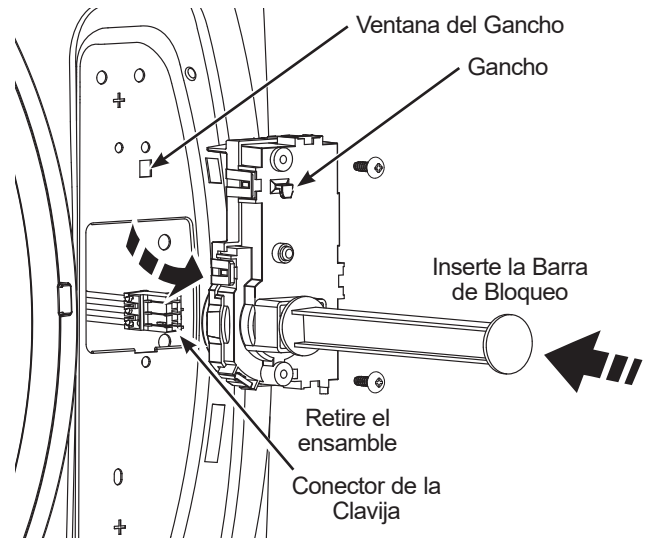
7 RETIRE EL ENSAMBLE DEL BLOQUEO E INSTALE EL MISMO DEL LADO OPUESTO DE LA LAVADORA

- Retire los 2 tornillos de la tapa de bloqueo y retire la misma de la cara de la lavadora.

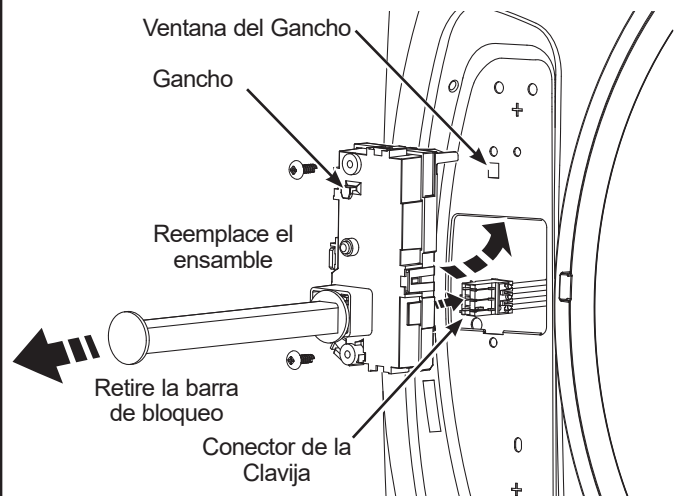


7 RETIRE EL ENSAMBLE DEL BLOQUEO E INSTALE EL MISMO DEL LADO OPUESTO DE LA LAVADORA (CONTINUA)

- Inserte la barra de bloqueo provista en el mecanismo de bloqueo sobre la parte frontal de la lavadora. Retire el ensamble de bloqueo retirando sus dos tornillos, usando la barra de bloqueo para levantar el mismo hasta que quede desenganchado, inclinando y empujando éste hacia afuera desde el frente de la lavadora. Desconecte su conector de la clavija destrabando sus bloqueos.



- **NO** gire el ensamble del bloqueo. Mueva el mismo hasta el lado opuesto de la lavadora y conecte el conector de la clavija, asegurándose de que calcen completamente juntos. Incline e inserte el ensamble del bloqueo en el frente de la lavadora, levante el mismo y asegure su gancho en su ventana. Reemplace sus tornillos. Retire la barra de bloqueo del ensamble y conserve la misma para uso futuro.



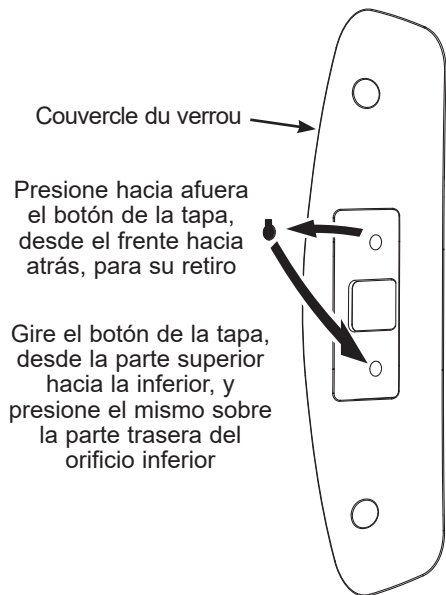
Instrucciones de instalación

CÓMO INVERTIR LA APERTURA DE LA PUERTA (OPCIONAL SOLO EN ALGUNOS MODELOS)

7 RETIRE EL ENSAMBLE DEL BLOQUEO E INSTALE EL MISMO DEL LADO OPUESTO DE LA LAVADORA (CONTINUA)

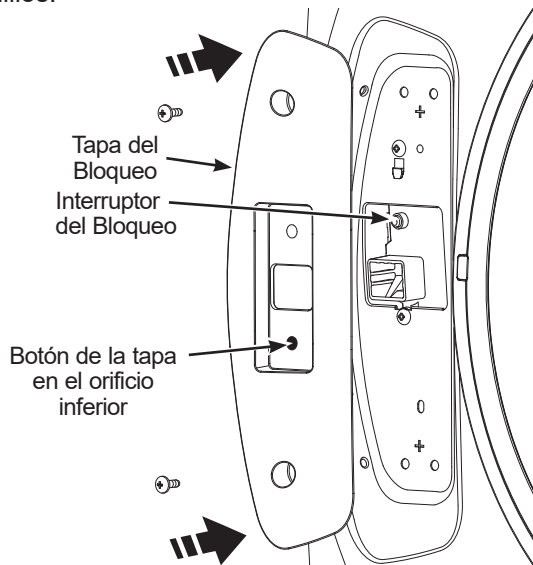
- Retire el botón de la tapa del interruptor de bloqueo de la parte trasera de la placa de la tapa de bloqueo, y vuelva a colocar el mismo en el orificio opuesto de la placa de la tapa de bloqueo.

NOTA: El botón de la tapa se deberá volver a instalar en el orificio inferior de la placa de la tapa de bloqueo, como se muestra.



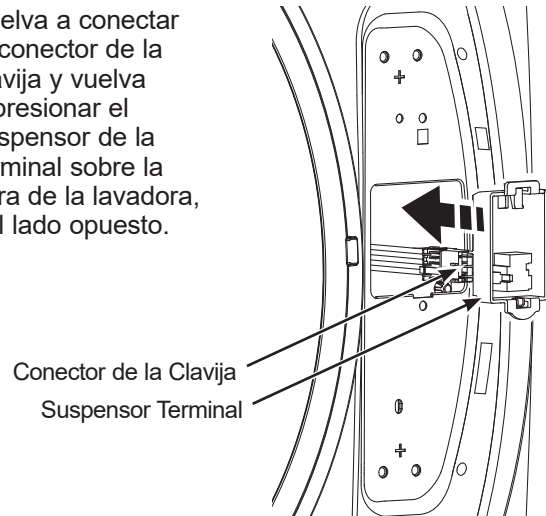
Vista del Lado Frontal

- Instale la tapa del bloqueo sobre el ensamble del bloqueo, asegurándose de que el interruptor del bloqueo funcione de forma libre. Reemplace sus tornillos.



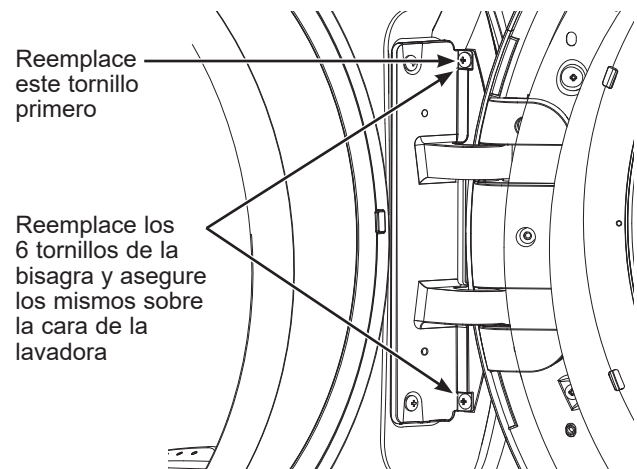
8 VUELVA A CONECTAR EL CONECTOR DE LA CLAVIJA DESDE LA LAVADORA Y REEMPLACE EL SUSPENSOR DE LA TERMINAL

- Vuelva a conectar el conector de la clavija y vuelva a presionar el suspensor de la terminal sobre la cara de la lavadora, del lado opuesto.



9 RETIRE EL ENSAMBLE DE LA PUERTA

- Levante el ensamble de la puerta hasta su posición y asegure el mismo sobre la cara de la lavadora con sus 6 tornillos.



- Cierre la puerta de la lavadora.

NOTA: Masegúrese de que la puerta se abra y se cierre de forma correcta. De no ser así, repita todos los pasos y asegúrese de que todas las partes y tornillos queden posicionados de forma segura.

- Conecte el cable de corriente y encienda el disyuntor.
- Haga que la lavadora realice un ciclo completo, a fin de verificar que su funcionamiento sea correcto.

Consejos para la solución de problemas

Se recomienda enfáticamente conectar la lavadora al WiFi a fin de descargar el software más reciente, recibir actualizaciones de forma periódica y acceder a los beneficios de muchas de las funciones extendidas que están disponibles a través de la Aplicación SmartHQ. Muchas de las funciones de Inteligencia Artificial de su lavadora requieren conexión a la Aplicación SmartHQ. Esto podrá resolver algunos problemas que figuran a continuación.

Problema	Causas posibles	Solución
No hay drenaje No hay rotación No hay giro	La carga está desequilibrada	Redistribuya las prendas y accione el Rinse & Spin (Enjuague & Centrifugado). Aumente el tamaño de la carga si lava una carga pequeña que contiene elementos pesados y livianos.
	El filtro de la bomba podría estar obstruido	Ver la Cuidado y limpieza sobre cómo limpiar el Filtro de la bomba .
	La manguera de drenaje está torcida o mal conectada	Enderece la manguera de drenaje y verifique que la lavadora no la esté aplastando.
	El drenaje de la vivienda puede estar obstruido	Controle la cañería de la vivienda. Quizás deba llamar a un plomero
	La manguera de drenaje hace efecto sifón; la manguera de drenaje se ha empujado muy profundamente dentro del drenaje	Verifique que haya un espacio de aire entre la manguera y el drenaje
Fugas de agua	La junta de la puerta está desbalanceada	Revise que la junta esté colocada en su sitio y que no se haya roto. Los objetos dejados en los bolsillos podrían causar daños a la lavadora (clavos, tornillos, lápices, bolígrafos). El agua podría gotear de la puerta cuando la misma está abierta. Esto forma parte del funcionamiento normal. Con cuidado limpie el sellado de goma de la puerta. A veces quedan suciedades o prendas en este sellado y pueden provocarse pequeñas pérdidas.
	Revise la parte posterior izquierda de la lavadora para verificar si hay presencia de agua	Si esta área se encuentra mojada, existe una condición haya roto. Los objetos dejados en los bolsillos podrían detergente
	Las tuberías de toma de agua la tubería de desagüe no se han conectado correctamente	Asegúrese de que se han apretado correctamente las conexiones de las tuberías de la lavadora y las llaves de paso y que el extremo de la tubería de desagüe se ha introducido y fijado correctamente al desagüe.
	Puede que la tubería de desagüe de la vivienda esté obstruida	Compruebe las tuberías de la vivienda. Puede que sea necesario llamar a un plomero.
	Depósito tapado	El jabón en polvo puede provocar atascos dentro del depósito y hacer que salga agua desde el frente del depósito. Quite el cajón y límpielo, al igual que la parte interna de la caja del depósito. Consulte la sección de Cuidado y limpieza .
	Uso incorrecto del detergente	Use sólo detergente HE en la cantidad correcta.
	Rotura en la caja del depósito	Si la instalación es nueva, controle que no haya roturas en la parte interna de la caja del depósito.
	Las prendas están muy mojadas	La carga está desequilibrada
El filtro de la bomba podría estar obstruido		Ver la Cuidado y limpieza sobre cómo limpiar el Filtro de la bomba .
Carga excesiva		El peso seco de la carga debe ser menor a 16 lb.
La manguera de drenaje está torcida o mal conectada		Enderece la manguera de drenaje y verifique que la lavadora no la esté aplastando.
El drenaje de la vivienda puede estar obstruido		Controle la cañería de la vivienda. Quizás deba llamar a un plomero.
La manguera de drenaje hace efecto sifón; la manguera de drenaje se ha empujado muy profundamente dentro del drenaje.		Verifique que haya un espacio de aire entre la manguera y el drenaje.

Consejos para la solución de problemas

Problema	Causas posibles	Solución
Ciclo incompleto o el temporizador no avanza	Redistribución de carga automática	El temporizador puede sumar hasta 3 minutos de ciclo para cada rebalanceo. Pueden efectuarse 11 o 15 reequilibrios. Esto es una operación normal. No haga nada; la máquina finalizará el ciclo de lavado.
	El filtro de la bomba podría estar obstruido	Ver la Cuidado y limpieza sobre cómo limpiar el Filtro de la bomba .
	La manguera de drenaje está torcida o mal conectada	Enderece la manguera de drenaje y verifique que la lavadora no la esté aplastando.
	El drenaje de la vivienda puede estar obstruido	Controle la cañería de la vivienda. Quizás deba llamar a un plomero.
	La manguera de drenaje hace efecto sifón; la manguera de drenaje se ha empujado muy profundamente dentro del drenaje	Verifique que haya un espacio de aire entre la manguera y el drenaje.
Ruido fuerte o inusual; vibración o movimiento	Se mueve el gabinete	La lavadora está diseñada para moverse 1/4" para reducir las fuerzas transmitidas al piso. Este movimiento es normal.
	Las patas de nivelación de goma no tocan el piso firmemente	Presione y tire en la parte trasera derecha y luego en la parte trasera izquierda de su lavadora para verificar que esté nivelada. Si la lavadora está desequilibrada, ajuste las patas de nivelación de goma para que estén firmemente en contacto con el piso y trabadas en su lugar.
	Carga desequilibrada	Pausar la unidad, abra la puerta y redistribuya la carga manualmente. Para controlar la máquina, accione el enjuague y centrifugado sin carga. Si es normal, el desequilibrio fue provocado por la carga.
	El filtro de la bomba podría estar obstruido	Ver la Cuidado y limpieza sobre cómo limpiar el Filtro de la bomba .
No hay suministro eléctrico/la lavadora no está en funcionamiento	La lavadora está desconectada	Asegúrese de que el cable esté enchufado de manera segura en un enchufe funcional.
	El suministro de agua está cerrado	Abra por completo las llaves de paso de agua fría y caliente.
	El interruptor/fusible se ha quemado/saltado	Compruebe los interruptores/fusibles de la vivienda. Cambie los fusibles o restablezca el interruptor. La lavadora debe tener una toma individual.
	Revisiones automáticas del sistema	La primera vez que se enchufa la lavadora, se efectúan las verificaciones automáticas. Podrían pasar hasta 20 segundos antes de que pueda utilizar su lavadora. Esto forma parte del funcionamiento normal.
"H2O SUPPLY" (Suministro de H2O) aparece en la pantalla	No ingresa agua a la lavadora	Para más detalles, consulte la sección del Indicador de Ayuda al Consumidor .
"CANCELEd" (Cancelado) aparece en la pantalla.	La lavadora quedó en pausa o se detuvo	Para más detalles, consulte la sección del Indicador de Ayuda al Consumidor .
"door" (puerta) aparece en la pantalla	La puerta no está completamente cerrada o se iniciaron 3 ciclos sin ninguna apertura de puerta entre estos	Para más detalles, consulte la sección del Indicador de Ayuda al Consumidor .
Enganchones, agujeros, Ver rotos, rasgaduras o deterioro excesivo	Sobrecargado	No supere los tamaños máximos recomendados de carga. Ver la sección de Carga para los tamaños máximos recomendados de carga.
	Lápices, bolígrafos, clavos, tornillos u otros objetos dejados en los bolsillos	Retire todos los elementos sueltos de los bolsillos.
	Alfileres, broches, corchetes, botones en punta, hebillas de cinturones, cremalleras y objetos puntiagudos olvidados en los bolsillos	• Abroche los corchetes, broches, botones y cremalleras.
Error o cambios en el control de tiempo	Esto es normal	Durante el giro, es posible que en ocasiones se necesite volver a equilibrar la carga de la lavadora a fin de reducir vibraciones. Cuando esto sucede, se produce como consecuencia una prolongación en el tiempo estimado de lavado.

Consejos para la solución de problemas

Problema	Causas posibles	Solución
Cantidad de agua insuficiente	Esto es normal	Las lavadoras horizontales no requieren que el tubo se llene de agua, como sí ocurre con las lavadoras con carga superior.
La lavadora se detiene o se debe reiniciar o la puerta de la lavadora está bloqueada y no se abre	El filtro de la bomba podría estar obstruido	Ver la Cuidado y limpieza sobre cómo limpiar el Filtro de la bomba .
La puerta no se destraba o presiona Start (inicio) y la máquina no funciona	Esto es normal	Las lavadoras con tapa frontal comienzan su funcionamiento de manera diferente que las lavadoras con carga superior, y toma varios segundos realizar un control del sistema. La puerta se bloqueará y desbloqueará.
	Funcionamiento incorrecto	Simplemente abra y cierre la puerta firmemente y luego presione Start (Iniciar).
El agua no ingresa a la lavadora o ingresa muy lentamente	Auto-controles automáticos del sistema	Después de presionar Start (Iniciar), la lavadora realiza varios controles del sistema. El agua comenzará a correr varios segundos después de presionar Start (Iniciar).
	Los filtros de válvula de agua quedaron trabados	Cierre el suministro de agua y quite las mangueras de conexión de agua de la parte superior trasera de la lavadora. Utilice un cepillo o escarbadientes para limpiar los filtros de la máquina. Vuelva a conectar las mangueras y abra el suministro de agua.
	Arandelas del filtro de entrada de agua están obstruidos	Cierre la llave de paso y quite las tuberías de conexión de agua de la parte trasera superior de la lavadora. Utilice un cepillo o un palillo de dientes para limpiar los filtros de la lavadora. Vuelva a conectar las tuberías y abra la llave de paso.
	El filtro de la bomba podría estar obstruido	Ver la Cuidado y limpieza sobre cómo limpiar el Filtro de la bomba .
	Las mangueras de llenado puede estar torcida	Verifique que las mangueras de llenado no se encuentren torcidas o tapadas.
	El suministro de agua está cerrado	Abra por completo los grifos de agua caliente y fría.
	Eficiencia de energía	Esta es una lavadora con buen rendimiento de energía. Como resultado, las configuraciones de temperatura para esta lavadora pueden ser diferentes a las de una lavadora común sin esta característica.
	Suministro de agua insuficiente	Asegúrese de que el suministro de agua esté accionado. Verifique que los grifos de agua estén abiertos por completo.
	La puerta de la lavadora está abierta	La puerta de la lavadora debe estar cerrada durante todas las operaciones de ciclo de lavado. Si se abre la puerta durante una operación de lavado, todas las funciones se detendrán, incluyendo el ingreso de agua.
Conexión incorrecta de la manguera de llenado	Asegúrese de que las mangueras de llenado conecten el suministro de agua caliente a la entrada de agua caliente de la lavadora y el suministro de agua fría a la entrada de agua fría (caliente a caliente, fría a fría).	
Formación de arrugas	Clasificación inadecuada	No mezcle elementos pesados (como prendas de trabajo) con prendas livianas (como blusas).
	Carga excesiva	Cargue la lavadora de manera que haya suficiente espacio para que las prendas se muevan libremente.
	Ciclo de lavado incorrecto	Coincida la selección del ciclo con el tipo de tela que está lavando (especialmente para cargas de cuidado fácil).
	Lavados repetidos en agua demasiado caliente	Lave con agua tibia o fría.

Consejos para la solución de problemas

Problema	Causas posibles	Solución	
Prendas grises o amarillentas	No se colocó suficiente detergente	Use la cantidad correcta de detergente.	
	No se usó detergente HE (alta eficiencia)	Use sólo detergente HE.	
	Agua dura		Utilice agua caliente segura para las telas.
			Utilice un acondicionador de agua como Calgon o instale un suavizante de agua.
	El agua no está lo suficientemente caliente	Verifique que el calentador de agua esté suministrando agua a 120°–140°F (48°–60°C).	
	El detergente no se disuelve o usa demasiado suavizante de tela	Pruebe con un detergente HE líquido. Use menos suavizante de tela.	
Transferencia de colores	Divida las prendas por color. Si la etiqueta de la tela dice “lavar por separado”, puede indicarse colores inestables.		
Manchas de color	Uso incorrecto del suavizante de telas	Consulte el paquete del suavizante de telas sobre las instrucciones y siga las indicaciones de uso del depósito.	
	Dye transfer	<p>Separe los blancos o los colores claros de los colores oscuros.</p> <p>Quite rápidamente la carga de la lavadora.</p>	
La temperatura del agua es incorrecta	El suministro de agua está mal conectado	Verifique que las mangueras estén conectadas a los grifos correctos	
	El calentador de agua de la vivienda no está bien configurado	Verifique que el calentador de agua de la vivienda esté suministrando agua a 120°–140°F (48°–60°C).	
Mal olor dentro de la lavadora	La lavadora no se usó durante un período prolongado, no se utiliza una calidad recomendada de detergentes HE (alta eficiencia) o se está usando demasiado detergente	De forma regular use UTRAFRESH VENT (Ventilación Ultra Fresca) entre usos.	
		En caso de un fuerte olor, puede necesitarse el funcionamiento del ciclo Self Clean (Limpieza de tambor) más de una vez.	
		Use sólo la cantidad de detergente recomendada o ajuste SmartDispense (Dispensado Inteligente) en LOW (Bajo).	
		Use sólo detergente HE (alta eficiencia).	
		Retire siempre los artículos húmedos de la lavadora inmediatamente después de que la máquina deje de funcionar o usar 1 Step Wash + Dry o Tumble Care .	
		Si elige no usar el Sistema UTRAFRESH VENT (Ventilación Ultra Fresca), deje la puerta entornada de modo que la lavadora se seque con el aire. Se requiere una supervisión estricta cuando este aparato es utilizado por niños o en su cercanía. NO permita que los niños jueguen sobre o dentro de este electrodoméstico.	
		Hay residuos de pelusa, etc. en el filtro de la bomba de drenaje, los cuales se deberán limpiar	Ver la Cuidado y limpieza sobre cómo limpiar el Filtro de la bomba .
La manguera de drenaje se ha empujado muy profundamente dentro del drenaje	Consulte la sección Instrucciones de instalación para obtener información sobre la instalación adecuada.		
Pérdida de detergente	Esto es normal	Es normal ver una pérdida de detergente sobre la junta de la puerta alrededor de 20 segundos después de llenar el depósito.	
Dosificación inadecuada de suavizante o blanqueador	Depósito tapado	Monthly clean the dispenser drawer to remove buildup of chemicals.	
	Se colocó suavizante o blanqueador por encima de la línea máxima de llenado.	Asegúrese de contar con la cantidad correcta de suavizante.	
El cajón dispensador no dispensa de forma adecuada	El paquete de detergente para ropa sucia se colocó en el cajón dispensador	Los paquetes de detergente de ropa sucia no deberían ser usados en el dispensador. Sólo se deberían agregar directamente a la canasta de la lavadora, siguiendo las instrucciones del fabricante.	
La bomba funciona mientras la lavadora no se encuentra en uso	Atascada en el drenaje del sumidero	Esto es normal. El drenaje del sumidero está detectando un nivel de llenado de agua no deseado desde un grifo posiblemente abierto. Cierre la válvula de agua e inspeccione que no haya bloqueos en la misma. Asegúrese de contar con las actualizaciones más recientes para su lavadora, disponibles a través de la Aplicación SmarHq.	

Garantía limitada de la lavadora GE Appliances

GEAppliances.com

Todo el servicio de garantía es provisto por nuestros Centros de Servicio de Fabricación, o un técnico autorizado de Servicio al Cliente (Customer Care®). Para programar una visita del servicio técnico, visítenos a través de Internet en **GEAppliances.com/service**, o llame GE Appliances al 800.GE.CARES (800.432.2737). Cuando llame para solicitar el servicio, tenga los números de serie y modelo disponibles.

Para realizar el servicio técnico de su electrodoméstico se podrá requerir el uso de datos del puerto de abordaje para su diagnóstico. Esto da al técnico del Servicio de Fábrica de GE Appliances la habilidad de diagnosticar de forma rápida cualquier problema con su electrodoméstico, y de ayudar a GE Appliances a mejorar sus productos al brindarle a GE Appliances la información sobre su electrodoméstico. Si no desea que los datos de su electrodoméstico sean enviados a GE Appliances, solicitamos que le indique a su técnico NO entregar los datos a GE Appliances en el momento del servicio.

Por el Período de:	Se sustituirá:
Un Año Desde la fecha de compra original	Cualquier pieza de la lavadora que falle debido a un defecto de los materiales o la mano de obra. Durante esta garantía limitada de un año , también ofrecemos, en forma gratuita , toda la mano de obra y los costos de servicio para reemplazar la pieza defectuosa.
Diez años Desde la fecha de compra original	El motor , si falla debido a un defecto de fabricación o de mano de obra. Durante estos nueve años adicionales de garantía limitada , usted será responsable por cualquier trabajo y los costos relacionados con el servicio técnico.

Qué No Cubrirá GE Appliances:

- Viajes del personal de servicio a su casa para enseñarle cómo usar su producto.
- Instalación, entrega o mantenimiento inapropiada.
- Fallas del producto si es maltratado, mal usado, o usado para un propósito diferente del que se creó o si es usado para usos comerciales.
- Cambio de los fusibles de su casa o reajuste del circuito de interruptores.
- Productos sin defectos o rotos, o los cuales se encuentran funcionando como se indica en el Manual del propietario.
- Daños al producto causados por accidentes, incendios, inundaciones o actos de la naturaleza.
- Daños imprevistos resultantes causados por posibles defectos con este electrodoméstico.
- Defectos o daños debido a la puesta en funcionamiento a temperaturas de congelación.
- Daños causados después del envío.
- Producto no accesible para facilitar el servicio requerido.

EXCLUSIÓN DE GARANTÍAS IMPLÍCITAS

Su única y exclusiva alternativa es la reparación del producto, como se indica en la Garantía Limitada. Las garantías implícitas, incluyendo garantías implícitas de comerciabilidad o conveniencia sobre un propósito particular, se limitan a un año o al período más corto permitido por la ley.

Esta garantía limitada se extiende al comprador original y a cualquier propietario subsecuente para productos comprados para uso doméstico dentro Estados Unidos. Si el producto está situado en un área que no dispone de servicio por parte de un proveedor de servicio autorizado de GE Appliances, podría tener que hacerse cargo de los costes de envío o bien podría solicitársele que lleve el producto a un centro de servicio de GE Appliances autorizado para realizar la reparación. En Alaska, la garantía limitada excluye el costo de envío o las visitas de servicio a su casa.

Algunos estados no permiten la exclusión o limitación de daños imprevistos. Esta garantía limitada le da sus derechos legales específicos, y es posible que usted tenga otros derechos legales que varían de estado a estado. Para informarse de cuáles son sus derechos legales, consulte a su oficina de asuntos del consumidor local o estatal o póngase en contacto con la Oficina de su Procurador General.

Garante: GE Appliances, a Haier company, Louisville, KY 40225

Garantías Extendidas: Adquiera una garantía extendida de GE Appliances y conozca los descuentos especiales que están disponibles mientras su garantía aún está vigente. Puede acceder a la misma a través de Internet en cualquier momento en

geappliances.com/extended-warranty

o llamando al 800.626.2224 durante el horario comercial. Los Servicios para los GE Appliances aún estarán disponibles cuando su garantía caduque.

Aproche su recibo aquí. Para acceder al servicio técnico de acuerdo con la garantía deberá contar con la prueba de la fecha original de compra.

Soporte para el Consumidor

Sitio Web de GE Appliances

¿Desea realizar una consulta o necesita ayuda con su electrodoméstico? ¡Intente a través del Sitio Web de GE Appliances las 24 horas del día, cualquier día del año! Usted también puede comprar más electrodomésticos maravillosos de GE Appliances y aprovechar todos nuestros servicios de soporte a través de Internet, diseñados para su conveniencia. GEAppliances.com.

Registre su Electrodoméstico

¡Registre su electrodoméstico nuevo a través de Internet, según su conveniencia! Un registro puntual de su producto permitirá una mejor comunicación y un servicio más puntual de acuerdo con los términos de su garantía, en caso de surgir la necesidad. También puede enviar una carta en la tarjeta de inscripción preimpresa que se incluye con el material embalado. GEAppliances.com/register.

Servicio Programado

El servicio de reparación de expertos de GE Appliances está a sólo un paso de su puerta. Conéctese a través de Internet y programe su servicio a su conveniencia cualquier día del año.

GEAppliances.com/service o comuníquese al 800.432.2737 durante el horario de atención comercial.

Garantías Extendidas

Adquiera una garantía extendida de GE Appliances y conozca los descuentos especiales que están disponibles mientras su garantía aún está vigente. La puede adquirir en cualquier momento a través de Internet. Los servicios de GE Appliances aún estarán allí cuando su garantía caduque.

GEAppliances.com/extended-warranty o comuníquese al 800.626.2224 durante el horario de atención comercial.

Conectividad Remota

Para solicitar asistencia para la conectividad de red inalámbrica (para modelos con acceso remoto), visite nuestro sitio web en GEAppliances.com/connect o comuníquese al 800.220.6899.

Piezas y Accesorios

Aquellos individuos calificados para realizar el servicio técnico de sus propios electrodomésticos podrán solicitar el envío de piezas o accesorios directamente a sus hogares (se aceptan las tarjetas VISA, MasterCard y Discover). Ordene hoy a través de Internet durante las 24 horas, todos los días. GEApplianceparts.com o de forma telefónica al 877.959.8688 durante el horario de atención comercial.

Las instrucciones que figuran en este manual cubren los procedimientos que serán realizados por cualquier usuario. Otros servicios técnicos generalmente deben ser derivados a personal calificado del servicio. Se deberá tener cuidado, ya que una reparación indebida podrá hacer que el funcionamiento no sea seguro.

Contáctenos

Si no se encuentra satisfecho con el servicio que recibió de GE Appliances, comuníquese con nosotros a través de nuestro sitio Web con todos los detalles, incluyendo su número telefónico, o escriba a:

General Manager, Customer Relations | GE Appliances, Appliance Park | Louisville, KY 40225
GEAppliances.com/contact o comuníquese al 800.626.2000