

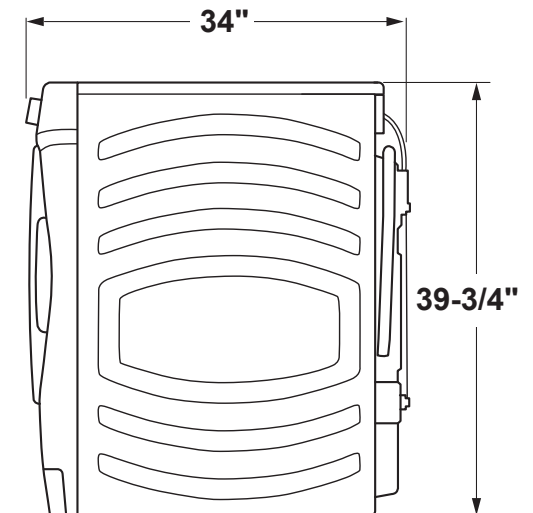
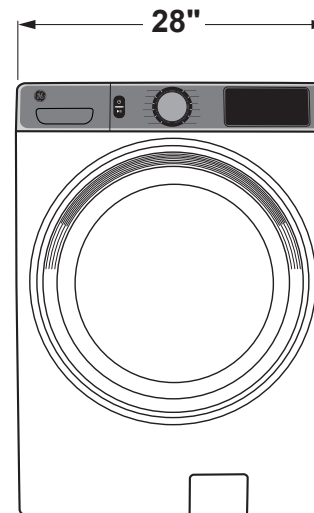
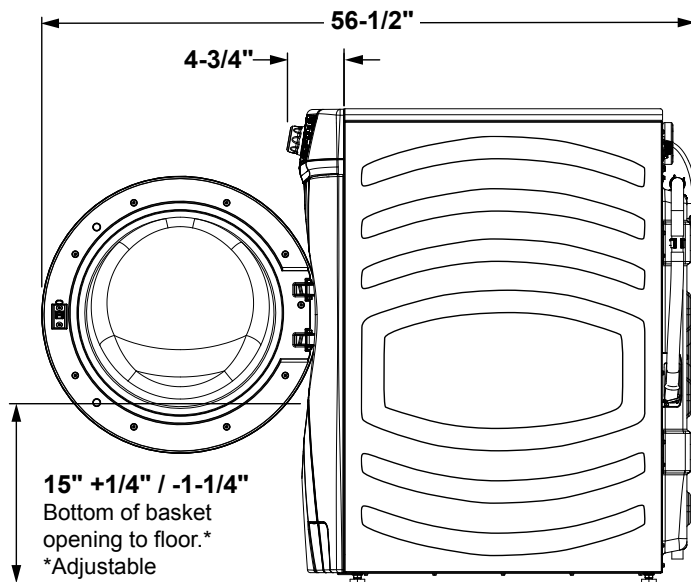
PFW950SPTDS

GE Profile™ 5.3 cu. ft. Capacity Smart Front Load ENERGY STAR® Steam Washer with Adaptive SmartDispense™ UltraFresh™ Vent System+ with OdorBlock™

DIMENSIONS AND INSTALLATION INFORMATION (IN INCHES)

ELECTRIC RATING	
120V	11.0A, 60Hz

INSTALLATION INFORMATION: For complete information, see installation instructions packed with your washer.



*With leveling leg adjust.



For answers to your Monogram, GE Café™, GE Profile™ or GE Appliances product questions, visit our website at geappliances.com or call GE Answer Center® Service, 800.626.2000.



Specification Revised 6/22

PFW950SPTDS

GE Profile™ 5.3 cu. ft. Capacity Smart Front Load ENERGY STAR® Steam Washer with Adaptive SmartDispense™ UltraFresh™ Vent System+ with OdorBlock™

SPECIAL INSTALLATION REQUIREMENTS:

STACKED INSTALLATION:

-Brackets for stacking dryer over washer are not included with the washer. Order part no. GFA28KITN.

ALCOVE OR CLOSET INSTALLATION:

- If your dryer is approved for installation in an alcove or closet, it will be stated on a label on the dryer back.
- The dryer MUST be exhausted to the outside.
- Minimum clearances between dryer cabinet and adjacent walls or other surfaces are: 0" all sides and top.*
- Closet doors must be louvered or otherwise ventilated and must contain a minimum of 60 sq. in. of open area equally distributed. If this closet contains both a washer and a dryer, doors must contain a minimum of 120 sq. in. of open area equally distributed.
- No other fuel-burning appliance shall be installed in the same closet with a gas dryer.

BATHROOM OR BEDROOM INSTALLATION:

- The dryer MUST be exhausted to the outdoors.
- The installation must conform with the local codes, or in the absence of local codes, with the National Electric Code and National Fuel Gas Code, ANSI Z223.

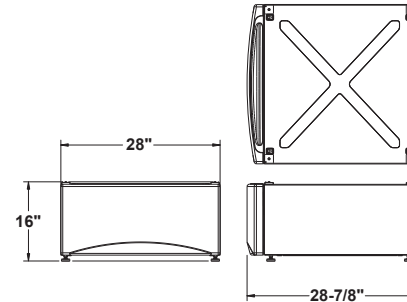
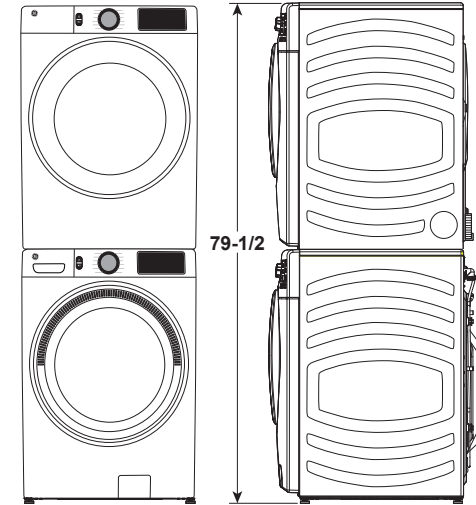
MINIMUM CLEARANCE OTHER THAN ALCOVE OR CLOSET INSTALLATIONS:

-Minimum clearances to combustible surfaces 0" all sides and top.*

FOR MORE INFORMATION ON VENTING KITS AND ACCESSORIES, PLEASE CALL 1-800-GE-CARES.

*For improved performance, a 1/2" clearance is suggested on each side.

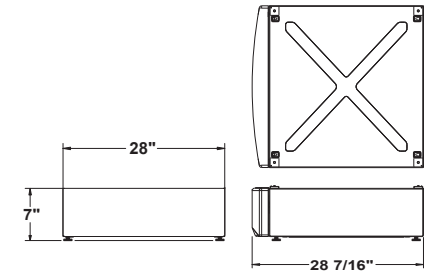
STACKED DIMENSIONS (IN INCHES)



PEDESTAL DIMENSIONS (IN INCHES)

GFP1528PTDS - CARBON GRAPHITE

This optional 16" pedestal raises the door opening and height of the washer or dryer.



RISER DIMENSIONS (IN INCHES)

GFR0728PTDS - CARBON GRAPHITE

This optional 7" riser raises the door opening and height of the washer or dryer while remaining ADA compliant.



For answers to your Monogram, GE Café™, GE Profile™ or GE Appliances product questions, visit our website at geappliances.com or call GE Answer Center® Service, 800.626.2000.

Specification Revised 6/22

PFW950SPTDS

GE Profile™ 5.3 cu. ft. Capacity Smart Front Load ENERGY STAR® Steam Washer with Adaptive SmartDispense™ UltraFresh™ Vent System+ with OdorBlock™

FEATURES AND BENEFITS

UltraFresh™ Vent System+ - The first and only UltraFresh™ Vent System+ is enhanced with a sensor that detects and eliminates excess moisture to help prevent odors, ensuring your washer stays fresh and clean.

Microban® Antimicrobial Technology - Get protection that lives on load after load with antimicrobial technology built into components including the gasket, dispenser, and draining system.

Adaptive SmartDispense™ - Save time and effort with a dispenser that holds up to 50 oz. of detergent and intelligently dispenses the right amount based on your choice of detergent.

Smart Features Powered by SmartHQ™ - With SmartHQ™, you can make sure your washer always has the latest features, from extra cycles for jeans and swimwear, to customized stain removal technology for treating up to 30 different stains. It also delivers remote status notifications and enables remote capabilities, so you can easily control and monitor your washer from anywhere.

1 Step Wash + Dry - Wash and dry a small load in your washer, eliminating the need to transfer clothes to the dryer.

Adaptive MySettings - By learning your preferences, the washer and dryer personalize your cycle selections automatically.

Sanitize + Allergen - This industry-first cycle sanitizes fabrics to kill 99% of common bacteria and allergens such as dust mites.

Dynamic Balancing Technology (dB™) - Our patented time saving technology senses and rebalances uneven loads during the spin cycle, providing a quiet wash.

Reversible Door - Easily reverse your washer and dryer door for superior installation flexibility.

PowerSteam - Steam safely penetrates deep into fabric fibers, loosening stains and delivering enhanced cleaning performance.

ENERGY STAR® Qualified - Meets or exceeds federal guidelines for energy efficiency for year-round energy and money savings.

Model PFW950SPTDS - Carbon Graphite



PFD95ESPTDS

GE Profile™ 7.8 cu. ft. Capacity Smart Front Load Electric Dryer with Steam and Sanitize Cycle

DIMENSIONS AND INSTALLATION INFORMATION (IN INCHES)

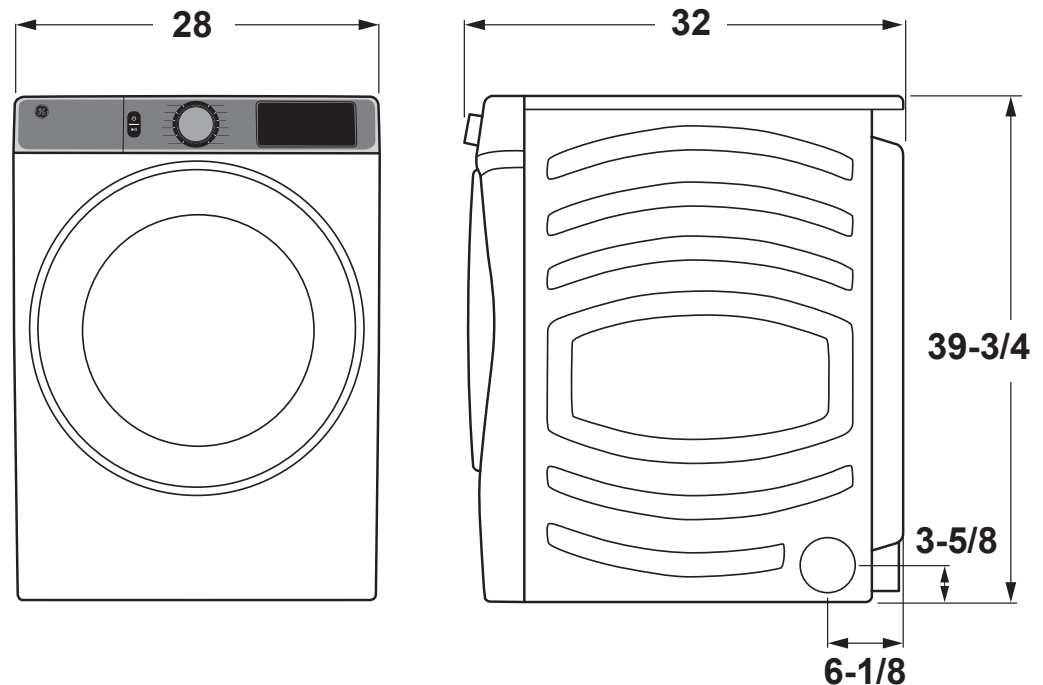
ELECTRIC DRYER RATING	
120V/240V	5600W, 25A, 60Hz
120V/208V	4300W, 23A, 60Hz

EXHAUST OPTIONS: 4-way via rear, left, right, and bottom. (The right, left, and bottom venting options require Side Vent Kit: GFA28DSVN)

CIRCUIT REQUIREMENTS: An individual, properly grounded branch circuit, protected by a 30-amp circuit breaker or a time-delay fuse, is required.

NOTE: Dryer wall outlet must be located within 36" of service cord entry and accessible when dryer is mounted in position.

INSTALLATION INFORMATION: For complete information, see installation instructions packed with your dryer.



For answers to your Monogram, GE Café™, GE Profile™ or GE Appliances product questions, visit our website at geappliances.com or call GE Answer Center® Service, 800.626.2000.



Specification Revised 5/22

PFD95ESPTDS

GE Profile™ 7.8 cu. ft. Capacity Smart Front Load Electric Dryer with Steam and Sanitize Cycle

SPECIAL INSTALLATION REQUIREMENTS:

STACKED INSTALLATION:

Brackets for stacking dryer over washer are not included with the dryer. Order part no. GFA28KITN.

ALCOVE OR CLOSET INSTALLATION:

If your dryer is approved for installation in an alcove or closet, it will be stated on a label on the dryer back.

The dryer MUST be exhausted to the outside.

Minimum clearances between dryer cabinet and adjacent walls or other surfaces are: 0" all sides and top.*

Closet doors must be louvered or otherwise ventilated and must contain a minimum of 60 sq. in. of open area equally distributed. If this closet contains both a washer and a dryer, doors must contain a minimum of 120 sq. in. of open area equally distributed.

No other fuel-burning appliance shall be installed in the same closet with a gas dryer.

BATHROOM OR BEDROOM INSTALLATION:

The dryer MUST be exhausted to the outdoors.

The installation must conform with the local codes, or in the absence of local codes, with the National Electric Code and National Fuel Gas Code, ANSI Z223 for gas dryers.

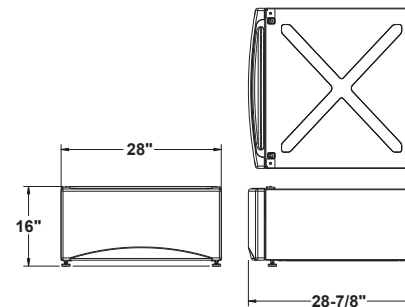
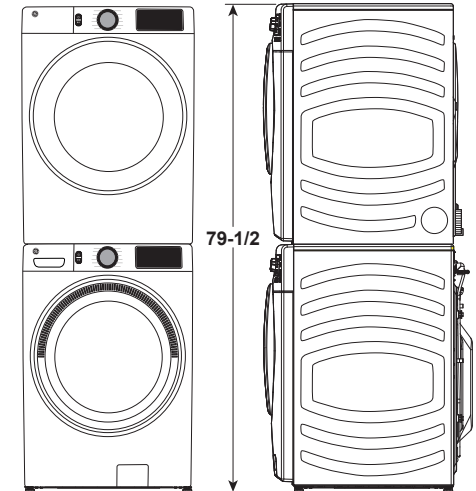
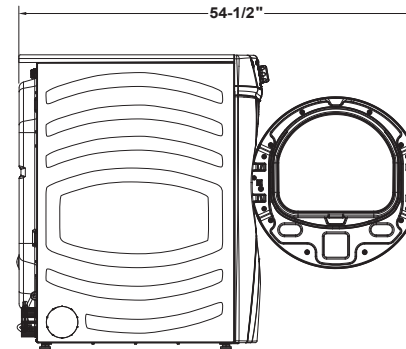
MINIMUM CLEARANCE OTHER THAN ALCOVE OR CLOSET INSTALLATIONS:

Minimum clearances to combustible surfaces 0" all sides and top.*

FOR MORE INFORMATION ON VENTING KITS AND ACCESSORIES, PLEASE CALL 1-800-GE-CARES.

*For improved performance, a 1/2" clearance is suggested on each side.

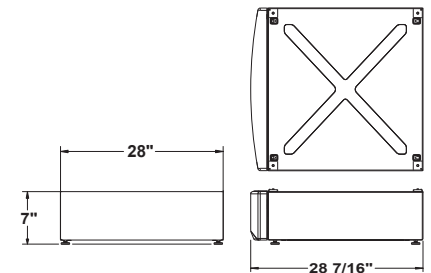
STACKED DIMENSIONS (IN INCHES)



PEDESTAL DIMENSIONS (IN INCHES)

GFP1528PTDS - CARBON GRAPHITE

This optional 16" pedestal raises the door opening and height of the washer or dryer.



RISER DIMENSIONS (IN INCHES)

GFR0728PTDS - CARBON GRAPHITE

This optional 7" riser raises the door opening and height of the washer or dryer while remaining ADA compliant.



For answers to your Monogram, GE Café™, GE Profile™ or GE Appliances product questions, visit our website at geappliances.com or call GE Answer Center® Service, 800.626.2000.



Specification Revised 5/22

PFD95ESPTDS

GE Profile™ 7.8 cu. ft. Capacity Smart Front Load Electric Dryer with Steam and Sanitize Cycle

DRYER EXHAUSTING INFORMATION -METAL DUCT ONLY

For complete information, see installation instructions packed with your dryer.

DUCTING MATERIALS: For best performance, this dryer should be vented with 4" diameter all rigid metal exhaust duct. If rigid metal duct cannot be used, then UL-listed flexible metal (semi-rigid) ducting can be used (Kit WX08X10077). In special installations, it may be necessary to connect the dryer to the house vent using a flexible metal (foil-type) duct. A UL-listed flexible metal (foil-type) duct may be used **ONLY** in installations where rigid metal or flexible metal (semi-rigid) ducting cannot be used **AND** where a 4" diameter can be maintained throughout the entire length of the transition duct. Please see installation instruction packed with your dryer for complete instructions when using flexible metal (foil type) ducting.

EXHAUST LENGTH CALCULATION:

1. Determine the number of 90° turns needed for your installation. If you exhaust to the side or bottom of dryer, add one turn.
2. The maximum length of 4" rigid (aluminum or galvanized) duct which can be tolerated is shown in the table.

A turn of 45° or less may be ignored. Two 45° turns within the duct length should be treated as a 90° elbow.

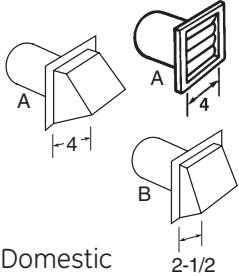
A turn over 45° should be treated as a 90° elbow.

Dryers must be exhausted to the outside.

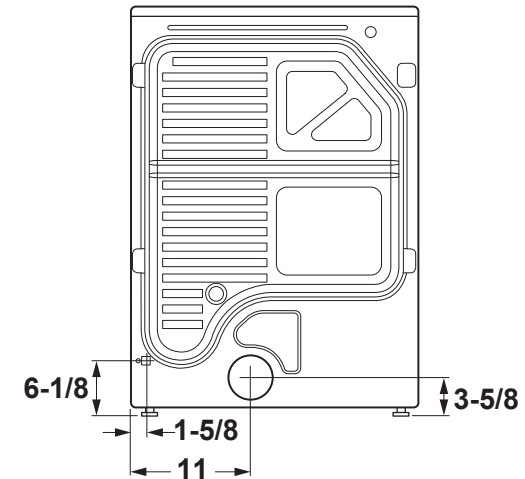
CAUTION: For personal safety do not terminate exhaust into a chimney, under any enclosed house floor (crawl space), or into an attic, since the accumulated lint could create a fire hazard or moisture could cause damage. Never terminate the exhaust into a common duct or plenum with a kitchen exhaust, since the combination of lint and grease could create a fire hazard.

Exhaust ducts should be terminated in a dampered wall cap to prevent back drafts, bird nesting, etc. The wall cap must also be located at least 12" above the ground or any other obstruction with the opening pointed down.

FOR MORE INFORMATION ON VENTING KITS AND ACCESSORIES, PLEASE CALL 1-800-GE-CARES.



		Best performance	
		Maximum length of 4" dia. rigid metal duct	
		Exhaust hood type	
Domestic dryer models	Number of 90° turns	A 4" opening	B 2-1/2" opening
	0	90 ft.	60 ft.
	1	60 ft.	45 ft.
	2	45 ft.	35 ft.
	3	35 ft.	25 ft.
	4	25 ft.	15 ft.



PFD95ESPTDS

GE Profile™ 7.8 cu. ft. Capacity Smart Front Load Electric Dryer with Steam and Sanitize Cycle

FEATURES AND BENEFITS

Steam Sanitize – Sterilize clothing with elevated temperatures designed to kill common household germs and bacteria, while using steam technology to reduce wrinkles and odors.

Adaptive MySettings – By learning your preferences, the dryer personalizes your cycle selections automatically.

Washer Link – Wirelessly link your washer to your dryer so you only have to choose a setting once.

Smart Features Powered by SmartHQ™ – Start, stop and monitor your laundry from anywhere while receiving real-time notifications and updates.

Stainless Steel Drum – Enjoy premium durability with a drum that resists rust and helps protect clothes.

Quick Dry – This cycle quickly dries individual items and small loads, making it perfect for families on the go.

Reduce Static – Prevent static cling with a gentle mist near the end of the cycle.

Wrinkle Care – Prevents wrinkles by extending the tumble without heat.

Damp Alert – Signals when clothes reach the ideal dampness level for ironing or air drying.

Check Vent Notification – Receive a notification when the dryer vent needs to be cleaned, ensuring safe operation and optimal drying performance.

Closet Depth Install – 32" Closet Depth provides installation flexibility with limited space required.

Convenient 4-Way Venting – Flexible venting options allow venting from the front, rear or either side.

ENERGY STAR® Qualified – Meets or exceeds federal guidelines for energy efficiency for year-round energy and money savings.

Model PFD95ESPTDS – Carbon Graphite

