

# GDWT308/368V

## GE® Built-In Dishwasher with Hidden Controls

### Dimensions and Installation Information (in inches)

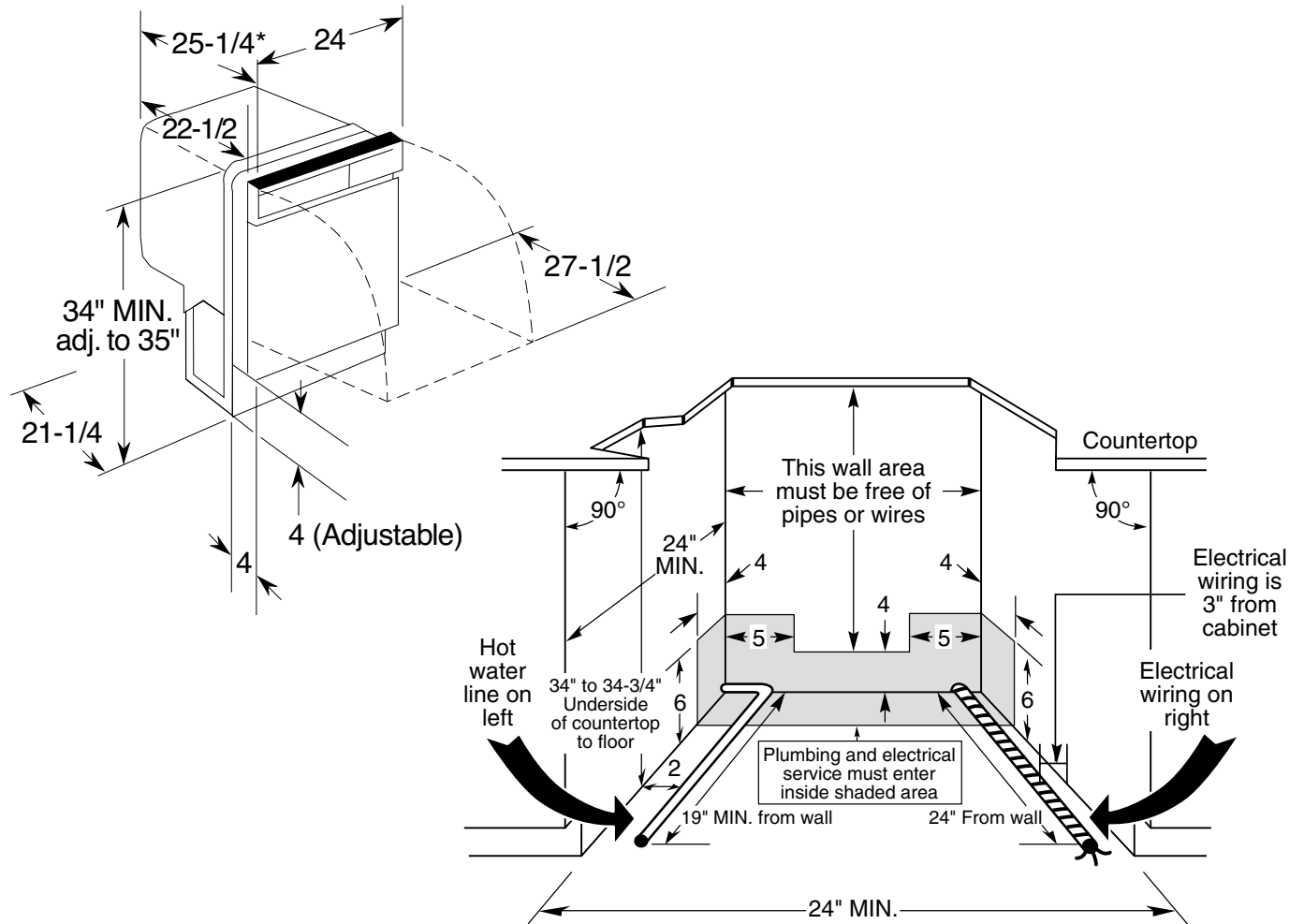
#### Electrical Rating

Voltage AC.....	120
Hertz.....	60
Total connected load amperage.....	9.9
Calrod® heater watts max.....	875

For use on adequately wired 120-volt, 15-amp circuit having 2-wire service with a separate ground wire. This appliance must be grounded for safe operation.

**Installation Information:** Before installing, consult installation instructions packed with product for current dimensional data.

†† Add 1/2" for deepest part of contour door. Allow an additional 2" for the handle on PDWT500/PDWT400/PDWT200 Series models.



For answers to your Monogram®, GE Profile™ or GE® appliance questions, visit our website at [geappliances.com](http://geappliances.com) or call GE Answer Center® service, 800.626.2000.



Listed by Underwriters Laboratories



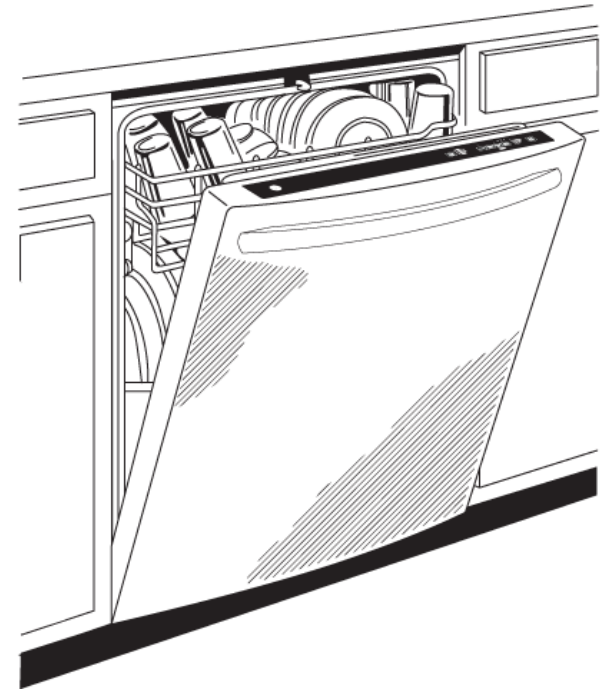
As an ENERGY STAR® partner, GE has determined that this product meets the ENERGY STAR guidelines for energy efficiency.

# GDWT308/368V

## GE® Built-In Dishwasher with Hidden Controls

### Features and Benefits

- 5-stage filtration with Piranha™ hard food disposer - 5 self-cleaning filters ensure clean dishes
- Dedicated silverware jets - Highly pressurized spray jets target the silverware area for improved cleaning
- Steam PreWash - Loosens tough soils before any cycle virtually eliminating the need for soaking or pre-rinsing dishes
- Auto wash cycle - Cycle automatically adjusts to soil level to maximize energy savings and ensure clean dishes
- Natural convection heated dry option - A drying element effectively dries dishes reducing the need to towel dry after unloading
- 52 dBA sound level - Nearly silent two-pump system cleans dirty dishes without disruption
- Two-pump system - One small pump for washing/rinsing and one small pump to remove soils provide excellent wash performance with reduced sound
- ENERGY STAR® qualified and CEE Tier II rated - Meets or exceeds federal guidelines for energy efficiency for year-round energy and money savings
- Pearlescent gray nylon deep-tiered rack with ball-tip tines and StemSafe™ - Long-lasting, durable racks resist rust and secure dishes
- Lower rack fold-down tines - Flexible loading options handle today's dishes and cookware of all shapes and sizes
- SaniWash cycle (NSF residential) - High temperature rinse sanitizes and reduces 99.999% of bacteria found on dishes
- Model GDWT368VSS - Stainless steel (shown)
- Model GDWT308VWW - White on white
- Model GDWT308VBB - Black on black



imagination at work