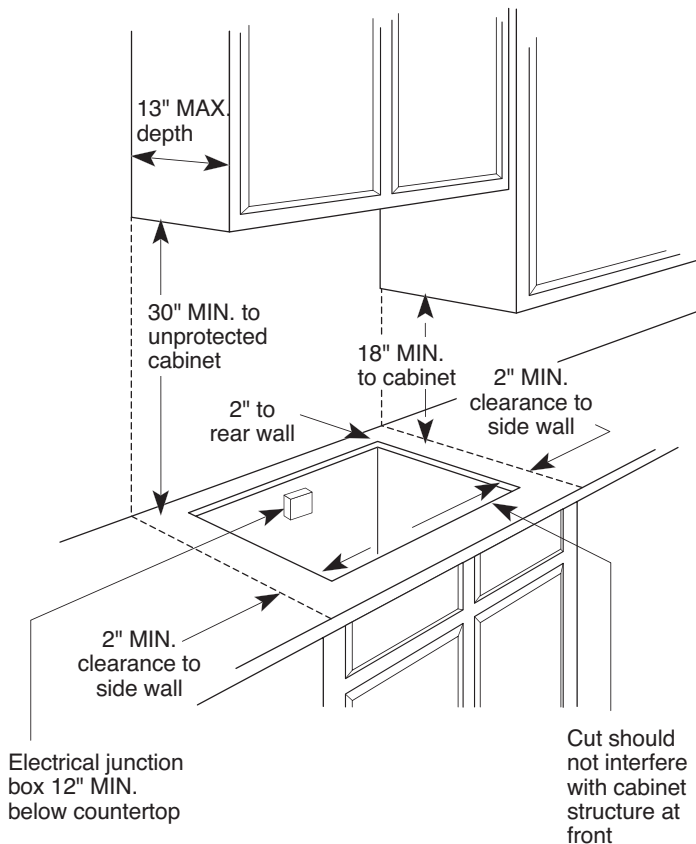




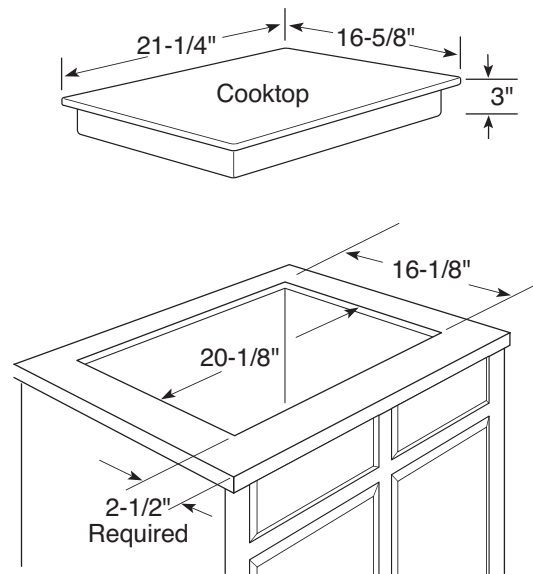
GE Appliances

JP202DWW – GE Built-In Electric Cooktop

Counter Installation (in inches)



Cooktop Dimensions (in inches)



KW Rating	
240V	3.4
208V	2.5

Note: Built-In Electric Cooktops require 1-1/2" free area between the bottom of the cooktop and any combustible material, i.e., shelving. Requires an 18" minimum from cooktop to adjacent overhead cabinets. Units are furnished with a 48" flexible armored cable.

Installation Information: Before installing, consult installation instructions [Pub. No. 31-0978] packed with product for current dimensional data.



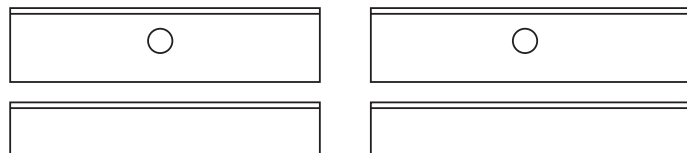
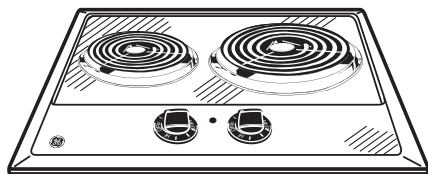
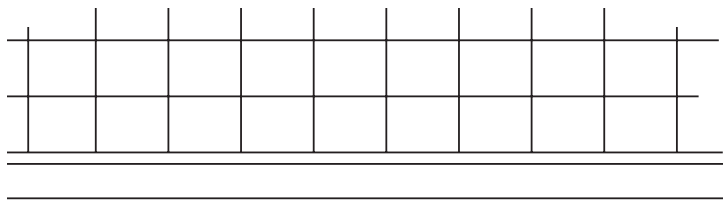
Listed by
Underwriters
Laboratories

For answers to your Monogram®, GE Profile™ or GE® appliance questions, visit our website at GEAppliances.com or call GE Answer Center® service, 800.626.2000.



GE Appliances

JP202DWW – GE Built-In Electric Cooktop



Features and Benefits

- Compact cooktop – Smaller cooktop is ideal for 21" cooktop installations
- Coil heating elements – Provides consistent and even heat on the cooktop with a plug-in element that is removable for easy cleaning
- Chrome drip bowls – Contain minor spills and are removable for easy cleaning
- Heating element "On" light – Illuminates when the cooking surface is activated
- Model JP202DWW – White
- Model JP201CBSS – Stainless steel