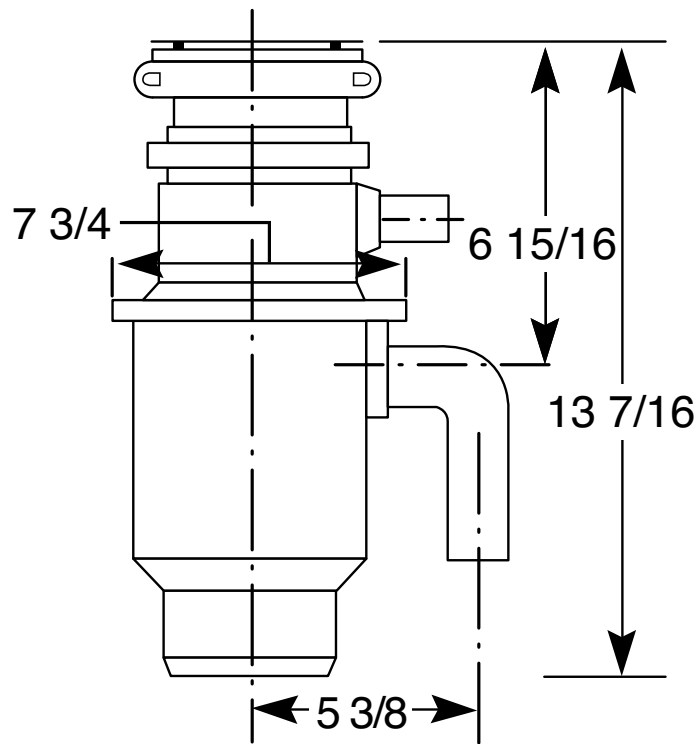




GE Appliances

GFC530V – GE® 1/2 Horsepower Continuous Feed Disposer

Disposall® Food Waste Disposer Dimensions (in inches)



Inlet/Outlet Diameters	
Dishwasher inlet diameter (in.)	3/4
Drain outlet diameter (in.)	1-1/2



For answers to your Monogram®, GE Profile™ or GE appliance questions, visit our website at GEAppliances.com or call GE Answer Center® service, 800.626.2000.



GE Appliances

GFC530V – GE® 1/2 Horsepower Continuous Feed Disposer



Features and Benefits

- 1/2 Horsepower Motor
- ExtraLarge Capacity Continuous Feed Disposer
- Over 2800 RPM Grinding Action*
- Stainless Steel Jam Resistant, Dual Swivel Impellers
- EZ mount installation
- Direct Wire Power Connection
- Sound Reduction Technology
- ColdRolled Carbon Steel Armature Shaft Material
- SplashGuard
- Wall Switch with Sink Stopper
- Manual Reset Overload Protector
- Dishwasher Drain Connector
- Stainless Steel Sink Flange
- Stainless Steel Turntable
- 2 Level Precutter
- Model GFC530V

* Based on RPM testing of cleared GE and competitive models