

# P2B930DET

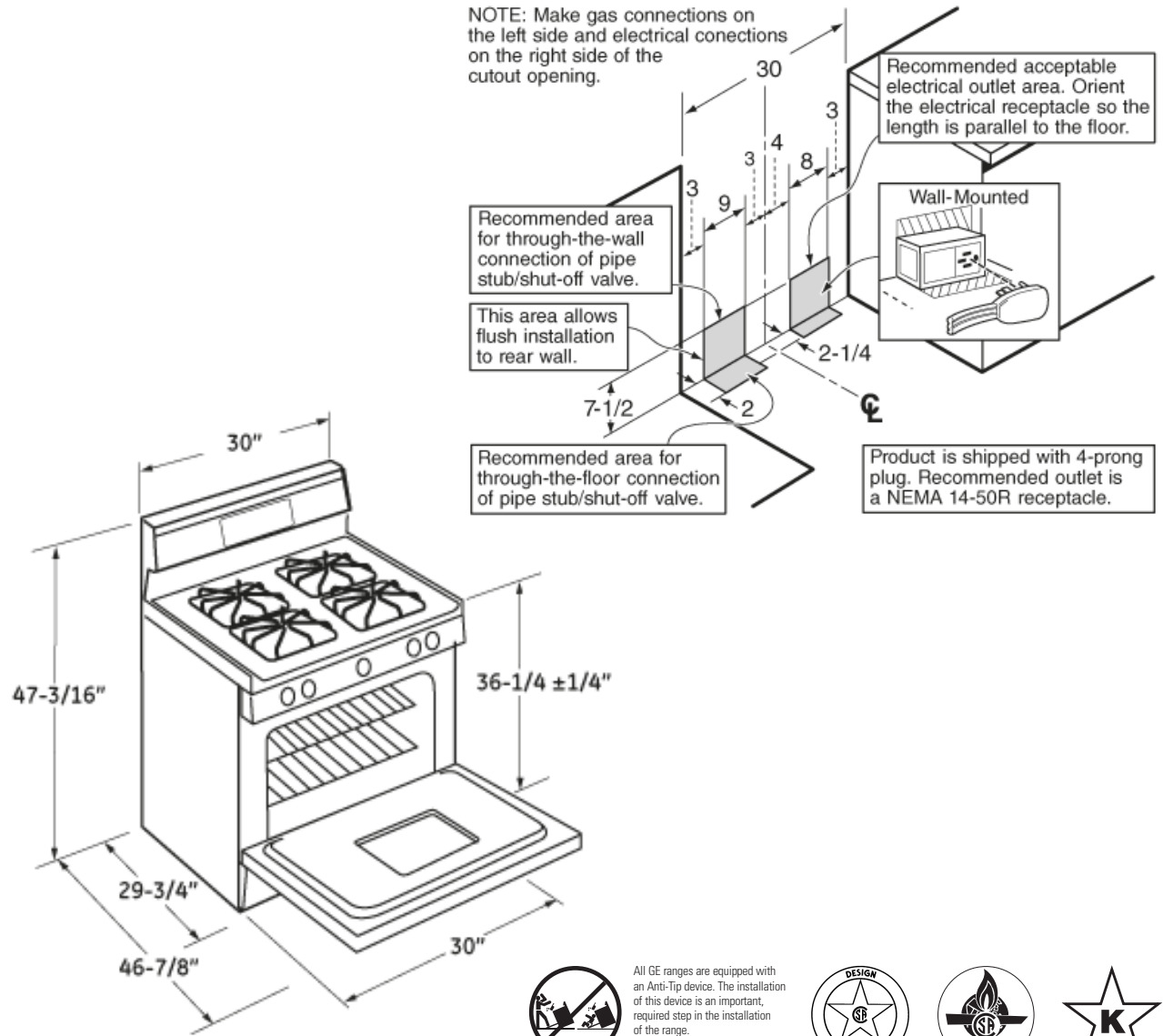
## GE Profile™ 30" Free-Standing Range with Baking Drawer

### Dimensions and Installation Information

**Note:** Dimension from the wall to the front of the closed door handle is 29". Depth to front edge of cooktop 25-1/4". Factory set for Natural Gas. A set of LP orifices is included with each range for LP conversion.

**Installation Information:** Before installing, consult installation instructions packed with product for current dimensional data.

**Electrical Rating:** 240V; 60Hz; 40A



For answers to your Monogram,® GE Profile™ or GE® appliance questions, visit our website at [geappliances.com](http://geappliances.com) or call GE Answer Center® service, 800.626.2000.



All GE ranges are equipped with an Anti-Tip device. The installation of this device is an important, required step in the installation of the range.

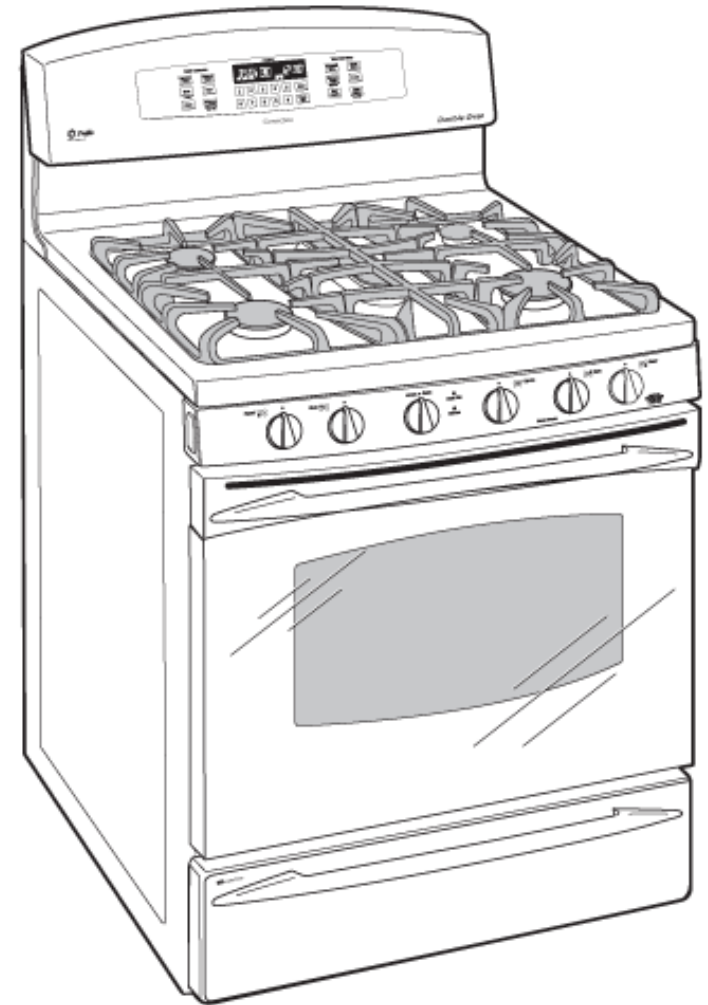


# P2B930DET

## GE Profile™ 30" Free-Standing Range with Baking Drawer

### Features and Benefits

- Convection Bake - This setting is optimal for baking casseroles or lasagnas, yeast breads, pies and pizzas with no need to turn the pan
- Self-Clean Oven - Conveniently cleans the oven cavity without the need for scrubbing
- 5.4 cu. ft. oven capacity - Enough room to cook an entire meal at once
- Baking Drawer - Offers an additional 1.0 cu. ft. of capacity for convenient baking from 140° to 450°
- Reversible cast-iron griddle/grill - Provides the flexibility to sear meats on the grill and cook delicate meals on the griddle
- Center oval burner - Oval fifth burner in the center of the cooktop is large to accommodate odd-sized cookware or griddles
- Precise Simmer - Allows for low, even heat distribution that is ideal for delicate foods and sauces
- Black gloss oven interior - Black oven interior adds a stylish touch to any kitchen
- Model P2B930DETTWW - White on white
- Model P2B930DETTBB - Black on black



imagination at work