

JVM7195SK/DK/EK/EW/FL/RW

GE® 1.9 cu. ft. Over-the-Range Sensor Microwave Oven

DIMENSIONS AND INSTALLATION INFORMATION (IN INCHES)

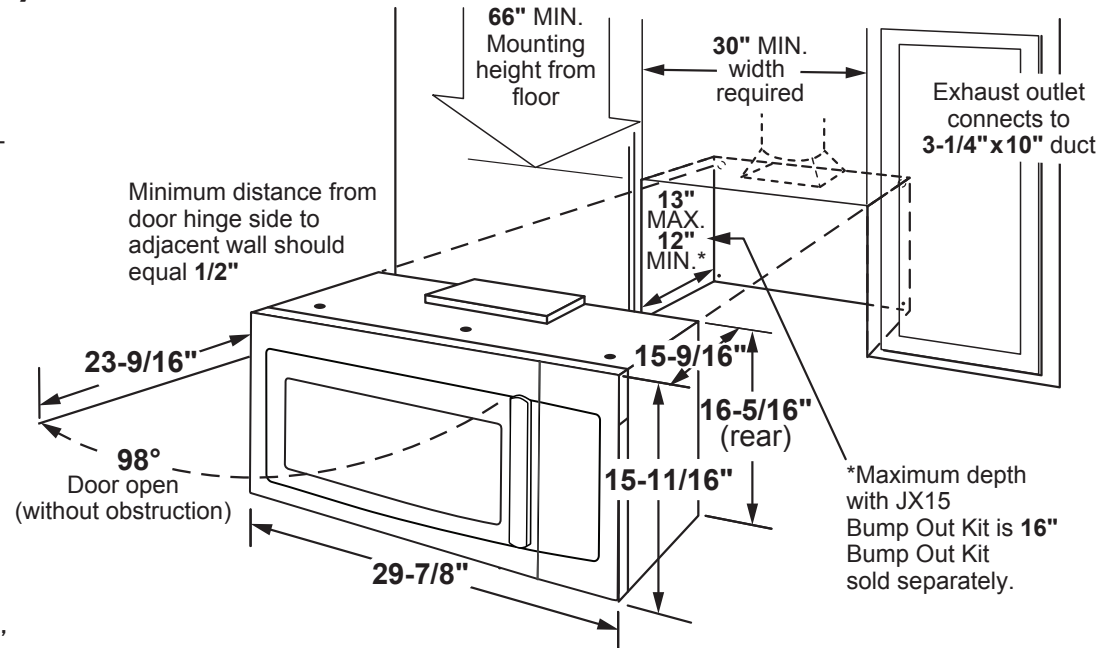
NOTE: Requires 120V grounded outlet. Electrical receptacle must be located in cabinet above microwave oven. No additional wiring, venting or cabinet rebuilding necessary in many cases. Complete detailed, easy-to-follow installation instructions and convenient full-size templates are packed with the microwave oven.

IMPORTANT INFORMATION: When installing the microwave oven over a range, allow minimum of 2" from bottom of microwave oven to top of range backguard to allow for removal of light covers.

VENTILATION OPTIONS: These microwave ovens are designed for adaptation to the following three types of ventilation:

- Outside exhaust (vertical – as shown)
- Outside exhaust (horizontal)
- Recirculating (non-vented ductless – see Filter Kit drawing)

INSTALLATION INFORMATION: This information is not intended to be used for installing unit described. Before installing, consult installation instructions packed with product/kit for current dimensional data.



For answers to your Monogram, Café™, GE Profile™ or GE Appliances product questions, visit our website at geappliances.com or call GE Answer Center® Service, 800.626.2000.



Specification Revised 5/24

JVM7195SK/DK/EK/EW/FL/RW

GE® 1.9 cu. ft. Over-the-Range Sensor Microwave Oven

DIMENSIONS AND INSTALLATION INFORMATION (IN INCHES)

HOOD EXHAUST DUCT: Outside ventilation requires a HOOD EXHAUST DUCT. Read the following carefully.

EXHAUST CONNECTION: The hood exhaust has been designed to mate with a standard 3-1/4" x 10" rectangular duct. If a round duct is required, a rectangular-to-round transition adaptor must be used. Do not use less than a 6" diameter duct.

REAR EXHAUST: If a rear or horizontal exhaust is to be used, care should be taken to align exhaust with space between studs, or wall should be prepared at the time it is constructed by leaving enough space between the wall studs to accommodate exhaust.

MAXIMUM DUCT LENGTH: For satisfactory air movement, the total duct length of 3-1/4" x 10" rectangular or 6" diameter round duct should not exceed 140 equivalent feet.

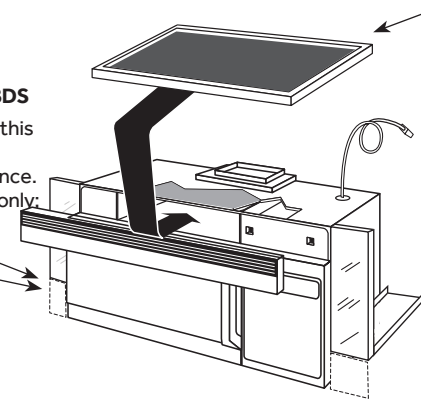
ELBOWS, TRANSITIONS, WALL AND ROOF CAPS, etc., present additional resistance to airflow and are equivalent to a section of straight duct which is longer than their actual physical size. When calculating the total duct length, add the equivalent length of all transitions and adaptors plus the lengths of all straight duct sections. The chart below shows the approximate feet of equivalent length of some typical ducts.

DUCT	EQUIVALENT FEET
A. Rectangular-to-round Transition Adaptor	5 ft.
B. Wall Cap	40 ft.
C. 90° Elbow	10 ft.
D. 45° Elbow	5 ft.
E. 90° Elbow	25 ft.
F. 45° Elbow	5 ft.
G. Roof Cap	24 ft.

OPTIONAL ACCESSORIES (AVAILABLE AT ADDITIONAL COST)

**Filler Panel Kit
JX36BWW/BBB/BSS/BES/BTS/BDS**

When replacing a 36" range hood, this kit fills in the additional width to provide a custom built-in appearance. For installation between cabinets only; not for end-of-cabinet installation. Each kit contains two 3"-wide filler panels.



**Filter Kit
WB06X10807
Recirculating
Charcoal Filter Kit**
To be used when the microwave oven cannot be vented to the outside.



JVM7195SK/DK/EK/EW/FL/RS

GE® 1.9 cu. ft. Over-the-Range Sensor Microwave Oven

FEATURES AND BENEFITS

1.9 cu. ft. capacity – 1000 Watts (IEC-705 test procedure)

Easy clean interior – Makes cleaning spills and splatters a snap

Melt feature – Worry-free melting of butter, caramel, chocolate and cheese

Easy clean with steam clean – Messes inside the microwave are easy to wipe away after steam loosens food grime

Weight and time defrost – Simply enter the weight of the food, and the oven automatically sets the optimal defrosting time and power level or set your desired time for defrosting

Upfront charcoal filter with indicator light – Light indicates when odor-removing charcoal filter needs to be replaced

Four-speed with boost, 400-CFM venting fan system – Quickly removes smoke, steam and odors from the cooktop to keep kitchen air fresh and clean

Turntable with on/off – Controls turntable operation

Sensor cooking controls – Automatically adjust time and power for delicious cooking results

Model JVM7195SKSS – Stainless steel

Model JVM7195EKES – Slate

Model JVM7195FLDS – Black slate

Model JVM7195DKBB – Black

Model JVM719DKWW – White

Model JVM7195EWES – Slate with black accents

Model JVM7195RWSS – Stainless steel with black accents

