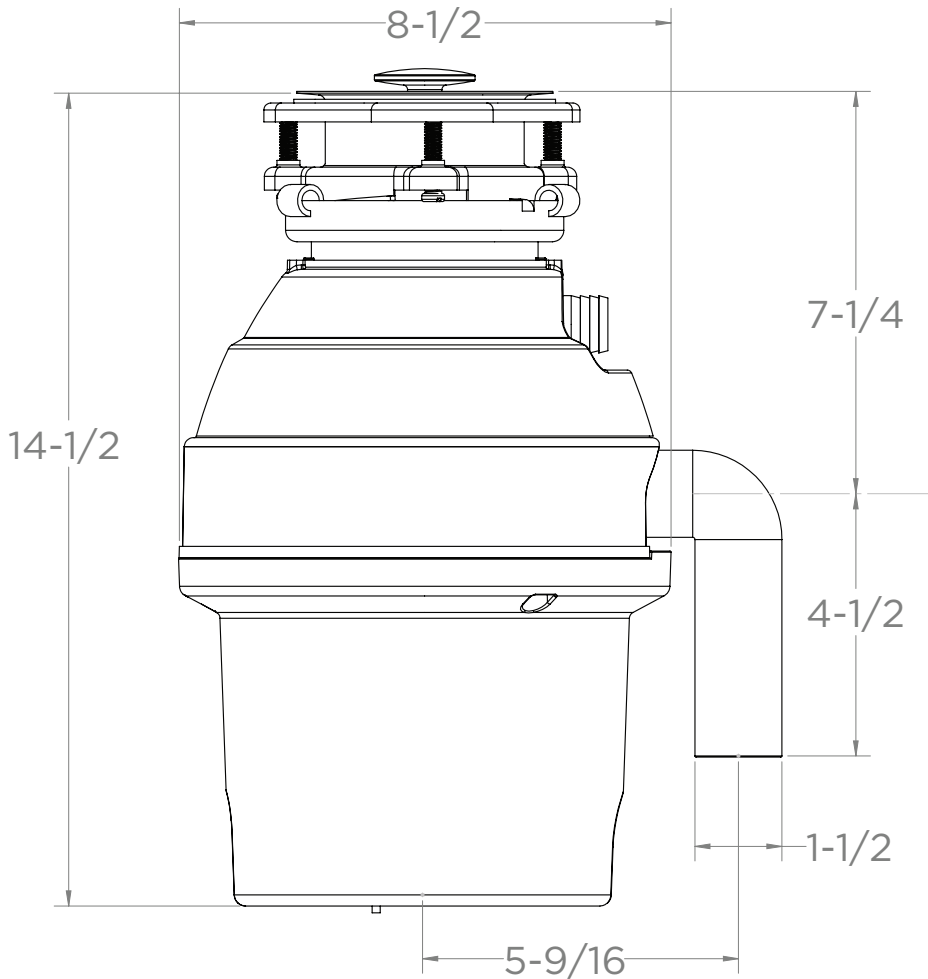


GFC765W

GE® 3/4 Horsepower Continuous-Feed Disposer

DISPOSALL® FOOD WASTE DISPOSER DIMENSIONS (IN INCHES)



INLET/OUTLET DIAMETERS	
Dishwasher inlet diameter (in.)	1
Drain outlet diameter (in.)	1-1/2

POWER/RATINGS	
Power Connection	Direct Wire
Volts/Hertz/Amps	120 V/60 Hz/6.0 A

DISPOSALL

For answers to your Monogram, Café™, GE Profile™ or GE Appliances product questions, visit our website at geappliances.com or call GE Answer Center® Service, 800.626.2000.



Specification Revised 2/24

GFC765W

GE® 3/4 Horsepower Continuous-Feed Disposer

FEATURES AND BENEFITS

3/4 Horsepower Motor

Super-Capacity, Continuous-Feed Disposer

Over 2,700 RPM Grinding Action*

Stainless Steel Jam-Resistant, Dual-Swivel Impellers

Universal 3-Bolt Installation

Line Cord Power Connection, length = 35"

Sound Reduction Technology

Cold-Rolled Carbon Steel Armature Shaft Material

SplashGuard

Wall Switch or Air Switch Compatible

Sink Stopper Included

Manual Reset Overload Protector

Dishwasher Drain Connector

Stainless Steel Sink Flange

Stainless Steel Turntable

Dual Blade System

Model GFC765W



DISPOSALL

*Based on RPM testing of cleared GE and competitive models

Specification Revised 2/24