



Downdraft VENT SYSTEM

SAFETY INFORMATION 3

USING THE HOOD
Downdraft Vent System 5

CARE AND CLEANING
Downdraft Vent System 6

INSTALLATION INSTRUCTIONS.. 7

TROUBLESHOOTING TIPS..... 16

LIMITED WARRANTY 17

ACCESSORIES 18

CONSUMER SUPPORT20

OWNER'S MANUAL & INSTALLATION INSTRUCTIONS

UVD6301S
UVD6361S

Write the model and serial numbers here:

Model # _____

Serial # _____

These numbers are also found on the Product Property Registration Card sent separately with your downdraft ventilation system and on the label located on the front panel of the unit.

ESPAÑOL

Para consultar una version en español de este manual de instrucciones, visite nuestro sitio de internet GEAppliances.com.

THANK YOU FOR MAKING GE APPLIANCES A PART OF YOUR HOME.

Whether you grew up with GE Appliances, or this is your first, we're happy to have you in the family.

We take pride in the craftsmanship, innovation and design that goes into every GE Appliances product, and we think you will too. Among other things, registration of your appliance ensures that we can deliver important product information and warranty details when you need them.

Register your GE appliance now online. Helpful websites and phone numbers are available in the Consumer Support section of this Owner's Manual. You may also mail in the pre-printed registration card included in the packing material.



GE APPLIANCES

IMPORTANT SAFETY INFORMATION

READ ALL INSTRUCTIONS BEFORE USING

⚠ WARNING TO REDUCE THE RISK OF FIRE, ELECTRIC SHOCK OR INJURY TO PERSONS, OBSERVE THE FOLLOWING:

- A. Use this unit only in the manner intended by the manufacturer. If you have questions, contact the manufacturer.
- B. Before servicing or cleaning unit, switch power off at service panel and lock the service disconnecting means to prevent power from being switched on accidentally. When the service disconnecting means cannot be locked, securely fasten a prominent warning device, such as a tag, to the service panel.
- C. Do not use this unit with any solid-state speed control device.
- D. Plug your vent system into a 120-volt grounded outlet only. Do not remove the round grounding prong from the plug. If in doubt about the grounding of the home electrical system, it is your responsibility and obligation to have an ungrounded outlet replaced with a properly grounded, three prong outlet in accordance with the National Electrical Code. Do not use an extension cord with this appliance.

⚠ CAUTION FOR GENERAL VENTILATING USE ONLY. DO NOT USE TO EXHAUST HAZARDOUS OR EXPLOSIVE MATERIALS AND VAPORS.

⚠ WARNING TO REDUCE THE RISK OF INJURY TO PERSONS IN THE EVENT OF A RANGE TOP GREASE FIRE, OBSERVE THE FOLLOWING*:

- A. SMOTHER FLAMES with a close-fitting lid, cookie sheet or metal tray, then turn off the burner. BE CAREFUL TO PREVENT BURNS. If the flames do not go out immediately, EVACUATE AND CALL THE FIRE DEPARTMENT.
- B. NEVER PICK UP A FLAMING PAN—You may be burned.
- C. DO NOT USE WATER, including wet dishcloths or towels—a violent steam explosion will result.
- D. Use an extinguisher ONLY if:
 - 1. You know you have a Class ABC extinguisher, and you already know how to operate it.
 - 2. The fire is small and contained in the area where it started.
 - 3. The fire department is being called.
 - 4. You can fight the fire with your back to an exit.

*Based on "Kitchen Fire Safety" published by NFPA.

⚠ WARNING TO REDUCE THE RISK OF A RANGE TOP GREASE FIRE:

- A. Never leave surface units unattended at high settings. Boilovers cause smoking and greasy spillovers that may ignite. Heat oils slowly on medium settings.
- B. Always turn hood ON when cooking at high heat or when flambéing food (i.e. Crepes Suzette, Cherries Jubilee, Peppercorn Beef Flambé).
- C. Clean ventilating fans frequently. Grease should not be allowed to accumulate on fan or filter.
- D. Use proper pan size. Always use cookware appropriate for the size of the surface element.

If You Need Service...

Do not attempt to repair or replace any part of the vent system unless it is specifically recommended in this manual. All other servicing should be referred to a qualified technician.

Be sure electrical power is off before servicing the unit.

It may be necessary to remove the vent system blower system in order to service components such as the blower motor or air vent mechanism.

Disconnect power to the cooktop and remove it first. Reverse the steps in the Install Downdraft Vent section in the Installation Instructions to remove the blower.

Service parts are available from a GE Appliances Service and Parts Center.

Make sure all fingers are away from the top of the vent system when it is lowered.

READ AND SAVE THESE INSTRUCTIONS

IMPORTANT SAFETY INFORMATION READ ALL INSTRUCTIONS BEFORE USING

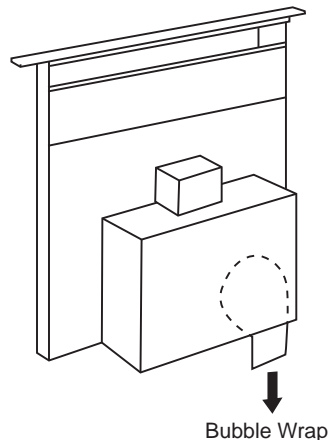
How to Remove Protective Shipping Film and Packaging Tape

Carefully grasp a corner of the protective shipping film with your fingers and slowly peel it from the appliance surface. Do not use any sharp items to remove the film. Remove all of the film before using the appliance for the first time.

To assure no damage is done to the finish of the product, the safest way to remove the adhesive from packaging tape on new appliances is an application of a household liquid dishwashing detergent. Apply with a soft cloth and allow to soak.

NOTE: The adhesive must be removed from all parts. It cannot be removed if it is baked on.

ATTENTION: Please remove the bubble wrap inserted inside of exhaust before installation. Make sure nothing is left inside the blower box.

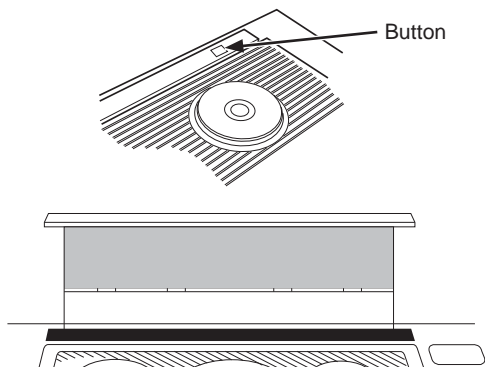


READ AND SAVE THESE INSTRUCTIONS

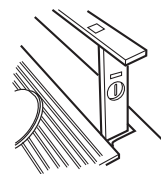
Downdraft Vent System

To Use The Downdraft System

To raise the downdraft vent, press the **button** on the top cover. The vent will rise.

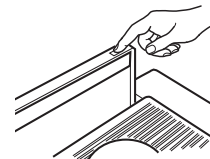


The blower can be turned ON or OFF and the speed can be adjusted with the recessed knob on the right side of the air vent. The blower, if left on, will automatically turn off when the vent is lowered.



NOTE: For most convenient operation, set the blower to the speed you use most often. The blower will come on to this speed whenever the unit is raised.

Lower the downdraft vent by pressing the **button** on the top cover. The vent will go down and the blower will shut off.



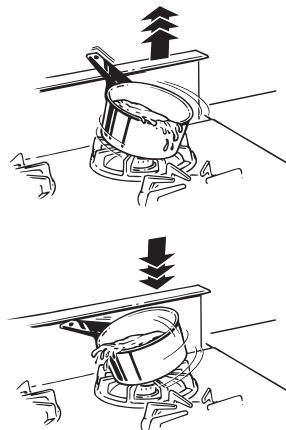
When Using The Vent System

CAUTION Be careful when raising or lowering

the vent. Be sure pots, pot handles and other objects are clear of the vent and cannot be struck or tipped by the vent being raised.

NOTE: There is a slight trim overhang on each side of the vent.

- To avoid injury, be sure fingers are clear of the vent cover when it is being lowered.
- Keep hands and fingers away from all vent parts.



IMPORTANT: If the vent is obstructed by an object while it is being raised or lowered, it will stop. Carefully remove the obstruction and the vent will drop to the lowered position. Press the button again to return to normal functions.

Cooking Tips

The high air movement of this vent system can increase the cooking times for some foods. It may take longer to reach high cooking temperatures if the vent system is turned to high right away. Adjust the fan speed for best cooking results.

For best results when heating oil for deep frying or when boiling water, use the front surface units or wait until the water is boiling or the oil is at frying temperatures before turning on the vent system.

The vent system may not completely capture all the steam from pans on the front burners.

Downdraft Vent System

Grease Filters

The efficiency of your vent system depends on a clean filter. Frequency of cleaning depends on the type of cooking you do. Grease filters should be cleaned at least once a month. Never operate the vent system without the filters in place.

To remove: Remove filters from the air vent by reaching the filters through the vent openings, pushing down then pulling out. **NOTE:** The filters are different sizes. Be sure to replace them as removed, wider one on the left

To clean: Soak and then agitate in a hot detergent solution. Light brushing may be used to remove embedded soil. Rinse, shake and remove moisture before replacing. **Do not clean the filters in the dishwasher.**

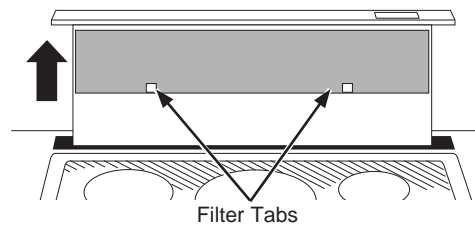
With careful handling, the filter will last for years. If replacement becomes necessary, order the part from your dealer.

Painted Or Stainless Steel Surfaces

Do not use a steel wool pad; it will scratch the surface.

To clean the stainless steel surface, use warm, sudsy water or a stainless steel cleaner or polish. Always wipe the surface in the direction of the grain. Follow the cleaner instructions for cleaning the stainless steel surface.

For difficult stains on stainless steel, use a cleaner that contains lactic acid or citric acid.



To inquire about purchasing cleaning products including stainless steel appliance cleaner or polish read the Assistance and Accessories sections at the beginning of this manual.

Installation Instructions

Downdraft Vent Systems UVD6301S, UVD6361S

? "If you have questions, call GE Appliances at 800.GE.CARES (800.432.2737) or visit our website at: GEAppliances.com"

BEFORE YOU BEGIN

Read these instructions completely and carefully.

- **IMPORTANT** — Save these instructions for local inspector's use.
- **IMPORTANT** — Observe all governing codes and ordinances.
- **Note to Installer** – Be sure to leave these instructions with the Consumer.
- **Note to Consumer** – Keep these instructions for future reference.
- **Skill level** – Installation of this vent hood requires basic mechanical and electrical skills.
- Proper installation is the responsibility of the installer.
- Product failure due to improper installation is not covered under the Warranty.

GROUNDING INSTRUCTIONS

This appliance must be grounded. In the event of an electrical short circuit, grounding reduces the risk of electric shock by providing an escape wire for the electric current. This appliance is equipped with a cord having a grounding wire with a grounding plug. The plug must be plugged into an outlet that is properly installed and grounded.

⚠ WARNING

Improper grounding can result in a risk of electric shock.

Consult a qualified electrician if the grounding instructions are not completely understood, or if doubt exist as to whether the appliance is properly grounded.

Do not use an extension cord. If the power supply cord is too short, have a qualified electrician install an outlet near the appliance.

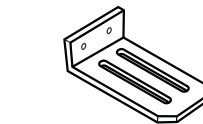
If you received a damaged vent system, you should contact your dealer.

PARTS SUPPLIED

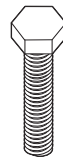
Open the carton and remove parts package. Check contents to be sure all pieces are present.



Filters - inside unit
Qty:2



Stabilizing Brackets
Qty:2



Countertop Mounting
Screw, 1/4-20 x 2.00
Hex Hd
Qty:2

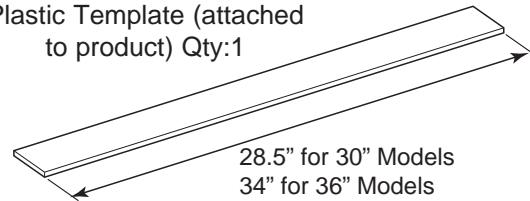


Downdraft
Leveling Screw,
1/4-20 x .50 Hex
Hd - Qty:2



Wood Screw, #8 x
.750 SI Round Hd
- Qty:4

Plastic Template (attached
to product) Qty:1



TOOLS AND MATERIALS REQUIRED

- Safety glasses
- Large flat-blade screwdriver
- Jigsaw
- Carpenter's square
- Ductwork to suit the installation
- Level

REMOVE PACKAGING

Remove the shipping materials and the carton; set carton aside. The carton can be used as a pad when changing or adjusting vent direction.

Safety Information

⚠ WARNING TO REDUCE THE RISK OF FIRE, ELECTRIC SHOCK OR INJURY TO PERSONS, OBSERVE THE FOLLOWING:

- Installation work and electrical wiring must be done by qualified person(s) in accordance with all applicable codes and standards, including fire-rated construction.
- Sufficient air is needed for proper combustion and exhausting of gases through the flue (chimney) of fuel burning equipment to prevent back drafting. Follow the heating equipment manufacturer's guidelines and safety standards such as those published by the National Fire Protection Association (NFPA), the American Society for Heating, Refrigeration and Air Conditioning Engineers (ASHRAE) and the local code authorities.
- When cutting or drilling into wall or ceiling, do not damage electrical wiring and other hidden utilities.
- Ducted fans must always be vented to the outdoors.

⚠ CAUTION TO REDUCE THE RISK OF FIRE AND TO PROPERLY EXHAUST AIR, BE SURE TO DUCT AIR OUTDOORS. DO NOT VENT EXHAUST AIR INTO SPACES WITHIN WALLS OR CEILINGS OR INTO ATTICS, CRAWL SPACES OR GARAGES.

⚠ WARNING TO REDUCE THE RISK OF FIRE, USE ONLY METAL DUCT WORK.

- When applicable, install any makeup (replacement) air system in accordance with local building code requirements. Visit GEAppliances.com for available makeup air solutions.
- PVC sewer pipe can be used as duct under concrete slab if allowed by local code board.

Installation Preparation

POWER SUPPLY

This downdraft vent must be supplied with 120V, 60 Hz. and connected to an individual, properly grounded branch circuit, protected by a 15- or 20-ampere circuit breaker or time-delay fuse.

A properly grounded 3-prong receptacle should be located within reach of the vent's two-foot power cord.

- **Gas Cooktops**

If this vent is installed in combination with a GE or Monogram gas cooktop, it may operate from the same duplex outlet.

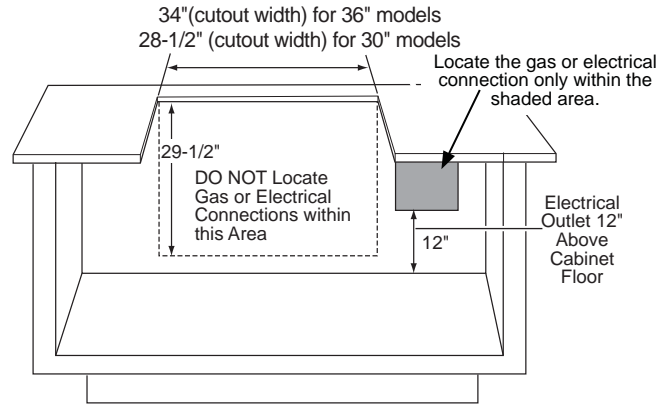
- **Electric Cooktops**

If this vent is installed in combination with a GE or Monogram electric cooktop, the vent must operate from a separate 120V outlet.

Locate the receptacle inside the cabinet on the right side wall (see illustration). The receptacle cannot be placed on the back of the cabinet wall where it may interfere with the downdraft plenum.

The downdraft vent power cord is to be routed beneath the cooktop and routed away from heat generated by the cooktop.

Ensure that the cooktop is installed per manufacturer's installation instructions.



IMPORTANT

(Please read carefully)

The power cord of this appliance is equipped with a three-prong (grounding) plug which mates with a standard three-prong grounding wall receptacle to minimize the possibility of electric shock. The customer should have the wall receptacle and circuit checked by a qualified electrician to make sure the receptacle is properly grounded and has correct polarity.

- Where a standard two-prong wall receptacle is encountered, it is the personal responsibility and obligation of the customer to have it replaced with a properly grounded three-prong wall receptacle.

Do not, under any circumstances, cut or remove the third (ground) prong from the power cord.

Do not use an extension cord or adapter plug with this appliance. Follow National Electrical Code or prevailing local codes and ordinances.

Location of Rating Label: on front of chassis of vent system.

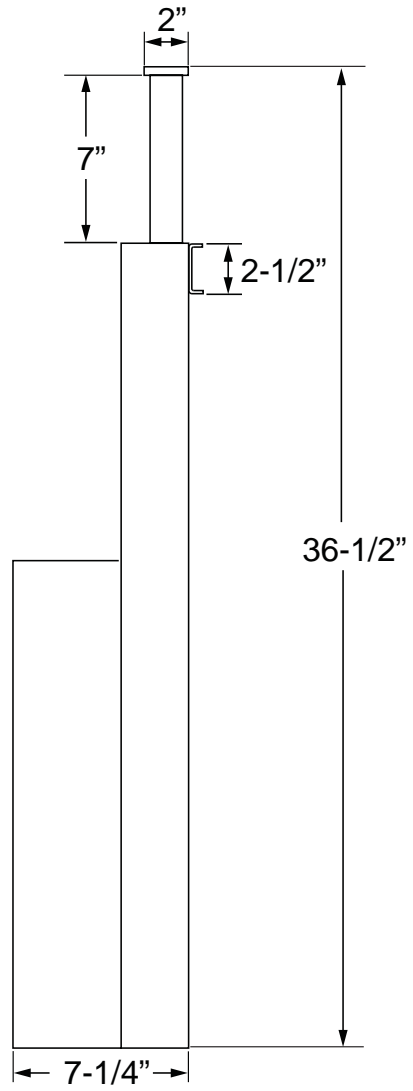
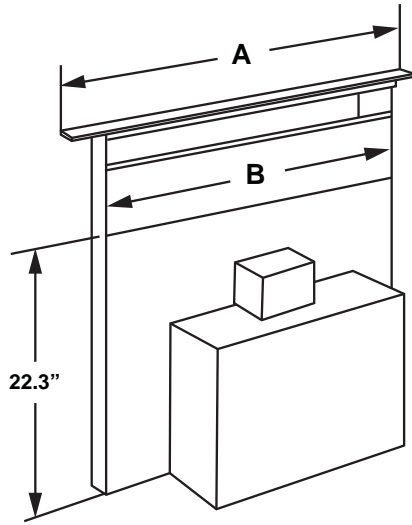
SPECIFICATIONS

VOLTS	AMPS	DUCT
120	4.0	3-1/4 X 10

Installation Preparation

PRODUCT DIMENSIONS

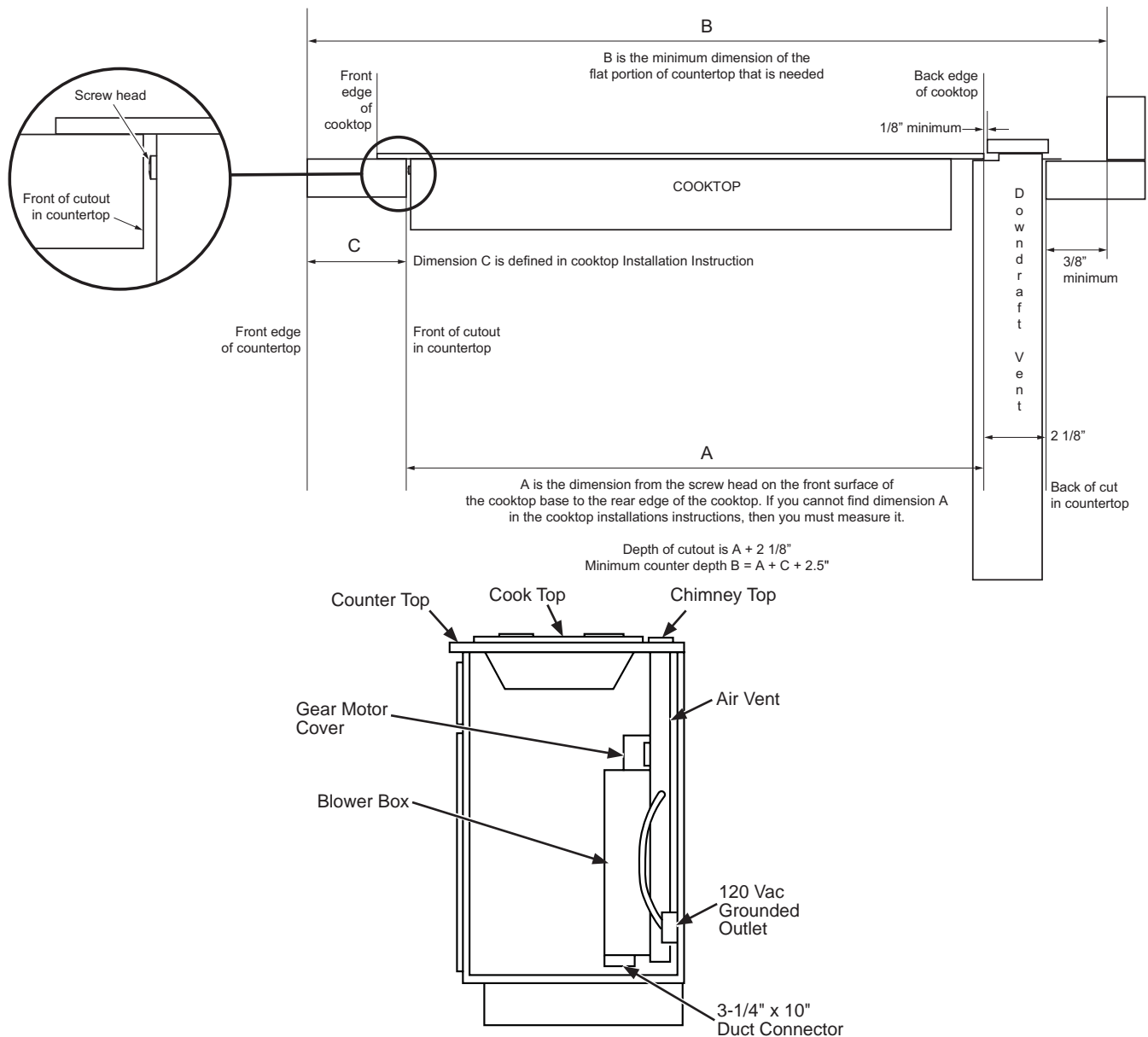
	A	B
30" Models	30"	26-1/4"
36" Models	36"	32-1/4"



Installation Preparation

PREPARING FOR INSTALLATION

- Unpack the cooktop and read the Installation Instructions to understand the required countertop cutout dimensions and location in the countertop, the cooktop spacing to the front edge of the countertop, and the required clearances to the cabinets and walls. The vent system required cutout width is shown on page 9. Confirm there is enough side to side counter space to meet the required spacing and clearances for the cooktop.
- Using the illustrations below and taking measurements of the cooktop to establish dimension A, confirm there is enough front to back counter space (dimension B) to fit both the cooktop and the vent system. Note the cooktop rear edge will overlap the vent system front surface (refer to Page 10).
- Refer to the Creative Solutions section on page 13 if more counter space is needed.
- Using the illustrations on pages 9 through 12 and taking measurements of the vent system and its exhaust vent location, confirm the clearances needed within the cabinet, the exhaust vent direction, and the alignment of the exhaust vent with the ducting. If needed for clearance or duct hookup alignment, reposition the location of the cooktop, or modify the cabinetry, or modify the ducting.
- Confirm the electrical receptacles and gas lines are correctly located, and relocate if needed.



Installation Preparation

VENTING OPTIONS

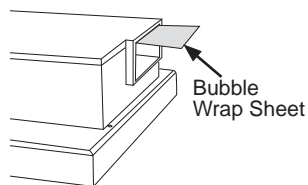
- The downdraft vent is shipped with the discharge outlet pointing straight down and can be changed to the left or right side. To avoid interference problems, the downdraft vent cannot be vented to the right when installed with a GE or Monogram gas cooktop, or with a GE or Monogram non-induction electric cooktop.
- The blower outlet is sized for 3-1/4" x 10" and can be transitioned to 6" round.

The blower is shipped with its discharge facing DOWN. Follow these steps ONLY if:

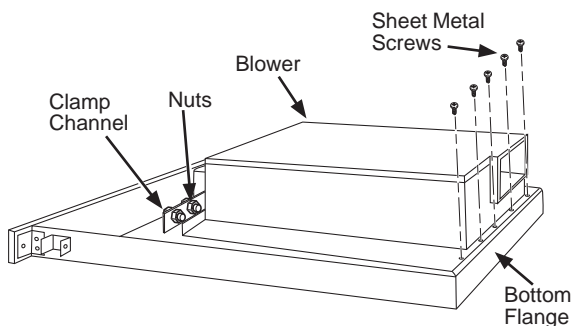
- the position of the blower discharge needs to be moved so ductwork does not interfere with floor joists, plumbing or wiring below.
- it is necessary to rotate the blower discharge to the RIGHT or LEFT.

Place the unit on its back on a table or work surface.

Pull out the bubble wrap sheet. Make sure nothing is left inside.

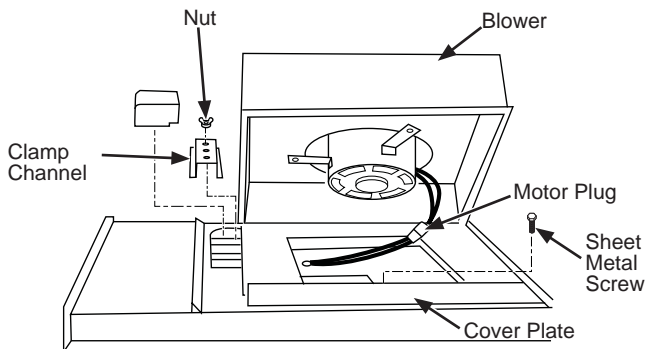


DOWN DISCHARGE - MOVING BLOWER LEFT OR RIGHT



1. Loosen the 4 nuts and 2 clamp channels.
2. Remove the 5 screws on the bottom. These 5 screws are for shipping and do not need to be re-tightened.
3. Slide blower to desired position.
4. Use supplied cover plate to close open space (if any).
5. Tighten wing nuts to secure top of blower and use sheet metal screws through bottom flange to secure bottom of blower.

LEFT OR RIGHT DISCHARGE



1. Remove the 4 nuts and 2 clamp channels.
2. Remove the 5 screws on the bottom. These 5 screws are for shipping and do not need to be re-tightened.
3. Carefully lift blower and disconnect motor plug if necessary. Reposition blower and RECONNECT MOTOR PLUG.
4. Use supplied cover plate to close open space (if any).
5. Replace clamp channels and use nuts to secure the blower in its new position.
6. Use sheet metal screws through bottom flange to secure bottom of blower.

For best performance: Choose the ducting option which allows the shortest length of ductwork and a minimum number of elbows and transitions. Check location of floor joists, wall studs, electrical wiring or plumbing for possible interference.

NOTE: The unit is shipped with the 3-1/4" x 10" discharge facing DOWN. See "CHANGING BLOWER DIRECTION" on page 3, if necessary.

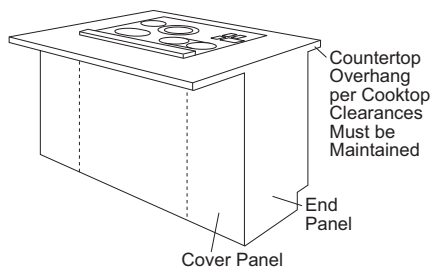
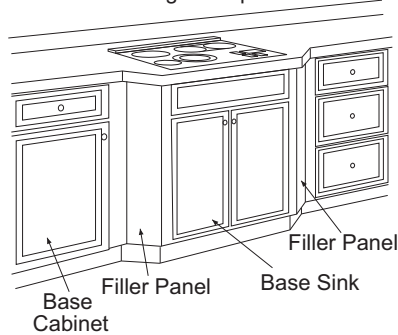
The system will operate most efficiently when the ductwork does not exceed 40 feet of equivalent duct. The chart, below, shows equivalent feet of elbows and transitions. The number of feet of straight duct plus the equivalent feet of transitions and/or elbows to be used should equal 40 feet or less.

6" Round Elbow	3-1/4"x10" to 6" Round Transition	3-1/4"x10" 90° Elbow
equals 6 ft. of straight duct	equals 2 ft. of straight duct	equals 8 ft. of straight duct

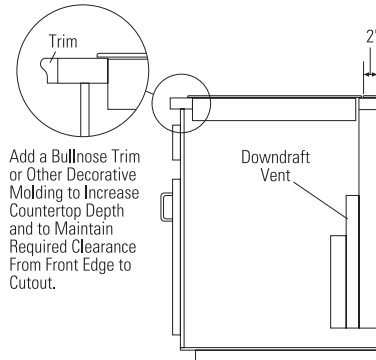
CREATIVE SOLUTIONS

- When the kitchen design calls for an against-the-wall installation, move the base cabinet forward 3" to 5". Filler panels or complementary moldings can be added to exposed cabinet sides.
- In an island or peninsula, use an extra-deep countertop. The countertop overhang at the front can be adjusted to meet setback to cutout requirements.
- When the cutout to the front edge of the countertop requirement is more than 2", add a bullnose trim to the front edge of the countertop. Include the trim thickness when measuring the front edge to cutout requirement. By adding the trim, the cooktop can be moved forward,

Maintain Cutout Clearances to Front Edge as Specified

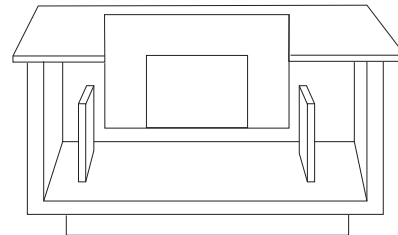


providing additional countertop depth and interior cabinet space.



Add a Bullnose Trim or Other Decorative Molding to Increase Countertop Depth and to Maintain Required Clearance From Front Edge to Cutout.

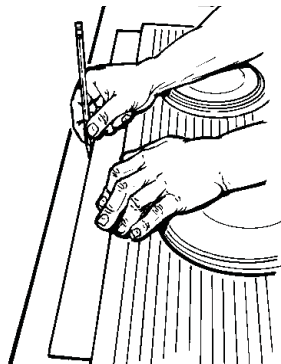
- When the distances between the vent and the inside cabinet side walls are more than 5-1/2" and/or the inside cabinet back wall is more than 4-1/2", false walls should be constructed inside the cabinet for securing the vent with the stabilizing brackets (refer to Cutouts and Clearances under Installation Preparation.)



PREPARING THE COUNTERTOP

Lay out and cut the cooktop cut-out far enough FORWARD so downdraft will fit behind it.

1. Set cooktop in place and slide it as far forward as possible. Center and square it with edges or countertop.
2. Place the plastic template against the back flange of the cooktop and center it. Trace around template to mark the downdraft opening.



3. Remove cooktop from countertop.
4. Cut downdraft opening. Be careful not to chip edges of countertop.

Design Information

PREPARE FOR DUCTWORK

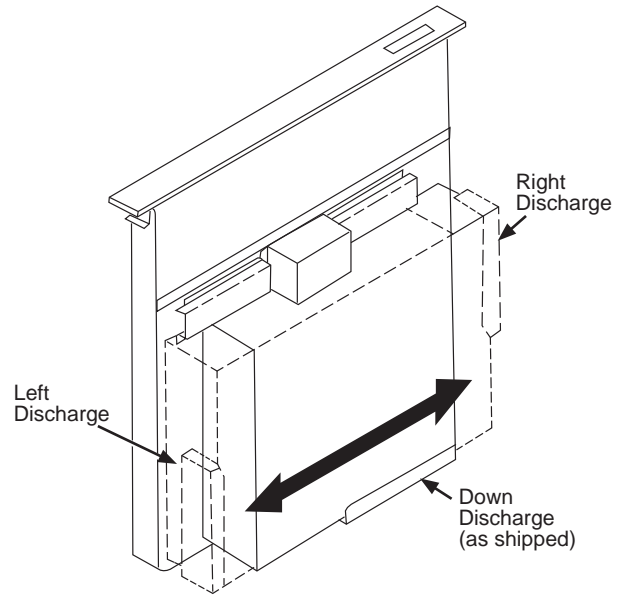
Determine the best route for ductwork; it can be routed in a variety of ways depending on the kitchen layout.

IMPORTANT: The downdraft air discharge outlet for this unit is 3 1/4" x 10" rectangular. Plan ducting accordingly.

Typical duct arrangement countertop series.

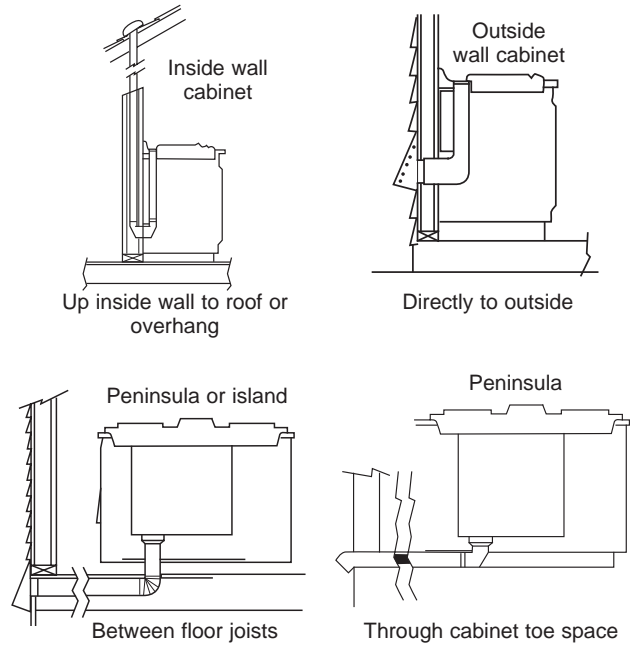
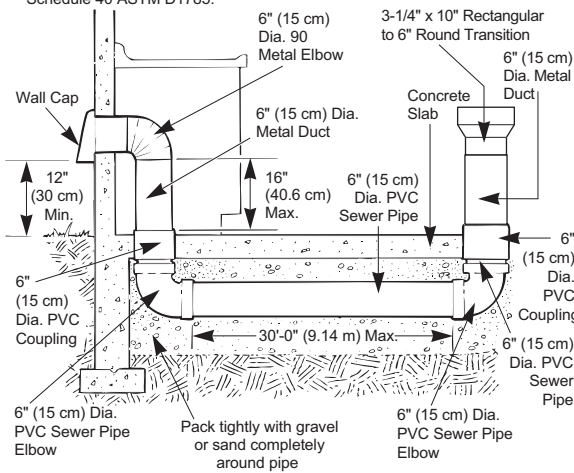
To maximize the ventilation performance of the vent system:

1. Minimize the duct run length and number of transitions and elbows.
2. Maintain a constant duct size.
3. Seal all joints with duct tape to prevent any leaks.
4. Do not use any type of flexible ducting.

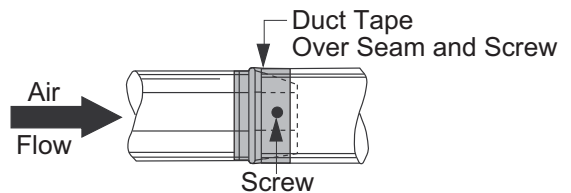


Optional duct arrangement under concrete slab. PVC duct should be used if installing under a poured concrete slab.

NOTE: PVC sewer pipe type PSM 12454-B Schedule 40 ASTM D1785.

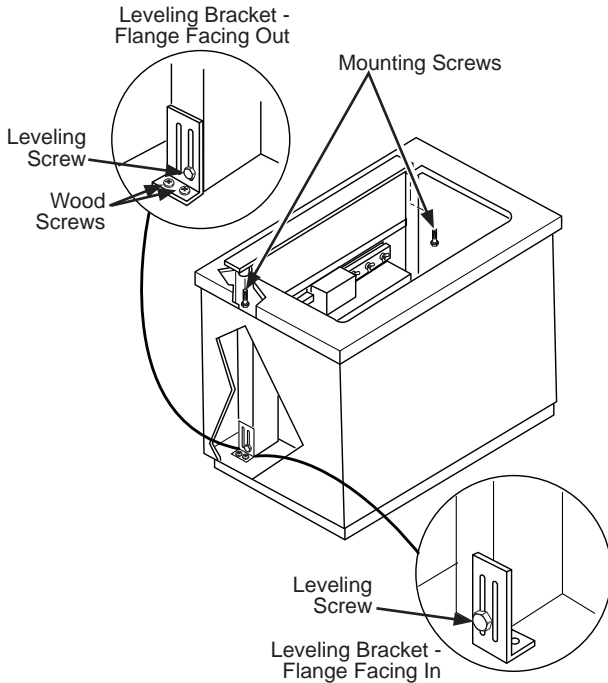


Install ductwork so the piece of duct nearest the downdraft unit slots INTO the next piece of the duct. Secure the joints with self-tapping screws and apply duct tape around the joints to ensure an airtight seal.

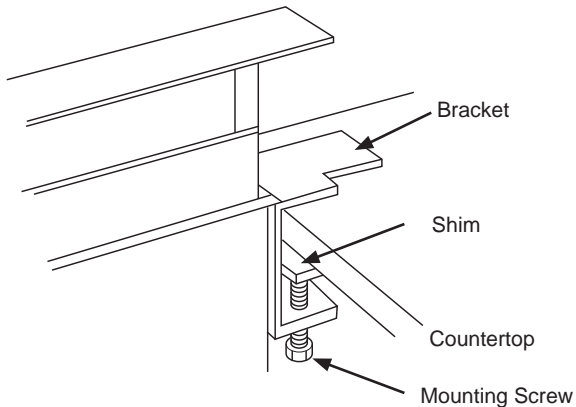


Installation Instructions

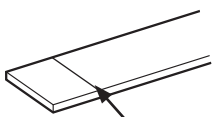
1 MOUNT THE UNIT



- A** Set downdraft into opening. Extend leveling brackets to floor of cabinet so downdraft sits straight. (**NOTE:** Leveling brackets can be removed and re-attached in other positions. Bottom flange may have to face inward in tight cabinet installations.)
- B** Secure the downdraft to the countertop as follows: Hold the downdraft against the back of countertop cut-out and tighten the 2 mounting screws (one on each end of unit) on underside of countertop. Use a shim between screw and underside of granite countertops.



The ends of the template may be broken or cut and used as shims if required.



Break/Cut the Ends

1 MOUNT THE UNIT (Cont.)

- C** Screw leveling brackets to bottom of cabinet using the four wood screws (provided with the unit) on each side.
- D** Tighten leveling screws through leveling bracket slots to the unit on each side.
- E** Place cooktop into the countertop cutout. There should be 1/8" minimum gap between the front of the vent trim and the rear of the cooktop.
- F** Connect duct. Use a roof or wall cap (with damper) that is intended for use with kitchen hoods and vent systems.

2 CONNECT POWER

Plug power cord into properly grounded receptacle.

3 INSTALL FILTERS, CHECK OPERATION

- Press the button on the top cover to raise the vent.
- Lift the vent straight up and pull forward.
- Slide filter into the retainers and close the vent.
- Turn the knob on the right side of the air vent to start the blower and adjust the speed.
- To lower the vent, press the button on the top cover.

NOTE: It is not necessary to turn the fan OFF before lowering the vent. The fan will automatically turn off when the vent is lowered. When the fan is not turned off before lowering the vent, it will automatically come on at the previously set speed when the vent is fully raised.

TROUBLESHOOTING TIPS

Save time and money! Review the charts on the following pages first and you may not need to call for service.

Problem	Possible Cause	What To Do
Fan does not work	The vent is not fully extended.	Press the button on the top cover.
Vent does not work	The vent is not plugged into an outlet.	Plug the vent into a 120V power outlet.
	The button did not engage the lift motor.	Hold down the button for a couple of seconds to activate the motor.
	The circuit breaker may have tripped.	Check the circuit breaker— reset if necessary.
	Sufficient makeup (replacement) air is required for exhausting appliances to operate to rating.	Check with local building codes, which may require or strongly advise the use of makeup air. Visit GEAppliances.com for available makeup air solutions.

GE Appliances Limited Warranty

LIMITED WARRANTY

GEAppliances.com

All warranty service is provided by our Factory Service Centers, or an authorized Customer Care® technician. To schedule service online, visit us at GEAppliances.com/service, or call GE Appliances at 800.GE.CARES (800.432.2737). Please have your serial number and your model number available when calling for service.

Servicing your appliance may require the use of the onboard data port for diagnostics. This gives a GE Appliances factory service technician the ability to quickly diagnose any issues with your appliance and helps GE Appliances improve its products by providing GE Appliances with information on your appliance. If you do not want your appliance data to be sent to GE Appliances, please advise your technician not to submit the data to GE Appliances at the time of service.

For the period of	GE Appliances will replace
One year From the date of the original purchase	Any part of the cooking product which fails due to a defect in materials or workmanship. During this limited one-year warranty , GE Appliances will provide, free of charge , all labor and related service costs to replace the defective part.

What GE Appliances will not cover:

- Service trips to your home to teach you how to use the product.
- Improper installation, delivery, or maintenance.
- Failure of the product if it is abused, misused, modified, or used for other than the intended purpose or used commercially.
- Replacement of house fuses or resetting of circuit breakers.
- Damage to the product caused by accident, fire, floods, or acts of God.
- Incidental or consequential damage caused by possible defects with this appliance.
- Damage caused after delivery.
- Product not accessible to provide required service.
- Service to repair or replace light bulbs, except for LED lamps.

EXCLUSION OF IMPLIED WARRANTIES

Your sole and exclusive remedy is product repair as provided in this Limited Warranty. Any implied warranties, including the implied warranties of merchantability or fitness for a particular purpose, are limited to one year or the shortest period allowed by law.

Staple your receipt here. Proof of the original purchase date is needed to obtain service under the warranty.

This limited warranty is extended to the original purchaser and any succeeding owner for products purchased for home use within the USA. If the product is located in an area where service by a GE Appliances Authorized Servicer is not available, you may be responsible for a trip charge or you may be required to bring the product to an Authorized GE Appliances Service location for service. In Alaska, the limited warranty excludes the cost of shipping or service calls to your home.

Some states do not allow the exclusion or limitation of incidental or consequential damages. This limited warranty gives you specific legal rights, and you may also have other rights which vary from state to state. To know what your legal rights are, consult your local or state consumer affairs office or your state's Attorney General.

Warrantor: GE Appliances, a Haier company
Louisville, KY 40225

Extended Warranties: Purchase a GE Appliances extended warranty and learn about special discounts that are available while your warranty is still in effect. You can purchase it online anytime at

GEAppliances.com/extended-warranty

or call 800.626.2224 during normal business hours. GE Appliances Service will still be there after your warranty expires.

If you received a damaged downdraft vent system

Immediately contact the dealer (or builder) that sold you the downdraft vent system.

Accessories

Looking For Something More?

GE Appliances offers a variety of accessories to improve your cooking and maintenance experiences!

Refer to the Consumer Support page for phone numbers and website information.

The following products and more are available:

Parts

Black Stainless Steel Trim (30")

Black Stainless Steel Trim (36")

Cleaning Supplies

CitruShine™ Stainless Steel Wipes

Stainless Steel Appliance Cleaner

Notes

Consumer Support

GE Appliances Website

Have a question or need assistance with your appliance? Try the GE Appliances Website 24 hours a day, any day of the year! You can also shop for more great GE Appliances products and take advantage of all our on-line support services designed for your convenience. In the US: GEAppliances.com

Register Your Appliance

Register your new appliance on-line at your convenience! Timely product registration will allow for enhanced communication and prompt service under the terms of your warranty, should the need arise. You may also mail in the pre-printed registration card included in the packing material. In the US: GEAppliances.com/register

Schedule Service

Expert GE Appliances repair service is only one step away from your door. Get on-line and schedule your service at your convenience any day of the year. In the US: GEAppliances.com/service or call 800.432.2737 during normal business hours.

Extended Warranties

Purchase a GE Appliances extended warranty and learn about special discounts that are available while your warranty is still in effect. You can purchase it on-line anytime. GE Appliances Services will still be there after your warranty expires. In the US: GEAppliances.com/extended-warranty or call 800.626.2224 during normal business hours.

Remote Connectivity

For assistance with wireless network connectivity (for models with remote enable), visit our website at GEAppliances.com/connect or call 800.220.6899 in the US.

Parts and Accessories

Individuals qualified to service their own appliances can have parts or accessories sent directly to their homes (VISA, MasterCard and Discover cards are accepted). Order on-line today 24 hours every day. In the US: GEApplianceparts.com or by phone at 877.959.8688 during normal business hours.

Instructions contained in this manual cover procedures to be performed by any user. Other servicing generally should be referred to qualified service personnel. Caution must be exercised, since improper servicing may cause unsafe operation.

Contact Us

If you are not satisfied with the service you receive from GE Appliances, contact us on our Website with all the details including your phone number, or write to:

In the US: General Manager, Customer Relations | GE Appliances, Appliance Park | Louisville, KY 40225
GEAppliances.com/contact



SISTEMA DE VENTILACIÓN de corriente descendente

INFORMACIÓN DE SEGURIDAD 3

Uso del Sistema de Ventilación
Sistema De Ventilación
De Corriente Descendente 5

CUIDADO Y LIMPIEZA
Sistema De Ventilación
De Corriente Descendente 6

**INSTRUCCIONES
DE INSTALACIÓN** 7

**CONSEJOS PARA LA SOLUCIÓN
DE PROBLEMAS** 16

GARANTÍA LIMITADA 17

ACCESORIOS 18

**SOPORTE PARA
EL CONSUMIDOR**.....20

MANUAL DEL PROPIETARIO E INSTALACIÓN

UVD6301S
UVD6361S

Escriba los números de modelo y de serie aquí:

Nº de Modelo _____

Nº de Serie _____

Estos números también se encuentran en la Tarjeta de Registro de Propiedad de Producto enviada en forma separada con su sistema de ventilación de corriente descendente y en la etiqueta que se encuentra en el panel frontal de la unidad.

GRACIAS POR HACER QUE GE APPLIANCES SEA PARTE DE SU HOGAR.

Ya sea que haya crecido usando GE Appliances, o que ésta es su primera vez, nos complace tenerlo en la familia.

Sentimos orgullo por el nivel de arte, innovación y diseño de cada uno de los electrodomésticos de GE Appliances, y creemos que usted también. Entre otras cosas, el registro de su electrodoméstico asegura que podamos entregarle información importante del producto y detalles de la garantía cuando los necesite.

Registre su electrodoméstico GE ahora a través de Internet. Sitios Web y números telefónicos útiles están disponibles en la sección de Soporte para el Consumidor de este Manual del Propietario.

También puede enviar una carta en la tarjeta de inscripción preimpresa que se incluye con el material embalado.



GE APPLIANCES

INFORMACIÓN IMPORTANTE DE SEGURIDAD

LEA TODAS LAS INSTRUCCIONES ANTES DE USAR

⚠ADVERTENCIA PARA REDUCIR EL RIESGO DE INCENDIO, DESCARGA ELÉCTRICA O LESIONES A PERSONAS, CUMPLA CON LOS SIGUIENTES PUNTOS:

- A. Utilice esta unidad sólo de la manera concebida por el fabricante. Si tiene alguna pregunta, comuníquese con el fabricante.
- B. Antes de realizar reparaciones o limpiar la unidad, desconecte la energía del panel de servicio y bloquee los medios de desconexión para evitar el accionamiento de la energía de manera accidental. Cuando los medios de desconexión de servicio no pueden bloquearse, coloque sobre el panel de servicio un dispositivo de advertencia bien visible, como una etiqueta.
- C. No utilice esta unidad con ningún dispositivo de control de velocidad de estado sólido.
- D. Enchufe el sistema de ventilación en un tomacorriente con conexión a tierra de 120 voltios únicamente. No retire la pata redonda de conexión a tierra del enchufe. Si tiene dudas sobre la conexión a tierra del sistema eléctrico para hogar, es su responsabilidad y obligación contar con el reemplazo de un tomacorriente sin conexión a tierra por un tomacorriente de tres patas correctamente conectado a tierra, de acuerdo con el Código Nacional de Electricidad. No use prolongadores con este electrodoméstico.

⚠PRECAUCIÓN SÓLO PARA USO DE VENTILACIÓN GENERAL. NO LO UTILICE PARA ELIMINAR MATERIALES Y VAPORES PELIGROSOS O EXPLOSIVOS.

⚠ADVERTENCIA PARA REDUCIR EL RIESGO DE LESIONES A PERSONAS EN CASO DE UN INCENDIO DE GRASA SOBRE UNA ESTUFA, CUMPLA CON LOS SIGUIENTES PUNTOS*:

- A. APAGUE LAS LLAMAS con una tapa que ajuste bien, una plancha para galletas o una bandeja de metal, y luego apague el quemador. TENGA MUCHO CUIDADO A FIN DE EVITAR QUEMADURAS. Si las llamas no se apagan de inmediato, SALGA DE LA VIVIENDA Y LLAME AL DEPARTAMENTO DE BOMBEROS.
- B. NUNCA LEVANTE UNA SARTÉN EN LLAMAS—Usted puede quemarse.
- C. NO UTILICE AGUA, incluyendo repasadores o toallas húmedos—se provocará una violenta explosión de vapor.
- D. Utilice un extintor SÓLO si:
 - 1. Usted sabe que cuenta con un extintor Clase ABC y ya sabe cómo utilizarlo.
 - 2. El incendio es pequeño y se contuvo en el área donde comenzó.
 - 3. Se está llamando al departamento de bomberos.
 - 4. Usted puede combatir el incendio con su espalda dirigida hacia una salida.

*Basado en "Kitchen Fire Safety" publicado por NFPA.

⚠ADVERTENCIA PARA REDUCIR EL RIESGO DE UN INCENDIO DE GRASA SOBRE UNA ESTUFA:

- A. Nunca deje unidades de superficie desatendidas en configuraciones de calor elevadas. Los alimentos que hierven y se derraman provocan humo y derrames grasos que pueden prenderse fuego. Caliente los aceites lentamente en configuraciones bajas o medias.
- B. Siempre encienda el sistema de ventilación cuando cocine con configuraciones de calor elevadas o cuando flambee alimentos (por ej., Crepes Suzette, cerezas Jubilee, carne flambeada a la pimienta en grano).
- C. Limpie los ventiladores con frecuencia. No debe permitirse la acumulación de grasa en el ventilador o en el filtro.
- D. Utilice el tamaño de recipiente adecuado. Siempre utilice recipientes de cocción apropiados para el tamaño del elemento de superficie.

Si necesita servicio técnico...

No intente reparar o cambiar ninguna pieza del sistema de ventilación, a menos que esté específicamente recomendado en este manual. Cualquier otro servicio debe realizarlo un técnico calificado.

Asegúrese de cortar la electricidad antes de efectuar servicio técnico en el aparato.

Puede resultar necesario quitar el sistema de ventilación para realizar servicio técnico en componentes tales como el motor del ventilador o el mecanismo de ventilación de aire.

Desconecte la energía que alimenta la estufa y quítela en primer término. Invierta los pasos de la sección "Cómo instalar la ventilación descendente" en las Instrucciones de instalación para quitar el ventilador.

Las piezas para el servicio técnico se encuentran disponibles en el Centro de Servicio Técnico y Piezas de GE Appliances.

Cuando baje la ventilación, mantenga los dedos alejados de la parte superior del sistema de ventilación.

LEA Y GUARDE ESTAS INSTRUCCIONES

INFORMACIÓN IMPORTANTE DE SEGURIDAD LEA TODAS LAS INSTRUCCIONES ANTES DE USAR

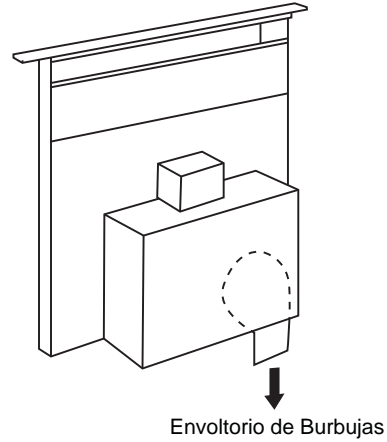
Cómo Retirar la Película Protectora de Envío y la Cinta de Embalaje

Con cuidado tome un extremo de la película protectora de envío con los dedos y lentamente retire la misma de la superficie del electrodoméstico. No utilice ningún producto filoso para retirar la película. Retire toda la película antes de usar el electrodoméstico por primera vez.

Para asegurar que no haya daños sobre el acabado del producto, la forma más segura de retirar el adhesivo de la cinta de embalaje en electrodomésticos nuevos es aplicando un detergente líquido hogareño para lavar platos. Aplique con una tela suave y deje que se seque.

NOTA: El adhesivo deberá ser eliminado de todas las partes. No se puede retirar si se hornea con éste dentro.

ATENCIÓN: Por favor retire el envoltorio de burbujas insertado en el escape antes de la instalación. Asegúrese de que no quede nada dentro de la caja del ventilador.

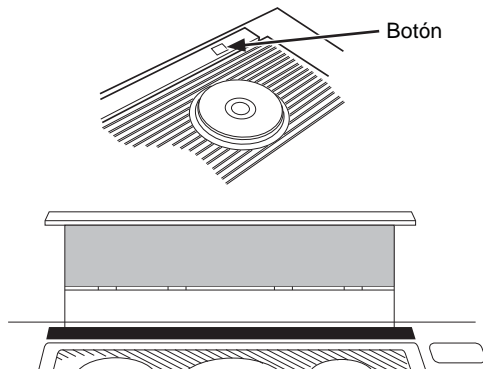


LEA Y GUARDE ESTAS INSTRUCCIONES

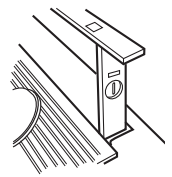
Sistema De Ventilación De Corriente Descendente

Sistema De Ventilación De Corriente Descendente

A fin de elevar la ventilación descendente, presione el botón de la tapa superior. La ventilación se elevará.

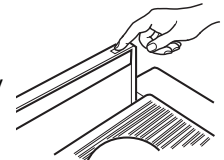


El ventilador se podrá girar a ON (Encender) y OFF (Apagar) y la velocidad se podrá ajustar con la perilla empotrada sobre el lado derecho de la salida de aire. Si se lo deja encendido, el ventilador se apagará automáticamente cuando se baje la ventilación.



NOTA: Para un funcionamiento más conveniente, configure el ventilador a la velocidad que utilice más a menudo. El ventilador se accionará a esta velocidad cuando la unidad se eleve.

Baje la ventilación descendente presionando el botón de la tapa superior. La ventilación descenderá y el ventilador se apagará.



Cuando Utilice el Sistema de Ventilación

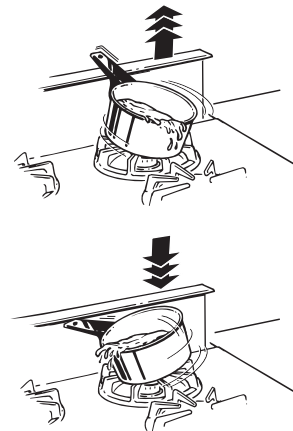
⚠ PRECAUCIÓN

Tenga cuidado al levantar o bajar

la ventilación. Asegúrese de que las cacerolas, las manijas de las cacerolas y otros objetos se encuentren alejados de la ventilación y que no se golpeen o vuelquen cuando se la eleve.

NOTA: Hay una pequeña saliente en cada lado de la ventilación.

- Para evitar lesiones, mantenga los dedos alejados de la tapa de la ventilación cuando se la baje.
- Mantenga las manos y los dedos alejados de todas las piezas de la ventilación.



IMPORTANTE: Si la ventilación queda obstruida con un objeto mientras se la sube o baja, ésta se detendrá. Con cuidado retire la obstrucción y la ventilación descenderá hasta la posición que se desea bajar. Vuelva a presionar el botón para regresar a las funciones normales.

Consejos De Cocción

El elevado movimiento de aire de este sistema de ventilación puede aumentar los tiempos de cocción de algunos alimentos. Puede tomar más tiempo alcanzar temperaturas de cocción elevadas si se acciona la ventilación en la configuración "alta" desde el comienzo. Para mejores resultados de cocción, ajuste la velocidad del ventilador.

Para mejores resultados cuando caliente aceite para freír o cuando hierva agua, utilice las unidades de superficie frontales o espere a que el agua esté hirviendo o a que el aceite se encuentre a temperatura de fritura antes de accionar el sistema de ventilación.

Es posible que el sistema de ventilación no capture por completo todo el vapor proveniente de las ollas de los quemadores frontales.

Sistema De Ventilación De Corriente Descendente

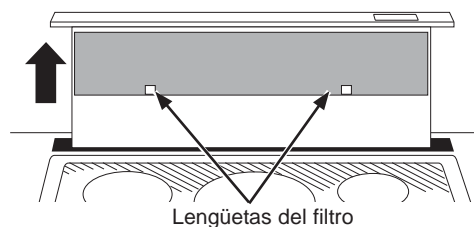
Filtros De Grasa

La eficiencia del sistema de ventilación depende de la limpieza del filtro. La frecuencia de limpieza depende del tipo de cocción que realice. Los filtros de grasa deben limpiarse por lo menos una vez por mes. Nunca opere el sistema de ventilación si los filtros no están colocados correctamente.

Para quitar: Retire los filtros de la salida de aire, llegando hasta los mismos a través de la abertura de la ventilación, presionando hacia abajo y luego hacia afuera. **NOTA:** Los filtros poseen diferentes tamaños. Asegúrese de reemplazarlos una vez retirados, colocando el más ancho sobre la izquierda.

Para limpiar: Sumerja y luego agite en una solución de detergente caliente. Puede utilizarse un cepillo suave para quitar la suciedad muy adherida. Enjuague, agite y quite la humedad antes de volver a colocar. **No lave los filtros en el lavavajillas.**

Con una manipulación cuidadosa, el filtro durará muchos años. Si necesita reemplazarlo, solicite el repuesto a su vendedor.



Superficies Pintadas O De Acero Inoxidable

No utilice almohadillas de acero porque rayan la superficie.

Para limpiar la superficie de acero inoxidable, utilice agua tibia jabonosa o un limpiador o lustrador para acero inoxidable. Siempre limpie la superficie en dirección de la veta. Siga las instrucciones del producto para limpiar la superficie de acero inoxidable.

En caso de haber manchas difíciles de quitar sobre el acero inoxidable, use un limpiador que contenga ácido láctico o ácido cítrico.

Para realizar consultas sobre la adquisición de productos, incluyendo limpiadores o pulidores para electrodomésticos de acero inoxidable, lea las secciones de Asistencia y Accesorios, en el comienzo de este manual.

Instrucciones de instalación

Sistemas de Ventilación de Aire Descendente

UVD6301S, UVD6361S

? ¿Preguntas? Llame al 800.GE.CARES (800.432.2737) o visite nuestro sitio Web en: GEAppliances.com

ANTES DE COMENZAR

Lea estas instrucciones por completo y con detenimiento.

- **IMPORTANTE** — Guarde estas instrucciones para el uso de inspectores locales.
- **IMPORTANTE** — Cumpla con todos los códigos y ordenanzas vigentes.
- **Nota al instalador** – Asegúrese de dejar estas instrucciones con el consumidor.
- **Nota al consumidor** – Conserve estas instrucciones para referencias futuras.
- **Nivel de capacidad** – La Instalación de este electrodoméstico debe ser realizada por un instalador calificado o por un electricista.
- El instalador tiene la responsabilidad de efectuar una instalación adecuada.
- La Garantía no cubre las fallas del producto debido a una instalación incorrecta.

INSTRUCCIONES PARA DESCARGA A TIERRA

Este electrodoméstico debe estar conectado a tierra. En caso de que se produzca un cortocircuito, la conexión a tierra reduce el riesgo de descarga eléctrica, brindando un cable de escape de la corriente eléctrica. Este electrodoméstico está equipado con un cable de corriente que posee un cable de conexión a tierra con un enchufe a tierra. El enchufe se deberá colocar en un tomacorriente instalado y conectado a tierra de forma adecuada.

⚠ ADVERTENCIA

Una conexión a tierra inadecuada puede producir riesgos de descargas eléctricas.

Consulte a un electricista calificado en caso de que las instrucciones de conexión a tierra no se entiendan completamente, o si tiene dudas sobre si el electrodoméstico está conectado a tierra de forma apropiada.

No use un prolongador. Si el cable de corriente es demasiado corto, solicite a un electricista calificado que instale un tomacorriente cerca del electrodoméstico.

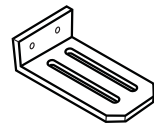
Si el sistema de ventilación que recibió está dañado, se deberá comunicar con su vendedor minorista.

PIEZAS PROVISTAS

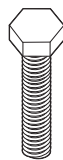
Abra el cartón y retire el paquete de piezas. Controle los contenidos a fin de asegurar que todas las piezas estén presentes.



Filtros - unidad interior -
Cant.: 2



Soportes de Estabilización - Cant.: 2



Tornillo de Montaje de la Mesada 1/4-20 x 2.00 Cab. Hex. Cant.: 2

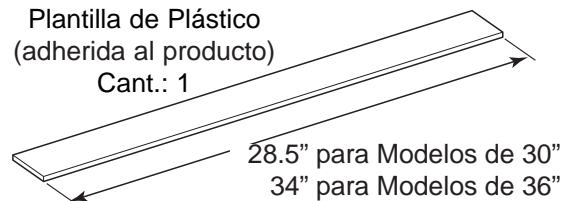


Tornillo de Nivelación de Caída, 1/4-20 x .50 Cab. Hex. - Cant.: 2



Tornillo de madera, nº 8 x.750 SI Redondo - Cant.: 4

Plantilla de Plástico (adherida al producto)
Cant.: 1



HERRAMIENTAS Y MATERIALES REQUERIDOS

- Gafas de seguridad
- Destornillador con cabeza plana largo
- Sierra de vaivén
- Regla de carpintero
- Tubería adecuada para la instalación
- Nivel

QUITE EL EMPAQUE

Retire los materiales embalados y el cartón; deje a un lado el cartón. El cartón puede ser usado como base al cambiar o ajustar la dirección de la ventilación.

Información de Seguridad

⚠️ ADVERTENCIA PARA REDUCIR EL RIESGO DE INCENDIO, DESCARGA ELÉCTRICA O LESIONES A PERSONAS, CUMPLA CON LOS SIGUIENTES PUNTOS:

- El trabajo de instalación y el cableado eléctrico deben ser realizados por una persona(s) calificada de acuerdo con todos los códigos y estándares aplicables, incluyendo construcciones resistentes al fuego.
- Es necesario contar con suficiente cantidad de aire para una combustión y salida de gases adecuadas a través del conducto (chimenea) del equipo de consumo de combustible, a fin de evitar ráfagas de aire. Siga las pautas del fabricante del equipo de calefacción y los estándares de seguridad, tales como aquellos publicados por la Asociación Nacional de Protección contra Incendios (National Fire Protection Association, NFPA), la Sociedad Estadounidense para la Calefacción (American Society for Heating), los Ingenieros de Refrigeración y Acondicionadores de Aire (Refrigeration and Air Conditioning Engineers, ASHRAE) y las autoridades de los códigos locales.
- Al cortar o perforar una pared o un cielorraso, no dañe el cableado eléctrico y de otros servicios ocultos.
- Los ventiladores con conducto siempre deben contar con ventilación hacia el exterior.

⚠️ PRECAUCIÓN PARA REDUCIR EL RIESGO DE INCENDIO Y PARA ELIMINAR EL AIRE DE ESCAPE CORRECTAMENTE, ASEGÚRESE DE DIRIGIR EL AIRE DEL CONDUCTO HACIA EL EXTERIOR. NO VENTILE EL AIRE DE ESCAPE EN ESPACIOS DENTRO DE PAREDES O CIELORRASOS O EN ÁTICOS, HUECOS SANITARIOS O GARAJES.

⚠️ ADVERTENCIA A FIN DE REDUCIR EL RIESGO DE INCENDIOS, USE SÓLO CONDUCTOS DE METAL.

- Cuando corresponda, instale un sistema de reposición (reemplazo) de aire de acuerdo con los requisitos del código local de construcción. Para acceder a soluciones relacionadas con la reposición de aire, visite GEAppliances.com.
- La tubería de cloaca de PVC puede ser usada como conducto bajo una losa de concreto, si esto lo permite la junta del código local.

Preparación para la instalación

SUMINISTRO DE ENERGÍA

Esta ventilación de aire descendente debe ser provista con 120V, 60 Hz, y estar conectada a un circuito de empalmes individual correctamente conectado a tierra, protegido por un disyuntor o fusible de retardo de 15 o 20 amp.

Un receptáculo de 3 clavijas correctamente conectado a tierra debe estar dentro del alcance del cable de corriente de dos pies de la ventilación.

• Superficies de Cocción a Gas

Si esta ventilación es instalada junto con una superficie de cocción a gas de GE o Monogram, puede funcionar desde el mismo tomacorriente doble.

• Superficies de Cocción Eléctricas

Si esta ventilación es instalada junto con una superficie de cocción eléctrica de GE o Monogram, la ventilación debe funcionar desde un tomacorriente de 120V aparte.

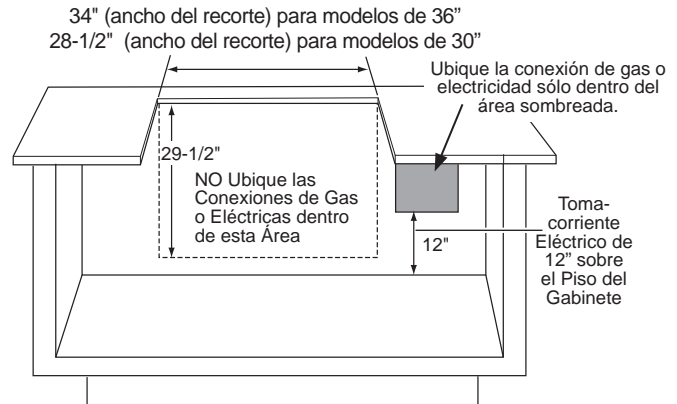
Ubique el receptáculo dentro del gabinete en la pared lateral derecha (vea la ilustración). El receptáculo no puede ser colocado en la parte trasera de la pared del gabinete, donde puede interferir con el plenum de aire descendente.

El cable de corriente de la ventilación de aire descendente se debe conducir por debajo de la superficie de cocción y alejado del calor generado por esta última.

Asegúrese de que la superficie de cocción sea instalada de acuerdo con las instrucciones de instalación del fabricante.

ESPECIFICACIONES

VOLTIOS	AMPERIOS	CONDUCTO
120	4.0	3-1/4 X 10



IMPORTANTE

(Tenga a bien leer cuidadosamente)

El cable de corriente de este electrodoméstico cuenta con un enchufe de 3 clavijas (con cable a tierra) que se conecta a un receptáculo de pared con conexión a tierra de tres clavijas para minimizar la posibilidad de descargas eléctricas. El cliente deberá solicitar a un electricista calificado que controle el receptáculo de pared y el circuito, a fin de asegurar que el receptáculo esté adecuadamente conectado a tierra y que cuente con la polaridad correcta.

- En caso de contar con un receptáculo de pared de dos clavijas, es responsabilidad y obligación del cliente reemplazarlo por un tomacorriente de pared de tres clavijas correctamente conectado a tierra.

Nunca, bajo ninguna circunstancia, corte o elimine el tercer cable (tierra) del cable de corriente.

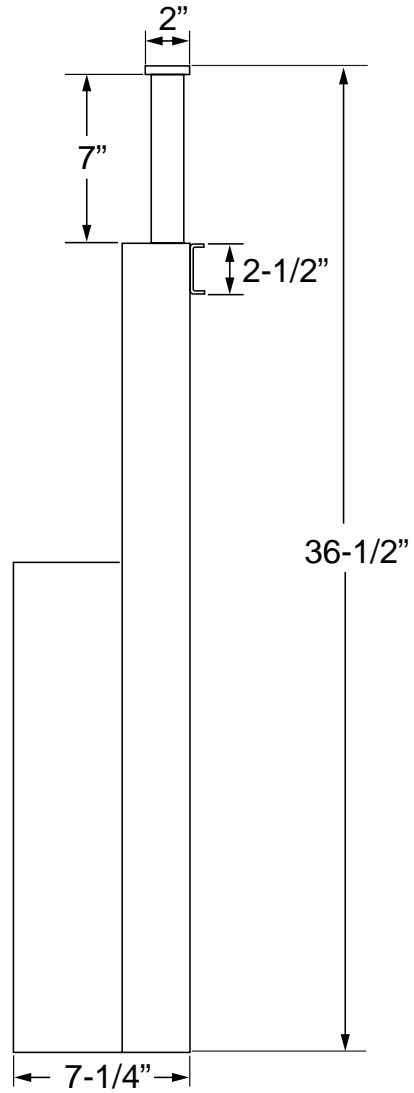
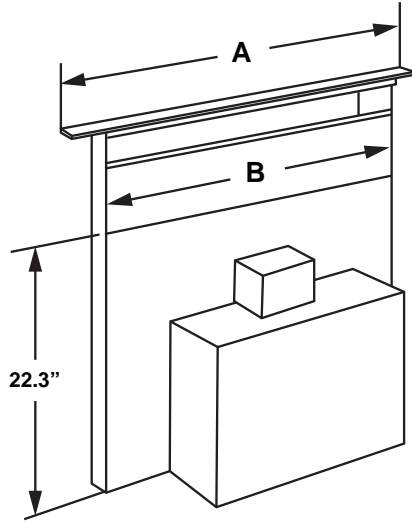
No use prolongadores ni adaptadores con este electrodoméstico. Siga el Código Nacional de Electricidad o los códigos y ordenanzas locales establecidos.

Ubicación de la Etiqueta de Clasificación en el frente del chasis del sistema de ventilación.

Preparación para la instalación

DIMENSIONES DEL PRODUCTO

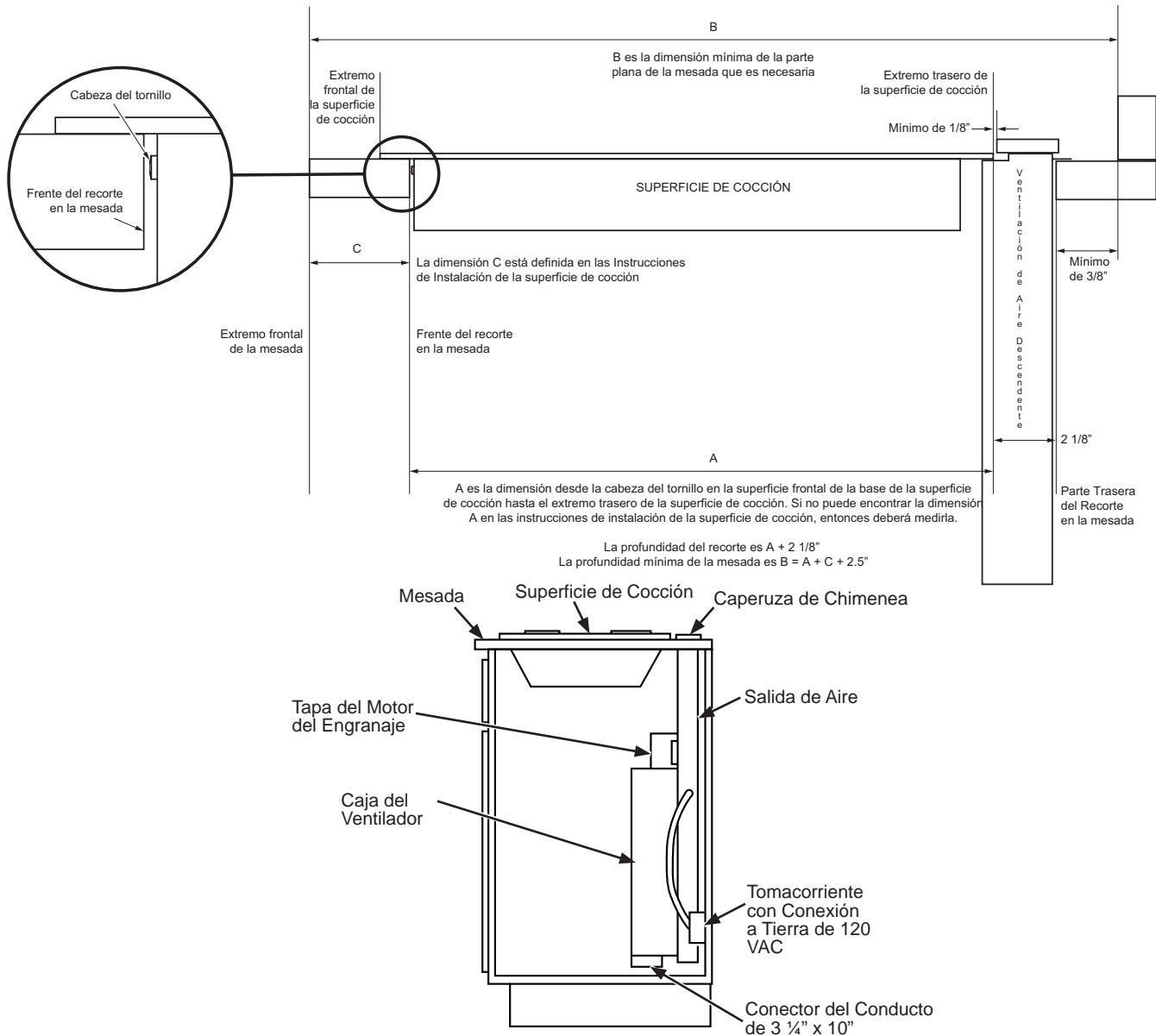
	A	B
30" Modelos	30"	26-1/4"
36" Modelos	36"	32-1/4"



Preparación para la instalación

PREPARÁNDOSE PARA LA INSTALACIÓN

- Desembale la superficie de cocción y lea las Instrucciones de Instalación a fin de entender las dimensiones necesarias requeridas para la mesada y su ubicación, el espacio entre la superficie de cocción y el extremo frontal de la mesada, y los despejes necesarios con los gabinetes y paredes. El ancho del espacio requerido para el sistema de ventilación se muestra en la página 9. Confirme que haya suficiente espacio entre un lado y otro para contar con los espacios y despejes necesarios para la superficie de cocción.
- Utilizando las siguientes ilustraciones y tomando las medidas de la superficie de cocción para establecer la dimensión A, confirme que haya suficiente espacio entre el frente y la parte trasera (dimensión B) para colocar tanto la superficie de cocción como el sistema de ventilación. Observe que el extremo trasero de la superficie de cocción se superpondrá con la superficie frontal del sistema de ventilación (consulte la Página 10).
- De ser necesario más espacio para la mesada, consulte la sección de Soluciones Creativas en la página 13.
- Utilizando las ilustraciones en las páginas 9 y 12 y tomando las medidas del sistema de ventilación y la ubicación de la salida de la ventilación, confirme los espacios necesarios dentro del gabinete, la dirección del escape de la ventilación, y la alineación del escape de la ventilación con el conducto. De ser necesario para el despeje o la alineación del enlace del conducto, repositone la ubicación de la superficie de cocción, o modifique la ubicación de los muebles, o la tubería.
- Confirme que los receptáculos eléctricos y las tuberías de gas estén correctamente ubicadas, y vuelva a ubicar las mismas de ser necesario.



Preparación para la instalación

OPCIONES DE VENTILACIÓN

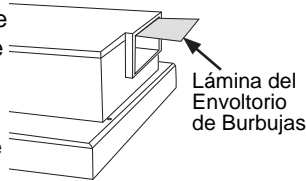
- La ventilación de aire hacia abajo es enviada con el tomacorriente de descarga apuntando hacia abajo y puede ser modificada hacia el lado izquierdo o derecho. A fin de evitar problemas de interferencias, la descarga de corriente descendente no podrá ser ventilada hacia la derecha, cuando se instale con una superficie de cocción a gas de GE o Monogram, o con una superficie de cocción eléctrica que no sea de inducción de GE o Monogram.
- El tomacorriente del calefactor está ajustado para la medida de 3 1/4" x 10" y puede ser modificado hasta 6".

El ventilador se envía con su descarga mirando hacia ABAJO. Siga estos pasos ÚNICAMENTE si:

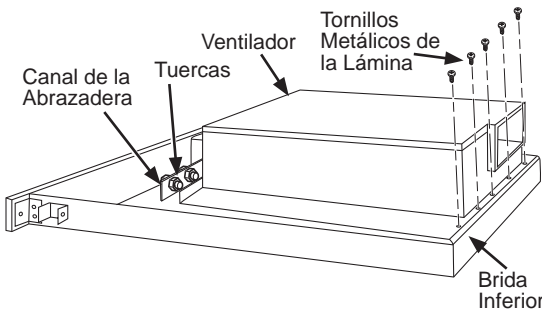
- es necesario mover la posición de descarga del ventilador, de modo que el conducto no interfiera con viguetas de pisos, tuberías o cableados que pasen por debajo.
- es necesario rotar la descarga del ventilador hacia la DERECHA o IZQUIERDA.

Coloque la unidad sobre su parte trasera en una mesa o superficie de trabajo.

Haga fuerza hacia afuera para retirar la lámina del envoltorio de burbujas. Asegúrese de que no quede nada dentro.

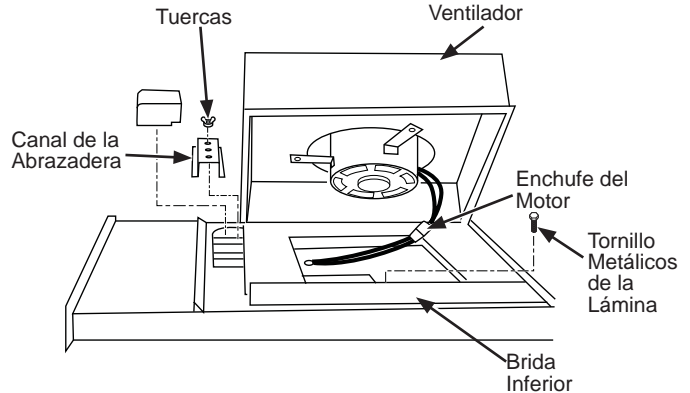


DESCARGA DESCENDENTE – MOVIMIENTO DEL VENTILADOR HACIA LA IZQUIERDA O DERECHA



- Afloje las 4 tuercas y los 2 canales de abrazaderas.
- Retire los 5 tornillos de la parte inferior. Estos 5 tornillos son de embalaje y no es necesario volver a ajustarlos.
- Deslice el ventilador hasta la posición deseada.
- Use la placa de la tapa suministrada para cerrar el espacio abierto (si lo hay).
- Ajuste las tuercas de mariposa para asegurar el ventilador y ajuste los tornillos de la lámina metálica a través de la brida inferior a fin de asegurar la parte inferior del ventilador

DESCARGA HACIA LA IZQUIERDA O DERECHA



- Retire las 4 tuercas y los 2 canales de abrazaderas.
- Retire los 5 tornillos de la parte inferior. Estos 5 tornillos son de embalaje y no es necesario volver a ajustarlos.
- Con cuidado levante el ventilador y desconecte el enchufe del motor, de ser necesario. Vuelva a posicionar el ventilador y RECONECTE EL ENCHUFE DEL MOTOR.
- Use la placa de la tapa suministrada para cerrar el espacio abierto (si lo hay).
- Reemplace los canales de la abrazadera y use las tuercas para asegurar el soplador en su nueva posición.
- Use los tornillos de la lámina metálica a través de la brida inferior a fin de asegurar la parte inferior del soplador.

Para un mejor funcionamiento: elija la opción de tubería que permita la longitud más corta y el mínimo número de codos y transiciones. Controle la ubicación de las viguetas del piso, montajes de pared, cableado eléctrico y plomería para evitar posibles interferencias.

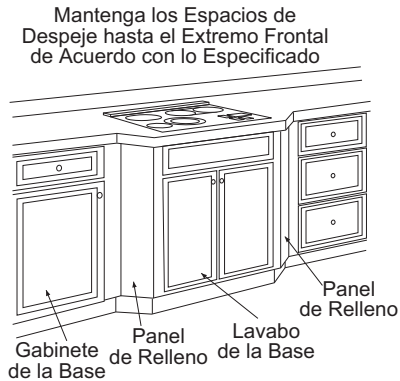
NOTA: La unidad se envía con la descarga de 3 1/4" x 10" hacia ABAJO. Consulte el "CAMBIO DE DIRECCIÓN DEL VENTILADOR" en la página 3, de ser necesario.

El sistema funcionará de forma más eficiente cuando el conducto no supere los 40 pies del conducto equivalente. El cuadro que aparece a continuación muestra los pies equivalentes de los codos y las transiciones. El número de pies del conducto recto más los pies equivalentes de las transiciones y/o codos que se usarán deberá ser igual a 40 pies o menos.

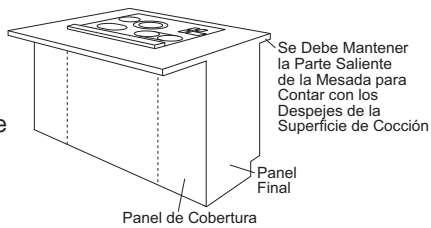
Codo Redondeado de 6"	Transición Redondeada de 3 1/4" x 10" a 6"	Codo de 90° de 3 1/4" x 10"
igual a 6 pies de conducto recto	igual a 2 pies de conducto recto	igual a 8 pies de conducto recto

SOLUCIONES CREATIVAS

- Cuando el diseño de la cocina requiera una instalación contra la pared, mueva el gabinete de la base hacia delante entre 3" y 5". Los paneles de relleno o las molduras complementarias pueden ser agregadas a los costados expuestos de los gabinetes.

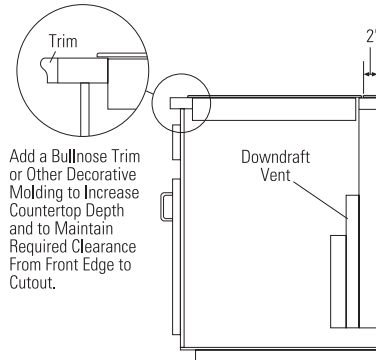


- En una isla o península, use una mesada extra profunda. La parte saliente del frente de la mesada puede ser ajustada para cumplir con los requisitos entre el mueble lindero y el espacio de recorte.

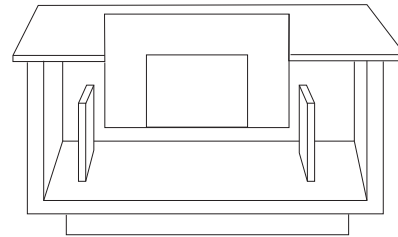


- Cuando el espacio de recorte requerido hasta el extremo frontal de la mesada sea superior a 2", agregue un borde redondeado al extremo frontal de la mesada. Incluya el ancho del borde al medir el espacio requerido desde el extremo frontal hasta el recorte. Al agregar el borde, la superficie de cocción puede ser movida hacia delante,

brindando profundidad adicional a la mesada y al espacio interno de los gabinetes.



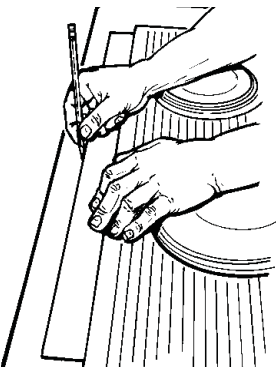
- Cuando las distancias entre la ventilación y las paredes laterales internas de los gabinetes sean superiores a 5 1/2" y/o la pared trasera del gabinete interno sea superior a 4 1/2", se deberán construir paredes falsas dentro del gabinete para asegurar la ventilación con los soportes de estabilización (consulte los Recortes y Despejes en Preparación de la Instalación).



PREPARACIÓN DE LA MESADA

Apoye y corte el recorte de la superficie de cocción lo suficiente HACIA DELANTE de modo que la caída se ajuste detrás de éste.

1. Configure la superficie de cocción en su posición y deslice la misma tan hacia delante como sea posible. Centre y cuadre la misma con los extremos o la mesada.
2. Coloque la plantilla de plástico contra la brida trasera de la superficie de cocción y centre la misma. Realice un trazado alrededor de la plantilla para marcar la abertura descendente.



3. Retire la superficie de cocción de la mesada.
4. Corte la abertura descendente. Tenga cuidado de no astillar los extremos de la mesada.

Preparación para la instalación

PREPARACIÓN DEL CONDUCTO

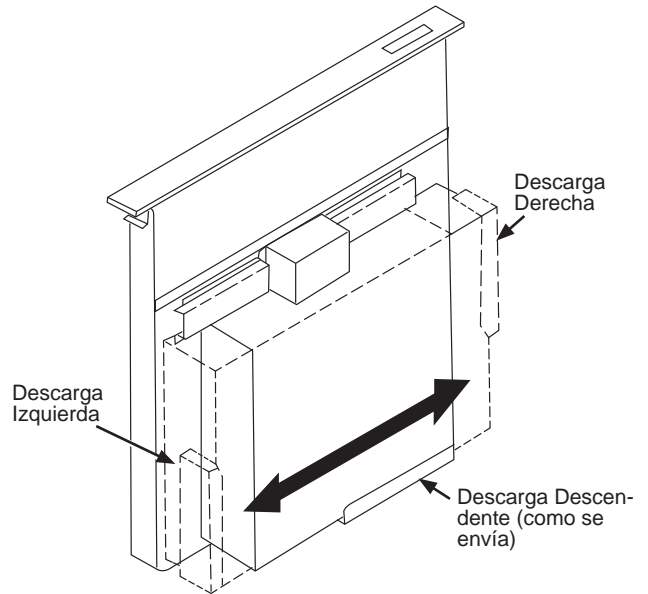
Determine el mejor recorrido para el conducto; el mismo puede ser conducido de diferentes formas dependiendo del esquema de la cocina.

IMPORTANTE: La salida de la descarga de aire descendente para esta unidad es rectangular, y con una medida de 3 1/4" x 10". Planifique el recorrido de forma consecuente.

Serie de mesadas con distribución típica de tuberías.

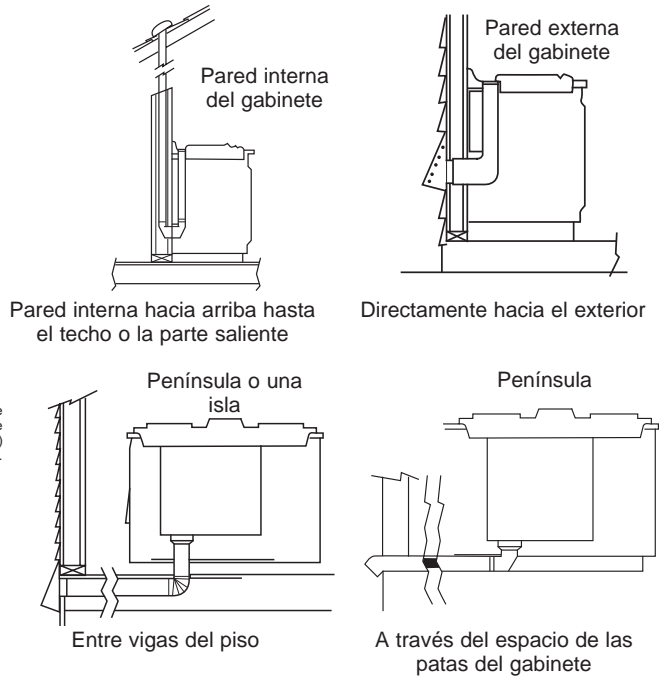
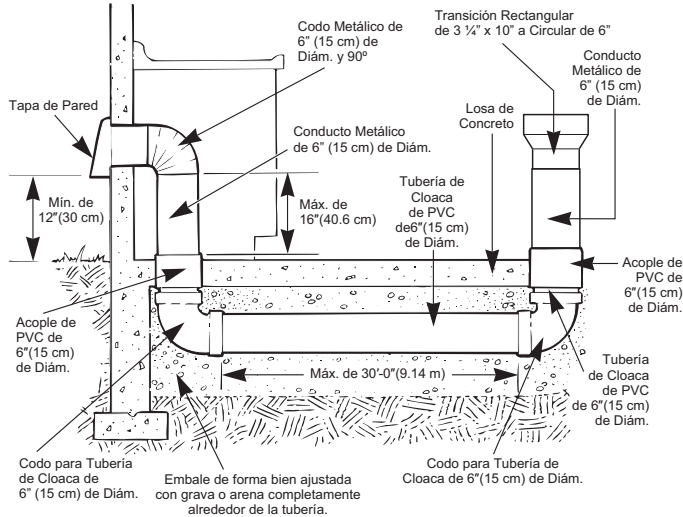
A fin de maximizar el rendimiento de la ventilación del sistema de ventilación:

1. Minimice la longitud del conducto y el número de transiciones y codos.
2. Mantenga un tamaño de conducto constante.
3. Selle todas las juntas con cinta para conductos a fin de evitar pérdidas.
4. No utilice conductos flexibles de ningún tipo.

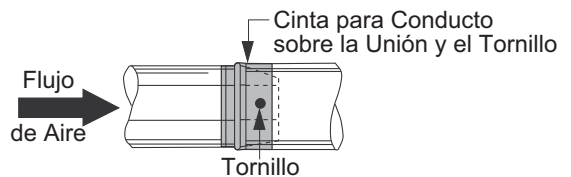


Arreglo opcional del conducto bajo una losa de concreto. Se deberá usar un conducto de PVC si se instalará bajo una losa de concreto.

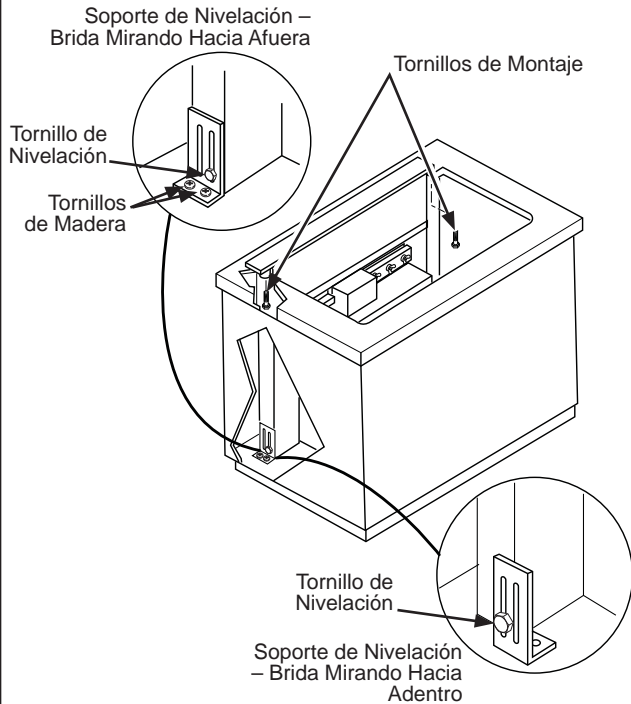
NOTA: Tubería de cloaca de PVC tipo PSM 12454-B Norma 40 ASTM D1785.



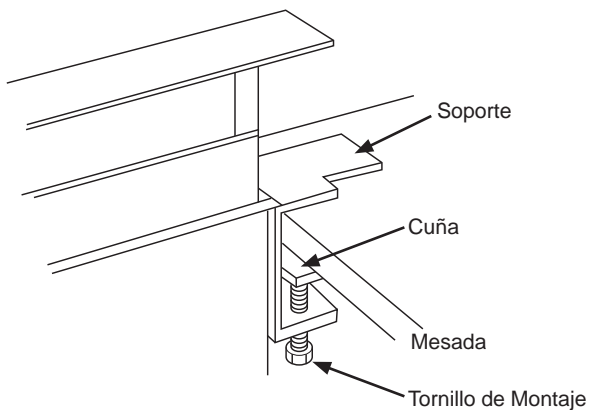
Instale la tubería de modo que el trozo de conducto más cercano a la unidad de ventilación de aire descendente encaje DENTRO DE la siguiente pieza del conducto. Asegure las uniones con tornillos autorroscantes y coloque cinta para conductos alrededor de las uniones, a fin de sellar la salida de aire.



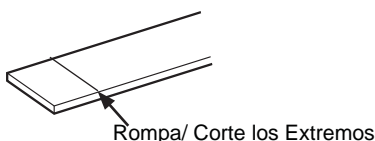
1 MONTA LA UNIDAD



- A** Configure la caída en la abertura. Extienda los soportes de nivelación hasta el piso del gabinete de modo que la caída se apoye de forma recta. (**NOTA: Los soportes de nivelación se podrán retirar y volver a adherir en otras posiciones. Es posible que la brida inferior mire hacia adentro en instalaciones de gabinetes ajustadas.**)
- B** Asegure la caída hasta la mesada del siguiente modo: sostenga la caída contra la parte trasera del recorte de la mesada y ajuste los 2 tornillos de montaje (uno en cada extremo de la unidad) sobre la parte inferior de la mesada. Use una cuña entre el tornillo y la parte inferior en mesadas de granito.



Los extremos de la plantilla se podrán romper o ser cortados y usados como cuñas, de ser necesario.



1 MONTA LA UNIDAD (Cont.)

- C** Soportes de nivelación de tornillos en la parte inferior del gabinete usando los cuatro tornillos de madera (provistos con la unidad) a cada lado.
- D** Ajuste los tornillos de nivelación a través de las ranuras del soporte de nivelación a la unidad sobre cada lado.
- E** Coloque la superficie de cocción en el espacio libre de la mesada. Deberá haber una brecha mínima de 1/8" entre el frente del marco de ventilación y la parte trasera de la superficie de cocción.
- F** Conecte el conducto. Use una tapa de techo o de pared (con regulador) diseñada para uso con campanas de cocina y sistemas de ventilación.

2 CONECTE LA CORRIENTE

Enchufe el cable de corriente en un receptáculo correctamente conectado a tierra.

3 INSTALE LOS FILTROS, CONTROLE EL FUNCIONAMIENTO

- Presione el botón de la tapa superior para elevar la ventilación.
- Levante la ventilación hacia arriba y empuje hacia delante.
- Deslice el filtro sobre los tensores y cierre la ventilación.
- Gire la perilla sobre el lado derecho de la salida de aire para activar el ventilador y ajuste la velocidad.
- A fin de bajar la ventilación, presione el botón de la tapa superior.

NOTA: No es necesario apagar el ventilador antes de bajar el nivel de ventilación. El ventilador se apagará de forma automática cuando la ventilación se baje. Cuando el ventilador no es apagado antes de bajar el nivel de ventilación, el mismo irá de forma automática a la velocidad configurada previamente cuando la ventilación se incremente hasta el máximo.

Consejos para la Solución de Problemas... Antes de solicitar el servicio técnico

Ahorre tiempo y dinero! Primero revise los cuadros que aparecen en las siguientes páginas y es posible que no necesite solicitar reparaciones.

Problema	Causa Posible	Qué hacer
El ventilador no funciona	El ventilador no está extendido por completo.	Presione el botón de la tapa superior.
La ventilación no funciona	La ventilación no está enchufada en un tomacorriente.	Enchufe la ventilación en un tomacorriente de 120V.
	Presione el botón de la tapa superior.	Mantenga presionado el botón durante un par de segundos para activar el motor.
	El interruptor de circuitos puede haber saltado.	Verifique el interruptor de circuitos y reconfigúrelo si fuera necesario.
	Se requiere suficiente reposición (reemplazo) de aire para que los artefactos con salida de aire funcionen de acuerdo con sus calificaciones energéticas.	Controle los códigos locales de construcción, que podrán requerir o aconsejar enfáticamente el uso de reposición de aire. Para acceder a soluciones de aire disponibles, visite GEAppliances.com .

Garantía de GE Appliances

GEAppliances.com

Todo el servicio de garantía es provisto por nuestros Centros de Servicio de Fabricación, o un técnico autorizado de Customer Care®. Para programar una visita del servicio técnico a través de Internet, visítenos en www.geappliances.com/service_and_support/, o llame al 800.GE.CARES (800.432.2737). Cuando llame para solicitar el servicio, tenga los números de serie y modelo disponibles.

Para realizar el servicio técnico de su electrodoméstico, se podrá requerir el uso de datos del puerto de abordaje para su diagnóstico. Esto da al técnico del servicio de fábrica de GE Appliances la habilidad de diagnosticar de forma rápida cualquier problema con su electrodoméstico, y de ayudar a GE Appliances a mejorar sus productos al brindarle a GE Appliances la información sobre su electrodoméstico. Si no desea que los datos de su electrodoméstico sean enviados a GE Appliances, solicitamos que le indique a su técnico no entregar los datos a GE Appliances en el momento del servicio.

Por el Período de	GE Appliances reemplazará
Un Año Desde la fecha de la compra original	Cualquier pieza del producto de cocción que falle debido a un defecto en los materiales o la fabricación. Durante esta garantía limitada de un año , GE Appliances también proveerá, sin costo , todo el trabajo y costos del servicio relacionados con el reemplazo de la pieza defectuosa.

Qué no cubrirá GE Appliances:

- Viajes del técnico del servicio a su hogar para enseñarle sobre cómo usar el producto.
- Instalación, entrega o mantenimiento inadecuados.
- Fallas del producto en caso de abuso, mal uso, modificación o uso para propósitos diferentes al original o uso comercial.
- Reemplazo de fusibles de la casa o reinicio de disyuntores.
- Daños ocasionados sobre el producto por accidente, incendio, inundaciones o catástrofes naturales.
- Daños incidentales o consecuentes causados por posibles defectos sobre este producto.
- Daños sobre el acabado, tales como óxido sobre la superficie, deslustres o manchas pequeñas no informadas dentro de las 48 horas luego de la entrega.
- Daño causado después de la entrega.
- Producto no accesible para brindar el servicio requerido.
- Marcas o manchas (incluyendo manchas de óxido sobre la superficie) que pueden ser eliminadas siguiendo las instrucciones de limpieza.
- Solicite el servicio técnico para reparar o reemplazar las lámparas, excepto las lámparas LED.

EXCLUSIÓN DE GARANTÍAS IMPLÍCITAS

Su única y exclusiva alternativa es la reparación del producto, como se indica en la Garantía Limitada. Las garantías implícitas, incluyendo garantías implícitas de comerciabilidad o conveniencia sobre un propósito particular, se limitan a un año o al período más corto permitido por la ley.

Esta garantía limitada se extiende al comprador original y a cualquier propietario posterior de los productos comprados para uso doméstico dentro de EE. UU. Si el producto está en un área donde no se encuentra disponible un Proveedor Autorizado del Servicio Técnico de GE Appliances, usted será responsable por el costo de un viaje o se podrá requerir que traiga el producto a una ubicación del Servicio Técnico de GE Appliances autorizado para recibir el servicio. En Alaska, la garantía limitada excluye el costo de envío o visitas de servicio a su domicilio. Algunos estados no permiten la exclusión o limitación de daños fortuitos o consecuentes. Esta garantía limitada le otorga derechos legales específicos, y usted también podría tener otros derechos que varían de estado a estado. Para conocer cuáles son sus derechos legales, consulte a la oficina de asuntos del consumidor local o estatal o al Fiscal de su estado.

Garante: GE Appliances, a Haier company

Louisville, KY 40225

Garantías Extendidas: Adquiera una garantía extendida de GE Appliances y conozca los descuentos especiales que están disponibles mientras su garantía aún está vigente. Puede acceder a la misma a través de Internet en cualquier momento en

GEAppliances.com/extended-warranty

o llamando al 800.626.2224 durante el horario comercial. Los Servicios para los GE Appliances aún estarán disponibles cuando su garantía caduque.

Si usted recibió un sistema de ventilación de corriente descendente averiado

Comuníquese de inmediato con el vendedor (o constructor) que le vendió el sistema de ventilación de corriente descendente.

Abroche su recibo aquí. Para acceder al servicio técnico de acuerdo con la garantía deberá contar con la prueba de la fecha original de compra.

Accesorios

¿Busca Algo Más?

GE Appliances ofrece una variedad de accesorios para mejorar sus experiencias de cocción y mantenimiento!

Para acceder a números telefónicos e información de sitios Web, consulte la página de Soporte para el Consumidor.

Estos y otros productos están disponibles:

Piezas

Marco de Acero Inoxidable Negro (30")

Marco de Acero Inoxidable Negro (36")

Suministros de Limpieza

Limpiadores de Acero Inoxidable CitriShine™

Limpiador de Electrodomésticos de Acero Inoxidable

Notas

Soporte para el Consumidor

Sitio Web de GE Appliances

¿Desea realizar una consulta o necesita ayuda con su electrodoméstico? ¡Intente a través del Sitio Web de GE Appliances las 24 horas del día, cualquier día del año! Usted también puede comprar más electrodomésticos maravillosos de GE Appliances y aprovechar todos nuestros servicios de soporte a través de Internet, diseñados para su conveniencia.

En EE.UU.: GEAppliances.com

Registre su Electrodoméstico

¡Registre su electrodoméstico nuevo a través de Internet, según su conveniencia! Un registro puntual de su producto permitirá una mejor comunicación y un servicio más puntual de acuerdo con los términos de su garantía, en caso de surgir la necesidad. También puede enviar una carta en la tarjeta de inscripción preimpresa que se incluye con el material embalado.

En EE.UU.: GEAppliances.com/register

Servicio Programado

El servicio de reparación de expertos de GE Appliances está a sólo un paso de su puerta. Conéctese a través de Internet y programe su servicio a su conveniencia cualquier día del año. En EE.UU.: GEAppliances.com/service o comuníquese al 800.432.2737 durante el horario de atención comercial.

Garantías Extendidas

Adquiera una garantía extendida de GE Appliances y conozca los descuentos especiales que están disponibles mientras su garantía aún está vigente. La puede adquirir en cualquier momento a través de Internet. Los servicios de GE Appliances aún estarán allí cuando su garantía caduque.

En EE.UU.: GEAppliances.com/extended-warranty

o comuníquese al 800.626.2224 durante el horario de atención comercial.

Conectividad Remota

Para solicitar asistencia para la conectividad de red inalámbrica (para modelos con acceso remoto), visite nuestro sitio web en GEAppliances.com/connect o comuníquese al 800.220.6899 en EE.UU.

Piezas y Accesorios

Aquellos individuos calificados para realizar el servicio técnico de sus propios electrodomésticos podrán solicitar el envío de piezas o accesorios directamente a sus hogares (se aceptan las tarjetas VISA, MasterCard y Discover). Ordene hoy a través de Internet durante las 24 horas, todos los días. En EE.UU.: GEApplianceparts.com o de forma telefónica al 877.959.8688 durante el horario de atención comercial.

Las instrucciones que figuran en este manual cubren los procedimientos que serán realizados por cualquier usuario. Otros servicios técnicos generalmente deben ser derivados a personal calificado del servicio. Se deberá tener cuidado, ya que una reparación indebida podrá hacer que el funcionamiento no sea seguro.

Contáctenos

Si no se encuentra satisfecho con el servicio que recibió de GE Appliances, comuníquese con nosotros a través de nuestro sitio Web con todos los detalles, incluyendo su número telefónico, o escriba a:

En EE.UU.: General Manager, Customer Relations | GE Appliances, Appliance Park | Louisville, KY 40225

GEAppliances.com/contact