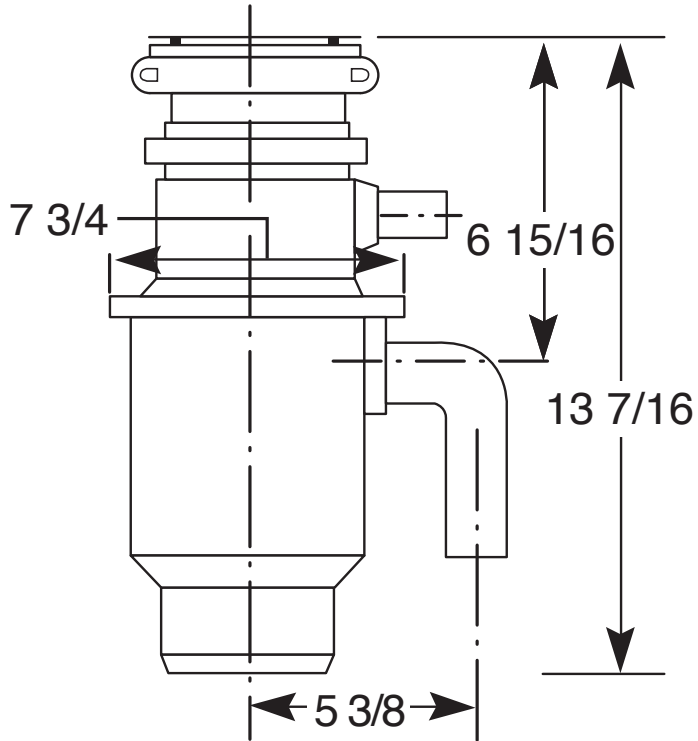


# GFC535N

## GE<sup>®</sup> 1/2 Horsepower Continuous-Feed Disposer

### DISPOSALL<sup>®</sup> FOOD WASTE DISPOSER DIMENSIONS (IN INCHES)



INLET/OUTLET DIAMETERS	
Dishwasher inlet diameter (in.)	1
Drain outlet diameter (in.)	1-1/2

POWER/RATINGS	
Power Connection	Line Cord
Volts/Hertz/Amps	120 V/60 Hz/4.5 A



For answers to your Monogram, GE Café™ Series, GE Profile™ Series or GE Appliances product questions, visit our website at [geappliances.com](http://geappliances.com) or call GE Answer Center<sup>®</sup> Service, 800.626.2000.



Specification Created 3/19

# GFC535N

## GE® 1/2 Horsepower Continuous-Feed Disposer

### FEATURES AND BENEFITS

1/2 Horsepower Motor

Extra-Large-Capacity, Continuous-Feed Disposer

Over 2,800 RPM Grinding Action\*

Stainless Steel Jam-Resistant, Dual-Swivel Impellers

EZ Mount installation

Line Cord Power Connection, length = 35"

Sound Reduction Technology

Cold Rolled Carbon Steel Armature Shaft Material SplashGuard

Wall Switch with Sink Stopper

Manual Reset Overload Protector

Dishwasher Drain Connector

Stainless Steel Sink Flange

Stainless Steel Turntable

2 Level Precutter

Model GFC535N

\*Based on RPM testing of cleared GE and competitive models

