

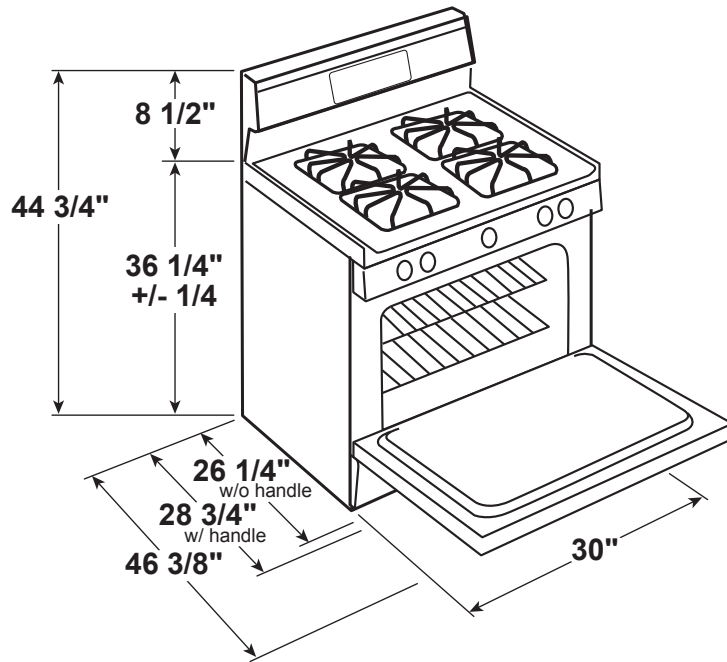
# RGBS300DM

## Hotpoint® 30" Free-Standing Gas Range

### DIMENSIONS AND INSTALLATION INFORMATION (IN INCHES)

**ELECTRICAL RATING:** 120V, 60Hz, 3A

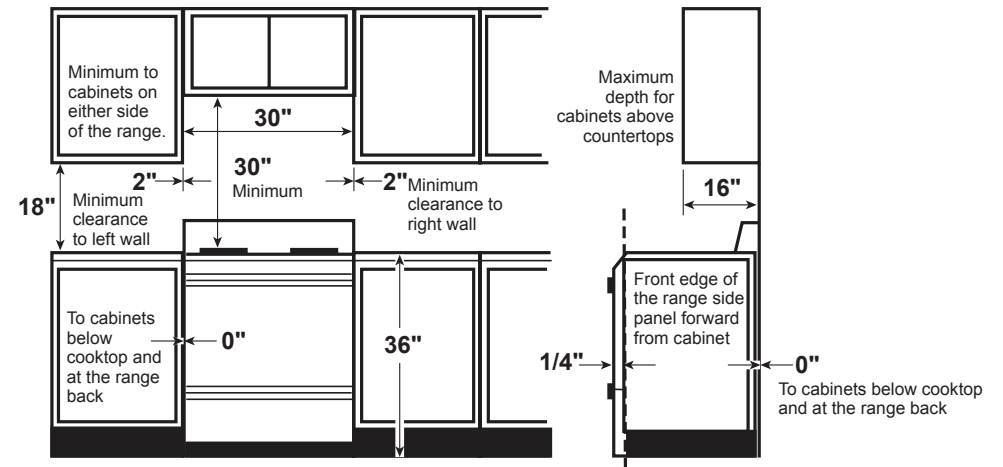
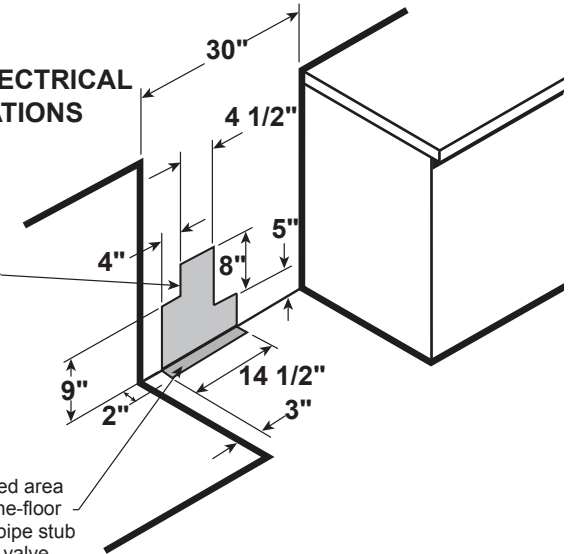
Installation Information: Before installing, consult installation instructions packed with product for current dimensional data.



### GAS PIPE AND ELECTRICAL OUTLET LOCATIONS

Recommended area for 120V outlet on rear wall and area for through-the-wall connection of pipe stub and shut-off valve.

Recommended area for through-the-floor connection of pipe stub and shut-off valve.



# Hotpoint®

For answers to your Hotpoint product questions, visit our website at [hotpoint.com](http://hotpoint.com) or call 800.626.2000.

**ADA  
COMPLIANT**



All GE Appliances ranges are equipped with an Anti-Tip device. The installation of this device is an important, required step in the installation of the range.

Specification Revised 2/22

# RGBS300DM

## Hotpoint® 30" Free-Standing Gas Range

### FEATURES AND BENEFITS

Standard clean oven – Smooth surface and rounded corners make clean-up quick and easy

4.8 cu. ft. oven capacity – Enough room to cook an entire meal at once

Sealed cooktop burners – Contains spills and make cleaning quick and easy

Porcelain upswept cooktop – Raised edges contain spills, while the surface is easy to wipe clean

Heavy steel grates – High-grade steel grates offer dependable, long-lasting performance

Two oven racks – Durable to securely hold any cookware

One-piece durable handle – Strong and long-lasting

Broiler drawer – Delivers high concentrated heat for crisping and browning

Sabbath Mode

Model RGBS300DMWW – White

Model RGBS300DMBB – Black

