

PS960BL/EL/SL

GE Profile™ Series 30" Slide-In Electric Double Oven Convection Range

DIMENSIONS AND INSTALLATION INFORMATION (IN INCHES)

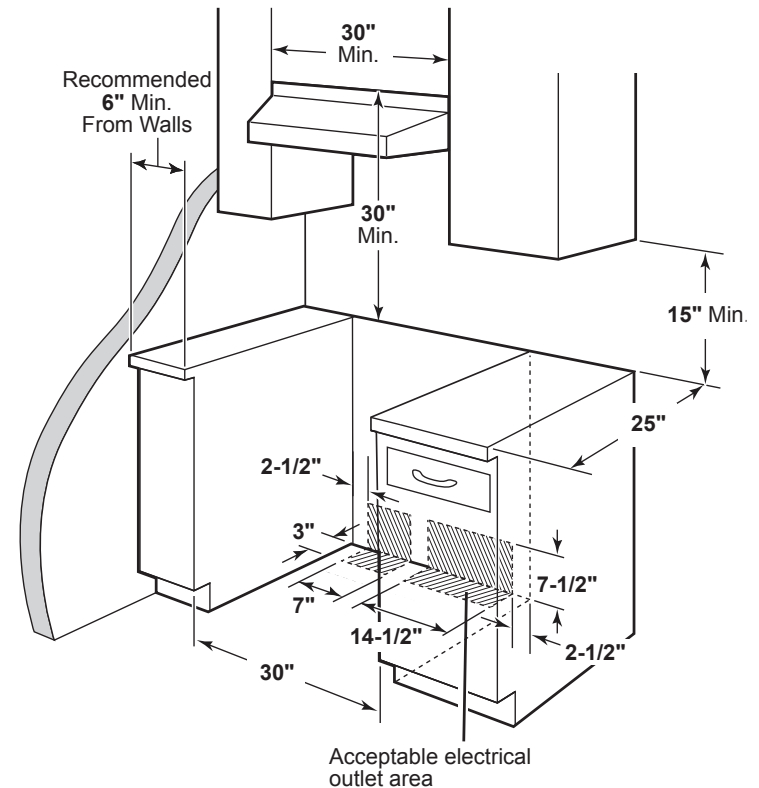
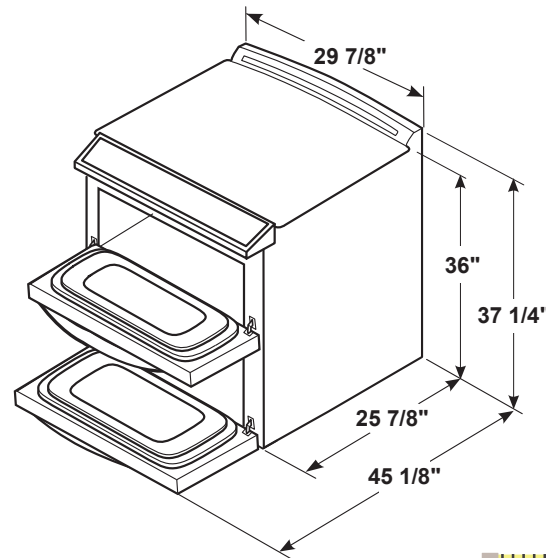
RECEPTACLE LOCATIONS: Locally approved flexible service cord or conduit must be used because terminals are not accessible after range installation. See shaded area in drawing for location of electrical outlet box. Recommended outlet locations allow range to be installed directly against rear wall.

NOTE: This appliance has been approved for 0" spacing to adjacent surfaces above the cooktop. However, a 6" minimum spacing to surfaces less than 15" above the cooktop and adjacent cabinet is recommended to reduce exposure to steam, grease splatter and heat.

INSTALLATION INFORMATION: Before installing, consult installation instructions for current dimensional data and additional requirements

KW RATING	
240V	16.0
208V	12.0
BREAKER SIZE	
240V	40 Amps [†]
208V	40 Amps [†]

[†]**NOTE:** Check local codes for required breaker size.



For answers to your Monogram, GE Café™ Series, GE Profile™ Series or GE Appliances product questions, visit our website at geappliances.com or call GE Answer Center® Service, 800.626.2000.



All GE ranges are equipped with an Anti-Tip device. The installation of this device is an important, required step in the installation of the range.



PS960BL/EL/SL

GE Profile™ Series 30" Slide-In Electric Double Oven Convection Range

FEATURES AND BENEFITS

12"/9"/6" 3,600W Power Boil - Pots and pans fit perfectly on the flexible heating element

8"/5" and 8" synchronized elements - Control two elements with the touch of a single button and create a larger cooking surface for big cookware like griddles

Glide touch controls - Precisely control element temperature with just the swipe of a finger

Wifi Connect - Wirelessly control oven functions from your smartphone

Chef Connect - Three options with a single touch. For instant convenience, choose when to automatically sync clocks and the range elements with the microwave's surface light and vent

True European Convection with Precise Air - Accurate heat circulation ensures evenly baked foods

Self-clean, heavy-duty oven racks - Long-lasting racks look great and can be cleaned at the same time as the oven

Temperature Probe - Internal probe allows monitoring of roasts and meats to assure they are thoroughly and accurately cooked without opening the oven door

Fast preheat - Make hot meals in a hurry with less time preheating

6.7 cu. ft. total double oven capacity - An upper everyday oven preheats quickly while the larger lower oven is perfect for dinner parties and large meals

Hidden bake oven interior - Make cleanup easy by eliminating hard-to-reach areas

Model PS960BLTS - Black stainless

Model PS960ELES - Slate

Model PS960SLSS - Stainless steel



GUARANTEED FIT

Replace your old 30" free-standing range with a new 30" slide-in model.

GE slide-in ranges are guaranteed for an exact fit to make replacement easy

Visit geappliances.com for more info

