

# GTW810SSJ/SPJ

## GE® 5.1 DOE cu. ft. capacity washer with stainless steel basket

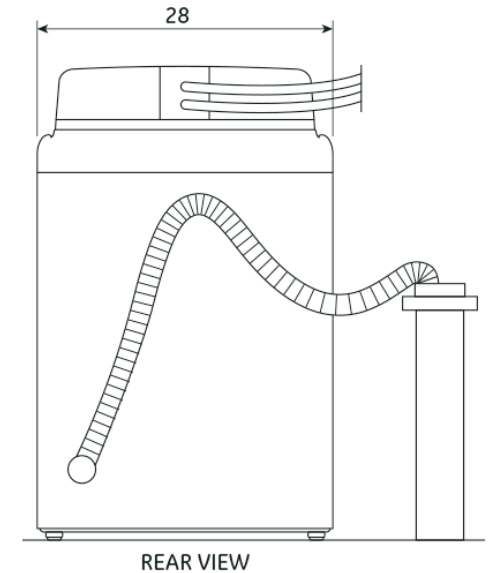
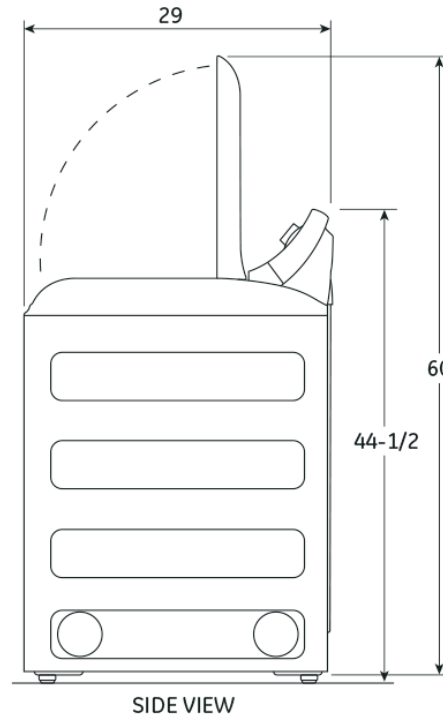
### Dimensions and Installation Information (in inches)

**Circuit Requirements:** An individual, properly-grounded branch circuit, with a three-prong grounding-type receptacle, protected by a 15 or 20 amp circuit breaker or a time-delay fuse, is required.

**Electrical Rating:** 120V, 60Hz, 10A

**Note:** Washer wall outlet must be located within 36" of service code entry. Wall outlet must not be located behind dryer.

**Installation Information:** Before installing, consult installation instructions packed with product for current dimensional data.



For answers to your Monogram® Profile Series or GE appliance questions, visit our website at [geappliances.com](http://geappliances.com) or call GE Answer Center® service, 800.626.2000.



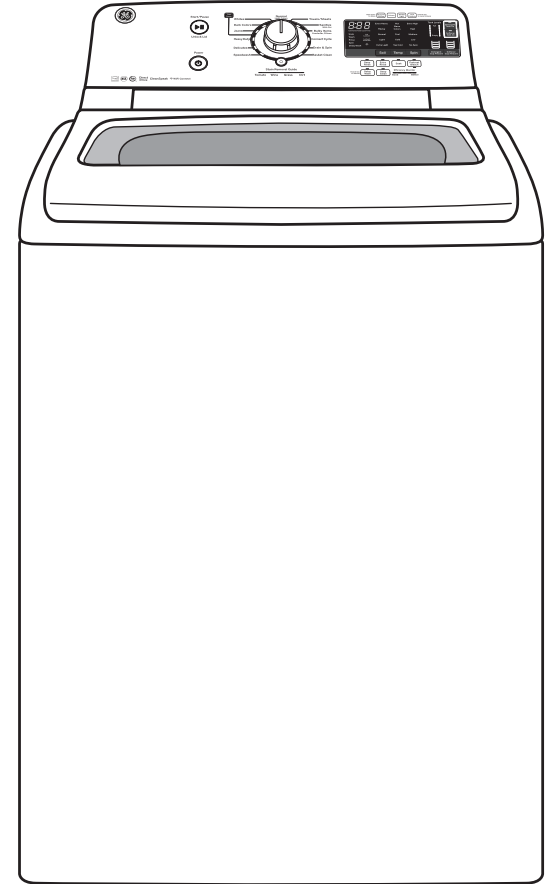
Specification Revised 4/15

# GTW810SSJ/SPJ

## GE® 5.1 DOE cu. ft. capacity washer with stainless steel basket

### Features and Benefits

- Sanitize with Oxi - Remove 99.9% of bacteria with a dedicated cycle that uses an Oxi additive to boost your detergent's cleaning power, while keeping fabrics looking and feeling their best.
- Time Saver - An option that will reduce overall wash time on most cycles by at least 20% without sacrificing wash performance
- Wash action waterfall - Loads receive thorough coverage with this waterfall that combines with a recirculation pump to move water and detergent through clothes
- Stain Removal Guide - Assists removing tough stains with preprogrammed settings that modify your cycle to treat the four most common stains
- Soft-close glass lid - The convenience of hydraulic technology allows the lid to close gently every time
- LED washer basket light - Find every last sock with a bright LED light that effectively lights the wash basket
- Clean Speak Communication System - Perfect drying performance is achievable thanks to the ability of the washer to communicate with the dryer to preset the dry cycle
- ENERGY STAR® qualified and CEE Tier I meets or exceeds federal guidelines for energy efficiency for year-round energy and money savings
- Quietpack - Enjoy a powerful clean that you won't hear thanks to noise-dampening material that holds in sound for a quieter cycle
- Model GTW810SSJWS - White
- Model GTW810SPJMC - Metallic Carbon



Modified Energy Factor (iMEF)	2.76
Water Factor (iWF)	3.5

