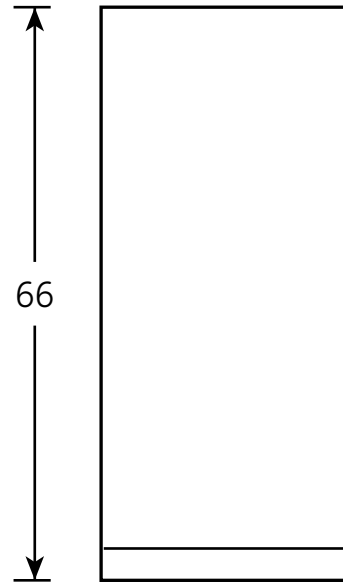


FUF17DHR

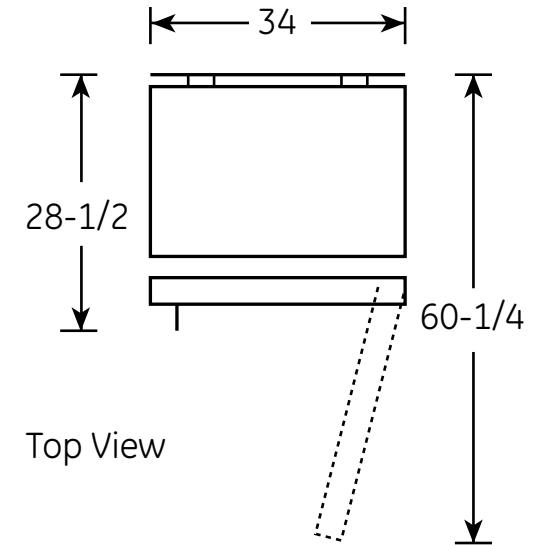
GE® 16.6 Cu. Ft. Frost-Free Upright Freezer

Dimensions and Installation Information (in inches)

Air Clearance	
Each side (in.)	3
Top (in.)	3
Back (in.)	3



Front View



Top View

For answers to your Monogram®, Cafe™ Series, Profile™ Series or GE® appliance questions, visit our website atgeappliances.com or call GE Answer Center® service, 800.626.2000.



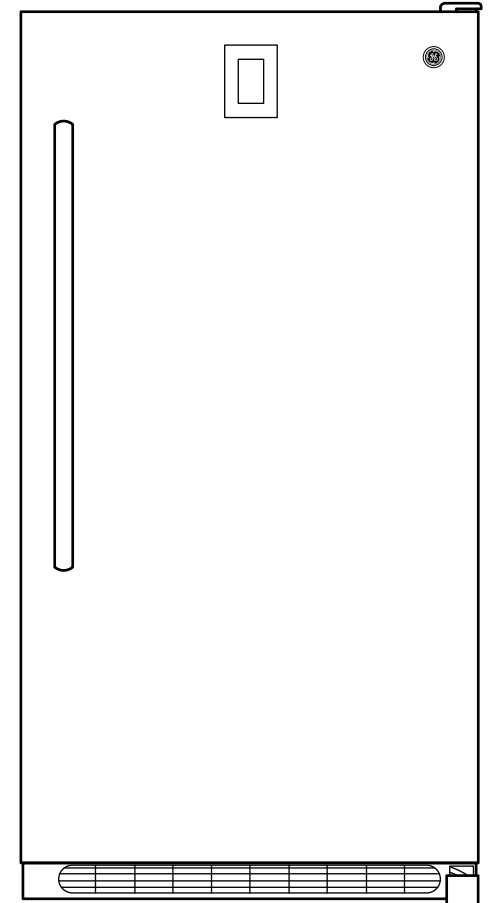
Specification Revised 9/14

FUF17DHR

GE® 16.6 Cu. Ft. Frost-Free Upright Freezer

Features and Benefits

- 16.6 cu. ft. capacity
- Frost free - Prevents frost build-up and means you never have to empty the contents to manually defrost
- LED interior lighting - Automatically illuminates when door is open
- Exterior electronic temperature control - Easy adjust the temperature and avoid releasing cold air by opening the door
- Audible temperature alarm and door ajar alarm freezer - Alerts you if the door is left open or if the temperature rises
- 4 cabinet shelves and 1 sliding bulk storage basket - Offers flexibility to organize and store favorite foods for quick, easy access
- 5 freezer door shelves - For quick access and easy selection
- Lock with key - Allows you to protect your valuable food items from unintentional entry
- High-gloss handle - Provides a polished appearance that can be cleaned with ease
- Model FUF17DHRWW – White



For answers to your Monogram®, Cafe™ Series, Profile™ Series or GE® appliance questions, visit our website at geappliances.com or call GE Answer Center® service, 800.626.2000.



Specification Revised 9/14