



Dryers

Safety Instructions 2-4

Operating Instructions

Controls..... 4-7

Quick Start5

Using the Dryer8

Care and Cleaning 9

Installation Instructions

Reversing the Door Swing.....10-13

Stacking the Washer/Dryer14-16

Troubleshooting Tips.....17-20

Consumer Support

Consumer Support..... 22

Warranty 21

Owner's Manual

GFDS175

GFDS170



Write the model and serial numbers here:

Model # _____

Serial # _____

They are on the label on the front of the dryer behind the door.




234D2270P001

49-90520 04-14 GE

IMPORTANT SAFETY INFORMATION.

READ ALL INSTRUCTIONS BEFORE USING.

 This is the safety alert symbol. This symbol alerts you to potential hazards that can kill you or hurt you and others. All safety messages will follow the safety alert symbol and the word "DANGER", "WARNING", or "CAUTION". These words are defined as:

 **DANGER**

Indicates a hazardous situation which, if not avoided, **will** result in death or serious injury.

 **WARNING**

Indicates a hazardous situation which, if not avoided, **could** result in death or serious injury.

 **CAUTION**

Indicates a hazardous situation which, if not avoided, **could** result in minor or moderate injury.

IMPORTANT SAFETY INSTRUCTIONS

 **WARNING**

To reduce the risk of fire, explosion, electric shock, or injury to persons when using your appliance, follow basic precautions, including the following:

- Read all instructions before using the appliance.
- DO NOT dry articles that have been previously cleaned in, washed in, soaked in or spotted with gasoline, dry-cleaning solvents, or other flammable or explosive substances, as they give off vapors that could ignite or explode.
- DO NOT allow children to play on or in this appliance. Close supervision of children is necessary when this appliance is used near children. Before the appliance is removed from service or discarded, remove the door to the drying compartment.
- DO NOT reach into the appliance if the drum is moving.
- DO NOT install or store this appliance where it will be exposed to the weather.
- DO NOT tamper with controls, repair or replace any part of this appliance or attempt any servicing unless specifically recommended in the user maintenance instructions or in published user repair instructions that you understand and have the skills to carry out.
- DO NOT use fabric softeners or products to eliminate static unless recommended by the manufacturer of the fabric softener or product.
- DO NOT use heat to dry articles containing foam rubber or similarly textured rubber-like materials.
- Clean lint screen before or after each load. DO NOT operate the dryer without the lint filter in place.
- Do not store combustible materials, gasoline or other flammable liquids near the dryer. Keep area around the exhaust opening and adjacent surrounding areas free from the accumulation of lint, dust and dirt. Keep dryer area clear and free from items that would obstruct the flow of combustion and ventilation air.
- The interior of the appliance and exhaust duct should be cleaned periodically by qualified service personnel.
- DO NOT place items exposed to cooking oils in your dryer. Items contaminated with cooking oils may contribute to a chemical reaction that could cause a load to catch fire.
- Keep the floor around your appliances clean and dry to reduce the possibility of slipping.
- Unplug the appliance or turn off the circuit breaker before servicing. Pressing the **Power** or **Start/Pause** button DOES NOT disconnect power.
- DO NOT operate this appliance if it is damaged, malfunctioning, partially disassembled, or has missing or broken parts, including a damaged cord or plug.
- DO NOT spray any type of aerosol into, on or near dryer at any time. Do not use any type of spray cleaner when cleaning dryer interior. Hazardous fumes or electrical shock could occur.
- See "Electrical Connection" located in the Installation Instructions for grounding instructions.

SAVE THESE INSTRUCTIONS

ADDITIONAL GAS DRYER WARNINGS

**WARNING**

For your safety, the information in this manual must be followed to minimize the risk of fire or explosion or to prevent damage, personal injury, or death.

- DO NOT store or use gasoline or other flammable vapors and liquids in the vicinity of this or any other appliance.
- WHAT TO DO IF YOU SMELL GAS:
 - DO NOT try to light any appliance.
 - DO NOT touch any electrical switch; DO NOT use any phone in your building.
 - Clear the room, building, or area of any occupants.
 - Immediately call your gas supplier from a neighbor's phone. Follow the gas supplier's instructions.
 - If you cannot reach your gas supplier, call the fire department.
- Installation and service must be performed by a qualified installer, service agency, or the gas supplier.

State of California Proposition 65 Warnings:

The California Safe Drinking Water and Toxic Enforcement Act requires the governor of California to publish a list of substances known to the state to cause cancer, birth defects or other reproductive harm and requires businesses to warn of potential exposure to such substances.

**WARNING**

This product contains one or more chemicals known to the State of California to cause cancer, birth defects or other reproductive harm.

Gas appliances can cause low-level exposure to some of these substances, including benzene, carbon monoxide, formaldehyde and soot, caused primarily by the incomplete combustion of natural gas or LP fuels. Exposure to these substances can be minimized by properly venting the dryer to the outdoors.

SAVE THESE INSTRUCTIONS

About the dryer control panel.

⚠️ WARNING!

To reduce the risk of fire, electric shock, or injury to persons, read the **IMPORTANT SAFETY INSTRUCTIONS** before operating this appliance.

⚠️ WARNING



Explosion Hazard

Keep flammable materials and vapors, such as gasoline, away from dryer.
DO NOT dry anything that has ever had anything flammable on it (even after washing).
 Failure to do so can result in death, explosion, or fire.

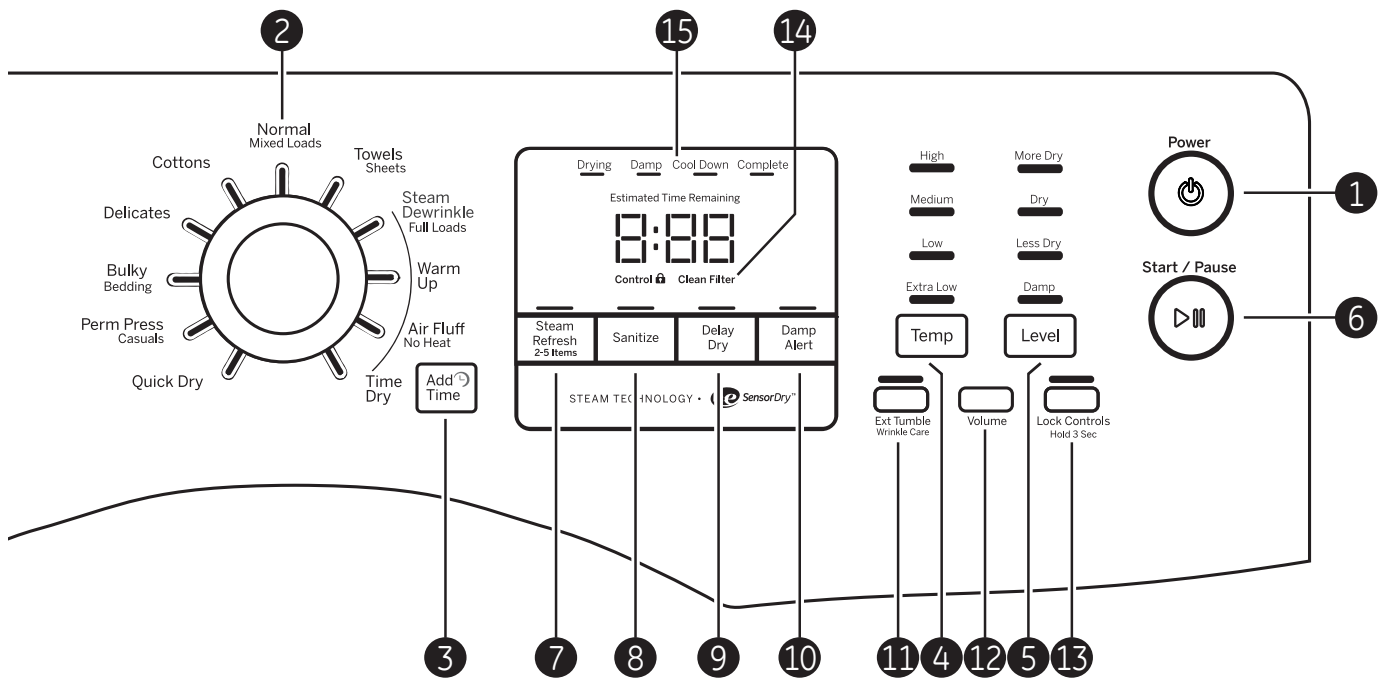
⚠️ WARNING



Fire Hazard

No washer can completely remove oil.
 Do not dry anything that has ever had any type of oil on it (including cooking oils).
 Items containing foam, rubber, or plastic must be dried on a clothesline or by using an air dry cycle.
 Failure to follow these instructions can result in death or fire.

Throughout this manual, features and appearance may vary from your model.



Control settings.

Quick Start

1 Press the **Power** button.

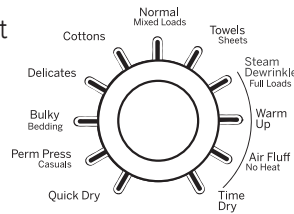
If the screen is dark, a press of the **Power** button will “wake up” the display.



3 Press the **Start/Pause** button.



2 Select a dry cycle. (Defaults are set for each cycle. These default settings can be changed. See **Control settings** for more information.)



1 Power

Press to “wake up” the display. If the display is active, press to turn the dryer off.

NOTE: Pressing **Power** does not disconnect the appliance from the power supply.

2 Dry Cycles

The dry cycle controls the length and tumble speed of the drying process. The chart below will help you match the dry setting with the loads.

Normal/Mixed Loads	For loads consisting of cottons and poly-blends.
Cottons	For cottons and most linens.
Delicates	For lingerie and special-care fabrics.
Bulky/Bedding	For large coats, bed spreads, mattress covers, sleeping bags, blankets, comforters, jackets, small rugs, and similar large and bulky items.
Perm Press/Casuals	Clothing worn for active sports exercise and some casual wear. Fabrics include new technology finishes and stretch fibers such as Spandex. Also for clothing labeled Easy Care or Perma Press: For wrinkle-free and permanent press items.
Quick Dry	For small loads that are needed in a hurry, such as sports or school uniforms. Can also be used if the previous cycle left some items damp, such as collars or waistbands.
Towels/Sheets	Use for towels OR sheets. It is not recommended to mix towels and sheets in the same load.
Steam Dewrinkle Full Loads	Provides 20 minutes of steam drying to assist with dewrinkling clothes. Ideal for loads left in dryer for an extended time.
Warm Up	Provides 10 minutes of warming time to warm up clothes.
Air Fluff/No Heat	Provides 10 minutes of tumbling time without heat.
Time Dry	Use to set your own dry time. Time Dry is also recommended for small loads. To use: 1. Turn dry cycle dial to Time Dry . 2. Increase the drying time by pressing the Add Time button. Note: This button only increases the time. When max time is reached, pressing the button again will reset the counter to the lowest setting. 3. Select the Temp . 4. Close the door. 5. Press Start/Pause .

Control settings.

3



Add Time

Press to add time to the **Steam Dewrinkle**, **Warm Up**, **Air Fluff** or **Time Dry** cycles in 10 minute increments.

4



Temp

You can change the temperature of your dry cycle.

High	For regular to heavy cottons.
Medium	For synthetics, blends and items labeled Permanent Press.
Low	For delicates, synthetics and items labeled Tumble Dry Low.
Extra Low	For lingerie and special-care fabrics.

5



Level

The sensor continuously monitors the amount of moisture in the load. When the moisture in your clothes reaches your selected dry level, the dryer will stop.

NOTE: Sensor dry **Level** only works with **Cottons**, **Normal**, **Perm Press**, **Delicates**, **Quick Dry**, **Bulky**, **Towels/Sheets** and **Steam Dewrinkle** cycles.

More Dry	Use for heavy or mixed type of fabrics.
Dry	Use for normal dryness level suitable for most loads. This is the preferred cycle for energy saving.
Less Dry	Use for lighter fabric (ideal for ironing).
Damp	For leaving items partially damp.

6



Start/Pause

Press to start a dry cycle. If the dryer is running, press it once and it will pause the dryer. Press it again to resume the dry cycle.

7



Steam Refresh Cycle

For slightly wrinkled dry garments. Significantly reduces wrinkles on up to 5 garments. After the **Steam Refresh** Cycle, the unit will beep and display "0:00." If the unit is not turned off or if the door is not opened, the dryer will continue to tumble for 30 minutes. At the end of 30 minutes, it will display "0:00" and the cycle will be complete.

NOTE: A single extremely light fabric item may need to have an additional item included to achieve optimum results.

8






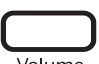


Sanitize

This option reduces certain types of bacteria by 99.9%, including: *Staphylococcus aureus*, *Pseudomonas aeruginosa* and *Klebsiella pneumoniae**. The anti-bacterial process occurs when high heat is used during a portion of the drying cycle.

NOTE: Do not use this cycle on delicate fabrics. *The **Sanitize** Cycle is Certified by NSF International to NSF Protocol P154 Sanitization Performance of Residential Clothes Dryers.



NSF Protocol P154
Sanitization Performance of
Residential Clothes Dryers

-
- 9**  **Delay Dry**
 Use to delay the start of your dryer.
 1. Choose your dry cycle and any options.
 2. Press **Delay Dry**. You can change the delay time in 1 hour increments up to 24 hours, using the **Delay Dry** button.
 3. Press the **Start/Pause** button to start the countdown.
- NOTE:** If the door is opened while the dryer is in **Delay Dry**, the countdown time will not restart unless the door is closed and **Start/Pause** button has been pressed again.
-
- 10**  **Damp Alert**
 This option causes the dryer to beep when clothes have dried to a damp level. Remove items that you wish to hang dry. The **Damp Alert** will only beep when this option is selected, and the dryer will continue to dry.
- Removing clothes and hanging them when they are damp can reduce the need to iron some items.
-
- 11**  **Ext Tumble/Wrinkle Care**
 Minimizes wrinkles by adding approximately 60 minutes of no-heat tumbling after clothes are dry. The beeper will sound every five minutes as a reminder to remove the clothes.
- The estimated time remaining display will show "0:00".
 The extended tumble time does not get added to the cycle time on the display.
-
- 12**  **Volume**
 Alerts you that the cycle is complete. The beeper will continue to sound every minute for the next 5 minutes, until the clothes have been removed. The clothes should be removed when the beeper goes off so wrinkles don't set in.
- Press **Volume** to select low, medium or high volume, or to turn the beeper off.
 To turn on or off the sounds the buttons make when pressed, press and hold the **Volume** button for 3 seconds.
-
- 13**  **Lock Control**
 You can lock the controls to prevent any selections from being made. Or you can lock or unlock the controls after you have started a cycle.
- Children cannot accidentally start the dryer by touching buttons with this option selected.
- To lock the dryer, press and hold the **Lock Control** button for 3 seconds.
- To unlock the dryer controls, press and hold the **Lock Control** button for 3 seconds.
- A sound is made to indicate the lock/unlock status.
- The indicator light above the button will illuminate when the controls are locked.
- NOTE:** The **Power** button can still be used when the machine is locked.
-
- 14** **Clean Filter** **Clean Filter Message**
 This message represents only a reminder and does **not** always appear when the filter needs cleaning. The filter should be cleaned after every drying cycle is complete.
- This message will disappear after the **Start/Pause** button is pressed. Even though you may have already cleaned the filter (before or after the **Power** button has been pressed), the "**Clean Filter**" message will still be displayed until the **Start/Pause** button is activated.
-
- 15**  **Display**
 Displays the approximate time remaining until the end of the cycle.
- As the cycle begins, you will see an initial approximate total cycle time in the display.
- Then lights will "race" in the display. This means the dryer is continuously monitoring the amount of moisture in the load. The lights will continue until the dryer senses a low level of moisture in the load. At that point, the dryer will calculate and display the approximate time remaining.

Using the dryer.















Always follow the fabric manufacturer's care label when laundering.



Fabric Care Labels

Below are fabric care label "symbols" that affect the clothing you will be laundering.

Dry Labels

Tumble dry	 Dry	 Normal	 Permanent Press/ wrinkle resistant	 Gentle/ delicate	 Do not tumble dry	 Do not dry (used with do not wash)
Heat setting	 High	 Medium	 Low	 No heat/air		
Special instructions	 Line dry/ hang to dry	 Drip dry	 Dry flat	 In the shade		



Sorting and Loading Hints

As a general rule, if clothes are sorted properly for the washer, they are sorted properly for the dryer. Try also to sort items according to size. For example, do not dry a sheet with socks or other small items.

Do not add fabric softener sheets once the load has become warm. They may cause fabric softener stains. Bounce® Fabric Conditioner Dryer Sheets have been approved for use in this dryer when used in accordance with the manufacturer's instructions.

Do not overload. This wastes energy and causes wrinkling.

The Exterior: Wipe or dust any spills or washing compounds with a damp cloth. Dryer control panel and finishes may be damaged by some laundry pretreatment soil and stain remover products. Apply these products away from the dryer. The fabric may then be washed and dried normally. Damage to your dryer caused by these products is not covered by your warranty.

The Lint Filter: Clean the lint filter before each use.

Pull out the lint filter. Moisten your fingers and remove the captured lint. Once clean, slide the filter back into position. Have a qualified technician vacuum the lint from the dryer once a year.

NEVER OPERATE THE DRYER WITHOUT ITS FILTER IN PLACE.

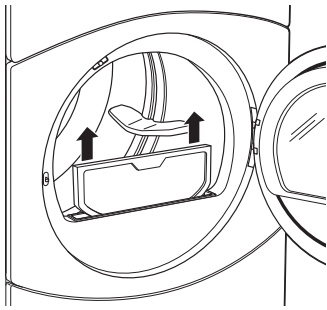
Stainless Steel: To clean stainless steel surfaces use a damp cloth with a mild, non-abrasive cleaner suitable for stainless steel surfaces. Remove the cleaner residue and then dry with a clean cloth.

The stainless steel used to make the dryer drum provides the highest reliability available in a GE dryer. If the dryer drum should be scratched or dented during normal use, the drum will not rust or corrode. These surface blemishes will not affect the function or durability of the drum.

Dryer Interior and Duct: The interior of the appliance and exhaust duct should be cleaned once a year by qualified service personnel.

The Exhaust Duct: Inspect and clean the exhaust ducting at least once a year to prevent clogging. A partially clogged exhaust can lengthen the drying time.

The Exhaust Hood: Check with a mirror that the inside flaps of the hood move freely when operating. Make sure that there is no wildlife (birds, insects, etc.) nesting inside the duct or hood.

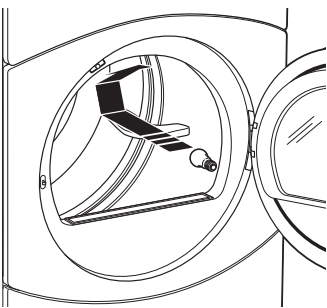


Drum Lamp

The drum lamp comes on automatically when the door is opened.

Before replacing the light bulb, be sure to unplug the dryer power cord or disconnect the dryer at the household distribution panel by removing the fuse or switching off the circuit breaker. Reach above dryer opening from inside the drum. Remove the bulb and replace with the same size bulb.

Order replacement bulb **WE4M305** on-line at **GEApplianceParts.com**, by phone at **800.626.2002** during normal business hours, or purchase appliance bulb **7C7** from your local retailer.



Installation Instructions

REVERSING THE DOOR SWING (if desired)

IMPORTANT NOTES

- Read the instructions all the way through before starting.
- Handle parts carefully to avoid scratching paint.
- Set screws down by their related parts to avoid using them in the wrong places.
- Provide a non-scratching work surface for the doors.
- Normal completion time to reverse the door swing is 30–60 minutes.

IMPORTANT: Once you begin, do not move the cabinet until door-swing reversal is completed.

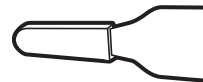
These instructions are for changing the hinges from the right side to the left side—if you ever want to switch them back to the right side, follow these same instructions and reverse all references to the left and right.

TOOLS YOU WILL NEED

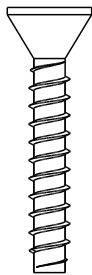
- Phillips-head screwdriver



- Putty Knife or Thin-Blade Screwdriver



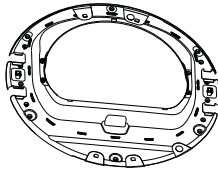
DOOR PARTS



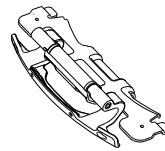
6 - Tapping Screws



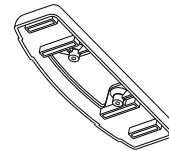
Outer Ring



Inner Door



Hinge



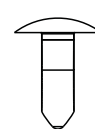
Hinge Cover



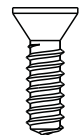
4 - Hinge Screws



8 - Machine Screws



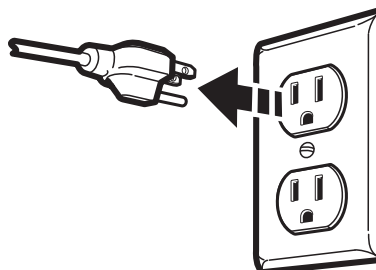
4 - Beauty Buttons



2 - Strike Bracket Screws

BEFORE YOU START

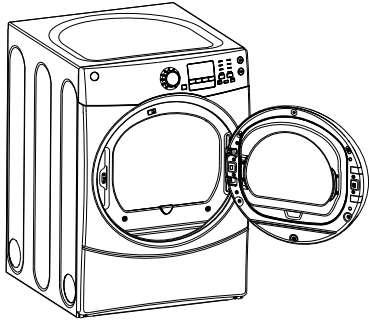
Unplug the dryer from its electrical outlet.



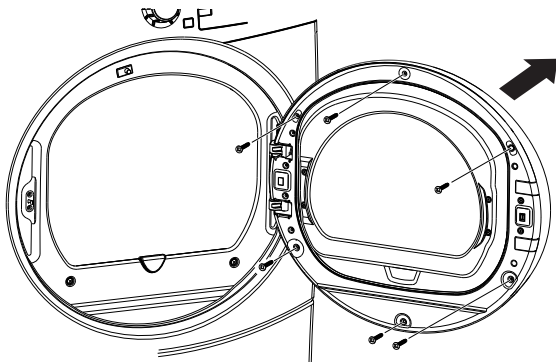
Installation Instructions

1 REMOVE THE DOOR ASSEMBLY

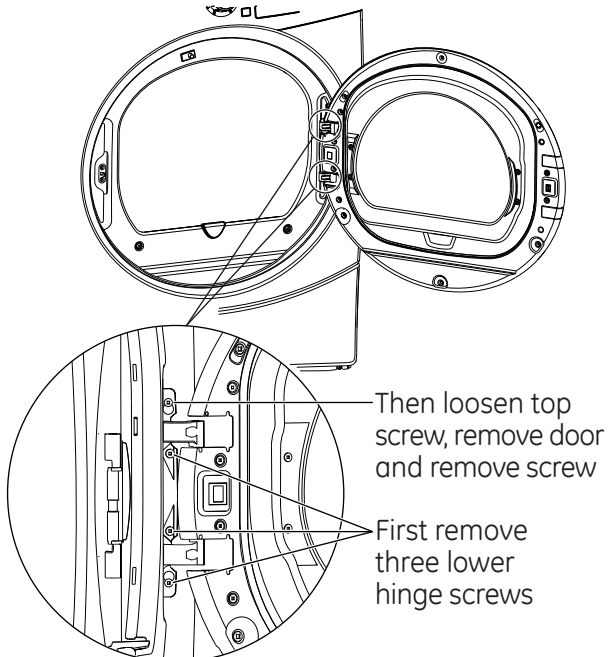
- A. Open the door to approximately 130 degrees.



- B. Remove the 6 tapping screws located around the perimeter of the door outlining the gasket. Remove the outer ring.



- C. Remove 3 hinge screws starting at the bottom and move up. Make sure the door is supported while removing the screws.

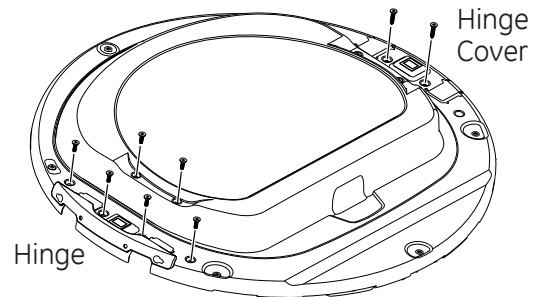


- D. Loosen the top screw as shown. Unhook the door by lifting and pulling. Remove the top screw.

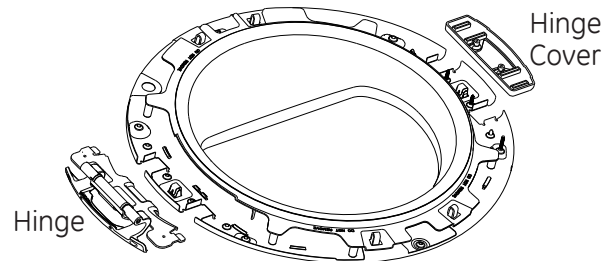
2 REMOVE HINGE AND COVER

IMPORTANT: Note the location of the hinge (left or right) before removing.

- A. Remove the 6 machine screws from the hinge and the 2 machine screws from the hinge cover.

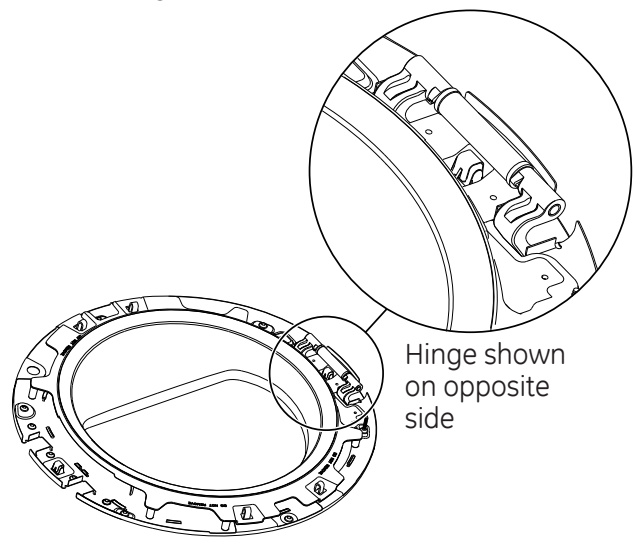


- B. With the screws removed, turn the door over and separate the outer door assembly and hinge cover of the door from the door frame and set aside.



3 REINSTALL HINGE ASSEMBLY

- A. Place the hinge in the opposite side of the door as shown. Push the hinge in place until the hinge holes align with the door holes.

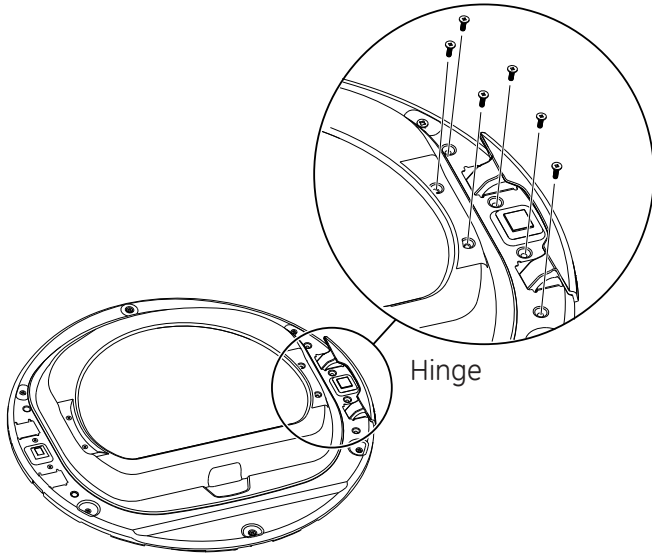


Installation Instructions

REVERSING THE DOOR SWING (if desired)

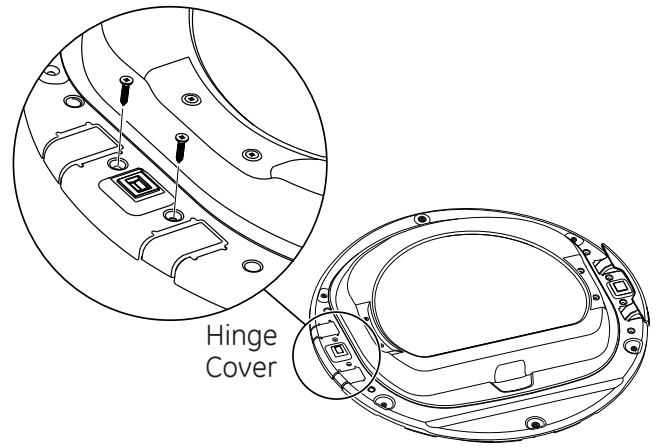
3 REINSTALL HINGE ASSEMBLY (cont.)

- B. Hold the hinge in place and turn the door over. Install the hinge using the 6 machine screws removed earlier.



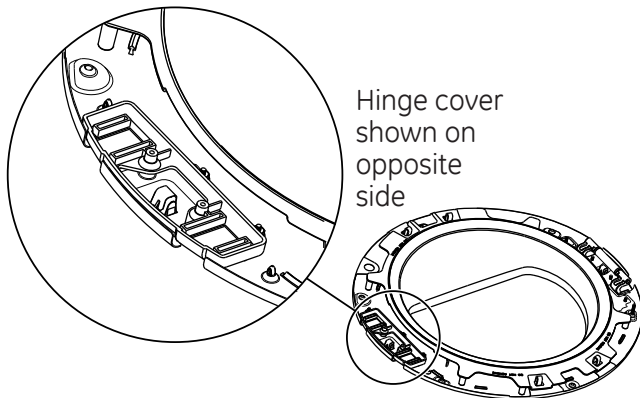
4 REINSTALL HINGE COVER (cont.)

- B. Hold the hinge cover in place and turn the door over. Install the hinge cover using the 2 machine screws removed earlier.



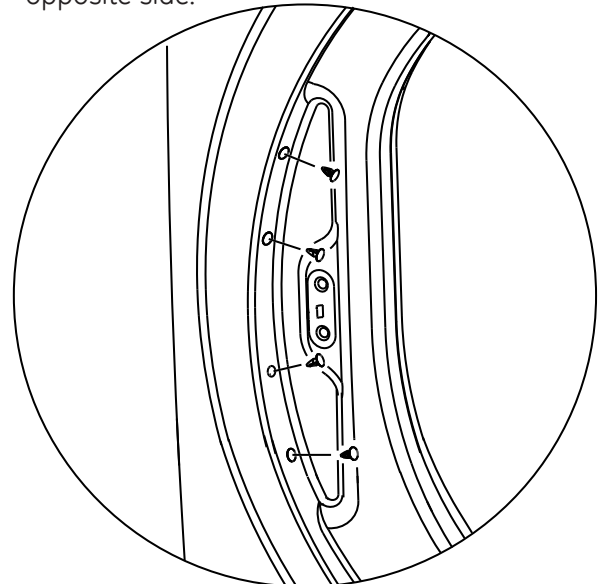
4 REINSTALL HINGE COVER

- A. Turn the door over and place the hinge cover in the opposite side of the door as shown. Align the hinge cover holes with the holes in the door.



5 MOVE STRIKE BRACKET

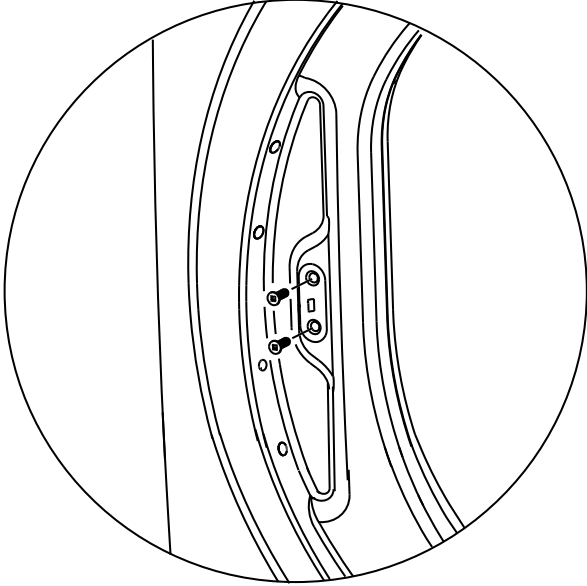
- A. Using a putty knife or any other flat tool, remove the 4 beauty buttons located on the dryer where the door will be installed and install them on the opposite side.



Installation Instructions

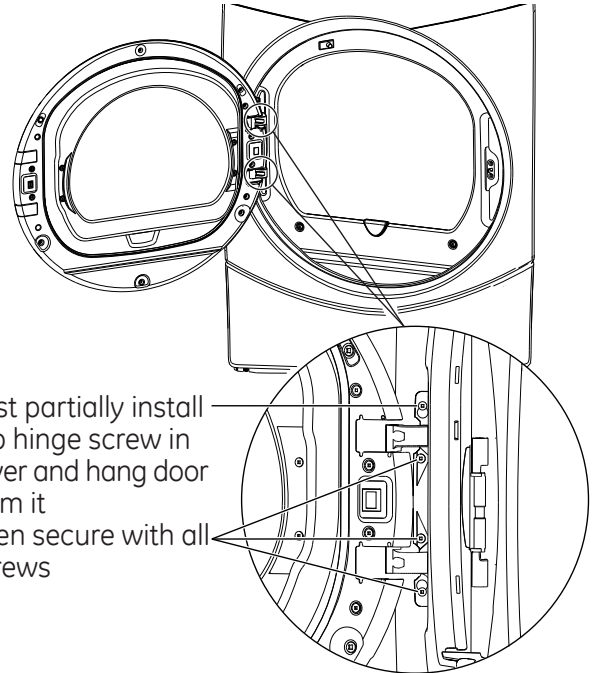
5 MOVE STRIKE BRACKET (cont.)

- B. Switch the strike bracket and its cover to the opposite side by removing the screws. Reinstall both on the opposite side.



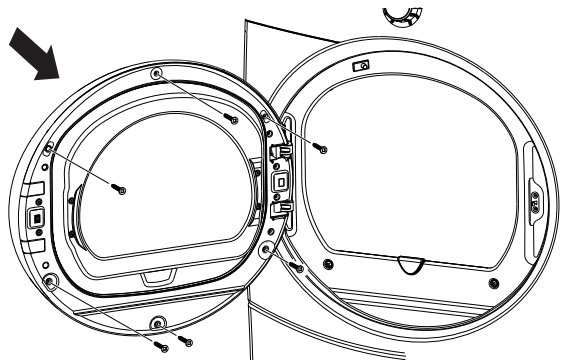
6 REINSTALL DOOR ASSEMBLY

- A. Install the door on the dryer. To ease this step, the hinge has keyholes that allow a partially fastened screw to be used as a hook. Partially fasten a screw to the uppermost screw hole. Hook the door on the partially fastened screw. Fasten the hinge by installing the other 3 screws and tightening the partially fastened screw above.



First partially install top hinge screw in dryer and hang door from it
Then secure with all screws

- B. Align the outer ring in the door and fasten the 6 tapping screws located around the perimeter of the door outlining the gasket.



Installation Instructions

STACKING THE WASHER AND DRYER (if desired)

BEFORE YOU BEGIN

Read these instructions completely and carefully.

- **IMPORTANT** – Save these instructions for local electrical inspector's use.
- **IMPORTANT** – Observe all governing codes and ordinances.
- **Note to Installer** – Be sure to leave these instructions with the Consumer.
- **Note to Consumer** – Keep these instructions for future reference.
- Service **must** be performed by a qualified installer.
- Proper installation is the responsibility of the installer.

- Disconnect power before installing. Failure to do so could result in serious injury or death.

WARNING - Excessive Weight Hazard

Use two or more people to install dryer.
Failure to do so may result in back or other injury.

- Avoid Tipping and Rupture of Utility Services. Dryer must be securely attached to the washer. DO NOT place the washer on top of the dryer. Failure to do so could result in personal injury/ death or property damage.
- Mobile Home or Manufactured Home Installation – Stacking of a gas dryer is not permitted in a mobile home or manufactured home.

MINIMUM CLEARANCE OTHER THAN ALCOVE OR CLOSET INSTALLATION

Minimum clearance to combustible surfaces and for air opening are: 0" both sides, 3" front/rear and 1" top. Consideration must be given to provide adequate clearance for installation and service.

REQUIREMENTS FOR ALCOVE OR CLOSET INSTALLATION

- Your dryer is approved for installation in an alcove or closet, as stated on a label on the dryer back.
- The dryer **MUST** be vented to the outdoors. See the EXHAUSTING THE DRYER section.
- Minimum clearance between dryer cabinet and adjacent walls or other surfaces is:
 - 0" either side
 - 3" front and rear
 - 12" top
- Minimum vertical space from floor to overhead shelves, cabinets, ceilings, etc., is 52".
- Closet doors must be louvered or otherwise ventilated and have at least 60 square inches of open area equally distributed. If the closet contains both a washer and a dryer, doors must contain a minimum of 120 square inches of open area equally distributed.
- The closet should be vented to the outdoors to prevent gas pocketing in case of gas in the supply line.
- No other fuel-burning appliance shall be installed in the same closet with the dryer (gas models only).

NOTE: WHEN THE EXHAUST DUCT IS LOCATED AT THE REAR OF THE DRYER, MINIMUM CLEARANCE FROM THE WALL IS 5.5 INCHES.

GE STACK KIT:

Order on-line at GEApplianceParts.com, 24 hours a day or by phone at **800.626.2002** during normal business hours.

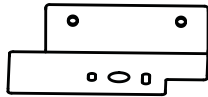
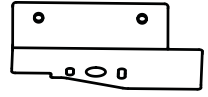



Part Number
GEFLSTACK

Accessory
Complete Stack Kit



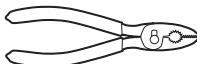


Installation Instructions

STACKING THE WASHER AND DRYER (if desired) (cont.)

STACKING KIT GEFLSTACK CONTENTS (OPTIONAL ACCESSORY)

-  Left hand bracket
-  Right hand bracket
-  4 rubber pads
-  4 #12 x 1" screws
-  4 #8 x 1/2" screws

TOOLS YOU WILL NEED

-  Phillips screwdriver
-  Open-ended wrench
-  Pliers
-  Gloves
-  Level

INSTALLATION PREPARATION

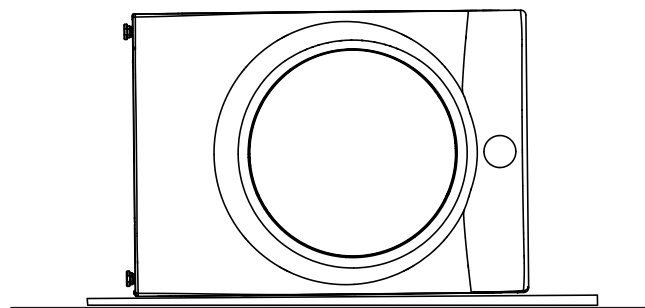
Remove the packaging.

Flatten the product carton to use as a pad to lay the dryer down on its side. Continue using the carton to protect the finished floor in front of the installation location.

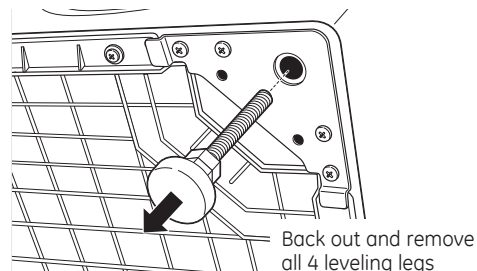
INSTALLING THE STACK BRACKET KIT

1 REMOVE THE DRYER LEVELING LEGS

- A. Carefully lay the dryer on its side. Use the packing material so you don't scratch the finish on the dryer.

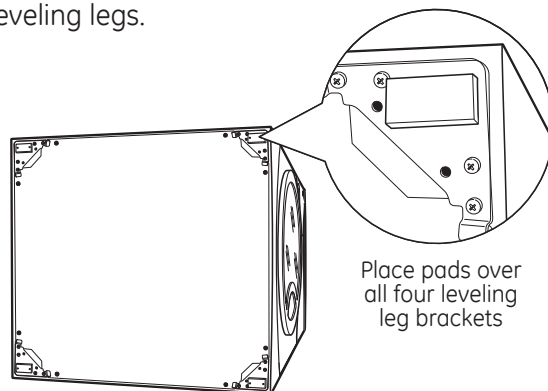


- B. Use an open-end wrench or pliers to remove the dryer leveling legs.



2 INSTALL RUBBER PADS TO DRYER BASE

Locate the 4 rubber pads in the parts package. Remove the adhesive backing and firmly place over each bracket where you removed the leveling legs.



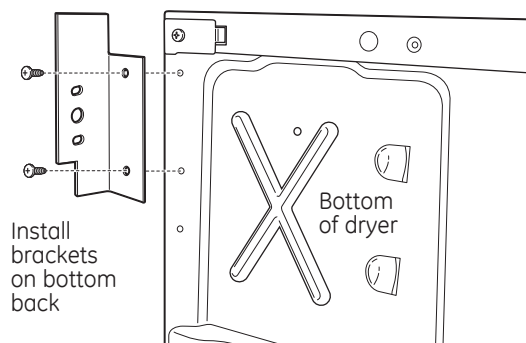
Installation Instructions

STACKING THE WASHER AND DRYER (if desired)

3 INSTALL BRACKET TO DRYER

- A. Align the holes in the left bracket with the holes in the bottom left corner of the dryer. Use a Phillips screwdriver to install the 2 #12 x 1" tapping screws.
- B. Repeat the above step with the right bracket on the bottom right corner of the dryer.
- C. Set the dryer upright.

NOTE: Make sure to set the dryer on a piece of packing material so the brackets that are attached to the bottom of the dryer do not damage the floor.



4 PREPARE WASHER AND DRYER

- A. Place the washer in the approximate location.
- B. Make sure the washer is level. Refer to washer Installation Instructions for details.
- C. Reverse dryer door swing if desired. See dryer Installation Instructions for details.
- D. Place the washer in the approximate location.

NOTE: The washer door swing is not reversible.

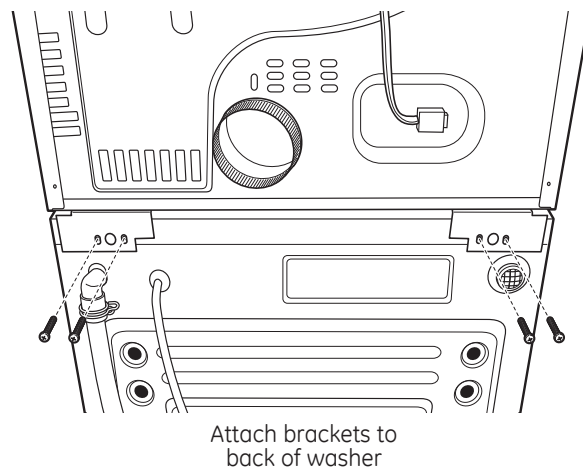
5 INSTALL DRYER AND BRACKET ON WASHER

- A. Lift the dryer on top of the washer. Be careful not to scratch the top of the washer with the brackets. Protect the washer control panel with cardboard or other protection. Be sure to lift the dryer high enough to clear the washer control panel.

More than two people are recommended to lift the dryer into position because of its weight and size. Failure to do so could result in personal injury or death.

5 INSTALL DRYER AND BRACKET ON WASHER (cont.)

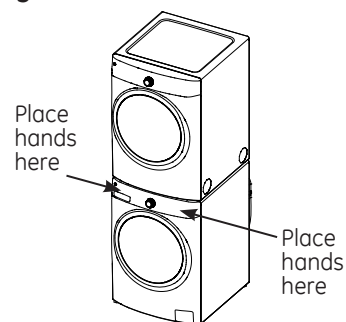
- B. Align the holes in the bracket with the holes in the back of the washer. Using a Phillips screwdriver, attach the 2 #8 x 1/2" tapping screws. Repeat on both sides of the washer.



6 FINALIZE THE INSTALLATION

- A. Refer to the washer Installation Instructions to complete the washer installation.
- B. Refer to the dryer Installation Instructions to complete the dryer installation.
- C. Carefully slide or walk the stacked washer and dryer into place. Use felt pads or other sliding device to assist moving and to protect flooring.

Do not push on the dryer once installed to top of the washer. Pushing on the dryer may result in pinched fingers.



Before you call for service...



Troubleshooting Tips

Save time and money! Review the charts on the following pages, or visit GEAppliances.com. You may not need to call for service.

PROBLEM	Possible Causes	What To Do
Dryer shakes or makes noise	Some shaking/noise is normal. Dryer may be sitting unevenly	<ul style="list-style-type: none"> Move dryer to an even floor space, or adjust leveling legs as necessary until even.
Clothes take too long to dry	Improper or obstructed ducting	<ul style="list-style-type: none"> Check the Installation Instructions to make sure the dryer venting is correct. Make sure ducting is clean, free of kinks and unobstructed. Check to see if outside wall damper operates easily.
	Improper sorting	<ul style="list-style-type: none"> Separate heavy items from lightweight items (generally, a well-sorted washer load is a well-sorted dryer load).
	Large loads of heavy fabrics (like beach towels)	<ul style="list-style-type: none"> Large, heavy fabrics contain more moisture and take longer to dry. Separate large, heavy fabrics into smaller loads to speed drying time.
	Controls improperly set	<ul style="list-style-type: none"> Match control settings to the load you are drying.
	Lint filter is full	<ul style="list-style-type: none"> Clean lint filter before every load.
	Blown fuses or tripped circuit breaker	<ul style="list-style-type: none"> Replace fuses or reset circuit breakers. Since most dryers use 2 fuses/breakers, make sure both are operating.
	Overloading/combining loads	<ul style="list-style-type: none"> Do not put more than one washer load in the dryer at a time.
	Underloading	<ul style="list-style-type: none"> If you are drying only one or two items, add a few items to ensure proper tumbling.
The Dry dryness level was chosen but load is still damp	Load consists of a mixture of heavy and light fabrics	<ul style="list-style-type: none"> When combining heavy and light fabrics in a load, choose More Dry.
	Exhaust system is blocked	<ul style="list-style-type: none"> Inspect and clean exhaust system.
Control buttons not responding	Controls accidentally put in service mode	<ul style="list-style-type: none"> Press Start/Pause.
	Controls accidentally put in lock mode	<ul style="list-style-type: none"> Hold the Lock Control button for 3 seconds to unlock the dryer.
	Controls performed an incorrect operation	<ul style="list-style-type: none"> Reset the in-house breaker.
Dryer doesn't start	Control panel is "asleep"	<ul style="list-style-type: none"> This is normal. Press Power to activate the control panel.
	Dryer is unplugged	<ul style="list-style-type: none"> Make sure the dryer plug is pushed completely into the outlet.
	Fuse is blown/circuit breaker is tripped	<ul style="list-style-type: none"> Check the building's fuse/circuit breaker box and replace fuse or reset breaker. NOTE: Electric dryers use two fuses or breakers.
	Dryer was accidentally paused when starting Delay Dry	<ul style="list-style-type: none"> If the light on the Start/Pause button is flashing, the dryer is paused. Press Start/Pause to restart the countdown.
No numbers displayed during cycle, only lights	Dryer is continuously monitoring the amount of moisture in the clothes	<ul style="list-style-type: none"> This is normal. When the dryer senses a low level of moisture in the load, the dryer will display the dry time remaining.

Before you call for service...

PROBLEM	Possible Causes	What To Do
<i>Time Remaining jumped to a lower number</i>	The estimated time may change when a smaller load than usual is drying	<ul style="list-style-type: none"> This is normal.
<i>Cannot make a selection and the dryer beeps twice</i>	The dryness Level, Temp or option that you are trying to select is incompatible with the chosen dry cycle	<ul style="list-style-type: none"> This is normal.
<i>Dryer is running but END is displayed in Time Remaining</i>	The Ext Tumble/Wrinkle Care option was chosen	<ul style="list-style-type: none"> This is normal. During extended tumbling, the time remaining is not displayed. The extended tumbling option lasts approximately 60 minutes.
<i>Clean Lint Filter (message)</i>	Power button was activated	<ul style="list-style-type: none"> Press Start/Pause to begin a dry cycle and the message will disappear.
<i>Dryer doesn't heat</i>	Fuse is blown/circuit breaker is tripped; the dryer may tumble but not heat	<ul style="list-style-type: none"> Check the building's fuse/circuit breaker box and replace both fuses or reset both breakers. Your dryer may tumble if only one fuse is blown or one breaker tripped.
	Gas service is off (gas models only)	<ul style="list-style-type: none"> Make sure gas shutoff at dryer and main shutoff are fully open.
	LP gas supply tank is empty or there has been a utility interruption of natural gas (gas models only)	<ul style="list-style-type: none"> Refill or replace tank. Dryer should heat when utility service is restored.
<i>Inconsistent drying times</i>	Type of heat	<ul style="list-style-type: none"> Drying time will vary according to the type of heat used. If you recently changed from an electric to a gas (natural or LP) dryer, or vice versa, the drying time could be different.
	Type of load and drying conditions	<ul style="list-style-type: none"> The load size, types of fabric, wetness of clothes and the length and condition of the exhaust system will affect drying times.
<i>Clothes are still wet and dryer shut off after a short time</i>	The door was opened mid-cycle. The load was then removed from the dryer and a new load put in without selecting a new cycle	<ul style="list-style-type: none"> A dry cycle must be reselected each time a new load is put in.
	Small load	<ul style="list-style-type: none"> When drying 3 items or less, choose Quick Dry or Time Dry.
	Load was already dry except for collars and waistbands	<ul style="list-style-type: none"> Choose Quick Dry or Time Dry to dry damp collars and waistbands. In the future, when drying a load with collars and waistbands, choose More Dry.
	Dryer is not level	<ul style="list-style-type: none"> Move dryer to an even floor space or adjust leveling legs as necessary until even.
<i>Clothes are wrinkled</i>	Overdrying	<ul style="list-style-type: none"> Select a shorter drying time. Remove items while they still hold a slight amount of moisture. Select a Less Dry or Damp setting.
	Letting items sit in dryer after cycle ends	<ul style="list-style-type: none"> Remove items when cycle ends and fold or hang immediately, or use the Ext Tumble/Wrinkle Care option.
	Overloading	<ul style="list-style-type: none"> Separate large loads into smaller ones.

PROBLEM	Possible Causes	What To Do
<i>Clothes shrink</i>	Some fabrics will naturally shrink when washed. Others can be safely washed, but will shrink in the dryer.	<ul style="list-style-type: none"> To avoid shrinkage, follow garment care labels exactly. Some items may be pressed back into shape after drying. If you are concerned about shrinkage in a particular item, do not machine wash or tumble dry it.
<i>Greasy spots on clothes</i>	Improper use of fabric softener	<ul style="list-style-type: none"> Follow directions on fabric softener package.
	Drying dirty items with clean ones	<ul style="list-style-type: none"> Use your dryer to dry only clean items. Dirty items can stain clean items and the dryer.
	Clothes were not completely clean	<ul style="list-style-type: none"> Sometimes stains which cannot be seen when the clothes are wet appear after drying. Use proper washing procedures before drying.
<i>Lint on clothes</i>	Lint filter is full	<ul style="list-style-type: none"> Clean lint screen before each load.
	Improper sorting	<ul style="list-style-type: none"> Sort lint producers (like chenille) from lint collectors (like corduroy).
	Static electricity can attract lint	<ul style="list-style-type: none"> See suggestions in this section under Static occurs.
	Overloading	<ul style="list-style-type: none"> Separate large loads into smaller ones.
	Paper, tissue, etc., left in pockets	<ul style="list-style-type: none"> Empty all pockets before laundering clothes.
<i>Static occurs</i>	No fabric softener was used	<ul style="list-style-type: none"> Try a fabric softener. Bounce® Fabric Conditioner Dryer Sheets have been approved for use in all GE Dryers when used in accordance with the manufacturer's instructions.
	Overdrying	<ul style="list-style-type: none"> Try a fabric softener. Adjust setting to Less Dry or Damp.
	Synthetics, permanent press and blends can cause static	<ul style="list-style-type: none"> Try a fabric softener.
<i>Collars and waistbands still wet at end of cycle</i>	The dryness monitor senses that the body of the clothes is dry	<ul style="list-style-type: none"> Choose Quick Dry or Time Dry to dry damp collars and waistbands. In the future, when drying a load with collars and waistbands, choose More Dry.
<i>Slight variation in metallic color</i>	This is normal	<ul style="list-style-type: none"> Due to the metallic properties of paint used for this unique product, slight variations of color may occur due to viewing angles and lighting conditions.
<i>Door is too foggy to see clothes during a steam cycle</i>	Steam condenses on inner door	<ul style="list-style-type: none"> This is normal.
<i>Water seen on inside of door and top of lint filter when opening door after steam cycle</i>	Steam condenses on these surfaces	<ul style="list-style-type: none"> This is normal.
<i>Small areas on clothes are damp after steam cycle</i>	Steam condenses on inner drum	<ul style="list-style-type: none"> If using the Steam Dewrinkle cycle, manually reduce the cycle time. If using the Steam Refresh cycle, add more garments to the load.

Before you call for service...

PROBLEM	Possible Causes	What To Do
<i>Small amount of water on floor in front of dryer</i>	Inadequate load size for steam cycle selected, excess steam condenses inside cabinet and leaks out	<ul style="list-style-type: none"> • If using the Steam Dewrinkle cycle, manually reduce the cycle time. If using the Steam Refresh cycle, add more garments to the load.
<i>Water on floor in back of dryer</i>	Loose water hose connection to valve	<ul style="list-style-type: none"> • Tighten connection.
	Hose missing rubber washer at connection with valve	<ul style="list-style-type: none"> • Install rubber washer provided with hose.
<i>Dryer makes water noises</i>	Water valve is open filling steam generator	<ul style="list-style-type: none"> • This is normal.
	Steam generator is dispensing steam into drum	<ul style="list-style-type: none"> • This is normal.
<i>Water drips from door when opened after a Steam Cycle</i>	Steam condenses on inner door	<ul style="list-style-type: none"> • This is normal.
<i>Cannot see steam at beginning of cycle</i>	Steam released at different times in the cycle	<ul style="list-style-type: none"> • This is normal.
<i>Cannot see steam at any time during cycle</i>	The steam nozzle might be clogged with debris from your water supply	<ul style="list-style-type: none"> • Call 800.GE.CARES to order nozzle replacement kit WE25M71 or to request a technician to replace this for you.
<i>Garments still wrinkled after steam cycle</i>	Too many garments	<ul style="list-style-type: none"> • Load fewer garments; manually increase time.
<i>Dryer continues to tumble after display says Complete</i>	Ext Tumble/Wrinkle Care was selected	<ul style="list-style-type: none"> • Ensure Ext Tumble/Wrinkle Care option is not selected. For the Steam Refresh cycle, Ext Tumble/Wrinkle Care will automatically be turned on and cannot be turned off.

GE Dryer Warranty.



All warranty service provided by our Factory Service Centers, or an authorized Customer Care® technician. To schedule service, on-line, visit us at GEAppliances.com, or call 800.GE.CARES (800.432.2737).

Please have serial number and model number available when calling for service.

Staple your receipt here. Proof of the original purchase date is needed to obtain service under the warranty.

For The Period Of:	We Will Replace:
One Year From the date of the original purchase	Any part of the dryer which fails due to a defect in materials or workmanship. During this limited one-year warranty , GE will also provide, free of charge , all labor and related service costs to replace the defective part.

What Is Not Covered:

- Service trips to your home to teach you how to use the product.
- Improper installation, delivery or maintenance.
- Failure of the product if it is abused, misused or used for other than the intended purpose or used commercially.
- Replacement of the light bulb after its expected useful life.
- Replacement of house fuses or resetting of circuit breakers.
- Damage to the product caused by accident, fire, floods or acts of God.
- Incidental or consequential damage caused by possible defects with this appliance.
- Damage caused after delivery.
- Product not accessible to provide required service.
- Defects or damage due to operation in freezing temperatures.
- Products which are not defective or broken, or which are working as described in the Owner's Manual.

EXCLUSION OF IMPLIED WARRANTIES—Your sole and exclusive remedy is product repair as provided in this Limited Warranty. Any implied warranties, including the implied warranties of merchantability or fitness for a particular purpose, are limited to one year or the shortest period allowed by law.

This warranty is extended to the original purchaser and any succeeding owner for products purchased for home use within the USA. If the product is located in an area where service by a GE Authorized Servicer is not available, you may be responsible for a trip charge or you may be required to bring the product to an Authorized GE Service location for service. In Alaska, the warranty excludes the cost of shipping or service calls to your home.

Some states do not allow the exclusion or limitation of incidental or consequential damages. This warranty gives you specific legal rights, and you may also have other rights which vary from state to state. To know what your legal rights are, consult your local or state consumer affairs office or your state's Attorney General.

Warrantor: General Electric Company. Louisville, KY 40225

Consumer Support.



GE Appliances Website

GEAppliances.com

Have a question or need assistance with your appliance? Try the GE Appliances Website, any day of the year! For greater convenience and faster service, you can now download Owner's Manuals, order parts or even schedule service on-line.



Schedule Service

GEAppliances.com

Expert GE repair service is only one step away from your door. Get on-line and schedule your service at your convenience any day of the year! Or call 800.GE.CARES (800.432.2737) during normal business hours.



Real Life Design Studio

GEAppliances.com

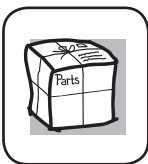
GE supports the Universal Design concept—products, services and environments that can be used by people of all ages, sizes and capabilities. We recognize the need to design for a wide range of physical and mental abilities and impairments. For details of GE's Universal Design applications, including kitchen design ideas for people with disabilities, check out our Website today. For the hearing impaired, please call 800.TDD.GEAC (800.833.4322).



Extended Warranties

GEAppliances.com

Purchase a GE extended warranty and learn about special discounts that are available while your warranty is still in effect. You can purchase it on-line anytime, or call 800.626.2224 during normal business hours. GE Consumer Home Services will still be there after your warranty expires.



Parts and Accessories

GEAppliances.com

Individuals qualified to service their own appliances can have parts or accessories sent directly to their homes (VISA, MasterCard and Discover cards are accepted). Order on-line today, 24 hours every day or by phone at 800.626.2002 during normal business hours.

Instructions contained in this manual cover procedures to be performed by any user. Other servicing generally should be referred to qualified service personnel. Caution must be exercised, since improper servicing may cause unsafe operation.



Contact Us

GEAppliances.com

If you are not satisfied with the service you receive from GE, contact us on our Website with all the details including your phone number, or write to:

General Manager, Customer Relations
GE Appliances, Appliance Park
Louisville, KY 40225



Register Your Appliance

GEAppliances.com

Register your new appliance on-line—at your convenience! Timely product registration will allow for enhanced communication and prompt service under the terms of your warranty, should the need arise. You may also mail in the pre-printed registration card included in the packing material.



Secadoras

Instrucciones de seguridad 2-4

Instrucciones de funcionamiento

Controles4-7
Inicio rápido5
Cómo usar la secadora8

Cuidado y limpieza9

Instrucciones de instalación

Cómo invertir la apertura de la puerta10-13
Cómo apilar la lavadora y la secadora14-16

Consejos para solución de problemas17-20

Soporte al consumidor

Garantía 21
Soporte al consumidor..... 22

Manual del propietario

GFDS175
GFDS170



Escriba los números de modelo y de serie aquí:

Modelo # _____

Serie # _____


Se encuentran en una etiqueta en el frente de la secadora detrás de la puerta.




234D2270P001
49-90520 04-14 GE

INFORMACIÓN DE SEGURIDAD IMPORTANTE.

LEA TODAS LAS INSTRUCCIONES ANTES DE USAR.


 Éste es el símbolo de alerta de seguridad. El mismo alerta sobre potenciales riesgos que le pueden producir la muerte o lesiones tanto a usted como a otras personas. Todos los mensajes de seguridad estarán a continuación del símbolo de alerta de seguridad y con la palabra "PELIGRO", "ADVERTENCIA" o "PRECAUCIÓN". Estas palabras se definen como:

 **PELIGRO** Indica una situación de riesgo que, si no se evita, **producirá** la muerte o lesiones graves.

 **ADVERTENCIA** Indica una situación de riesgo que, si no se evita, **podría** producir la muerte o lesiones graves.

 **PRECAUCIÓN** Indica una situación de riesgo que, si no se evita, **podría** resultar en lesiones menores o moderadas.

INSTRUCCIONES IMPORTANTES DE SEGURIDAD

 **ADVERTENCIA** Para reducir el riesgo de incendio, explosión, descargas eléctricas o lesiones sobre las personas al usar su electrodoméstico, siga las precauciones básicas, incluyendo lo siguiente:

- Lea todas las instrucciones antes de usar este electrodoméstico.
- NO seque prendas que en forma previa hayan sido secadas, lavadas, penetradas o manchadas con gasolina, solventes de limpieza en seco, u otras sustancias inflamables o explosivas, ya que despiden vapores que se podrían encender o explotar.
- NO permita que los niños jueguen sobre o dentro de este electrodoméstico. Cuando el electrodoméstico se use cerca de niños, será necesario supervisarlos de cerca. Antes de que este electrodoméstico quede fuera de uso o se descarte, retire la puerta del compartimiento de secado.
- NO introduzca las manos en la secadora cuando el tambor se encuentre en movimiento.
- NO instale ni guarde este electrodoméstico donde quede expuesto a los factores climáticos.
- NO manipule indebidamente los controles, reparar ni reemplazar cualquier parte del electrodoméstico o realizar cualquier otro trabajo técnico, a menos que esto sea específicamente recomendado en las instrucciones de mantenimiento del usuario o en instrucciones publicadas sobre reparaciones del usuario, que entienda y para las cuales posea las destrezas necesarias.
- NO utilice suavizantes de tela ni productos para eliminar la estática, a menos que esto sea recomendado por el fabricante del suavizante de tela u otro producto.
- NO utilice calor para secar artículos que contengan gomaespuma o materiales de goma con textura similar.
- Limpie la rejilla para pelusas antes o después de cada carga. NO utilice la secadora si el filtro de pelusas no se encuentra colocado.
- No guarde materiales combustibles, gasolina u otros líquidos inflamables cerca de la secadora. Evite la acumulación de pelusa, polvo o tierra alrededor del área de la apertura de ventilación y áreas adyacentes. Mantenga el área de la secadora despejada y libre de objetos que puedan obstruir el flujo del aire de la ventilación y combustión.
- La parte interior del electrodoméstico y el conducto de ventilación se deberán limpiar periódicamente por personal calificado del servicio técnico.
- NO coloque prendas expuestas a aceites de cocción en su secadora. Las prendas contaminadas con aceites de cocción podrán contribuir a una reacción química que podría hacer que una carga de ropa se prenda fuego.
- Mantenga el piso alrededor de sus electrodomésticos limpio y seco para reducir la posibilidad de resbalones.
- Desenchufe el electrodoméstico o apague el disyuntor antes de realizar el servicio técnico. Presionar el botón **Power** (*Encendido*) o **Start/Pause** (*Inicio/Pausa*) NO desconecta el encendido.
- NO utilice este electrodoméstico si se encuentra dañado, funcionando mal, parcialmente desensamblado, o si tiene partes faltantes o rotas, incluyendo un cable o enchufe dañado.
- NO rocíe ningún tipo de aerosol dentro, sobre ni cerca de la secadora en ningún momento. No use ningún tipo de limpiador en spray para limpiar el interior de la secadora. Se podrán producir vapores o una descarga eléctrica.
- Para acceder a las instrucciones de conexión a tierra, lea los "Conexión Eléctrica" ubicados en las Instrucciones de Instalación.

GUARDE ESTAS INSTRUCCIONES

ADVERTENCIAS ADICIONALES SOBRE LA SECADORA A GAS



ADVERTENCIA

Para su seguridad, siga las instrucciones de este manual a fin de minimizar riesgos de incendio o explosión, o para evitar daños, lesiones personales o la muerte.

- NO guarde ni use gasolina u otros vapores y líquidos inflamables cerca de éste ni de otros electrodomésticos.
- QUÉ DEBE HACER SI HUELE GAS:
 - NO intente iluminar ningún electrodoméstico.
 - NO toque ningún interruptor eléctrico; NO use teléfonos en su edificio.
 - Haga que se retiren los ocupantes de la sala, edificio o área.
 - De inmediato llame a su proveedor de gas desde el teléfono de un vecino. - Siga las instrucciones del proveedor de gas.
 - Si no se puede comunicar con su proveedor de gas, llame al departamento de bomberos.
- La instalación y las reparaciones deberán ser realizadas por un instalador calificado, agencia de servicios o el proveedor de gas.

Advertencias de la Proposición 65 del Estado de California:

La Ley sobre Agua Potable Inocua y Tratamiento de Residuos Tóxicos de California (California Safe Drinking Water and Toxic Enforcement Act) solicita al Gobernador de California que publique una lista de sustancias que el estado reconoce que producen cáncer, defectos de nacimiento u otros daños reproductivos y solicita a las empresas que adviertan sobre la posible exposición a tales sustancias.



ADVERTENCIA

Este producto contiene uno o más químicos que el Estado de California entiende que producen cáncer, defectos en el nacimiento u otros daños reproductivos.

Los electrodomésticos a gas pueden causar una exposición de bajo nivel a algunas de estas sustancias, incluyendo benceno, monóxido de carbono, formaldehído y hollín, ocasionado principalmente por la combustión incompleta de gas natural o combustibles de LP. La exposición a estas sustancias puede ser minimizada ventilando correctamente la secadora hacia el exterior.

GUARDE ESTAS INSTRUCCIONES

⚠ ¡ADVERTENCIA!

Para reducir el riesgo de incendios, descargas eléctricas o heridas, lea las INSTRUCCIONES IMPORTANTES DE SEGURIDAD antes de utilizar este electrodoméstico.

⚠ ADVERTENCIA



Riesgo de Explosión

Mantenga cualquier material y vapores inflamables, tales como gasolina, alejados de la secadora.

NO seque nada que alguna vez haya tenido algo inflamable en éste (incluso luego de lavar).

Si no se cumple con esto, se podrá producir muerte, explosión o incendio.

⚠ ADVERTENCIA



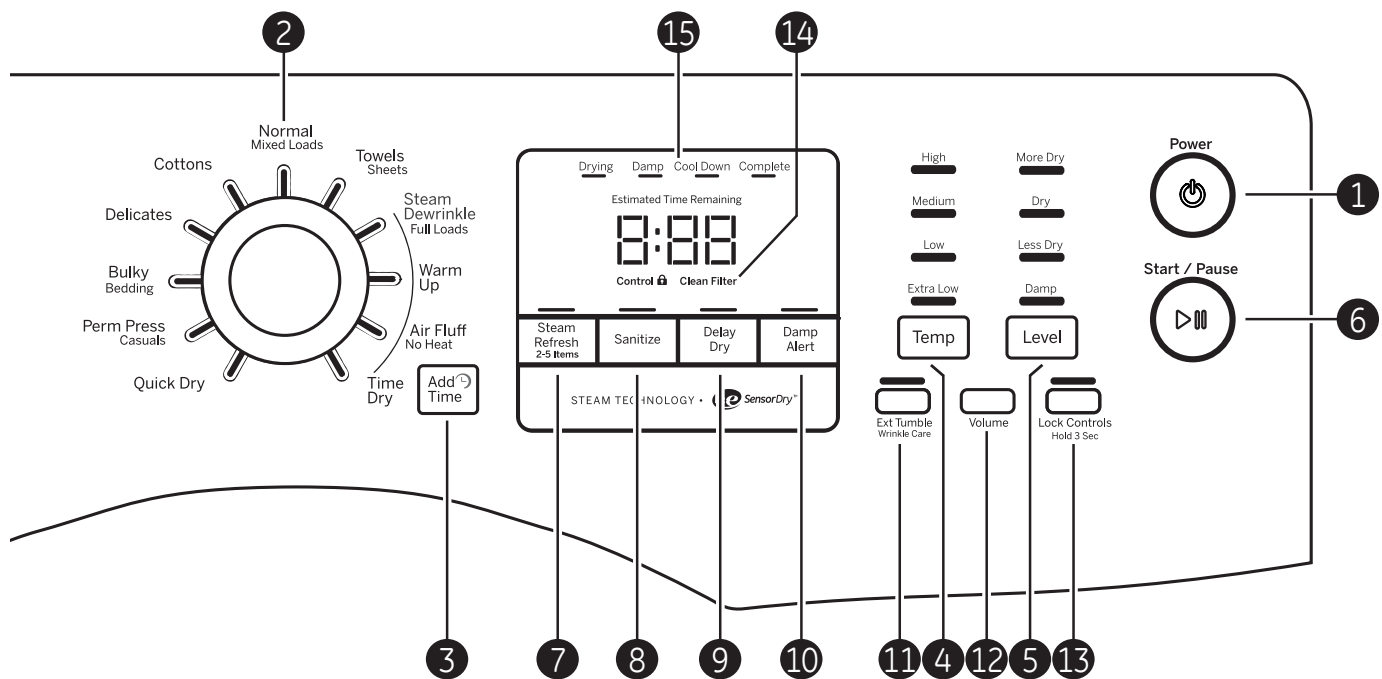
Riesgo de Incendio

Ninguna lavadora puede eliminar el aceite por completo. No seque nada que alguna vez haya tenido algún tipo de aceite (incluyendo aceites de cocina).

Las prendas con gomaespuma, goma, o plástico deberán ser secadas en un tendedero o utilizando un ciclo de Air Dry (Secado con Aire).

Si no se siguen estas instrucciones se podrá producir la muerte o un incendio.

Es posible que las funciones y apariencias varíen con relación a su modelo a lo largo del manual.



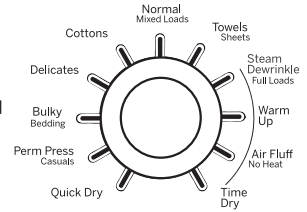
Inicio rápido

- 1 Presione el botón **Power** (Encendido).



Si la pantalla está oscura, presione el botón **Power** (Encendido) para “despertar” la pantalla.

- 2 Seleccione un ciclo de secado. (Existen configuraciones predeterminadas para cada ciclo. Estas configuraciones predeterminadas pueden cambiarse. Para más información, ver **Ajustes de control**..



- 3 Presione el botón **Start/Pause** (Iniciar/Pausa).



1 Power (Encendido)

Presione para “despertar” la pantalla. Si la pantalla está activa, presione para apagar la secadora.

NOTA: Presionar **Power** (Encendido) no desconecta el artefacto del suministro de energía.

2 Ciclos de secado

El ciclo de secado controla el tiempo y velocidad de giro del proceso de secado. El cuadro que aparece a continuación le ayudará a establecer el ajuste de secado según las cargas.

Normal/Mixed Loads (Carga normal/mixta)	Para cargas que cuentan con algodones y mezclas de poliéster.
Cottons (Algodones)	Para algodones y la mayoría de los linos.
Delicates (Delicados)	Para lencería y telas delicadas.
Bulky/Bedding (Prendas voluminosas)	Para abrigos grandes, prendas de cama, cubiertas de colchones, bolsas de dormir, mantas, edredones, fundas y tapetes pequeños, y artículos tales como grandes y gruesos similares.
Perm Press/Casuals (Planchado Perm)	Prendas utilizadas para ejercicio físico activo y algunas prendas informales. Las telas incluyen acabados de tecnología nueva y fibras elásticas como el Spandex. También para vestimenta con etiqueta Easy Care (Cuidado Fácil) y Perma Press (Planchado Permanente): Para prendas y tejidos sin arrugas y planchado permanente.
Quick Dry (Secado rápido)	Para cargas pequeñas que se necesitan cuando antes, como uniformes deportivos o escolares. También puede usarse si el ciclo anterior dejó húmedas algunas partes, como cuellos o cinturas.
Towels/Sheets Toallas/ Sábanas	Use para toallas O sábanas No se recomienda mezclar toallas y sábanas en la misma carga.
Steam Dewrinkle Full Loads (Estirar por vapor)	Proporciona 20 minutos de secado a vapor para desarrugar la ropa. Ideal para cargas que se dejan en la secadora durante períodos prolongados.
Warm Up (Calentamiento)	Brinda 10 minutos de calentamiento de las ropas.
Air Fluff/No Heat (Esponjado con aire)	Proporciona 10 minutos de giro del tambor sin calor.
Time Dry (Secado cronometrado)	Utilícelo para configurar su propio tiempo de secado. Time Dry (Secado cronometrado) también se recomienda para cargas de poco volumen. Para utilizar Time Dry : 1. Gire la perilla de ciclo a Time Dry (Secado cronometrado) . 2. Seleccione el tiempo de secado presionando el botón Add Time (Tiempo de agregar) . Nota: Este botón sólo aumenta el tiempo. Al alcanzar el tiempo máximo, si presiona el botón de nuevo se reconfigura el contador en la configuración más baja. 3. Seleccione Temp (Temperatura) . 4. Cierre la puerta. 5. Presione Start/Pause (Inicio/Pausa) .

Ajustes de control.

3



Add Time (Agregue Tiempo)

Presione para agregar tiempo a los ciclos **Steam Dewrinkle (Desarrugar al Vapor)**,

Warm Up (Calentar), **Air Fluff (Secado por Aire)** o **Time Dry (Secado por Tiempo)** en incrementos de 10 minutos.

4



Temp (Temperatura)

Usted puede cambiar la temperatura de su ciclo de secado.

High (Alto)	Para algodones normales a pesados.
Medium (Medio)	Para sintéticos, mezclas y prendas marcadas como planchado permanente.
Low (Bajo)	Para delicados, sintéticos y prendas marcadas como Tumble Dry Low (secado bajo en secadora).
Extra Low (Extra bajo)	Para lencería y telas delicadas.

5



Level (Nivel)

El sensor continuamente monitorea la cantidad de humedad de la carga. Cuando la humedad de sus ropas alcanza su nivel de secado seleccionado, la secadora se detendrá.

NOTA: El **Nivel** de secado por sensor sólo funciona con los ciclos **Cottons (Algodones)**, **Normal (Normal)**, **Perm Press (Presión Permanente)**, **Delicates (Prendas Delicadas)**, **Quick Dry (Secado Rápido)**, **Bulky (Abultado)**, **Towels/ Sheets (Toallas/ Sábanas)** y **Steam Dewrinkle (Desarrugar al Vapor)**.

More Dry (Más seco)	Úselo para telas pesadas o de tipo mixto.
Dry (Seco)	Úselo para un nivel de secado normal adecuado para la mayoría de las cargas. Este es el ciclo preferido para ahorrar energía.
Less Dry (Menos seco)	Úselo para telas más livianas (ideal para planchado).
Damp (Húmedo)	Para dejar las prendas parcialmente húmedas.

6

Start / Pause



Start/Pause (Inicio/Pausa)

Presione para comenzar un ciclo de secado. Si la secadora está funcionando, presiónelo una vez y la secadora se detendrá. Presiónelo de nuevo para volver al ciclo de secado.

7



Steam Refresh Cycle (Renovación por Vapor)

Para prendas secas ligeramente arrugadas. Reduce significativamente las arrugas en 5 prendas. Después del ciclo **Steam Refresh (Renovación por vapor)**, la unidad emitirá un pitido y mostrará y "0:00". Si la unidad no se apaga o si la puerta no se abre, la secadora seguirá girando por 30 minutos. Al finalizar los 30 minutos, aparecerá en la pantalla "0:00" y el ciclo completo.

NOTA: En el ciclo de renovación por vapor puede hacer falta que se agregue una prenda adicional a una prenda única de tela extremadamente liviana para lograr resultados óptimos.

8



Sanitize

Esta opción reduce ciertos tipos de bacterias en un 99.9%, incluyendo: staphylococcus aureus, pseudomonas aeruginosa y klebsiella pneumoniae*. El proceso antibacteriano ocurre cuando se utiliza un alto nivel de calor durante una parte del ciclo de secado.

NOTA: No use este ciclo con telas delicadas.

*El Ciclo **Sanitize** está Certificado por NSF International en el Protocolo P154 de NSF de Desempeño Sanitario de Secadoras de Ropa Residenciales.



Protocolo 154 de NSF
Desempeño Sanitario
de Secadoras de Ropa
Residenciales

9

**Delay Dry (Secado retardado)**

Utilícelo para retardar el inicio de su secadora.

1. Elija un ciclo de secado y cualquier otra opción.
2. Presione **Delay Dry (Secado retardado)**. Puede modificar el tiempo de retraso con incrementos de 1 hora hasta 24 horas, usando el botón **Delay Dry (Secado con Retraso)**.

3. Presione **Start/Pause (Inicio/Pausa)** para iniciar la cuenta regresiva.

NOTA: Si la puerta se abre mientras la secadora se encuentra en **Delay Dry (Secado retardado)**, la cuenta regresiva no volverá a iniciarse a menos que la puerta esté cerrada y el botón **Start/Pause (Inicio/Pausa)** se haya presionado de nuevo.

10

**Damp Alert (Alerta de humedad)**

Esta opción hace que la secadora emita un pitido cuando las prendas se han secado hasta un nivel húmedo. Retire las prendas que quiere colgar.

Damp Alert (Alerta de humedad) sólo sonará cuando se selecciona esta opción, y la secadora continuará de secar.

Quitar algunas prendas y colgarlas cuando están húmedas puede reducir la necesidad de plancharlas.

11

**Ext Tumble/Wrinkle Care (Prolongar secado/Cuidado de Arrugas)**

Minimiza las arrugas al agregar aproximadamente 60 minutos de secado sin calor después de que las prendas están secas. El pitido sonará cada cinco minutos como

recordatorio de que se deben retirar las prendas.

La pantalla de tiempo estimado restante mostrará "0:00".

El tiempo de giro extendido no se agrega al tiempo del ciclo en la pantalla.

12

**Volume (Volumen)**

Le indica que el ciclo ha finalizado. El pito seguirá sonando cada minuto durante los 5 minutos siguientes, hasta que retire las prendas. Las prendas deben retirarse cuando el pito deja de sonar para que no se fijen las arrugas.

Presione **Volume (Volumen)** para seleccionar volumen bajo, medio o alto, o para apagar el pito.

Para activar o desactivar los sonidos que los botones hacen al ser presionados, mantenga presionado el botón **Volume (Volumen)** durante 3 segundos.

13

**Lock Control (Bloquear de control)**

Puede bloquear los controles para impedir que se realice cualquier selección. O bien puede bloquear los controles después de haber iniciado un ciclo.

Con esta opción seleccionada, los niños no podrán poner en marcha la secadora de manera fortuita aunque toquen el panel.

Para bloquear la secadora, mantenga pulsado el botón **Lock Control (Bloquear de control)** durante 3 segundos.

Para desbloquear los controles de la secadora, mantenga pulsado el botón **Lock Control (Bloquear de control)** durante 3 segundos.

Se escuchará un sonido que indica la condición de bloqueado/desbloqueado.

La luz indicadora sobre el botón se iluminará cuando los controles estén bloqueados.

NOTA: El botón **Power (Encendido/Apagado)** puede seguir utilizándose cuando la lavadora está bloqueada.

14

Clean Filter**Clean Filter Message (Mensaje limpiar el filtro)**

Este mensaje representa sólo un recordatorio y **no** siempre aparece cuando debe limpiarse el filtro. El filtro debe limpiarse después de la finalización de cada ciclo de secado.

Este mensaje desaparecerá después de presionar el botón **Start/Pause (Inicio/Pausa)**. Aunque haya limpiado el filtro (antes o después de presionar el botón **Power (Encendido/Apagado)**), seguirá apareciendo el mensaje "Clean Filter" (Mensaje limpiar el filtro) hasta que se active el botón **Start/Pause (Inicio/Pausa)**.

15

**Pantalla**

Muestra el tiempo restante estimado hasta el final del ciclo.

A medida que inicia el ciclo, podrá ver un tiempo de ciclo total inicial aproximado en la pantalla.

Las luces se encenderán "a modo de carrera" en la pantalla. Esto significa que la secadora está monitoreando continuamente la cantidad de humedad en la carga. Las luces continuarán encendiéndose hasta que la secadora detecte un nivel de humedad bajo en la carga. En este punto la secadora calculará y mostrará el tiempo restante aproximado.

Cómo usar la secadora.















Siempre siga las instrucciones del fabricante de la ropa cuando lave.



Etiquetas sobre cuidado de las telas

A continuación incluimos los "símbolos" de las etiquetas sobre cuidado de las telas que podrían afectar a las ropas que está lavando.

ETIQUETAS DE SECADO

Secado en secadora						
	Secado	Normal	Planchado permanente/ resistente a las arrugas	Suave/ delicado	No secar en secadora	No secar (utilizado con no lavar)
Configuración de calor						
	Alto	Medio	Bajo	Sin calor/aire		
Instrucciones especiales						
	Colgar para secar	Secado por goteo	Secar extendido	À la sombra		



Consejos de clasificación y carga

Como regla general, si las prendas están bien clasificadas para la lavadora, estarán bien clasificadas para la secadora. También trate de clasificar las prendas de acuerdo al tamaño. Por ejemplo, no seque una sábana con medias u otros elementos pequeños.

No agregue suavizante de telas una vez que la carga se ha calentado. Esto puede provocar manchas de suavizante. El acondicionador de telas Bounce® en hojas para secadoras ha sido aprobado para su uso en esta secadora cuando se utiliza de acuerdo con las instrucciones del fabricante.

No la sobrecargue. Eso malgasta energía y provoca arrugas.

El exterior: Pásele un trapo y elimine el polvo o cualquier derrame de productos de lavandería con un trapo húmedo. Los productos de tratamiento para quitar mugre y manchas podrían dañar el panel de control de la secadora y afectar su apariencia. Aplique estos productos a cierta distancia de la secadora. Luego las telas podrán lavarse y secarse normalmente. Los daños causados a la secadora por estos productos no están cubiertos bajo su garantía.

El filtro de pelusa: Limpie el filtro de pelusa antes de cada uso.

Saque el filtro de pelusa. Humedezca sus dedos y quite la pelusa capturada. Una vez que se encuentre limpio, deslice el filtro nuevamente a su lugar. Pida a un técnico de servicio calificado que aspire la pelusa de la secadora una vez al año.

NUNCA OPERE LA SECADORA SIN EL FILTRO EN SU LUGAR.

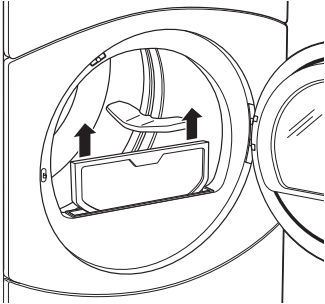
Acero inoxidable: Para limpiar superficies de acero inoxidable, utilice un paño húmedo con un limpiador suave y no abrasivo adecuado para superficies de acero inoxidable. Quite los restos de limpiador y luego seque con un paño limpio.

El acero inoxidable utilizado para fabricar el tambor de la secadora ofrece la mayor confiabilidad de una secadora GE. Si el tambor de la secadora se raya o abolla durante un uso normal, éste no se oxidará o corroerá. Estas imperfecciones de la superficie no afectan la función o durabilidad del tambor.

Interior y conducto de la secadora: Un técnico calificado debe limpiar la parte interna del aparato y del conducto de salida una vez por año.

El ducto de escape: Inspeccione y limpie el ducto de escape por lo menos una vez al año para evitar las obstrucciones. Un escape parcialmente taponado puede prolongar el plazo de secado.

La salida de escape: Verifique, utilizando un espejo, que las aletas interiores de la salida de escape se mueven libremente durante la operación. Asegúrese de que ningún animal (pájaros, insectos, etc.) haya hecho su nido en el interior del conducto o en la salida de escape.

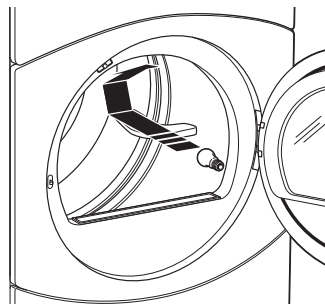


La bombilla del tambor giratorio

La bombilla del tambor se enciende automáticamente al abrir la puerta.

Antes de reemplazar la bombilla, asegúrese de desconectar la secadora del tomacorriente o de desconectar la secadora del panel de distribución de su casa removiendo el fusible o interrumpiendo el circuito eléctrico. Alcance por encima de la abertura de la puerta de la secadora dentro del tambor. Quite la bombilla y reemplace con una bombilla del mismo tamaño.

Ordene la lámpara de reemplazo **WE4M305** a través de Internet en **GEApplianceParts.com**, en forma telefónica al **800.626.2002** durante el horario comercial normal, o adquiera la lámpara del electrodoméstico **7C7** a través de su vendedor minorista.



Instrucciones de instalación

CÓMO INVERTIR LA APERTURA DE LA PUERTA (si así se desea)

NOTAS IMPORTANTES

- Lea todas las instrucciones antes de comenzar.
- Manipule las piezas con cuidado para no rayar la pintura.
- Separe los tornillos por sus piezas relacionadas para evitar usarlos en lugares equivocados.
- Coloque las puertas sobre una superficie de trabajo que no raye.
- El tiempo normal utilizado para invertir la apertura de la puerta es de 30-60 minutos.

IMPORTANTE: Una vez que haya comenzado, no mueva el gabinete hasta haber finalizado la inversión de la apertura de la puerta.

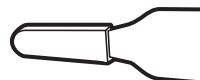
Estas instrucciones son para cambiar las bisagras del lado derecho al lado izquierdo; si alguna vez desea cambiarlas de nuevo al lado derecho, siga las mismas instrucciones e invierta todas las referencias de izquierda a derecha.

HERRAMIENTAS NECESARIAS

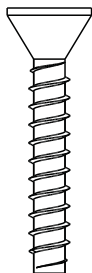
Destornillador Phillips



Espátula o destornillador de hoja delgada



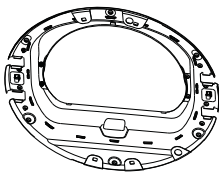
PIEZAS DE LA PUERTA



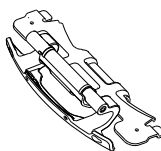
6 - Tornillos Auto perforantes



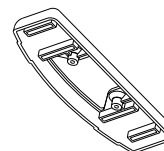
Anillo Externo



Puerta Interna



Bisagra



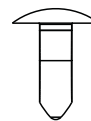
Tapa de la Bisagra



4 - Tornillos para Bisagra



8 - Tornillos para Máquina



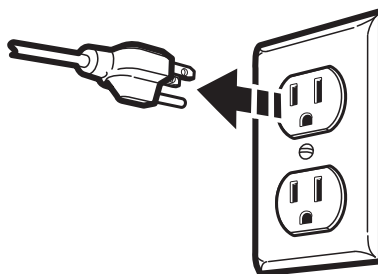
4 - Botones Decorativos



2 - Tornillos para Soporte de Impacto

ANTES DE COMENZAR

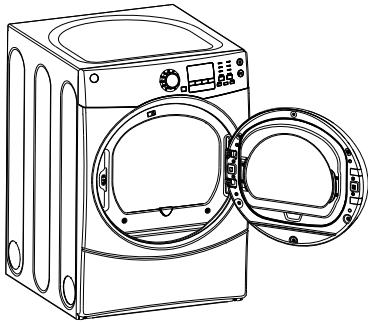
Desenchufe la secadora del tomacorriente.



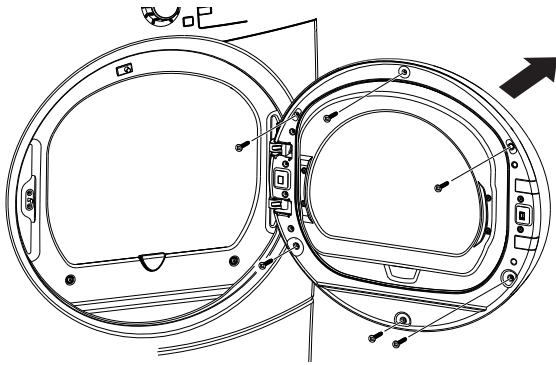
Instrucciones de instalación

1 RETIRE EL ENSAMBLE DE LA PUERTA

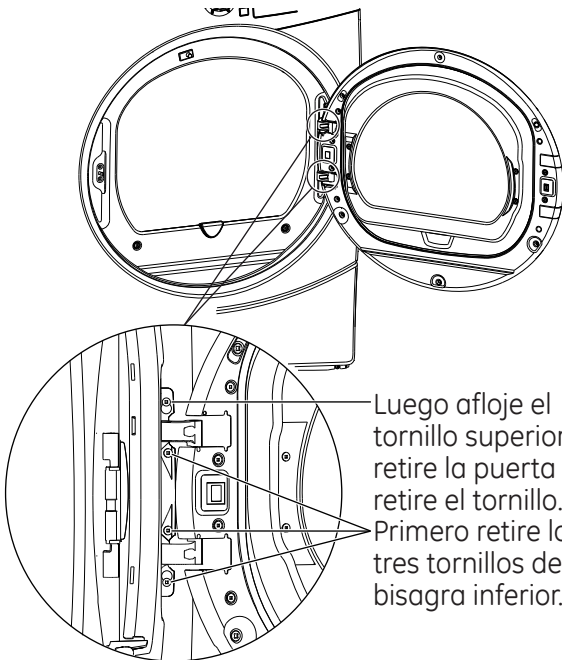
A. Abra la puerta 130 grados aproximadamente.



B. Quite los 6 tornillos roscadores ubicados alrededor del perímetro de la puerta que rodea la junta. Retire el anillo externo.



C. Retire los 3 tornillos para bisagra comenzando por la parte inferior y moviéndose hacia arriba. Asegúrese de sostener la puerta mientras quita los tornillos.



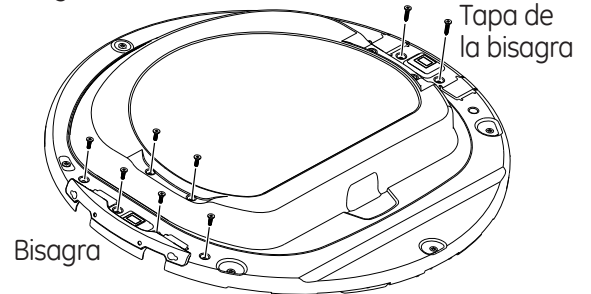
Luego afloje el tornillo superior, retire la puerta y retire el tornillo. Primero retire los tres tornillos de la bisagra inferior.

D. Afloje el tornillo superior de la manera indicada. Desenganche la puerta levantando y jalando. Retire el tornillo superior.

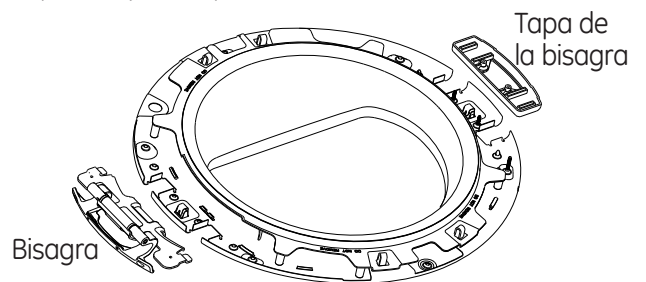
2 quite la bisagra y la tapa

IMPORTANTE: Observe la ubicación de la bisagra (izquierda o derecha) antes de retirar la misma.

A. Retire los 6 tornillos para máquina de la bisagra y los 2 tornillos para máquina de la tapa de la bisagra.

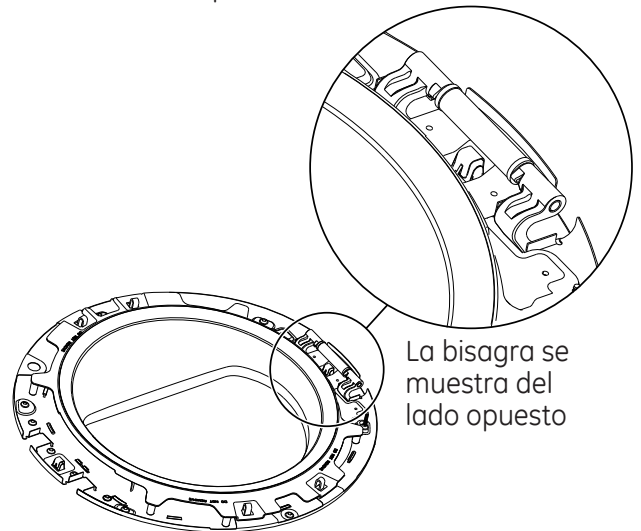


B. Una vez que haya quitado los tornillos, gire la puerta y separe el montaje de la puerta exterior y la tapa de la bisagra de la puerta del armazón de la puerta y coloque a un lado.



3 REINSTALE EL CONJUNTO DE BISAGRAS

A. Coloque el montaje de la bisagra en el lado opuesto de la puerta como se indica. Empuje el montaje de la bisagra en su lugar hasta que los orificios de la bisagra queden alineados con los orificios de la puerta.



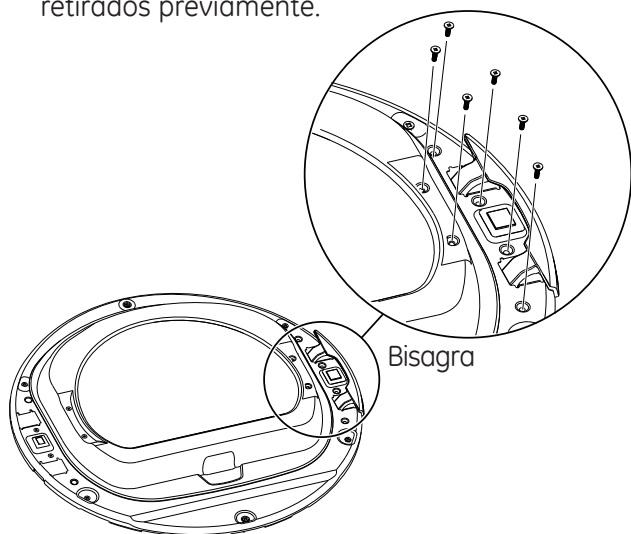
La bisagra se muestra del lado opuesto

Instrucciones de instalación

CÓMO INVERTIR LA APERTURA DE LA PUERTA (si así se desea)

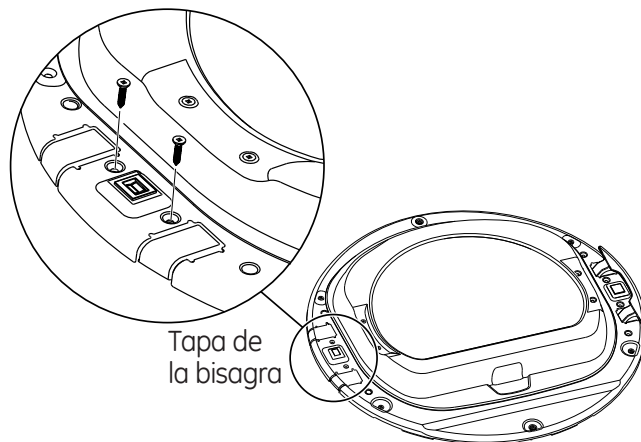
3 REINSTALE EL CONJUNTO DE BISAGRAS (cont.)

- B. Sostenga la bisagra y dé vuelta la puerta. Instale la bisagra usando los 6 tornillos para máquina retirados previamente.



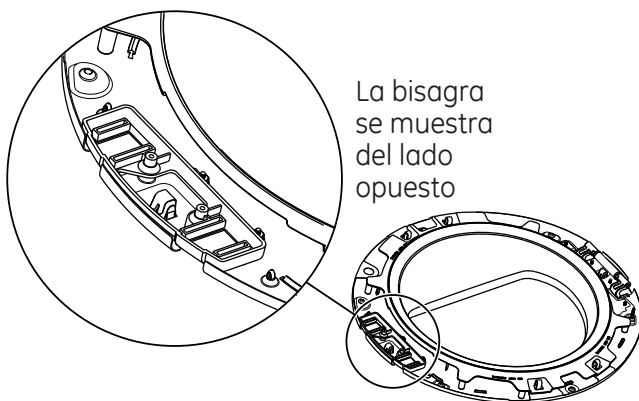
4 RETIRE EL ENSAMBLE DE LA PUERTA (cont.)

- B. Sostenga la tapa de la bisagra y dé vuelta la puerta. Instale la bisagra usando los 2 tornillos para máquina retirados previamente.



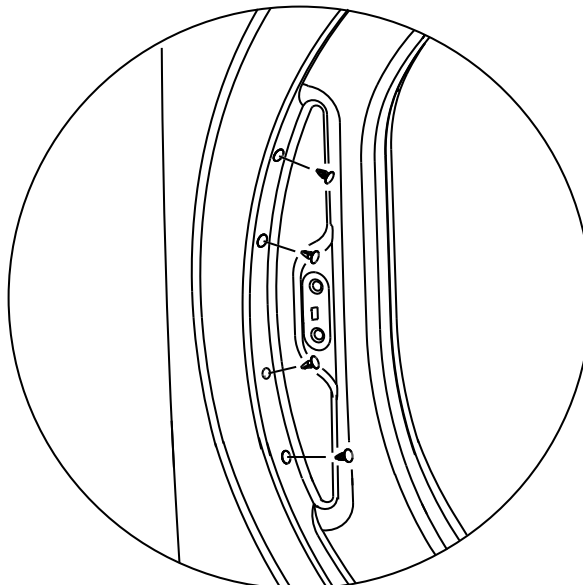
4 RETIRE EL ENSAMBLE DE LA PUERTA

- A. Dé vuelta la puerta y coloque la tapa de la bisagra del lado opuesto de la puerta, como se muestra. Alinee los agujeros de la cubierta de bisagra con los agujeros en la puerta.



5 MUEVA EL SOPORTE DE IMPACTO

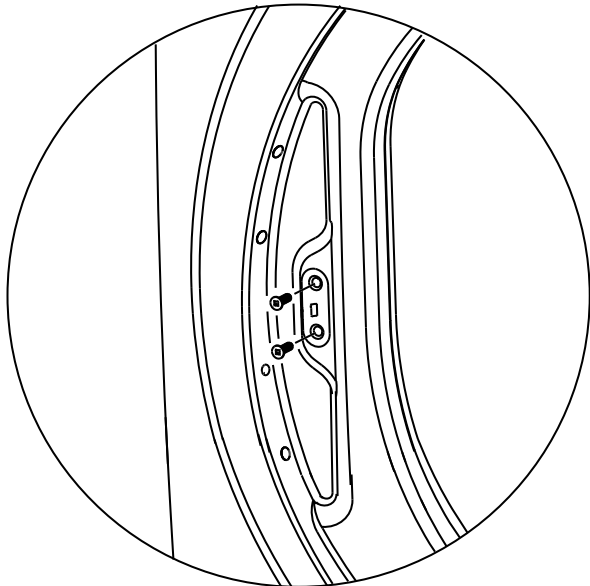
- A. Utilizando una espátula u otra herramienta plana, quite los 4 botones decorativos ubicados en la secadora en el sitio donde se instalará la puerta e instálelos en el lado opuesto.



Instrucciones de instalación

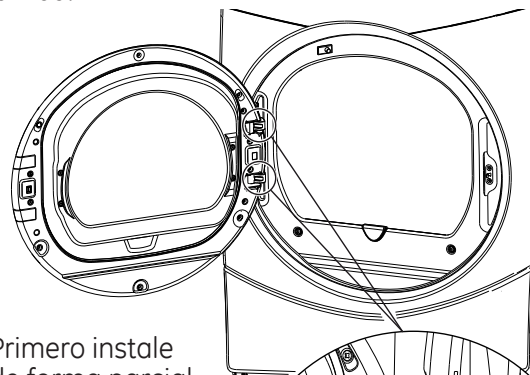
5 MUEVA EL SOPORTE DE IMPACTO (cont.)

- B. Cambie el soporte de impacto y su cubierta al lado opuesto al quitar los tornillos. Luego, reinstale ambos en el lado opuesto.

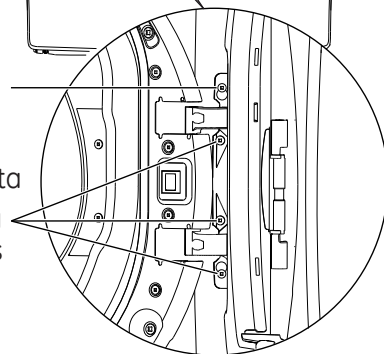


6 REINSTALE EL CONJUNTO DE PUERTA

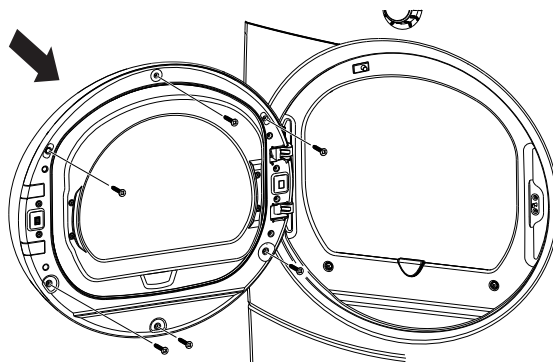
- A. Instale la puerta en la secadora. Para facilitar este paso, la bisagra dispone de ojos para cerradura que permiten utilizar un tornillo parcialmente apretado a modo de gancho. Apriete parcialmente un tornillo en el agujero para tornillo más alto. Enganche la puerta en el tornillo parcialmente apretado. Ajuste la bisagra instalando los 3 tornillos adicionales y apretando el tornillo que está parcialmente apretado y que se ubica más arriba.



Primero instale de forma parcial el tornillo de la bisagra superior en la secadora y sostenga la puerta. Luego asegure la misma con todos los tornillos



- B. Alinee el anillo externo en la puerta y ajuste los 6 tornillos autoperforantes, ubicados alrededor del perímetro de la puerta que rodean la junta.



Instrucciones de instalación

CÓMO APILAR LA LAVADORA Y LA SECADORA (si así lo desea)

ANTES DE COMENZAR

Lea detenidamente todas las instrucciones.

- **IMPORTANTE** – Guarde estas instrucciones para uso del inspector local.
- **IMPORTANTE** – Cumpla todos los códigos y ordenanzas regulatorias.
- **Nota al instalador** – Asegúrese de dejar estas instrucciones al usuario.
- **Nota al usuario** – Guarde estas instrucciones para consultas futuras.
- La instalación **debe** efectuarla un instalador calificado.
- La instalación adecuada es responsabilidad del instalador.

- Desconecte la energía antes de instalar. No hacerlo puede provocar una lesión personal grave o la muerte.

ADVERTENCIA - Riesgo de Peso Excesivo

Se deberá contar con dos o más personas para instalar la secadora.

Si esto no se cumple, se podrán producir lesiones en la espalda u otras heridas.

- Evite la inclinación y ruptura de los servicios públicos. La secadora debe estar bien sujeta a la lavadora. NO coloque la lavadora sobre la secadora. Hacerlo puede provocar una lesión personal/la muerte o daños a la propiedad.
- Instalación en casas rodantes o casas prefabricadas – No se permite apilar una secadora a gas en casas rodantes o casas prefabricadas.

ESPACIO LIBRE MÍNIMO EN OTROS ESPACIOS QUE NO SEAN INSTALACIONES EN NICHOS O ARMARIOS

Los espacios libres mínimos respecto de superficies combustibles y de aberturas de aire son: 0" a ambos lados, 3" en el frente/en la parte trasera y 1" superior. Debe tenerse en cuenta un espacio libre adecuado para un funcionamiento y reparación correctos.

REQUERIMIENTOS PARA INSTALACIÓN EN NICHOS O ARMARIOS

- Su secadora puede instalarse en un nicho o armario, como se indica en la etiqueta de la parte trasera del aparato.
- Esta secadora **DEBE** tener una ventilación al exterior. Ver la sección SALIDA AL EXTERIOR DE LA SECADORA.
- El espacio libre mínimo entre el armario de la secadora y las paredes adyacentes u otras superficies es:
 - 0" sobre ambos lados
 - 3" sobre el frente y la parte trasera
 - 12" superior
- El espacio vertical mínimo desde el piso a los estantes superiores, gabinetes, cielorrasos, etc., es de 52".
- Las puertas del armario deben contar con rejillas u otro tipo de ventilación y tener por lo menos 60 pulgadas cuadradas de espacio abierto igualmente distribuido. Si el armario incluye una lavadora y una secadora, las puertas deben contener un mínimo de 120 pulgadas cuadradas de espacio abierto distribuido uniformemente.
- El armario debe tener ventilación hacia el exterior para evitar la acumulación de gas en caso de que haya gas en la línea de suministro.
- No deberán instalarse otros artefactos a combustible en el mismo armario con la secadora (sólo modelos a gas).

NOTA: CUANDO EL CONDUCTO DE SALIDA ESTÁ UBICADO EN LA PARTE TRASERA DE LA SECADORA, EL ESPACIO LIBRE MÍNIMO DESDE LA PARED DEBE SER 5.5 PULGADAS.

KIT DE APILADO DE GE:

Ordene hoy a través de Internet en GEAppliancesparts.com, las 24 horas del día o en forma telefónica llamando al **800.626.2002**, durante el horario comercial habitual.

Número de Pieza

GEFLSTACK

Accesorio

Kit Completo de Apilado



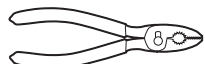


Instrucciones de instalación

CÓMO APILAR LA LAVADORA Y LA SECADORA (si así lo desea) (cont.)

CONTENIDOS DEL KIT DE APILADO GEFLSTACK (ACCESORIO OPCIONAL)

-  Soporte de lado izquierdo
-  Soporte de lado derecho
-  4 almohadillas de goma
-  4 tornillos #12 x 1"
-  4 tornillos #8 x 1/2"

HERRAMIENTAS NECESARIAS

-  Destornillador Phillips
-  Llave de extremo abierto
-  Pinzas
-  Guantes
-  Nivel

PREPARACIÓN PARA LA INSTALACIÓN

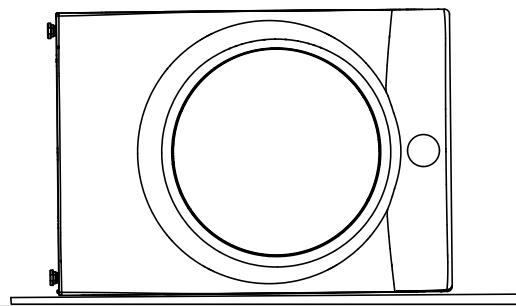
Quite el envoltorio.

Aplaste el cartón del producto para poder utilizarlo para colocar la secadora de costado. Siga usando el cartón para proteger el piso frente al lugar de instalación.

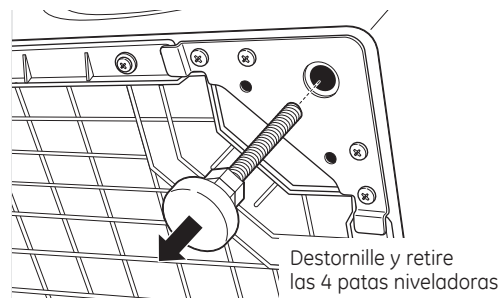
CÓMO INSTALAR EL KIT DE SOPORTE DE APILADO

1 CÓMO QUITAR LAS PATAS NIVELADORAS DE LA SECADORA

- A. Con cuidado coloque la secadora sobre su lado. Utilice el material de empaque para no rayar el acabado de la secadora.

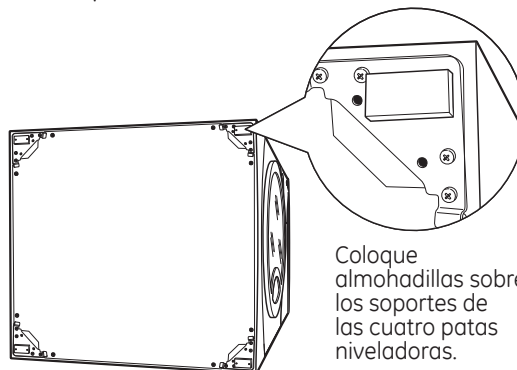


- B. Utilice una llave de extremo abierto o pinzas para quitar las patas niveladoras de la secadora.



2 INSTALE ALMOHADILLAS DE GOMA EN LA BASE DE LA SECADORA

Ubique las 4 almohadillas de goma en el paquete de piezas. Quite el papel que recubre el adhesivo y colóquelas firmemente sobre el soporte donde quitó las patas niveladoras.

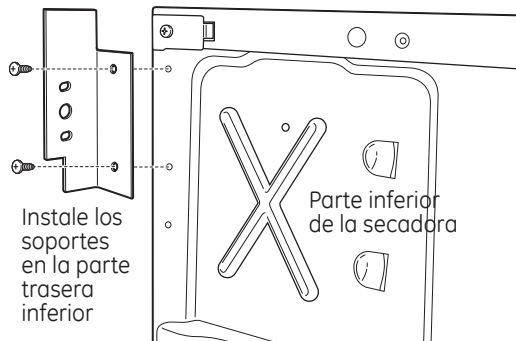


Instrucciones de instalación

3 CÓMO INSTALAR EL SOPORTE EN LA SECADORA

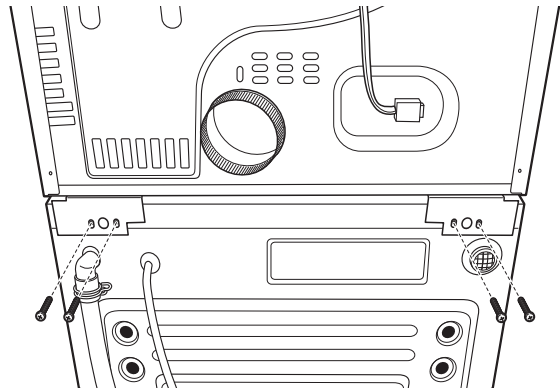
- A. Alinee los orificios del soporte izquierdo con los orificios del extremo inferior izquierdo de la secadora. Utilice un destornillador Phillips para instalar los 2 tornillos auto-roscantes #12 x 1".
- B. Repita el paso anterior con el soporte derecho en el extremo inferior derecho de la secadora.
- C. Coloque la secadora en posición vertical.

NOTA: Asegúrese de que la secadora se encuentre sobre un pedazo de material de empaque para que los soportes sujetos a la parte inferior de la secadora no dañen el piso.



5 CÓMO INSTALAR LA SECADORA Y EL SOPORTE EN LA LAVADORA (cont.)

- B. Alinee los orificios del soporte con los orificios de la parte trasera de la lavadora. Con un destornillador Phillips, sujete los 2 tornillos auto-roscantes #8 x 1/2". Repita en ambos lados de la lavadora.



4 PREPARE LA LAVADORA Y LA SECADORA

- A. Coloque la lavadora en la ubicación aproximada.
- B. Asegúrese de que la lavadora se encuentre nivelada. Consulte las Instrucciones de instalación de la lavadora para obtener más detalles.
- C. Invierta el sentido de apertura de la puerta de la secadora si lo desea. Consulte las Instrucciones de instalación de la secadora para obtener más detalles.

NOTA: El sentido de apertura de la puerta de la lavadora no es reversible.

5 CÓMO INSTALAR LA SECADORA Y EL SOPORTE EN LA LAVADORA

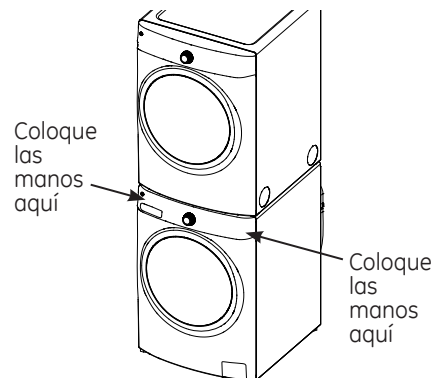
- A. Levante la secadora sobre la lavadora. Tenga cuidado de no rayar la parte superior de la lavadora con los soportes. Proteja el panel de control de la lavadora con cartón u otra protección. Asegúrese de levantar la secadora lo suficiente para liberar el panel de control de la lavadora.

Se recomienda que más de dos personas levanten la secadora hasta su posición debido a su peso y tamaño. No hacerlo puede provocar una lesión personal o la muerte.

6 FINALICE LA INSTALACIÓN

- A. Consulte las Instrucciones de instalación de la lavadora para completar la instalación de la lavadora.
- B. Consulte las Instrucciones de instalación de la secadora para completar la instalación de la secadora.
- C. Con cuidado deslice o desplace la lavadora y secadora apiladas a su lugar. Utilice almohadillas u otro dispositivo para ayudar a deslizar los artefactos y para proteger el piso.

No empuje la secadora una vez que se haya instalado sobre la lavadora. Si empuja la secadora puede pellizcarse los dedos.





Consejos para la solución de problemas

¡Ahorre tiempo y dinero! Consulte primero las tablas de las páginas siguientes o visite **GEAppliances.com** y quizás no necesite llamar al servicio.

Problema	Causas posibles	Solución
La secadora se mueve o hace ruido	El movimiento/ruido es normal. La secadora puede estar colocada en un lugar desnivelado	<ul style="list-style-type: none"> Desplace la secadora a un lugar nivelado, o ajuste las patas niveladoras según sea necesario.
Las prendas tardan mucho en secarse	Conducto inadecuado u obstruido	<ul style="list-style-type: none"> Controle las Instrucciones de instalación para verificar que la ventilación de la secadora sea la correcta. Verifique que el conducto se encuentre limpio, libre de abolladuras y sin obstrucciones. Controle que el regulador de tiro externo de pared funcione bien.
	Clasificación inadecuada	<ul style="list-style-type: none"> Separe prendas pesadas de livianas (generalmente, una carga bien clasificada para la lavadora es una carga bien clasificada para la secadora).
	Cargas grandes de telas pesadas (como toallas de playa)	<ul style="list-style-type: none"> Las telas grandes y pesadas contienen más humedad y tardan más en secarse. Separe las telas grandes y pesadas en cargas más pequeñas para acelerar el tiempo de secado.
	Los controles están mal configurados	<ul style="list-style-type: none"> Ajuste las configuraciones de control a la carga que esté secando.
	El filtro de pelusas está lleno	<ul style="list-style-type: none"> Limpie el filtro de pelusas antes de cada carga.
	Fusible quemado o disyuntor accionado	<ul style="list-style-type: none"> Cambie los fusibles o reconfigure los disyuntores. Ya que la mayoría de las secadoras utilizan 2 fusibles/disyuntores, asegúrese de que ambos estén funcionando.
	Carga excesiva/cargas combinadas	<ul style="list-style-type: none"> No coloque más de una carga en la secadora por vez.
	Poca carga	<ul style="list-style-type: none"> Si va secar sólo una o dos prendas, agregue algunas más para asegurar un secado correcto.
Se ha seleccionado el nivel de secado Dry (Seco) pero la carga aún se encuentra húmeda	La carga consiste de una combinación de telas pesadas y livianas	<ul style="list-style-type: none"> Cuando combine telas pesadas con livianas en una carga, escoja More Dry (Más seco).
	El sistema de escape está tapado	<ul style="list-style-type: none"> Inspeccione y limpie el sistema de escape.
Las teclas de control no responden	Los controles se accionaron accidentalmente en el modo de servicio	<ul style="list-style-type: none"> Presione Start/Pause (Inicio/Pausa).
	Los controles se accionaron accidentalmente en el modo de de bloqueo	<ul style="list-style-type: none"> Sostenga el botón Lock Control (bloqueo de control) durante 3 segundos para desbloquear la secadora.
	Los controles efectuaron una operación incorrecta	<ul style="list-style-type: none"> Reconfigure el disyuntor.
La secadora no se enciende	El panel de control está "dormido"	<ul style="list-style-type: none"> Esto es normal. Presione Power (encendido) para activar el panel de control.
	La secadora está desenchufada	<ul style="list-style-type: none"> Verifique que el enchufe de la secadora esté bien colocado en el tomacorriente.
	Fusible quemado/disyuntor accionado	<ul style="list-style-type: none"> Verifique la caja de fusibles/disyuntor del edificio y cambie el fusible o reconfigure el disyuntor. NOTA: Las secadoras eléctricas utilizan dos fusibles o disyuntores.
	La secadora se puso en pausa accidentalmente cuando se iniciaba Delay Dry (Secado retardado)	<ul style="list-style-type: none"> Si la luz del botón Start/Pause (Inicio/Pausa) destella, la secadora se encuentra en pausa. Presione Start/Pause (Inicio/Pausa) para volver a iniciar la cuenta regresiva.

Antes de llamar al servicio de asistencia técnica...



Consejos para la solución de problemas

Problema	Causas posibles	Qué hacer
No aparecen números en la pantalla durante el ciclo, sólo luces	La secadora monitorea constantemente la cantidad de humedad en la ropa	<ul style="list-style-type: none"> Esto es normal. Cuando la secadora detecta un nivel bajo de humedad en la carga, la secadora mostrará el tiempo restante de secado.
El tiempo restante ha saltado a un número inferior	El tiempo estimado podría cambiar si seca una carga menor a la normal	<ul style="list-style-type: none"> Esto es normal.
No puede realizar una selección y la secadora activa la alarma sonora dos veces	El Level (nivel de secado), Temp (temperatura) o la opción que intenta seleccionar es incompatible con el ciclo de secado que ha escogido	<ul style="list-style-type: none"> Esto es normal.
La secadora se encuentra funcionando, pero el tiempo restante muestra END	Se ha escogido la opción Ext Tumble/Wrinkle Care (Prolongar secado/Cuidado de Arrugas)	<ul style="list-style-type: none"> Esto es normal. Durante el secado prolongado, no se muestra el tiempo restante. La opción de secado prolongado tarda 60 minutos aproximadamente.
Mensaje "Clean Filter" (Limpie filtro de pelusa)	Se activó el botón Power (Encendido/Apagado)	<ul style="list-style-type: none"> Presione Start/Pause (Inicio/Pausa) para iniciar un ciclo de secado y desaparecerá el mensaje.
La secadora no calienta	Fusible quemado/disyuntor desconectado; es posible que la secadora gire sin calentar	<ul style="list-style-type: none"> Revise la caja de fusibles/disyuntores y reemplace ambos fusibles y reconecte ambos disyuntores. Es posible que la secadora gire si únicamente un fusible se ha quemado o un solo disyuntor ha saltado.
	Se ha cortado el suministro de gas (modelos a gas solamente)	<ul style="list-style-type: none"> Asegúrese que la válvula de cierre en la secadora y la válvula maestra está completamente abierta.
	El tanque de suministro de gas LP está vacío o se ha producido una interrupción en el servicio de gas natural (en los modelos a gas solamente)	<ul style="list-style-type: none"> Rellene o reemplace el tanque. La secadora se deberá calentar cuando se reestablezca el servicio de gas.
Plazos de secado inconsistentes	Tipo de calor	<ul style="list-style-type: none"> Los plazos de secado automático pueden variar según el tipo de calor utilizado. Se ha cambiado recientemente de una secadora eléctrica a una a base de gas (natural o LP), o viceversa, el tiempo de secado podría ser diferente.
	Tipo de carga y condiciones de secado	<ul style="list-style-type: none"> El tamaño de la carga, tipos de telas, humedad de la ropa y longitud y condición del sistema de escape afectará los tiempos de secado.
Las prendas aún se encuentran húmedas y la secadora se apaga después de un tiempo corto	Se abrió la puerta a la mitad del ciclo. Luego se procedió a retirar la carga de la secadora y se colocó una carga nueva sin seleccionar un ciclo nuevo	<ul style="list-style-type: none"> Se debe volver a seleccionar un ciclo de secado cada vez que se coloca una carga nueva.
	Carga pequeña	<ul style="list-style-type: none"> Cuando seque 3 o menos prendas, escoja Speed Dry (Secado rápido) o Time Dry (Secado cronometrado).
	La carga ya se encontraba seca a excepción de los cuellos y pretinas	<ul style="list-style-type: none"> Escoja Quick Dry (Secado rápido) o Time Dry (Secado cronometrado) para secar los cuellos y pretinas que estén húmedos. En el futuro, al secar una carga que contenga cuellos y pretinas, escoja More Dry (Más seco).
	La secadora no está nivelada	<ul style="list-style-type: none"> Mueva la secadora a un área con piso nivelado o ajuste las patas niveladoras como sea necesario hasta que se encuentre nivelada.

Problema	Causas posibles	Qué hacer
Las prendas están arrugadas	Sobresecado	<ul style="list-style-type: none"> • Seleccione un plazo de secado más breve. • Retire las prendas mientras están húmedas. Programe el ajuste a Less Dry (Menos seco) o Damp (Secado húmedo).
	Las prendas permanecen en la secadora después que ha terminado el ciclo	<ul style="list-style-type: none"> • Retire las prendas cuando finaliza el ciclo y doble o cuélguelas inmediatamente, o utilice la opción Ext Tumble/Wrinkle Care (Secado prolongado/Cuidado de Arrugas).
	Sobrecarga	<ul style="list-style-type: none"> • Separe las cargas más grandes en más pequeñas.
Las prendas se encogen	Algunas telas se encogen de manera natural cuando se lavan. Otras pueden lavarse sin problemas, pero se encogerán en la secadora	<ul style="list-style-type: none"> • Para evitar encoger las prendas, siga las instrucciones de las etiquetas exactamente. • Algunas prendas pueden plancharse nuevamente a su forma original después de secarlas. • Si tiene dudas sobre si una prenda en particular encogerá, no la lave a máquina ni la seque con giro.
Manchas de grasa en la ropa	Uso inapropiado de suavizador de telas	<ul style="list-style-type: none"> • Siga las direcciones en el envase del suavizador de telas.
	Secado de artículos sucios con limpios	<ul style="list-style-type: none"> • Utilice su secadora para secar únicamente artículos limpios. Los artículos sucios pueden manchar los artículos limpios y la secadora.
	Las prendas no están completamente limpias	<ul style="list-style-type: none"> • Algunas manchas que no se pueden ver cuando las prendas están mojadas aparecen después del secado. Utilice procedimientos apropiados de lavado antes del secado.
Pelusa en las prendas	El filtro de pelusa está lleno	<ul style="list-style-type: none"> • Limpie el filtro antes de cada carga.
	Clasificación incorrecta	<ul style="list-style-type: none"> • Clasifique las prendas que producen pelusa (como felpilla) de las prendas que juntan pelusa (como la pana).
	La electricidad estática puede atraer pelusa	<ul style="list-style-type: none"> • Consulte las sugerencias en esta sección bajo Ocurre estática.
	Sobrecarga	<ul style="list-style-type: none"> • Separe las cargas más grandes en menor tamaño.
	Papel, servilletas, etc., quedan dentro de los bolsillos de la ropa	<ul style="list-style-type: none"> • Vacíe todos los bolsillos antes de lavar la ropa.
Ocurre estática	No se utilizó ningún tipo de suavizador de telas	<ul style="list-style-type: none"> • Intente utilizar un suavizador de telas. • Bounce® Fabric Conditioner Dryer Sheets ha sido aprobado para ser usado con todas las Secadoras GE y cuando se usen de acuerdo con las instrucciones del fabricante.
	Sobresecado	<ul style="list-style-type: none"> • Intente utilizar un suavizador de telas. • Programe el ajuste a Less Dry (Menos seco) o Damp Dry (Secado húmedo).
	Artículos sintéticos, planchado permanente y combinaciones pueden causar estática	<ul style="list-style-type: none"> • Intente utilizar un suavizador de telas.
Los cuellos y pretinas aún se encuentran húmedos al final del ciclo	El monitor de sequedad detecta que el cuerpo de las prendas está seco	<ul style="list-style-type: none"> • Escoja Quick Dry (Secado rápido) o Time Dry (Secado cronometrado) para secar dejando húmedos los cuellos y pretinas. En el futuro, cuando seque una carga con cuellos y pretinas, escoja More Dry (Más seco).
Pequeña variación del color metálico.	Esto es normal.	<ul style="list-style-type: none"> • Debido a las propiedades metálicas de la pintura utilizada con este producto único, pueden ocurrir pequeñas variaciones de color debido ángulos de visualización y condiciones de iluminación.

Antes de llamar al servicio de asistencia técnica...

Problema	Causas posibles	Qué hacer
Durante un ciclo de vapor no pueden verse las prendas porque la puerta está muy cubierta por vapor.	El vapor se condensa en la puerta interna.	<ul style="list-style-type: none"> • Esto es normal.
Se ve agua dentro de la puerta y sobre el filtro de pelusa cuando se abre la puerta después del ciclo de vapor	El vapor se condensa sobre estas superficies.	<ul style="list-style-type: none"> • Esto es normal.
Pequeñas áreas de las prendas se encuentran húmedas después del ciclo de vapor	El vapor se condensa en el tambor interno.	<ul style="list-style-type: none"> • Si va a utilizar el ciclo Steam Dewrinkle (Desarrugar con vapor), reduzca manualmente el tiempo del ciclo. Si va a utilizar el ciclo garments to the load. Steam Refresh (Refrescar con vapor), agregue más prendas a la carga.
Hay una pequeña cantidad de agua sobre el piso frente a la secadora.	Tamaño de carga inadecuado para el ciclo de vapor seleccionado, el vapor excedente se condensa dentro del gabinete y se escapa.	<ul style="list-style-type: none"> • Si va a utilizar el ciclo Steam Dewrinkle (Desarrugar con vapor), reduzca manualmente el tiempo del ciclo. Si va a utilizar el ciclo Steam Refresh (Refrescar con vapor), agregue más prendas a la carga.
Hay agua en el piso en la parte trasera de la secadora	La conexión de manguera de agua a la válvula se encuentra floja.	<ul style="list-style-type: none"> • Ajuste la conexión.
	La manguera no cuenta con la arandela de goma en la conexión con la válvula.	<ul style="list-style-type: none"> • Instale la arandela de goma provista con la manguera.
Cae agua de la puerta cuando se la abre después de un ciclo de vapor.	El vapor se condensa en la puerta interna.	<ul style="list-style-type: none"> • Esto es normal.
No puede verse vapor al comienzo del ciclo	El vapor se libera en un momento diferente en el ciclo.	<ul style="list-style-type: none"> • Esto es normal.
Las prendas siguen arrugadas después de ciclo de vapor	Demasiadas prendas.	<ul style="list-style-type: none"> • Cargue menos prendas; incremente el tiempo manualmente.
No se ve vapor en ningún momento durante el ciclo	La boquilla de vapor puede estar bloqueada con suciedad proveniente del suministro de agua	<ul style="list-style-type: none"> • Llame al 800.GE.CARES para solicitar el kit de reemplazo de boquilla WE25M71 o para solicitar un técnico que lo reemplace por usted.
La secadora sigue girando después de que la pantalla indica Complete (finalización)	Se seleccionó Ext Tumble/Wrinkle Care (Secado prolongado/Cuidado de Arrugas) el secado prolongado.	<ul style="list-style-type: none"> • Asegúrese de que Ext Tumble/Wrinkle Care (Secado prolongado/Cuidado de Arrugas) la opción de secado prolongado no esté seleccionada. Para el ciclo Steam Refresh (Refrescar con vapor), se accionará automáticamente Ext Tumble/Wrinkle Care (Secado prolongado/Cuidado de Arrugas) el secado prolongado y no podrá apagarse.



Todos los servicios de garantía se ofrecen a través de nuestros centros de asistencia técnica o un técnico autorizado de Customer Care®. Para programar servicio de asistencia técnica, en línea, visite la página GEAppliances.com o llame al 800.GE.CARES (1.800.432.2737). Cuando llame para solicitar servicio, por favor tenga a mano el número de serie y el número de modelo.

Engrape el recibo aquí. Se necesita el comprobante con la fecha de compra original para que la garantía cubra los servicios.

Período:	Se sustituirá:
Un año Desde la fecha de compra original	Cualquier pieza de la secadora que falle debido a un defecto de los materiales o mano de obra. Durante esta garantía limitada de un año , GE también ofrece, en forma gratuita , toda la mano de obra y los costos de servicio para reemplazar la pieza defectuosa.

No se encuentra cubierto:

- Visitas a su hogar para enseñarle a usar el producto.
- Instalación, entrega o mantenimiento inadecuados.
- Fallas del producto debido a abuso, uso indebido, uso diferente para el que fue diseñado, o uso comercial.
- Recambio de la bombilla de luz después de su vida útil esperada.
- Reemplazo de fusibles domésticos o la reconfiguración de los interruptores de circuito.
- Daños al producto provocados por accidentes, incendios, inundaciones o fuerza mayor.
- Daños incidentales o resultantes provocados por posibles defectos en este artefacto.
- Daños provocados después de la entrega.
- Producto no accesible para prestar el servicio técnico solicitado.
- Defectos o daños causados por la operación en temperaturas bajo cero C.
- Productos que no están defectuosos o dañados o que funcionan según la descripción del Manual del usuario.

EXCLUSIÓN DE GARANTÍAS IMPLÍCITAS—Su único y exclusivo derecho es la reparación del producto, tal y como se indica en esta Garantía limitada. Cualquier garantía implícita, incluyendo las garantías implícitas de comerciabilidad o adecuación para un fin determinado, están limitadas a un año o el período de tiempo más breve permitido por la ley.

Esta garantía se extiende al comprador original y cualquier comprador posterior de productos comprados para uso residencial dentro des Estados Unidos. Si el producto está situado en un área que no dispone de servicio por parte de un proveedor de servicio autorizado de GE, podría tener que hacerse cargo de los costes de envío o bien podría solicitársele que lleve el producto a una centro de servicio de GE autorizado para realizar la reparación. En Alaska, la garantía excluye el costo de envío o las visitas de servicio a su casa.

Algunos estados no permiten la exclusión o las limitaciones de daños incidentales o consecuenciales. Esta garantía da derechos legales específicos, y usted podría tener otros derechos que variarán de estado a estado. Para saber cuáles son sus derechos legales, consulte a la oficina de asuntos del consumidor local o la oficina del Procurador (Attorney General) en su localidad.

Garante: General Electric Company. Louisville, KY 40225

Soporte al consumidor.



Página Web de GE Appliances

GEAppliances.com

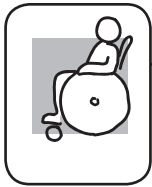
¿Tiene alguna pregunta sobre su electrodoméstico? ¡Pruebe la página Web de GE Appliances, cualquier día del año! Para mayor conveniencia y servicio más rápido, ya puede descargar los Manuales de los Propietarios, pedir piezas o incluso hacer una cita en línea para que vengan a realizar una reparación.



Solicite una reparación

GEAppliances.com

El servicio de expertos GE está a tan sólo un paso de su puerta. ¡Entre en línea y solicite su reparación cuando le venga cualquier día del año! O llame al 800.GE.CARES (800.432.2737) durante horas normales de oficina.



Real Life Design Studio (Estudio de diseño para la vida real) **GEAppliances.com**

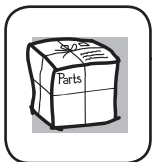
GE apoya el concepto de Diseño Universal—productos, servicios y ambientes que pueden usar gente de todas las edades, tamaños y capacidades. Reconocemos la necesidad de diseñar para una gran gama de habilidades y dificultades físicas y mentales. Para más detalles sobre las aplicaciones de GE Diseño Universal, incluyendo ideas de diseño para la cocina para personas con discapacidades, mire nuestra página Web hoy mismo. Para personas con dificultades auditivas, favor de llamar al 800.TDD.GEAC (800.833.4322).



Garantías ampliadas

GEAppliances.com

Compre una garantía ampliada y obtenga detalles sobre descuentos especiales disponibles mientras su garantía está aún activa. Puede comprarla en línea en cualquier momento, o llamar al 800.626.2224 durante horas normales de oficina. GE Consumer Home Services estará aún ahí cuando su garantía termine.



Piezas y accesorios

GEAppliances.com

Aquellos individuos con la calificación necesaria para reparar sus propios electrodomésticos pueden pedir que se les manden las piezas o accesorios directamente a sus hogares (aceptamos las tarjetas VISA, MasterCard y Discover). Haga su pedido en línea hoy, 24 horas cada día o llamar por teléfono al 800.626.2002 durante horas normales de oficina.

Las instrucciones descritas en este manual cubren los procedimientos a seguir por cualquier usuario. Cualquier otra reparación debería, por regla general, referirse a personal calificado autorizado. Debe ejercerse precaución ya que las reparaciones incorrectas pueden causar condiciones de funcionamiento inseguras.



Póngase en contacto con nosotros

GEAppliances.com

Si no está satisfecho con el servicio que recibe de GE, póngase en contacto con nosotros en nuestra página Web indicando todos los detalles así como su número de teléfono o escríbanos a:

General Manager, Customer Relations
GE Appliances, Appliance Park
Louisville, KY 40225



Registre su electrodoméstico

GEAppliances.com

¡Registre su nuevo electrodoméstico en línea—cuando usted prefiera! El registrar su producto a tiempo le proporcionará, si surgiera la necesidad, una mejor comunicación y un servicio más rápido bajo los términos de su garantía. También puede enviar su tarjeta de registro pre-impresa que se incluye en el material de embalaje.