

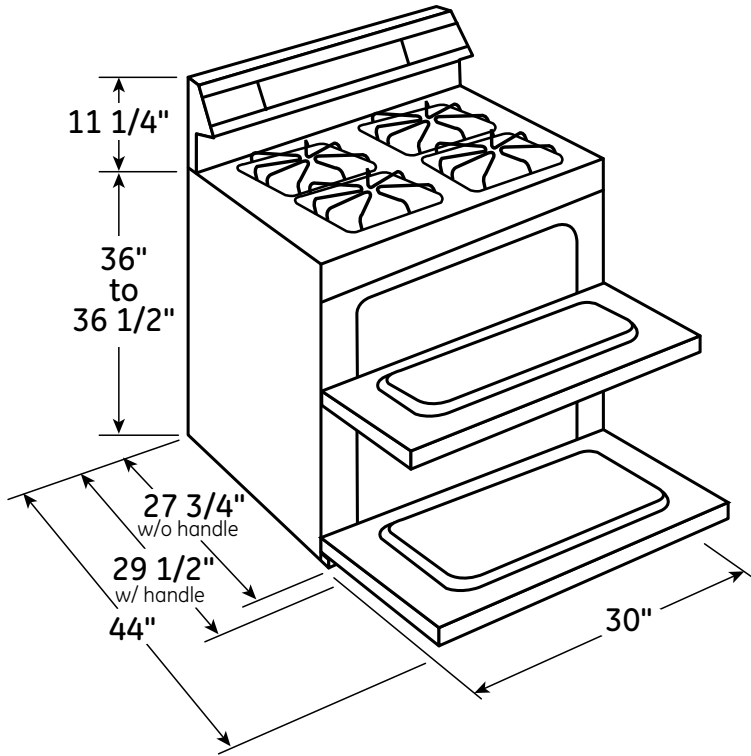
PGB950DEF

GE Profile™ Series 30" Free-Standing Gas Double Oven with Convection Range

Dimensions and Installation Information (in inches)

Electrical Rating: 120V, 60Hz, 15A

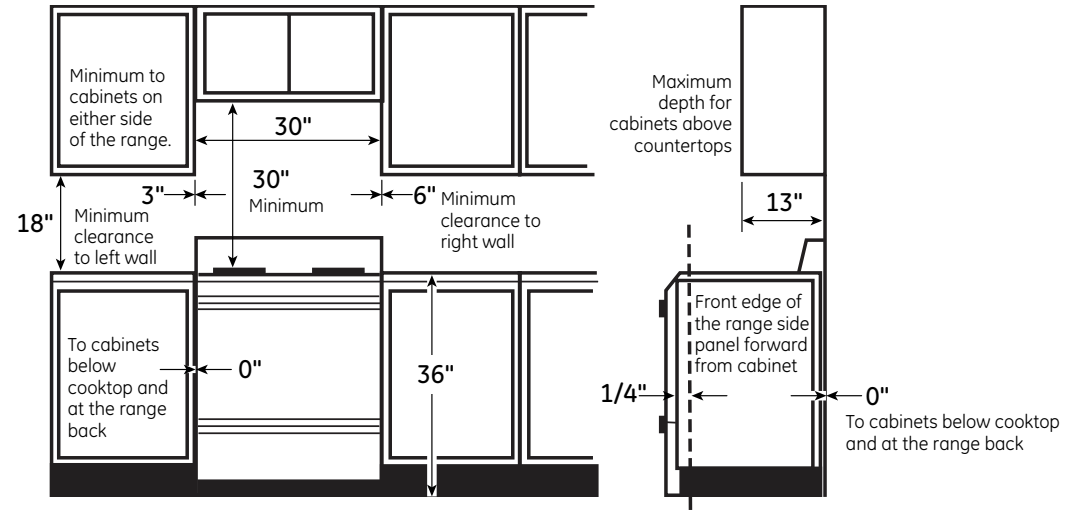
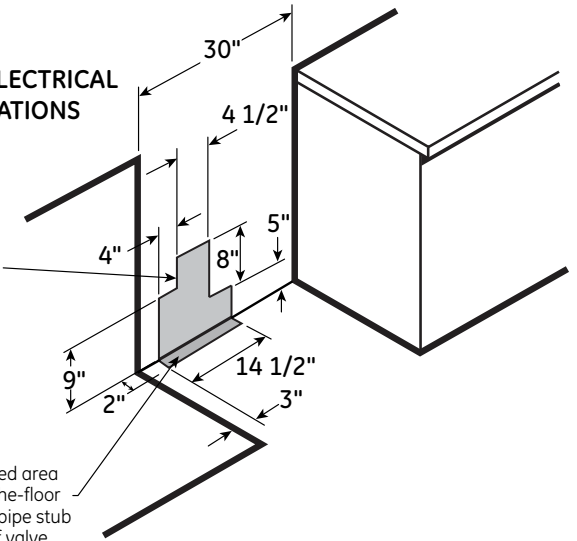
Installation Information: Before installing, consult installation instructions packed with product for current dimensional data.



GAS PIPE AND ELECTRICAL OUTLET LOCATIONS

Recommended area for 120V outlet on rear wall and area for through-the-wall connection of pipe stub and shut-off valve.

Recommended area for through-the-floor connection of pipe stub and shut-off valve.



imagination at work

For answers to your Monogram® or GE® appliance questions, visit our website at geappliances.com or call GE Answer Center® service, 800.626.2000.



All GE ranges are equipped with an Anti-Tip device. The installation of this device is an important, required step in the installation of the range.



Specification Revised 10/13

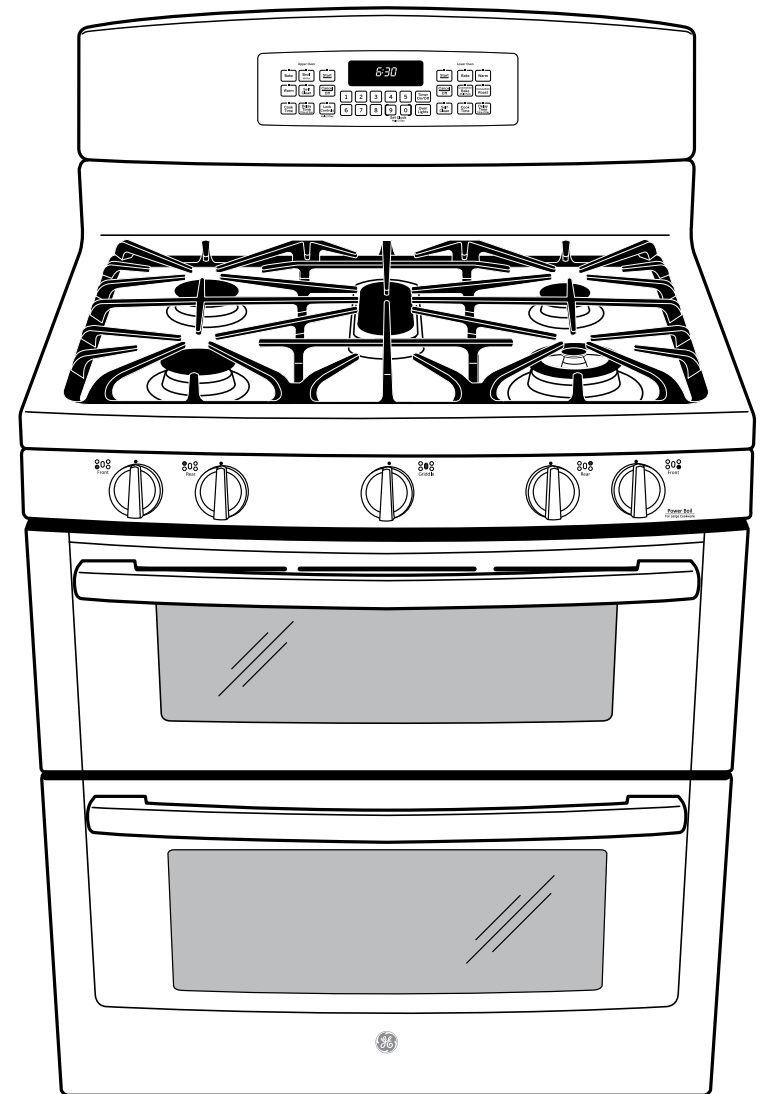
230535

PGB950DEF

GE Profile™ Series 30" Free-Standing Gas Double Oven with Convection Range

Features and Benefits

- Double Oven 6.8 cu. ft. Total Capacity - Large capacity is ideal for big meals
- 19,000 BTU Tri-Ring Burner - Offers the flexibility of three different burners
- Reversible Cast-Iron Griddle/Grill - Two great ways to cook
- Center Oval Burner - Large oval fifth burner is ideal for griddle or odd-size cookware
- Precise Simmer Burner - Delicate foods don't burn with low, even heat
- Self-Clean Heavy-Duty Roller Rack - Easily access items with a rack that glides smoothly
- Stainless Steel, Deep-Recessed Cooktop - Contains spills for quick and easy cleaning
- Gas Convection Oven - Circulates heat for high-quality results
- Dual Broil - Meats and veggies broil evenly
- Black Gloss Oven Interior - Enjoy a clean and sleek appearance
- Model PGB950DEFWW - White on white
- Model PGB950DEFBB - Black on black



imagination at work